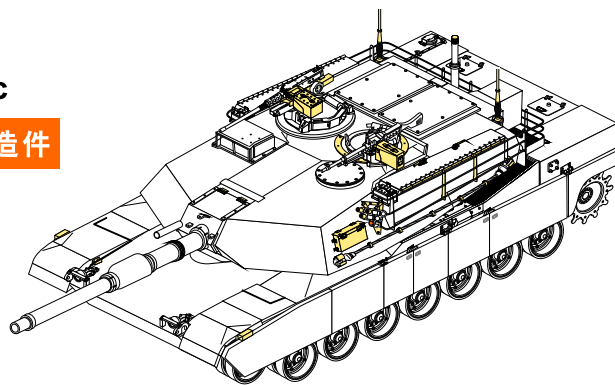


1/35 MILITARY MINIATURE VEHICLE UPGRADE SERIES PE35415

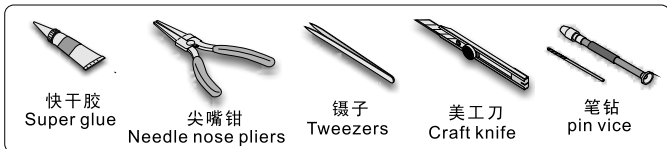
Modern US Army M1A1 AIM Abrams Basic

现代美军M1A1 AIM艾布拉姆斯主战坦克基本改造件

[For DRAGON 3535]



■ 推荐使用工具 RECOMMENDED TOOLS














快干胶
Super glue


尖嘴钳
Needle nose pliers

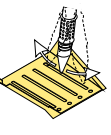
镊子
Tweezers

美工刀
Craft knife

笔钻
pin vice


- 
安装
install
- 
折叠
bend
- A1**
改造件零件编号
PE/resin part number
- B12**
原零件编号
kit part number
- C22**
被替换的原零件编号
replaced kit part number
- 
切除
remove
- 
打磨
grind off
- 
弧度卷曲
radial bending
- x2**
制作若干组
multiple assembly
- 
另一侧相同制作
repeat on opposite side
- 
选择安装
alternative
- 
注意
caution
- 
扩孔
ream
- 
钻孔
drill
- 
填补
fill

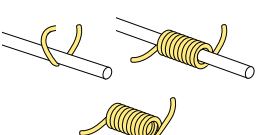
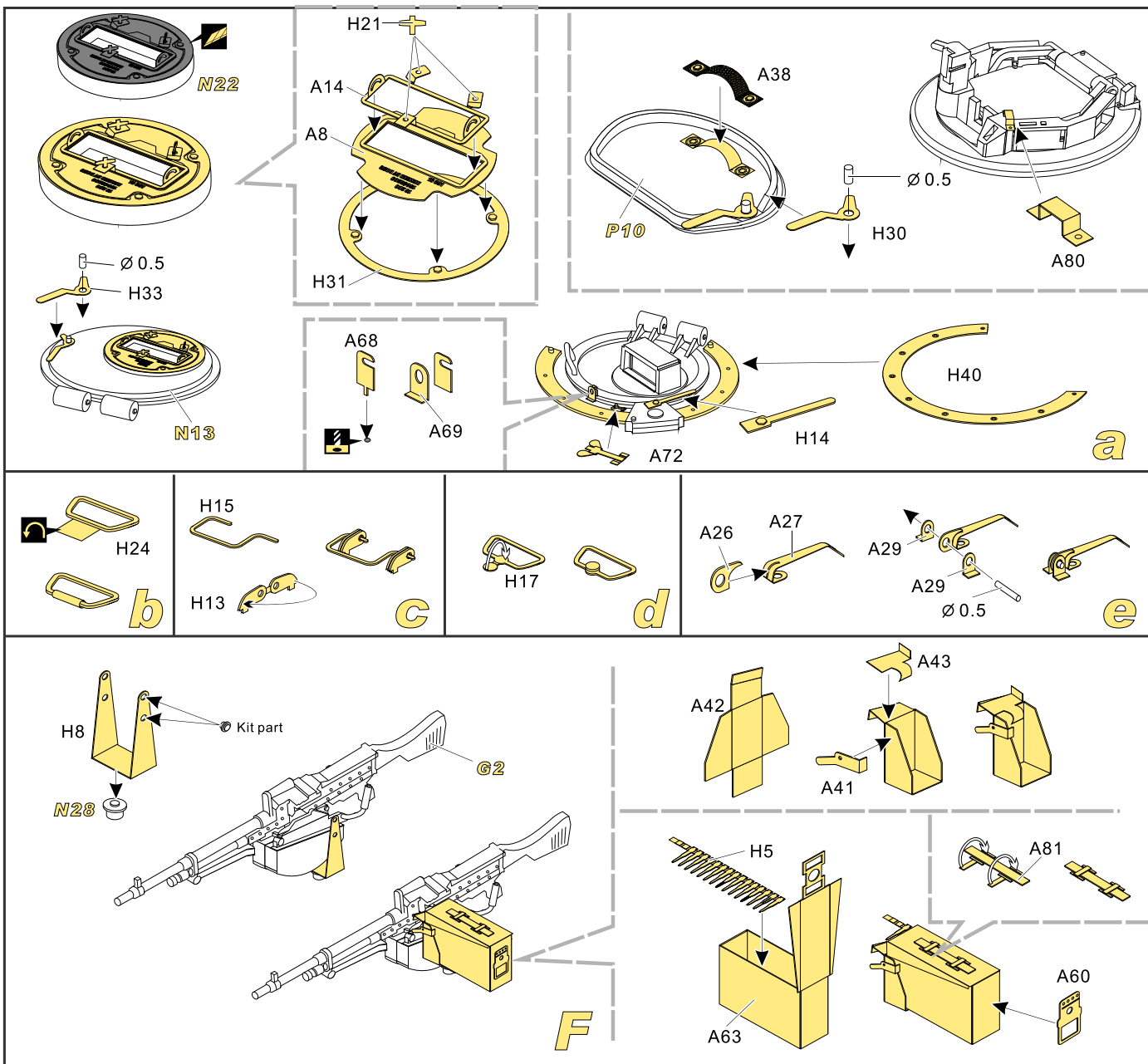
 用尖端在凹槽处冲压
use penpoint to press on the dent



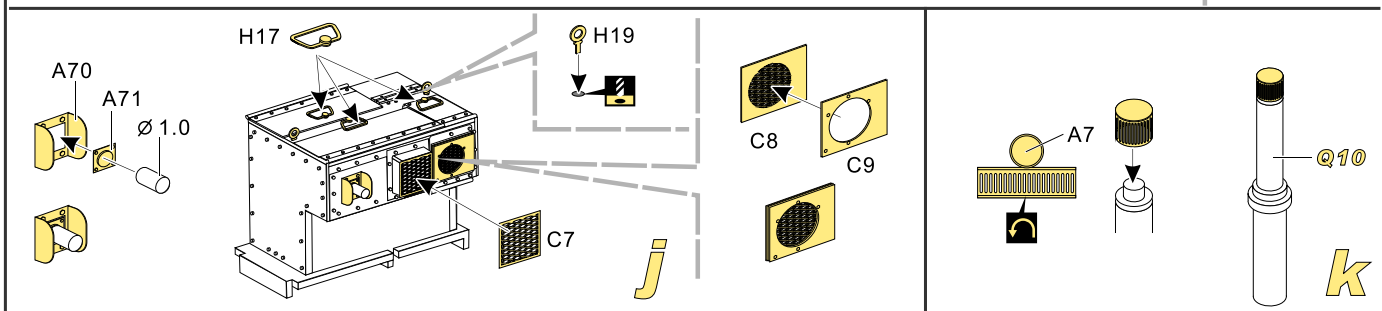
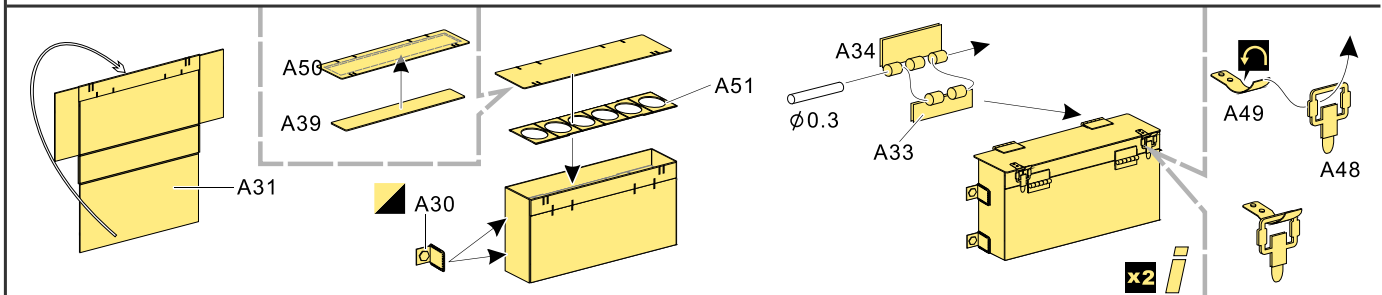
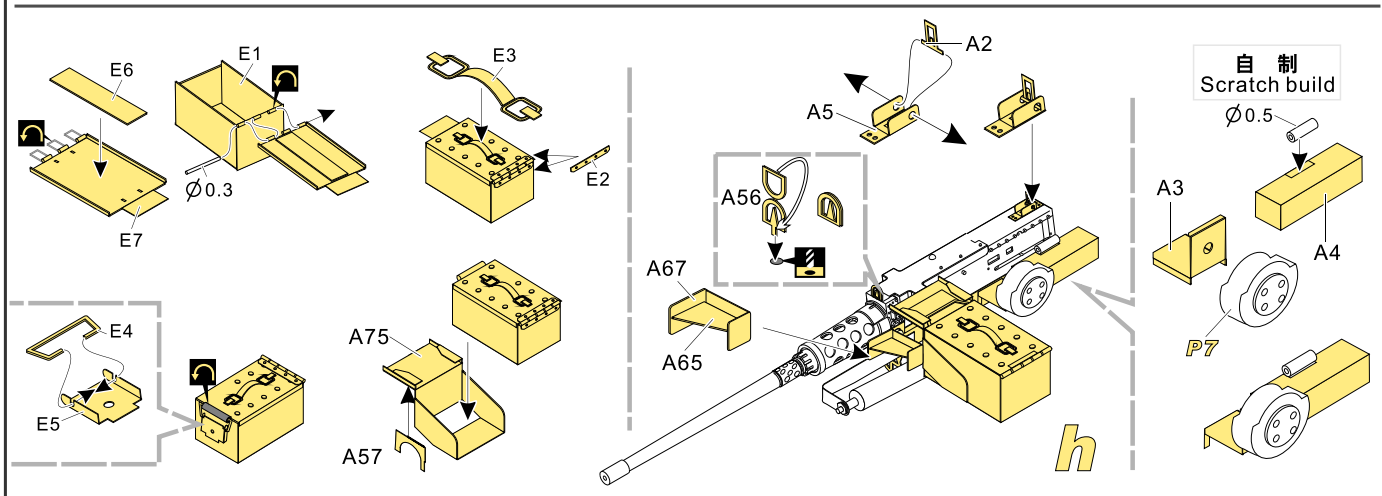
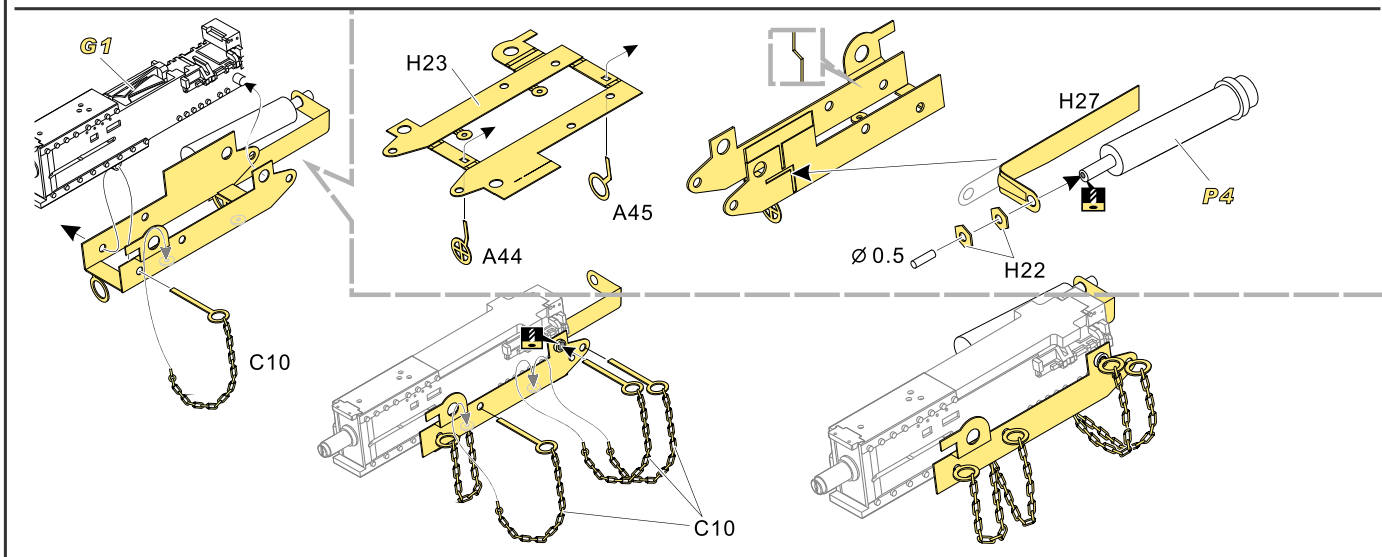
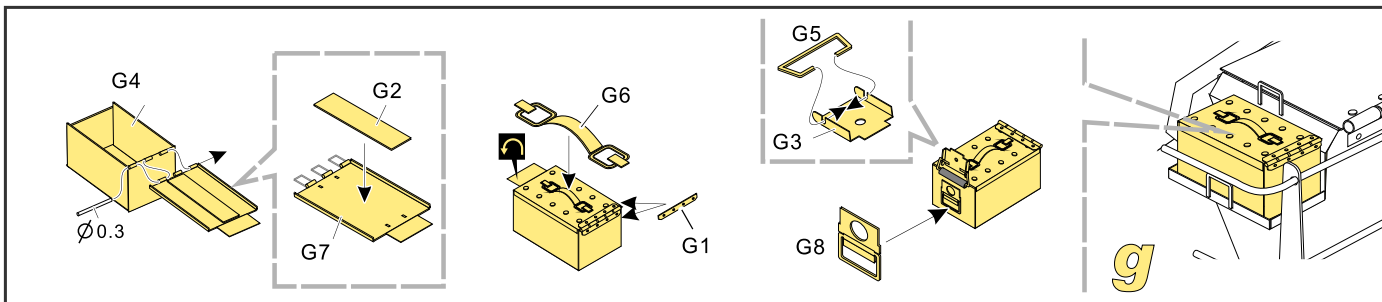
蚀刻片零件内面向上
Put the part upside down

用笔尖在凹槽处刺
Use penpoint to press on the dent

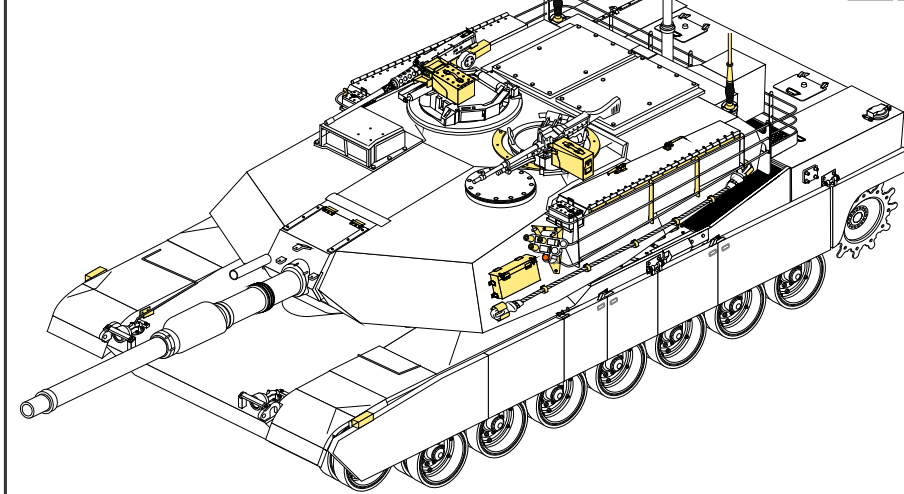
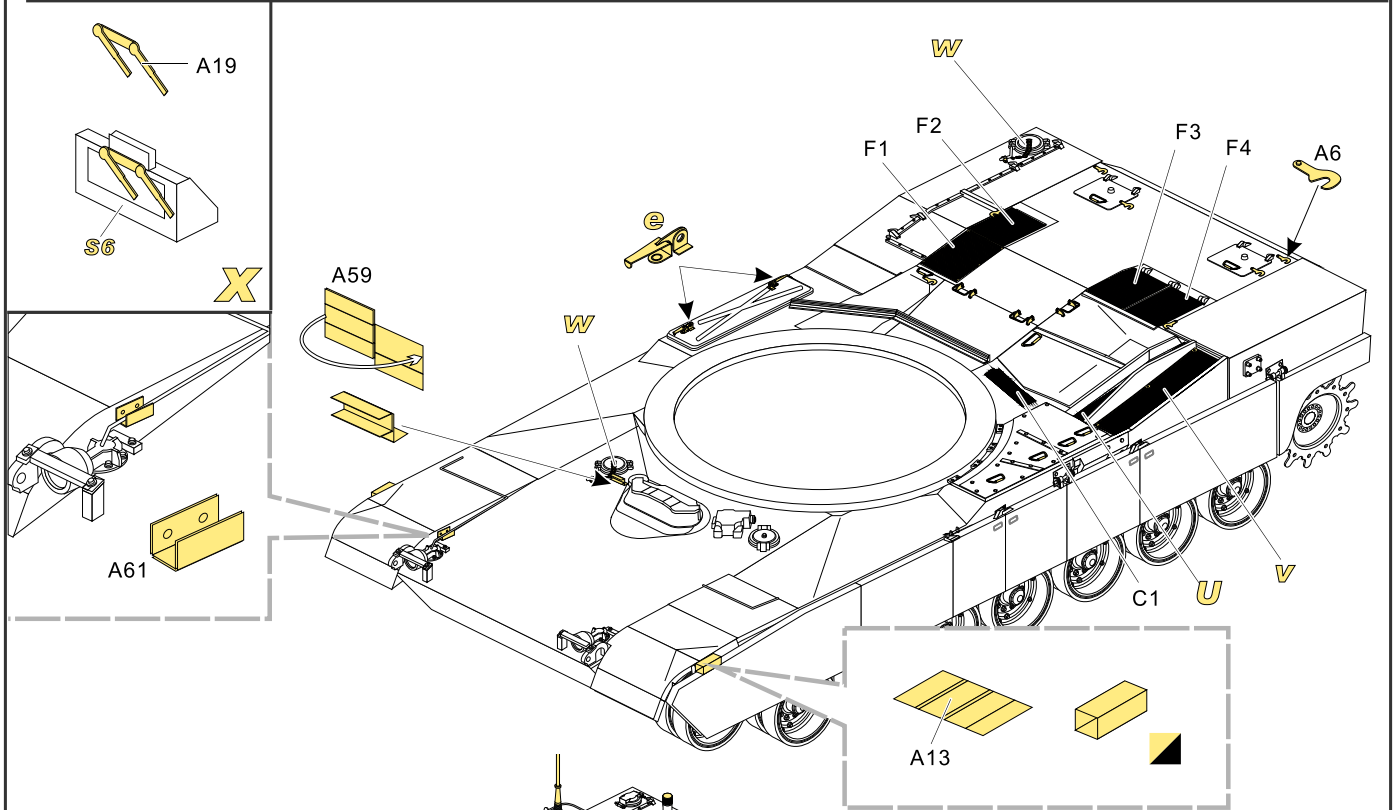
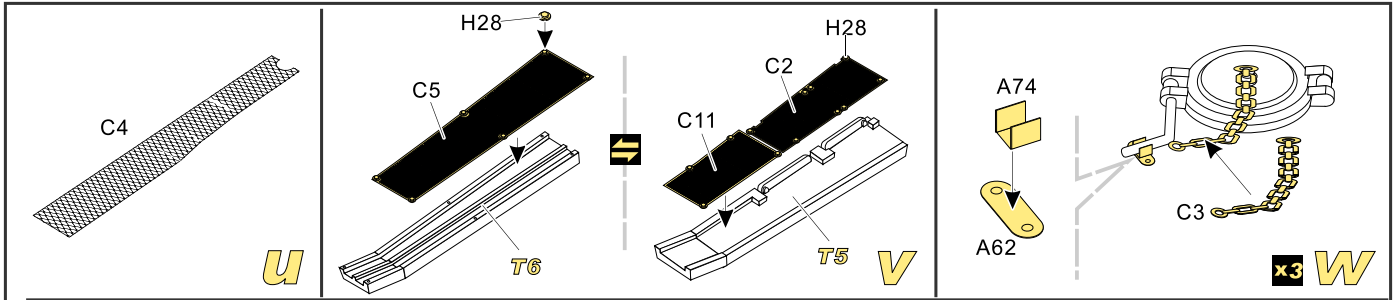
 制作线圈
make coil

1/35 MILITARY MINIATURE VEHICLE UPGRADE SERIES PE35415



1/35 MILITARY MINIATURE VEHICLE UPGRADE SERIES PE35415



VOYAGERMODEL® 无微不至 悦享享受

Recommended item

VBS0163	Modern US M256 120mm M1 Abrams Gun Barrel w/smoke discharger
VBS0164	Modern US M256 120mm M1 Abrams Gun Barrel w/M2 Browning Machine Gun
PE35416	Modern US Army M1A2 SEP Abrams Basic
PE35417	Modern USMC M1A1 TUSK1 Abrams Basic
PE35418	Modern US M1A1 TUSK1 Abrams Basic
PE35419	Modern US M1A2 TUSK2 Abrams Basic
PEA148	Modern US Army M1A1&M1A2 side skirts
PEA258	Modern US Army M1A1/ M1A2 stowage bin/baskets/CIP

