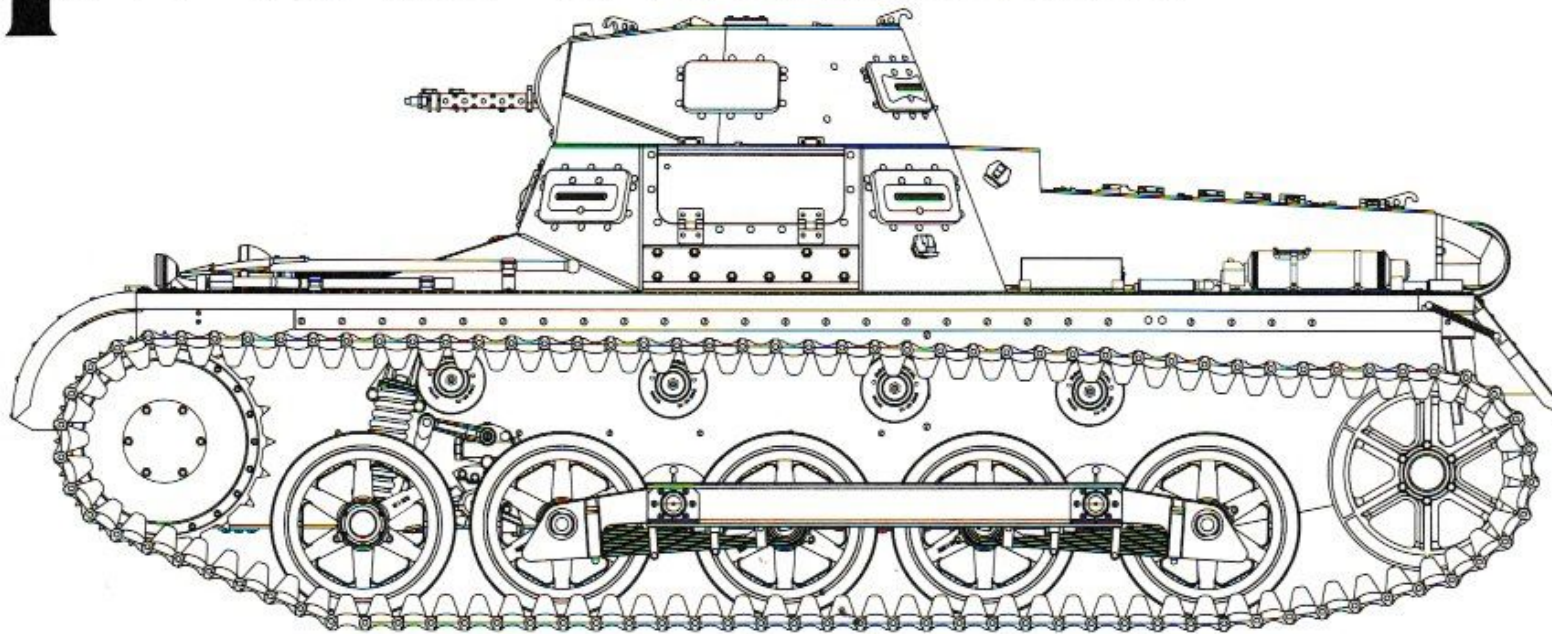


# Pz.Kpfw.I Ausf.B

LIMITED EDITION



In 1930, Krupp was selected by Waffenpruefwesen 6 (the automotive and tank design office of the German army) to work on the design of a small light tracked tractor named Kleintraktor. It was to be equipped with a 20 mm (0.79 in) auto-cannon, powered by a 60 hp engine and weigh no more than 3000 kg. A year later, in 1931, Krupp sent a description of the Kleintraktor-Fahrgestell (chassis) to Wa.Prw.6. The Krupp Kleintraktor was described as a fast and maneuverable tracked vehicle that weighed about 3.5 tons and could achieve 45 km/h (28 mph). The hull of the tank was made of welded steel plates, it was armed with a 20 mm (0.79 in) auto-cannon and carried 500 rounds.

As development proceeded, several prototypes were made, with some flaws being removed from the tank. The turret was redesigned to fit 2 machine guns and armor protection was increased. In 1933, the Panzer I was considered ready and an order was placed for 150 training tanks, with another 1000 combat-ready tanks being ordered the following year. Neither of these orders were fully delivered.

The Panzerkampfwagen I Ausf.A went into production in late 1934 and continued until early 1936. Around 800 examples were built, having several limitations. The armour was insufficient, being only 13 mm (0.51 in) at its thickest. There were problems with the early suspension, making the tank pitch backwards at high speeds. There were also concerns about the propulsion, overheating, the commander being both gunner and loader of the two machine guns, and communication going through old-fashioned vocal tubes. With its two machine guns, light armor and speed, these machines were nothing more than training and scout tanks. Despite this, most of them fought in regular Panzer divisions alongside the improved Ausf.B until late 1941.

Many of the flaws of the Ausf. A were addressed with the introduction of the Ausf. B. This variant first appeared in 1936 and was built until 1938, with around 675 machines produced. The main difference was a longer chassis (by 40 cm), requiring the addition of one more bogie wheel and improved suspension in order to accommodate the much improved water-cooled, six-cylinder Maybach NL 38 TR delivering 90 bhp, along with a new & improved transmission. The weight rose to 5.8 tons, but neither the armament nor armor were modified.

03.02.2145B

# READ BEFORE ASSEMBLY

## CAUTION

- Read carefully and fully understand the instructions before commencing assembly. A supervising adult should also read the instructions if a child assembles the model.
- When assembling this kit, tools including knives used. Extra care should be taken to avoid personal injury.
- Keep out of reach of small children. Children must not be allowed to suck any part, or pull vinyl bag over their heads.



Be Careful



Instant Glue for Metal

## PAINTS REQUIRED

Color info and profiles by Mig Jimenez

A.MIG-0033 Rubber & Tires

A.MIG-0035 Dark Tracks

A.MIG-0045 Gun Metal

A.MIG-0041 Dark Rust

A.MIG-0195 Silver

A.MIG-0008 RAL 7021 Olivgrun apt.1

A.MIG-0007 RAL 7017 Dunkelbraun

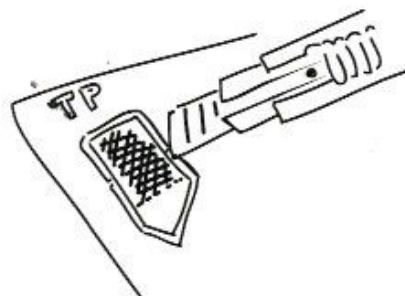
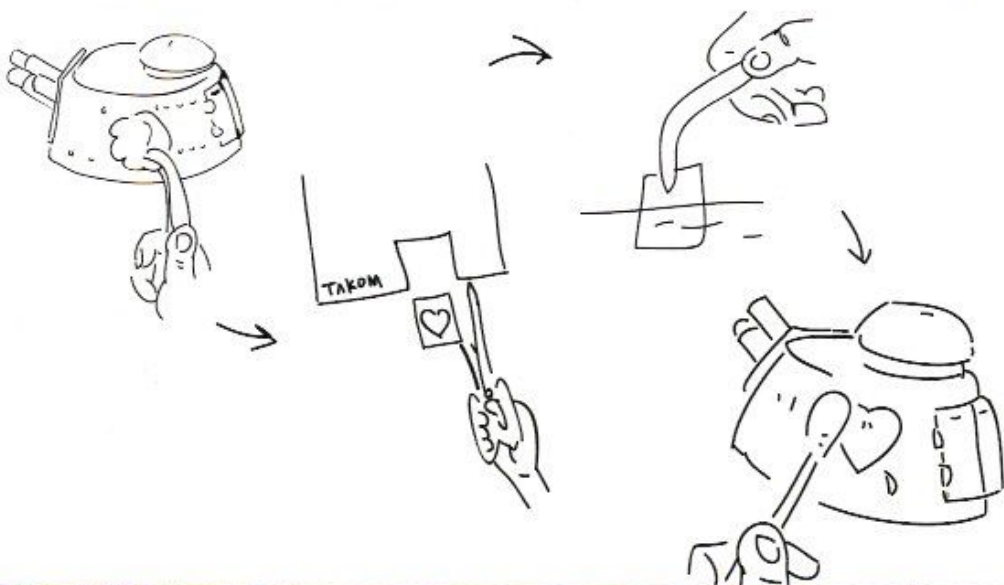
A.MIG-0036 Old Wood

A.MIG-0093 Crystal Red

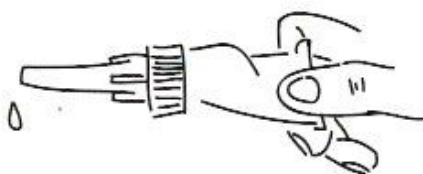
## APPLYING DECALS

## REMOVING PE

1. Clean the model surface with a wet cloth.
2. Cut out each decal design from sheet, and dip it in tepid water for 15~20 sec.
3. Hold the backing sheet edge and slide decal onto the model.
4. Move decal into position by wetting decal with finger.
5. Press decal gently down with a soft cloth until excess water and air bubbles are gone.



Be careful not to hurt when removing PE parts.

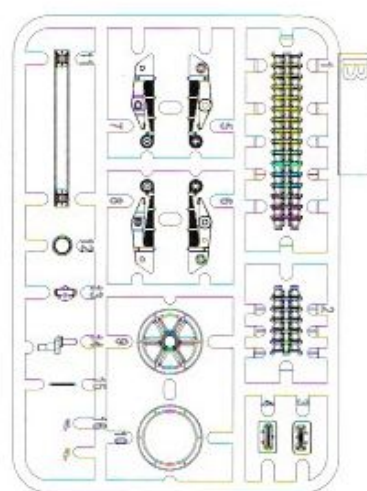
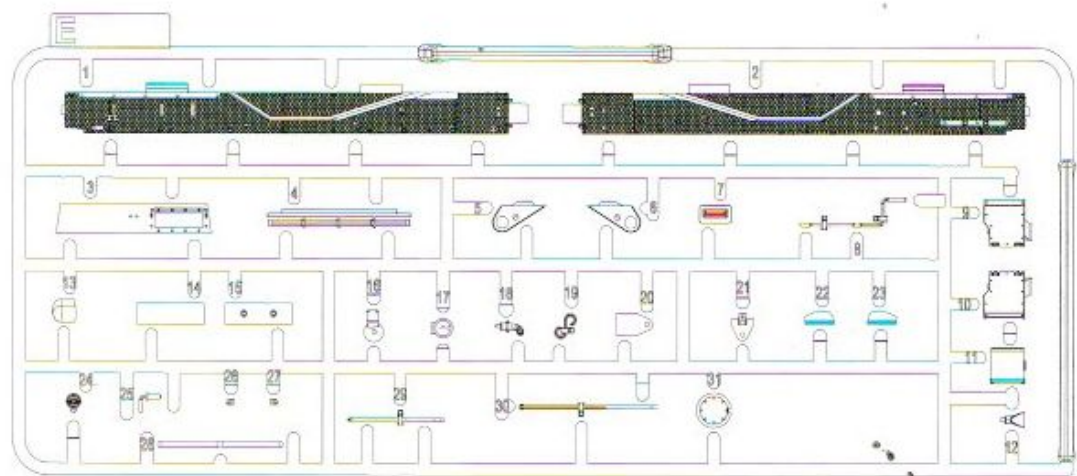


Secure using instant glue (not included).

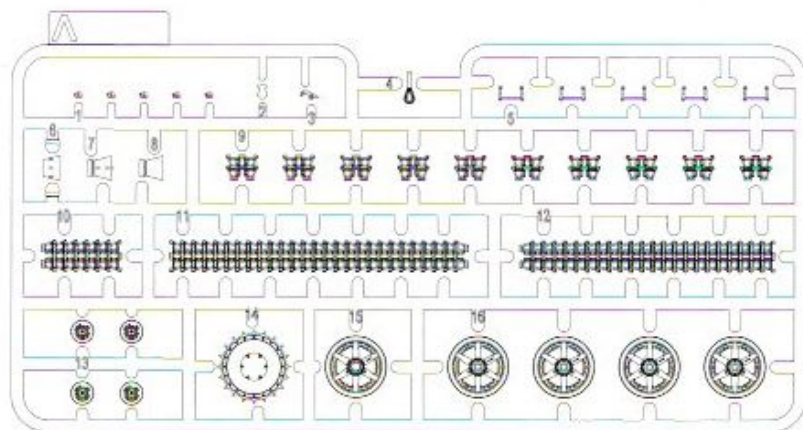
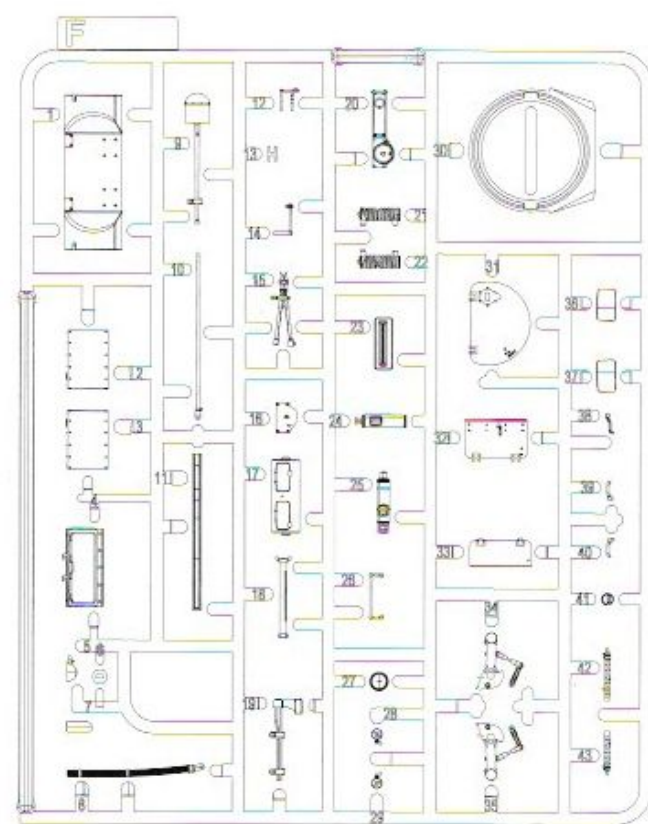


Finish using file.

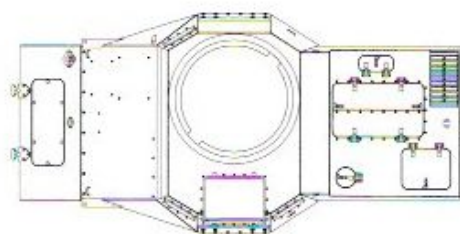
# PARTS



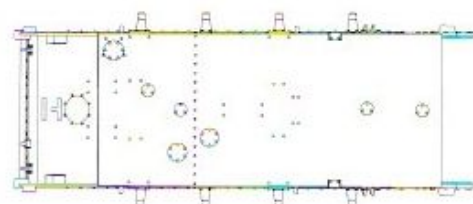
X2



X2



Upper Hull



Lower Hull



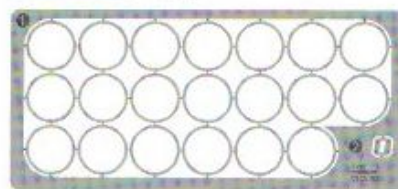
Turret



Cable



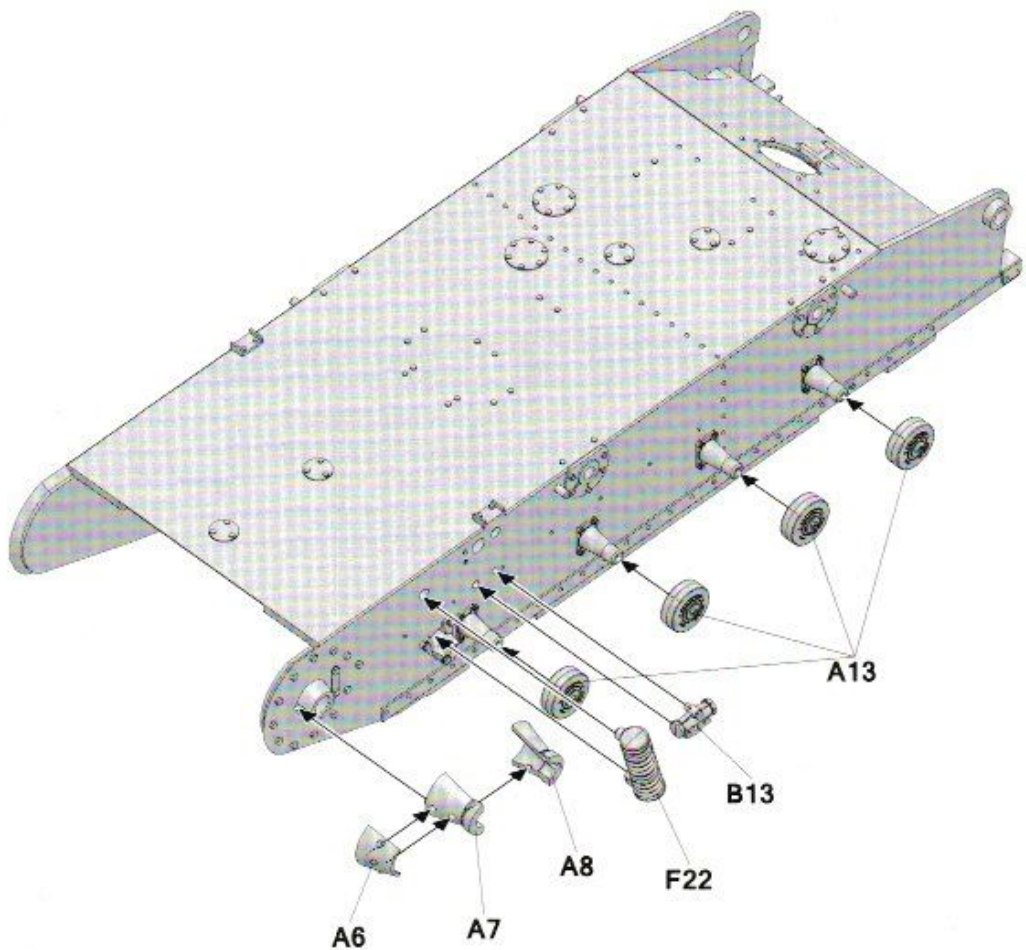
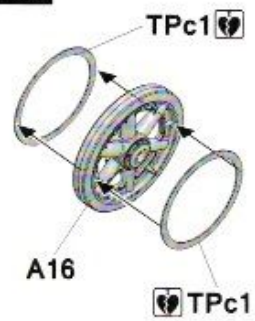
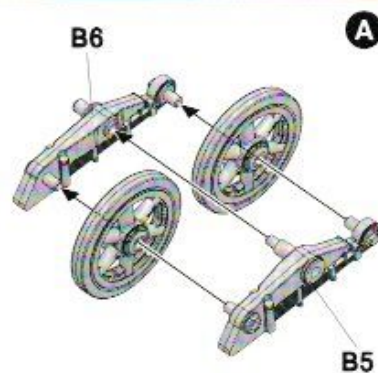
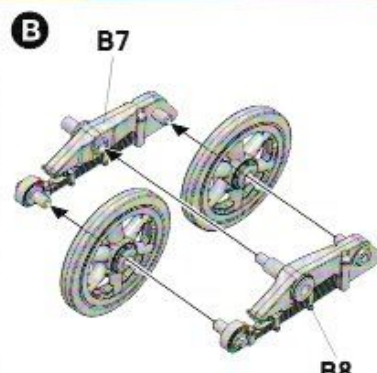
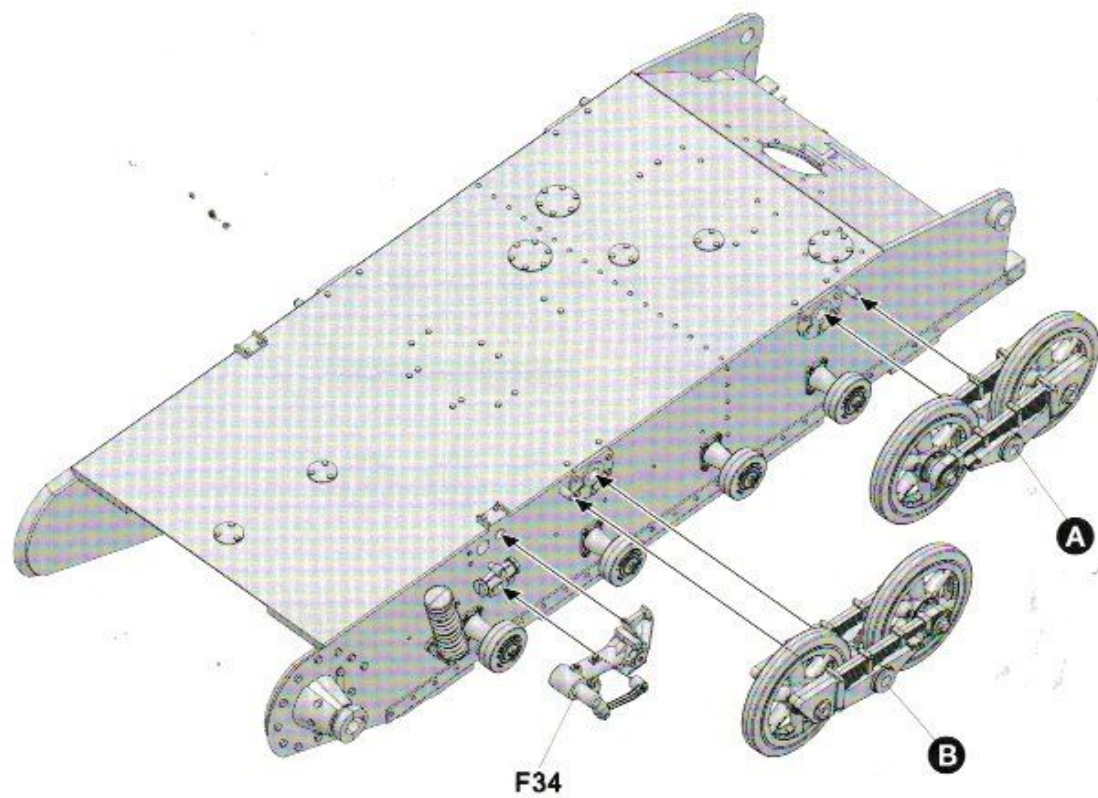
TPb

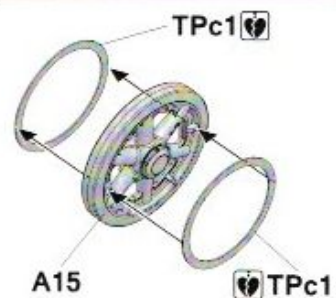
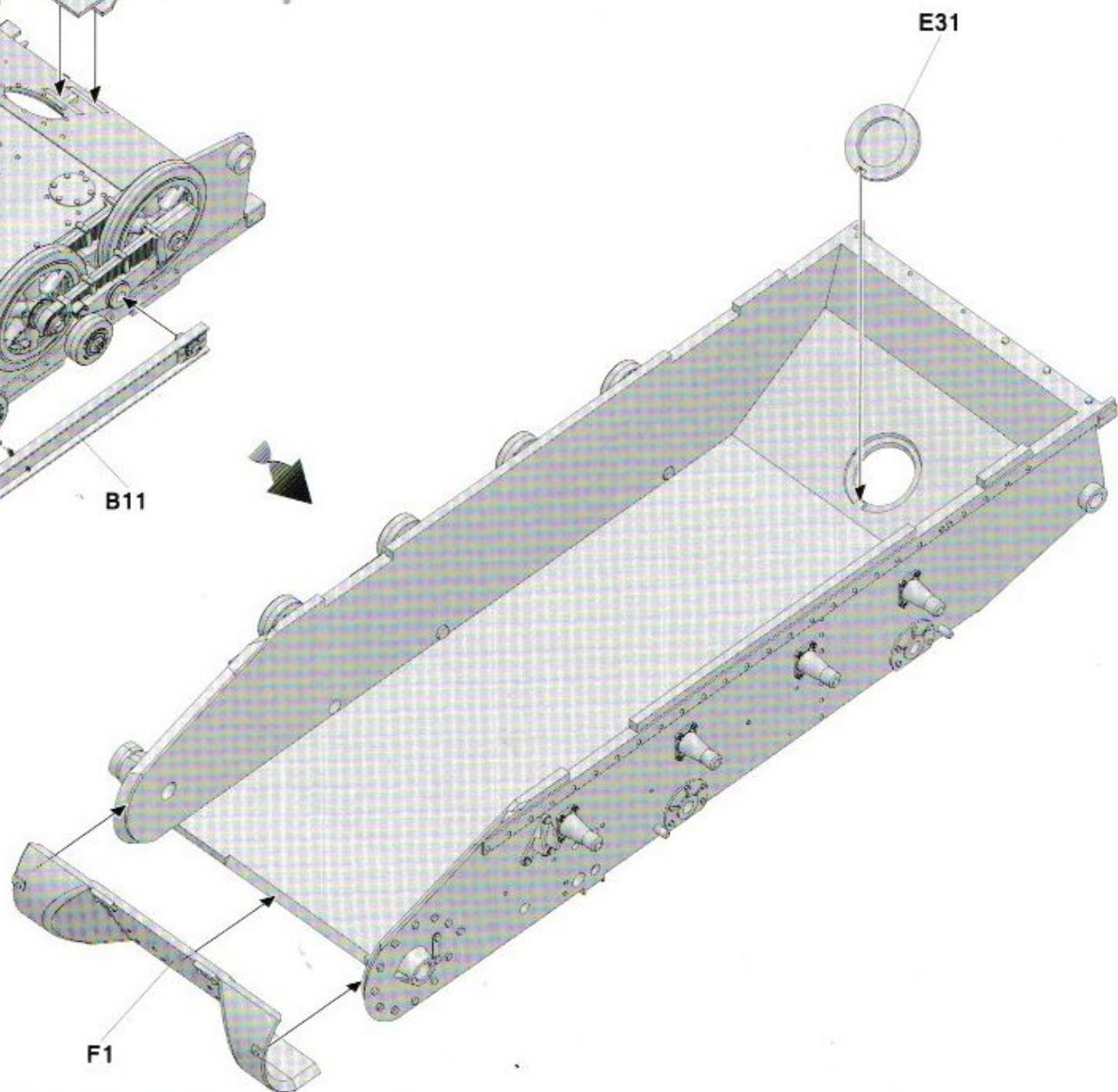
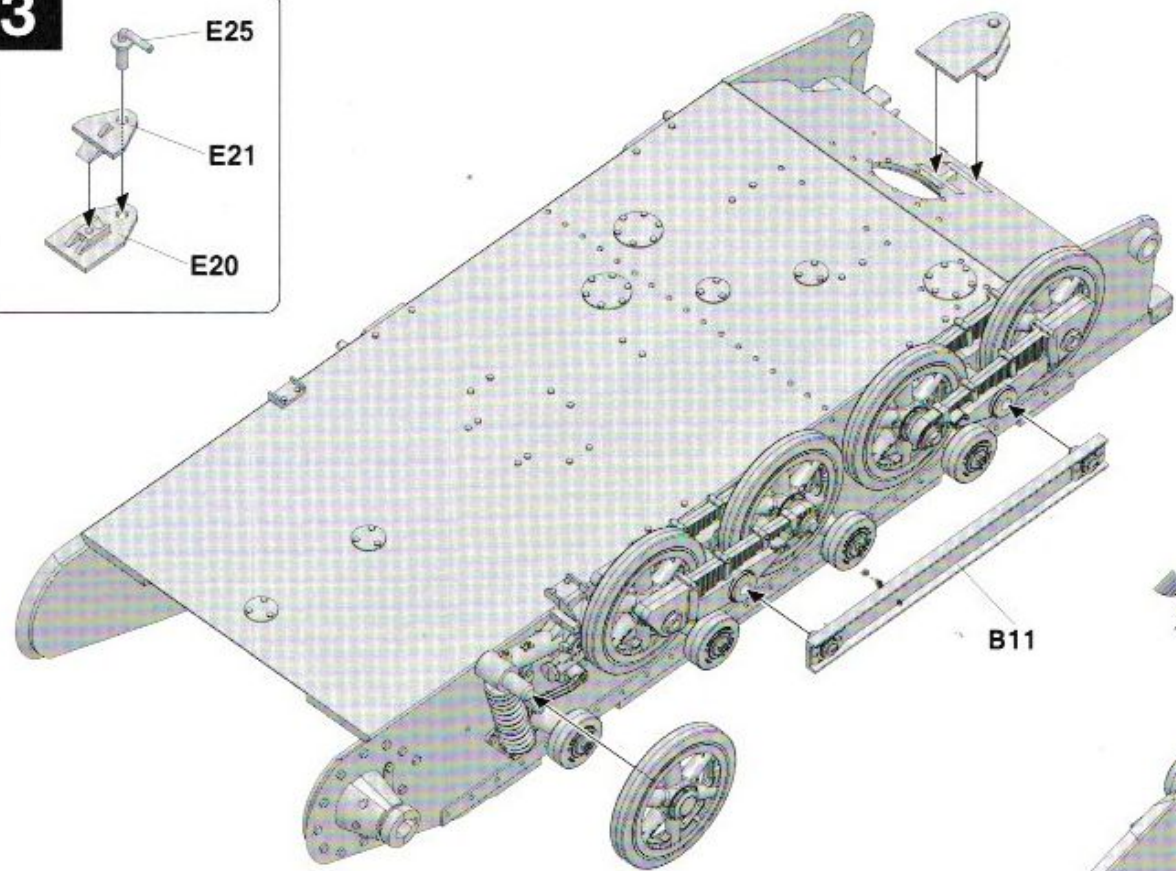
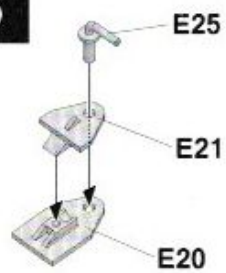


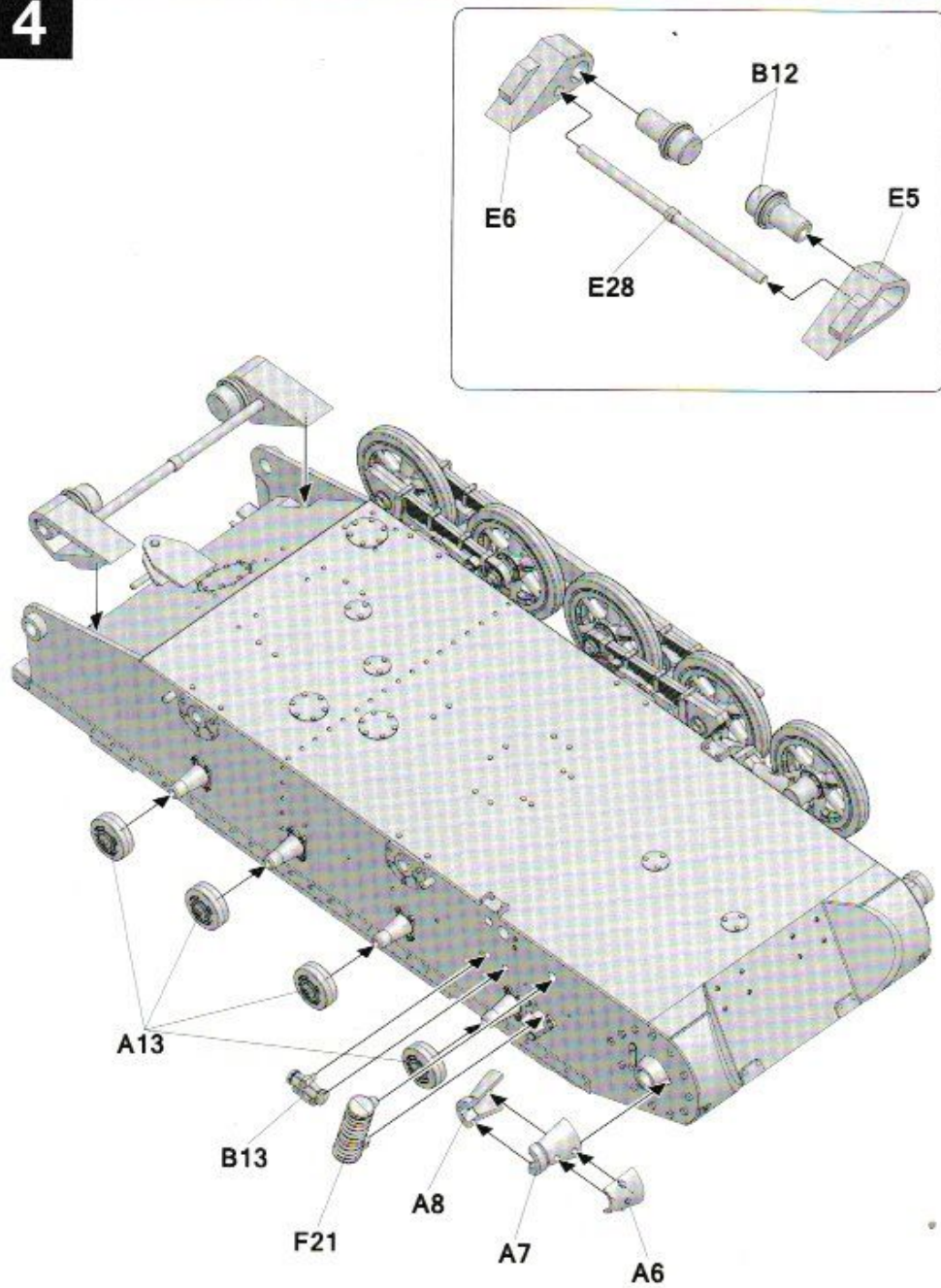
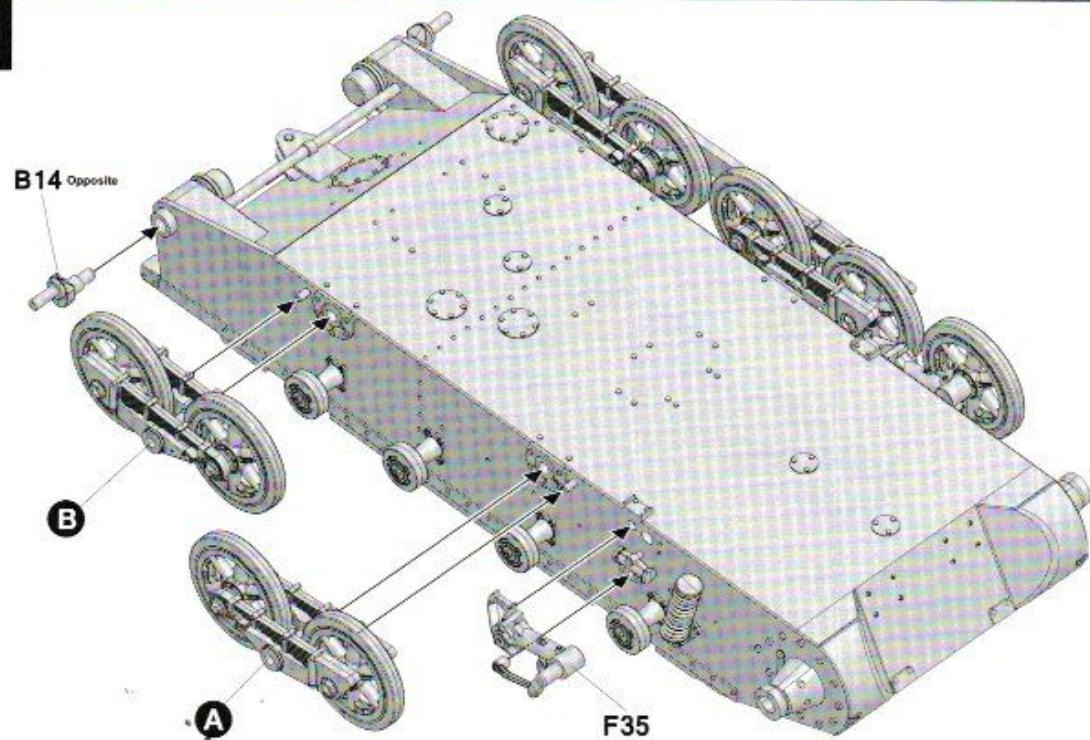
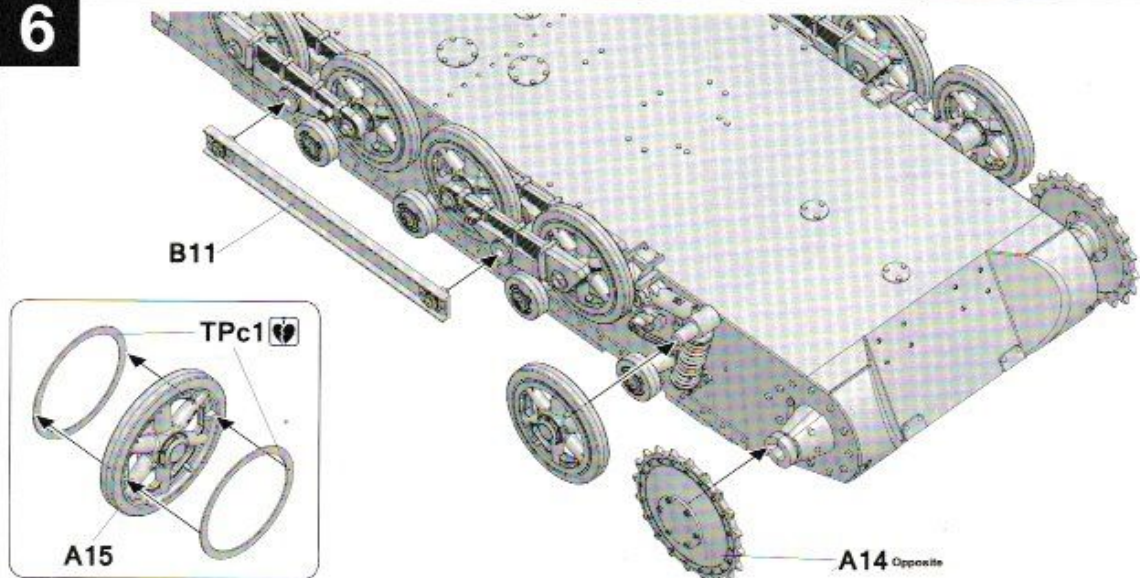
TPc



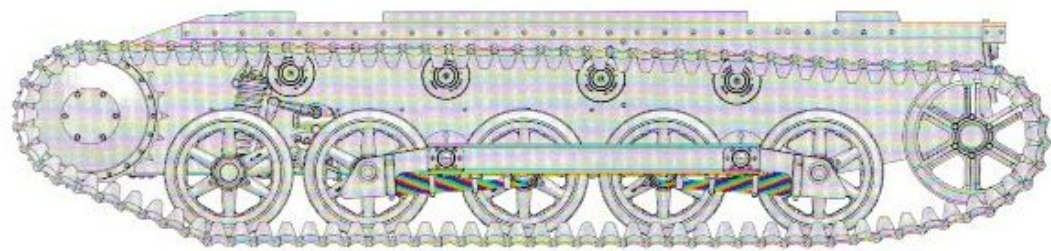
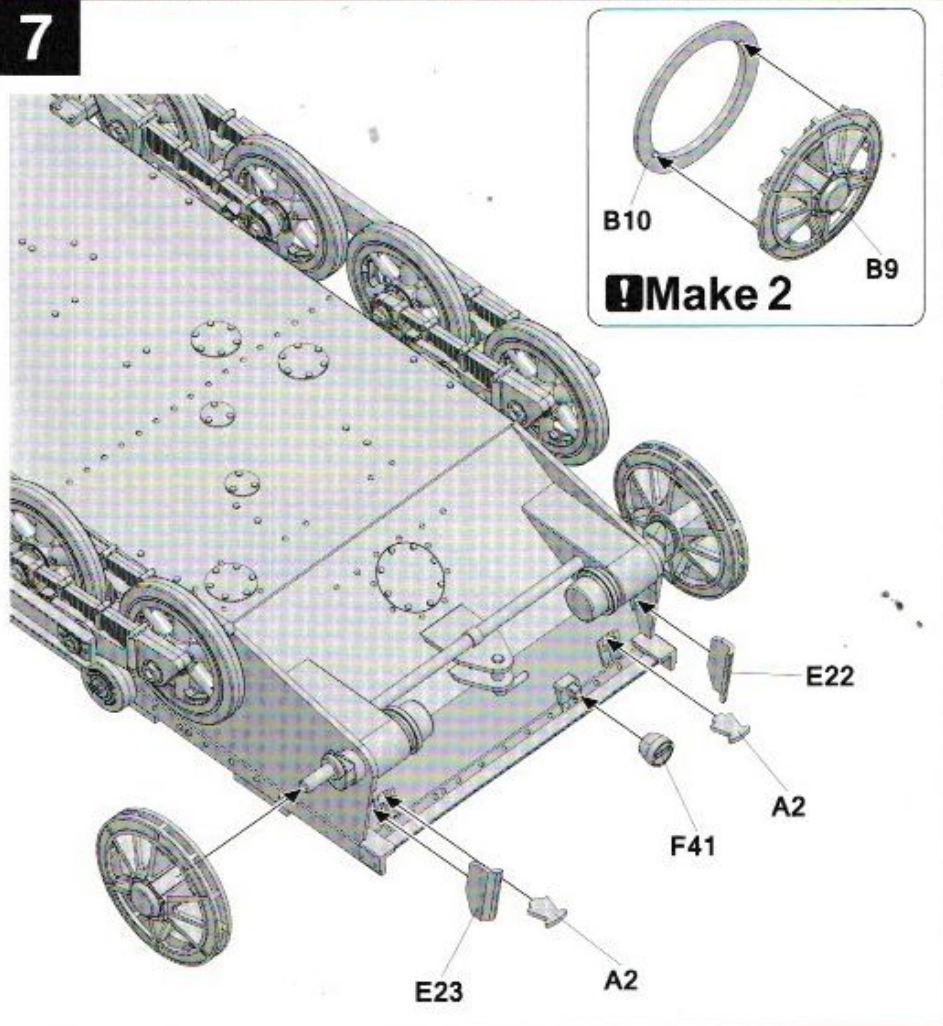
Decal

**1****2****Make 8****Make 2****Make 2****3**

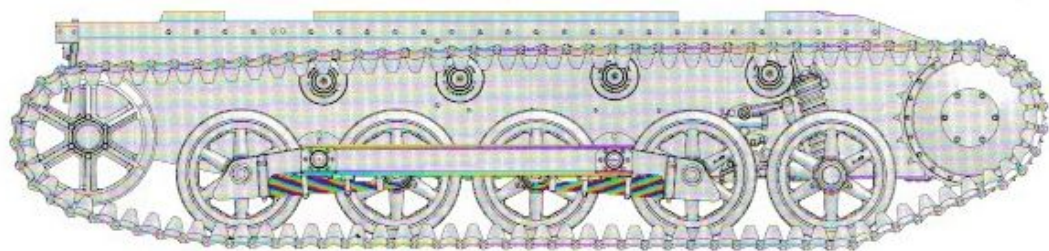
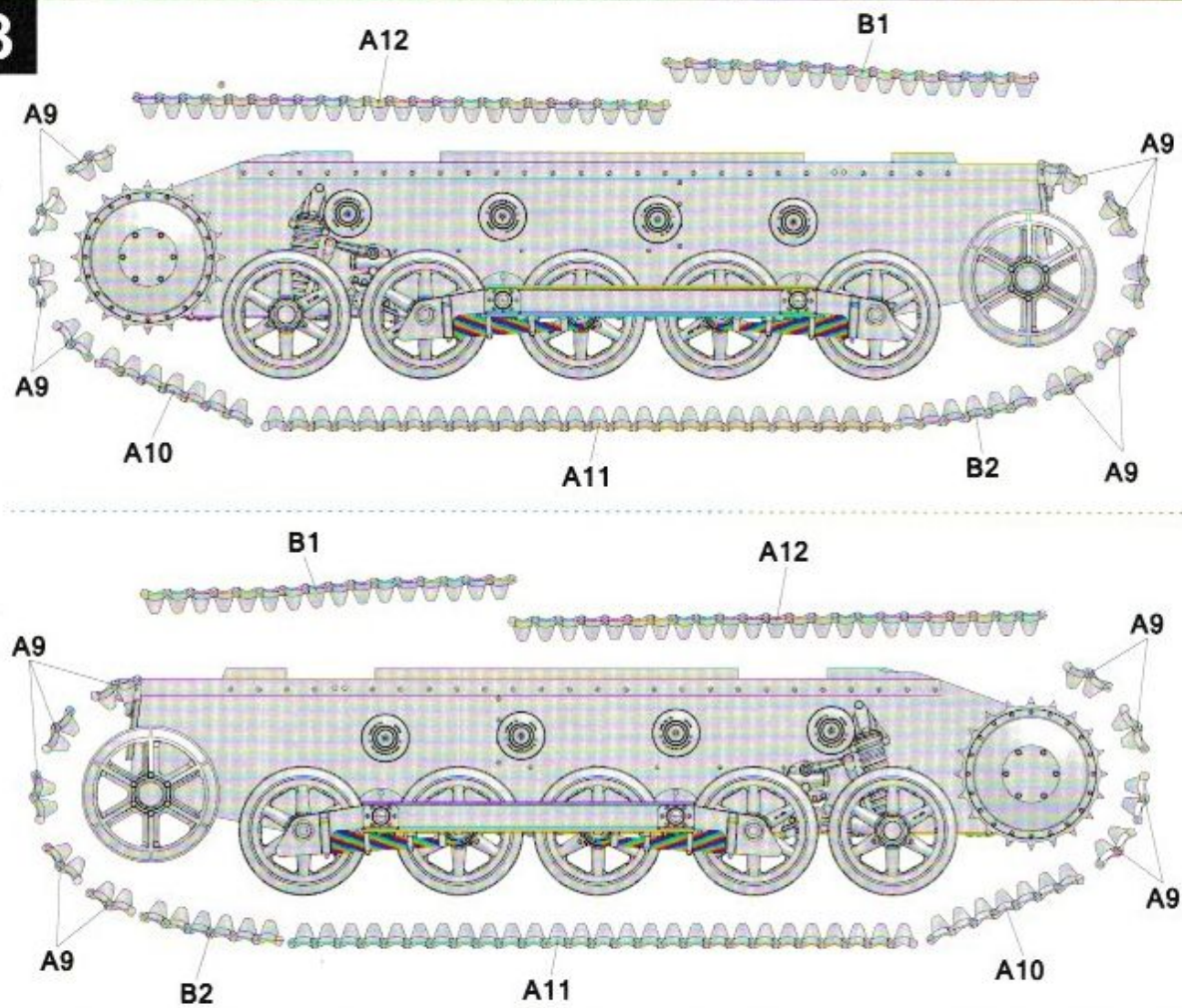
**3****4**

**4****5****6****5**

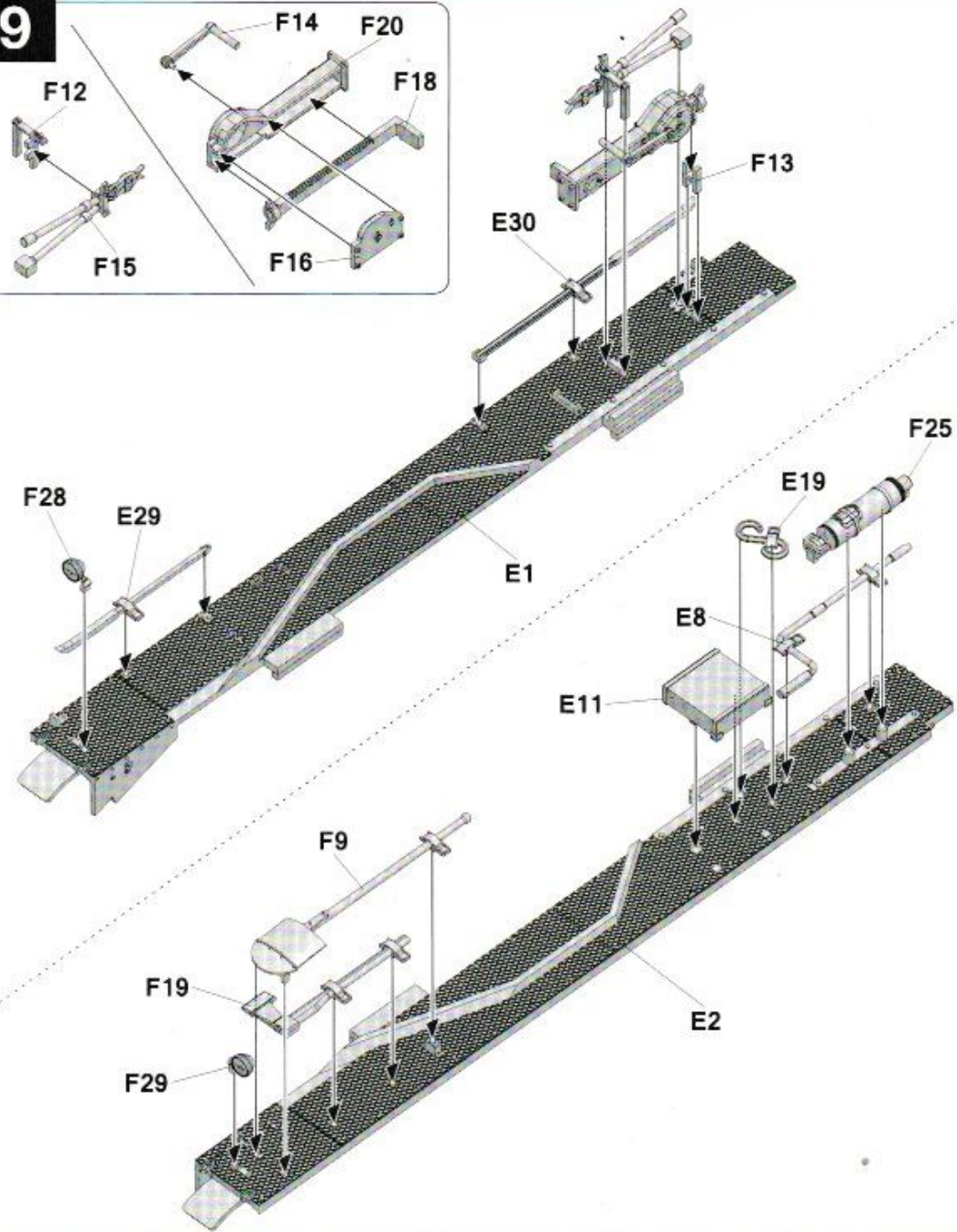
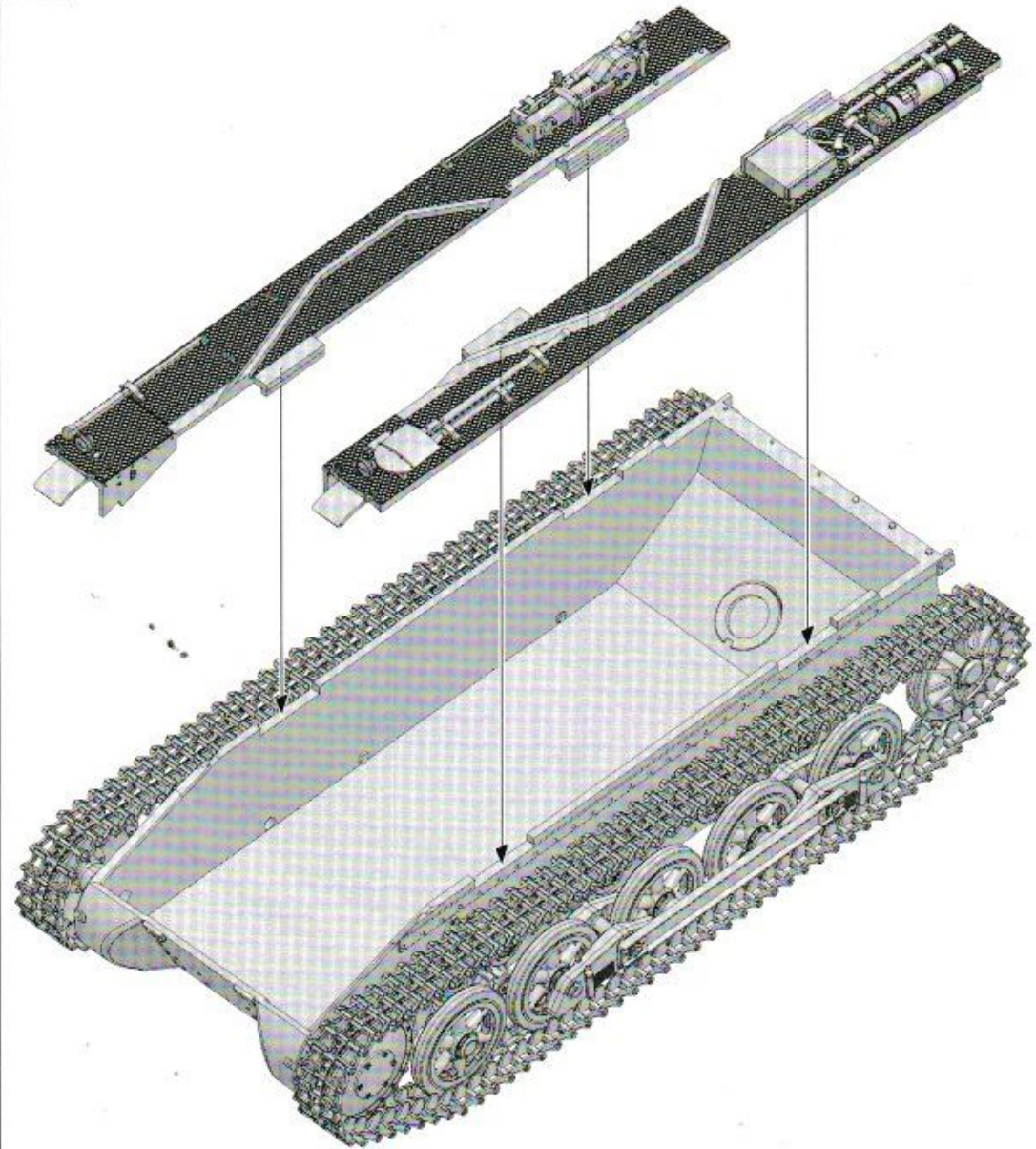
7



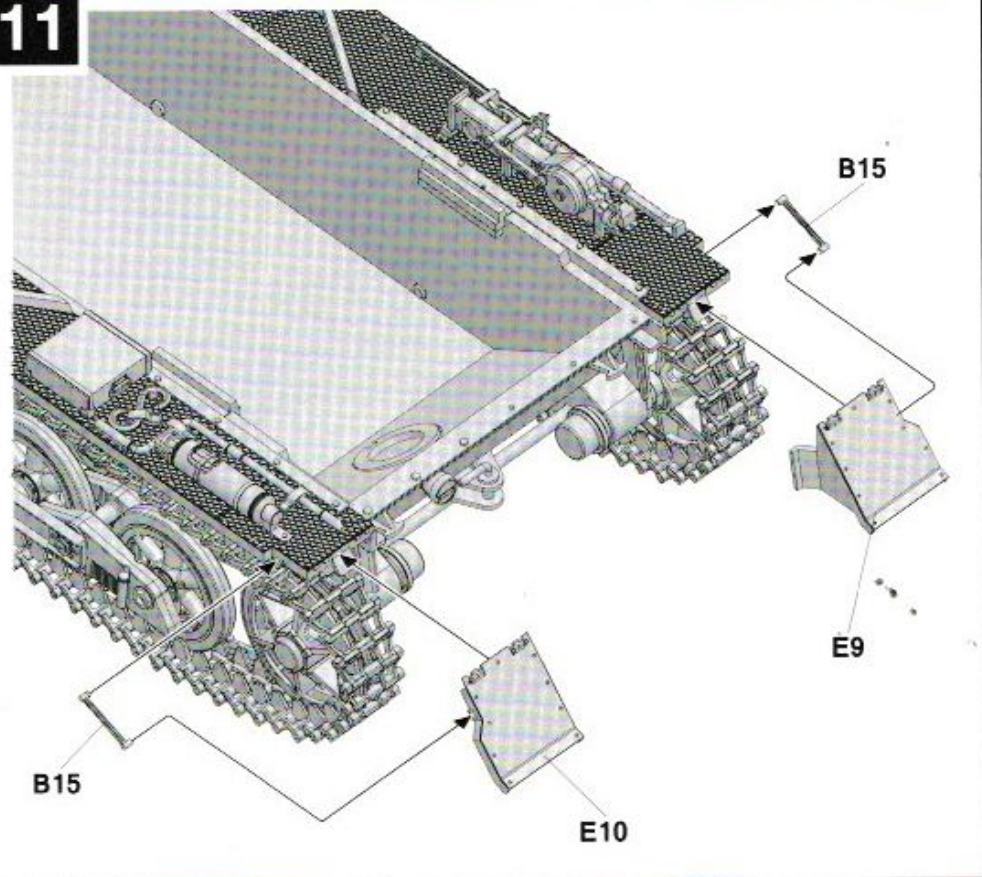
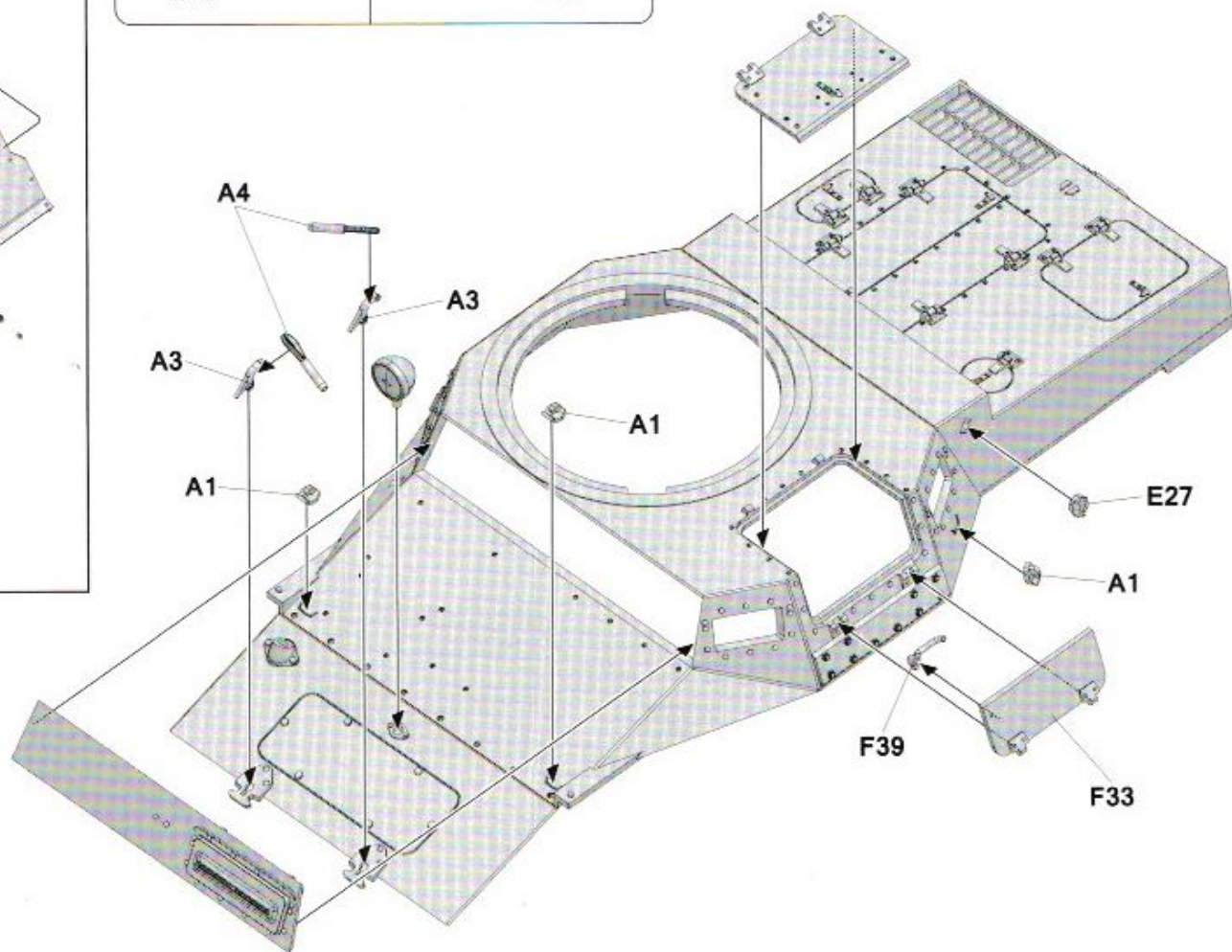
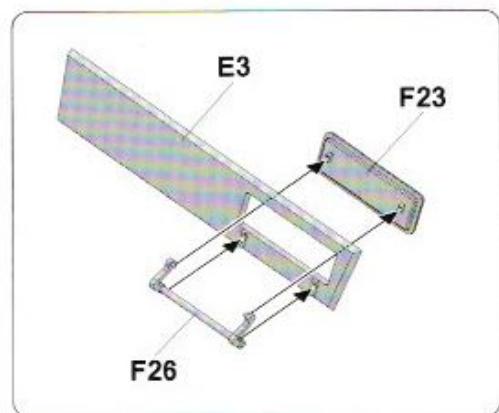
8



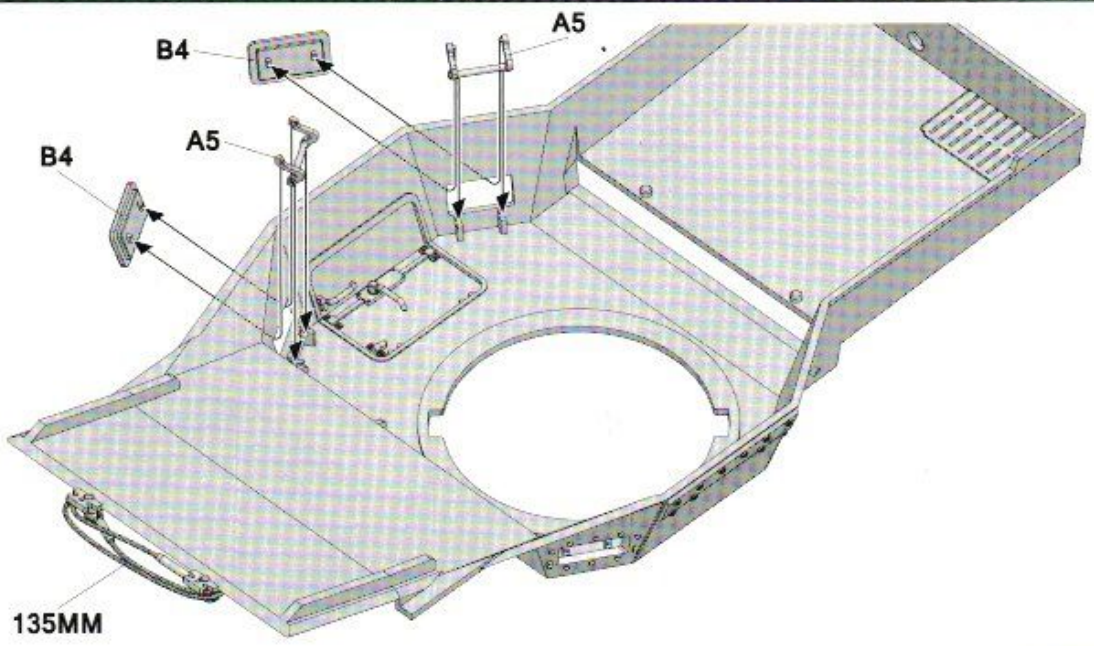
6

**9****10**

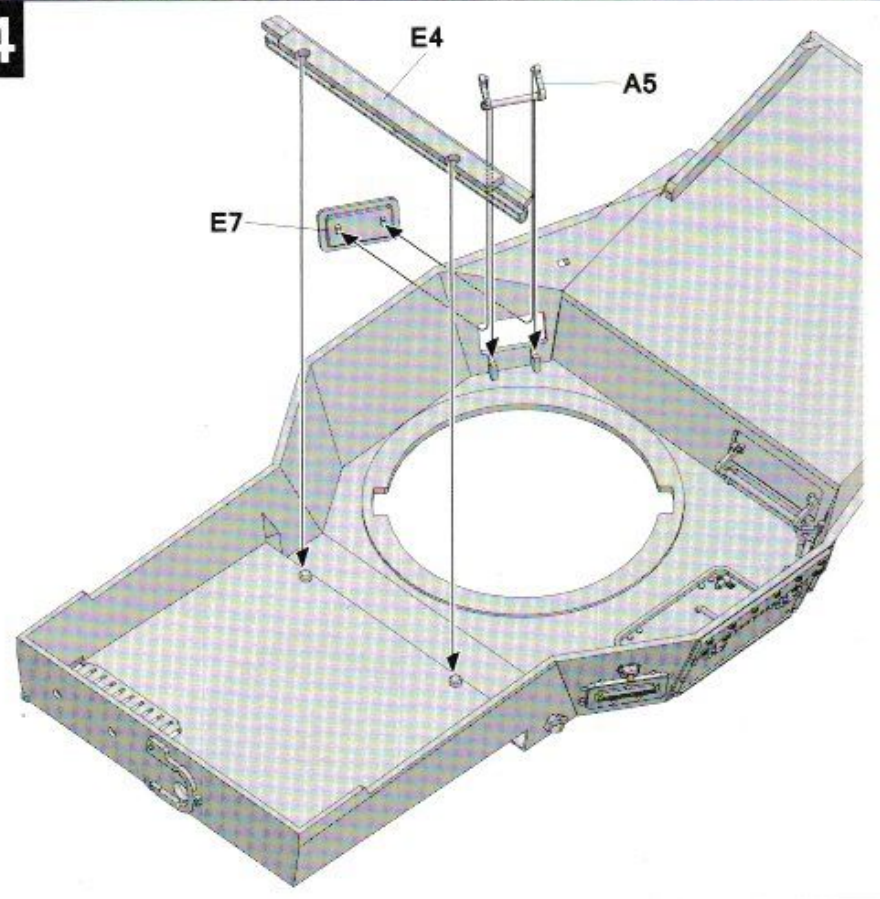


**11****12**

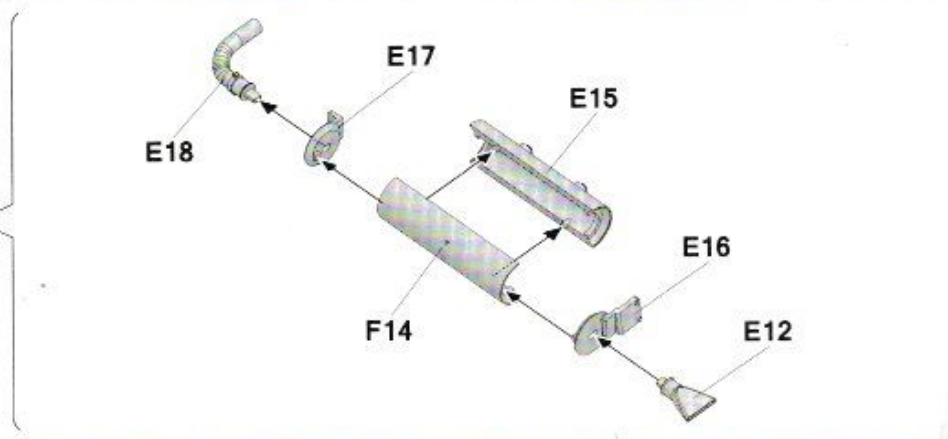
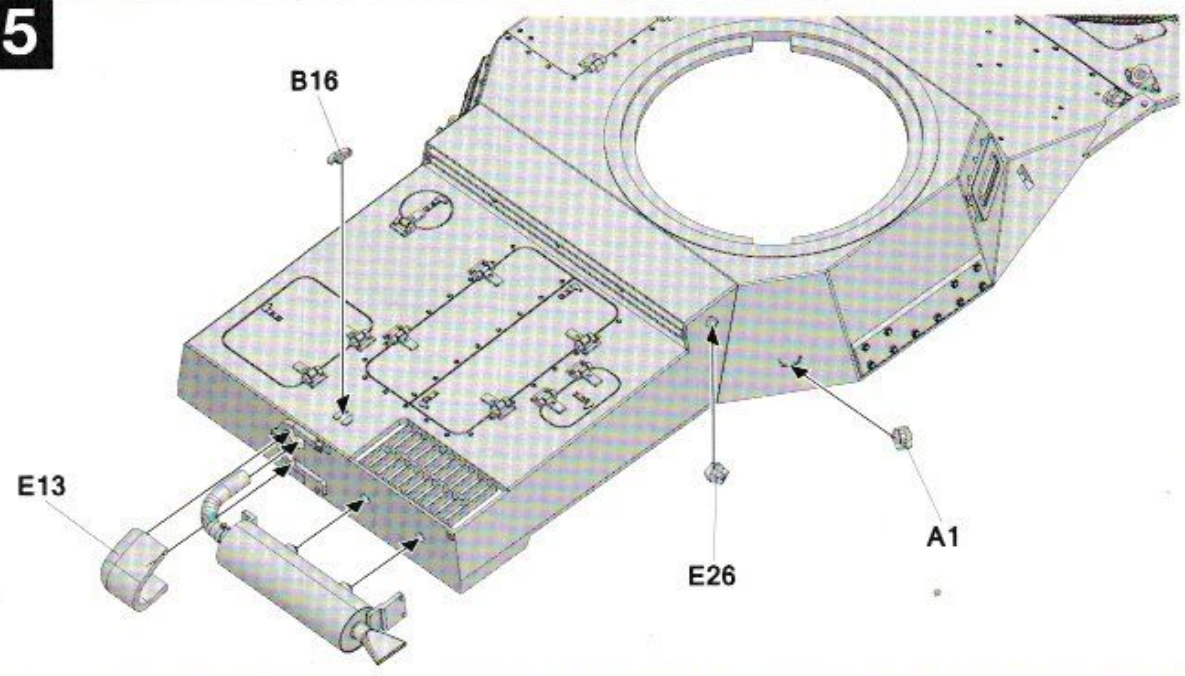
13



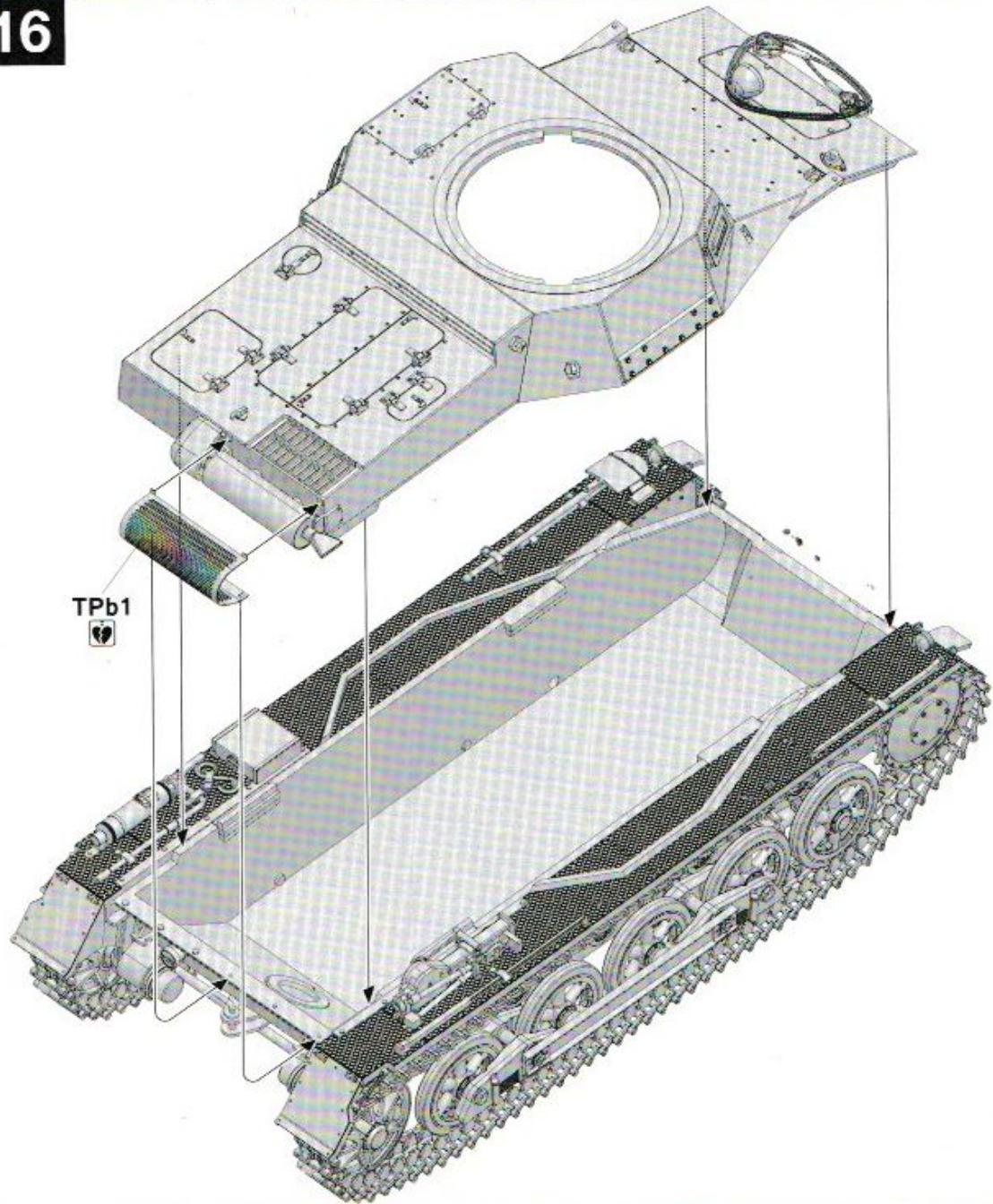
14



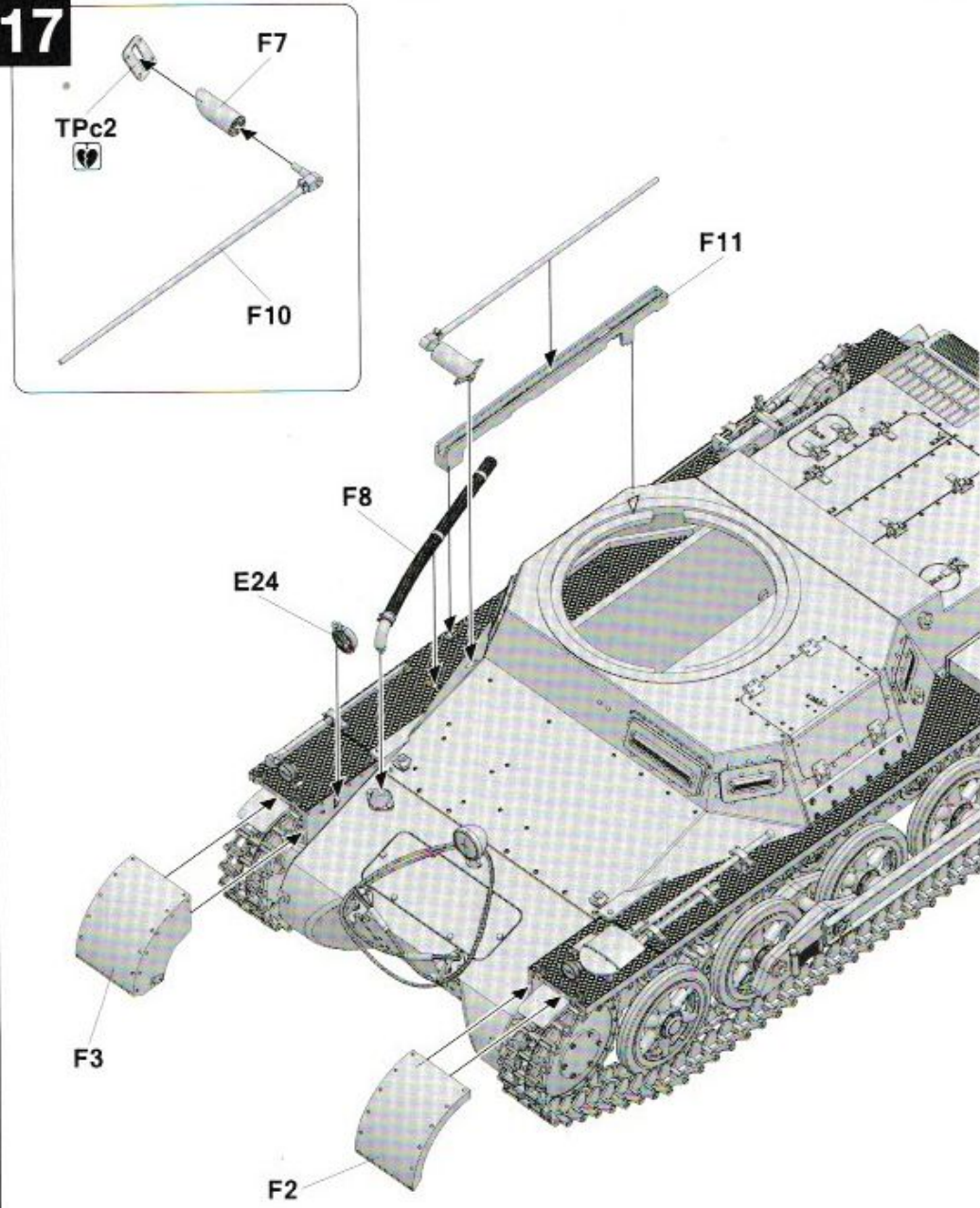
15

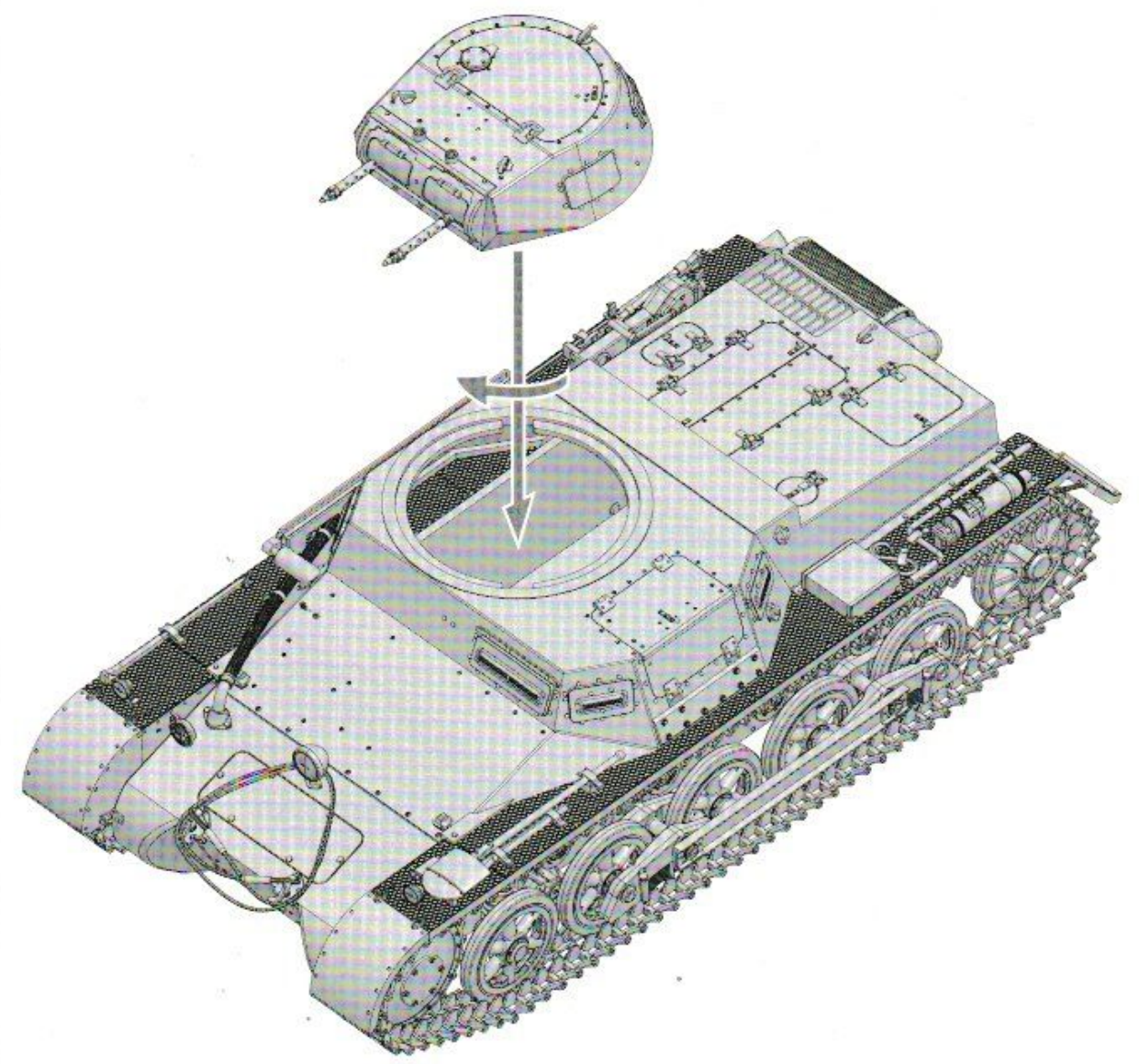
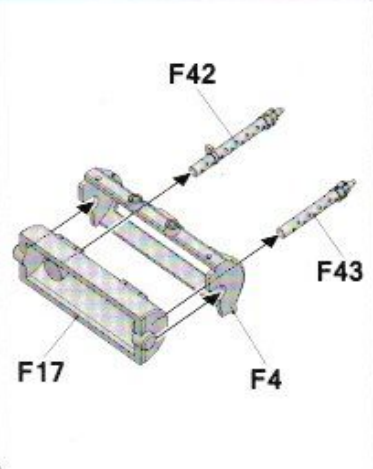
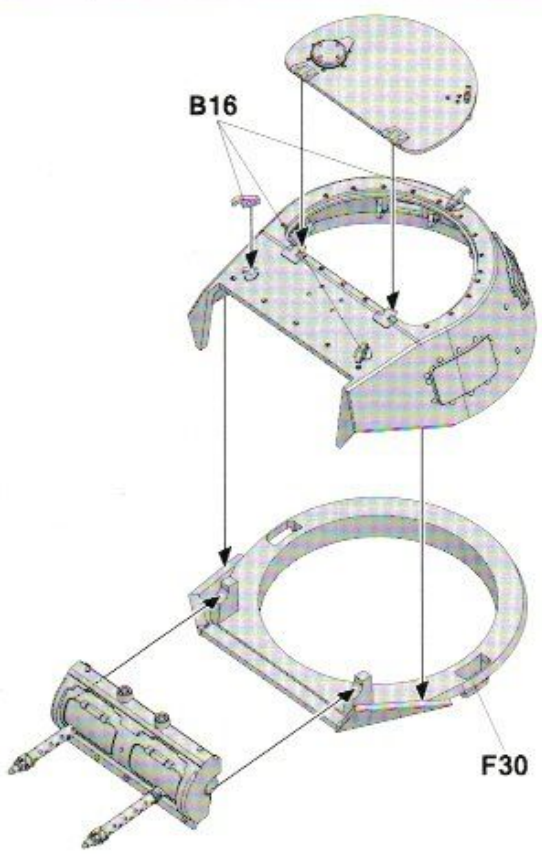
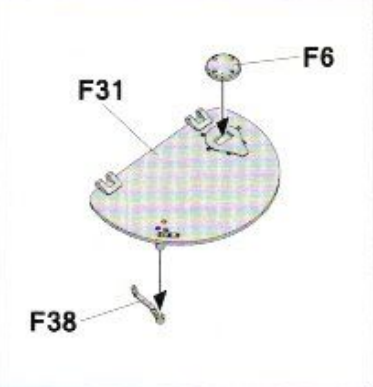
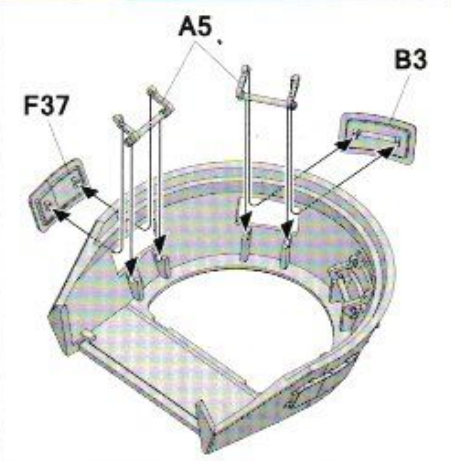
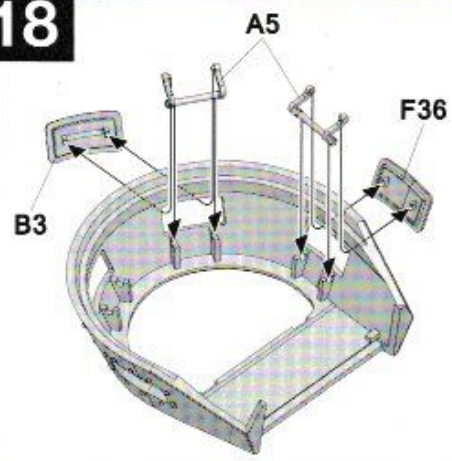


16



17





## Painting and Marking Guide

**TAKOM** Ref: 2145

5. Kompanie, Panzer Regiment 35,  
4th Panzer Division, Poland, September 1939

A.MIG-0033 Rubber & Tires

A.MIG-0035 Dark Tracks

A.MIG-0045 Gun Mount

A.MIG-0043 Dark Rust

A.MIG-0195 Silver

A.MIG-0008 No. 001  
Magnesium

A.MIG-0007 No. 001  
Blackboard

A.MIG-0036 Oil Wash

A.MIG-0093 Gunner Red



### WEATHERING STEPS WITH AMMO PRODUCTS

#### 1 GENERAL WASH

A.MIG-1006 Blue Wash for Panzer Grey

#### 2 FILTER

A.MIG-1502 Dark Grey for White

#### 3 STREAKING

A.MIG-1206 Dark Streaking Glime

#### 4 TRACKS WASH

A.MIG-1002 Tracks Wash

#### 5 RUST

A.MIG-1254 Streakingbrusher Rust

#### 6 DUST

A.MIG-3004 Europe Earth

#### 7 MUD & SPLASHES

A.MIG-1751 Dry Steppe

#### 8 GREASE & OIL

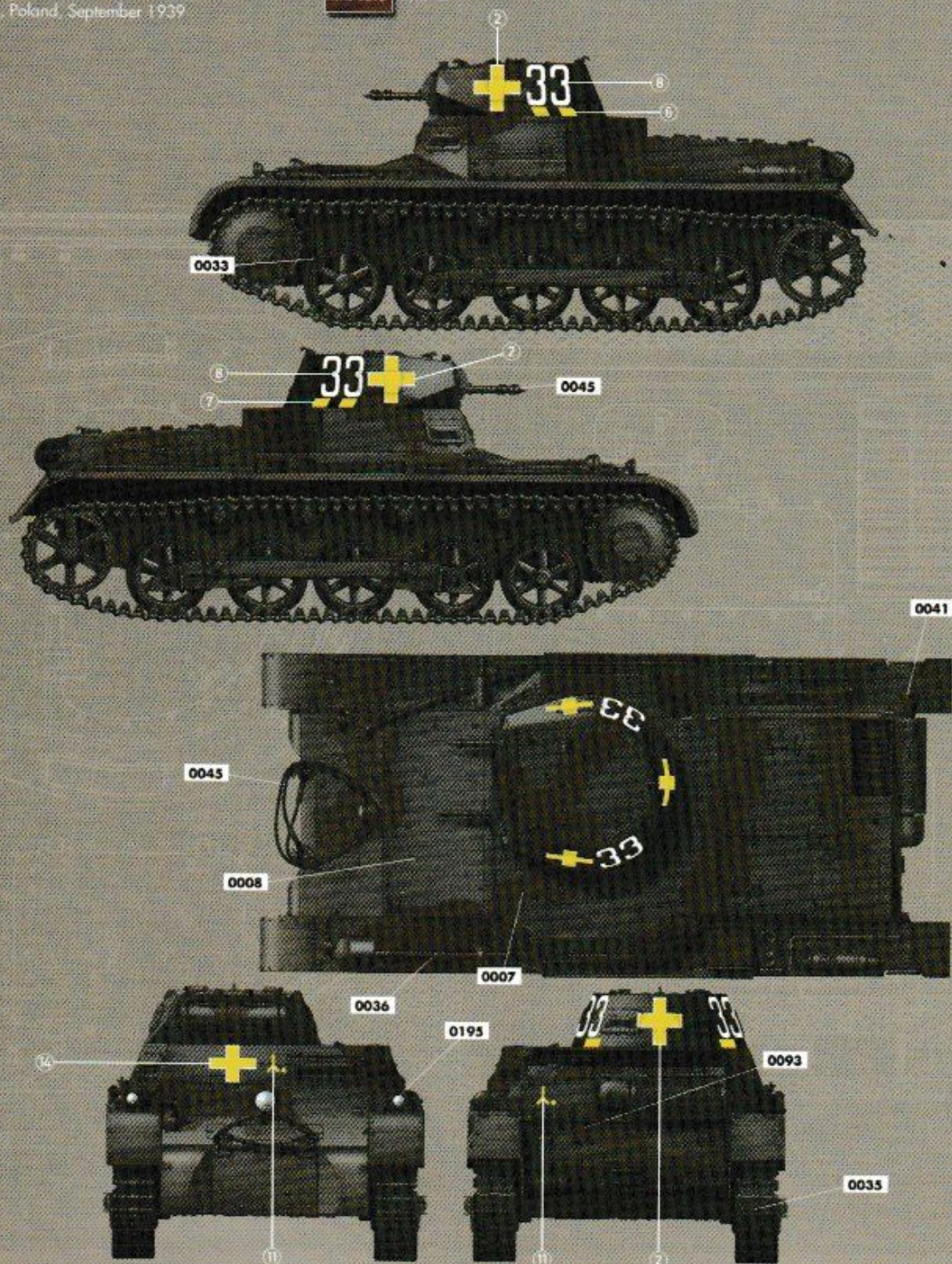
A.MIG-1408 Fresh Engine Oil

## Painting and Marking Guide

**TAKOM** Ref: 2145

Panzer Regiment 31, 5th Panzer Division,  
Pszczyna, Poland, September 1939

A.MIG-0033	Rubber & Tires	A.MIG-0035	Dark Tans	A.MIG-0045	Gun Metal	A.MIG-0041	Dark Rust
A.MIG-0193	Silver	A.MIG-0008	MIG 3025 Weathering 1	A.MIG-0007	MIG 3017 Weathering	A.MIG-0036	Old Wood
A.MIG-0093	Yellow Red						



### WEATHERING STEPS WITH AMMO PRODUCTS

#### 1 GENERAL WASH

A.MIG-1006 Blue Wash for Panzer Grey

#### 2 FILTER

A.MIG-1502 Dark Grey for White

#### 3 STREAKING

A.MIG-1206 Dark Streaking Grime

#### 4 TRACKS WASH

A.MIG-1002 Tracks Wash

#### 5 RUST

A.MIG-1264 Streakingbrusher Rust

#### 6 DUST

A.MIG-3004 Europe Earth

#### 7 MUD & SPLASHES

A.MIG-1751 Dry Staps

#### 8 GREASE & OIL

A.MIG-1408 Fresh Engine Oil

## Painting and Marking Guide

**TAKOM** Ref: 2145

5. Kompanie, Panzer Regiment 36,  
4th Panzer Division, France, June 1940

A.MIG-0033

Rubber &amp; Tire

A.MIG-0035

Dark Tanka

A.MIG-0045

Gun Metal

A.MIG-0041

Dark Blue

A.MIG-0195

Silver

A.MIG-0008

MIG-1251  
Streaking Wash

A.MIG-0007

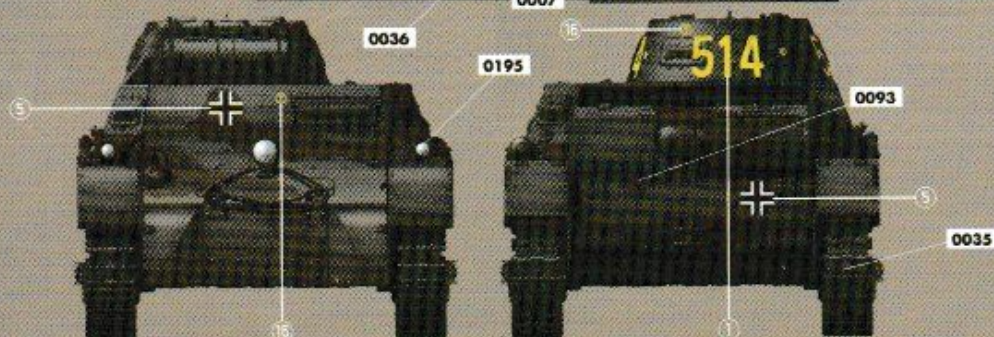
MIG-1257  
Darkbrusher

A.MIG-0034

Old Wood

A.MIG-0093

Coyard Red



### WEATHERING STEPS WITH AMMO PRODUCTS

#### 1 GENERAL WASH

A.MIG-1008 Blue Wash for Panzer Grey

#### 2 FILTER

A.MIG-1502 Dark Grey for White

#### 3 STREAKING

A.MIG-1206 Dark Streaking Grime

#### 4 TRACKS WASH

A.MIG-1002 Tracks Wash

#### 5 RUST

A.MIG-1254 Streakingbrusher Rust

#### 6 DUST

A.MIG-3004 Europe Earth

#### 7 MUD & SPLASHES

A.MIG-1751 Dry Steppe

#### 8 GREASE & OIL

A.MIG-1406 Fresh Engine Oil

03.03.2145



# PANZER 1 AUSE. B

www.migjimez.com



## Painting and Marking Guide

**TAKOM** Ref: 2145

1. Kompanie, Panzer Regiment 6,  
3rd Panzer Division, France, June 1940

A.MIG-0033

Rubber &amp; Tire

A.MIG-0035

Dark Ticks

A.MIG-0045

Gun Mount

A.MIG-0041

Dark Rust

A.MIG-0195

White

A.MIG-0008

RAL 7021  
Steingraue 1

A.MIG-0007

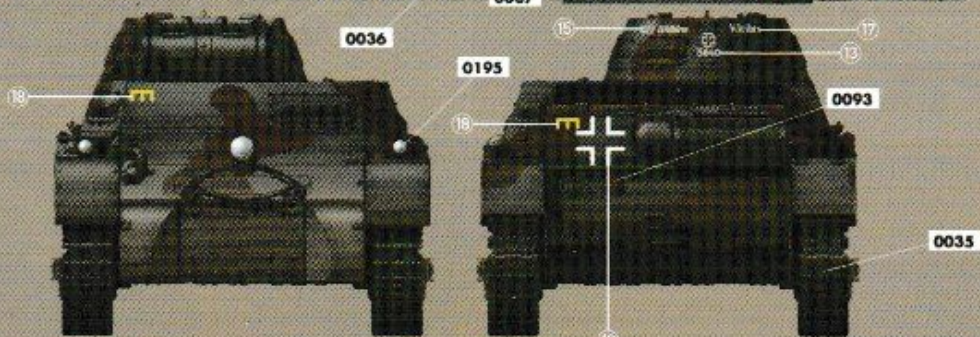
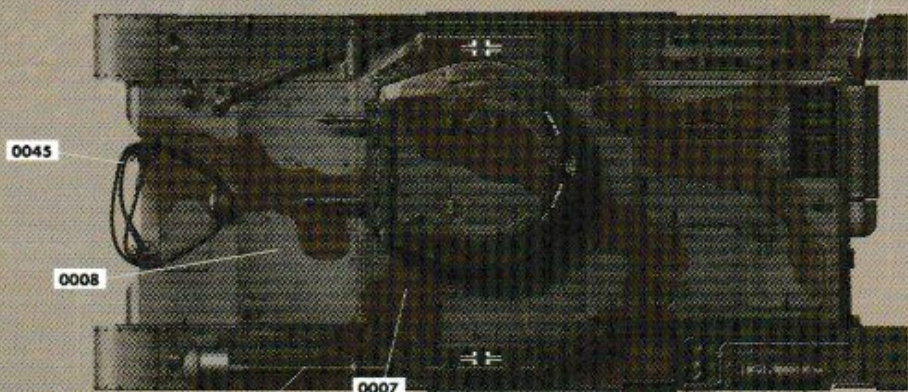
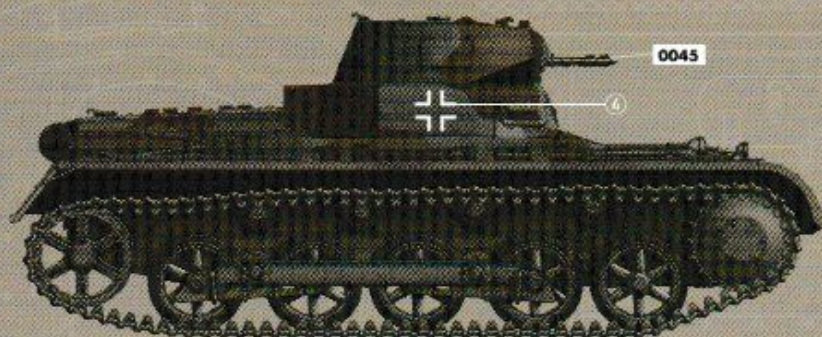
RAL 7017  
Dunkelbraun

A.MIG-0036

Old Wood

A.MIG-0093

Lysol Red



### WEATHERING STEPS WITH AMMO PRODUCTS

#### 1 GENERAL WASH

A.MIG-1006 Blue Wash for Panzer Grey

#### 2 FILTER

A.MIG-1502 Dark Grey for White

#### 3 STREAKING

A.MIG-1208 Dark Streaking Grime

#### 4 TRACKS WASH

A.MIG-1002 Tracks Wash

#### 5 RUST

A.MIG-1254 Streakingbrusher Rust

#### 6 DUST

A.MIG-3004 Europe Earth

#### 7 MUD & SPLASHES

A.MIG-1751 Dry Steppe

#### 8 GREASE & OIL

A.MIG-1408 Fresh Engine Oil



# BERGEPANZER 2A2



- ▲ DETAILED STATIC DISPLAY PLASTIC MODEL
- ▲ ARTICULATING RECOVERY BOOM
- ▲ PE & CLEAR PARTS INCLUDED
- ▲ FIGURE NOT INCLUDED
- ▲ 8 TYPES OF MARKINGS
- ▲ WORKABLE TRACKS



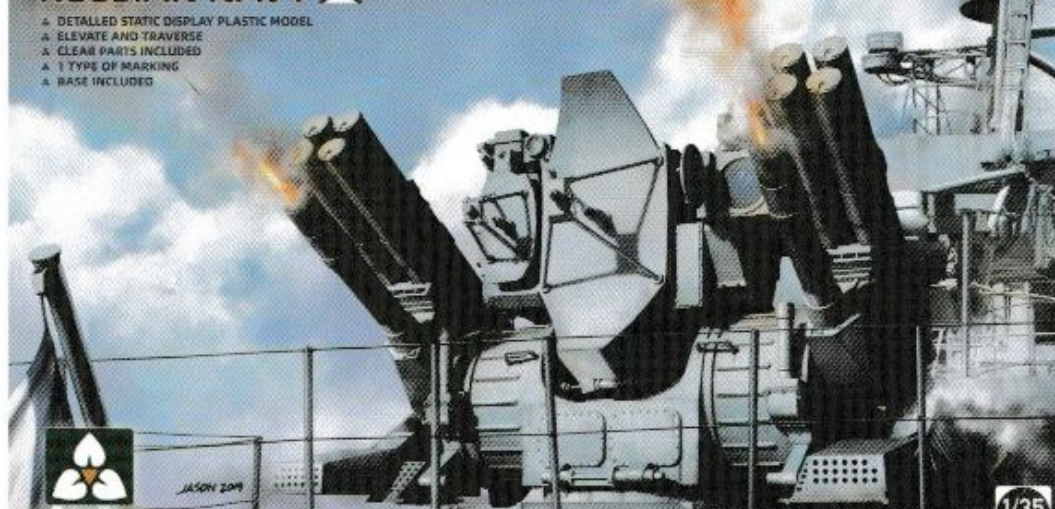
1/35  
No.2135

▲ MODEL MAY VARY FROM IMAGE ON BOX ▲ CEMENT AND PAINT NOT INCLUDED ▲ WEAPONS FOR COLLECTORS OF AGE 14 YEARS AND ABOVE

# CADS-N-I KASHTAN CIWS

## RUSSIAN NAVY

- ▲ DETAILED STATIC DISPLAY PLASTIC MODEL
- ▲ ELEVATE AND TRAVERSE
- ▲ CLEAR PARTS INCLUDED
- ▲ 1 TYPE OF MARKING
- ▲ BASE INCLUDED



1/35  
No.2136

▲ MODEL MAY VARY FROM IMAGE ON BOX ▲ CEMENT AND PAINT NOT INCLUDED ▲ WEAPONS FOR COLLECTORS OF AGE 14 YEARS AND ABOVE

# M60A3 w/ M9 BULLDOZER



- ▲ CAN BE BUILT IN EITHER CLOSED POSITION OR OPENED
- ▲ DETAILED STATIC DISPLAY PLASTIC MODEL
- ▲ CLEAR PARTS INCLUDED
- ▲ 2 TYPES OF MARKING
- ▲ 50MM-PIECE TRACKS



1/35  
No.2137

▲ THIS IS NOT A TOY ▲ INTENDED FOR COLLECTIONS OF AGE 14 YEARS AND ABOVE ▲ CEMENT AND PAINT NOT INCLUDED ▲ MODEL MAY VARY FROM IMAGE ON BOX ▲ READY TO ASSEMBLE PRECISION MODEL KIT

# AK-130 RUSSIAN NAVY 130MM AUTOMATIC NAVAL GUN

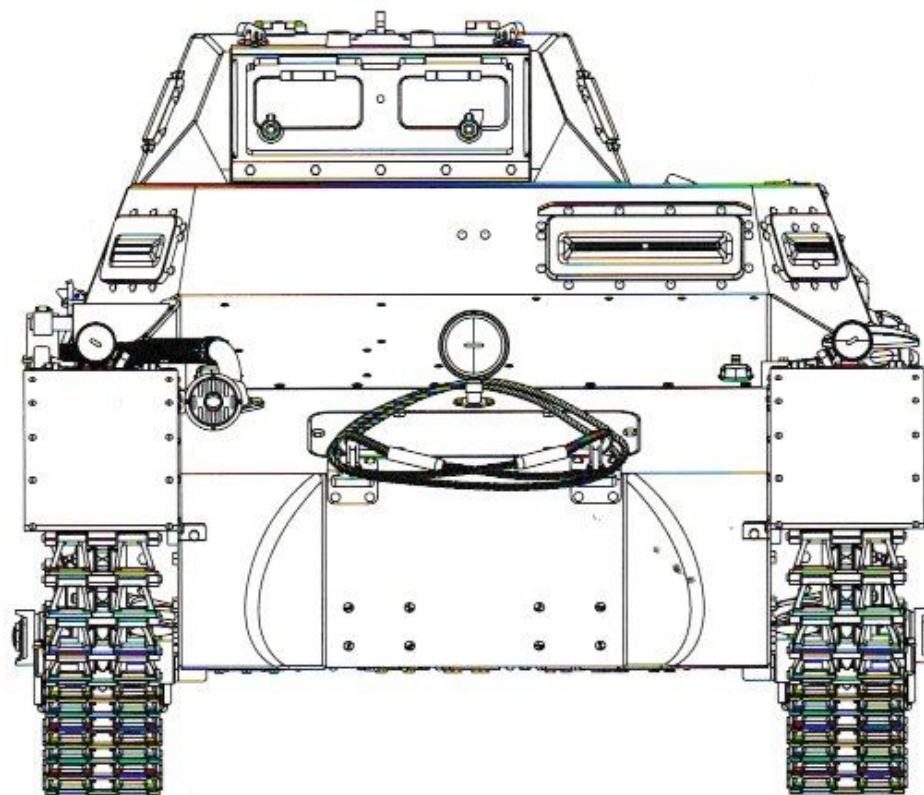
- ▲ DETAILED STATIC DISPLAY PLASTIC MODEL
- ▲ PE & CLEAR PARTS INCLUDED
- ▲ 2 TYPES OF MARKING
- ▲ BASE INCLUDED



1/35  
No.2139

▲ MODEL MAY VARY FROM IMAGE ON BOX ▲ CEMENT AND PAINT NOT INCLUDED ▲ WEAPONS FOR COLLECTORS OF AGE 14 YEARS AND ABOVE

2024/2145B



You can find TAKOM on Facebook.com