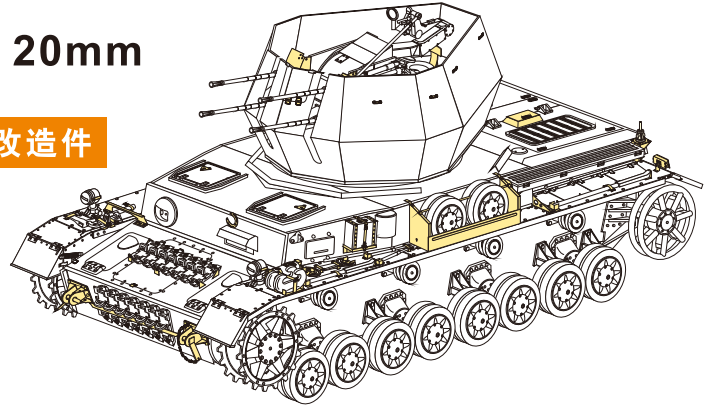


1/35 MILITARY MINIATURE VEHICLE UPGRADE SERIES PE35408

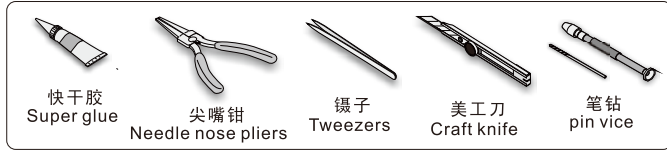
WWII German Panzer IV ausf G 20mm Flakpanzer IV "Wirbelwind"

二战德军IV号G底盘"旋风"20MM防空自行炮改造件

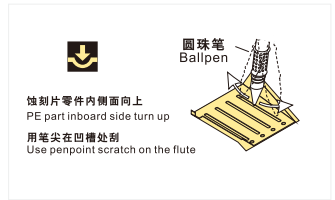
[For DRAGON 6342]



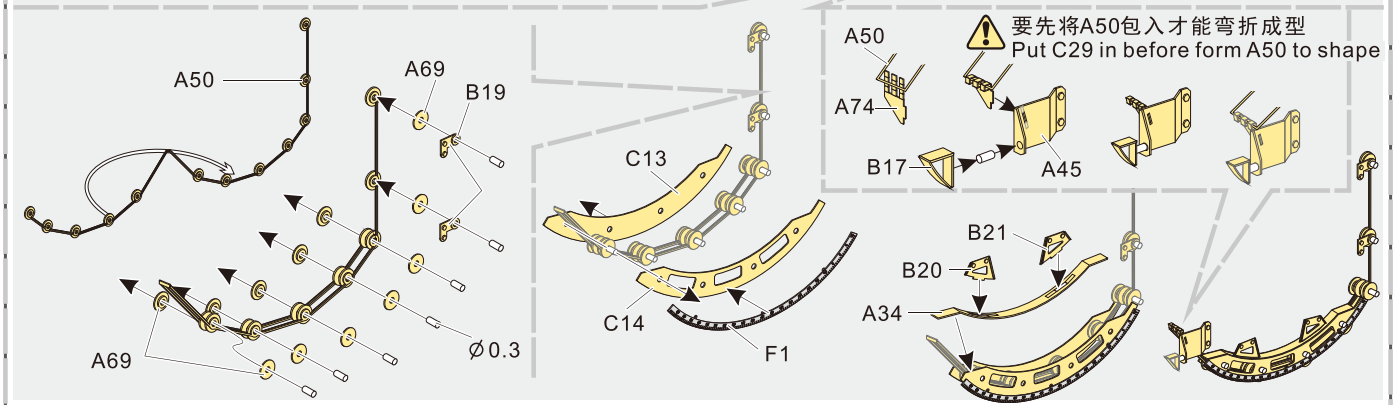
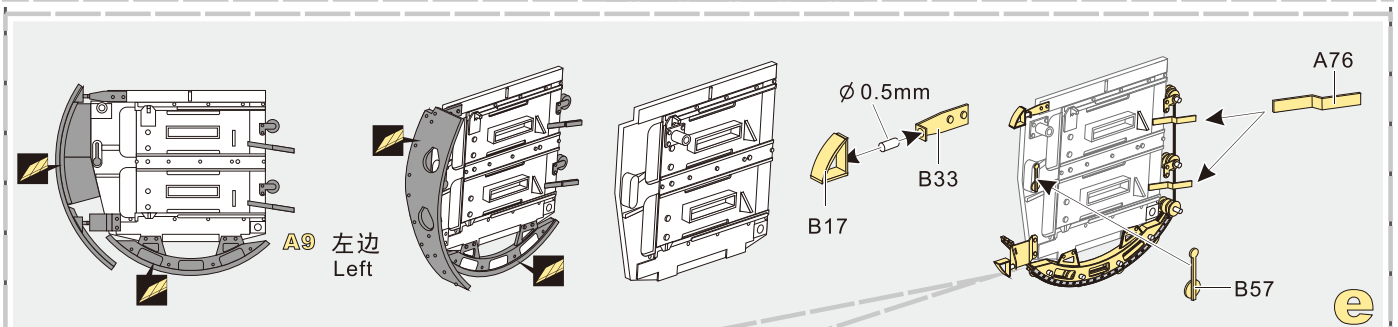
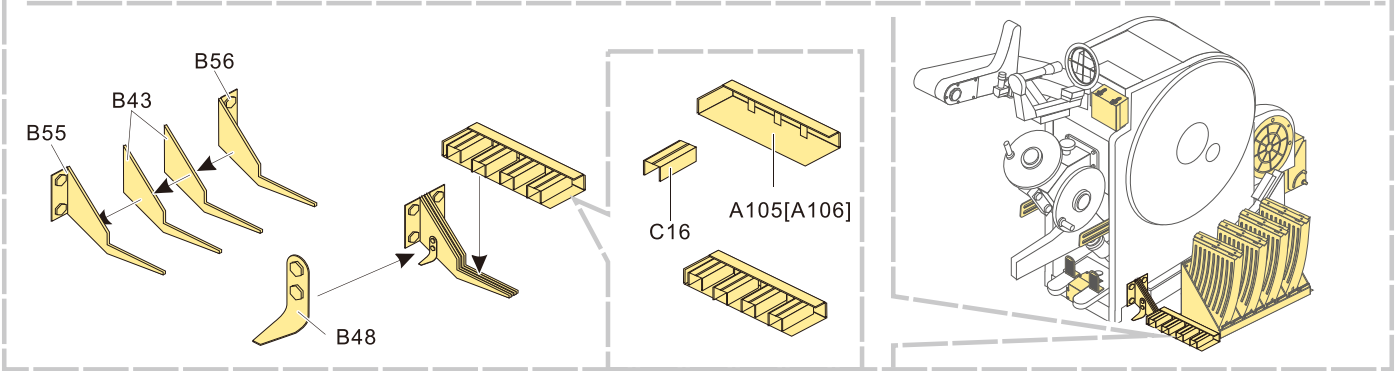
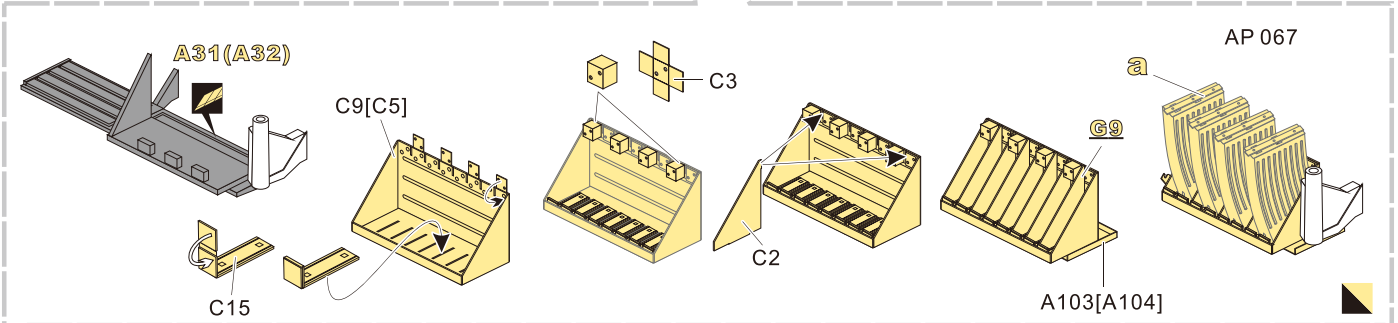
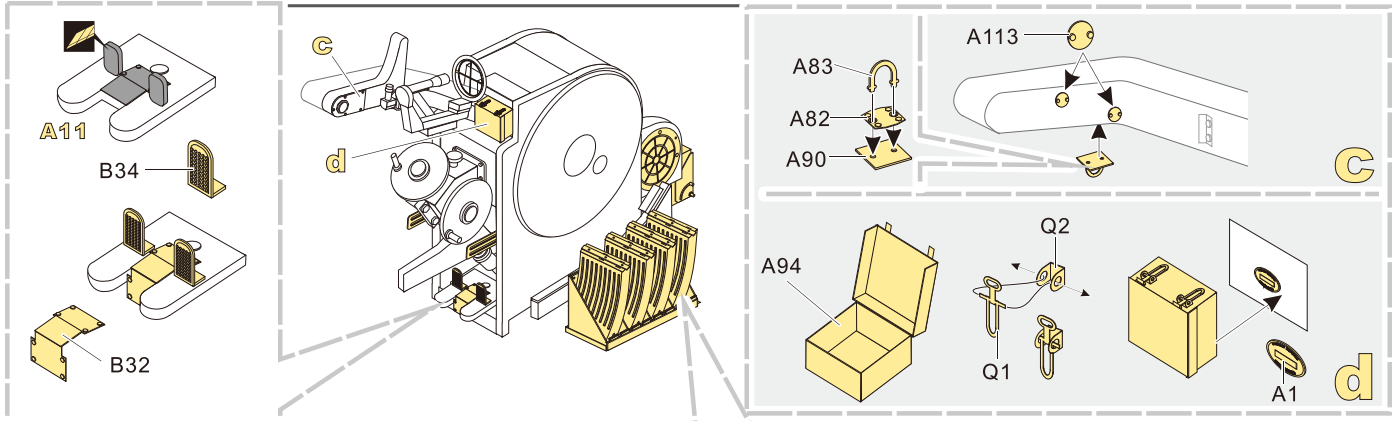
推荐使用工具 RECOMMENDED TOOLS



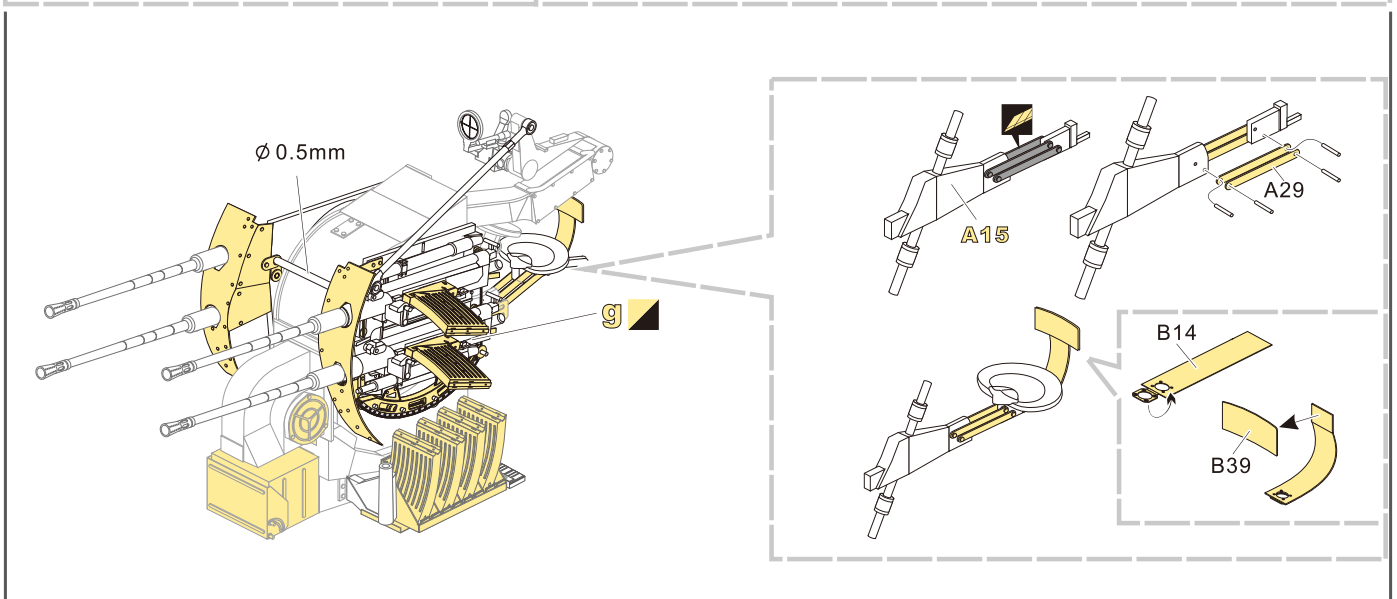
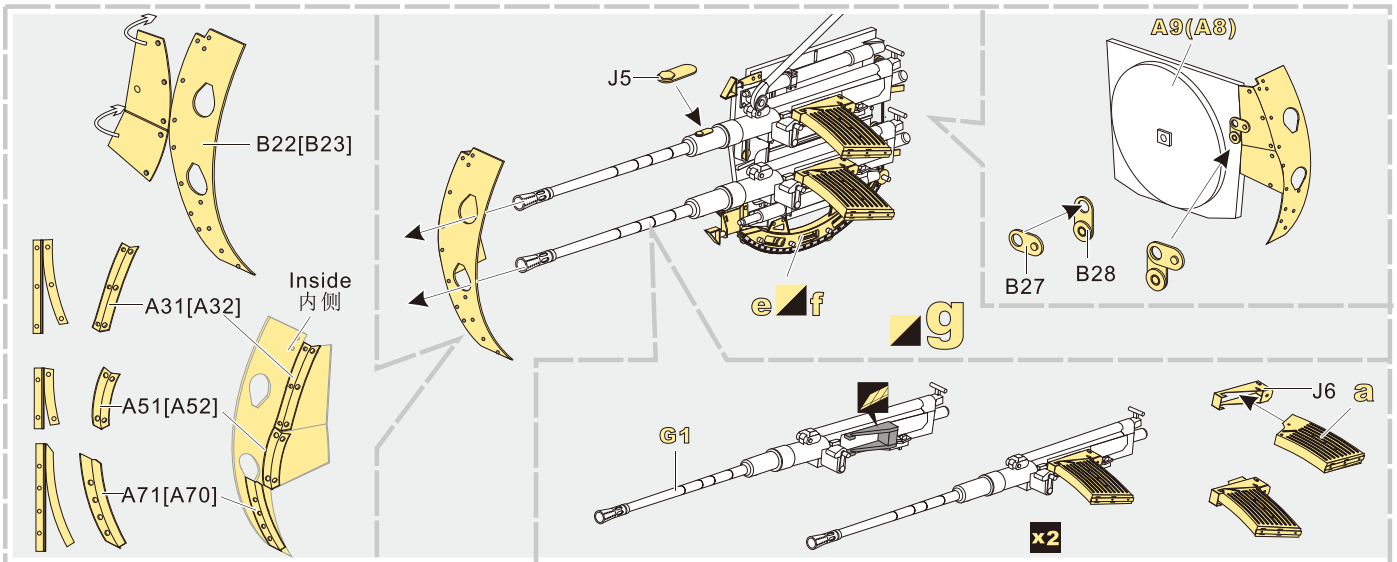
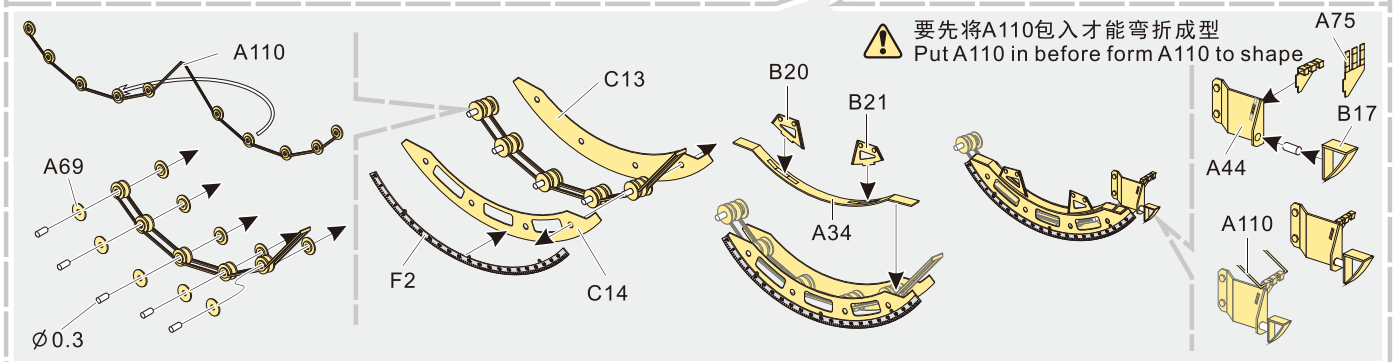
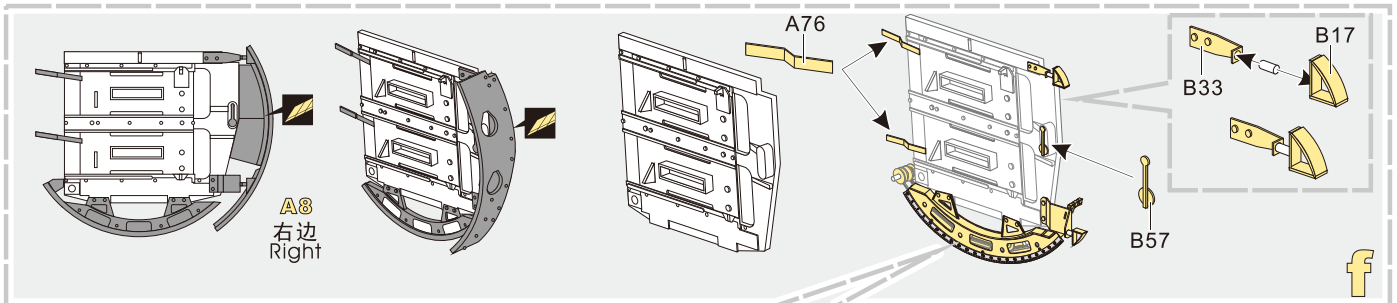
- 安装
install
- 折叠
bend
- A1**
改造件零件编号
PE/resin part number
- B12**
原零件编号
kit part number
- C22**
被替换的原零件编号
replaced kit part number
- x2**
制作若干组
multiple assembly
- 弧度卷曲
radial bending
- 选择安装
alternative
- 切除
remove
- 钻孔
drill
- 注意
caution
- 另一侧相同制作
repeat on opposite side
- 用尖端在凹槽处冲压
use penpoint to press on the dent
- 打磨
grind off
- 用铜管制作
make from brass tube
- 用胶棒制作
make from plastic rod



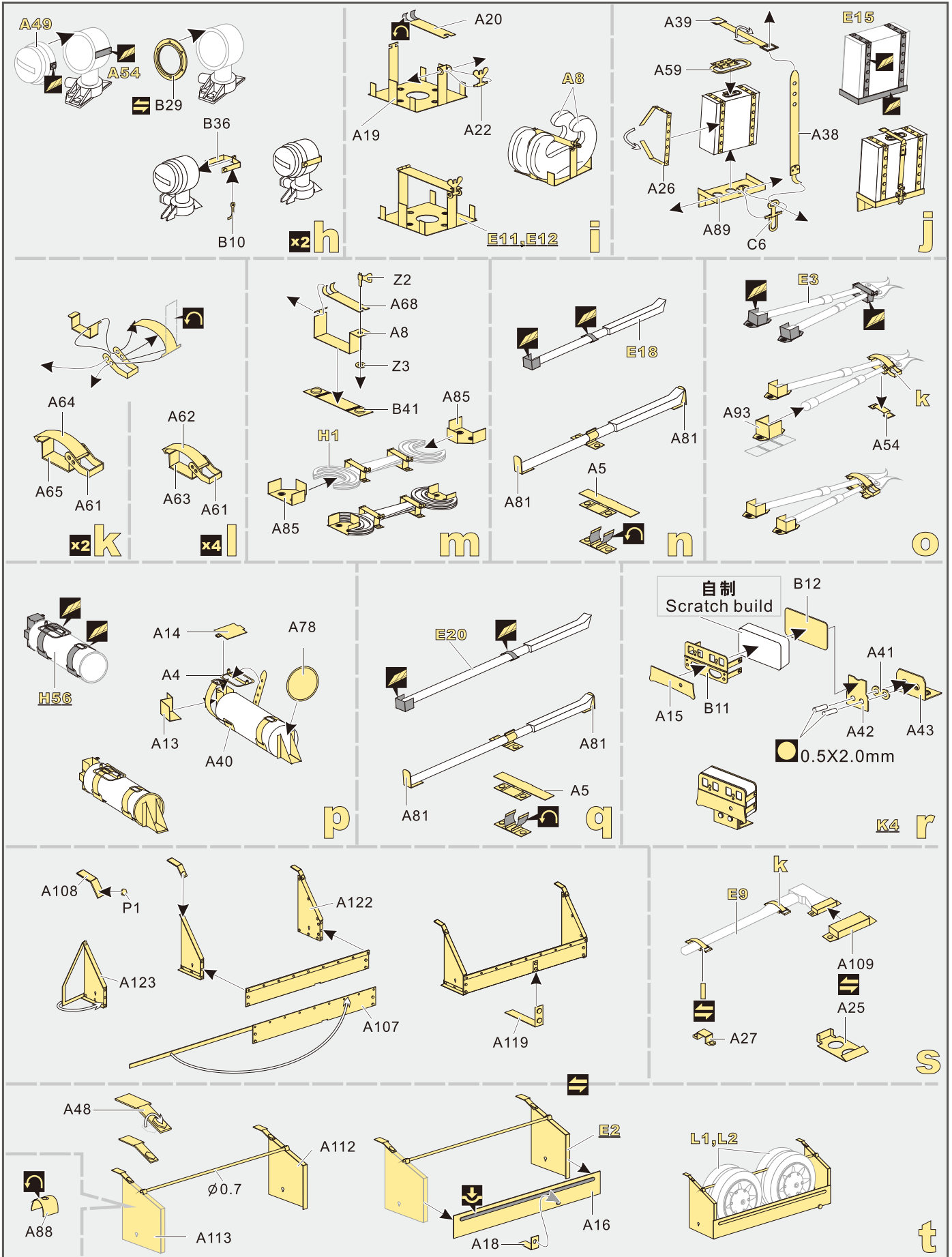
1/35 MILITARY MINIATURE VEHICLE UPGRADE SERIES PE35408



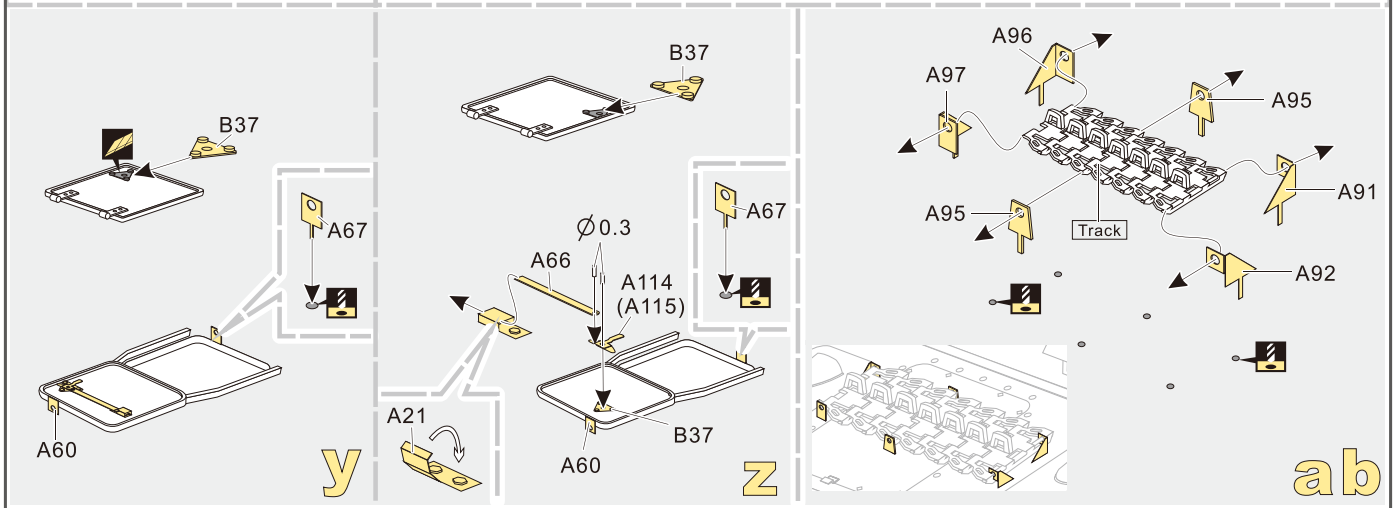
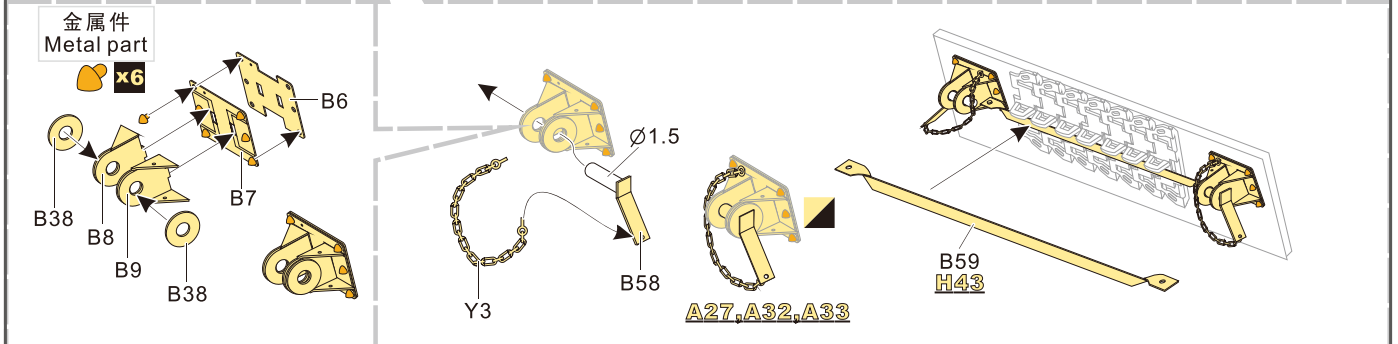
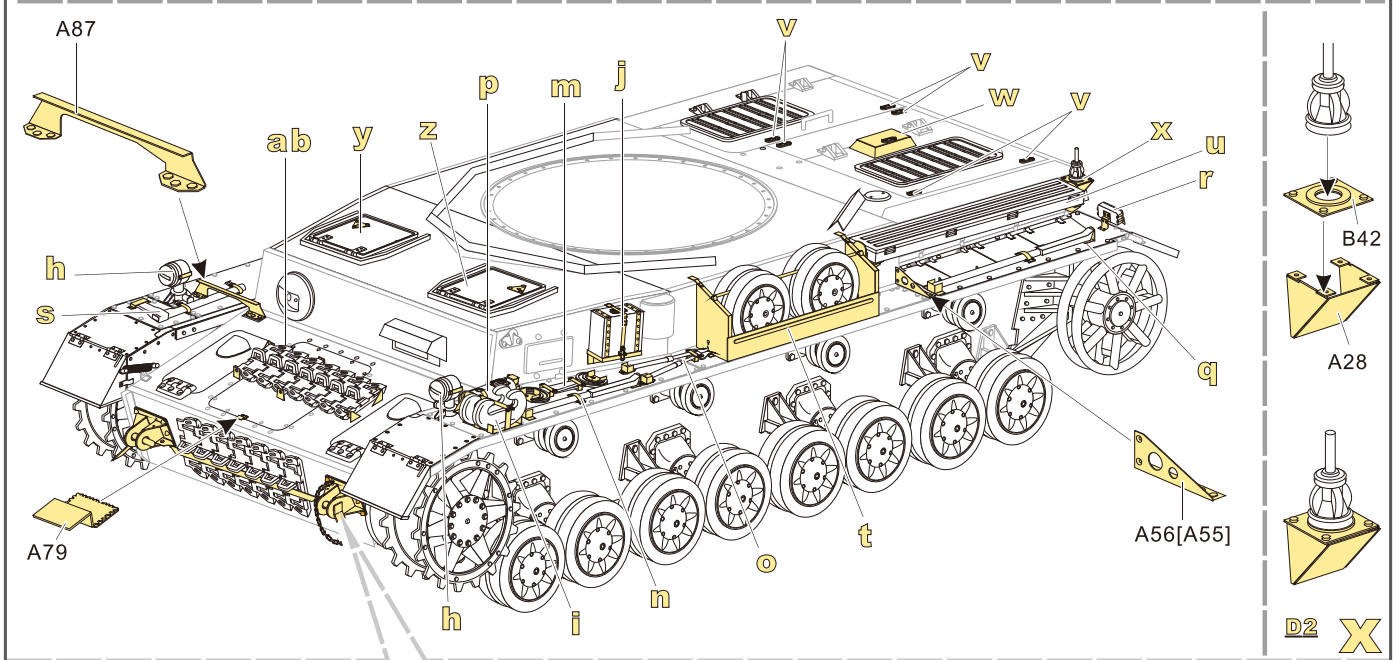
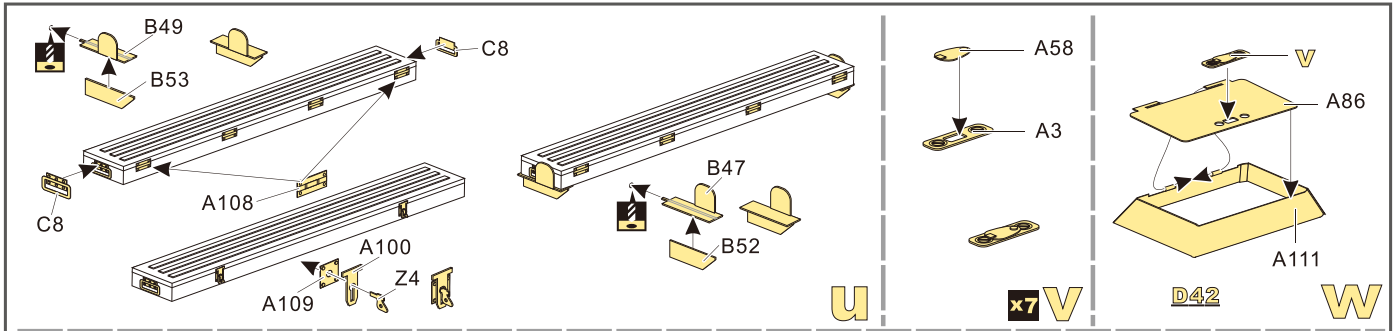
1/35 MILITARY MINIATURE VEHICLE UPGRADE SERIES PE35408



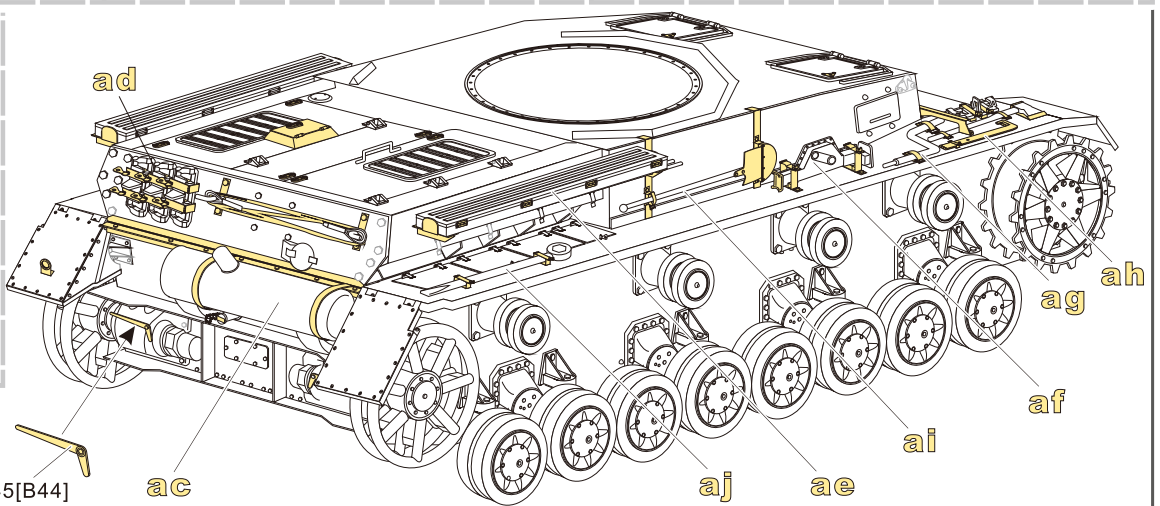
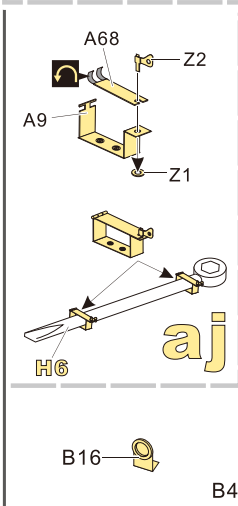
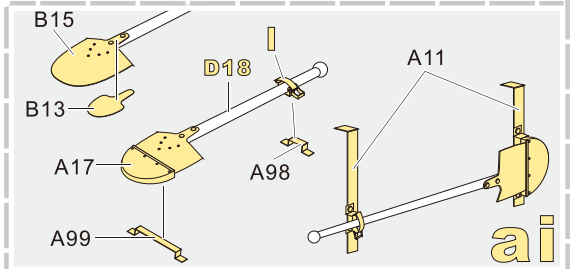
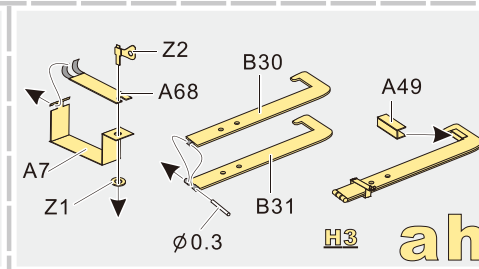
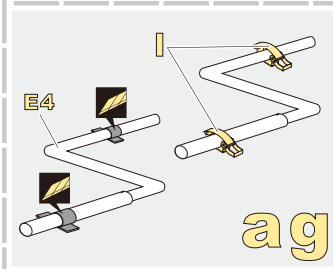
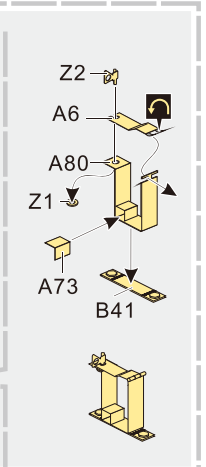
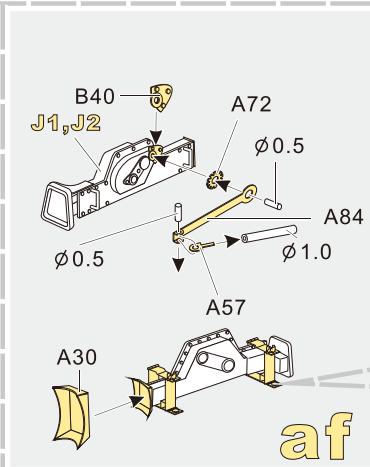
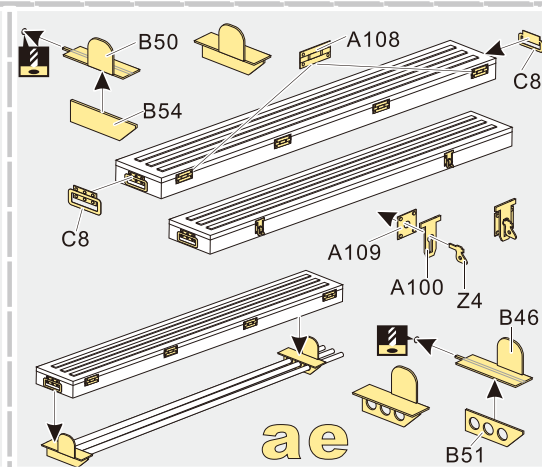
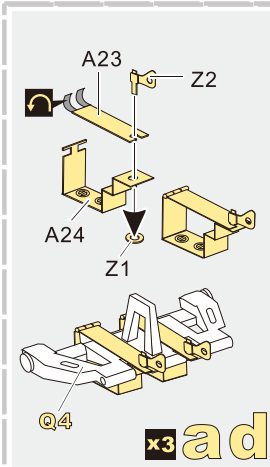
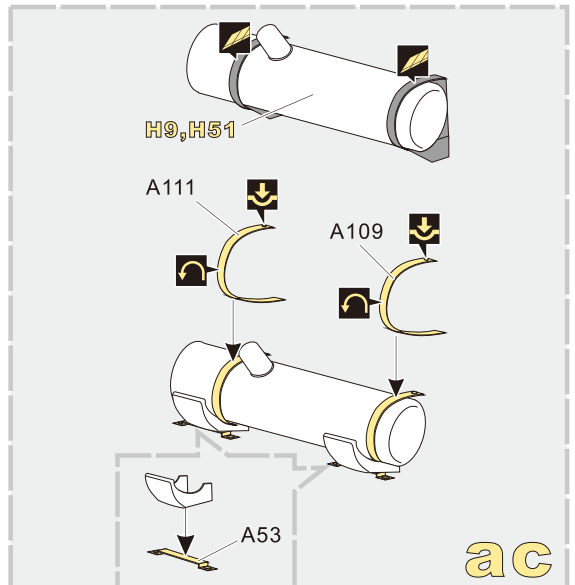
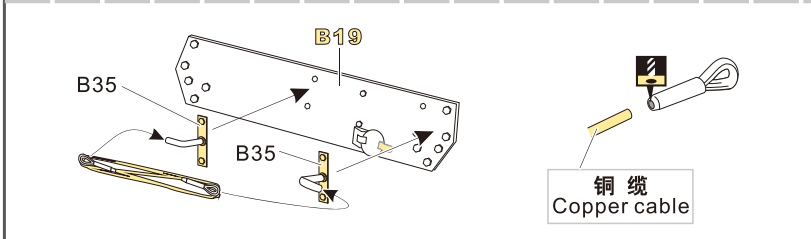
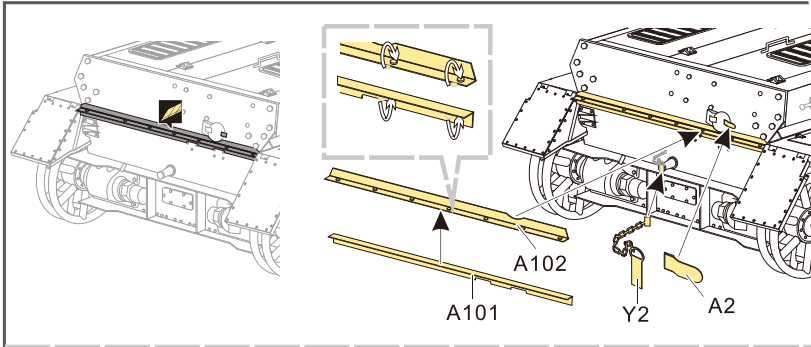
1/35 MILITARY MINIATURE VEHICLE UPGRADE SERIES PE35408



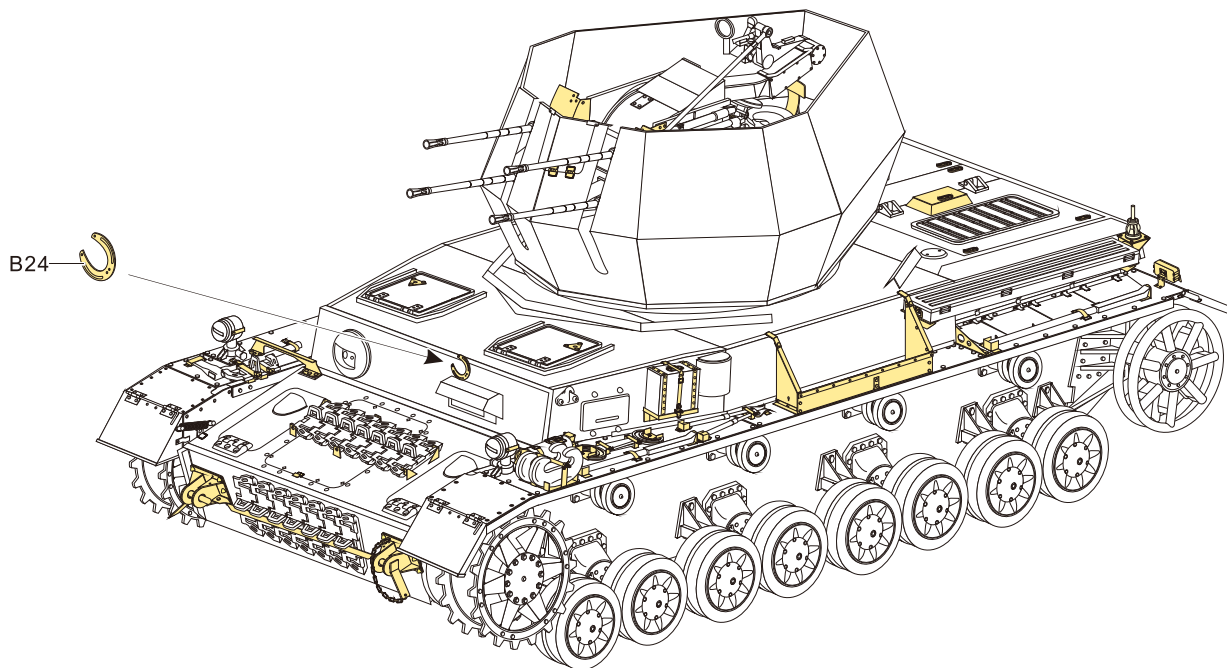
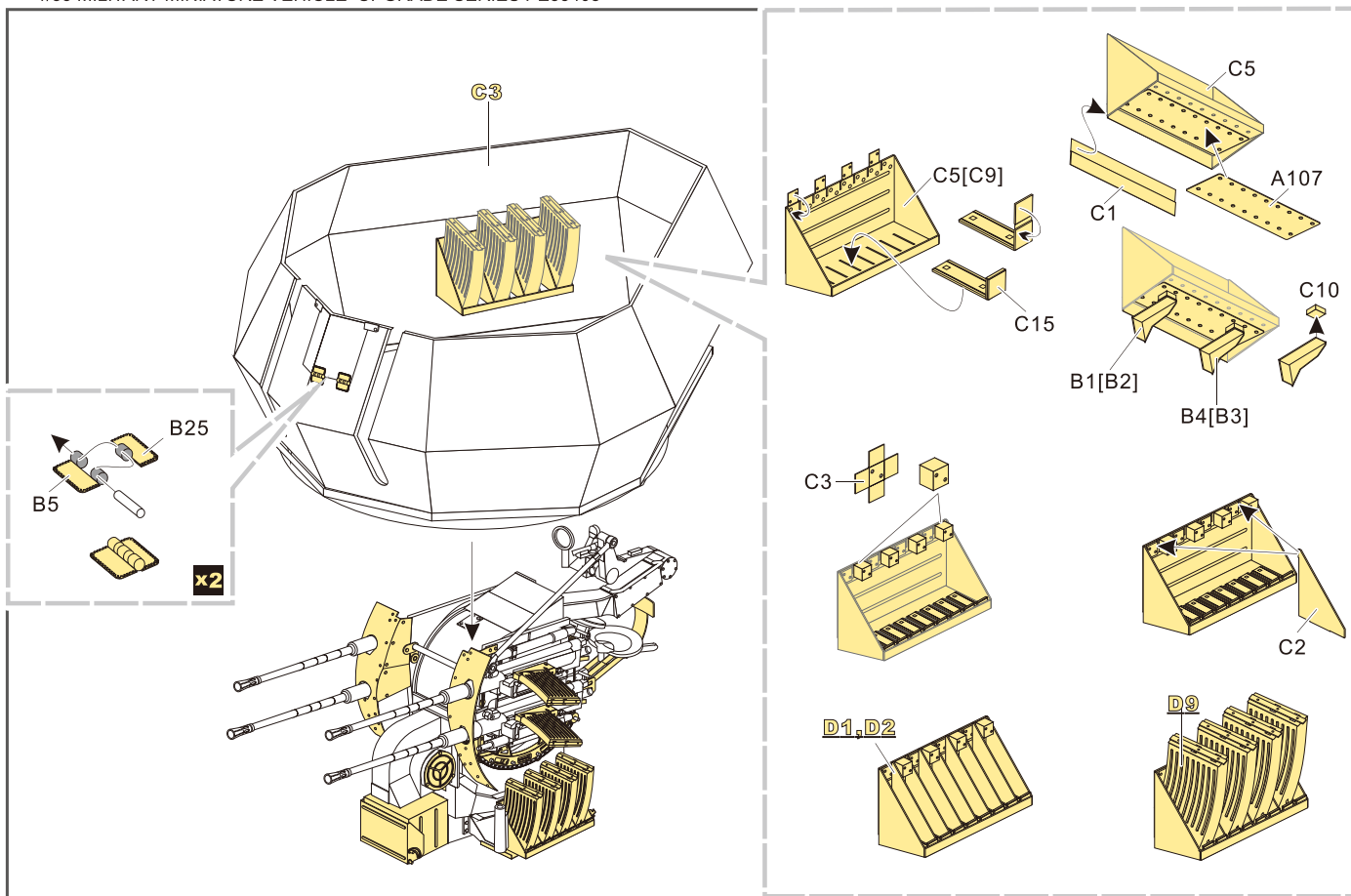
1/35 MILITARY MINIATURE VEHICLE UPGRADE SERIES PE35408



1/35 MILITARY MINIATURE VEHICLE UPGRADE SERIES PE35408



1/35 MILITARY MINIATURE VEHICLE UPGRADE SERIES PE35408



VOYAGERMODEL® 无微不至 极尽享受
The Best Upgrade Solution

Recommended item	
PE 35145	WWII German Pz.Kpfw.IV Ausf.F1/H Fenders
AP067	WWII German Magazines & Ammo Boxes for Flak 30/38
ME-A039	WWII German Shells for 1/35 20mm Flak 38
VBS0137	WWII German 20mm Flak38 Barrel w/Ammo Magazine 4X4