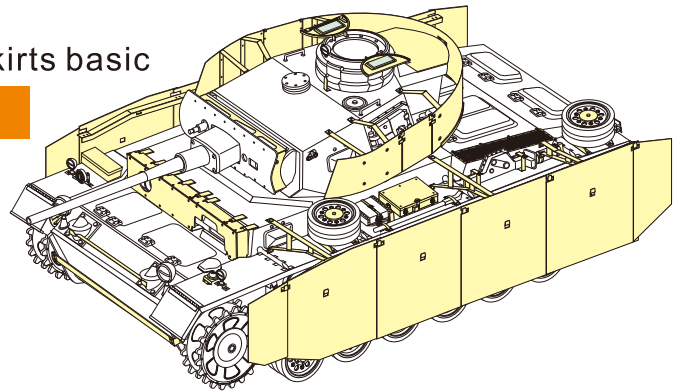


1/35 MILITARY MINIATURE VEHICLE UPGRADE SERIES PE351125

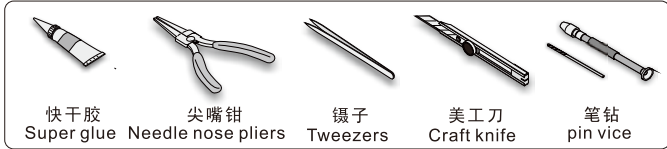
WWII German Pz.KPfw.III Ausf.J w/Side skirts basic










二战德军III号坦克J型带附加装甲改造件


[For RFM 5070 5072]



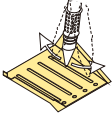
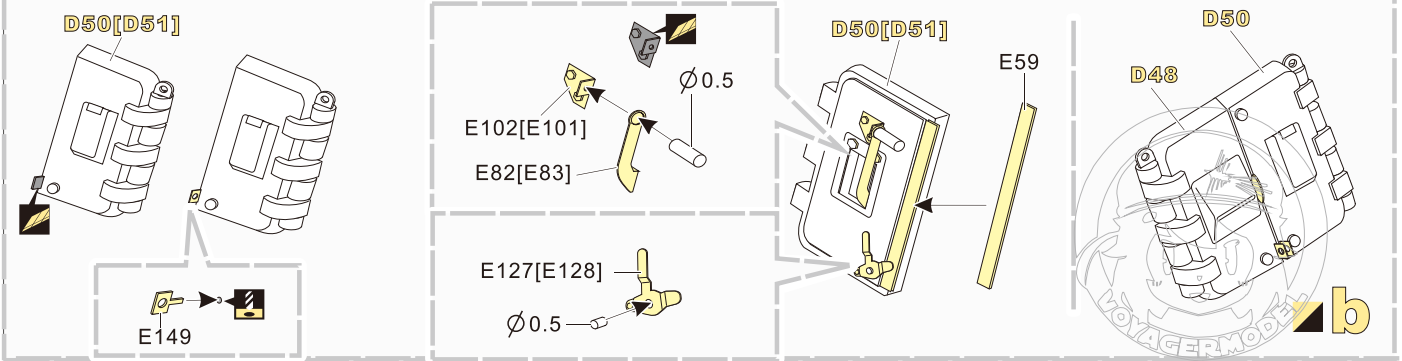
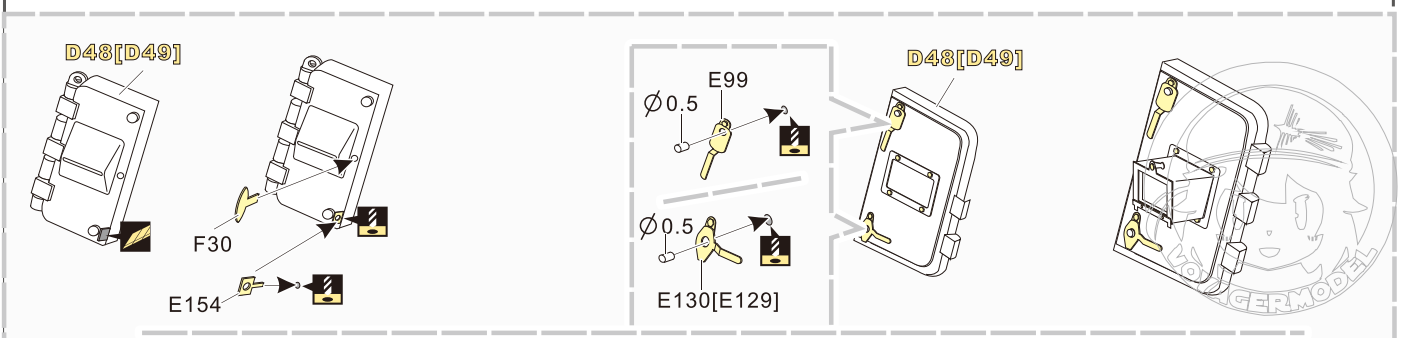
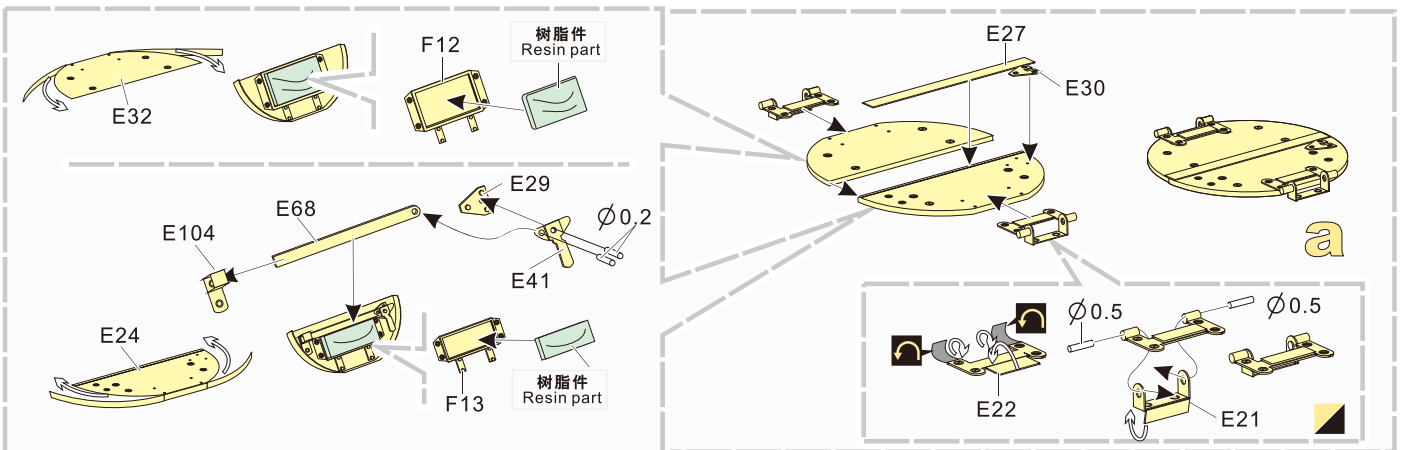
■ 推荐使用工具 RECOMMENDED TOOLS



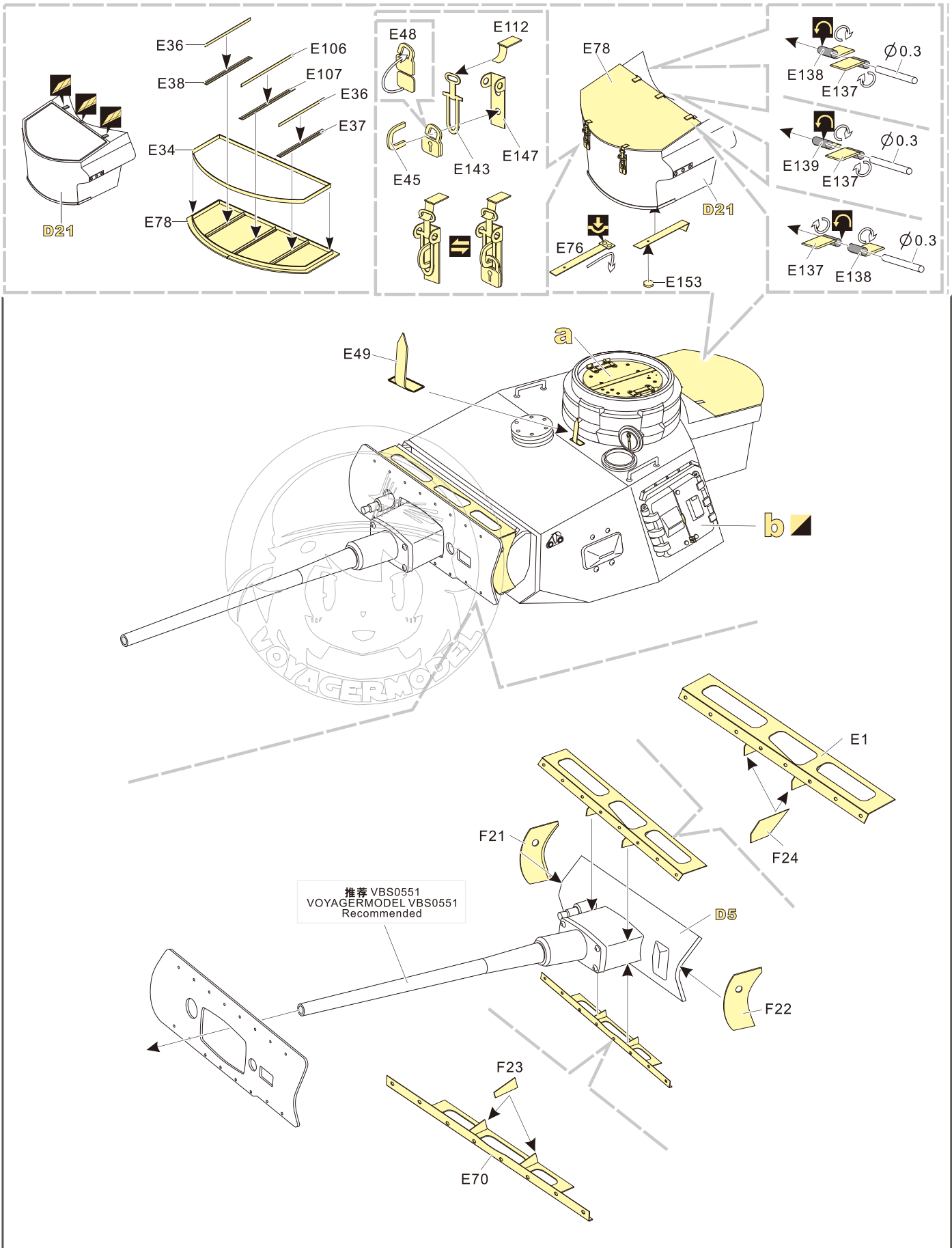
- 
 安装
install
- 
 折叠
bend
- A1**
 改造件零件编号
PE/resin part number
- B12**
 原零件编号
kit part number
- C22**
 被替换的原零件编号
replaced kit part number
- 
 另一侧相同制作
repeat on opposite side
- 
 切除
remove
- 
 打磨
grind off
- 
 弧度卷曲
radial bending
- x2**
 制作若干组
multiple assembly
- 
 选择安装
alternative
- 
 用铜管制作
make from brass tube
- 
 钻孔
drill


 用尖端在凹槽处冲压
use penpoint to press on the dent

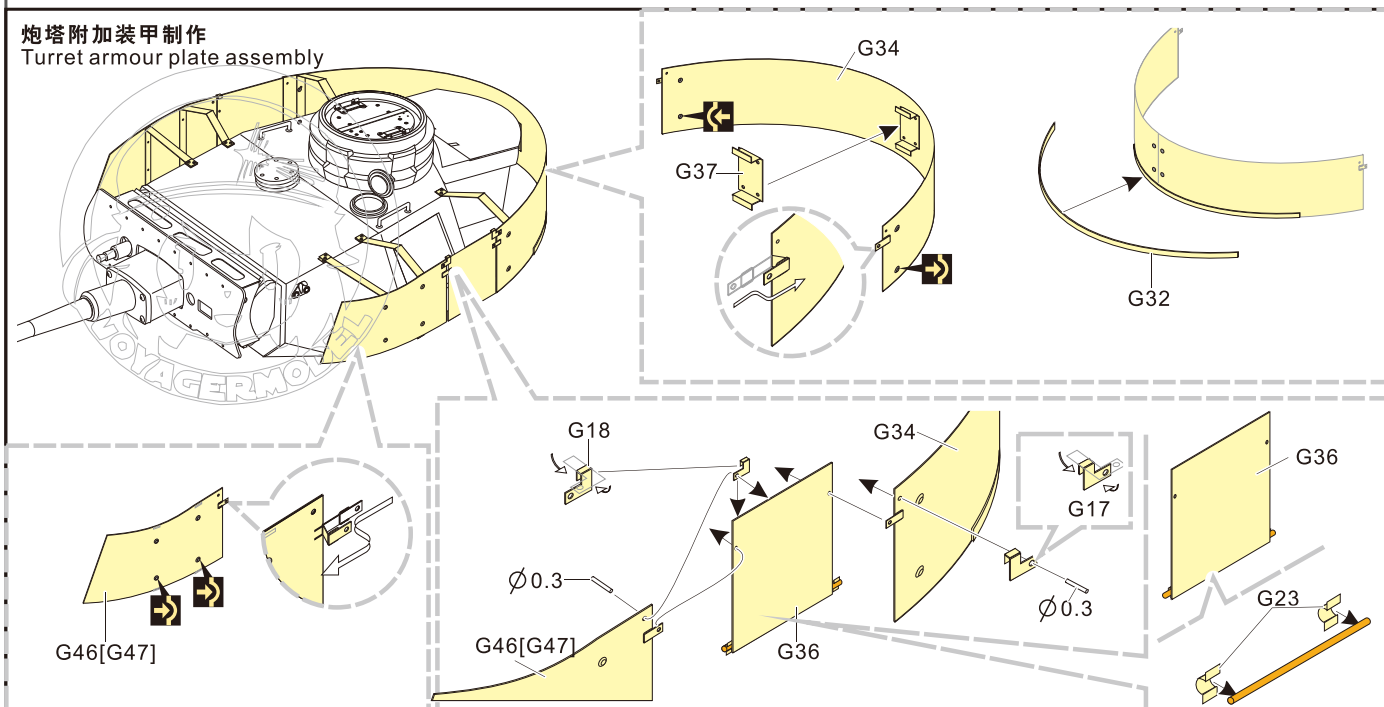
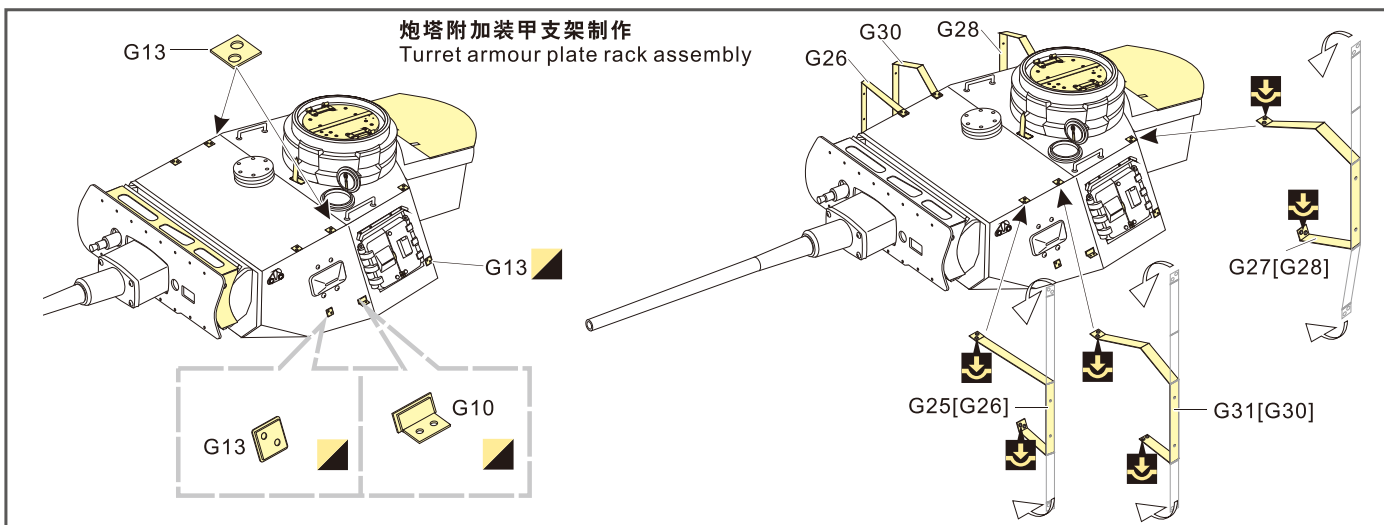
蚀刻片零件内侧面向上
Put the part upside down
用笔尖在凹槽处刺
Use penpoint to press on the dent

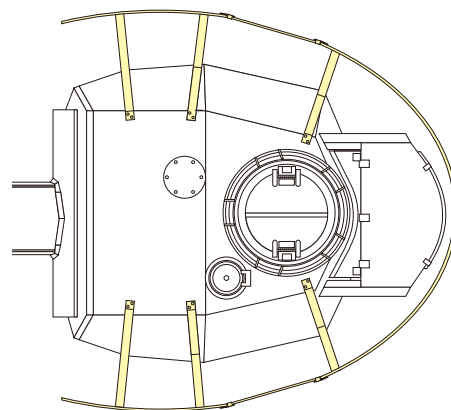
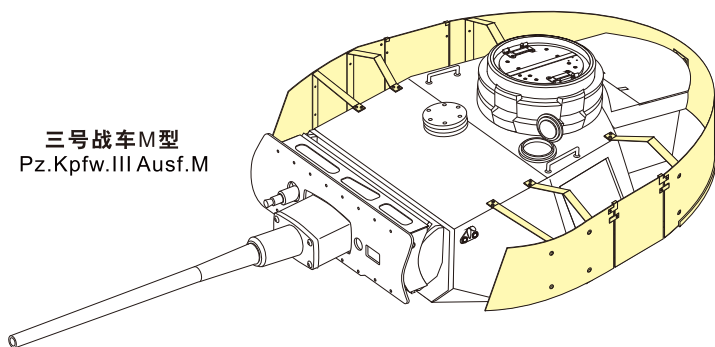
1/35 MILITARY MINIATURE VEHICLE UPGRADE SERIES PE351125



1/35 MILITARY MINIATURE VEHICLE UPGRADE SERIES PE351125

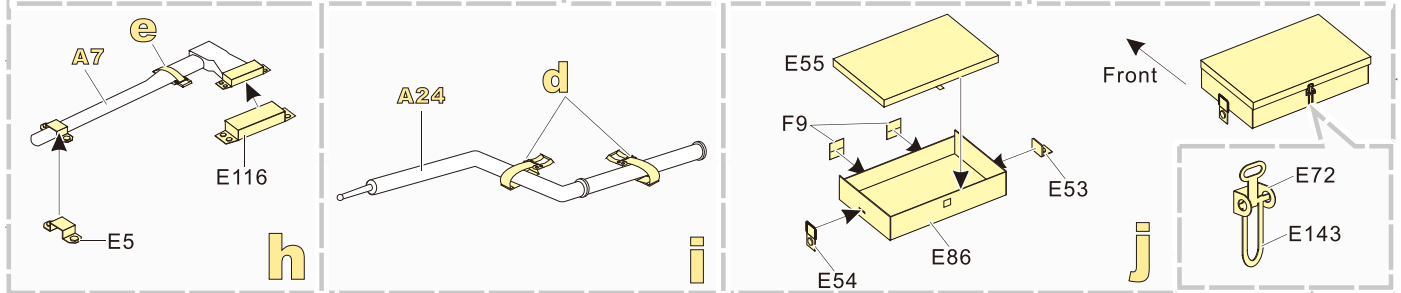
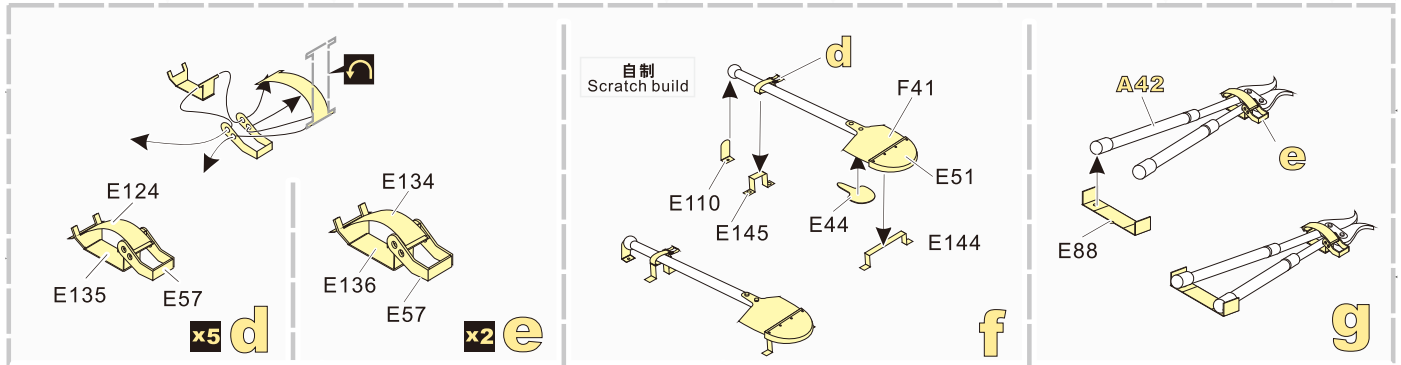
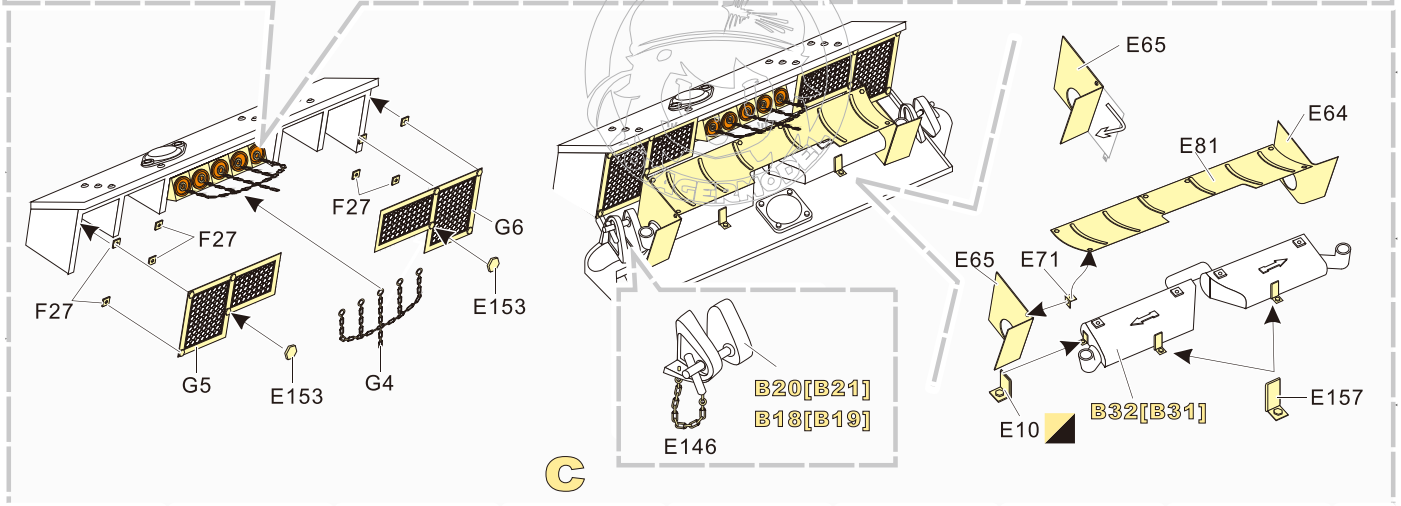
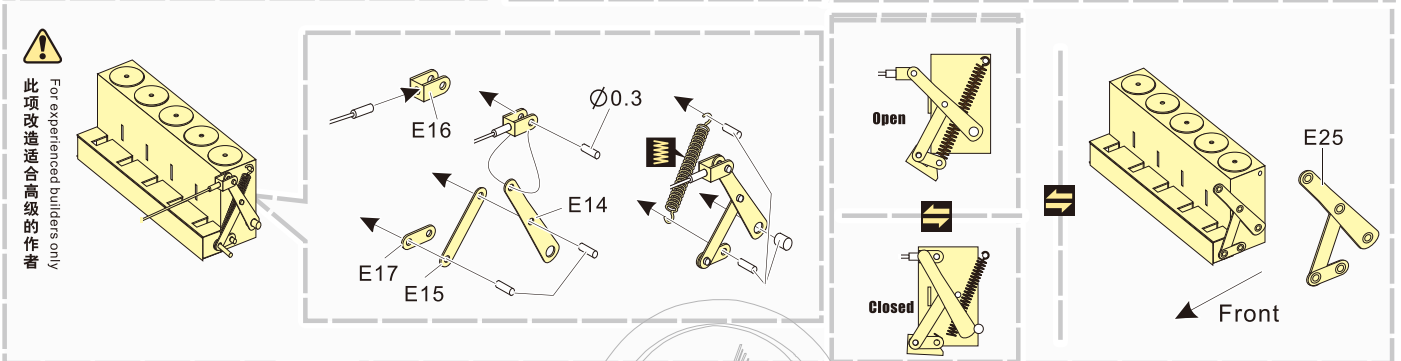
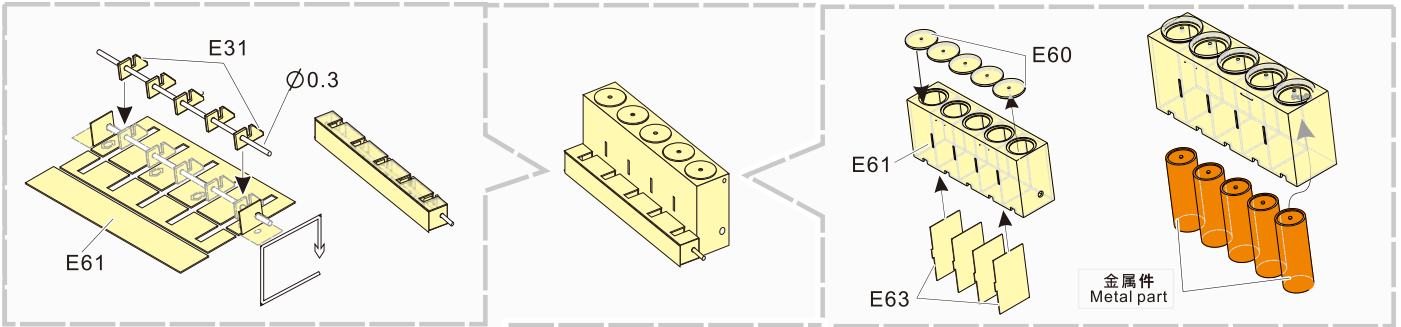


不同型号炮塔样式
Various turret layout for different types

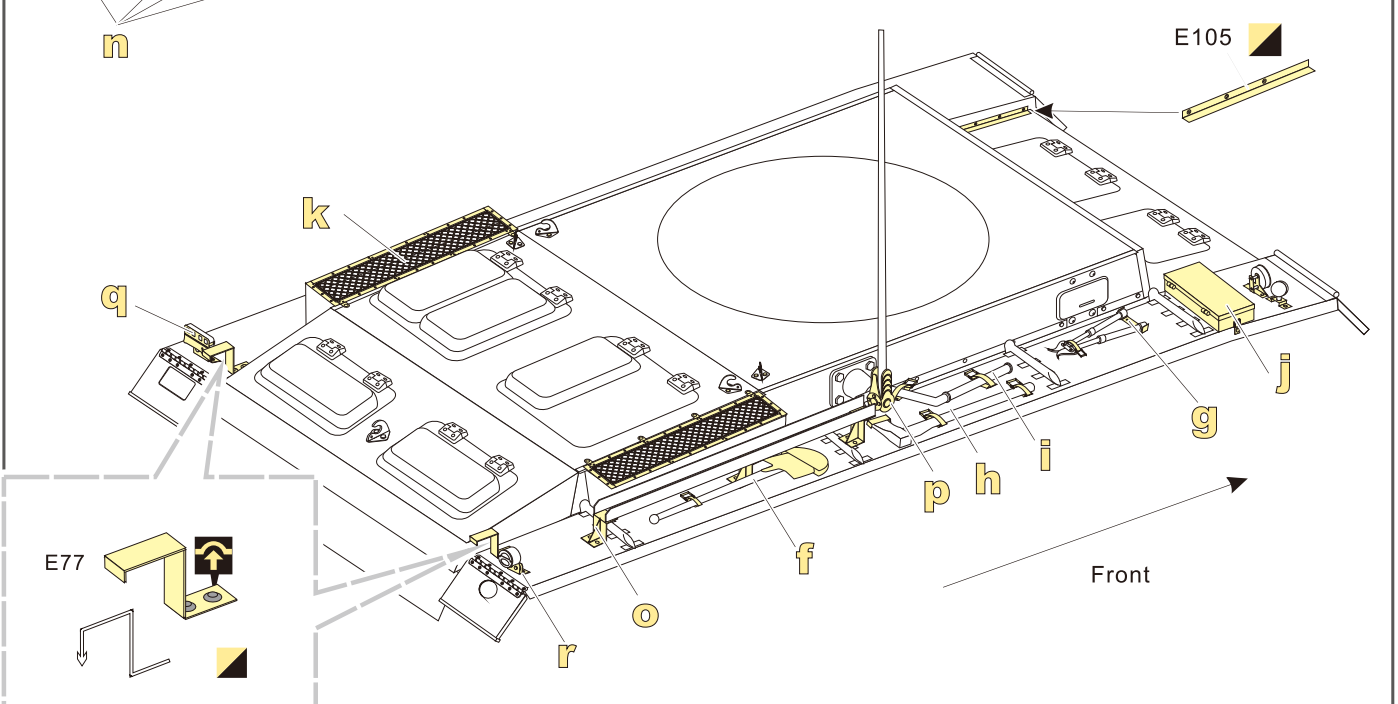
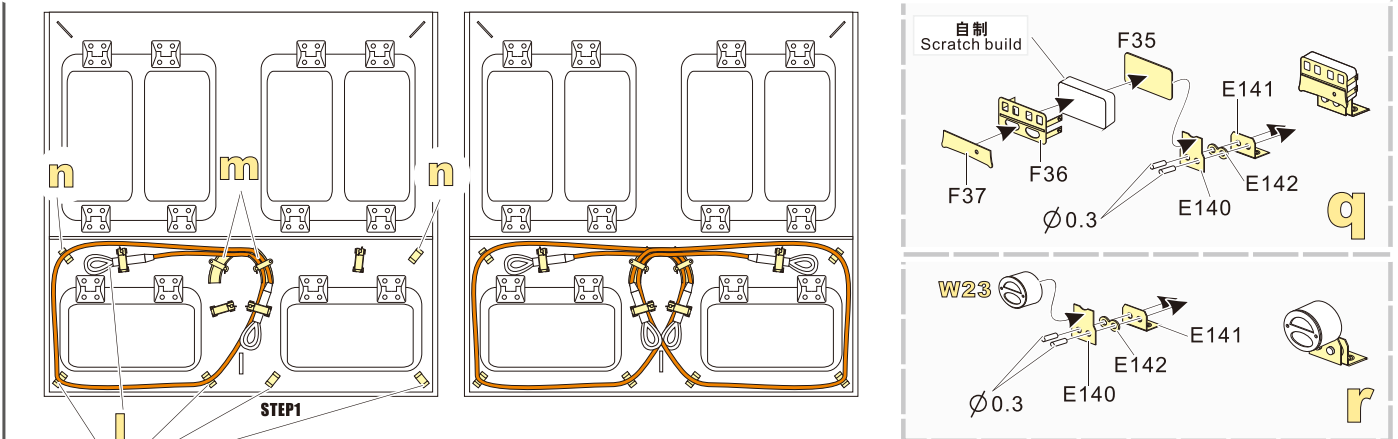
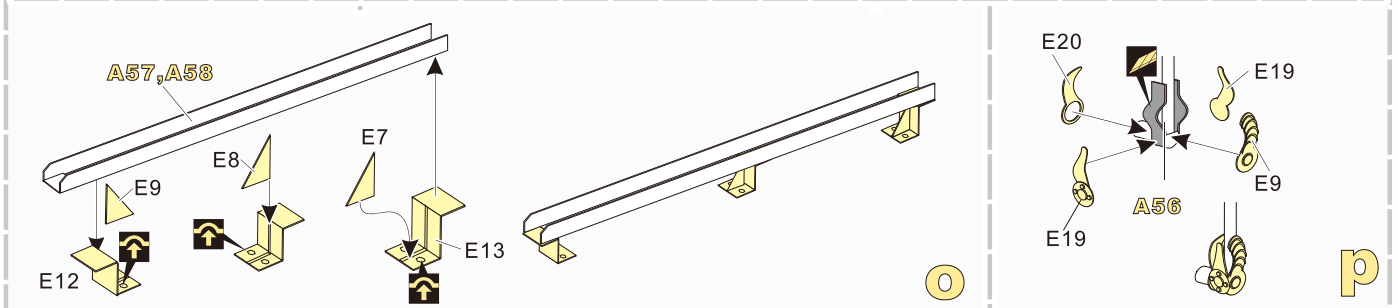
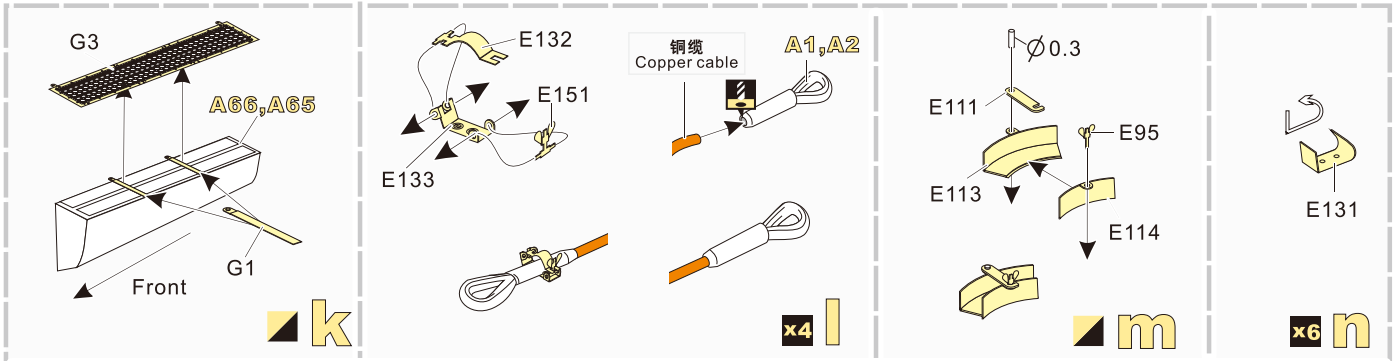


装甲，支架与炮塔的安装位置
Armour plate connection detail

1/35 MILITARY MINIATURE VEHICLE UPGRADE SERIES PE351125

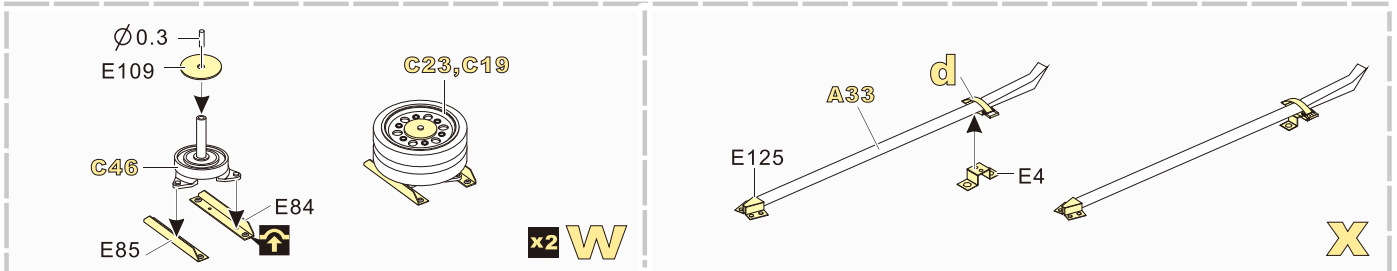
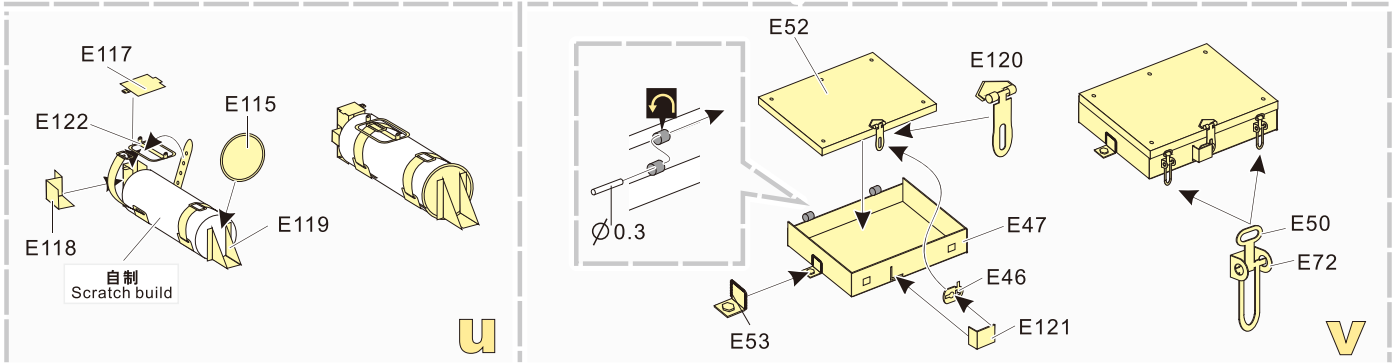
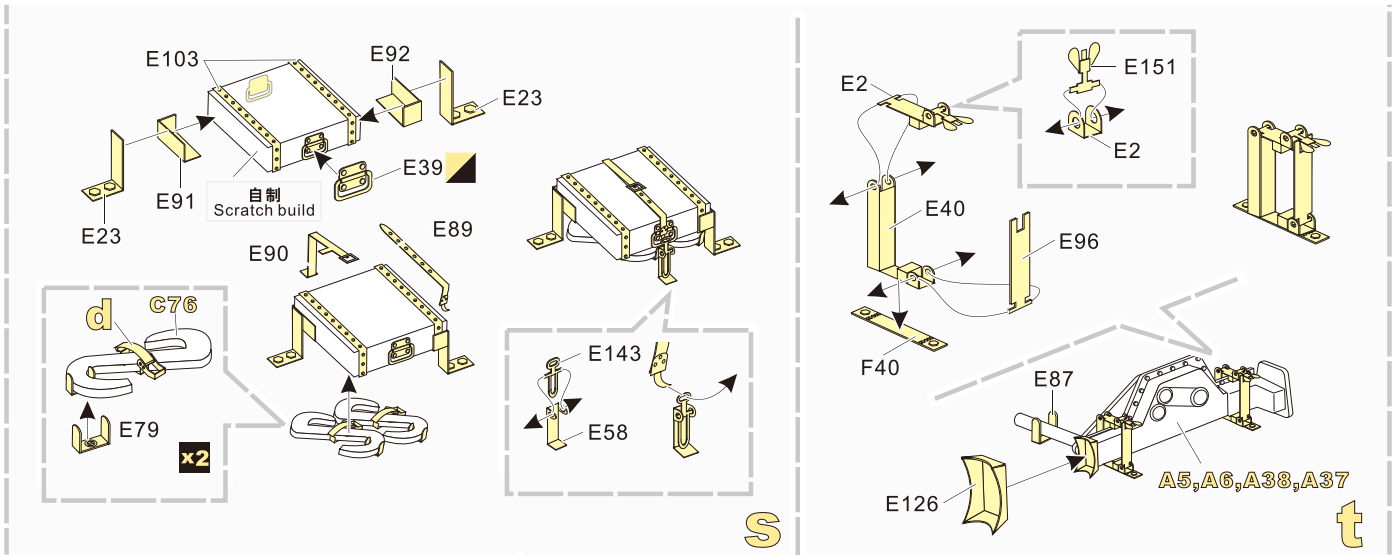
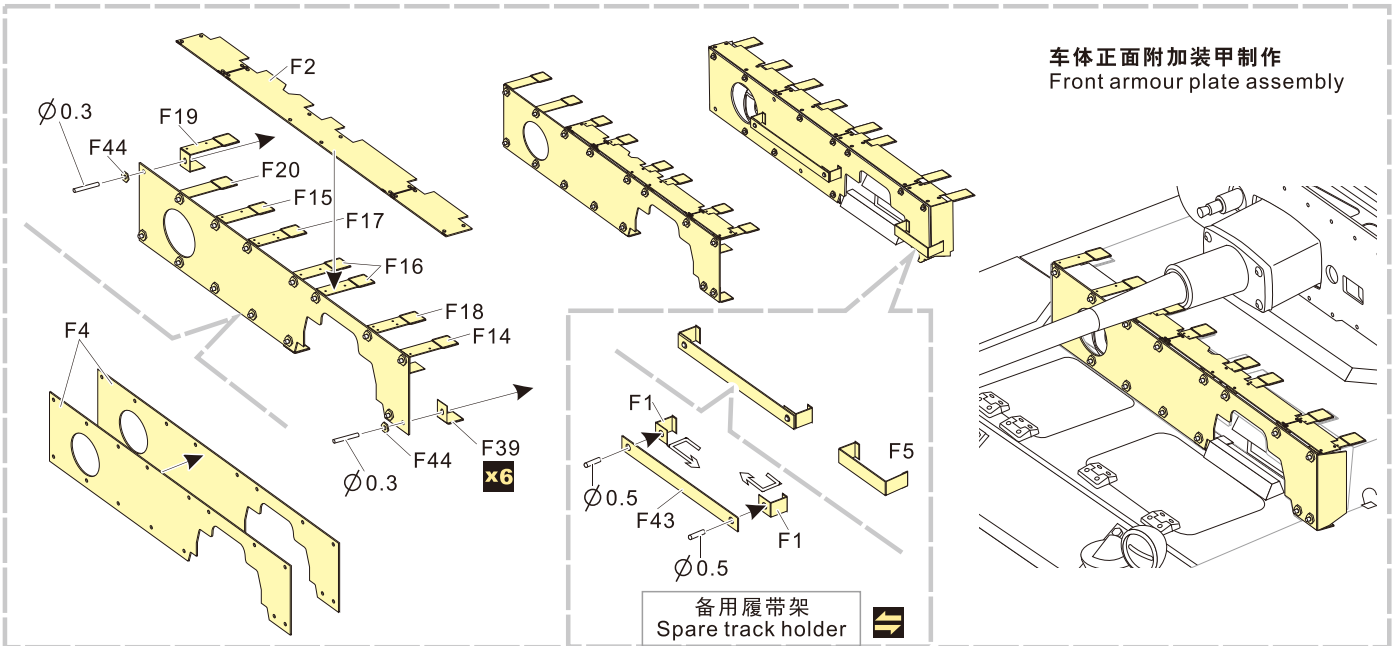


1/35 MILITARY MINIATURE VEHICLE UPGRADE SERIES PE351125



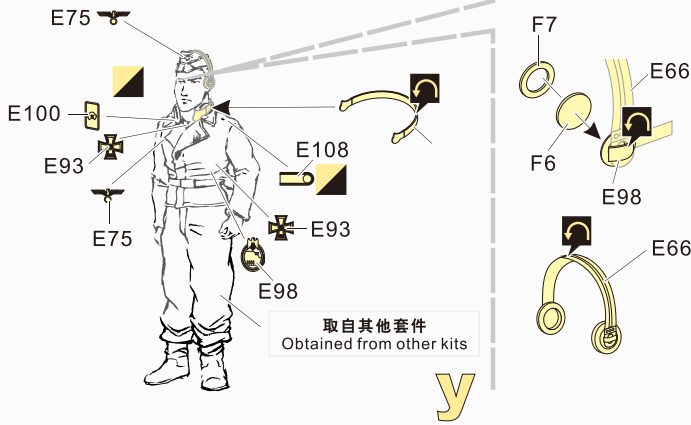
1/35 MILITARY MINIATURE VEHICLE UPGRADE SERIES PE351125

车体正面附加装甲制作
Front armour plate assembly



1/35 MILITARY MINIATURE VEHICLE UPGRADE SERIES PE351125

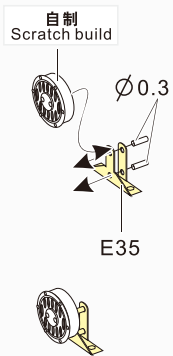
[Http://www.voyagermodel.com/productdetails.asp?itemid=PE351125](http://www.voyagermodel.com/productdetails.asp?itemid=PE351125)



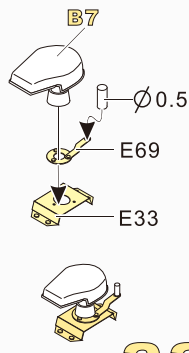
**VOYAGER
MODEL**



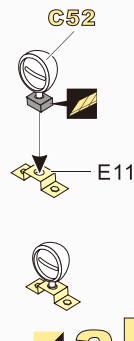
更多PE351125样品照片参考请扫一扫
MORE PICTUER OF PE 351125
REFERENCE SCAN HERE



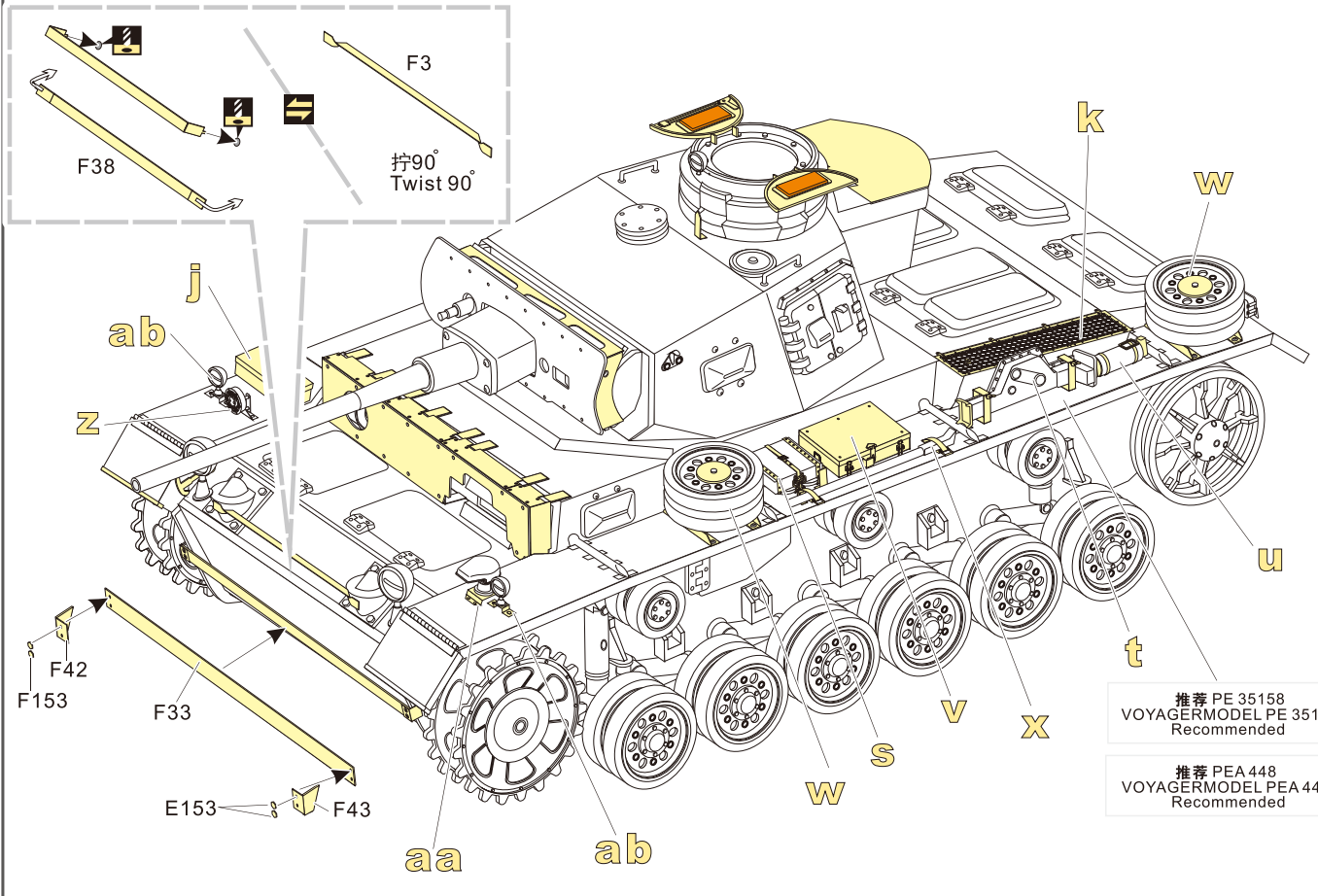
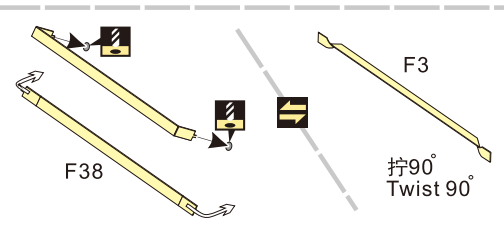
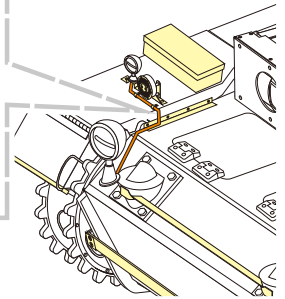
z



aa



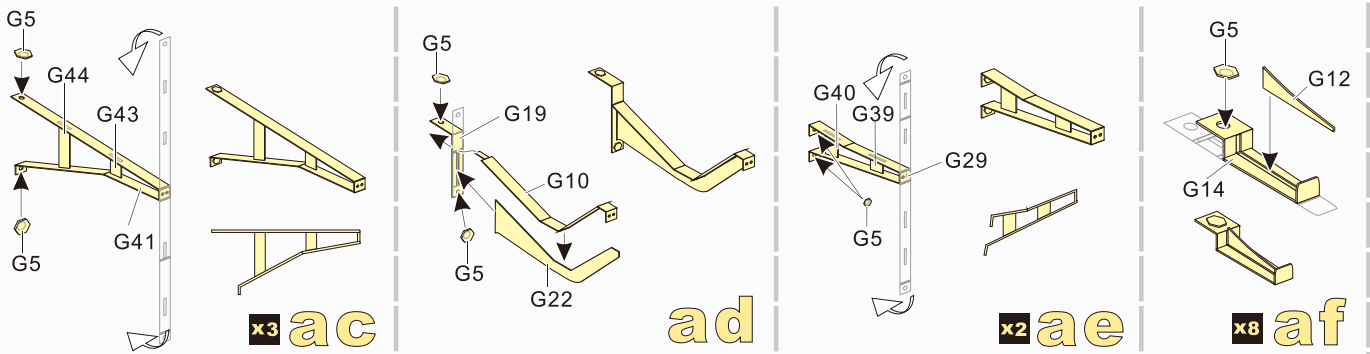
ab



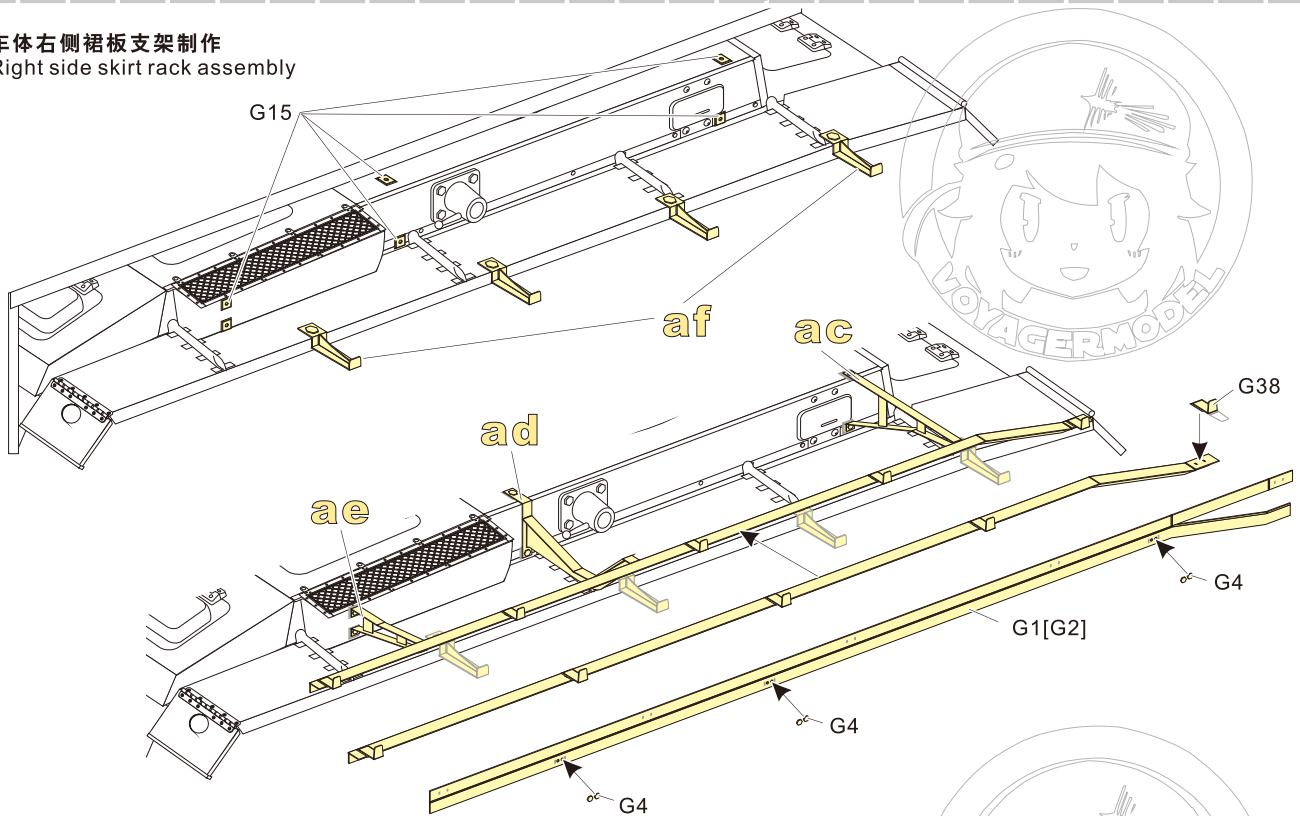
推荐 PE 35158
VOYAGERMODEL PE 35158
Recommended

推荐 PEA 448
VOYAGERMODEL PEA 448
Recommended

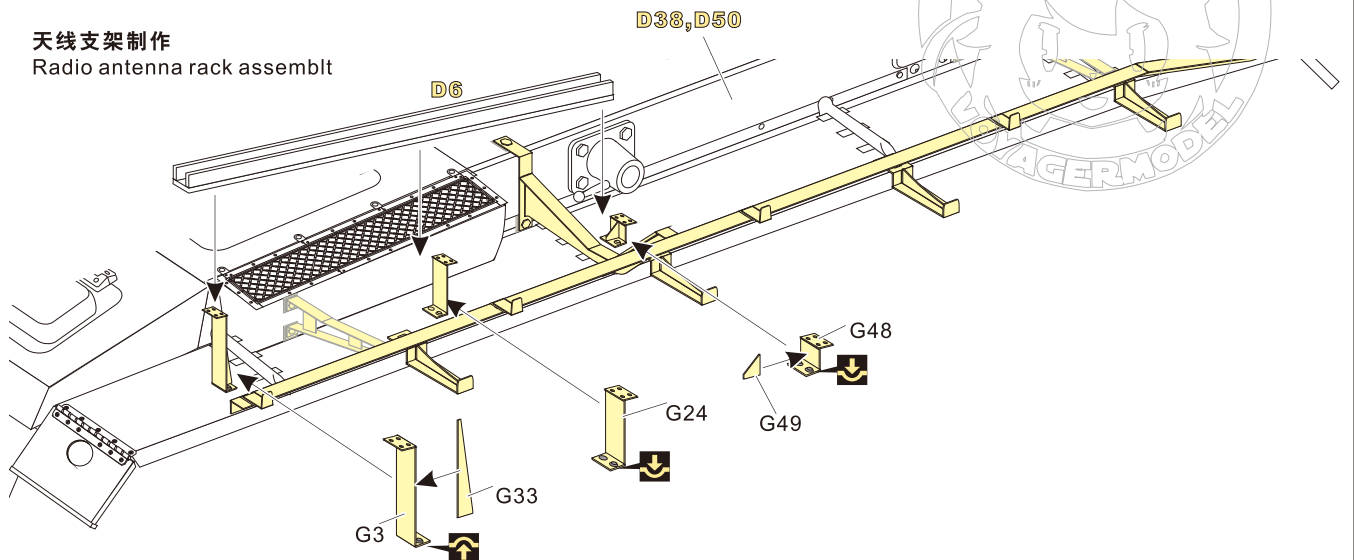
1/35 MILITARY MINIATURE VEHICLE UPGRADE SERIES PE351125



车体右侧裙板支架制作
Right side skirt rack assembly

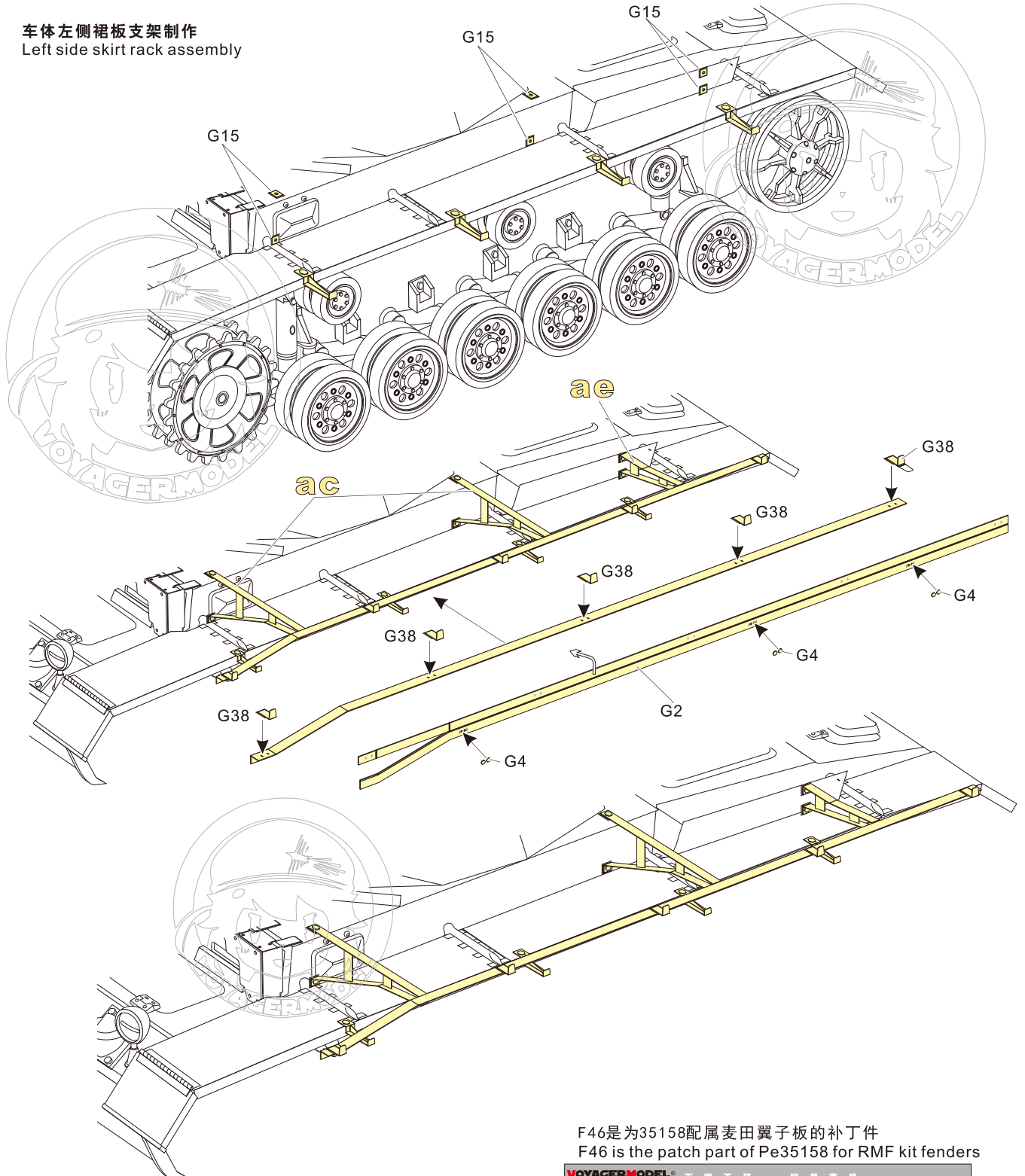


天线支架制作
Radio antenna rack assembly



1/35 MILITARY MINIATURE VEHICLE UPGRADE SERIES PE351125

车体左侧裙板支架制作
Left side skirt rack assembly



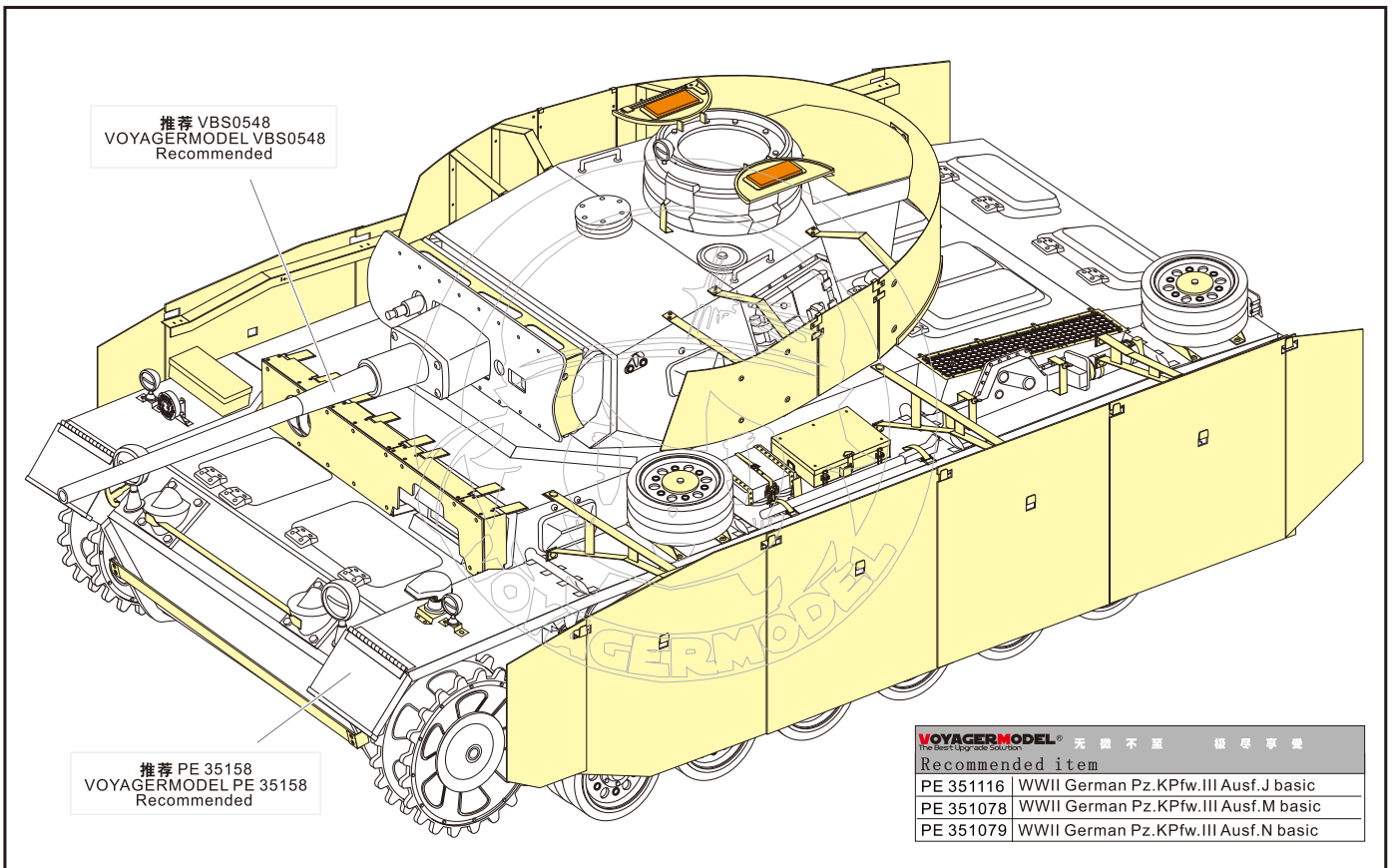
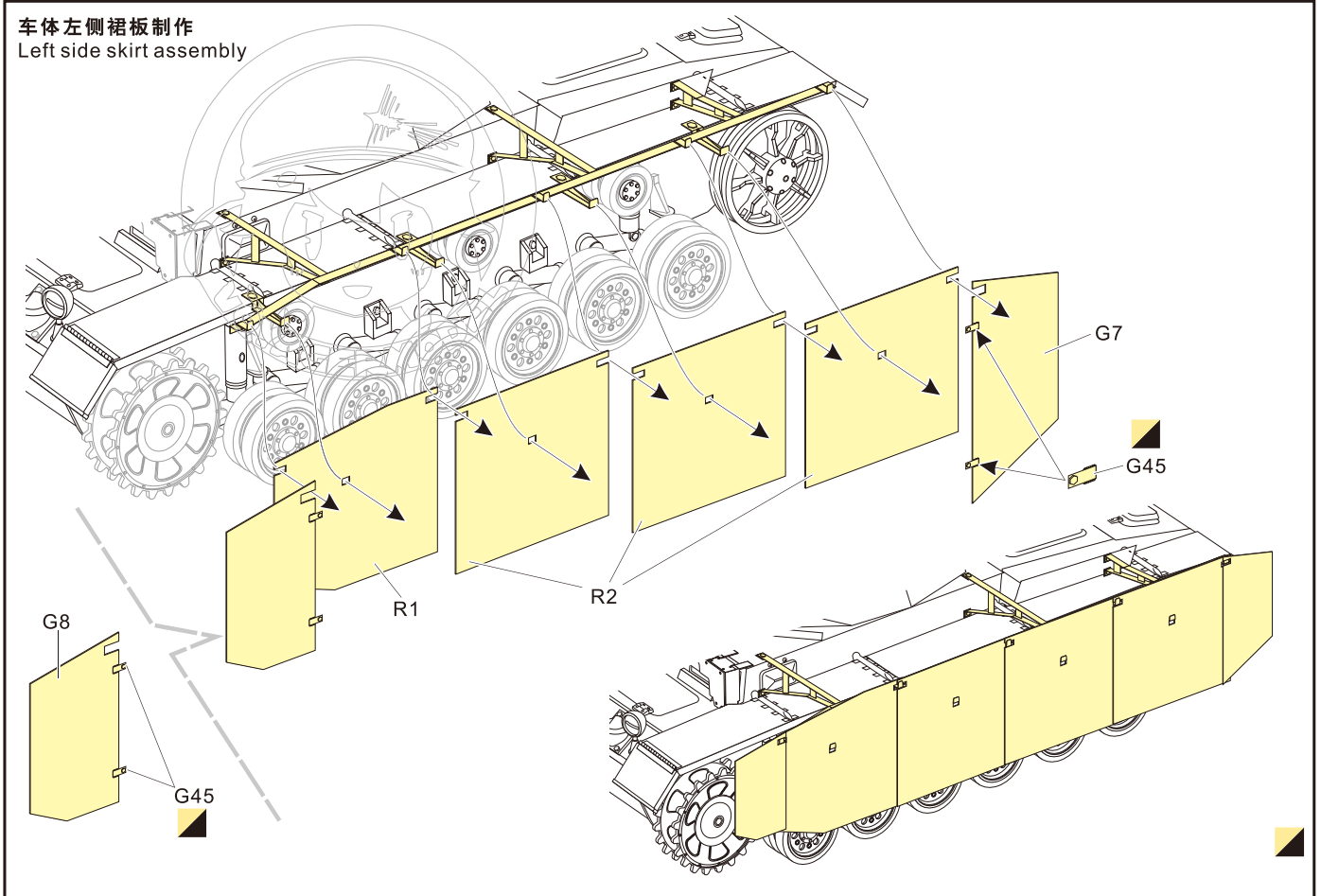
F46是为35158配属麦田翼子板的补丁件
F46 is the patch part of Pe35158 for RMF kit fenders

VOYAGERMODEL® 无微不至 极致享受 Recommended item	
PE 35158	WWII German Pz.KPfw.III Mid-Late Production Fenders
PE 35157	WWII German Pz.KPfw.III Ausf.J DRAGON
VBS0511	WWII German 50mm KwK39 L/60 Gun Barrel (Pz.III used)
PE 35228	WWII Pz.KPfw. III Ausf L
PE 35238	WWII German Pz.Kpfw.III Ausf.N
PE 35242	WWII German Pz.Kpfw.III Ausf.N sPz.Abt 501 Afrika
PEA 108	WWII German Pz.KPfw.III Late Production Damaged Road Wheels
PEA 448	WWII German Pz.Kpfw.III Ausf.M/N Additional Armour

VOYAGERMODEL® 无微不至 极致享受 Recommended item	
PE 35294	WWII German StuG.III Ausf.G Late Production Basic
PE 35121	WWII German StuG.III Ausf.G Early Production Basic
PE 35337	WWII Pz.KPfw. III Ausf N late version
PE 35356	WWII Finnish army StuG.III basic
PE 35863	WWII German Pz.KPfw.III Ausf.M basic
PE 35476	WWII German STUG III. Ausf.SIG33
PE 35630	WWII German StuG.III Ausf.G Late Production Basic
PE 351078	WWII German Pz.KPfw.III Ausf.M basic
PE 351079	WWII German Pz.KPfw.III Ausf.N basic

1/35 MILITARY MINIATURE VEHICLE UPGRADE SERIES PE351125

车体左侧裙板制作
Left side skirt assembly



推荐 VBS0548
VOYAGERMODEL VBS0548
Recommended

推荐 PE 35158
VOYAGERMODEL PE 35158
Recommended

VOYAGERMODEL® 无微不至 极尽享受	
Recommended item	
PE 351116	WWII German Pz.KPfw.III Ausf.J basic
PE 351078	WWII German Pz.KPfw.III Ausf.M basic
PE 351079	WWII German Pz.KPfw.III Ausf.N basic