

Color	Mr.Hobby	Vallejo	Model Master	Tamiya	Humbrol
A Tire Black 除黑色	H 77 137	-	-	-	-
B Russian Green(2) 苏联绿	H 14 136	823	-	-	-
C Black 黑色	H 2 2	861	1747	X1	21
D Clear Red 透明红	H 90 47	934	-	X27	-
E Clear Orange 透明橙	H 92 49	935	-	X26	-
F Steel 黑铁色	H 18 28	864	1402	-	-

1:35 Scale

Item No.:83846



Russian BM-13N 俄罗斯BM-13N火箭炮

ロシア BM-13 カチューシャロケット砲

PLEASE READ BEFORE OPERATION!

- * Tools recommended as below: (Not included)
Adhesives; Paints; Side Cutters; Sharp Edged Pliers; Modeling Knife; Modeling File; Nippers; Drill; Scissors; Sand Paper; Soft Cloth; Cyanoacrylate Glue.
- * Make sure to read this instruction listed below before assembling.
- * The kit contains the small parts, they can be dangerous if swallowed by mistake, so keep them away from reach of children.
- * Cut the all parts off carefully and remove the waste parts into the garbage can.
- * More caution and care should be needed for cutting and handling the photo etched parts.
- * Make attention that some parts should be attached the decal when assembled.
- * During assembling, please tear up and throw away the plastic bags, or may cause the dangerous if wearing over head by children's mistake.
- * When using the adhesives and paints, please do not use them in the closed room or near the fire, also must be very careful to protect your eyes, face and clothes.
- * Adult supervised when assembled by children under 14 years old.

装配前请仔细阅读:

- * 推荐使用的模型工具(请自备):
专用模型胶水, 专用模型油漆, 水口剪刀, 长咀钳, 刀片, 锉刀, 镊子钳, 钻, 剪刀, 软布, 砂纸, 瞬间快干胶等。
- * 用水口剪刀或刀片小心切下所有塑胶零件和蚀刻片零件, 不要遗失小零件。
- * 切取蚀刻片时应特别注意防止利边划伤手指。
- * 用模型锉刀小心锉平所有零件表面的注射浇口。
- * 用适量的强力快干胶水粘合蚀刻片零件和金属轴, 切忌过量, 否则可能导致可动零件被粘住。
- * 注意某些零件表面需在装配时同步贴水上贴纸。
- * 制作时应远离幼儿并将包装袋及时收妥, 谨防小孩玩耍而引起意外。



cyanoacrylate glue
强力胶



weight
配重



make hole
钻孔



cut / remove
切除



option
选择



no cement
不涂胶水



decal
贴纸



bend
弯曲



repair
填补

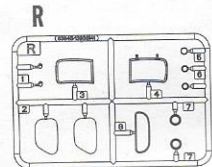
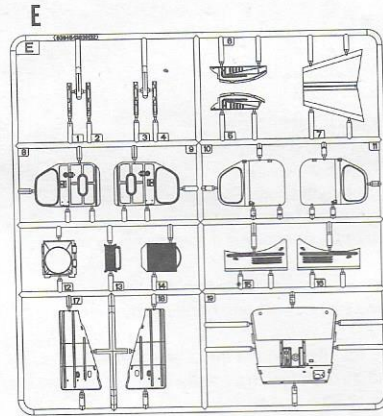
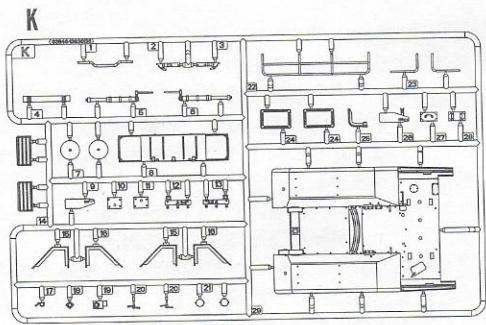
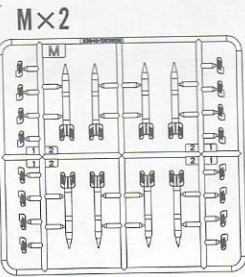
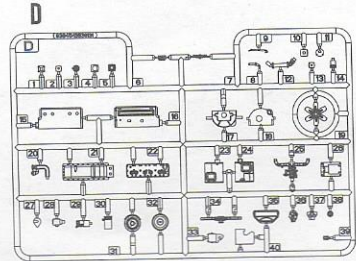
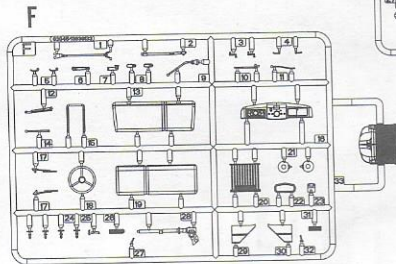
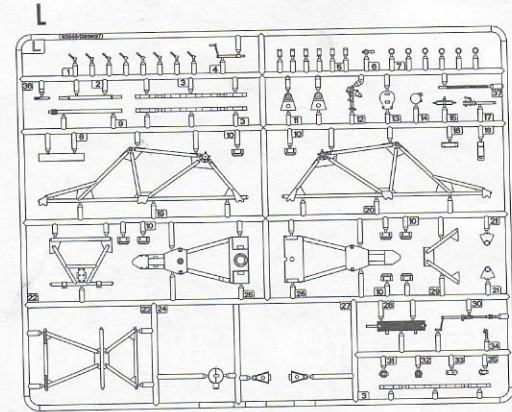
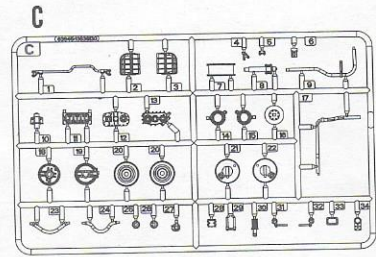
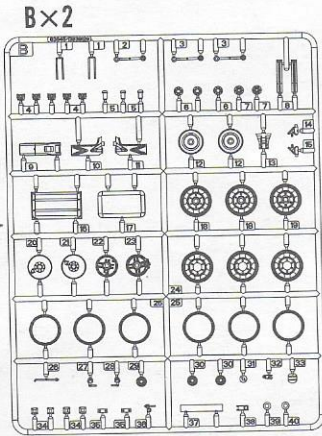
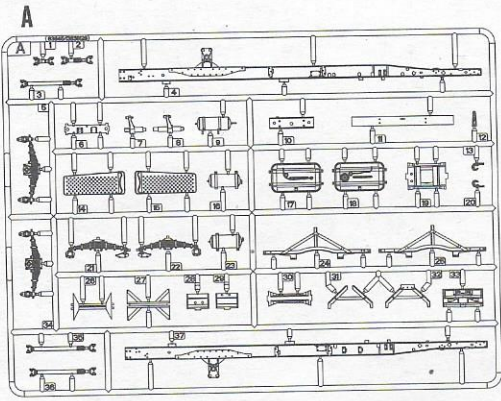
The method to apply the decals

1. Cut off the decal from the decal paper and put it into the warm water 40°C for 10 seconds.
2. Take the decal from the water and put it on a piece of clean cloth.
3. Remove the decal slowly from the paper to the targeted location by a wet finger.
4. Use a piece of dry and soft cloth to press it gently on the decal until it getting dry and no bubble existing.

水贴纸的使用方法:

- 一. 把相关的印花从水贴上剪下, 放入40°C左右的温水中浸10秒。
- 二. 然后将印花放在干净的布上。
- 三. 拿上印花纸板, 手指蘸水将印花移到适当的位置。
- 四. 用软干布轻压印花直至水干, 气泡消失。

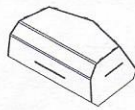
部品图
Parts



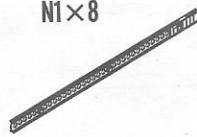
G1



W1



N1 x 8



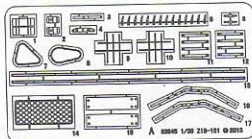
轮胎 x 12
Tyre x 12



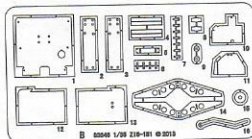
水贴
Decal



蚀刻片-A
PE-A

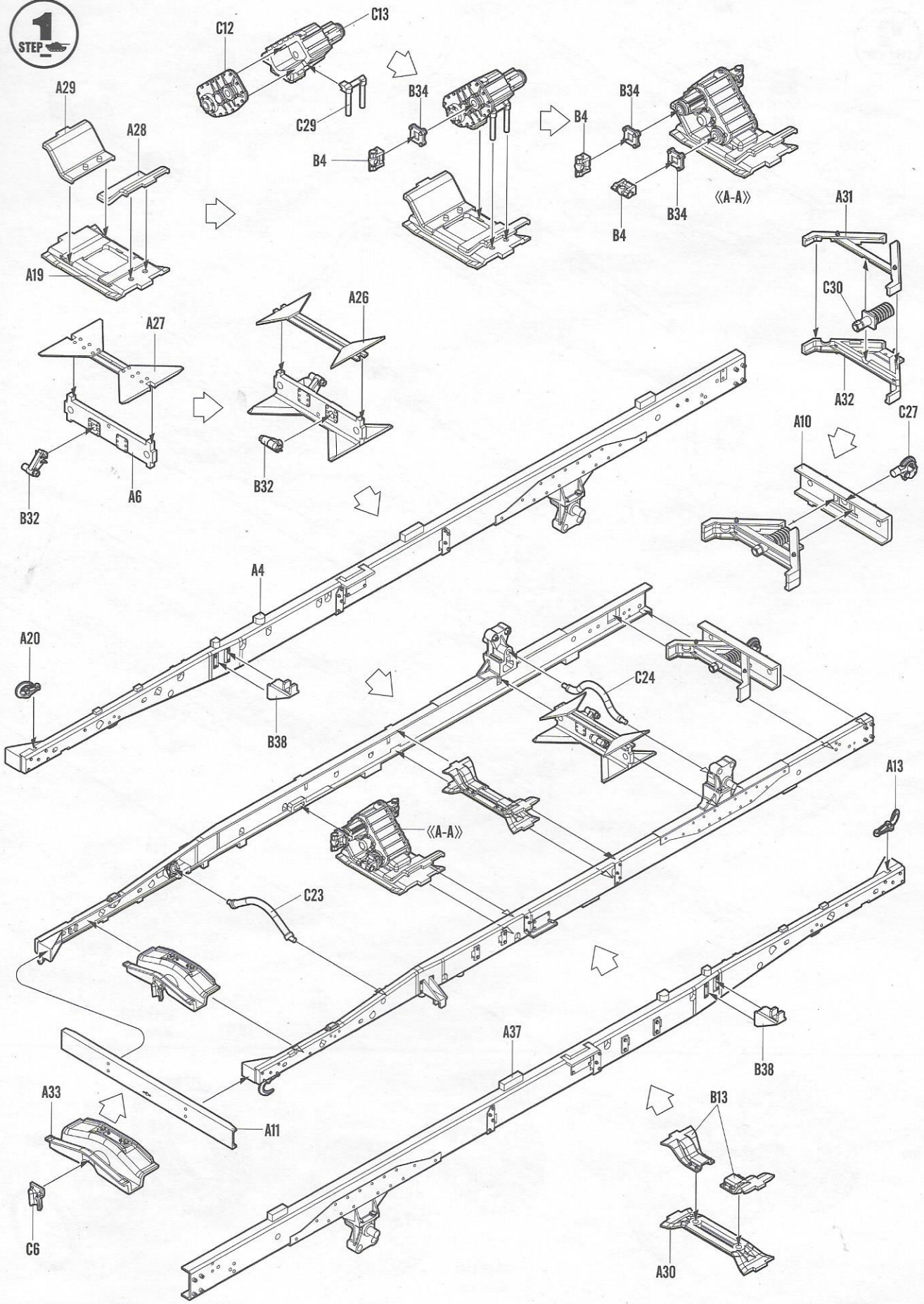


蚀刻片-B
PE-B



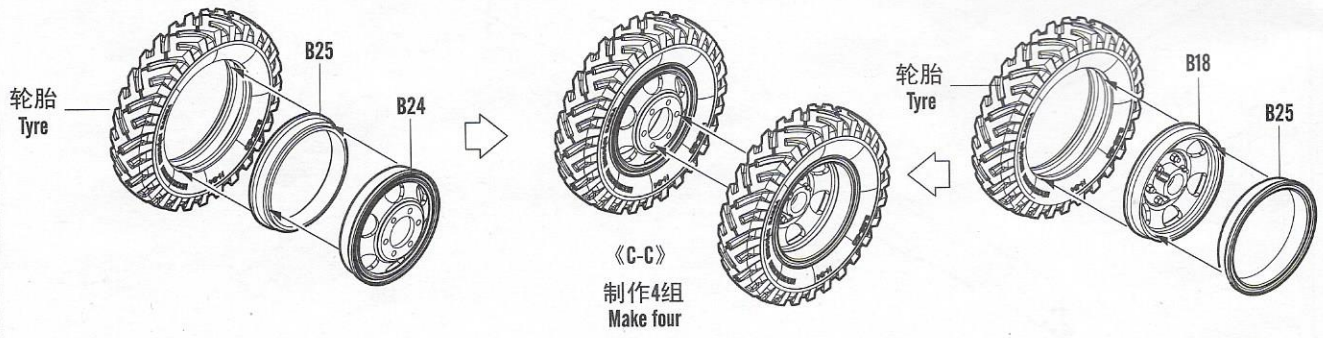
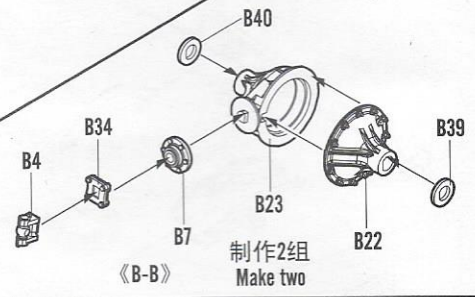
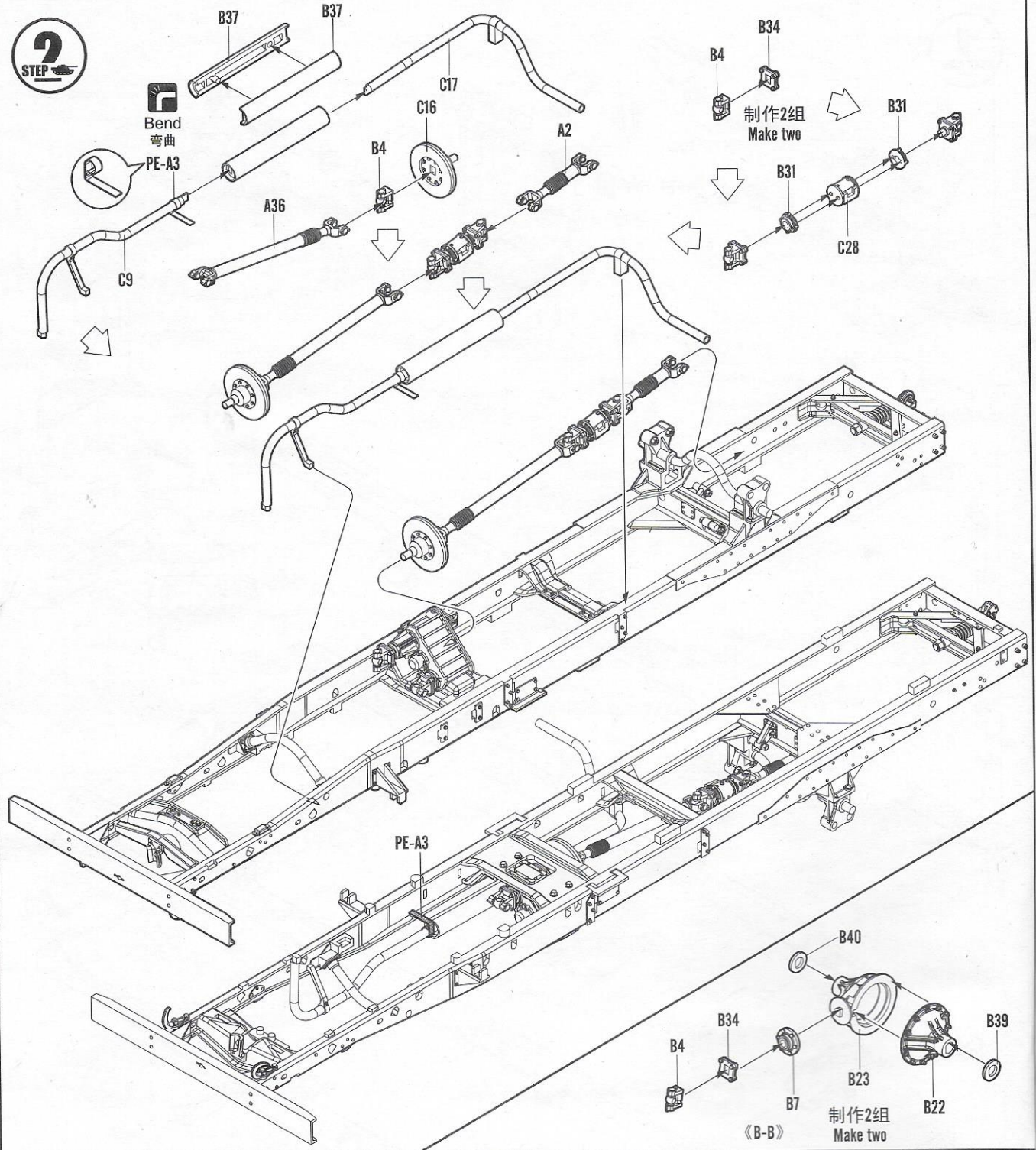
不用部品: PE-A11, PE-A12, PE-A13, PE-A15
Unused parts

1
STEP

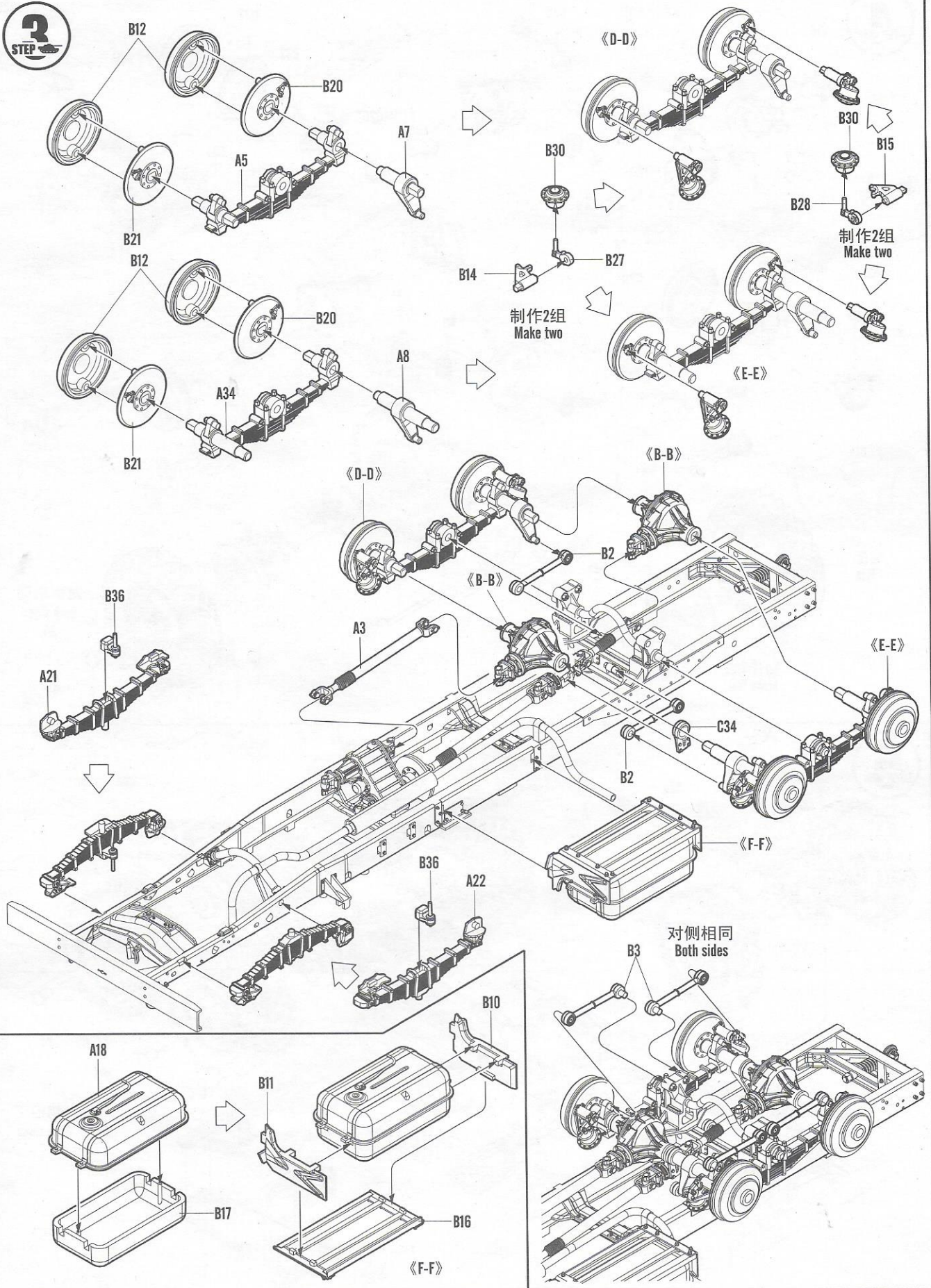


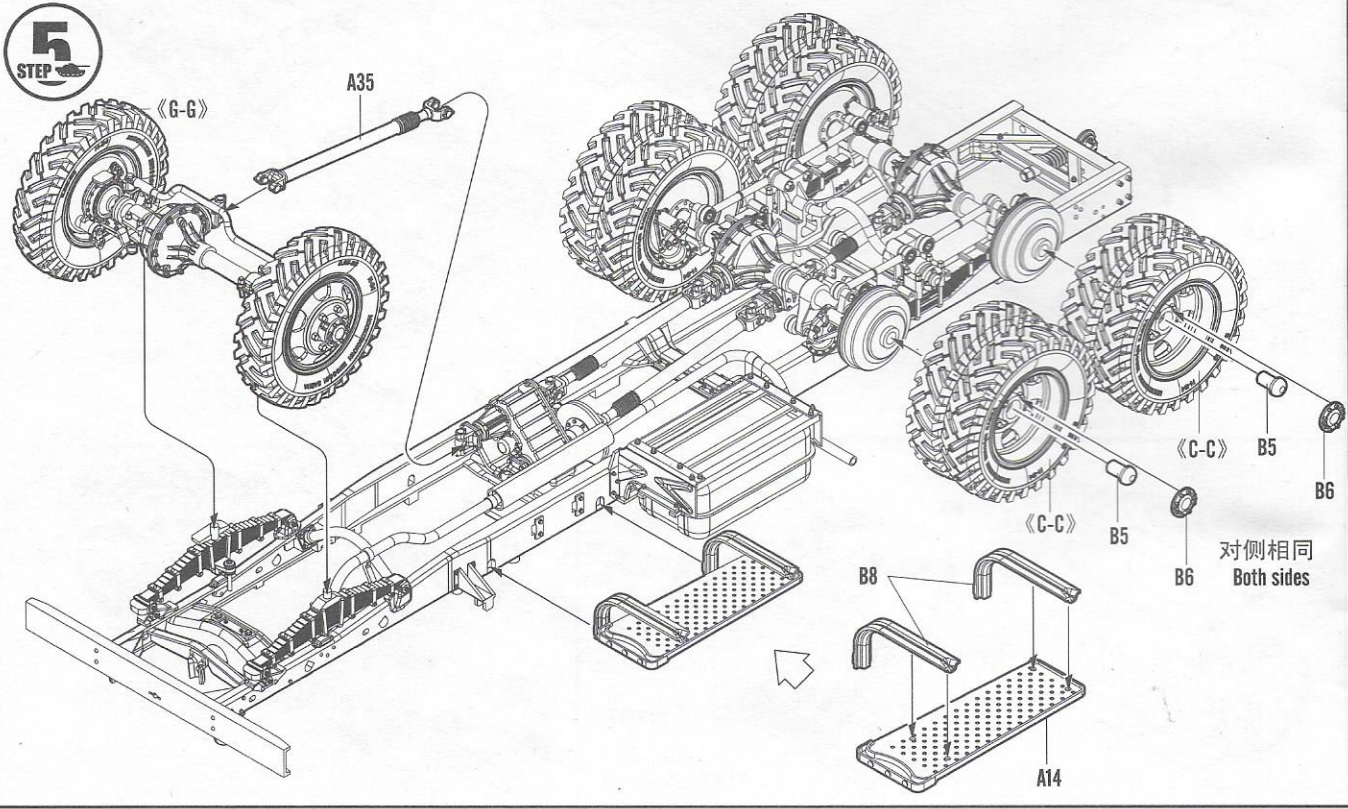
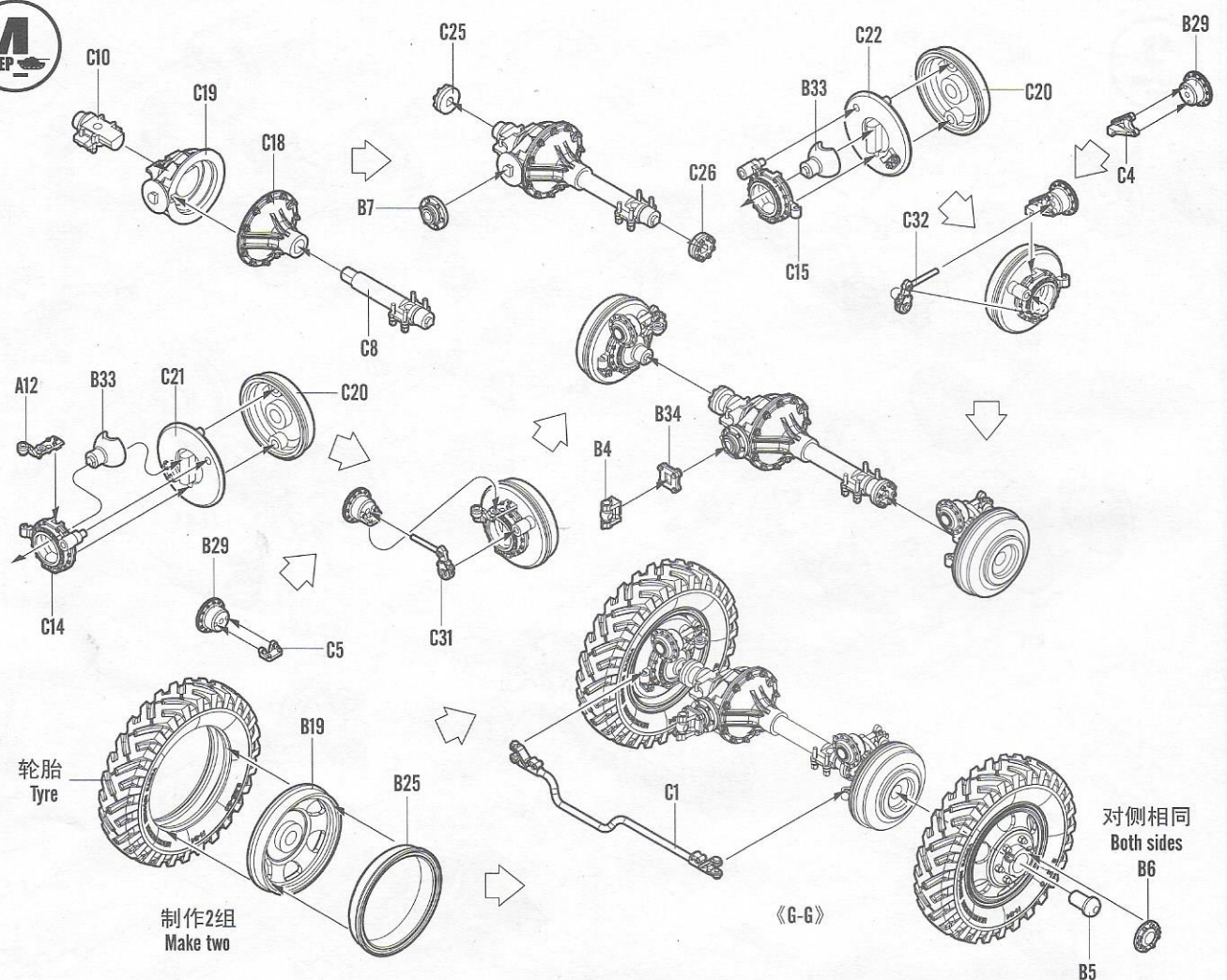
83846

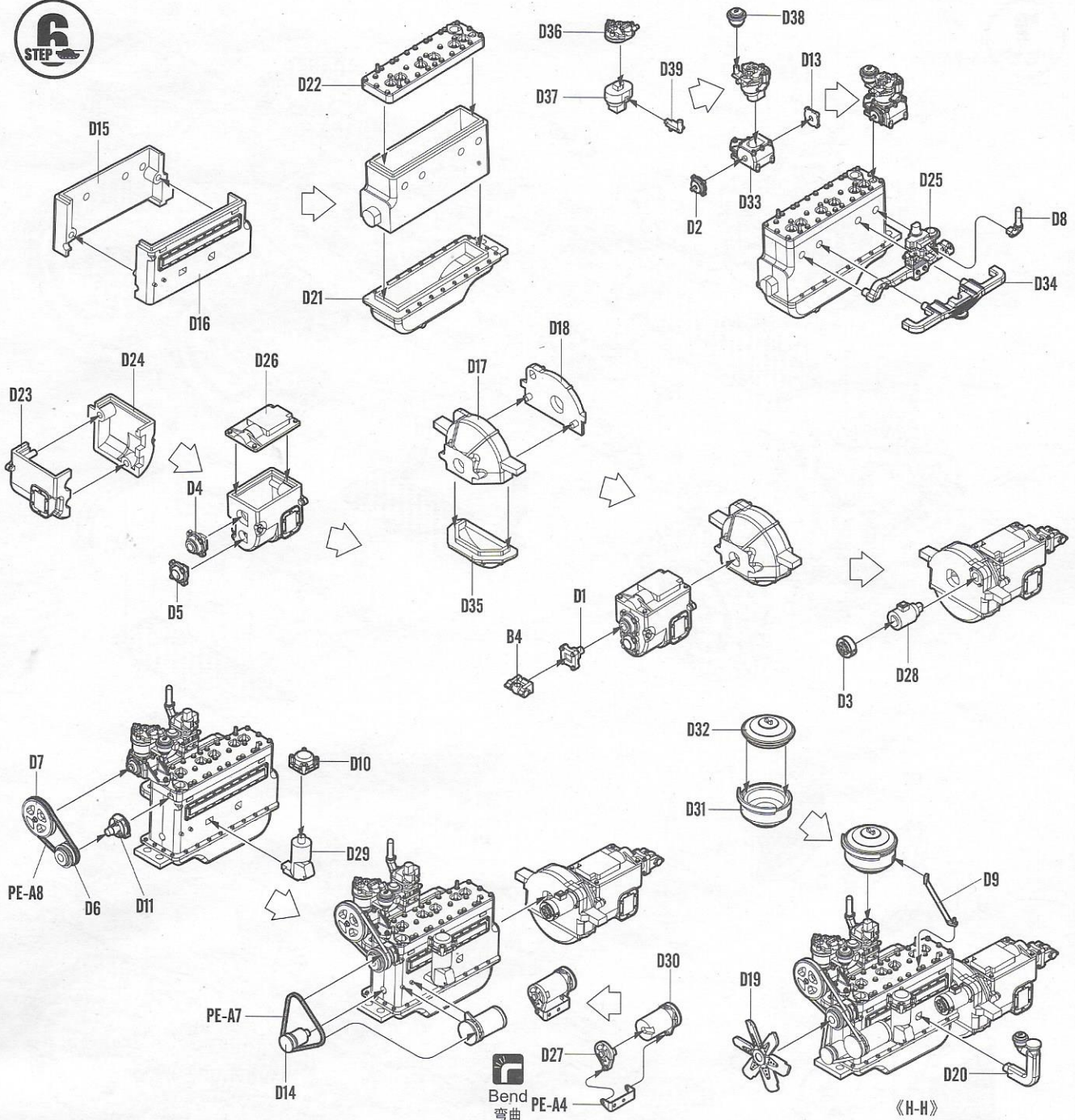
2
STEP



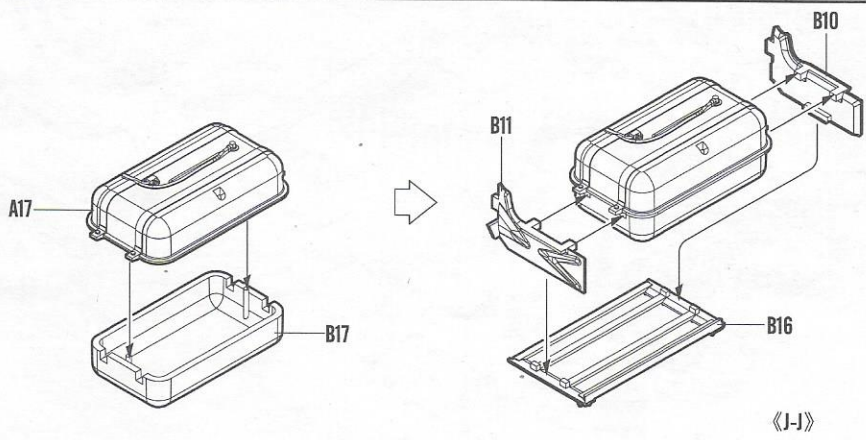
3
STEP





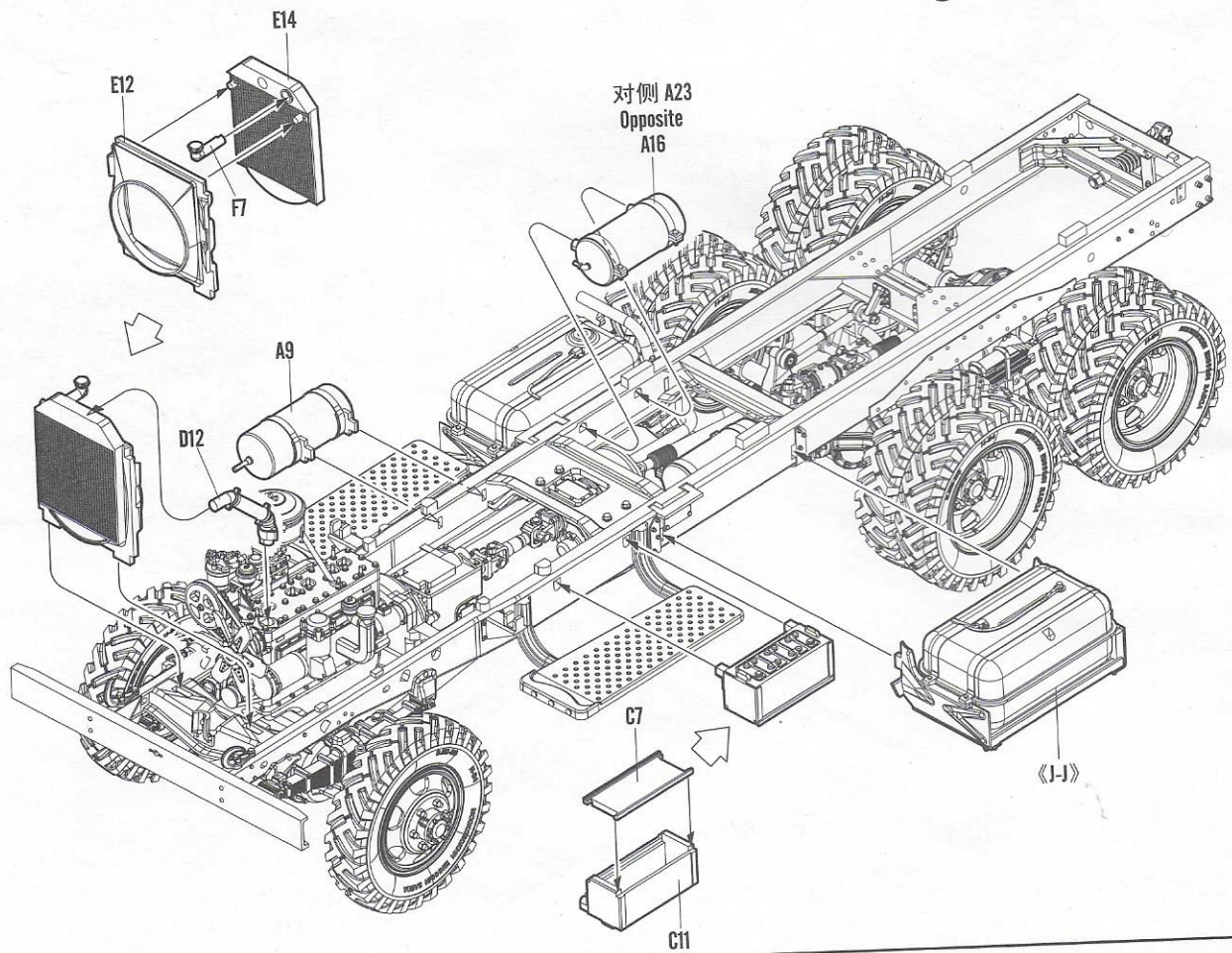
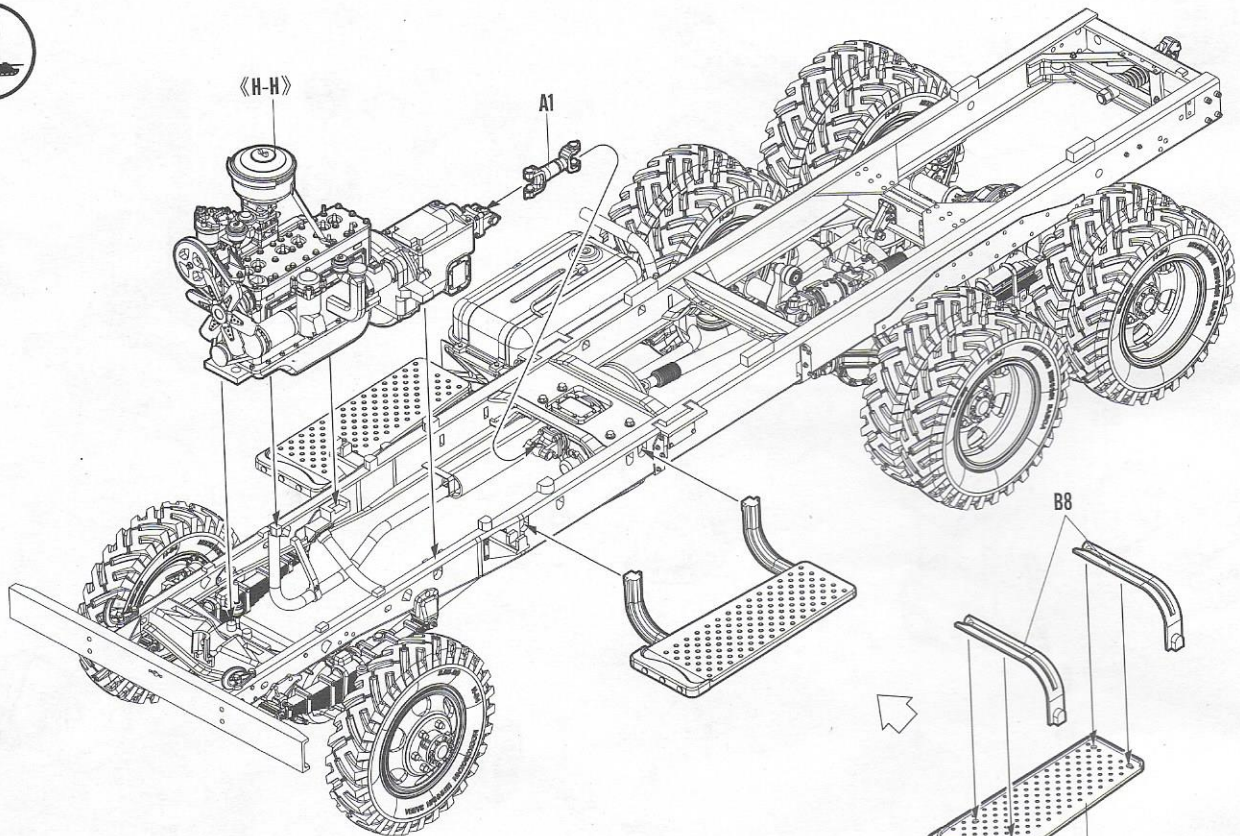


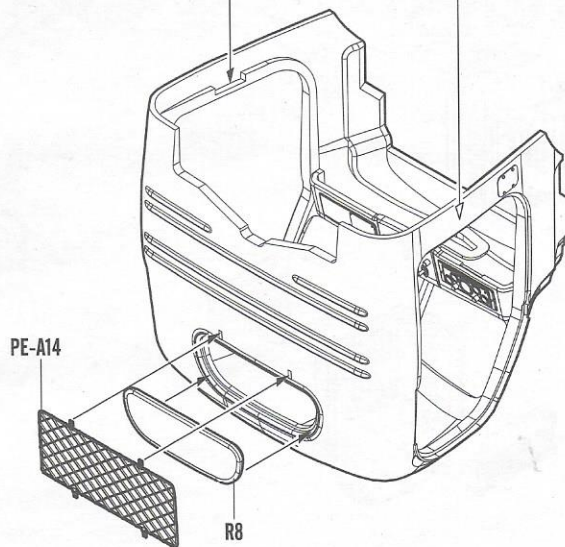
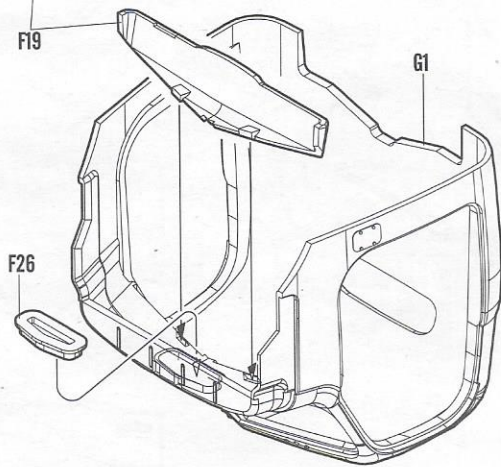
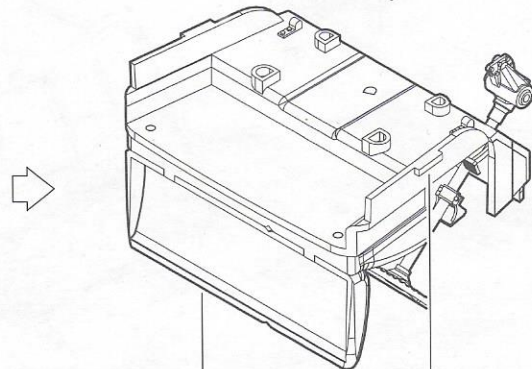
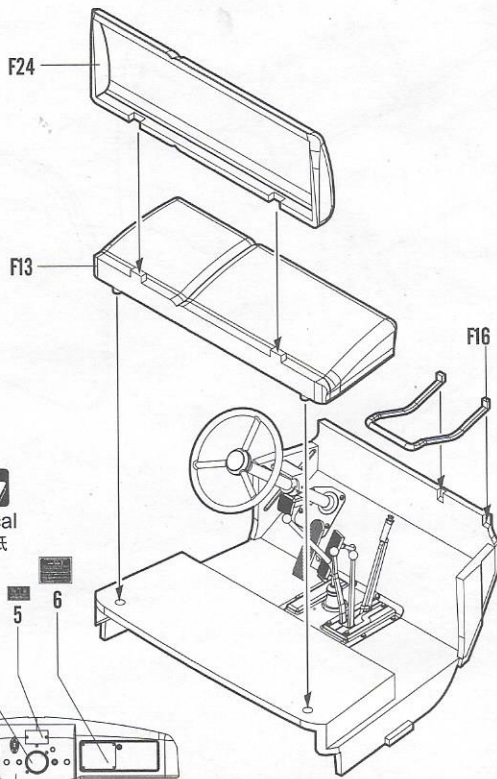
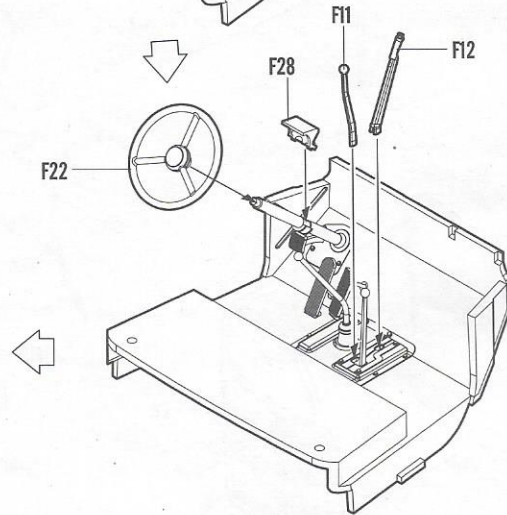
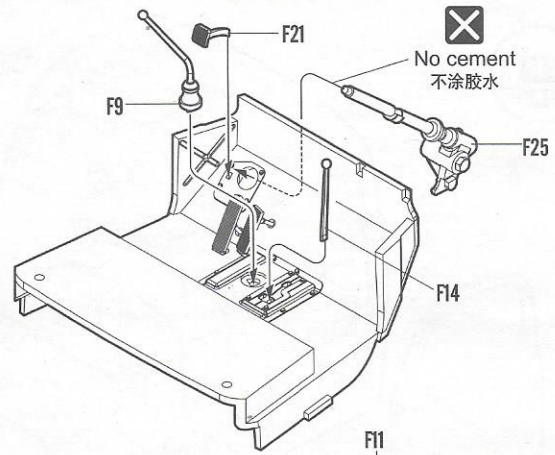
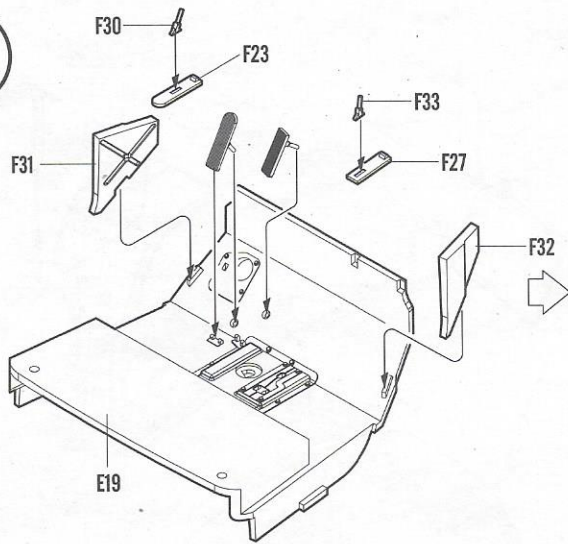
《H-H》

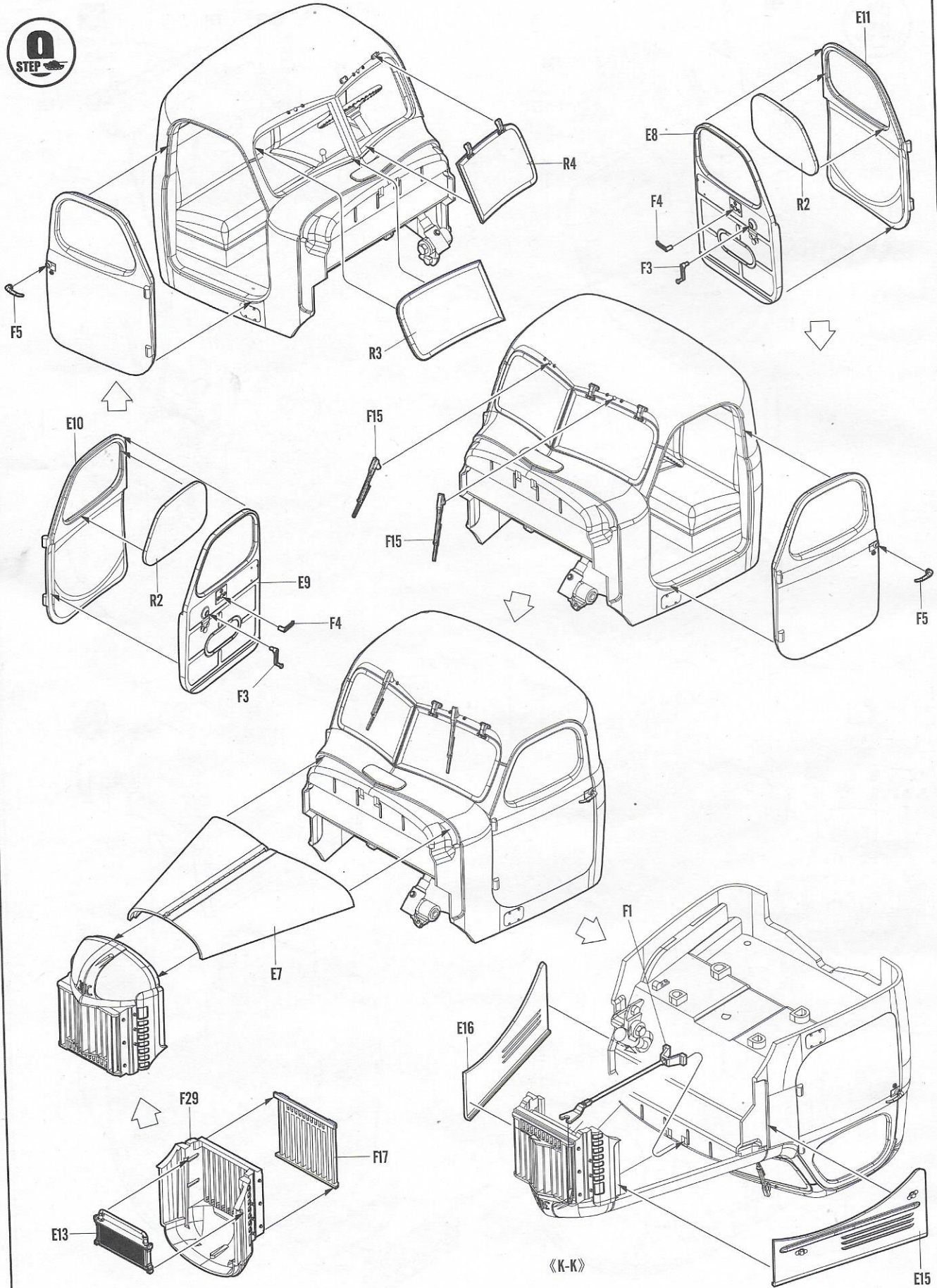


《J-J》

7
STEP



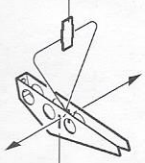




«K-K»

10
STEP

PE-B8

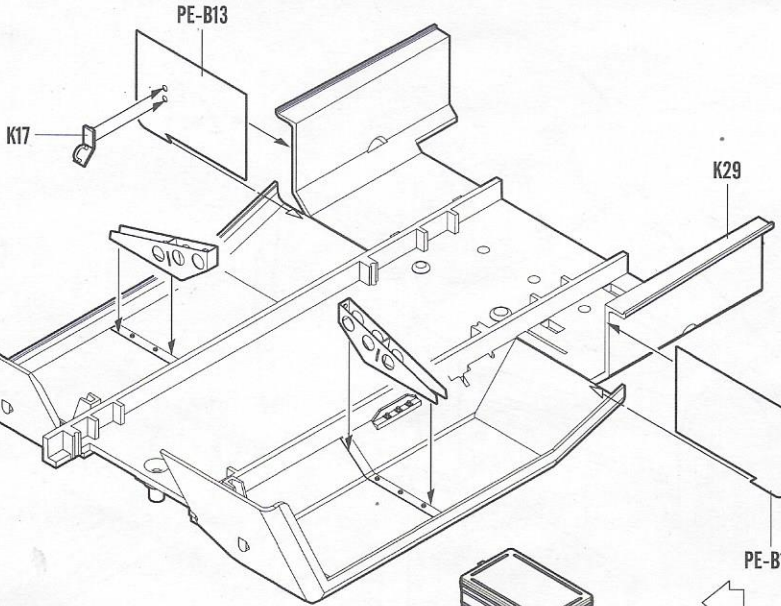


PE-B14



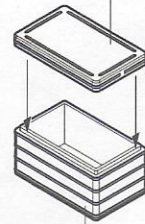
Bend
弯曲

制作2组
Make two



K24

PE-B12



K14

PE-B6 Bend
弯曲



制作2组
Make two

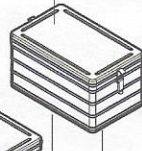
PE-B7

制作2组
Make two

对侧相同
Both sides

对侧相同
Both sides

B1



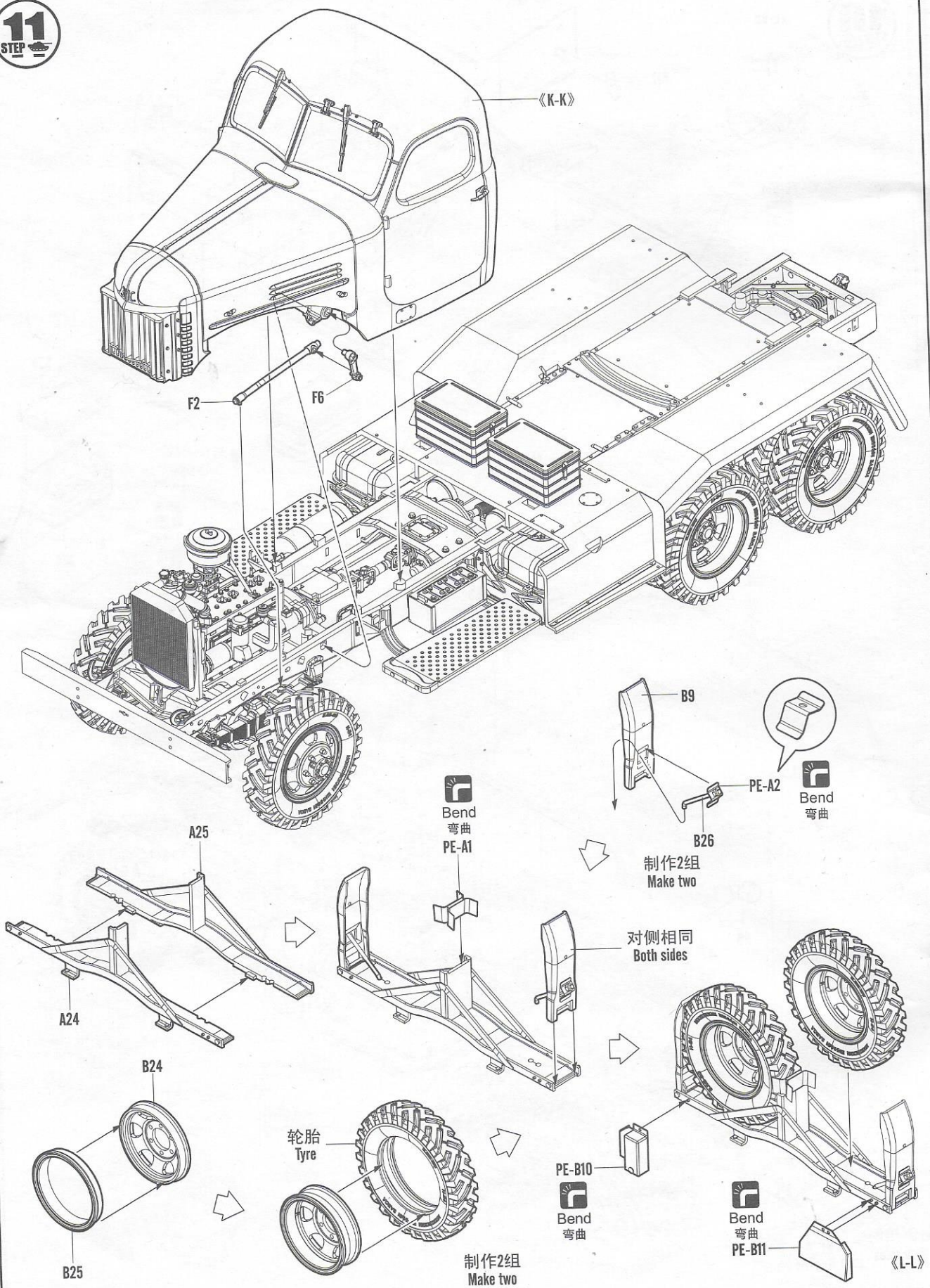
R6
K19

R6

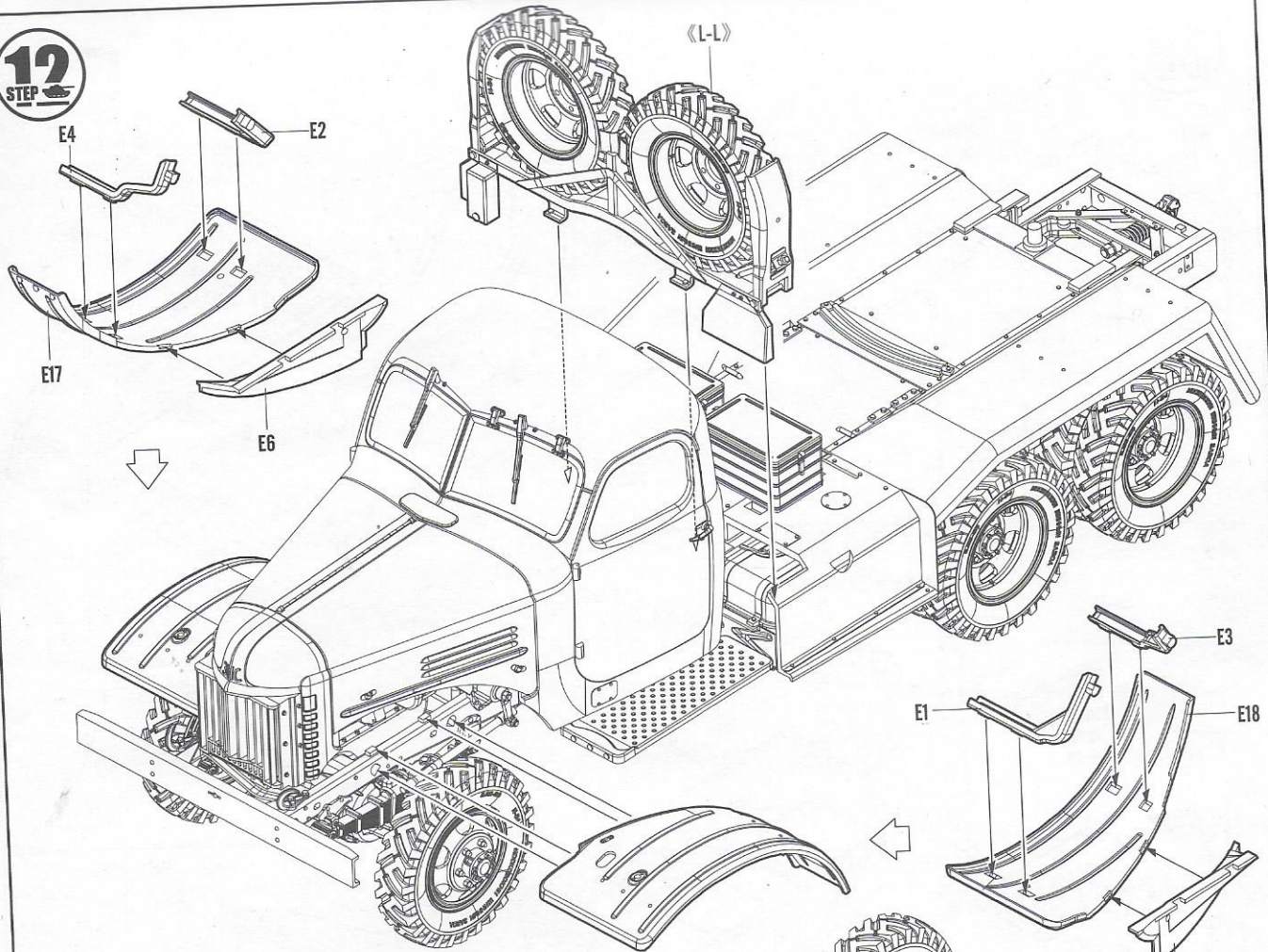
对侧相同
Both sides



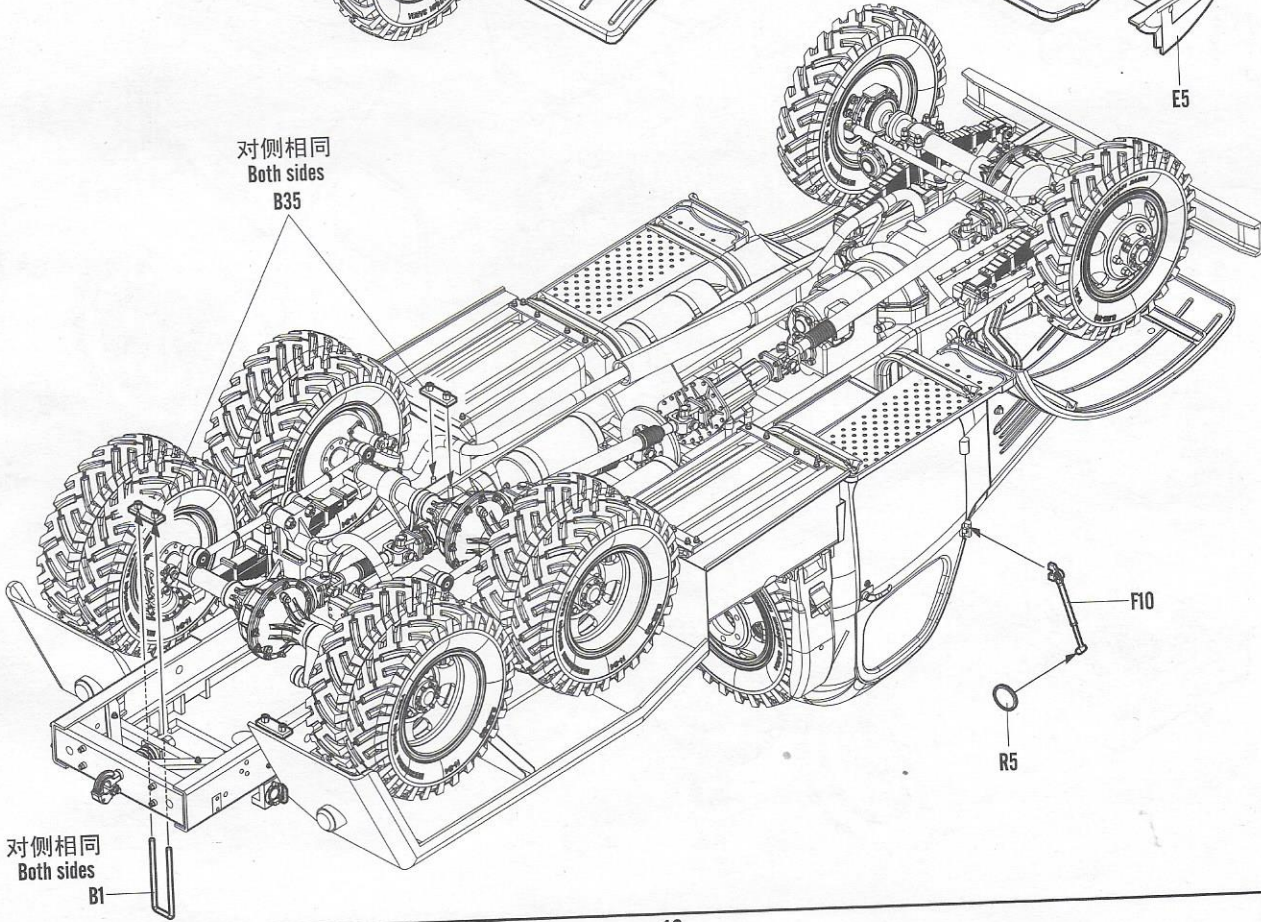
Cut /Remove
切除



12
STEP

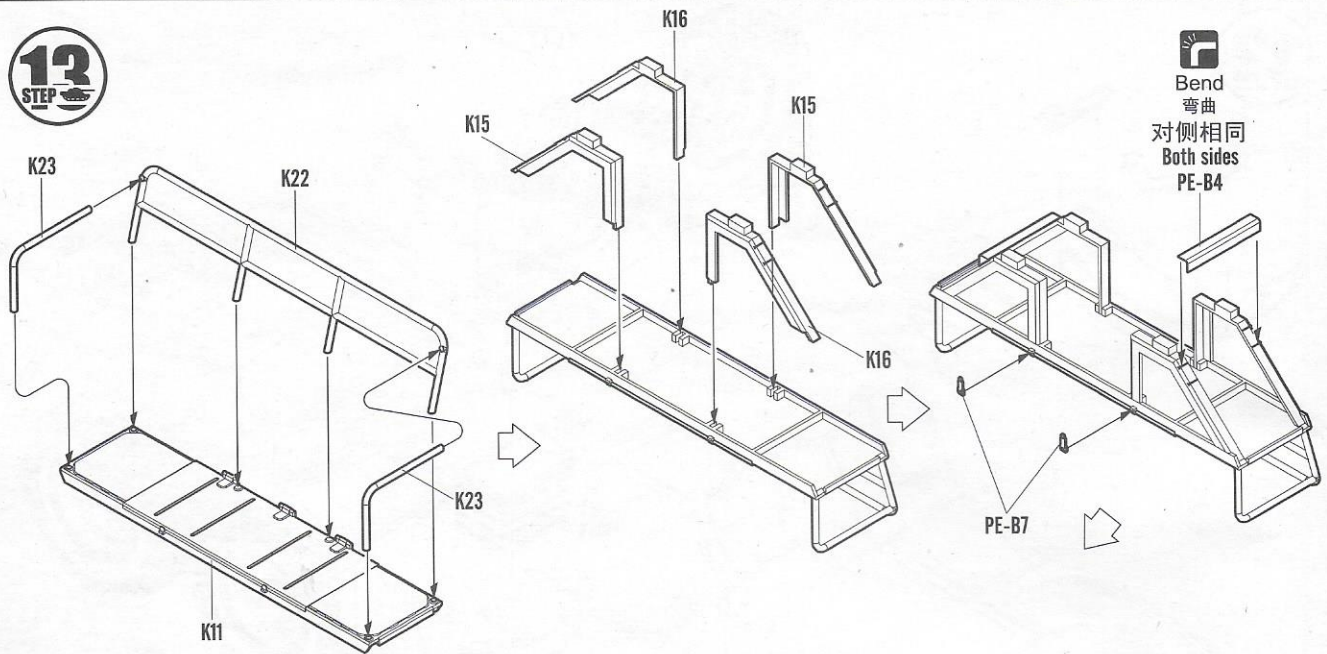


对侧相同
Both sides
B35

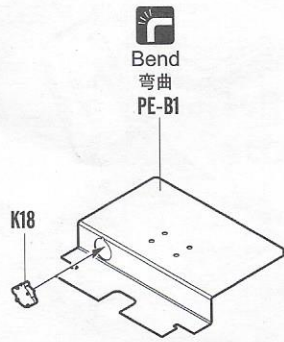


对侧相同
Both sides
B1

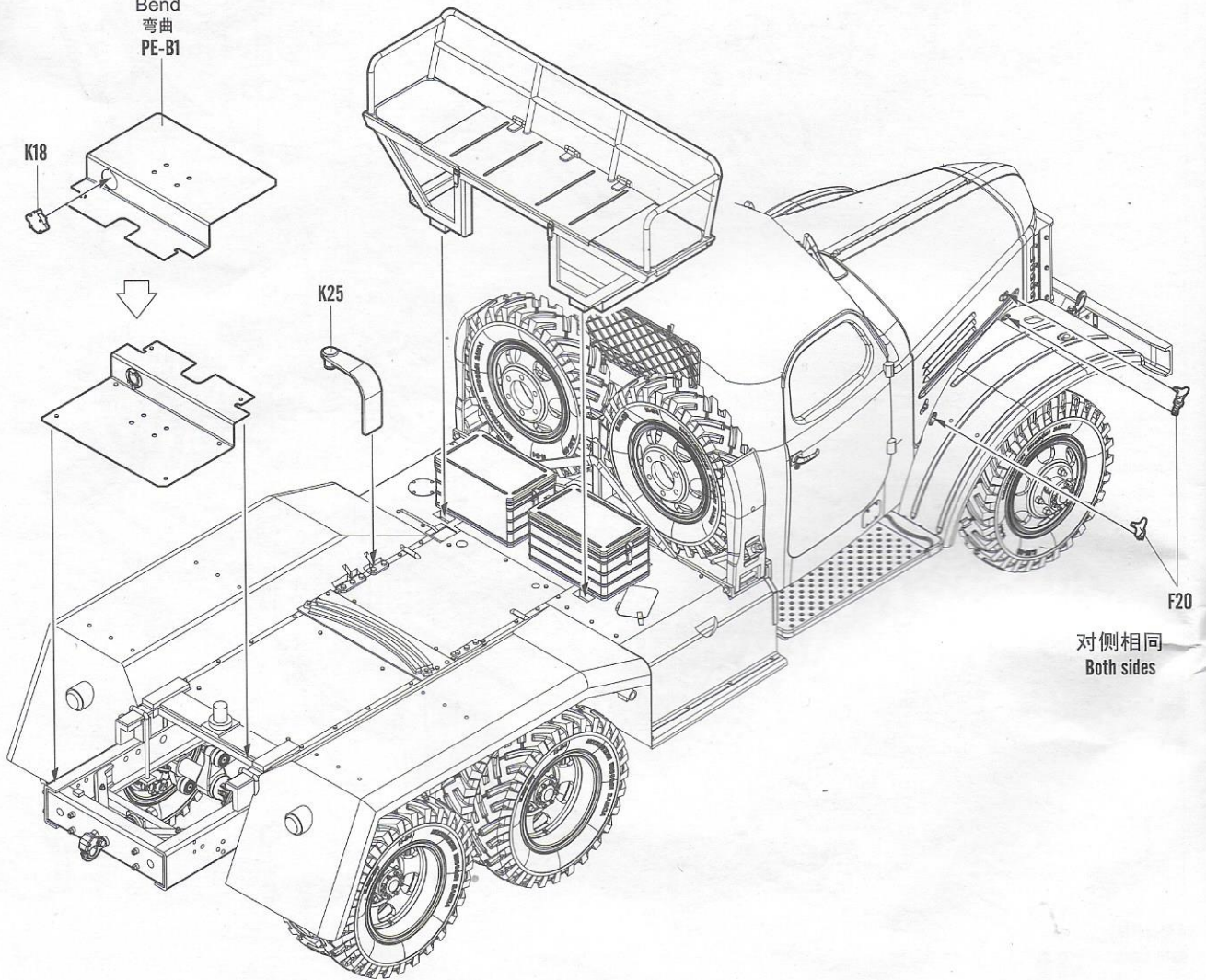
13
STEP




Bend
弯曲
对侧相同
Both sides
PE-B4

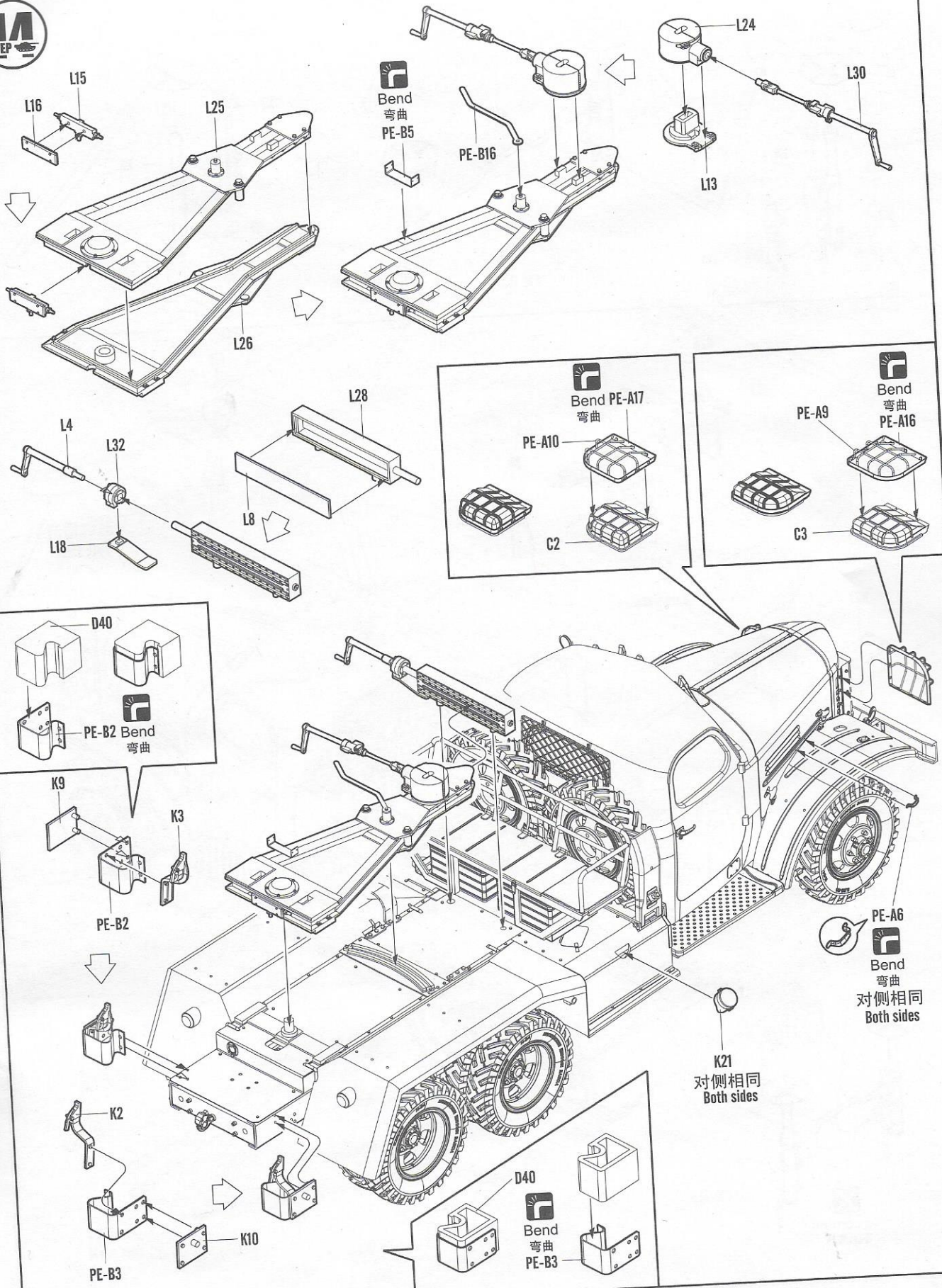



Bend
弯曲
PE-B1



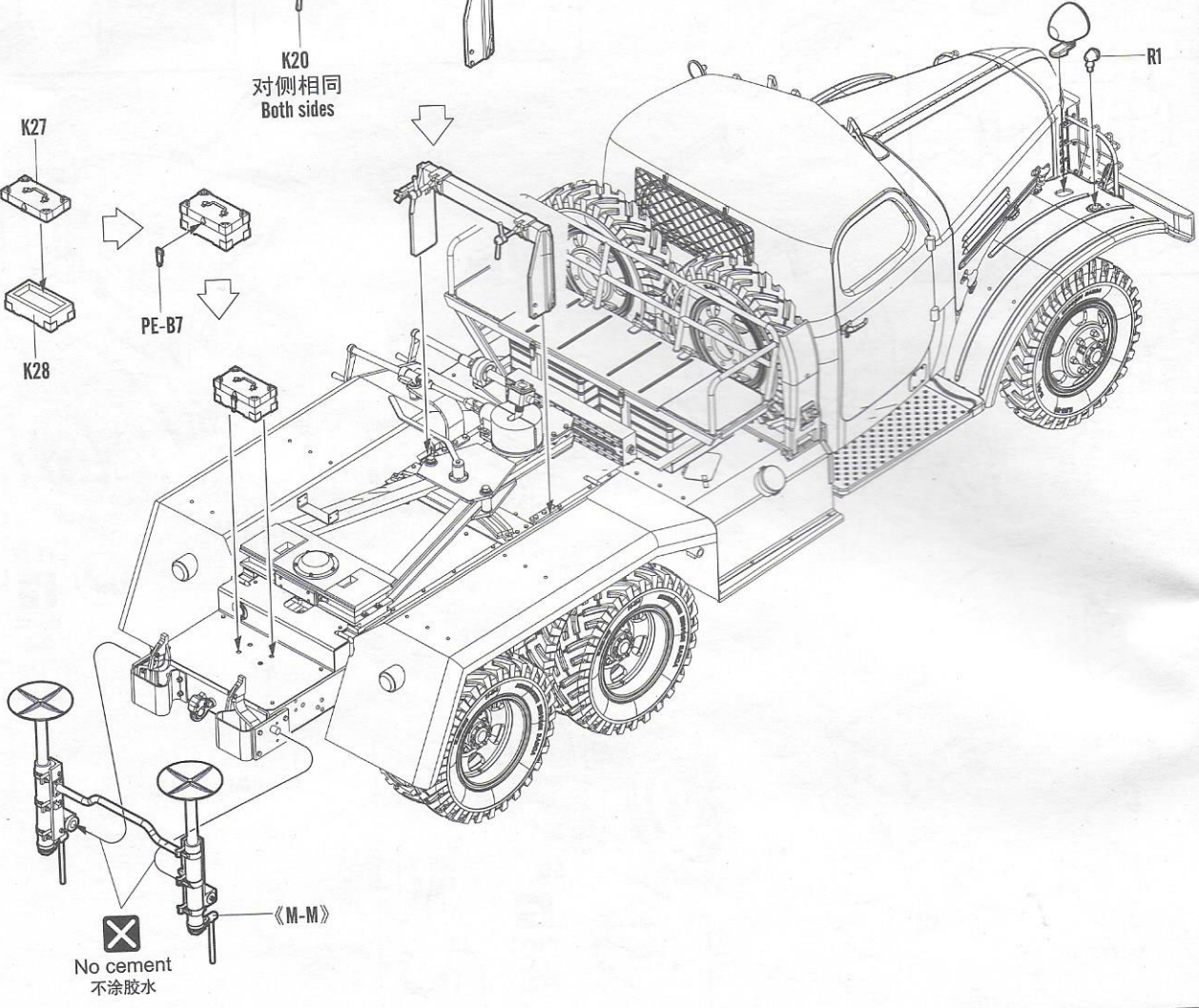
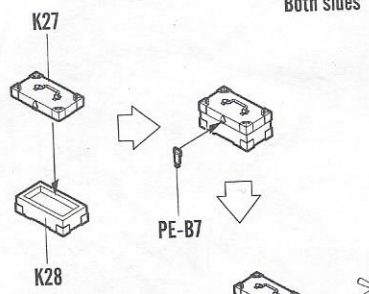
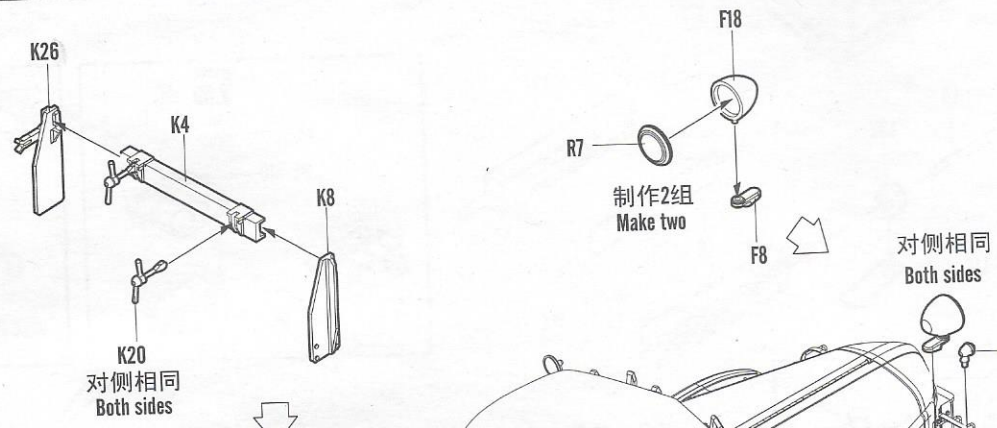
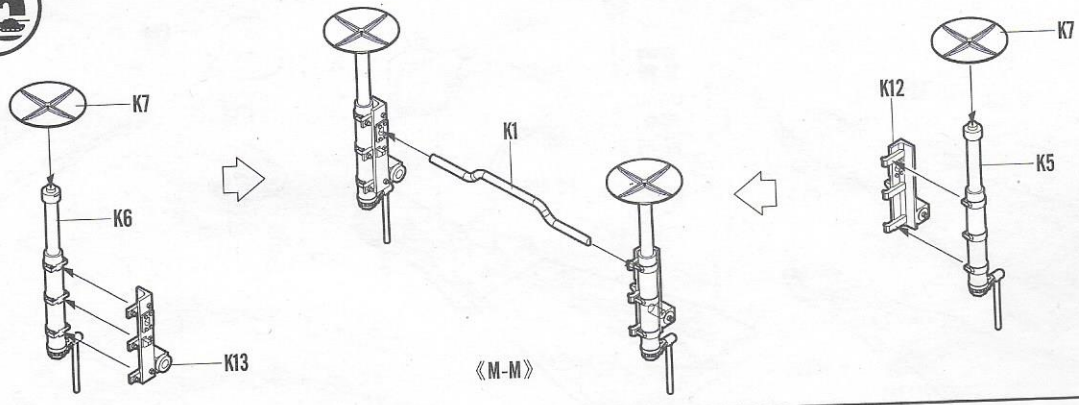
对侧相同
Both sides

11
STEP



83846

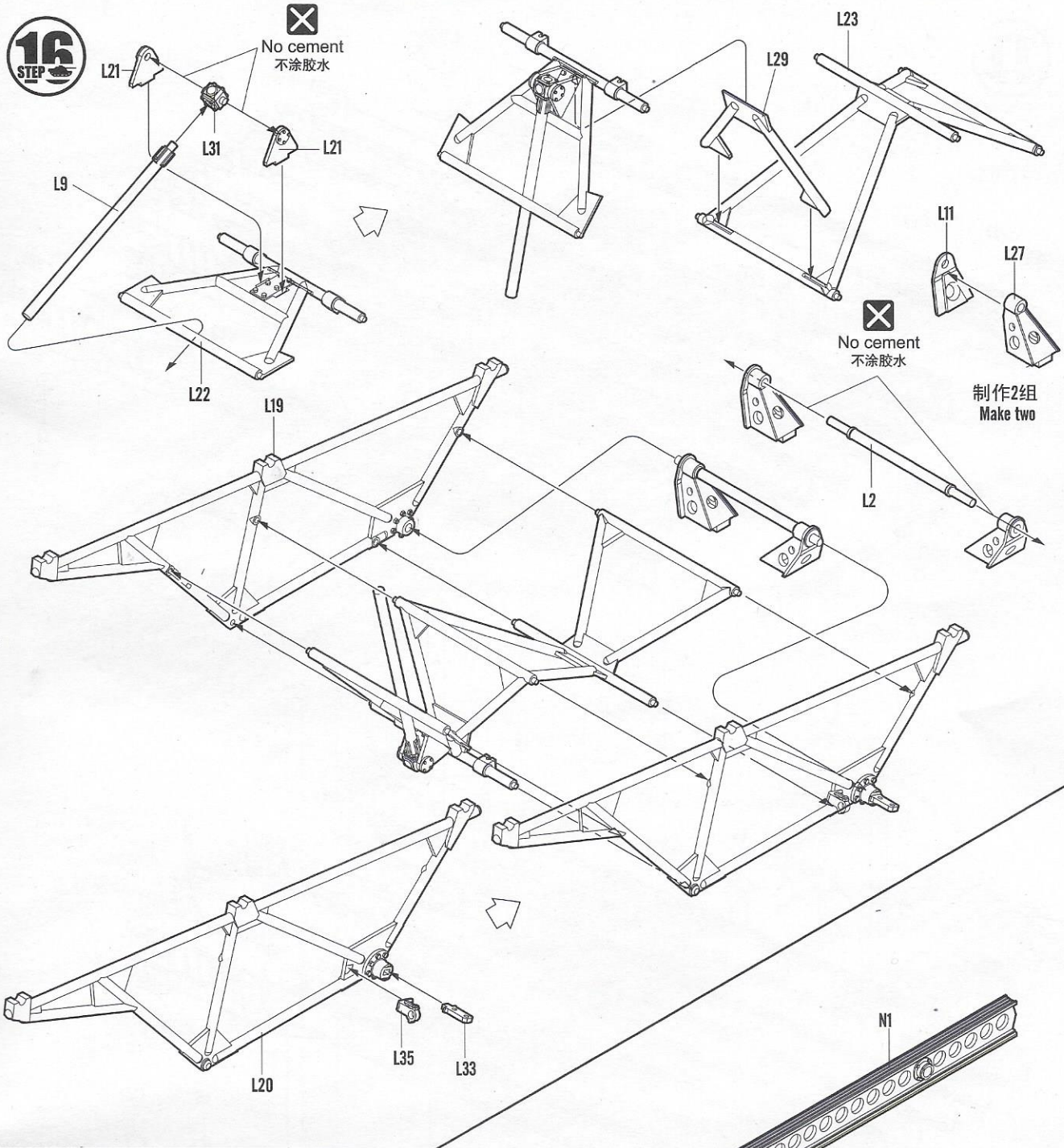
15
STEP



16
STEP

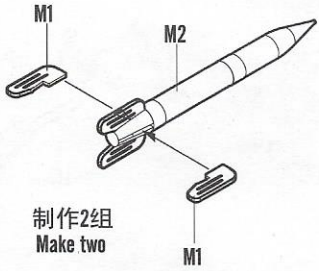


No cement
不涂胶水

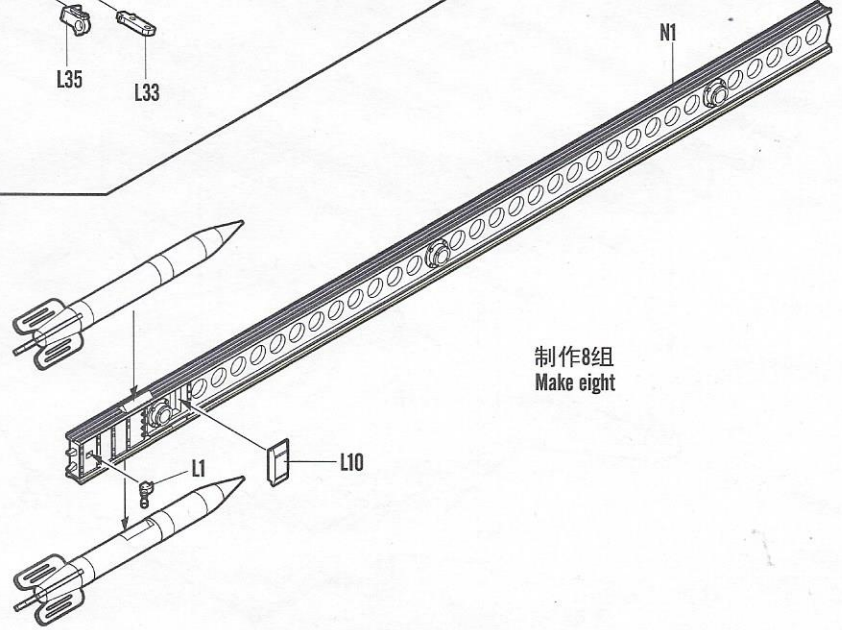


No cement
不涂胶水

制作2组
Make two

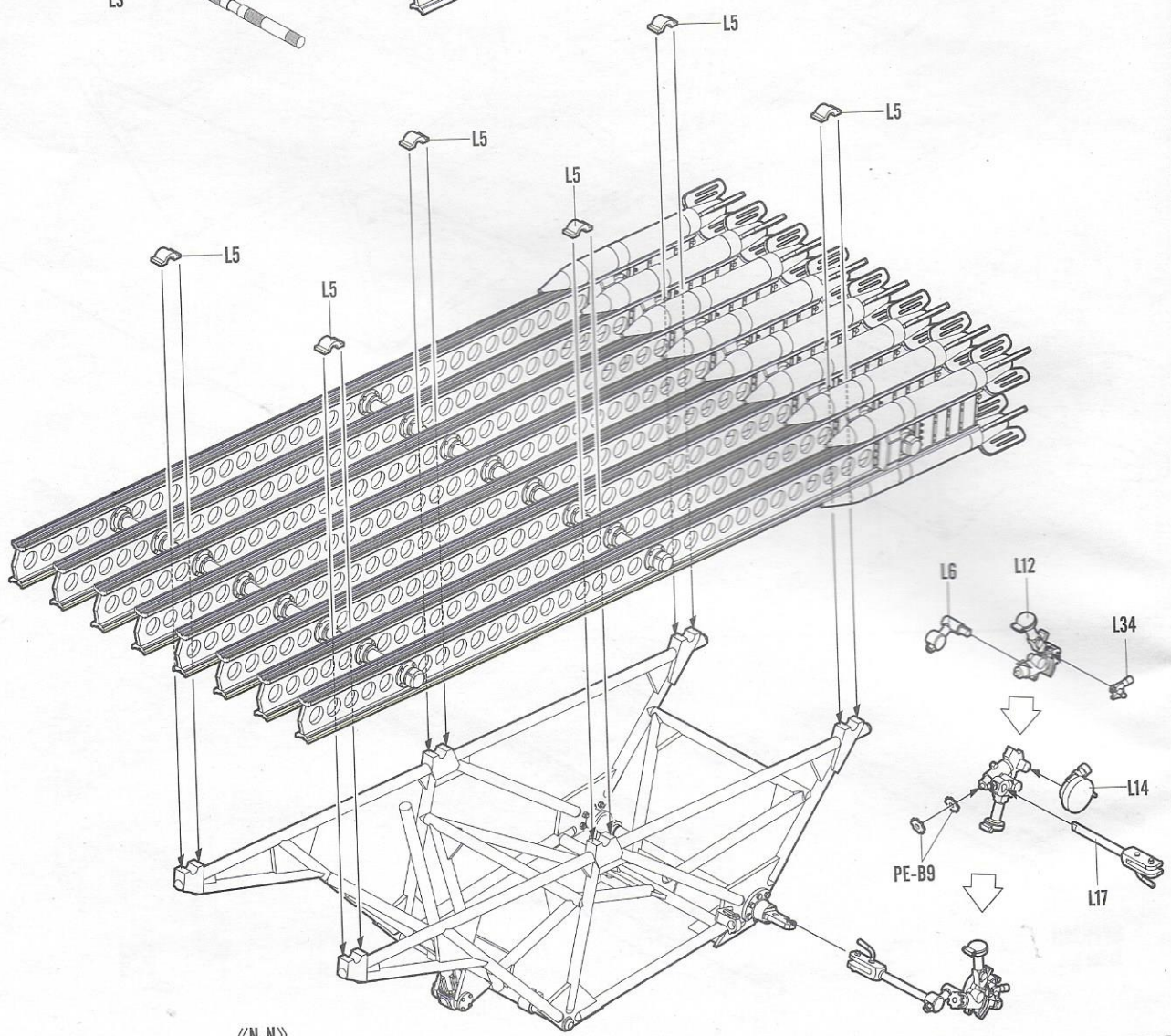
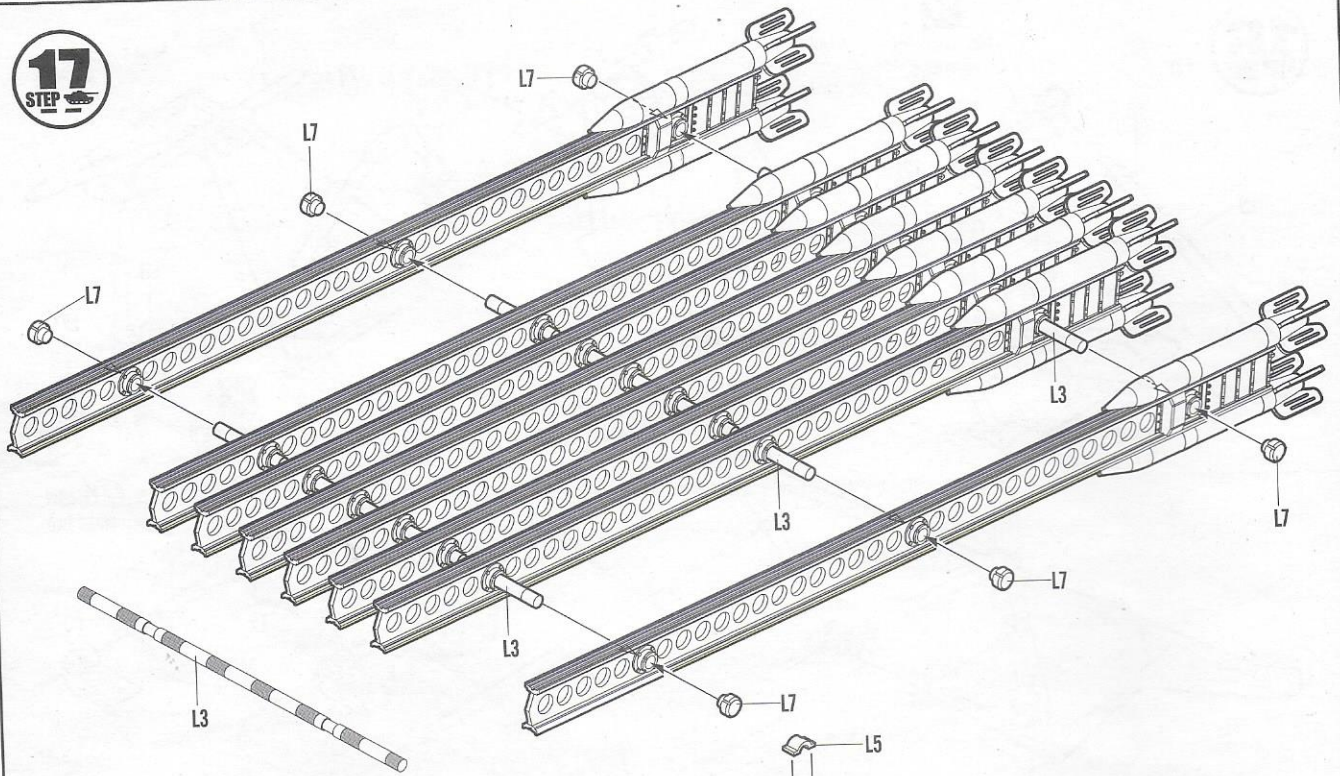


制作2组
Make two



制作8组
Make eight

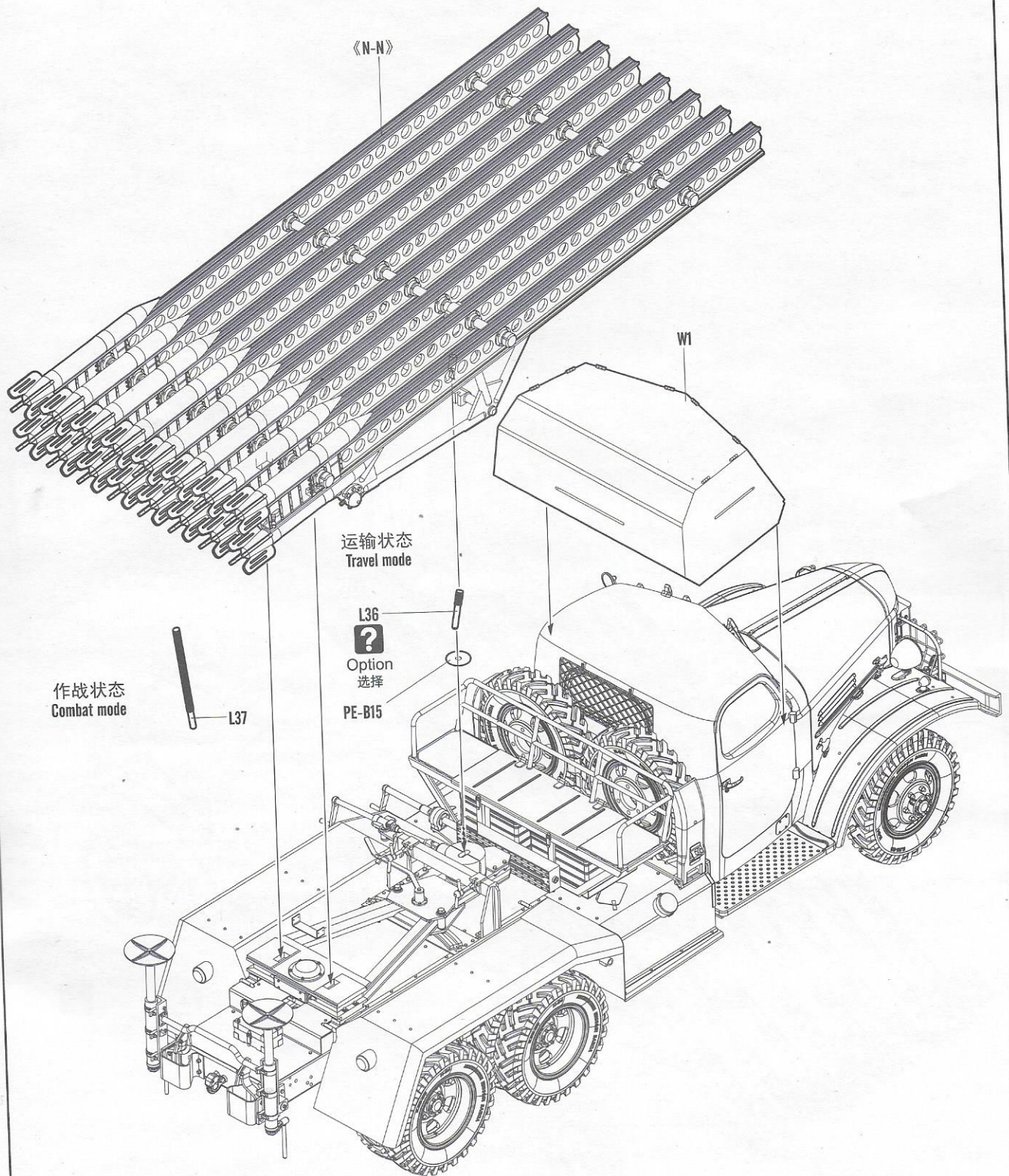
17
STEP



«N-N»

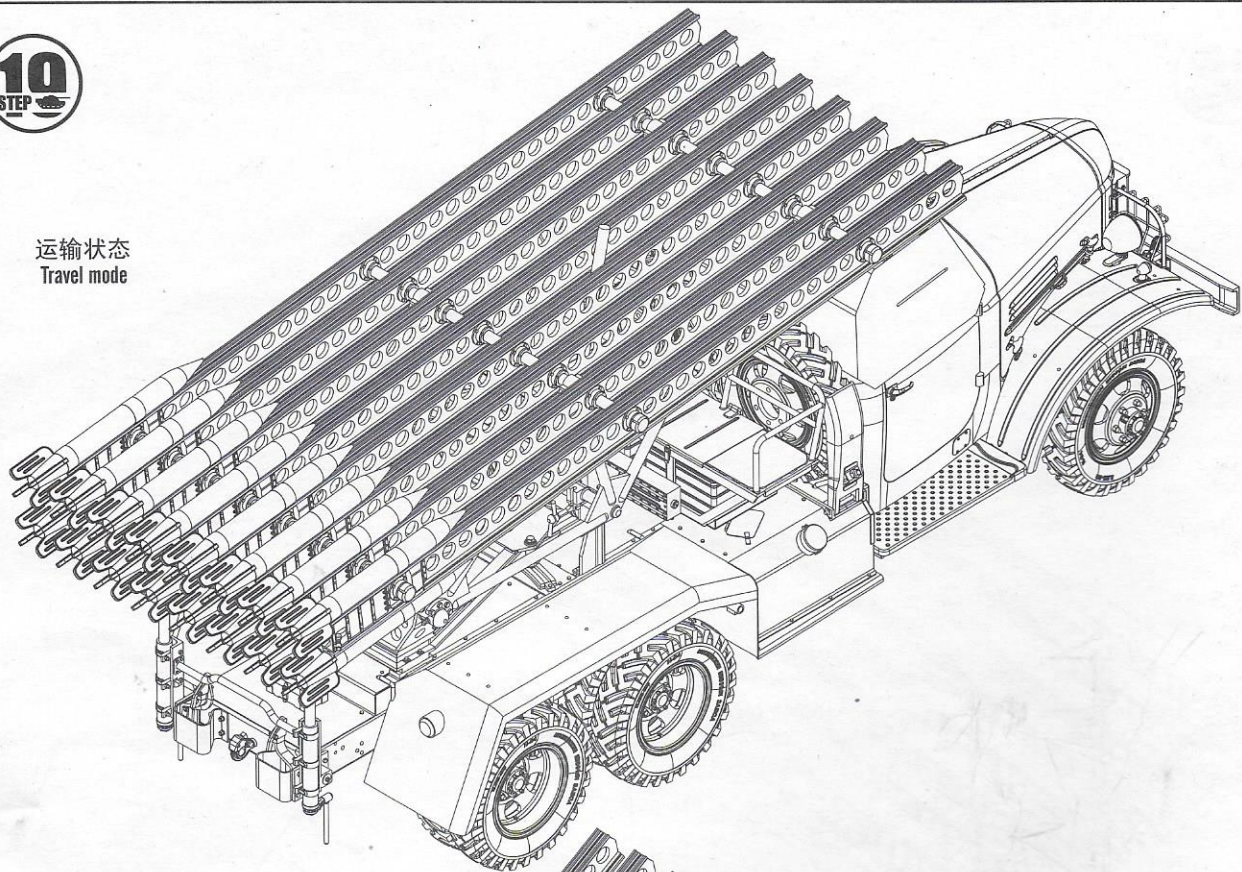
83846

18



10
STEP

运输状态
Travel mode



作战状态
Combat mode

