

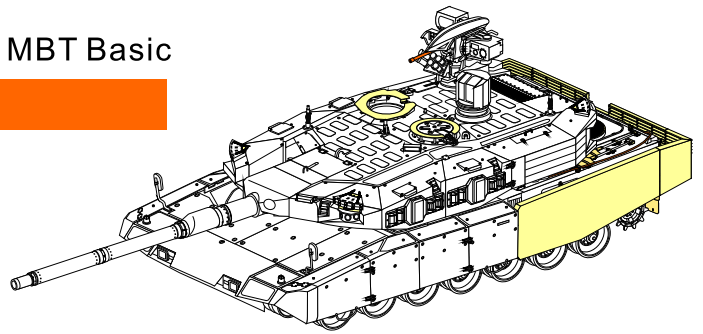
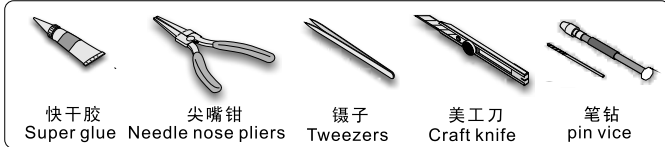
1/35 MILITARY MINIATURE VEHICLE UPGRADE SERIES PE35891

## Modern German Leopard2 Revolution 2 MBT Basic

### 现代德军豹2革命2主战坦克基本改造件

[For TIGER 4628]

#### ■ 推荐使用工具 RECOMMENDED TOOLS



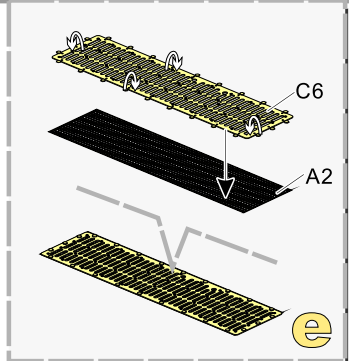
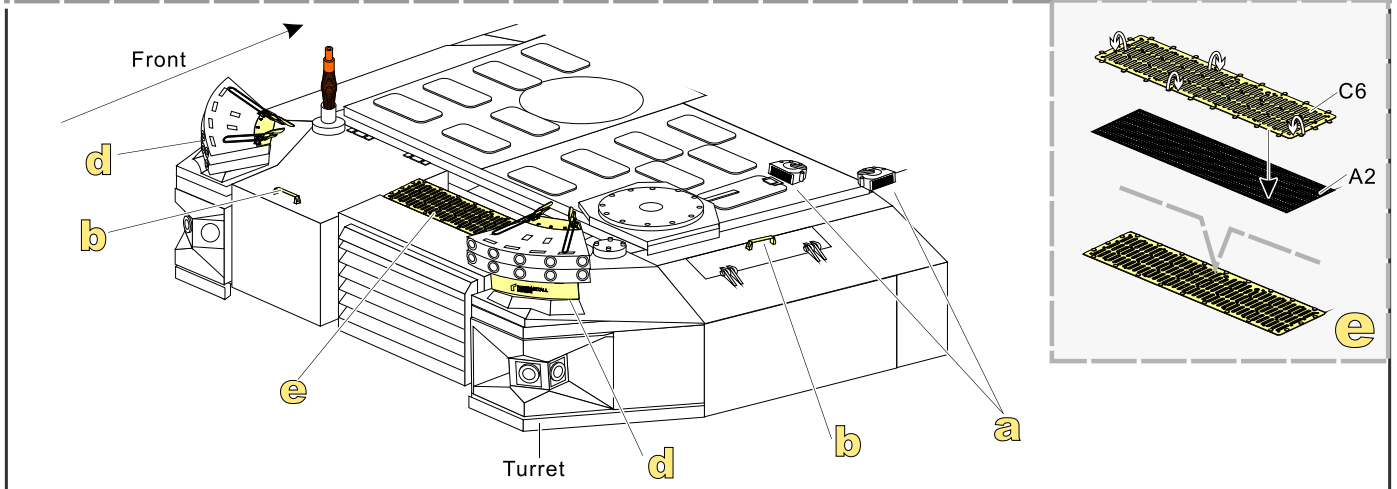
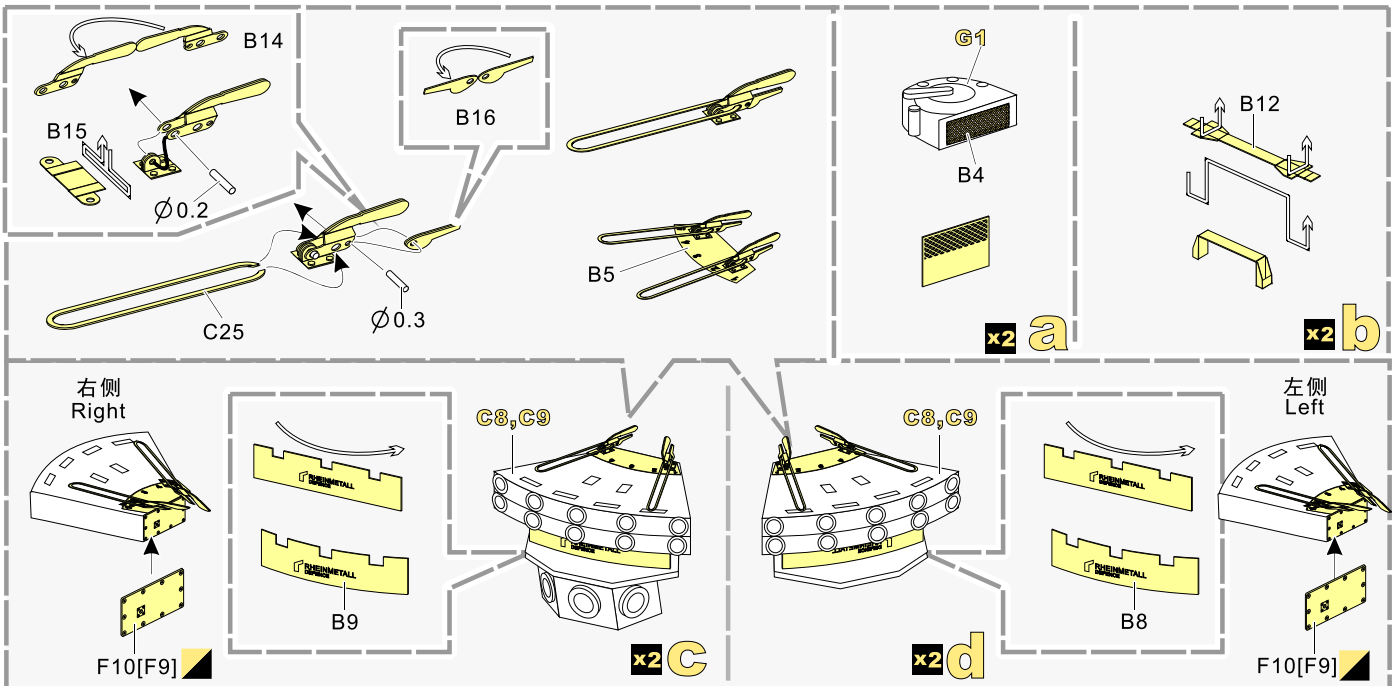
- ↑  
安装  
install
- ↩  
折叠  
bend
- A1**  
改造件零件编号  
PE/resin part number
- B12**  
原零件编号  
kit part number
- C22**  
被替换的原零件编号  
replaced kit part number
- ⚙  
钻孔  
drill
- ✂  
切除  
remove
- ↔  
另一侧相同制作  
repeat on opposite side
- ⤵  
弧度卷曲  
radial bending
- x2  
制作若干组  
multiple assembly
- ↔  
选择安装  
alternative

↓  
用尖端在凹槽处冲压  
use penpoint to press on the dent

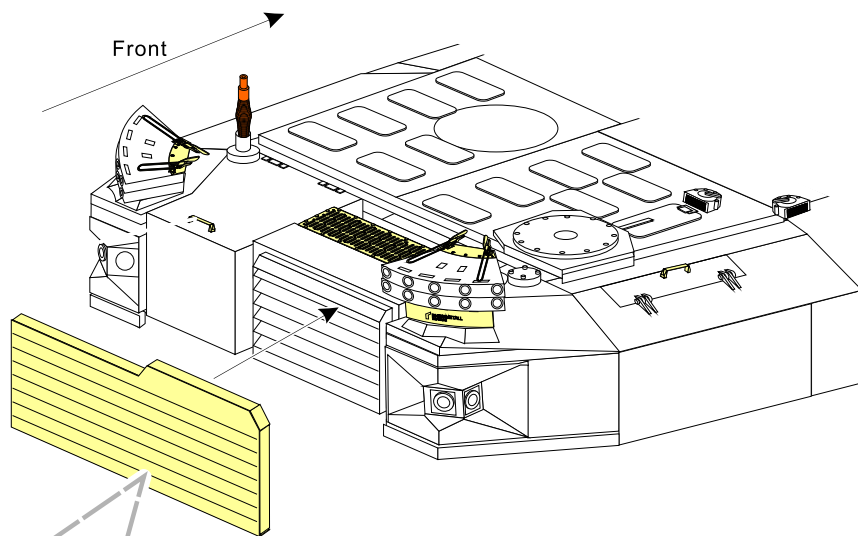
钻到片零件内侧面向上  
Put the part upside down

用笔尖在凹槽处刺  
Use penpoint to press on the dent

制作线圈  
make coil

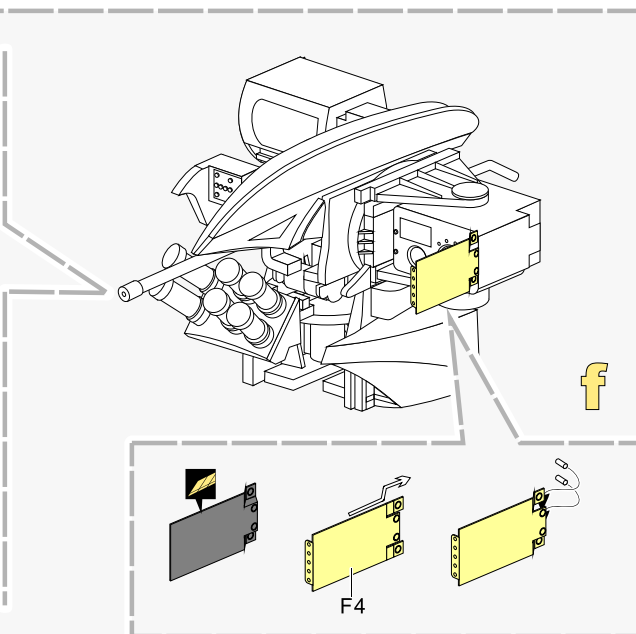
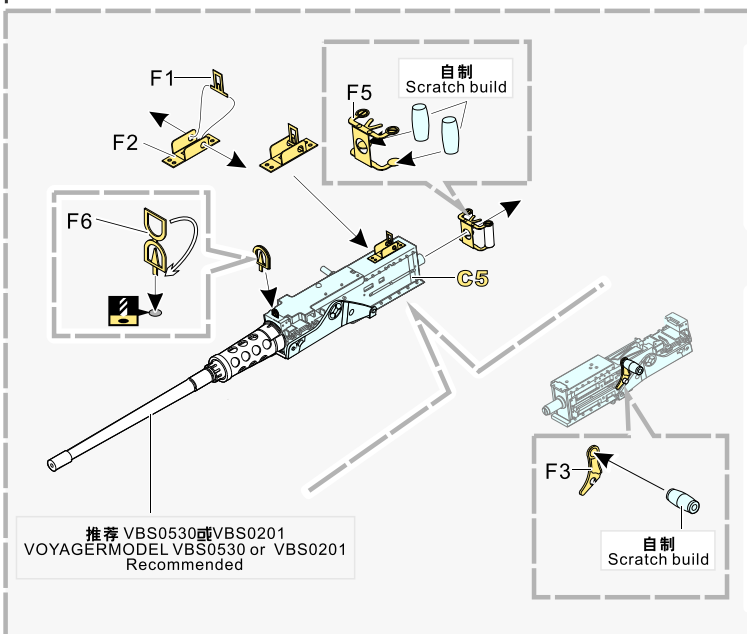
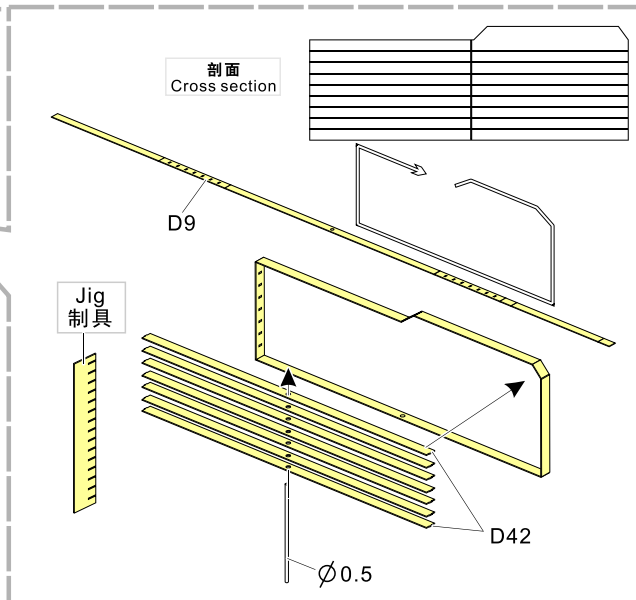
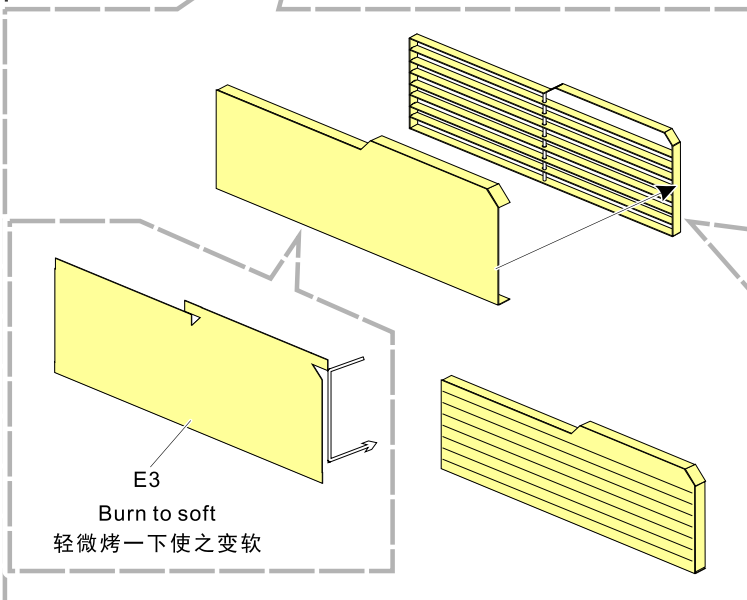


1/35 MILITARY MINIATURE VEHICLE UPGRADE SERIES PE35891

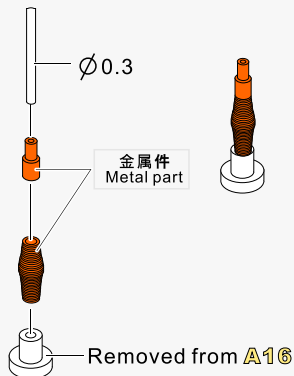


Hi, I am VIVI. Nice to meet you!

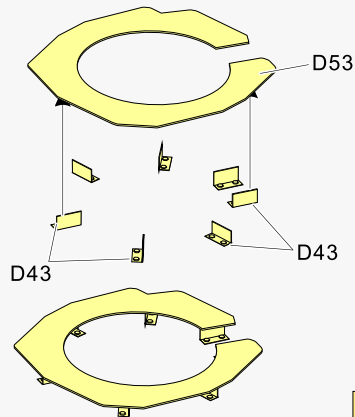
Please read the instructions thoroughly before assembly



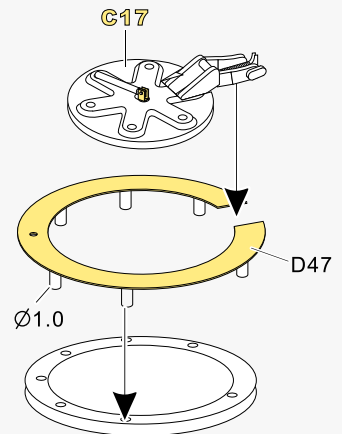
1/35 MILITARY MINIATURE VEHICLE UPGRADE SERIES PE35891



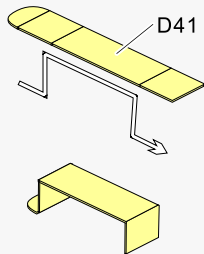
x2 **g**



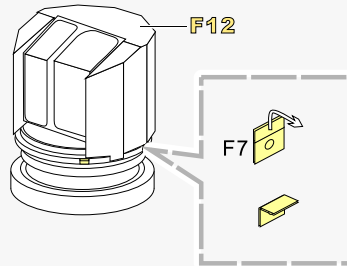
**h**



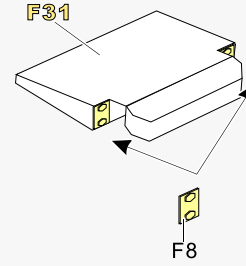
**i**



**j**



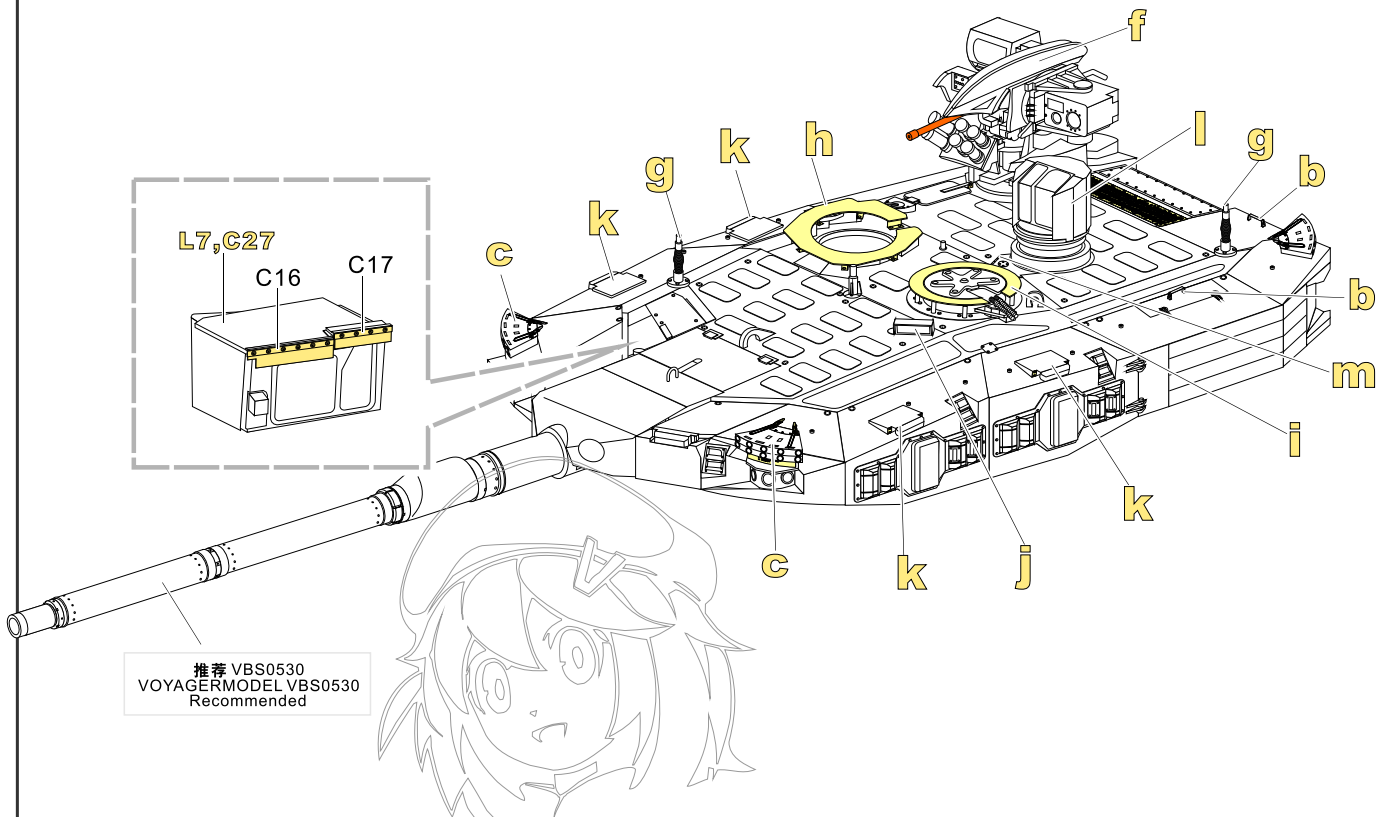
x6 **k**



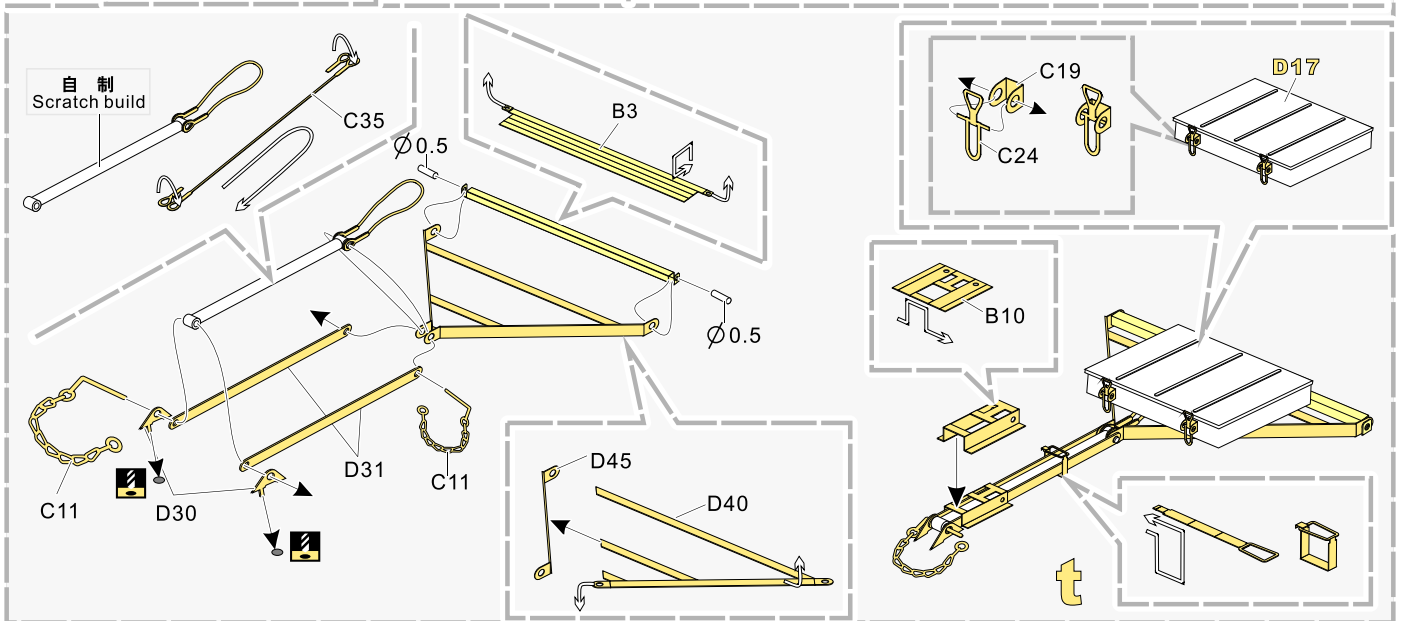
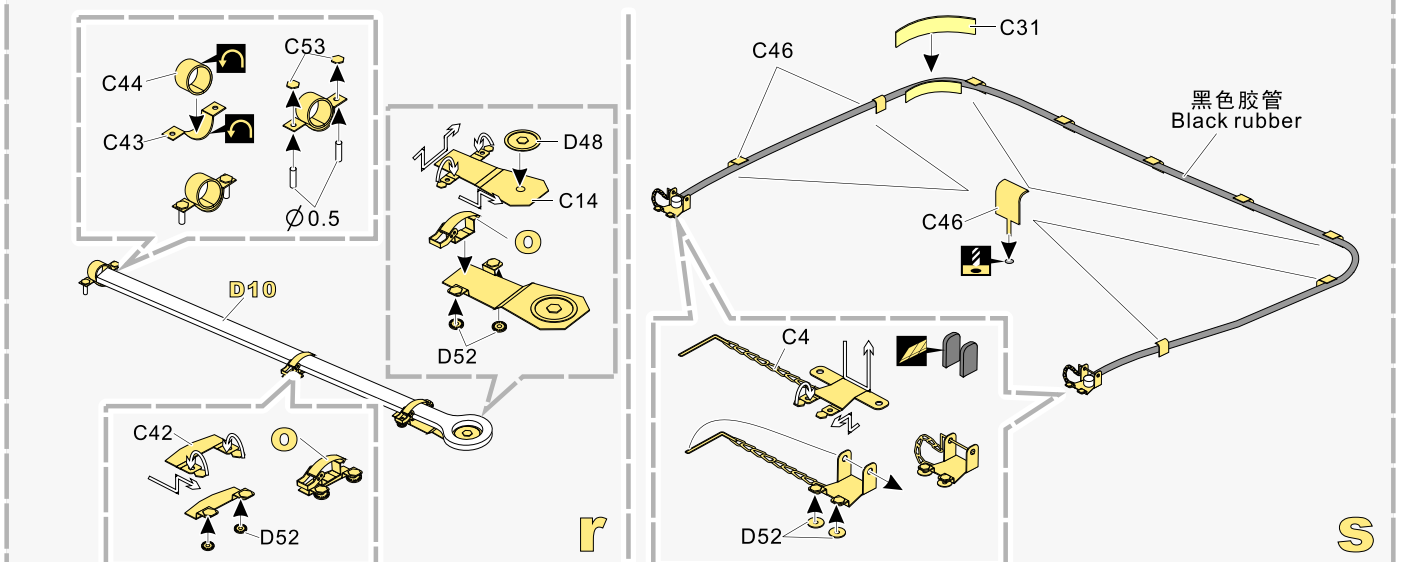
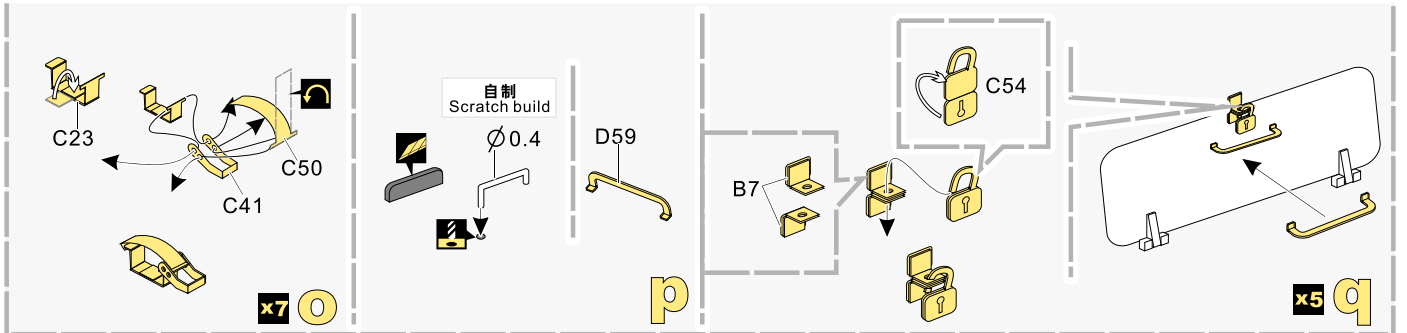
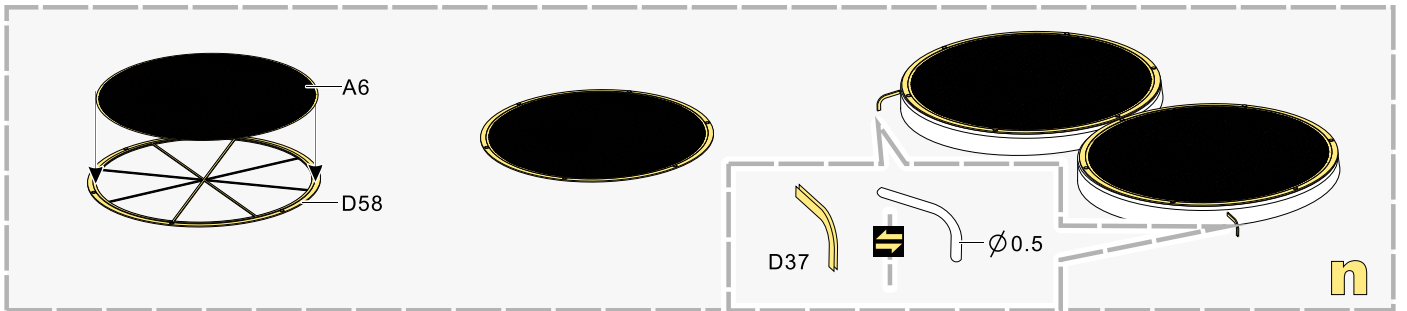
x2 **l**



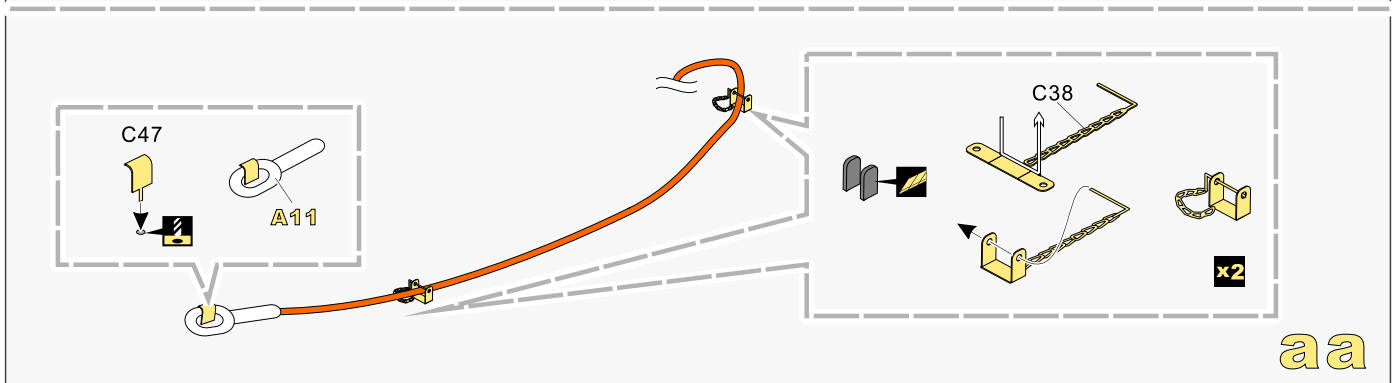
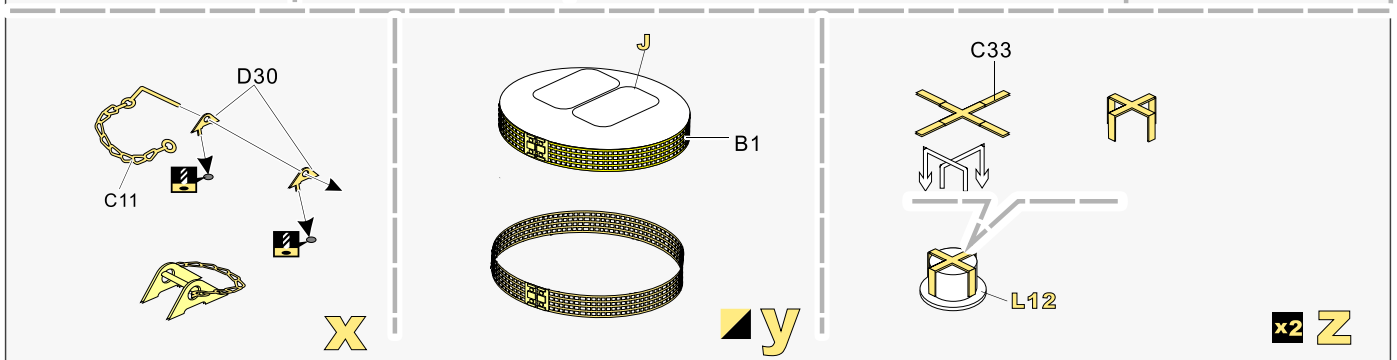
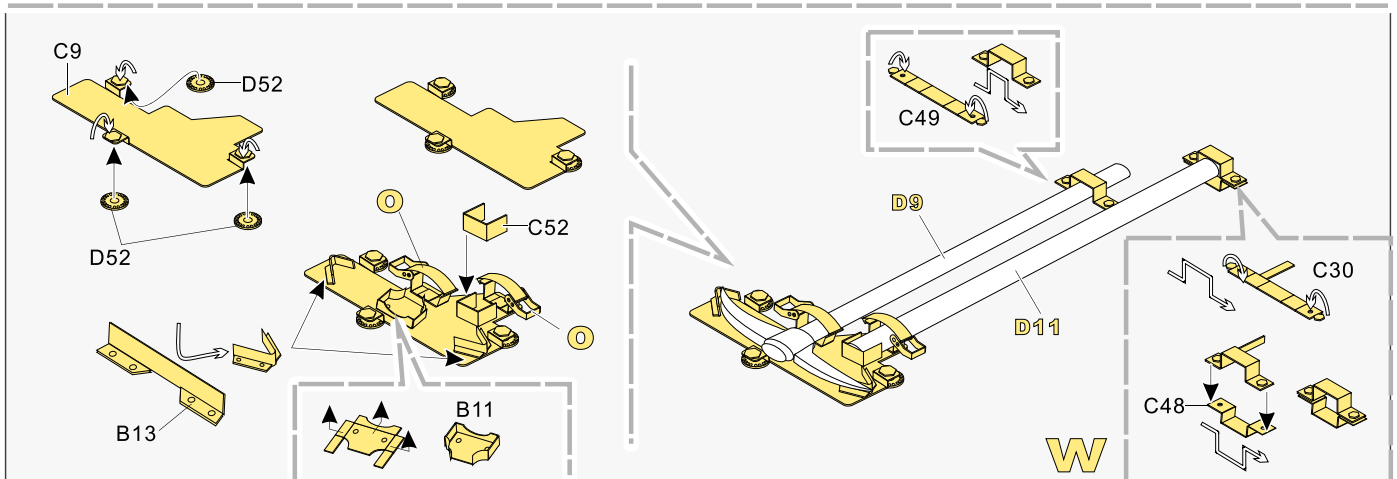
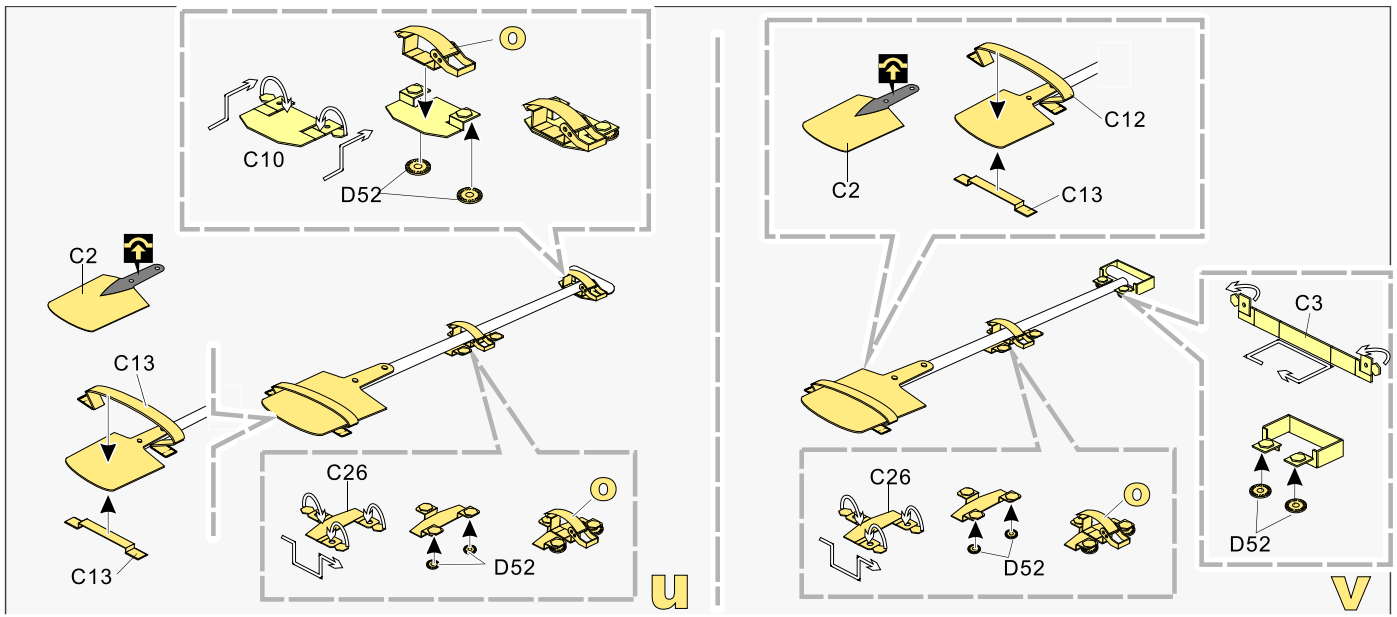
**m**



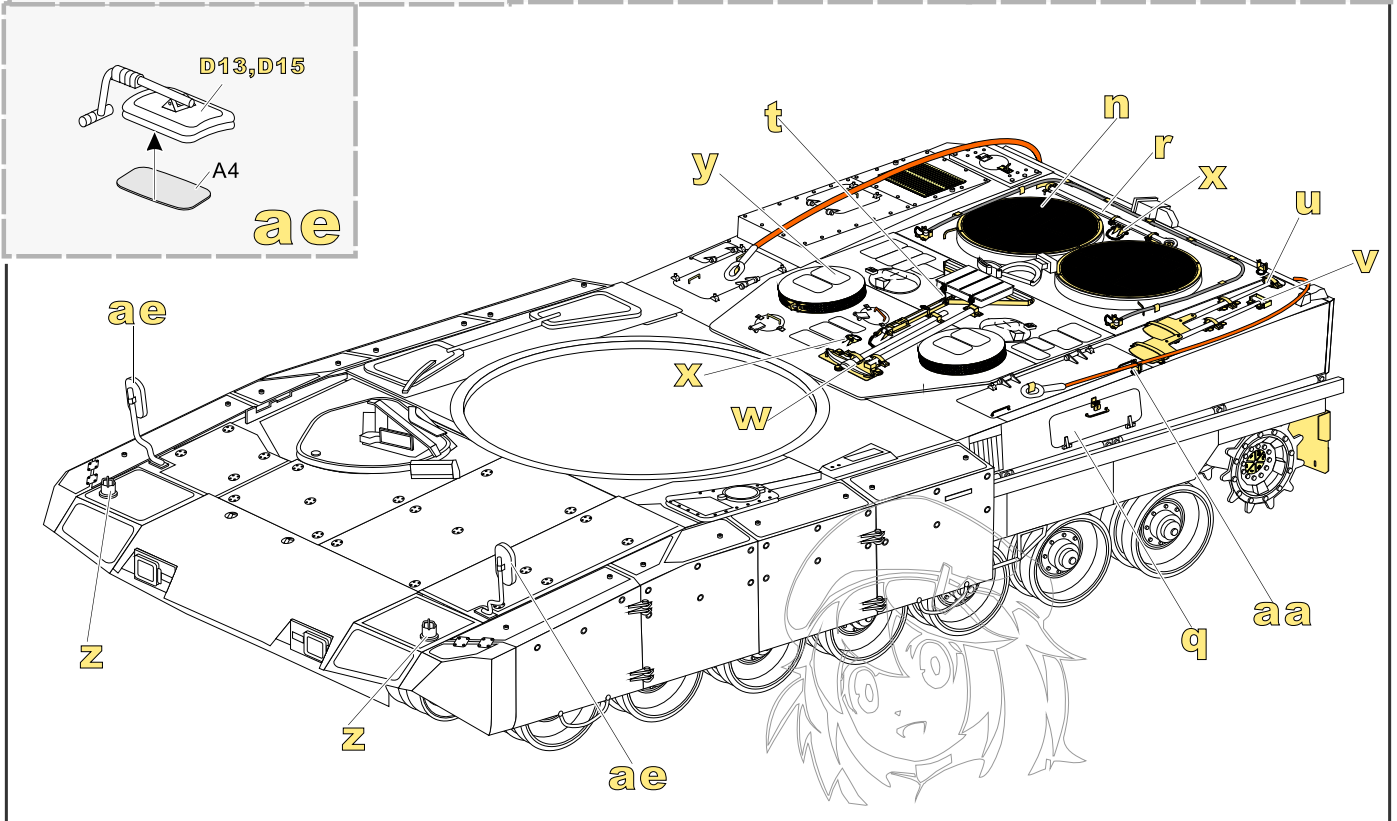
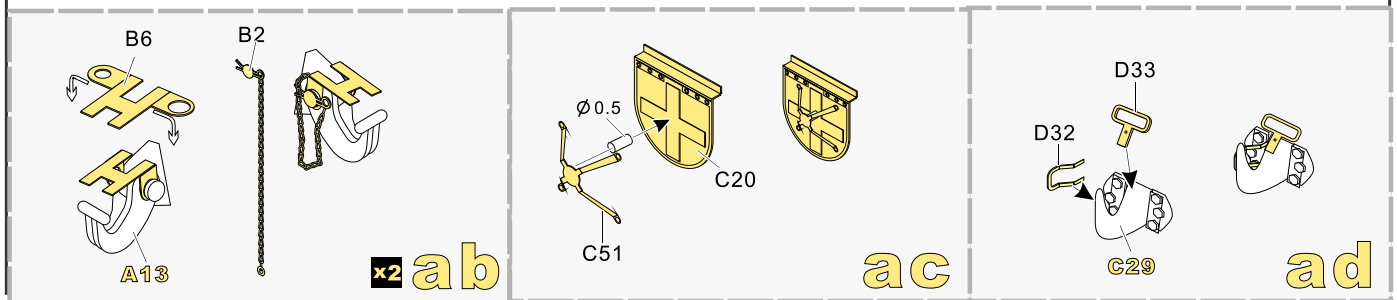
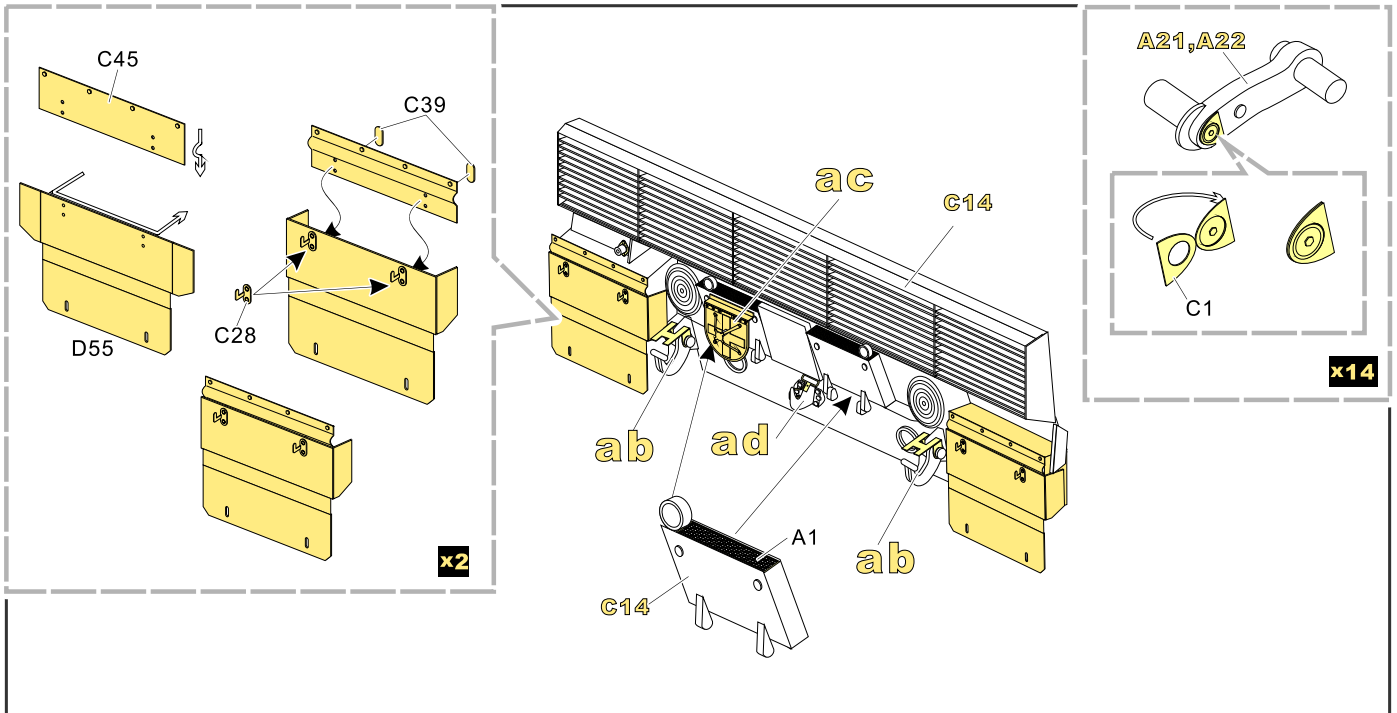
1/35 MILITARY MINIATURE VEHICLE UPGRADE SERIES PE35891



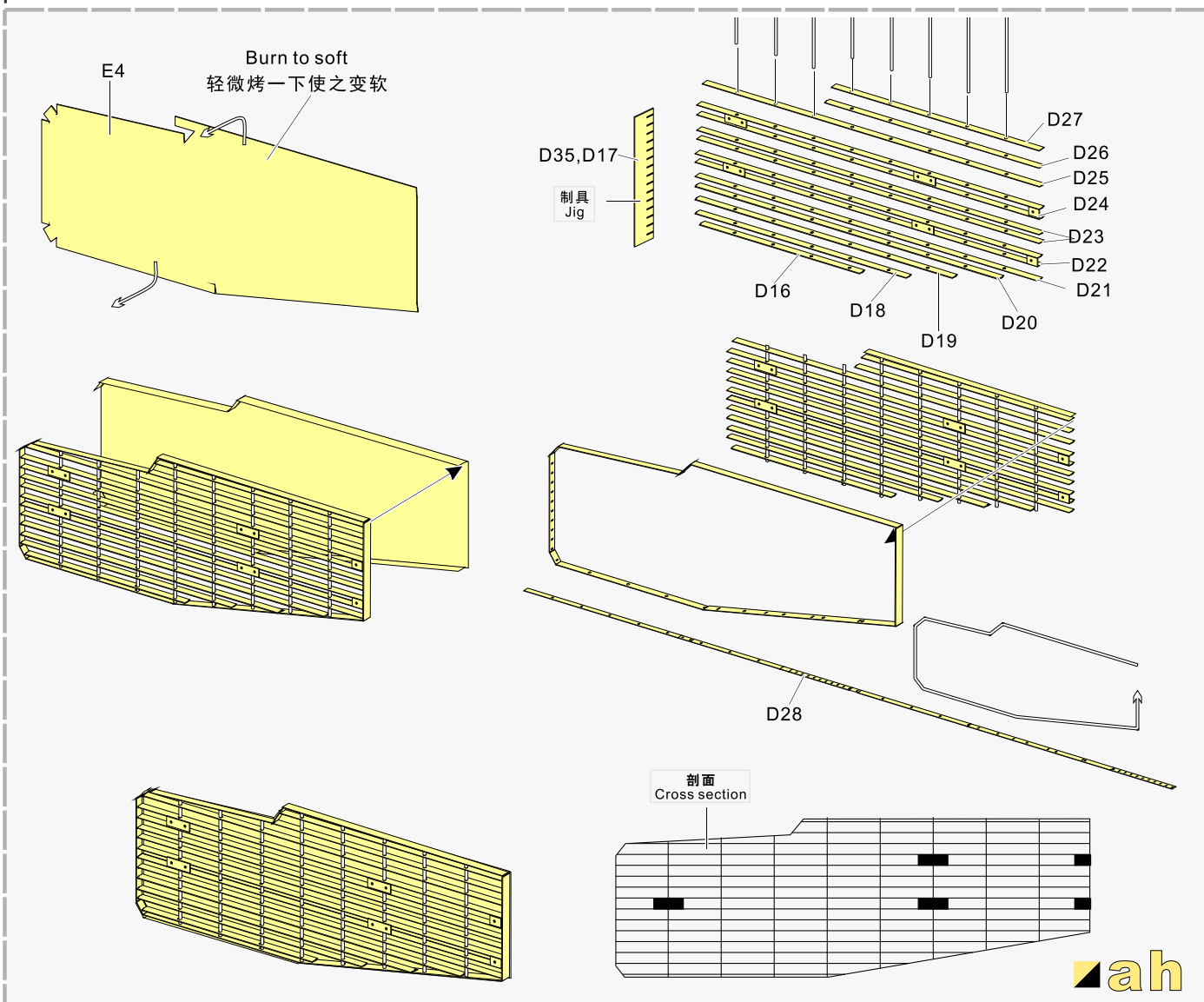
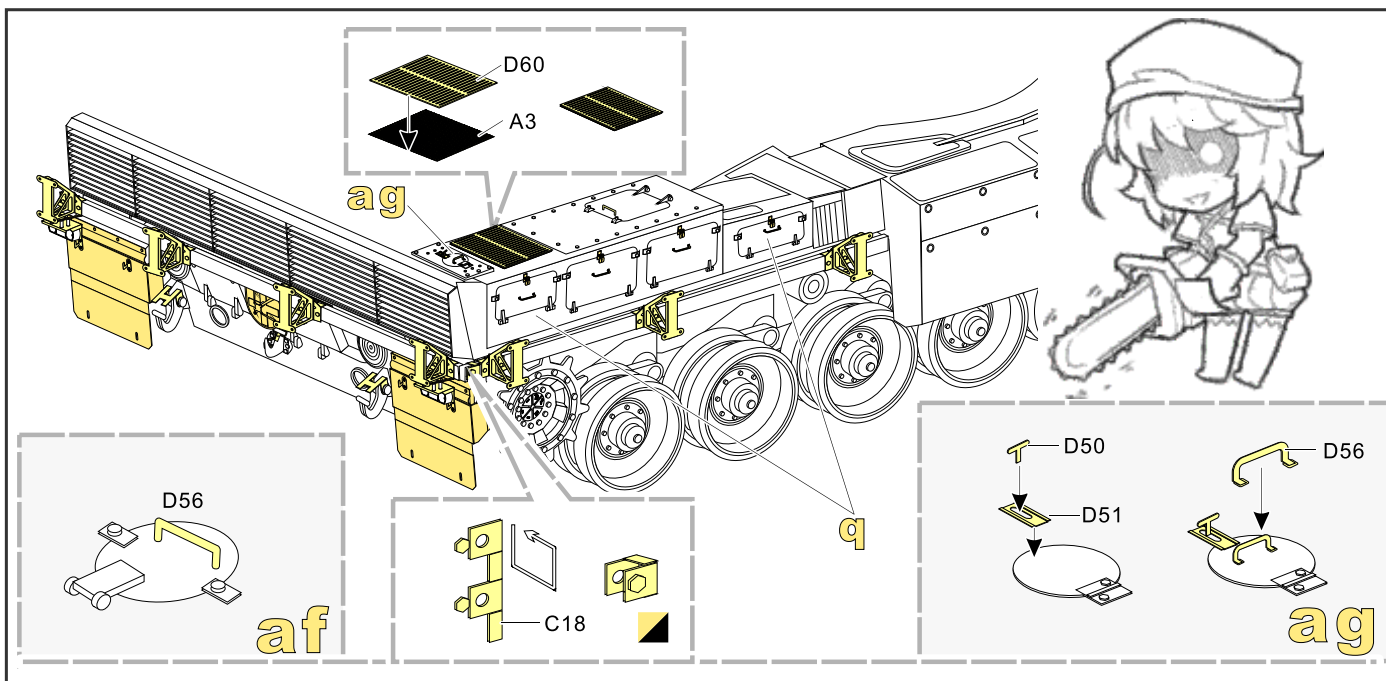
1/35 MILITARY MINIATURE VEHICLE UPGRADE SERIES PE35891



1/35 MILITARY MINIATURE VEHICLE UPGRADE SERIES PE35891



1/35 MILITARY MINIATURE VEHICLE UPGRADE SERIES PE35891



1/35 MILITARY MINIATURE VEHICLE UPGRADE SERIES PE35891

漏喷板使用说明:  
Instruction:

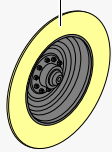


未上色零件  
Unpainted part

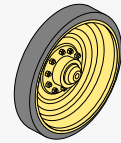
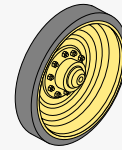


喷橡胶黑  
spray tyre black

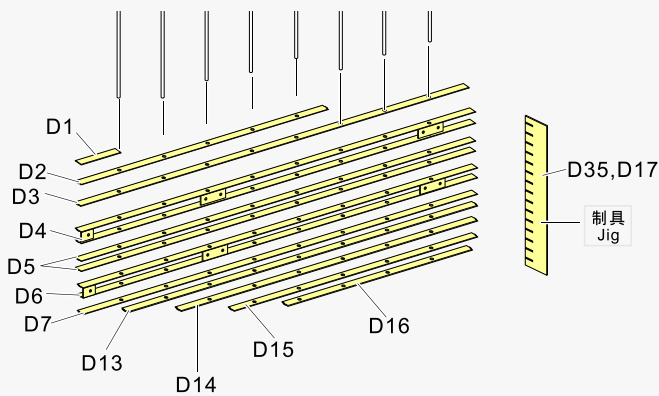
E7, E8, E9



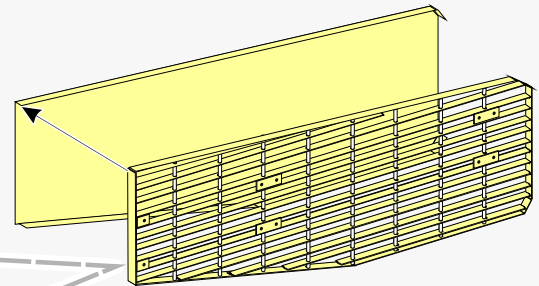
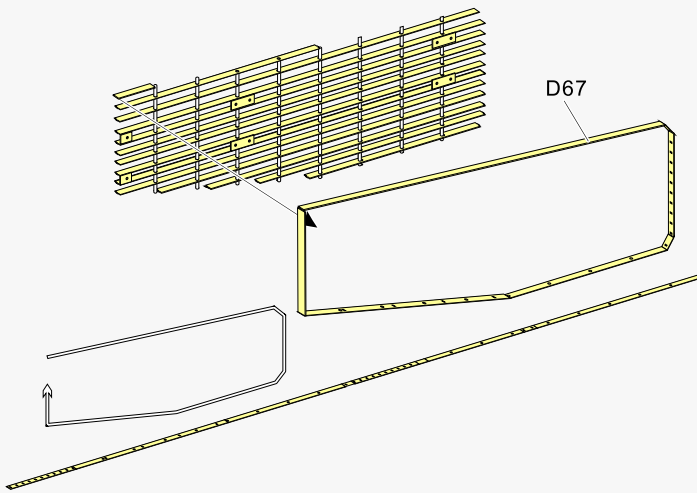
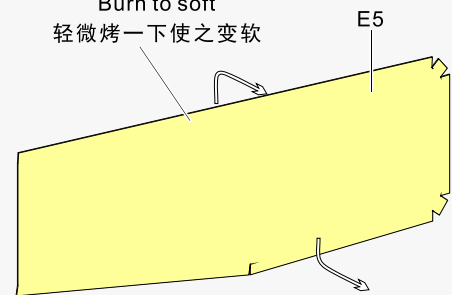
使用遮喷板为轮毂  
喷上所需要的颜色  
use template to paint  
required hub colour



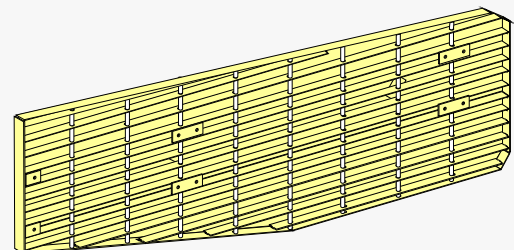
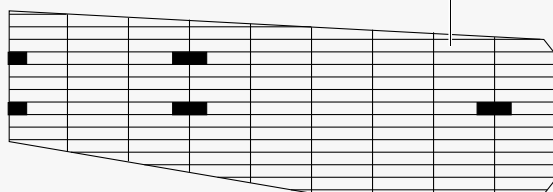
ai



Burn to soft  
轻微烤一下使之变软



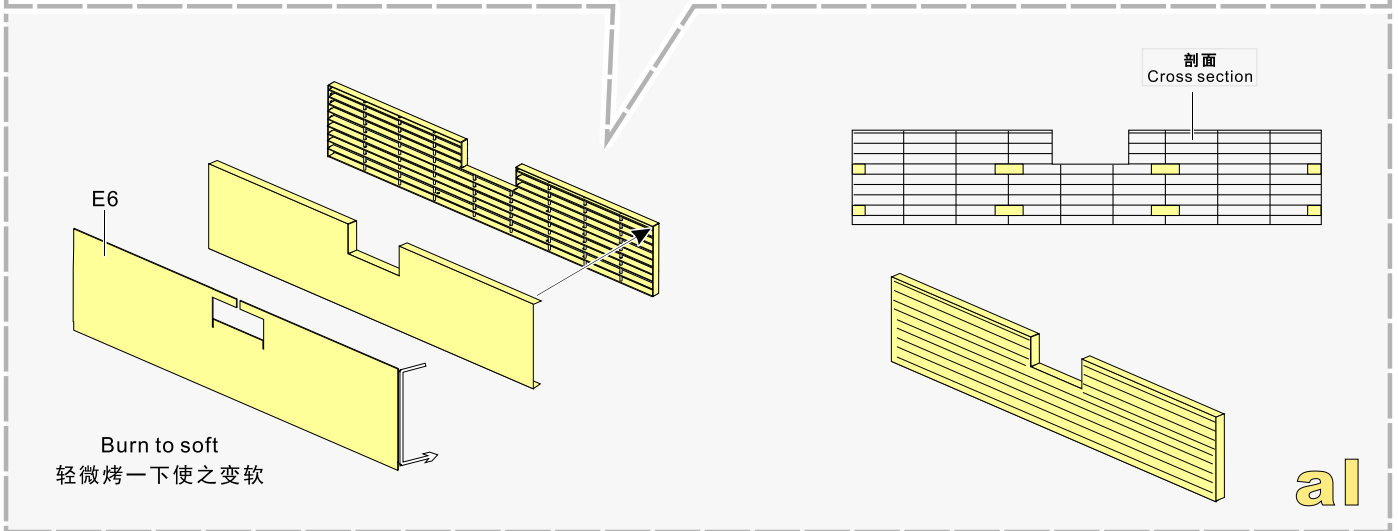
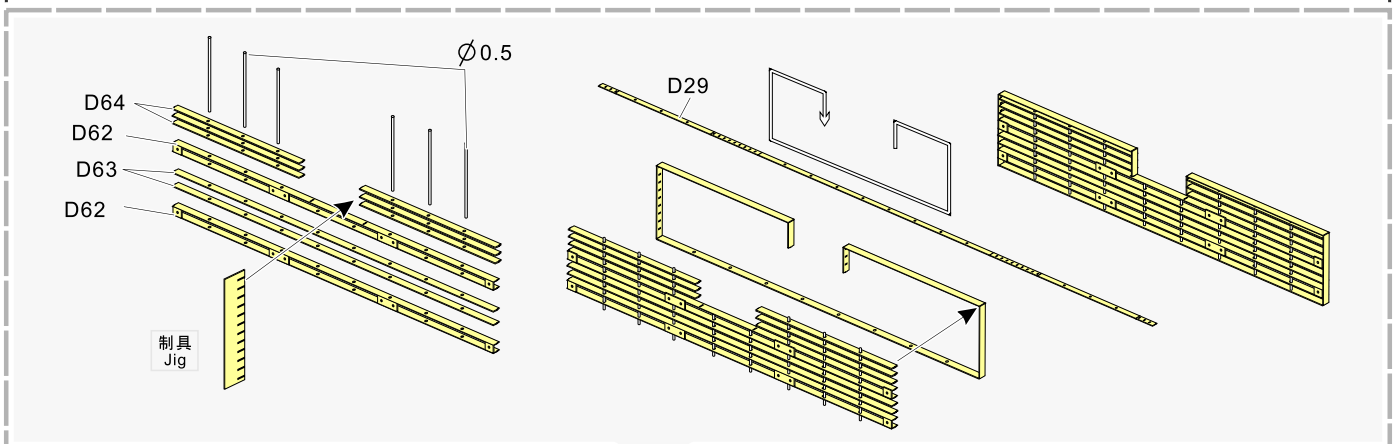
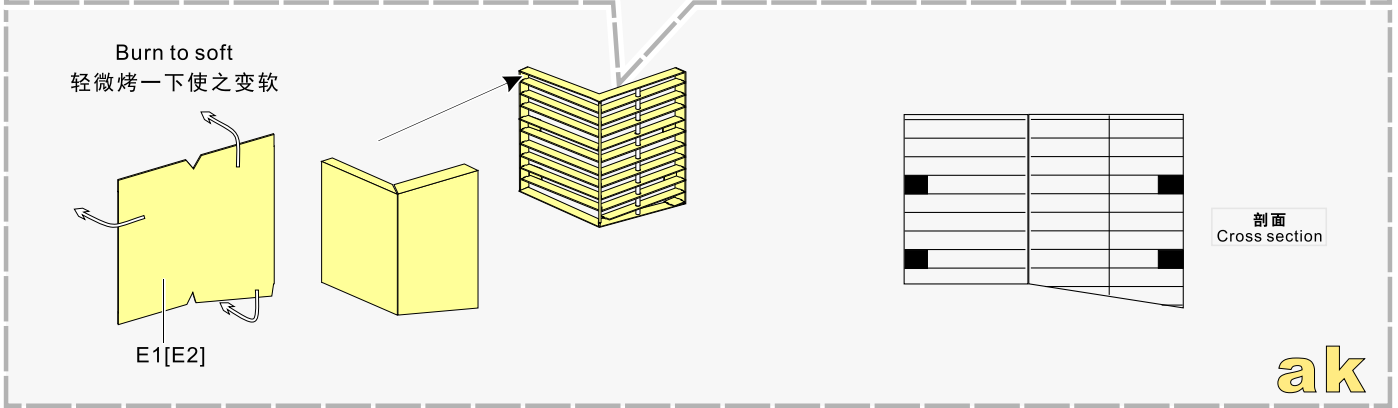
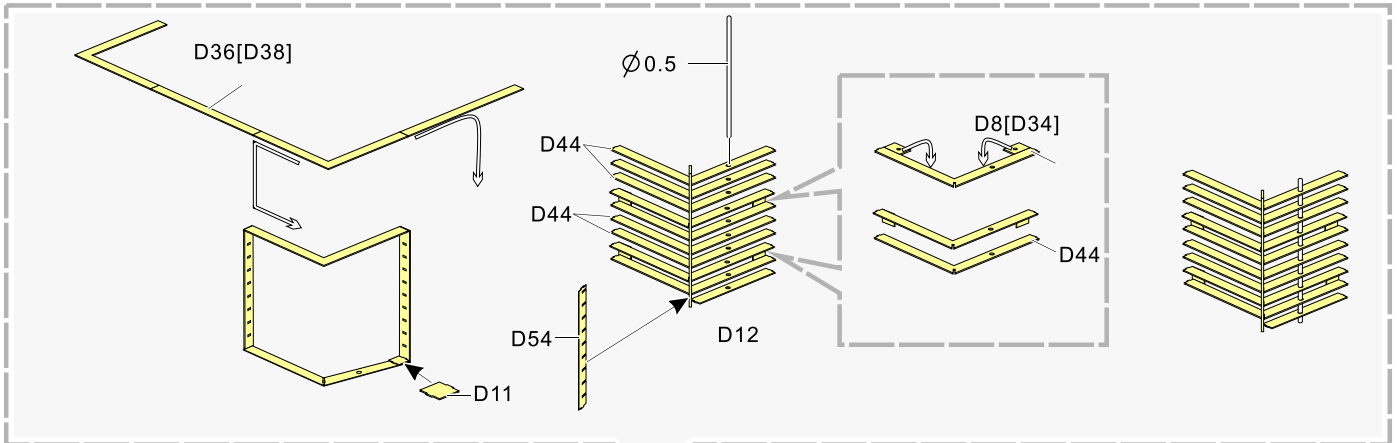
剖面  
Cross section



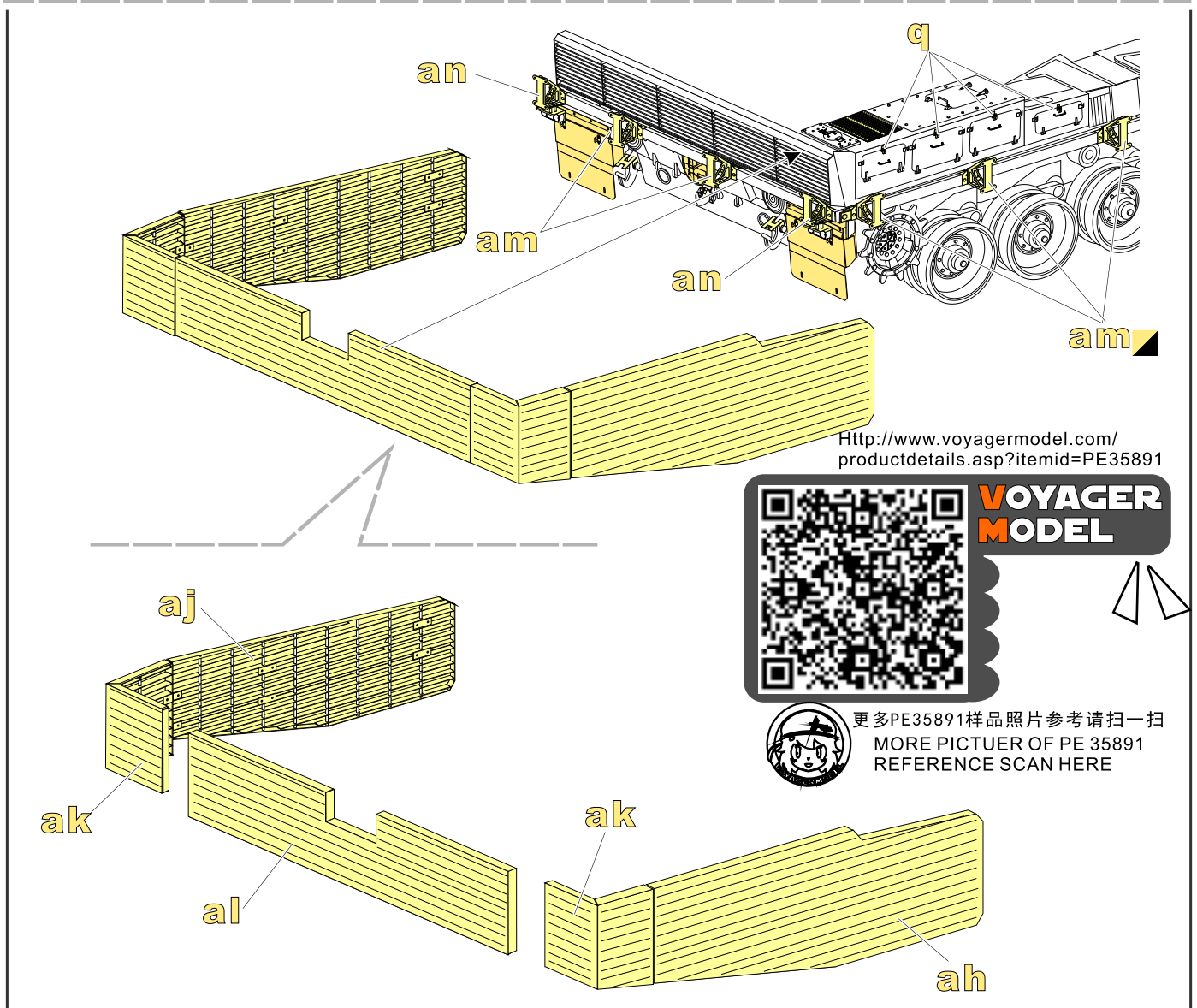
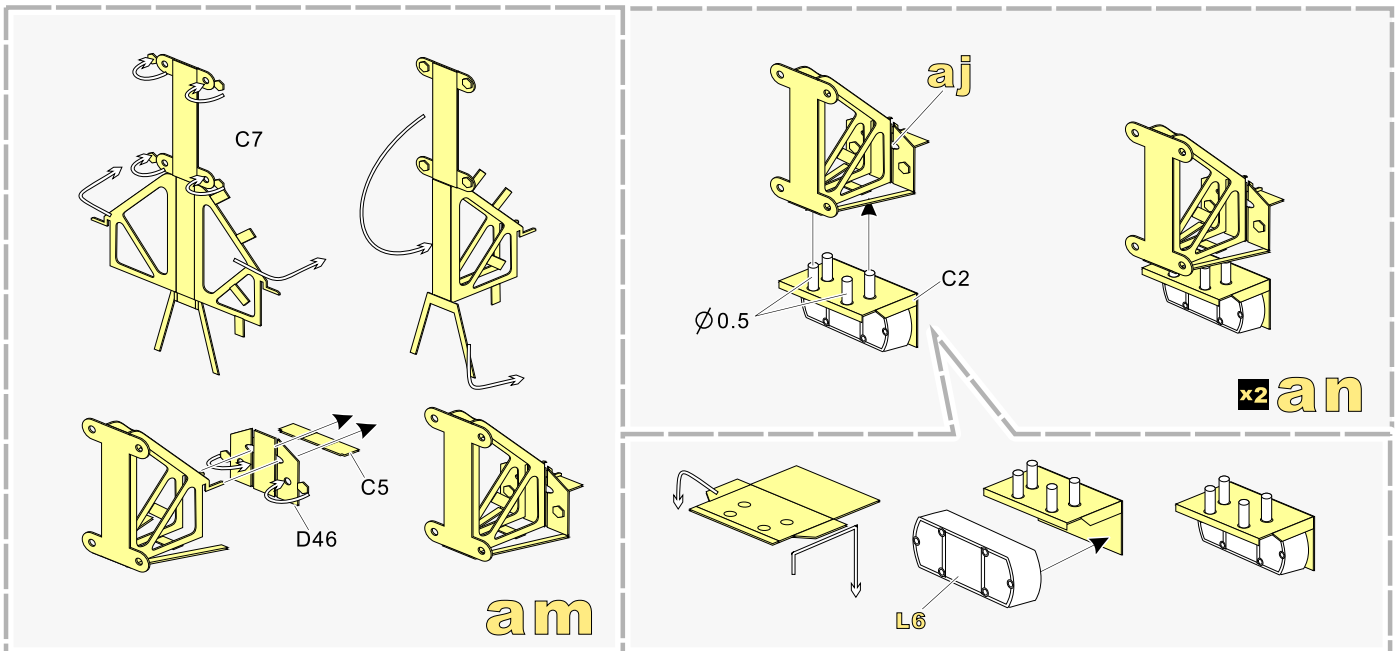
aj



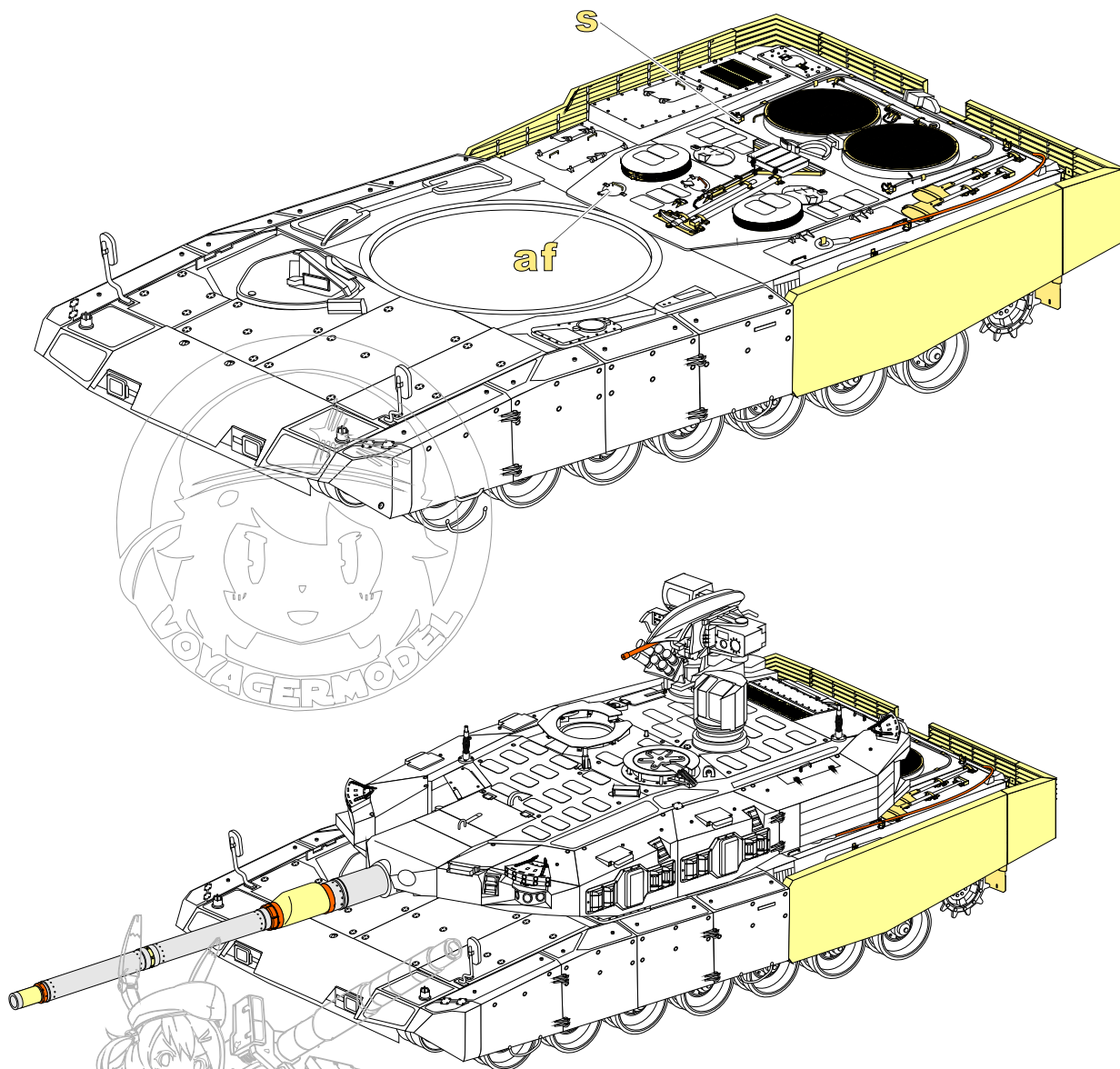
1/35 MILITARY MINIATURE VEHICLE UPGRADE SERIES PE35891



1/35 MILITARY MINIATURE VEHICLE UPGRADE SERIES PE35891



1/35 MILITARY MINIATURE VEHICLE UPGRADE SERIES PE35891



**VOYAGERMODEL**<sup>®</sup> 无微不至 极尽享受  
The Best Upgrade Solution

**Recommended item**

PE 35853	Modern German Gepard A2 SPAAG Basic MENG TS-030
PE 35852	Modern German Gepard A1 SPAAG Basic MENG TS-030
PE 35840	Modern German Gepard A1 SPAAG Basic TAKOM 2044
PE 35841	Modern German Gepard A2 SPAAG Basic TAKOM 2044
PE 35699	Modern German PzH2000 SPH basic(atenna base include) MENG TS-012
PE 35685	Modern Canadian Leopard C2 MBT (Gun barrel ,smoke discharger, antenna base include)
PE 35739	Modern German Leopard 1A5 MBT (Gun barrel ,smoke discharger, antenna base include)
BR 35024	Modern German Leopard 2A4 Lenses and taillights
PE 35774	Modern German Leopard 2A4 Basic
PE 35859	Modern German Leopard 2A7 Basic
PE 35631	Modern German Leopard 1A3 MBT ( Gun barrel Include)
PE 35636	Modern German Leopard 1A4 MBT ( Gun barrel Include)
PE 35652	Modern Canadian Leopard C2 MEXAS MBT(Gun barrel ,smoke discharger include )
PE 35684	Modern German Leopard 1A5 MBT (Gun barrel ,smoke discharger, antenna base include)
VBS0517	Modern German Rh-M-120 L/44 120mm Gun Barrel w/machine gun(Leopard2A4 Revolution 1)
VBS0196	Modern German Rh-M-120 L/44 120mm Gun Barrel (Leopard2A4used)
VBS0199	Modern German Rh-M-120 L/55 120mm Gun Barrel (Leopard2A6used)
VBS0200	Modern German Rh-M-120 L/44 120mm Gun Barrel (Leopard2A5used)