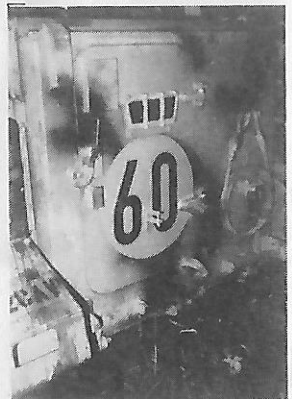
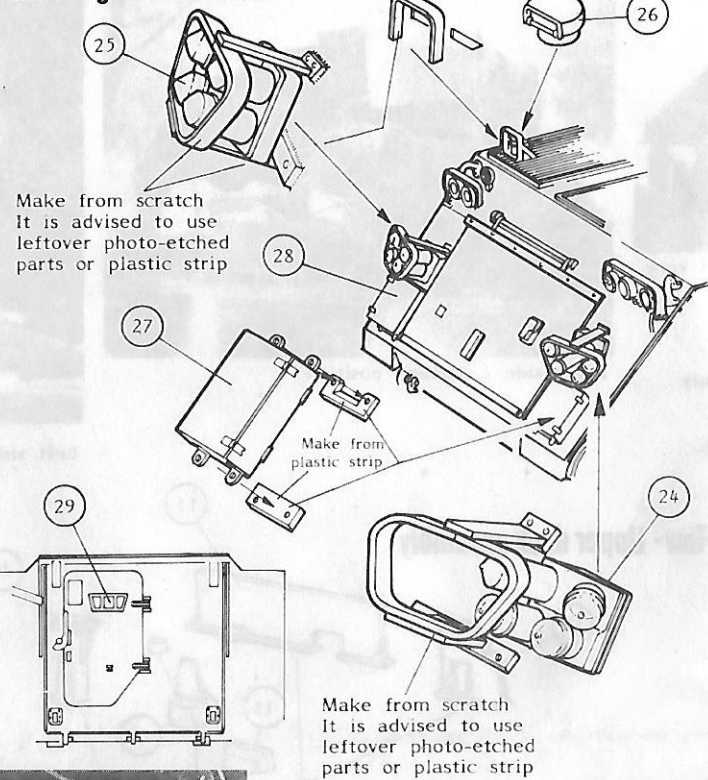
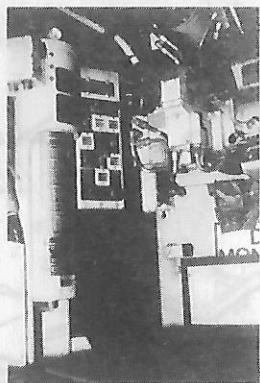


Smoke grenade launchers



M901 TOW
Rear view

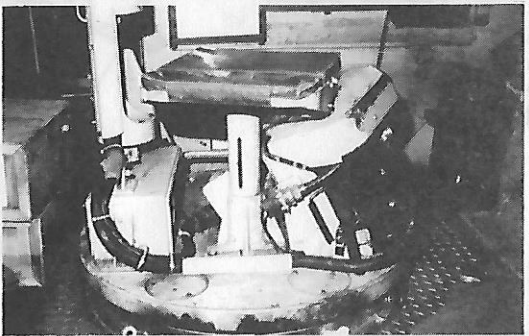
Control column



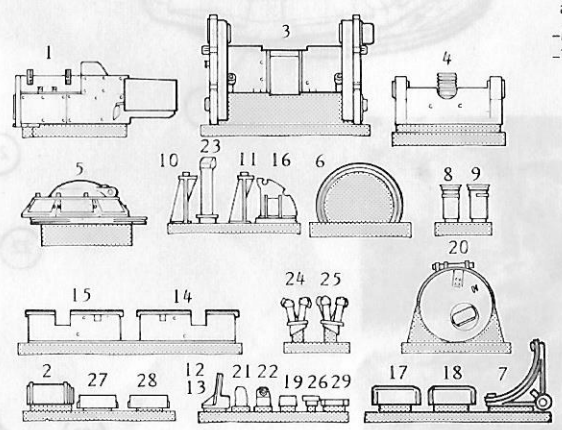
M901 Interior viewed from the rear

M901 Interior

TOW operators seat



Remove shaded areas



Recommended kit : Tamiya M113 Kit n° 3540
Recommended reference material:

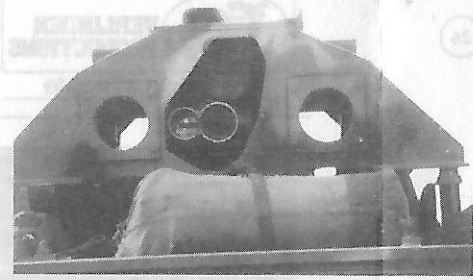
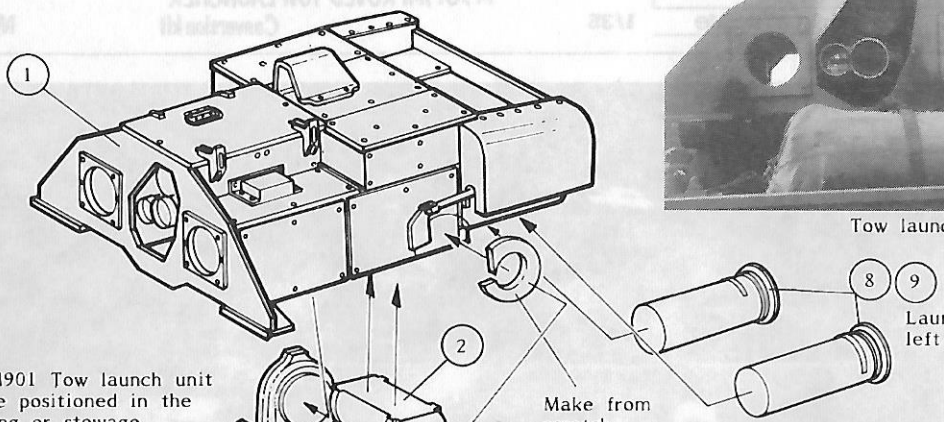
- Modern American /S.J.ZALOGA-LtColJ.W.LOOP
armour Arms & Armour Press/London
- M113 In action Squadron Signal Publications
- The M113 Series /Simon DUNSTAN
Osprey Series n°34
Osprey Publishing/London

Parts list

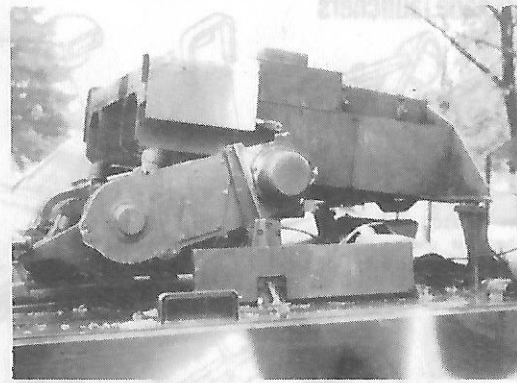
- 1-2-3-4-5 Tow launch unit
- 6-7 M-60 MG ring mount
- 8-9 Tow launch tube (aft part)
- 10-11 Rear Tow rest
- 12-13 Forward Tow rest
- 14-15 Armor plating
- 16 Hatch lift support
- 17-18 Periscopes
- 19 Fire extinguisher handle
- 20 Drivers hatch
- 21-22 Drivers hatch hinges
- 23 Commanders periscope
- 24-25 Smoke grenade launchers
- 26 Exhaust pipe
- 27-28 Smoke grenade storage box
- 29 Rear ramp door window

CAUTION
Use cyanoacrylate glue only to bond the parts firmly.
Work in well-ventilated areas only since excessive
inhalation of these glues can be harmful.

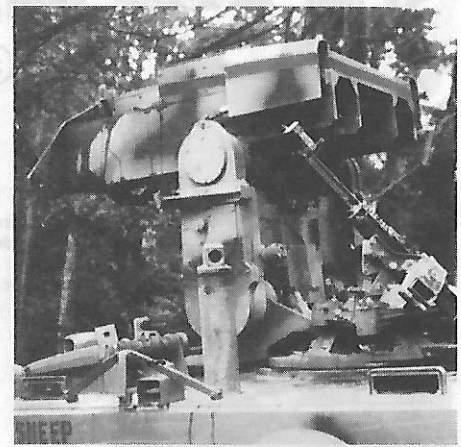
M901 Tow - Launcher assembly



Tow launcher frontal view



Right side / stowage position

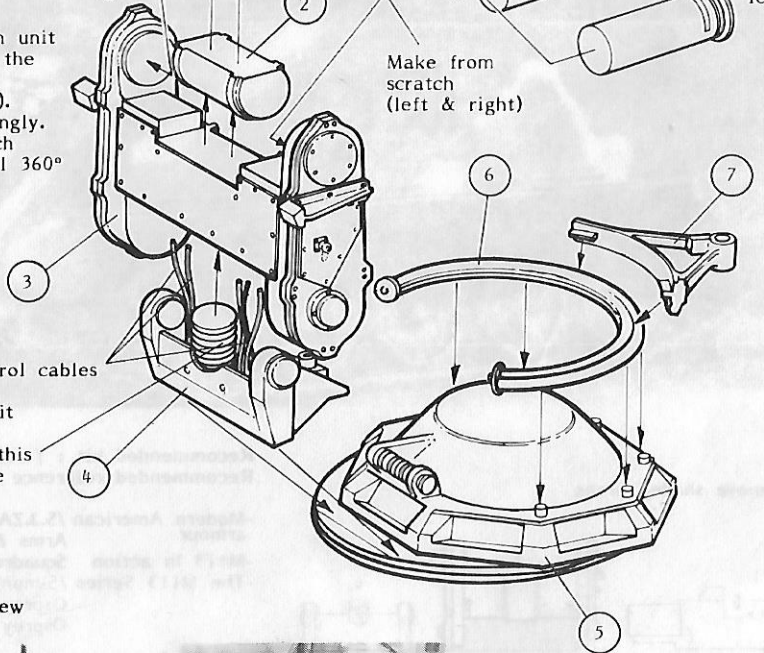


Left side / raised position

The M901 Tow launch unit can be positioned in the shooting or stowage position (see pictures). Adjust part 2 accordingly. The actual Tow launch unit can rotate a full 360°

Make from scratch (left & right)

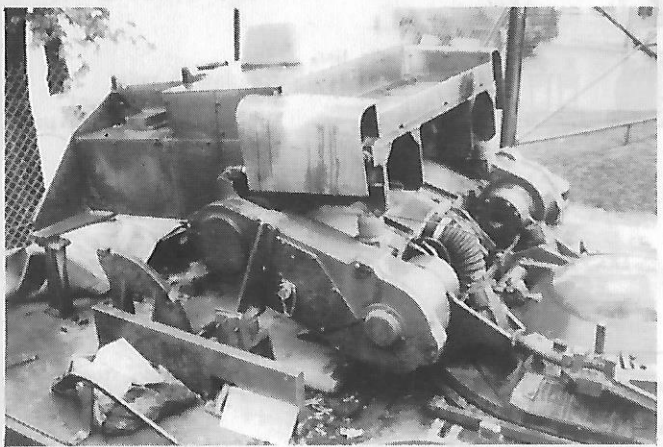
Launch tubes left & right only



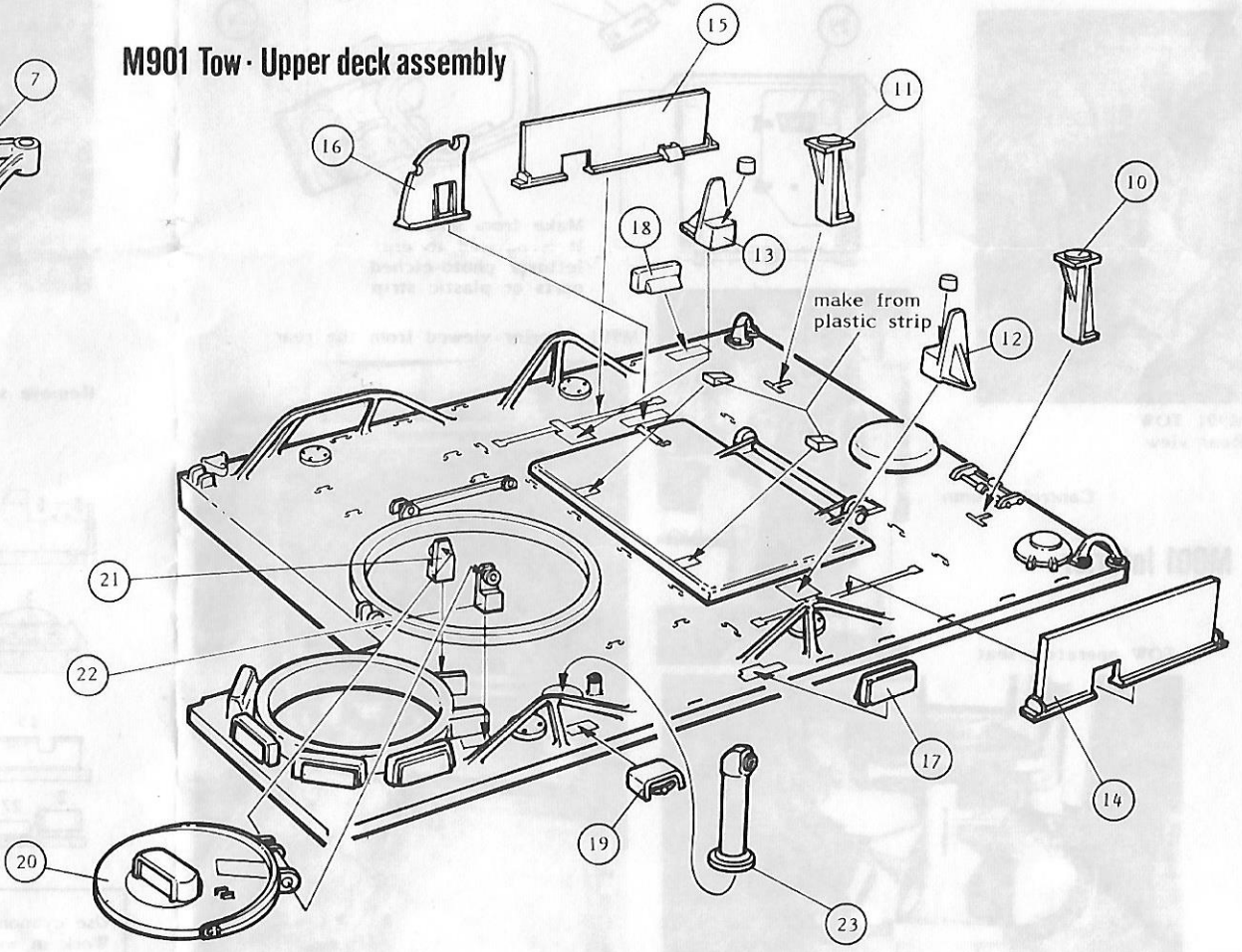
Add control cables

When the Tow unit is in the lowered position, replace this part by a flexible neck straw

Tow launcher top view



M901 Tow - Upper deck assembly



make from plastic strip