

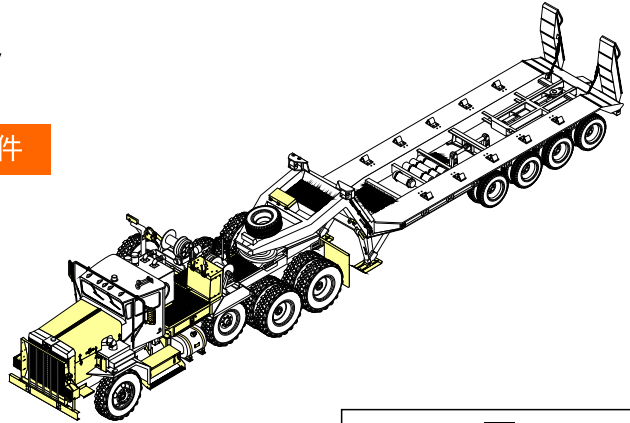
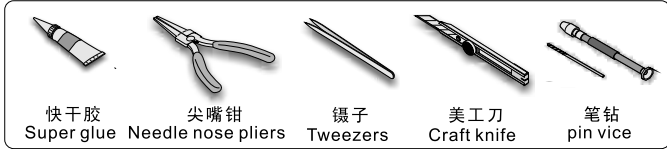
1/35 MILITARY MINIATURE VEHICLE UPGRADE SERIES PE35951










Modern US Army M911 C-HET & M747 Heavy Equipment Semi-Trailer


现代美国M911牵引车及M747重型设备半挂车改造件

[For MENG SS-013]

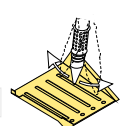
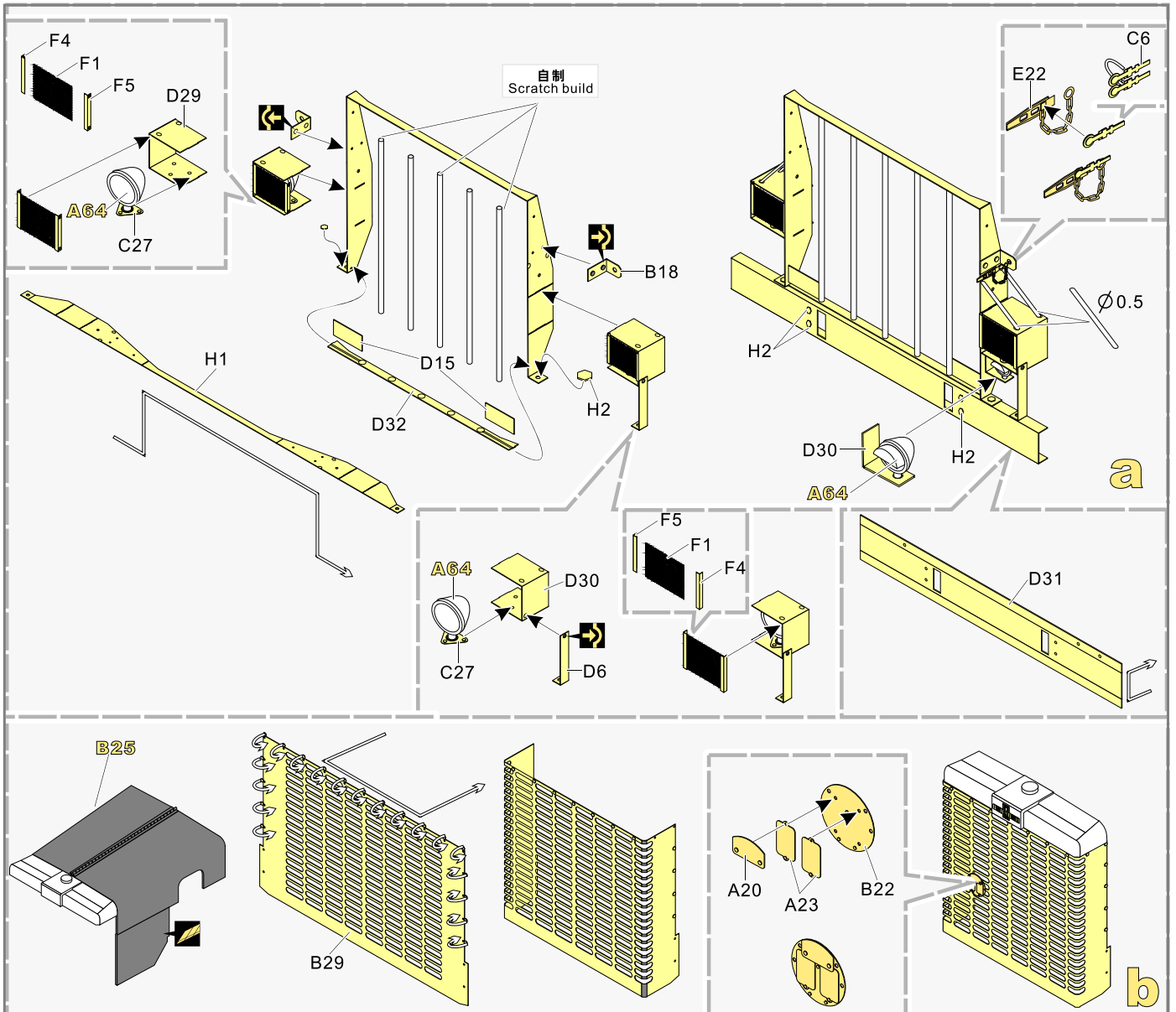
推荐使用工具 RECOMMENDED TOOLS



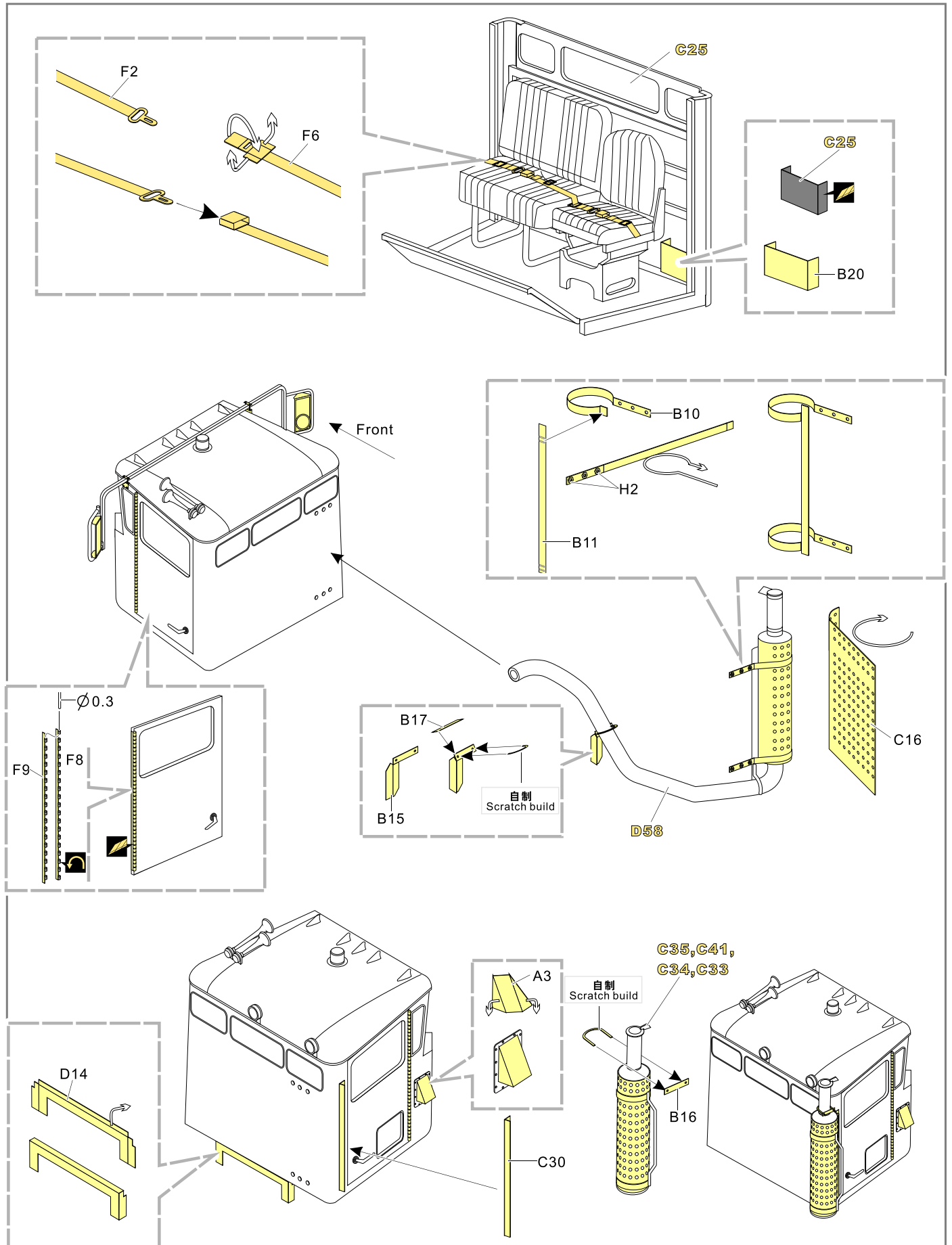
- 
 安装
install
- 
 折叠
bend
- A1**
 改造件零件编号
PE/resin part number
- B12**
 原零件编号
kit part number
- C22**
 被替换的原零件编号
replaced kit part number
- 
 另一侧相同制作
repeat on opposite side
- 
 切除
remove
- 
 打磨
grind off
- 
 弧度卷曲
radial bending
- 
 制作若干组
multiple assembly
- 
 选择安装
alternative
- 
 钻孔
drill


 用尖端在凹槽处冲压
use penpoint to press on the dent

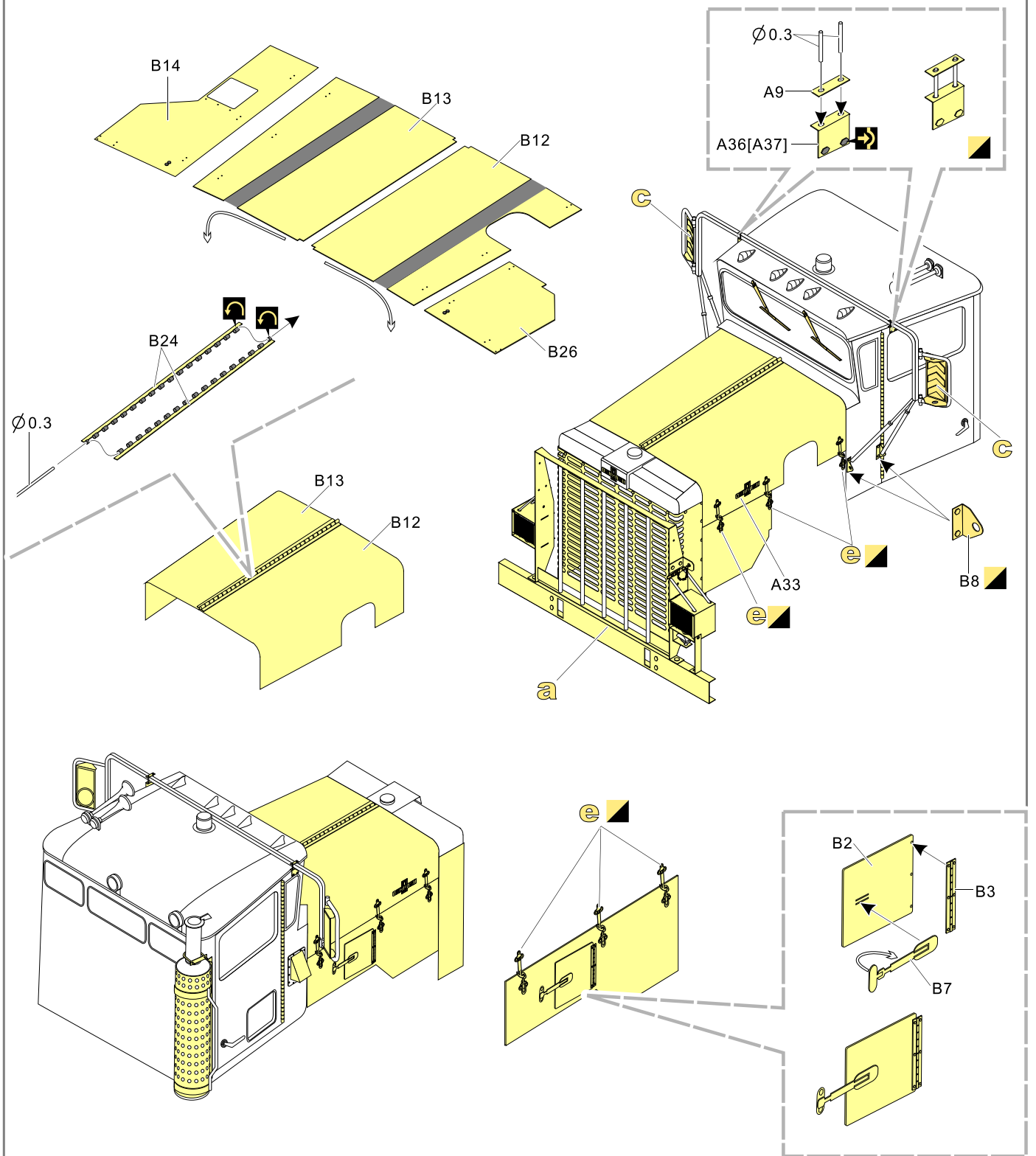
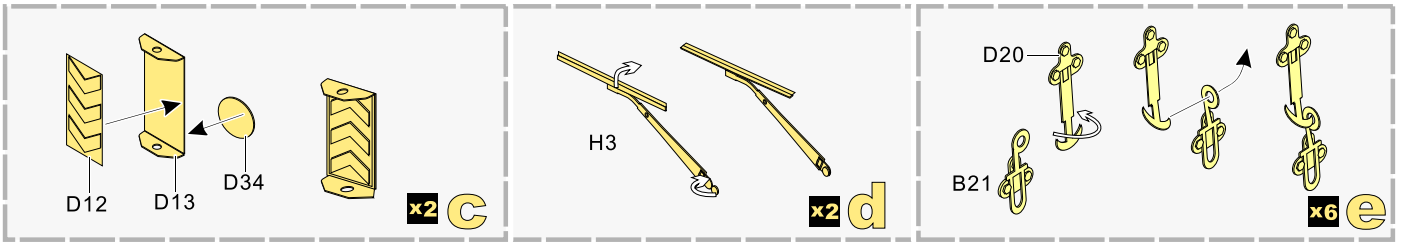
蚀刻片零件内侧面向上
Put the part upside down
 用笔尖在凹槽处刺
Use penpoint to press on the dent

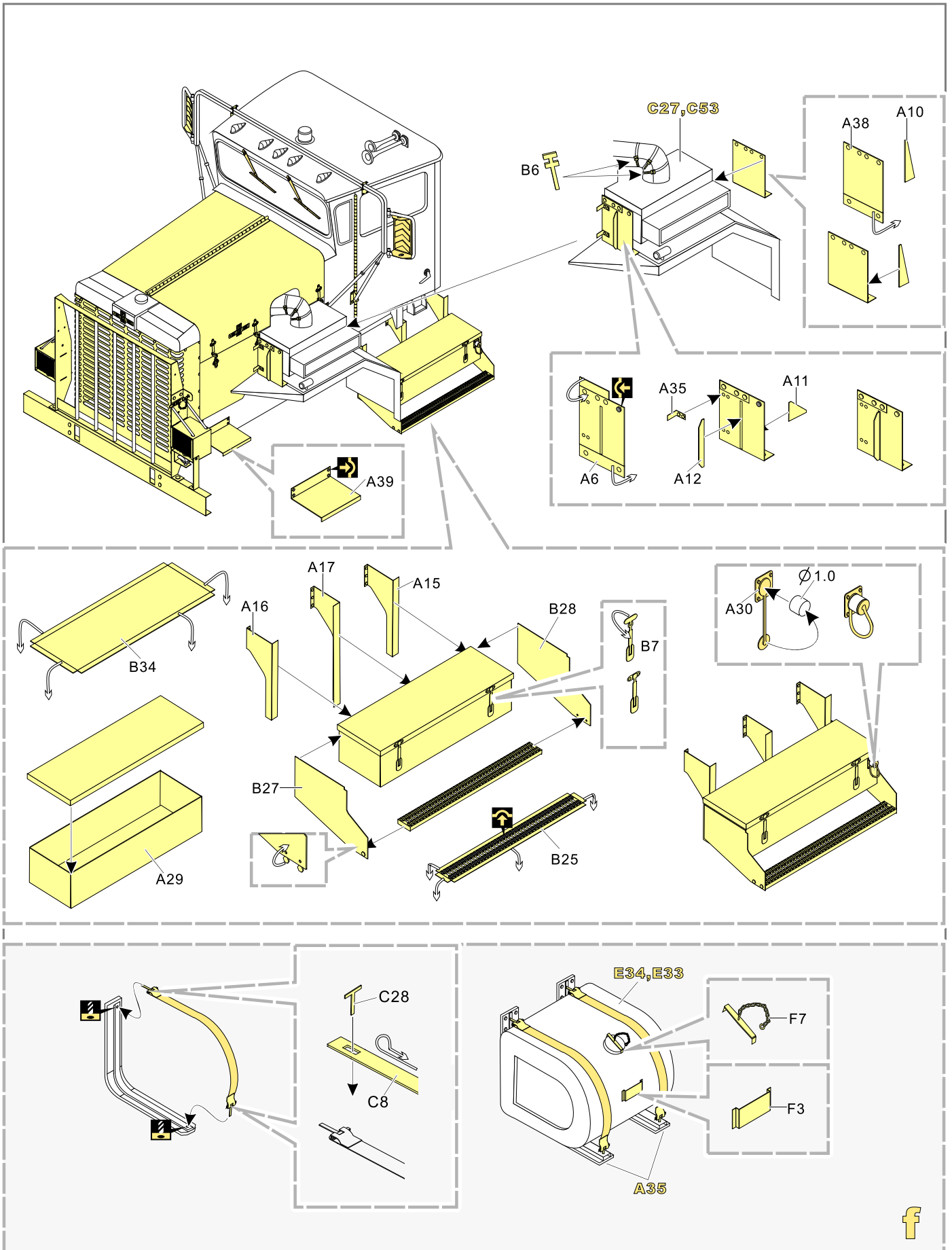
1/35 MILITARY MINIATURE VEHICLE UPGRADE SERIES PE35951



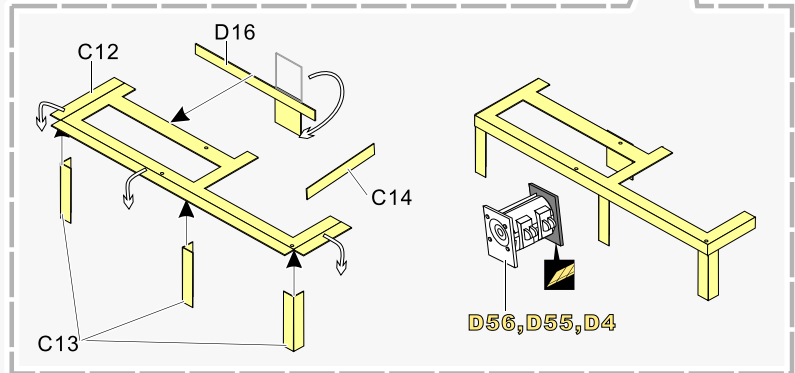
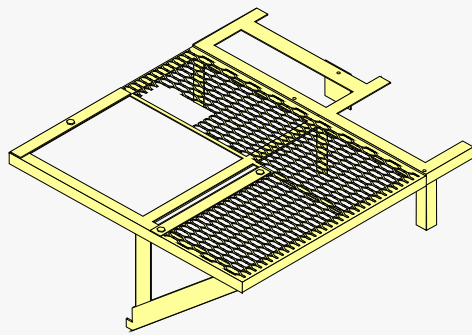
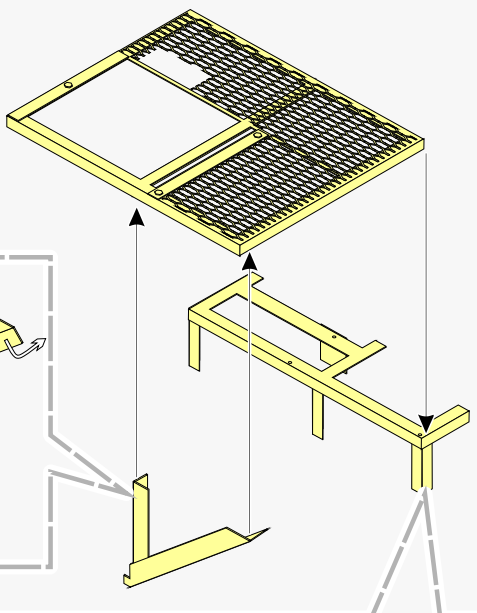
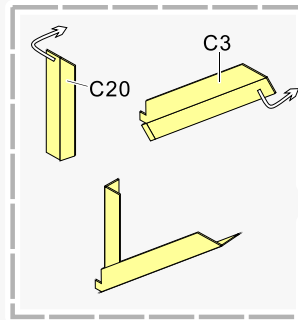
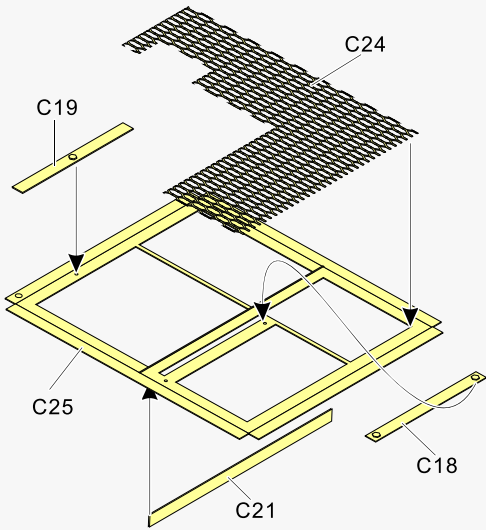
1/35 MILITARY MINIATURE VEHICLE UPGRADE SERIES PE35951



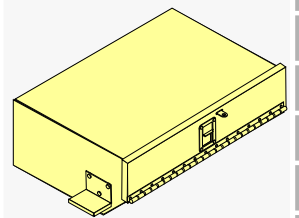
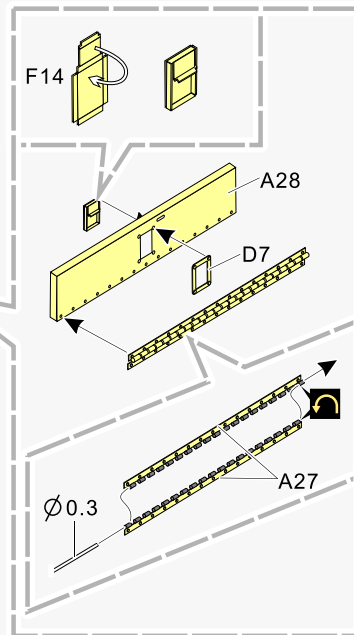
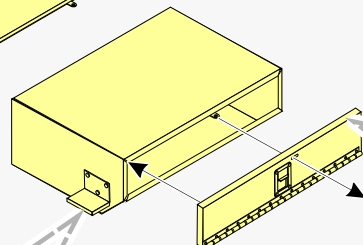
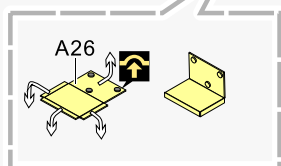
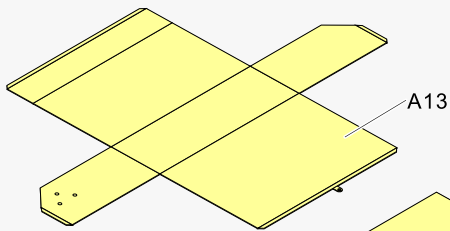
1/35 MILITARY MINIATURE VEHICLE UPGRADE SERIES PE35951



1/35 MILITARY MINIATURE VEHICLE UPGRADE SERIES PE35951

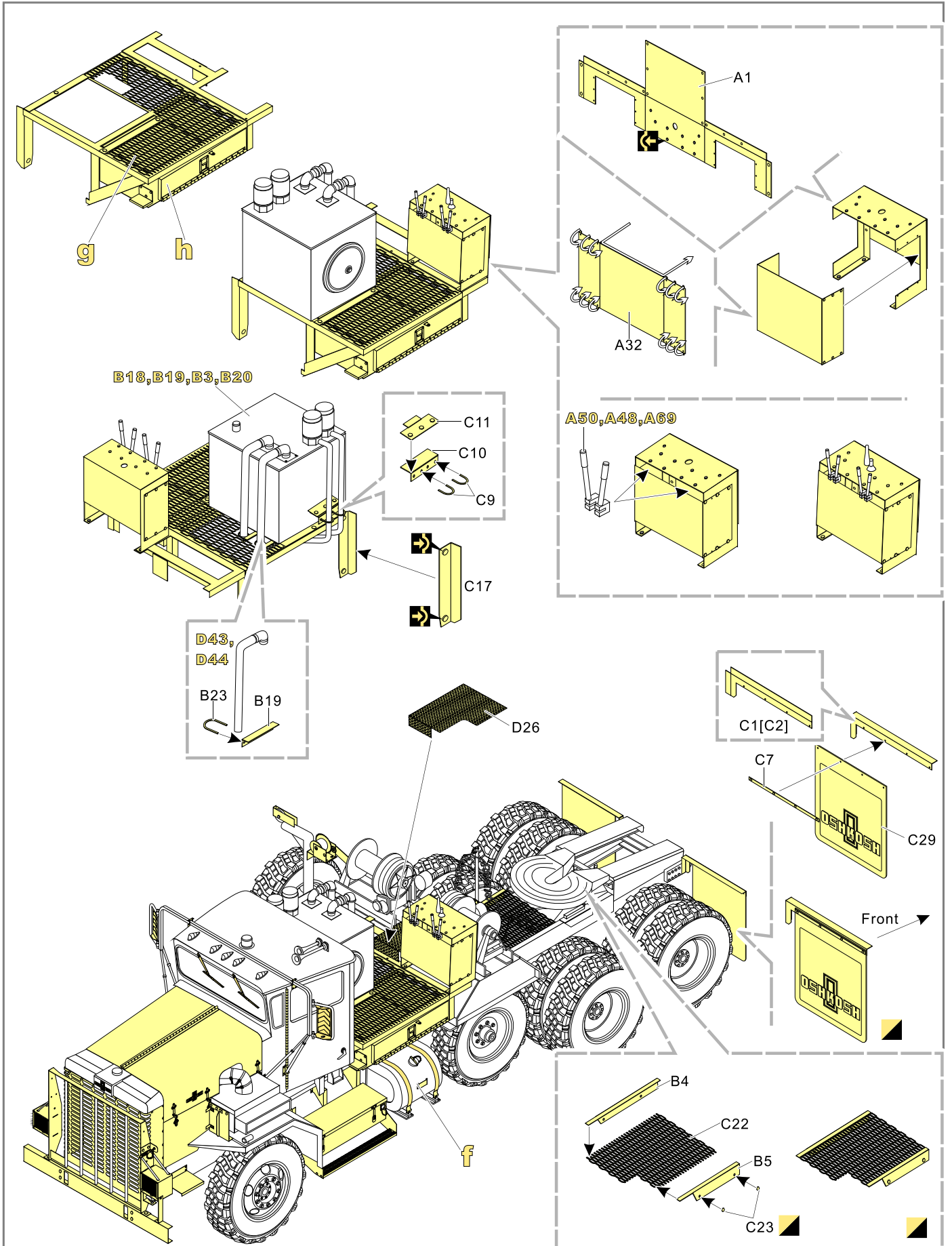


g

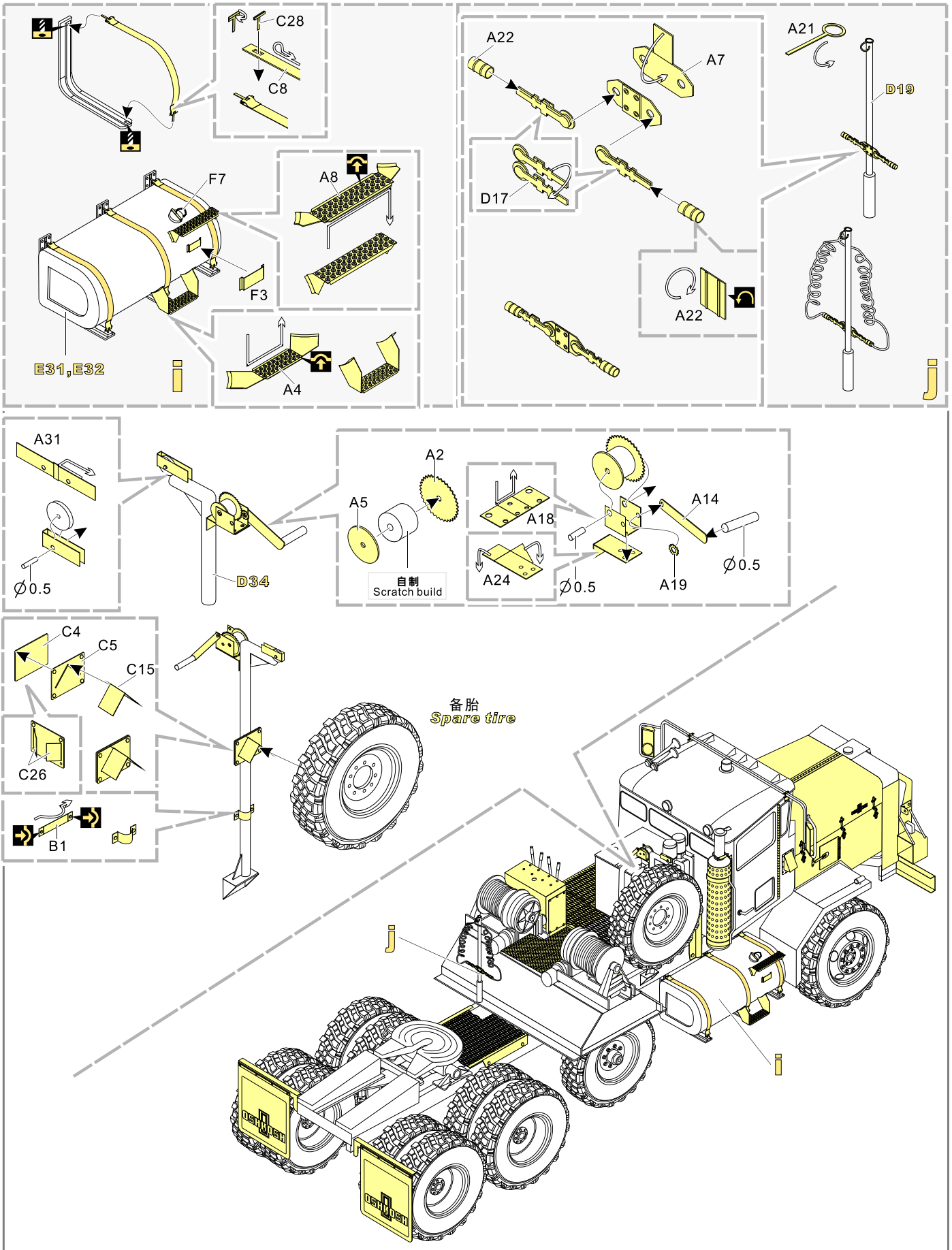


h

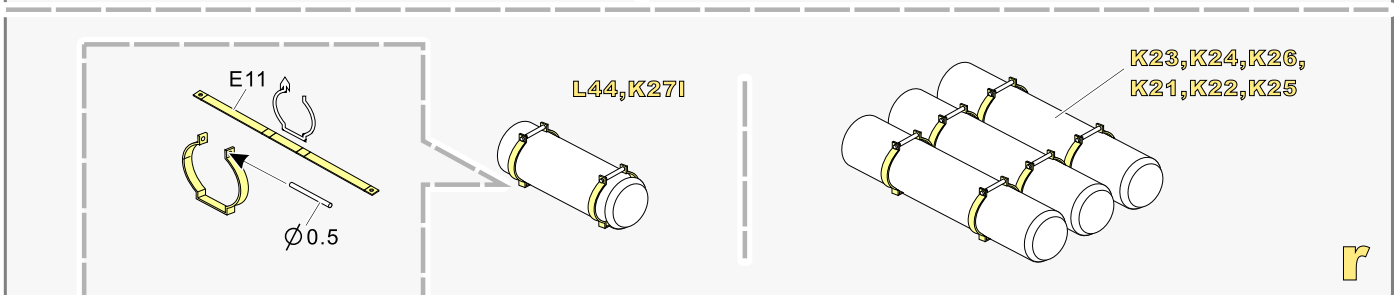
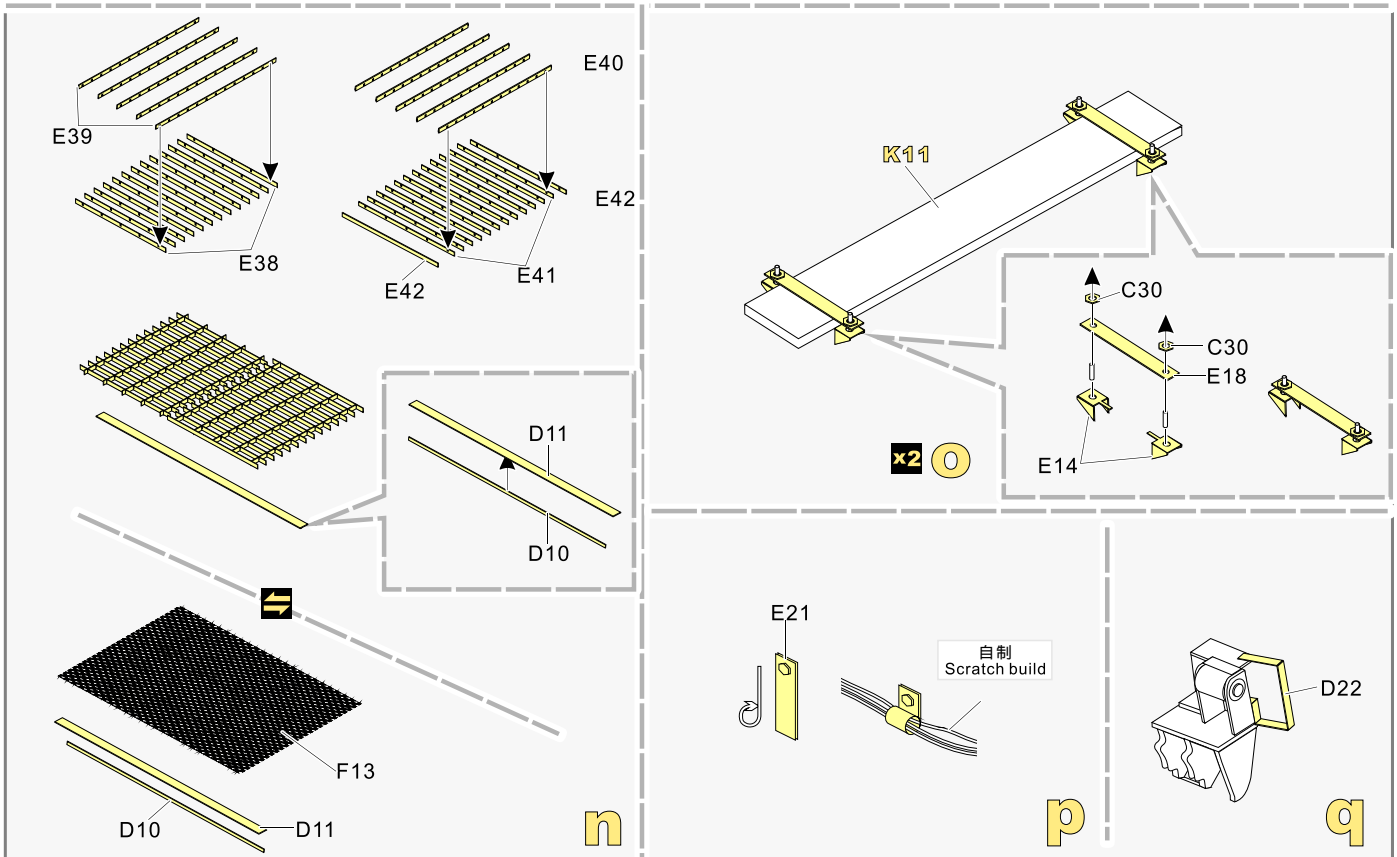
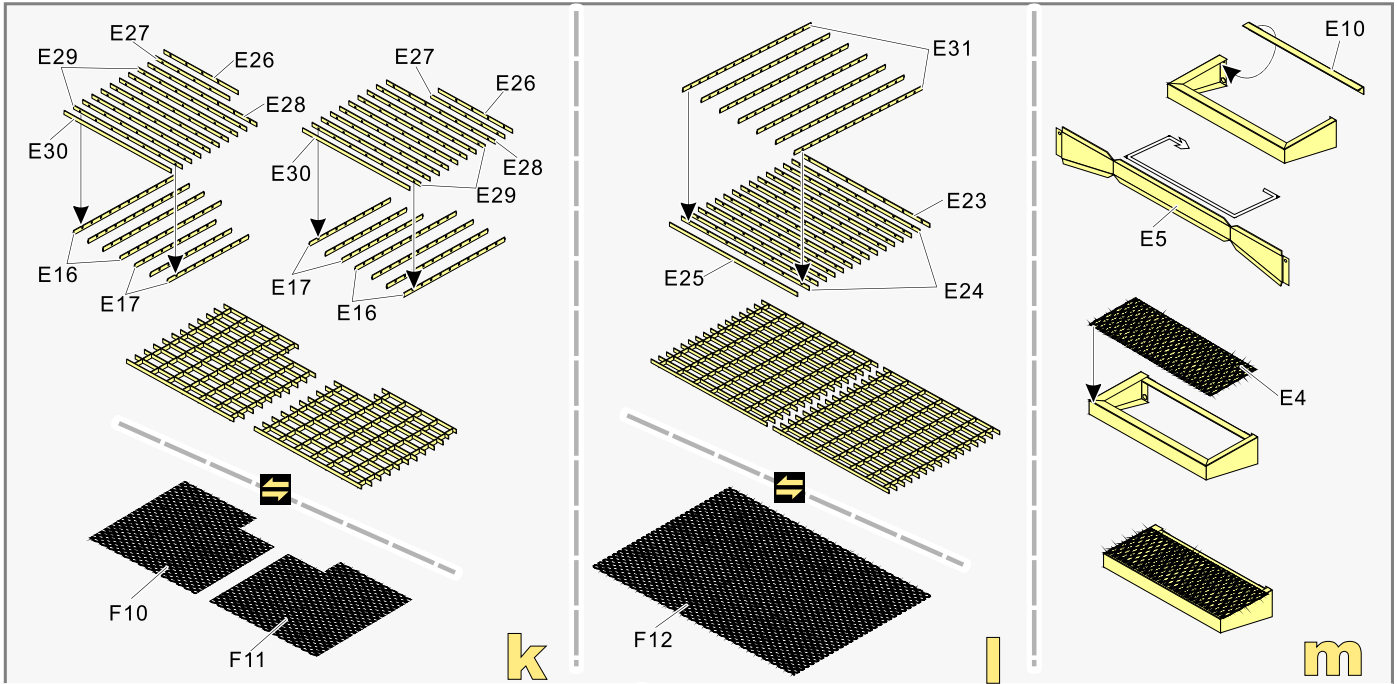
1/35 MILITARY MINIATURE VEHICLE UPGRADE SERIES PE35951



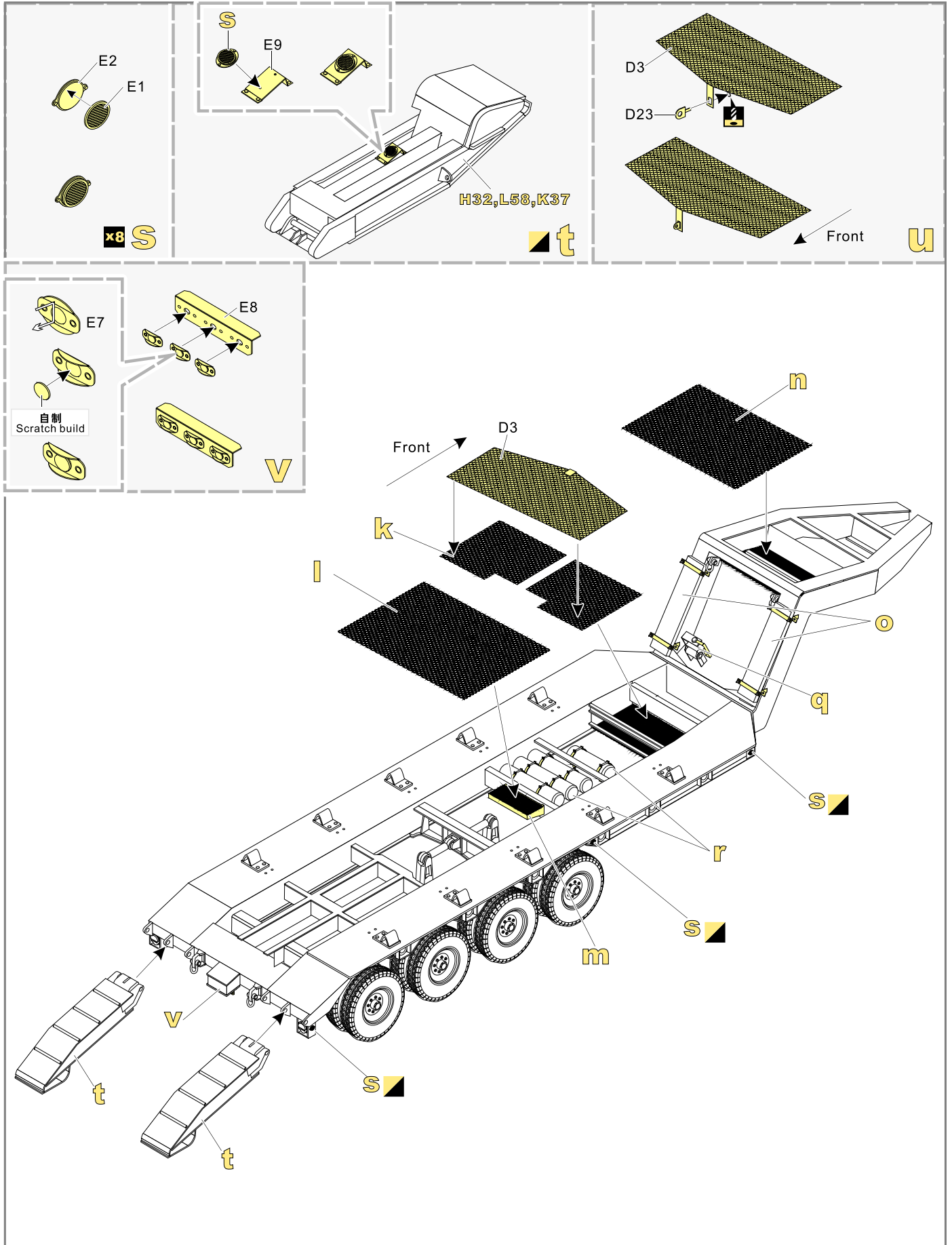
1/35 MILITARY MINIATURE VEHICLE UPGRADE SERIES PE35951



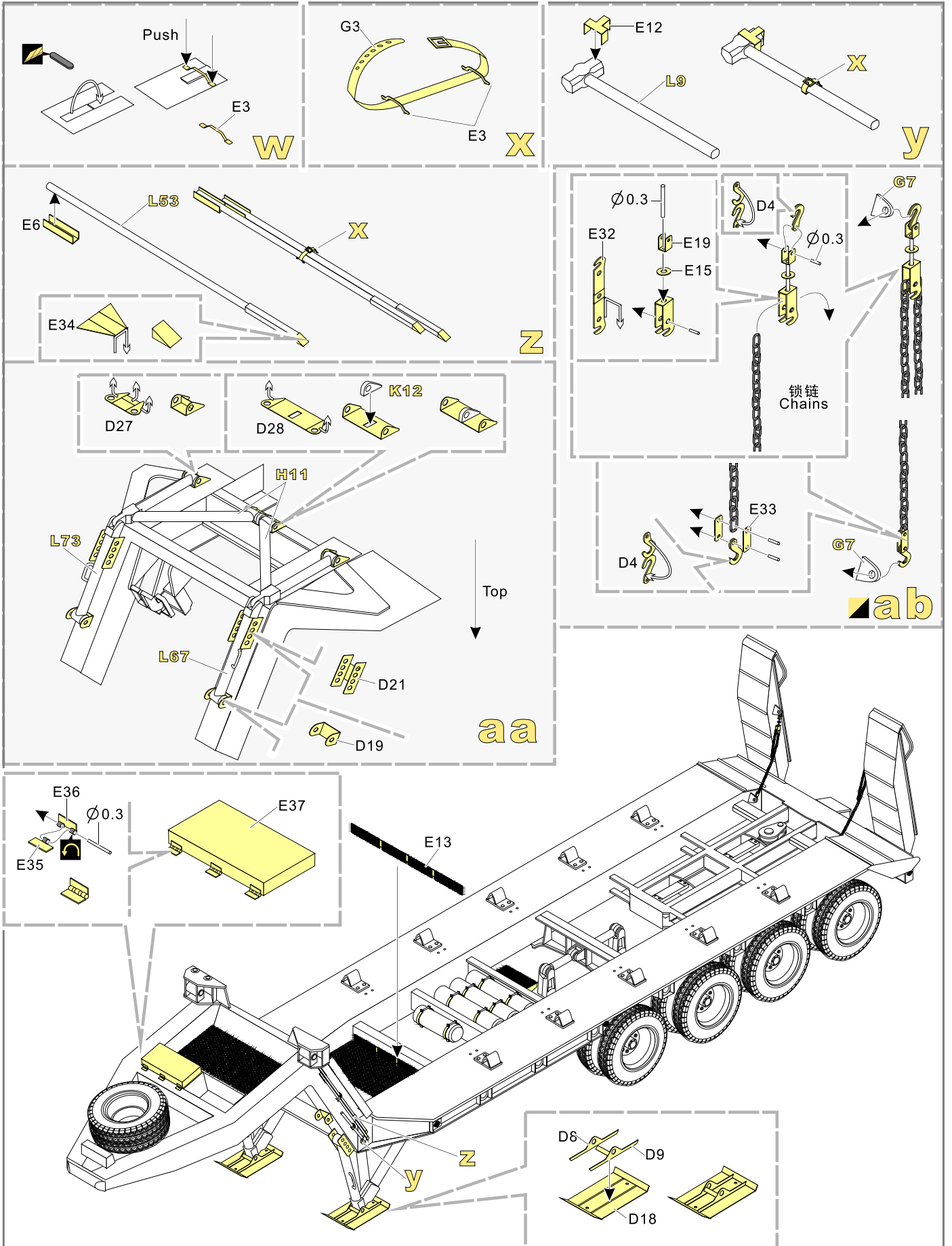
1/35 MILITARY MINIATURE VEHICLE UPGRADE SERIES PE35951



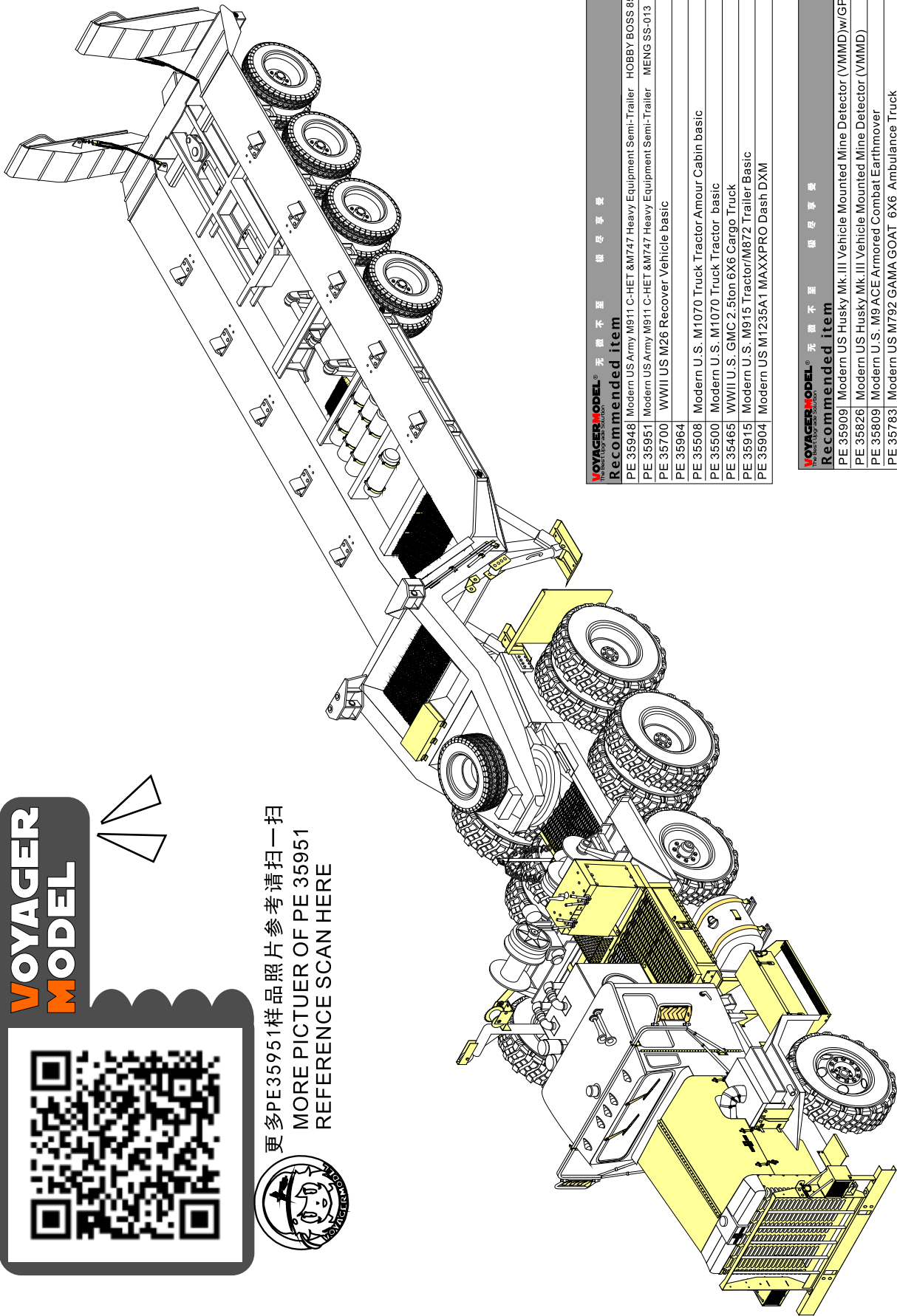
1/35 MILITARY MINIATURE VEHICLE UPGRADE SERIES PE35951



1/35 MILITARY MINIATURE VEHICLE UPGRADE SERIES PE35951



1/35 MILITARY MINIATURE VEHICLE UPGRADE SERIES PE35951



**VOYAGER
MODEL**



更多PE35951样品照片参考请扫一扫
MORE PICTURES OF PE 35951
REFERENCE SCAN HERE



VOYAGERMODEL® 沃雅不至 模型专家

Recommended item

PE 35948	Modern US Army M911 C-HET &M747 Heavy Equipment Semi-Trailer	HOBBY BOSS 85519
PE 35951	Modern US Army M911 C-HET &M747 Heavy Equipment Semi-Trailer	MENG SS-013
PE 35700	WWII US M26 Recover Vehicle basic	
PE 35964		
PE 35508	Modern U.S. M1070 Truck Tractor Armour Cabin basic	
PE 35500	Modern U.S. M1070 Truck Tractor basic	
PE 35465	WWII U.S. GMC 2.5ton 6X6 Cargo Truck	
PE 35915	Modern U.S. M915 Tractor/M872 Trailer Basic	
PE 35904	Modern US M1235A1 MAXXPRO Dash DXM	

VOYAGERMODEL® 沃雅不至 模型专家

Recommended item

PE 35909	Modern US Husky Mk. III Vehicle Mounted Mine Detector (VMMD)w/GPRS	
PE 35826	Modern US Husky Mk. III Vehicle Mounted Mine Detector (VMMD)	
PE 35809	Modern U.S. M9 ACE Armored Combat Earthmover	
PE 35783	Modern US M792 GAMA GOAT 6X6 Ambulance Truck	
PE 35632	Modern US Army M88A1 Recovery Vehicle (smoke discharger include)	
PE 35633	Modern German M88A1G Recovery Vehicle (smoke discharger include)	
PE 35627	Modern US M561 GAMA GOAT 6X6 Vehicle	
PE 35949	Modern US Buffalo a2 6X6 MPCV	
PE 35950	Modern US Army THAAD(Terminal High Altitude Area Defence)	