



1:35 WWII U.S. Military Tractor

A1367 SCALE MODEL CONSTRUCTION KIT



During 1941 to 1945 over 15,000 specially built and designed military tractors were built in the U.S. Approximately 40 variants were produced and were used in every theatre the U.S. forces operated in. One interesting fact was that the manual for this military tractor included instructions for destroying the tractor should it be in danger of being seized by the enemy. Many of them stayed in both military and civilian use long after the war.

**HORNBY
HOBBIES**

FOR BEST RESULTS:

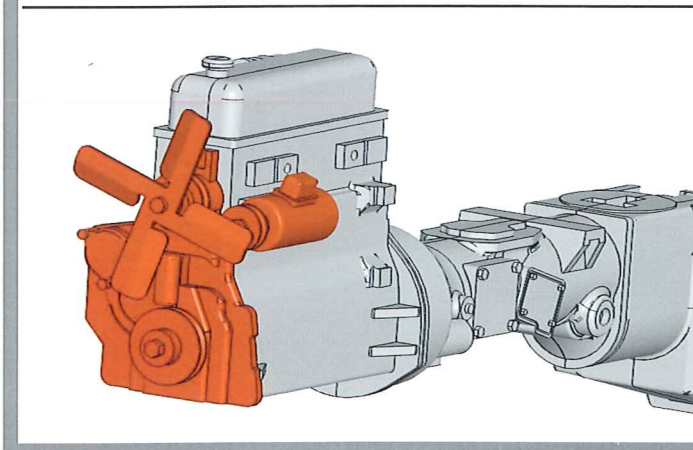
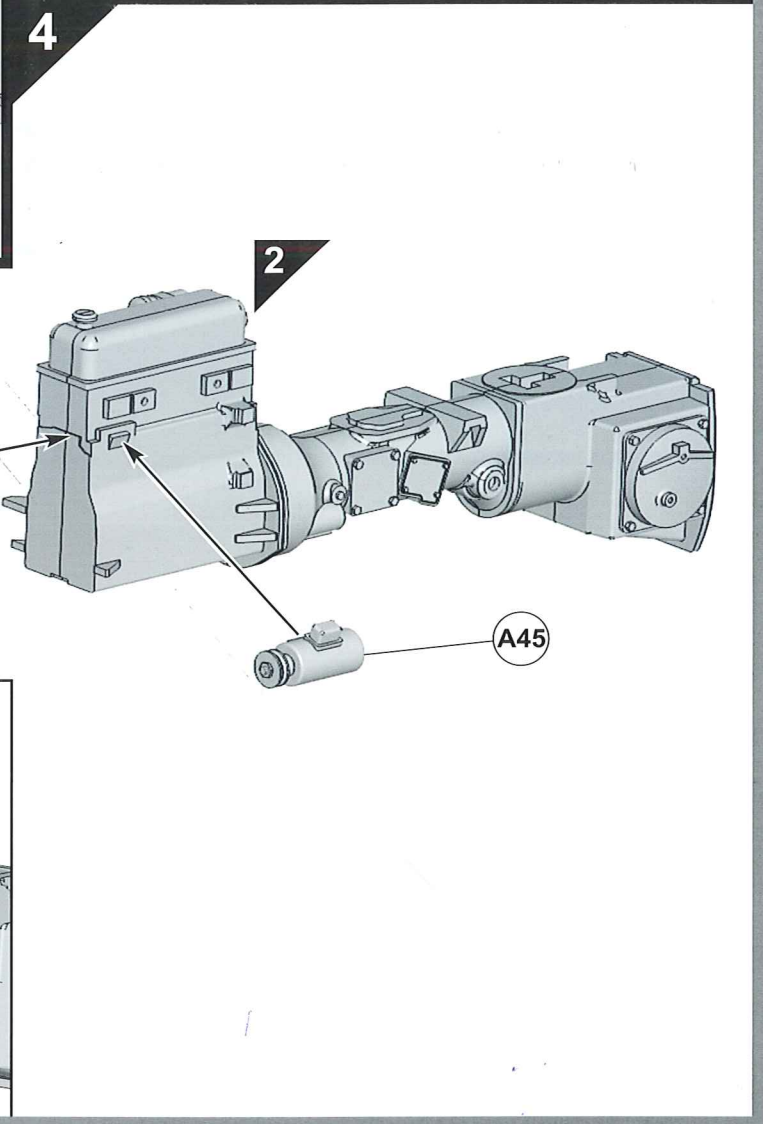
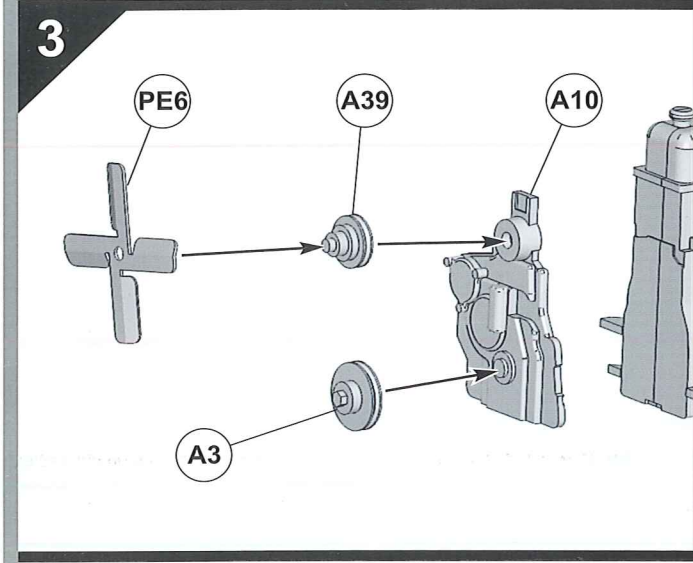
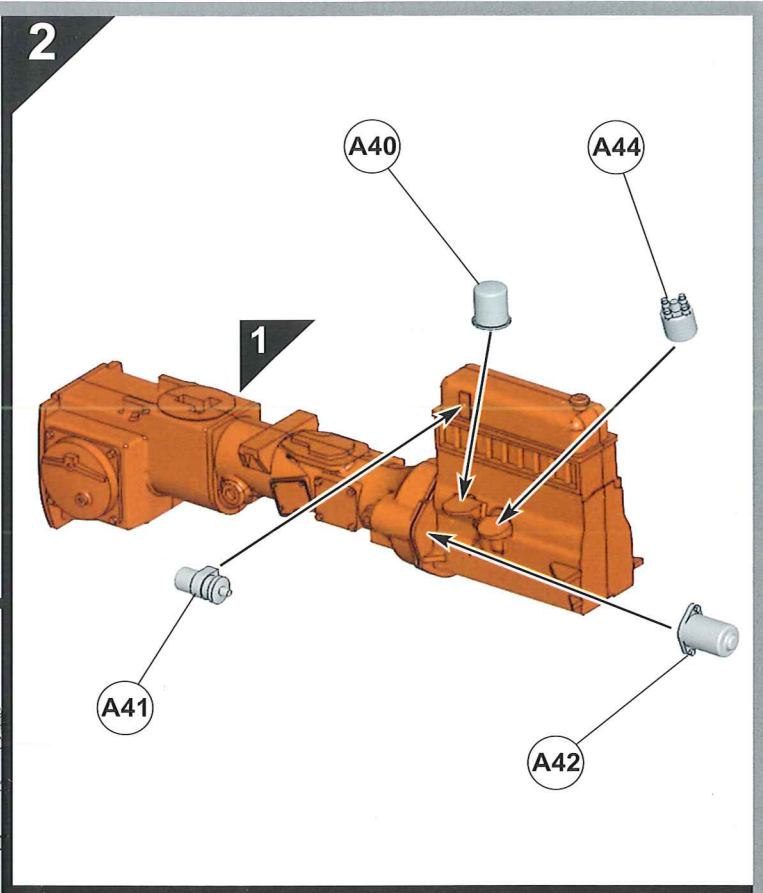
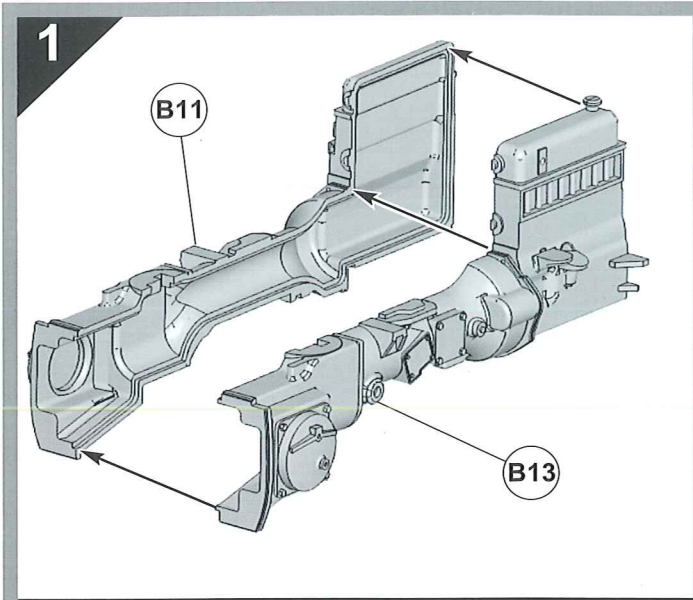
Surfaces to be painted should be clean — before parts are removed from the sprue, wash in warm, soapy water, rinse and dry thoroughly. Stir paints thoroughly before use.

PLEASE NOTE:

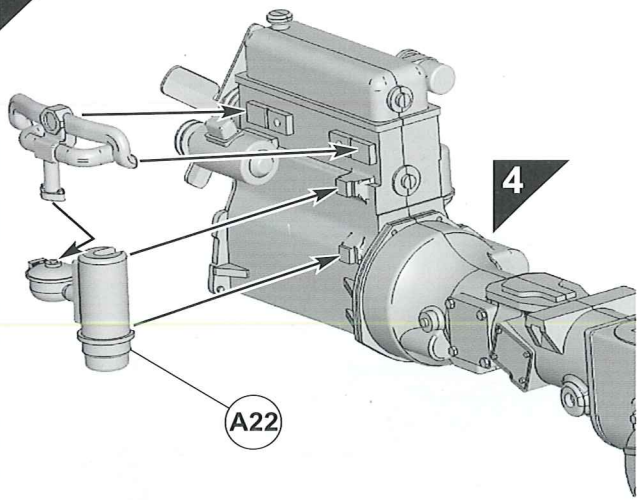
Some parts in the kit may not be required to build the model specified.

Manufactured by: Hornby Hobbies Ltd Westwood, Margate, Kent, CT9 4JX, UK +44(0)1843 233525 customerservices.uk@hornby.com

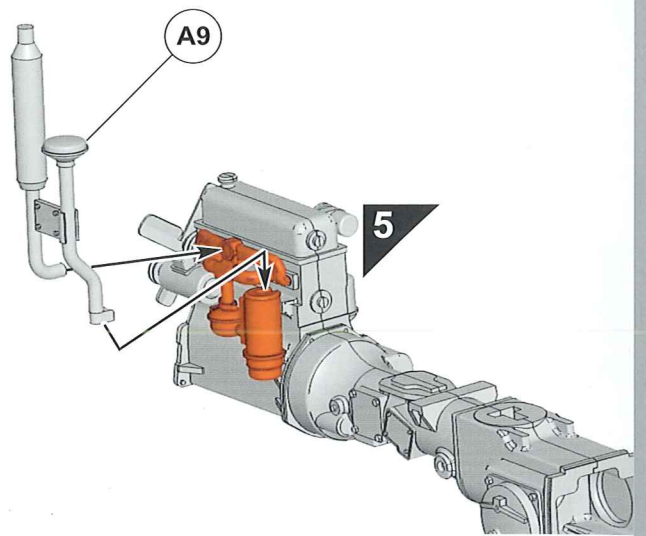
EU Authorised Representative: Hornby Italia SRL Viale dei Caduti, 52/A6, Castel Mella (BS), Italy, 25030 +39 0687501292 customerservices.it@hornby.com



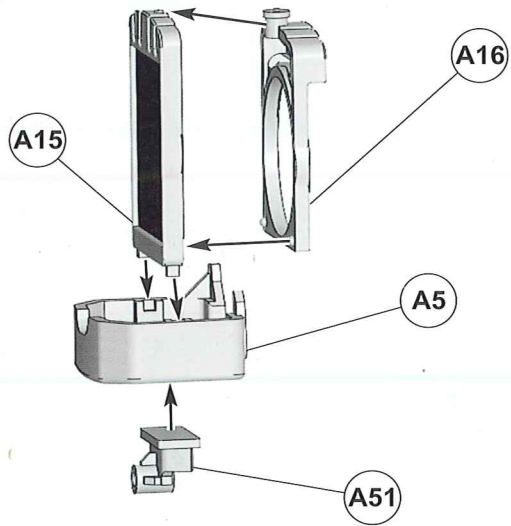
5



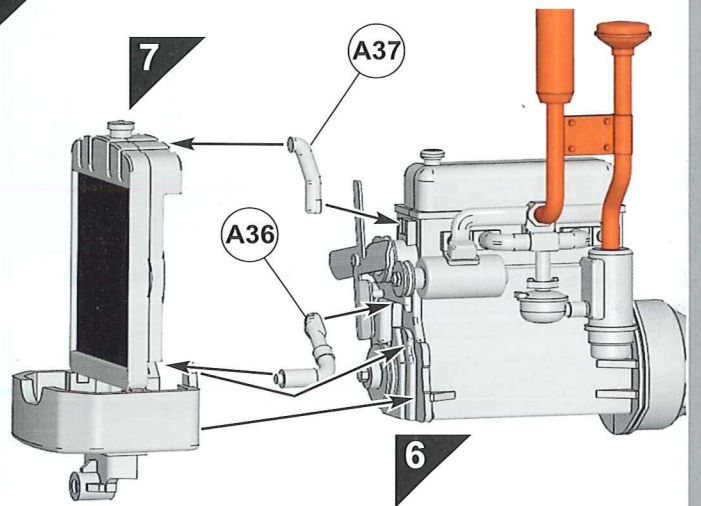
6



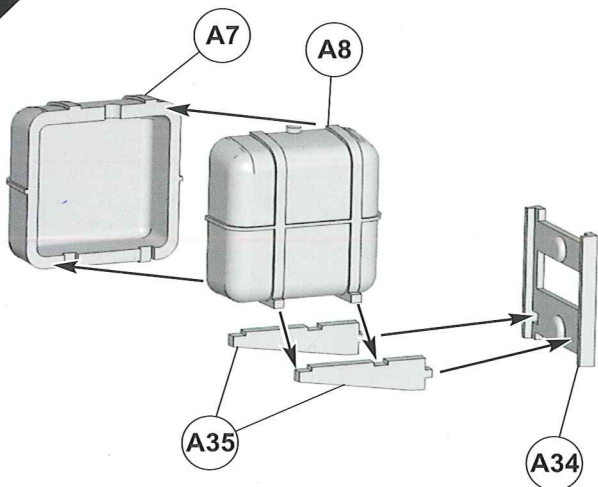
7



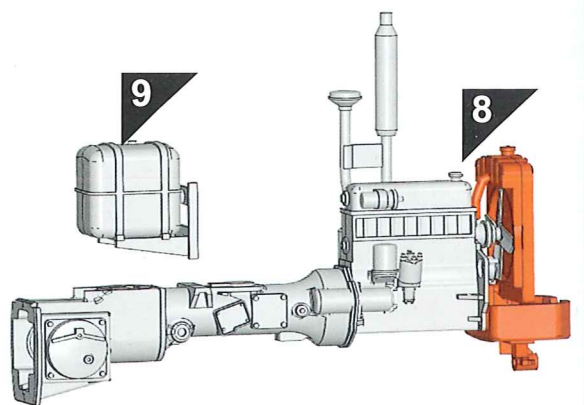
8

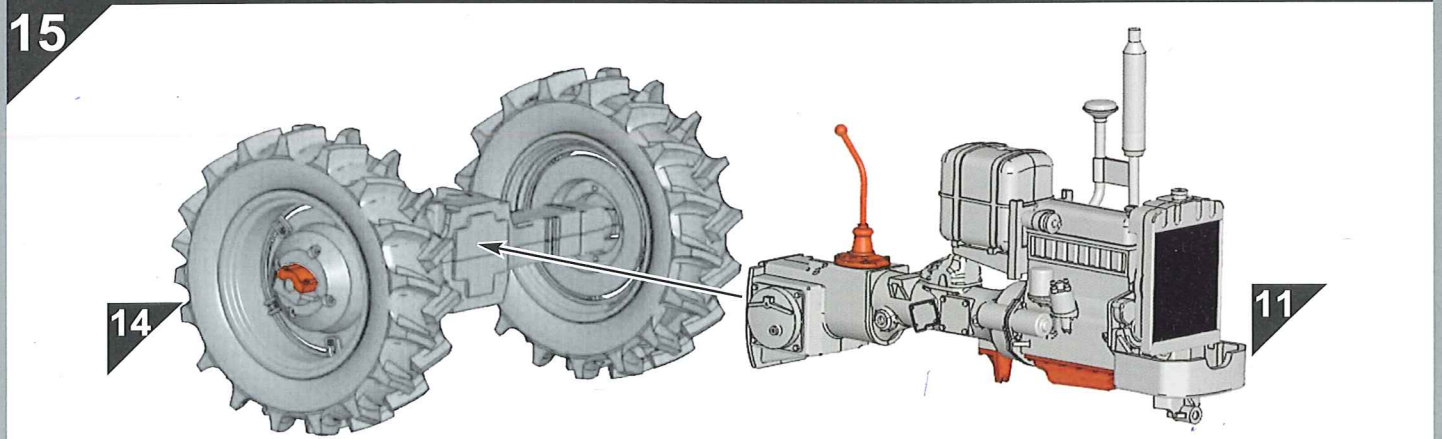
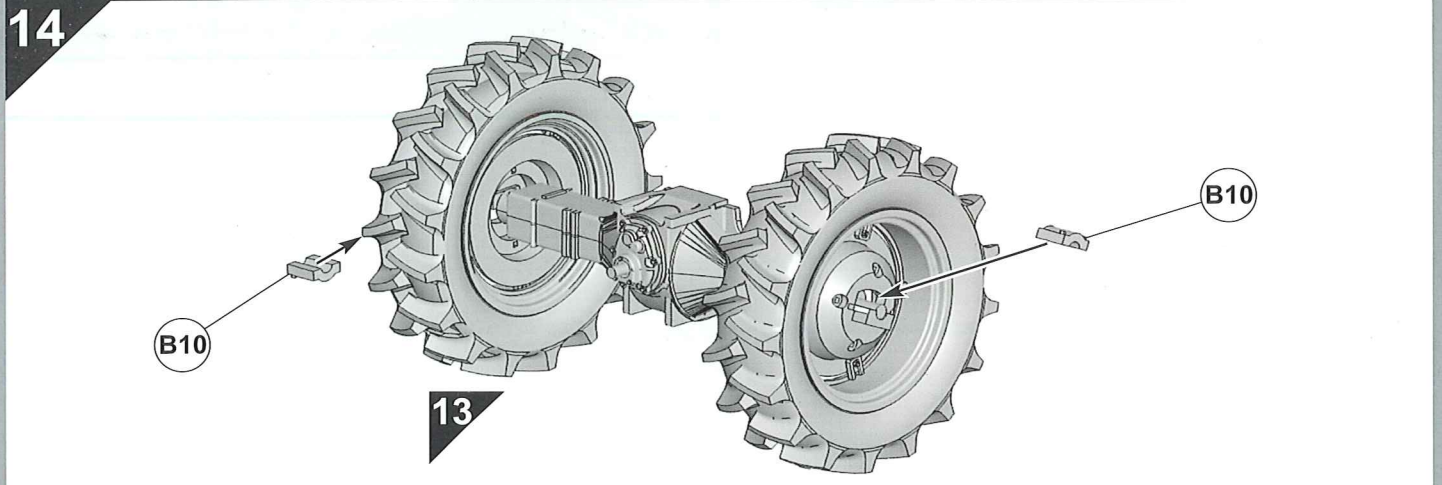
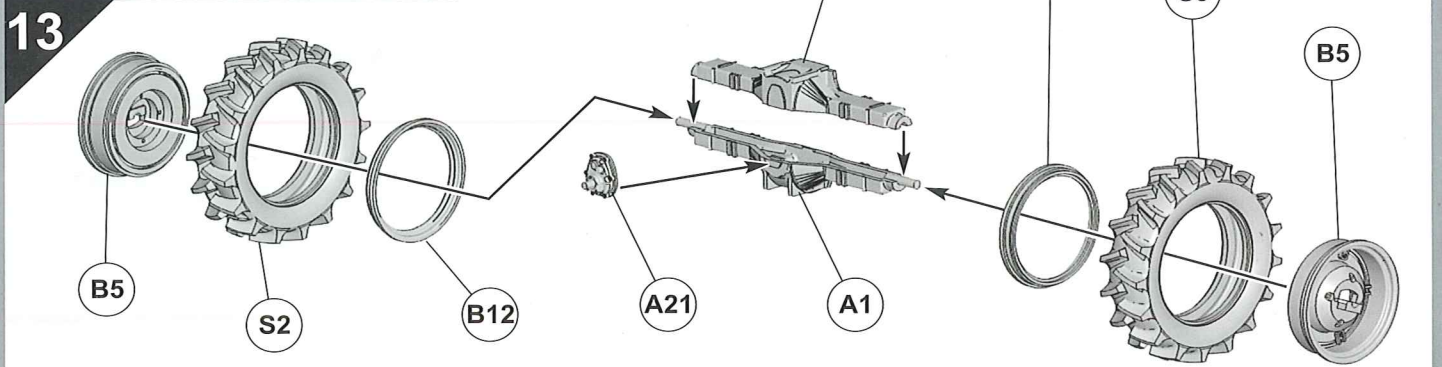
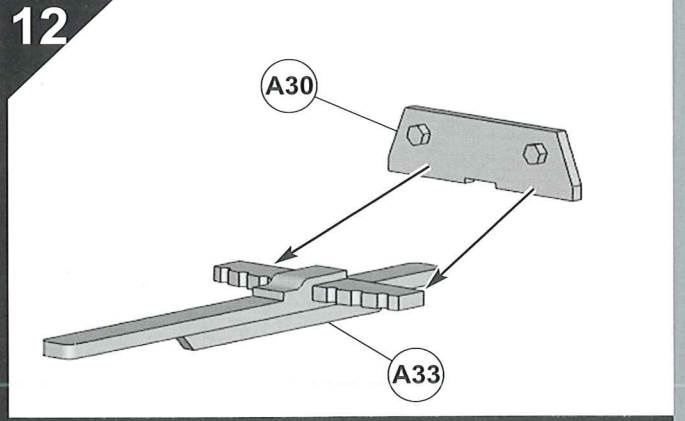
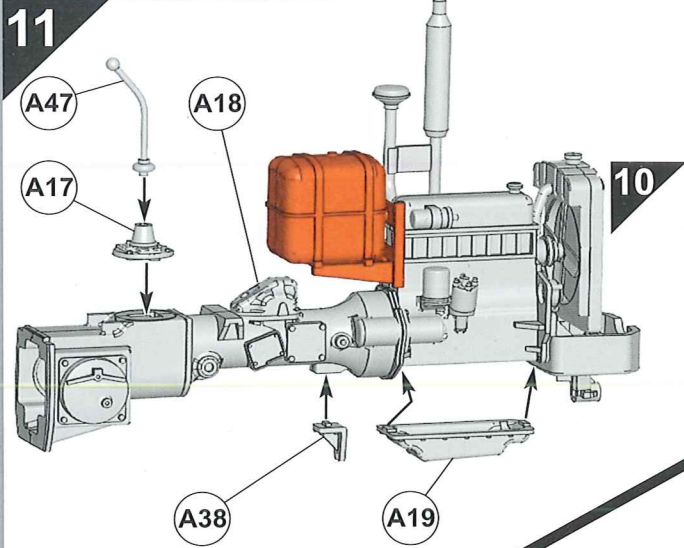


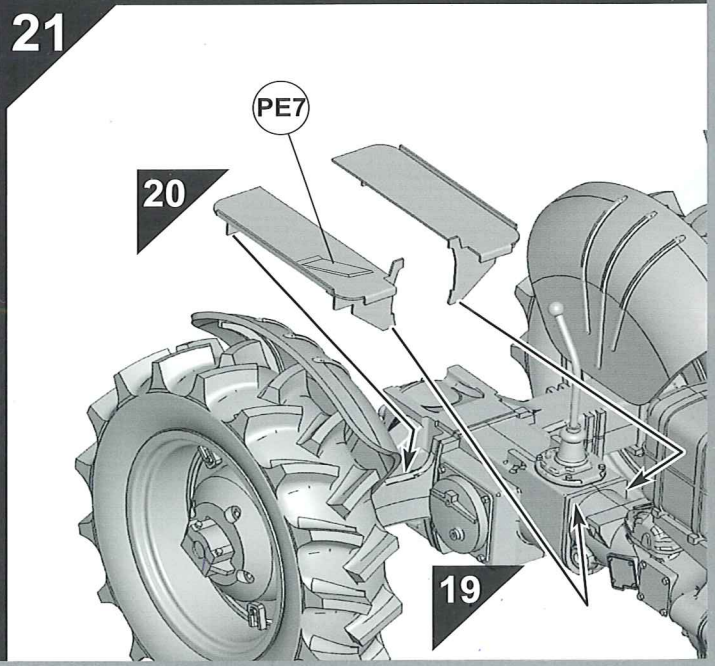
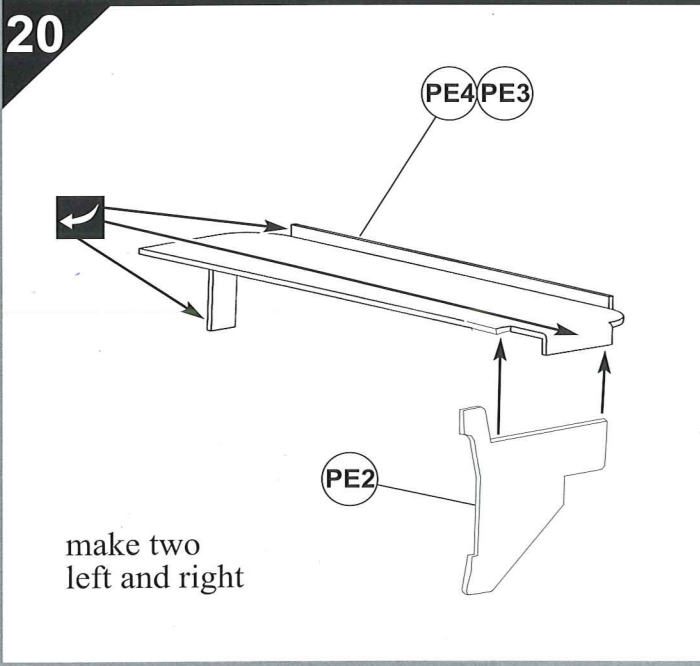
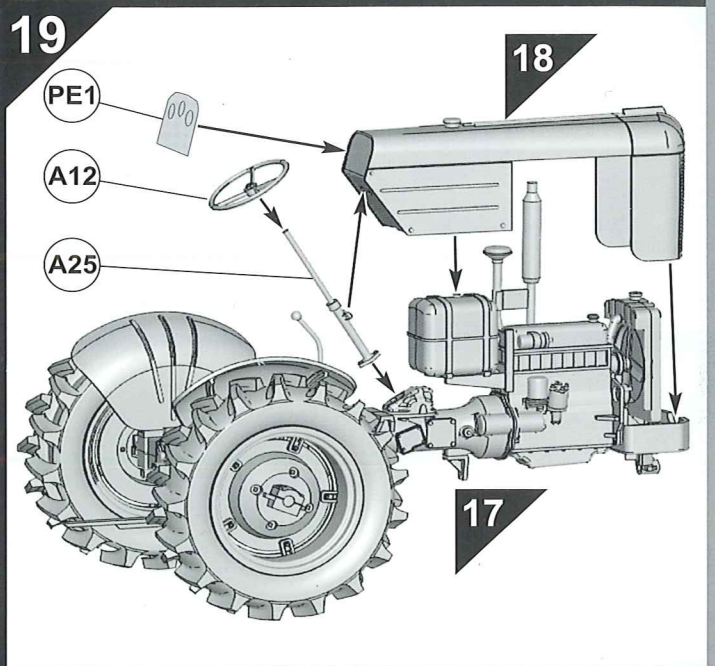
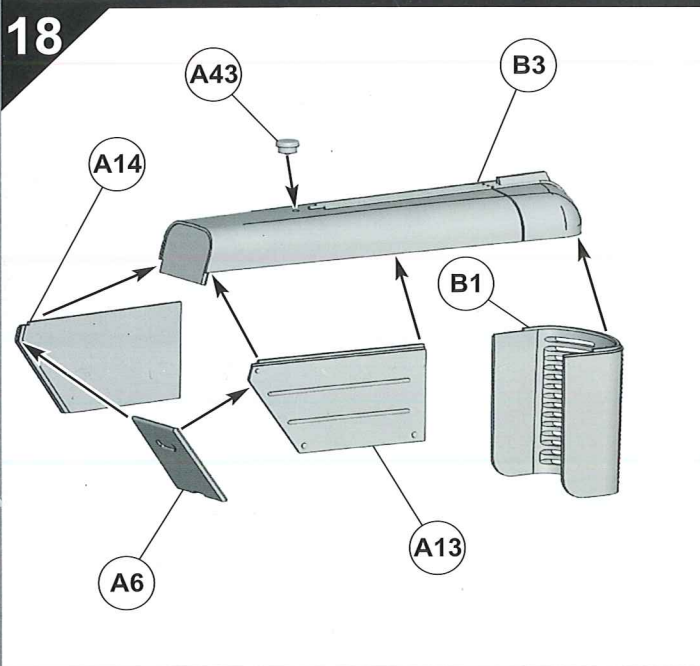
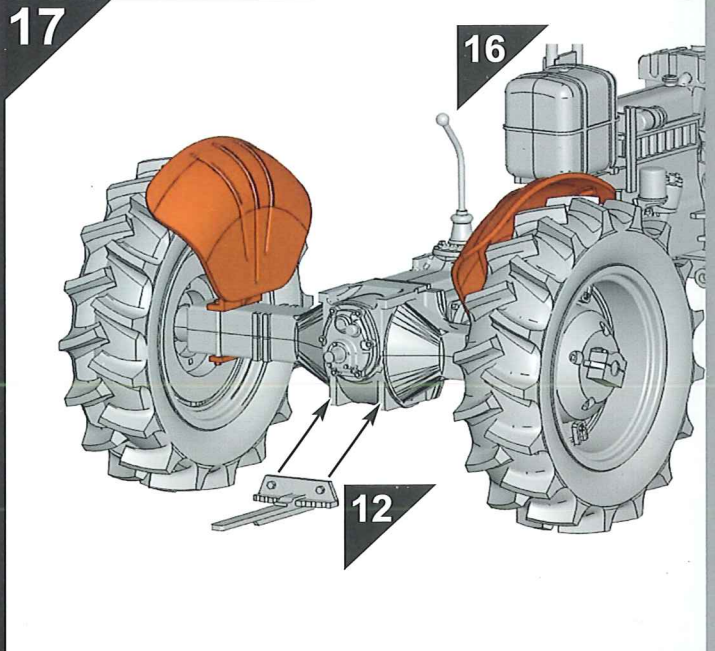
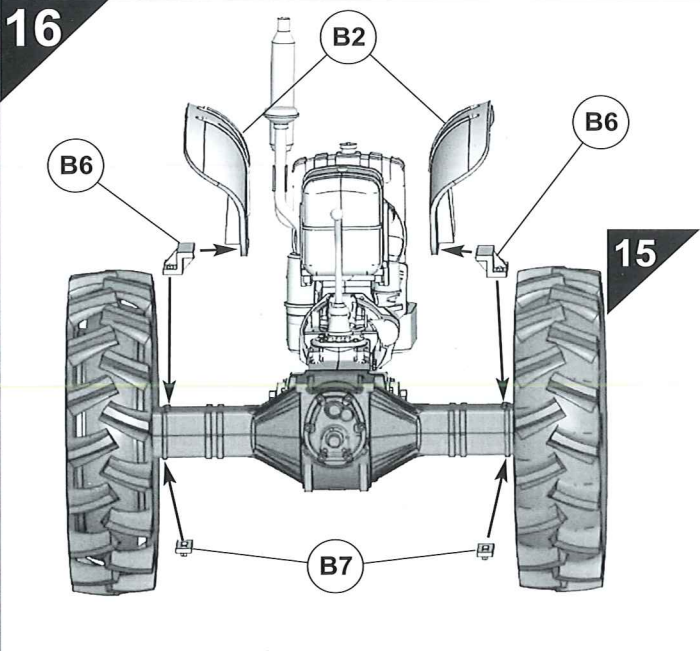
9



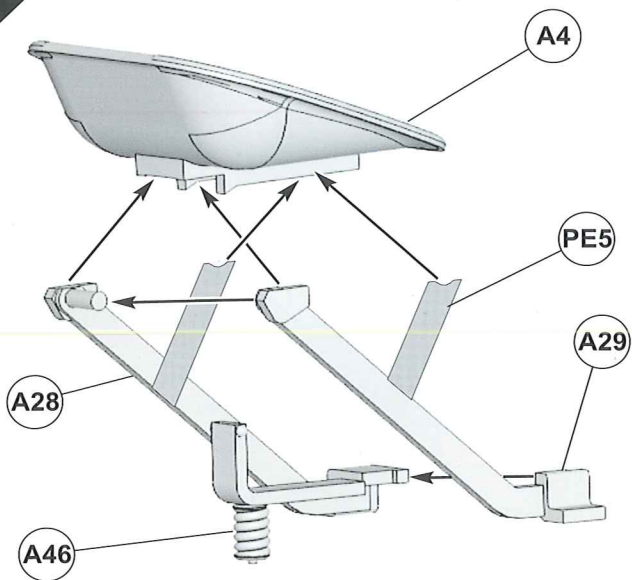
10



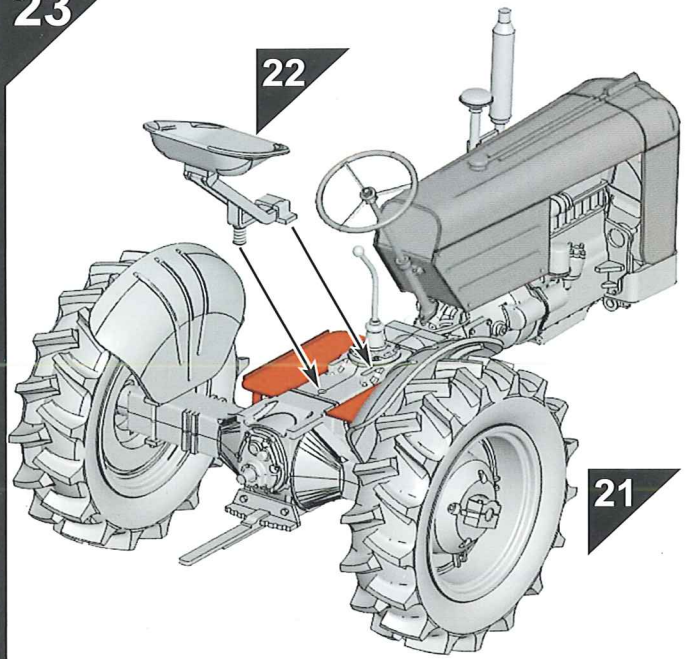




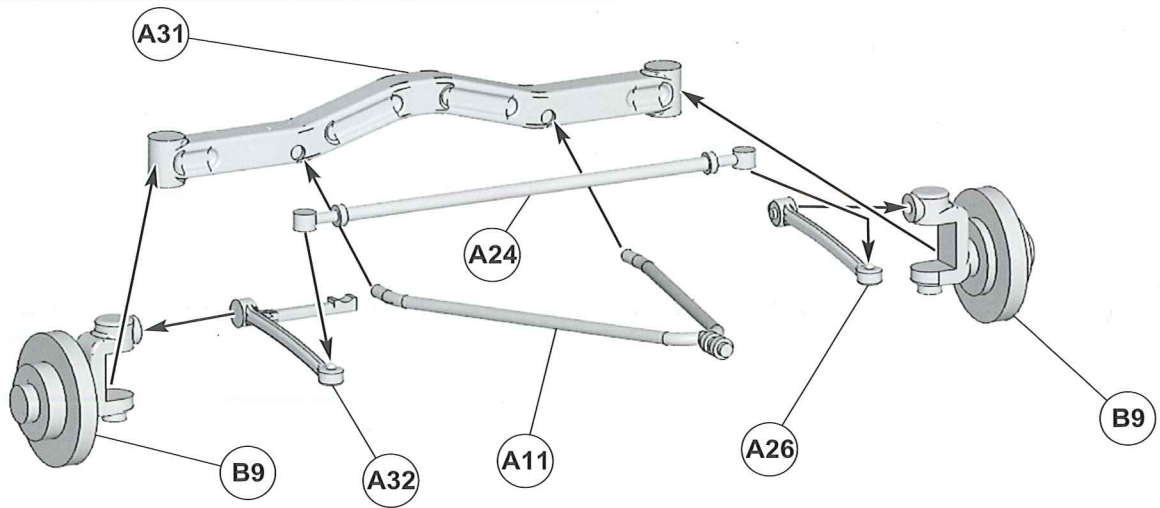
22



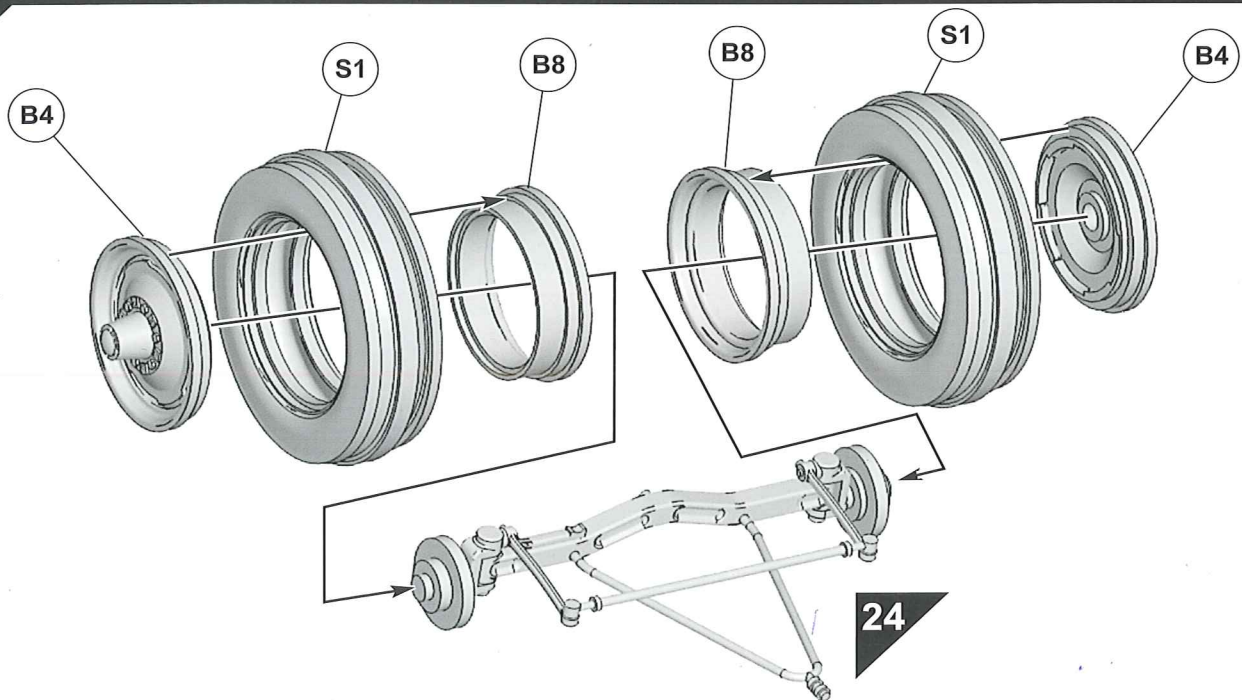
23

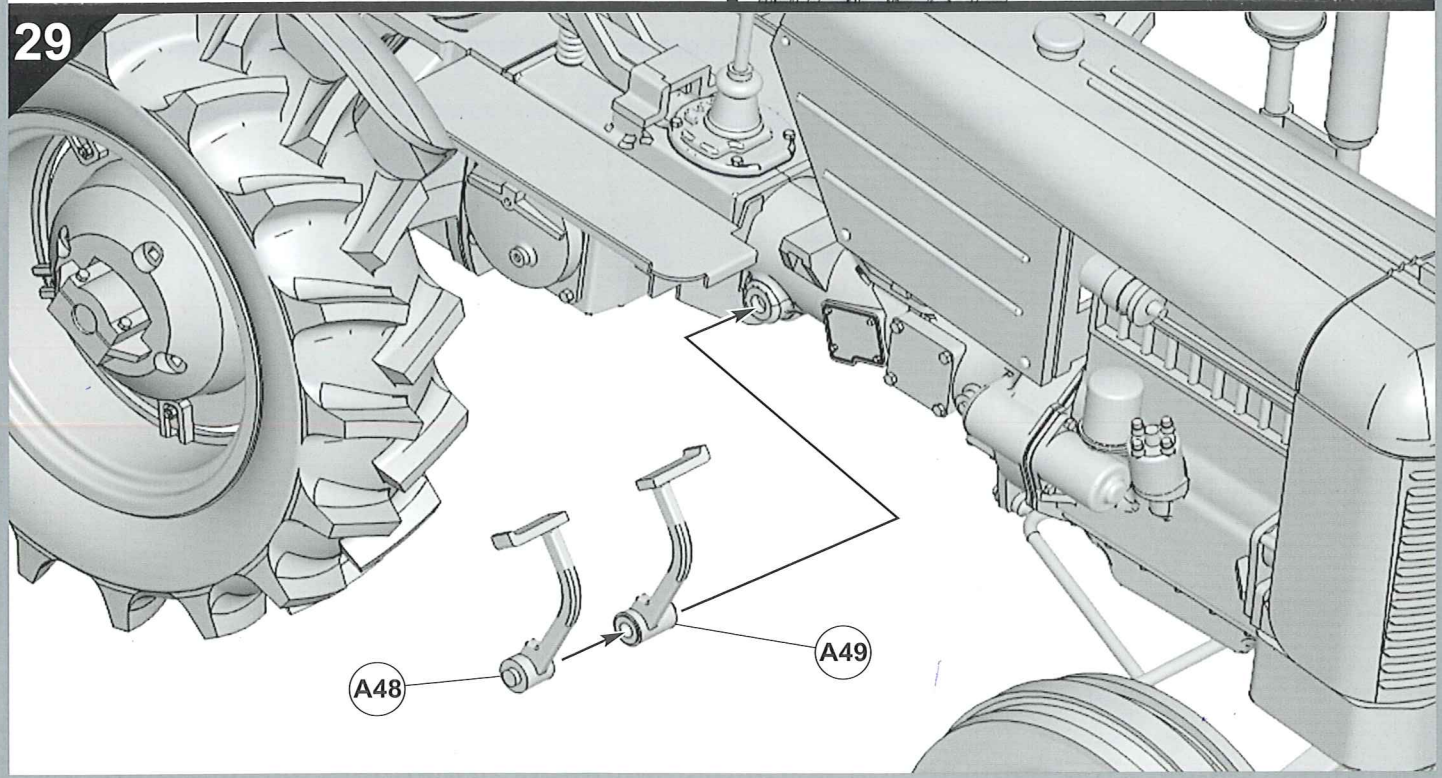
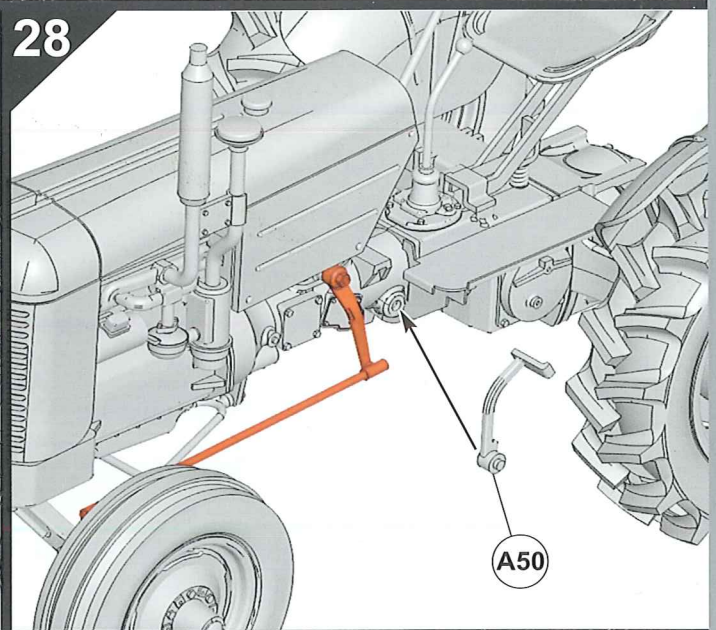
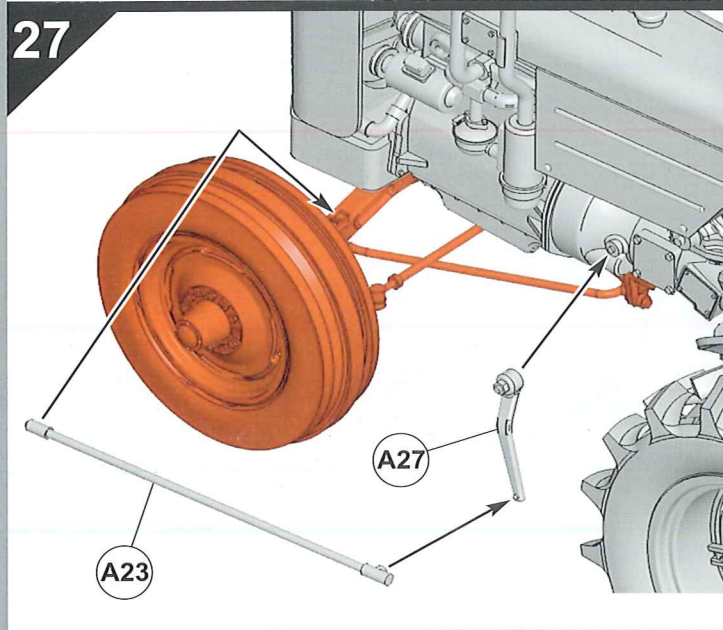
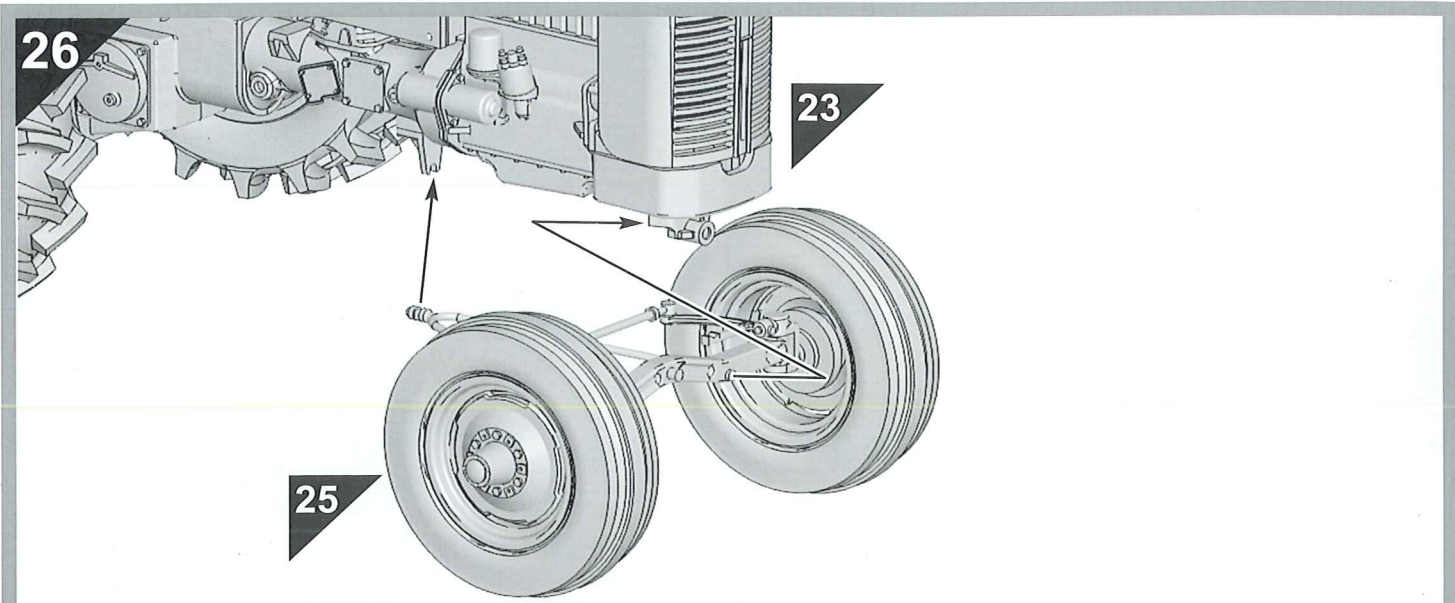


24

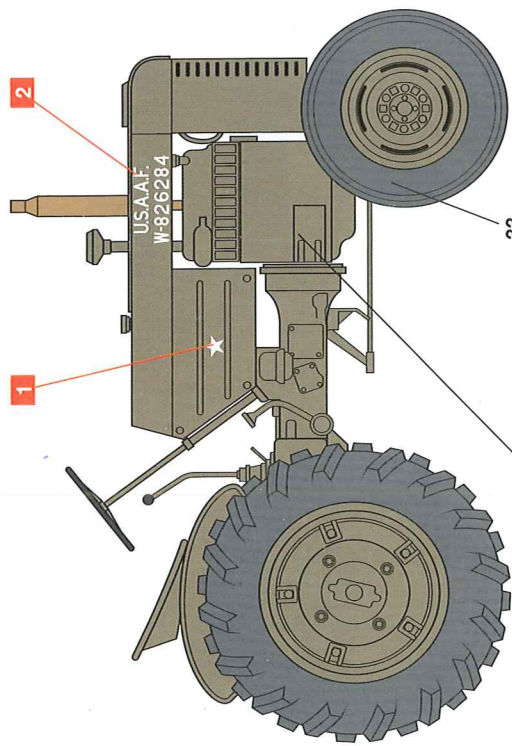


25





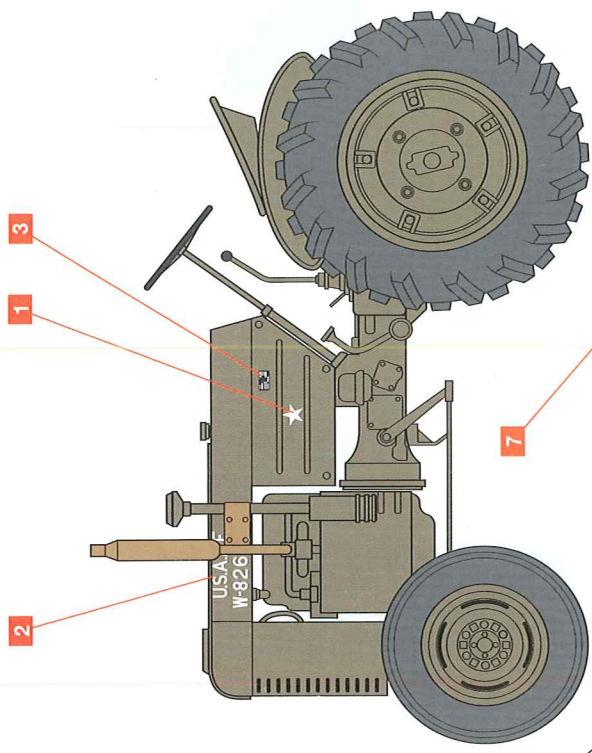
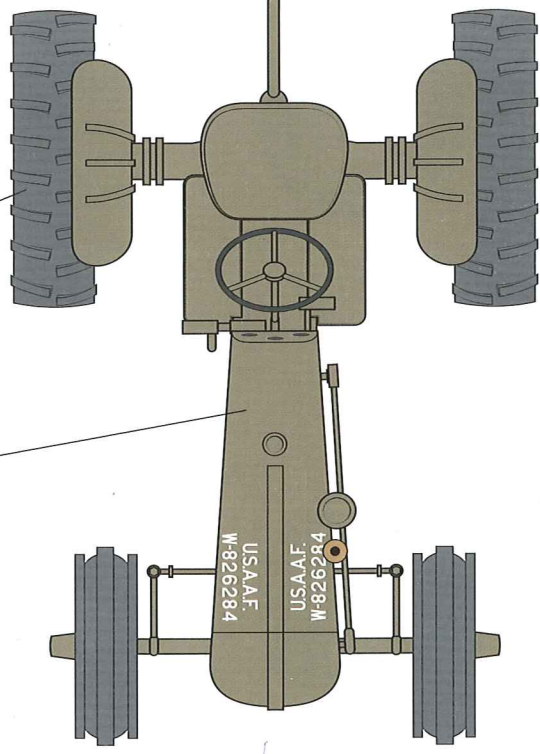
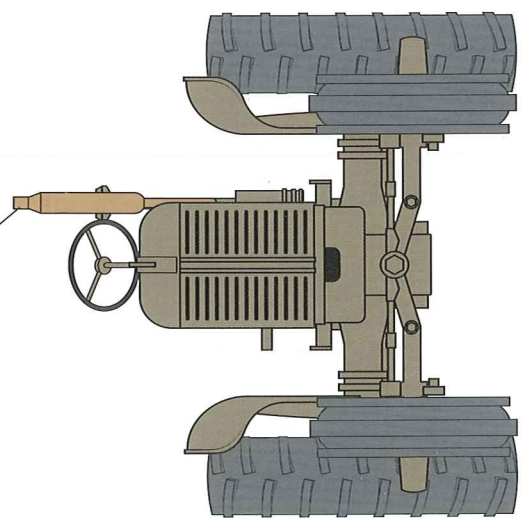
USA AF, England 1944.



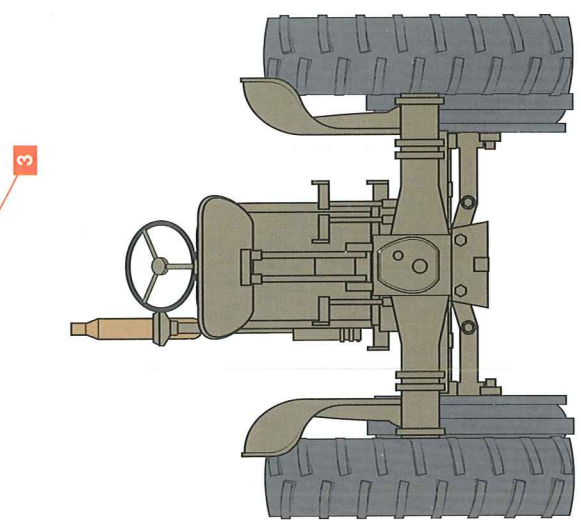
113

33

155



7



1

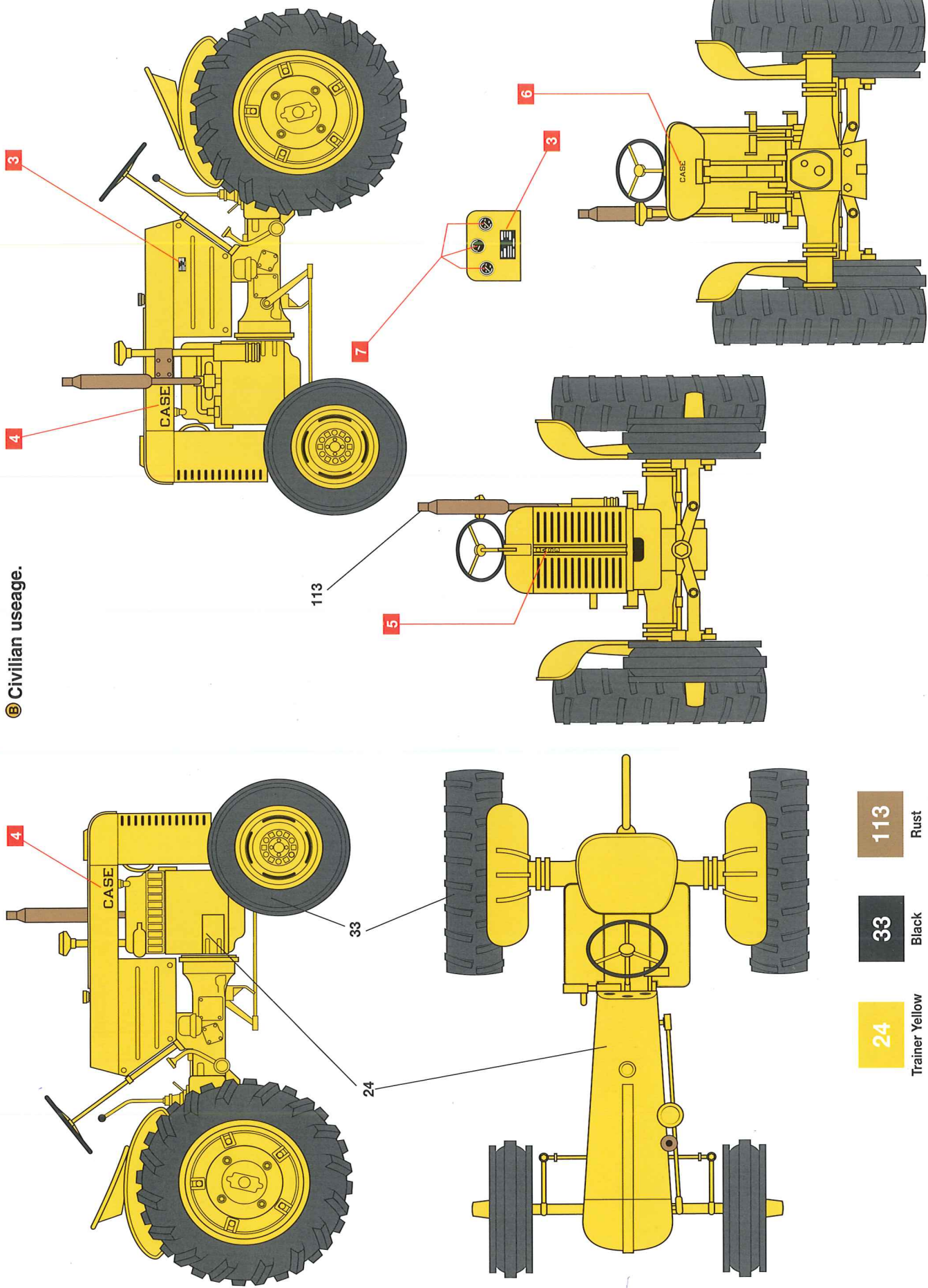
2

3

3

- 33** Black
- 113** Rust
- 155** Olive Drab

ⓑ Civilian useage.



Colour options for civilian versions could also include overall red or light blue.