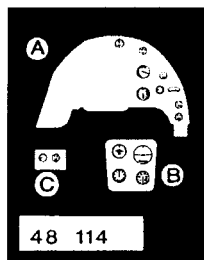
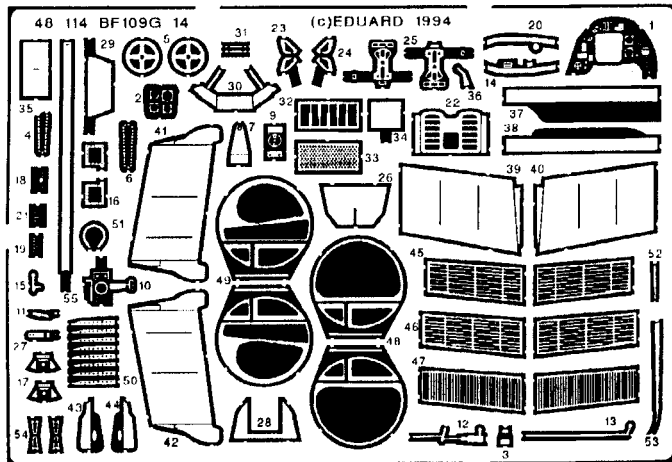







Messerschmitt Bf-109G-14

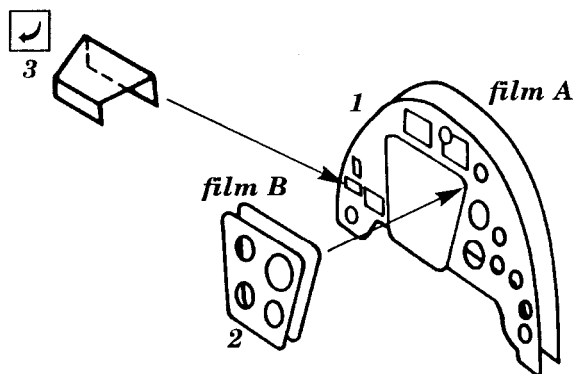
1/48th scale detail set for FUJIMI kit

48 114

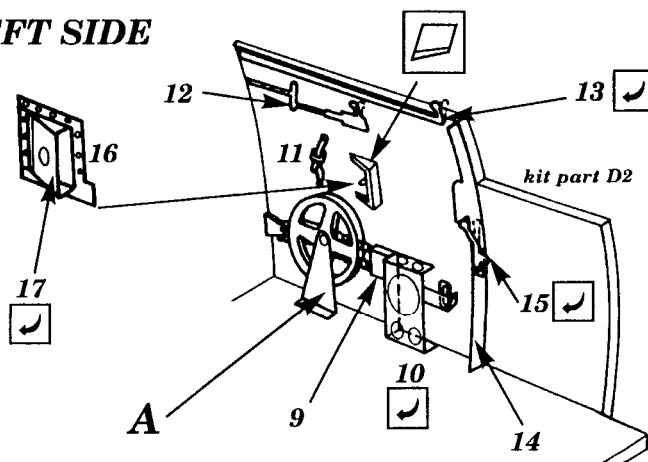


-  OPPOSITE SIDE
-  REMOVE
-  BEND

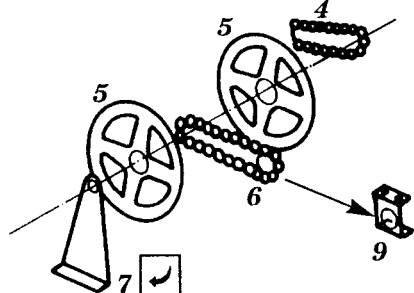
INSTRUMENT PANEL



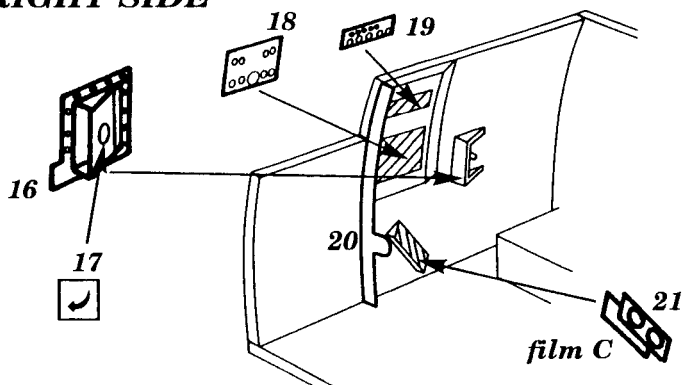
LEFT SIDE



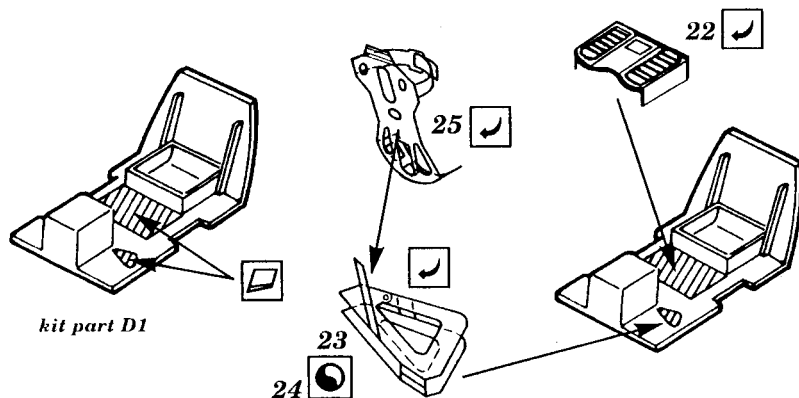
A FLAP CONTROL MECHANISM



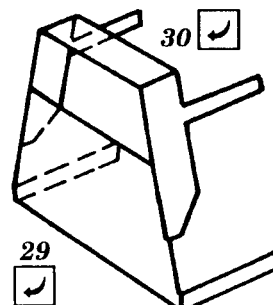
RIGHT SIDE



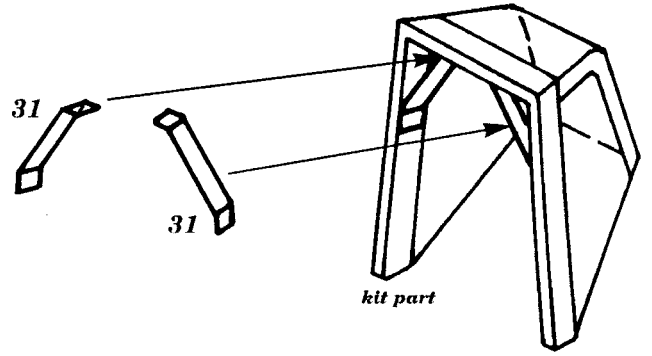
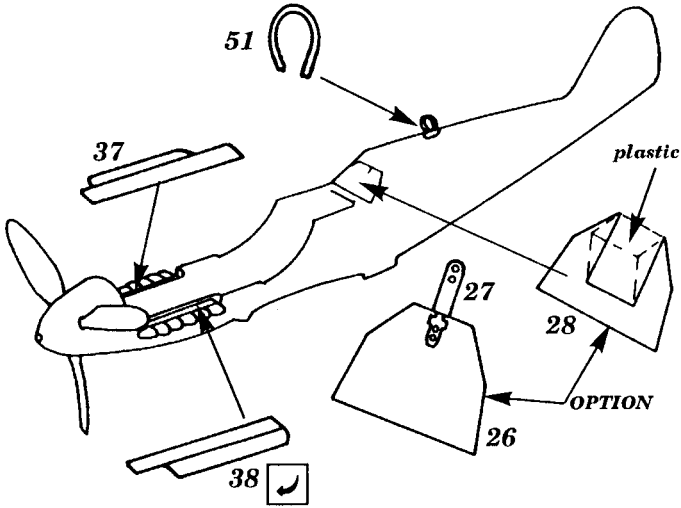
FLOOR, RUDDER PEDALS



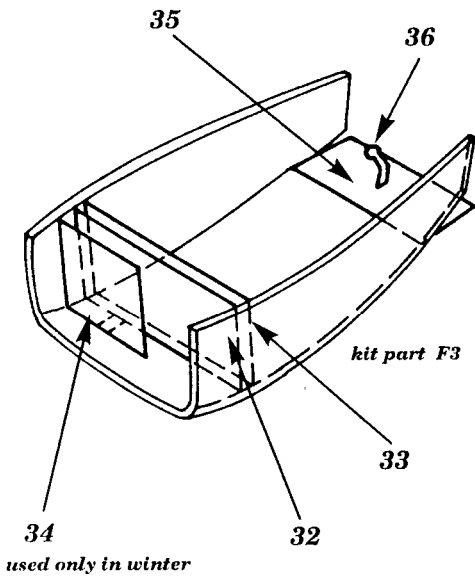
ARMOURED HEADREST



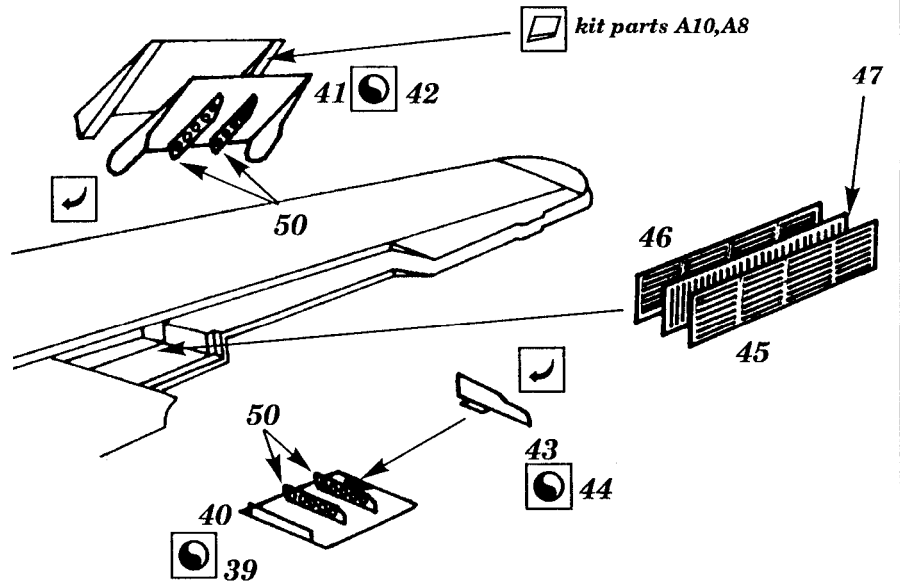
COCKPIT HOLDERS



OIL COOLER



WING RADIATORS



B DROP TANK BELLY

