

1:48 Scale

ITEM NO.:81754



Russian MiG-31B/BM Foxhound

ロシア MiG-31B/BM フォックスハウンド MiG-31B/BM “捕狐犬”

PLEASE READ BEFORE OPERATION!

- * Tools recommended as below: (Not included)
Adhesives; Paints; Side Cutters; Sharp Edged Pliers; Modeling Knife; Modeling File; Nippers; Drill; Scissors; Sand Paper; Soft Cloth; Cyanoacrylate Glue.
- * Make sure to read this instruction listed below before assembling.
- * The kit contains the small parts, they can be dangerous if swallowed by mistake, so keep them away from reach of children.
- * Cut the all parts off carefully and remove the waste parts into the garbage can.
- * More caution and care should be needed for cutting and handling the photo etched parts.
- * Make attention that some parts should be attached the decal when assembled.
- * During assembling, please tear up and throw away the plastic bags, or may cause the dangerous if wearing over head by children's mistake.
- * When using the adhesives and paints, please do not use them in the closed room or near the fire, also must be very careful to protect your eyes, face and clothes.
- * Adult supervised when assembled by children under 14 years old.

装配前请仔细阅读:

- * 推荐使用的模型工具(请自备):
专用模型胶水, 专用模型油漆, 水口剪刀, 长咀钳, 刀片, 锉刀, 镊子钳, 钻, 剪刀, 软布, 砂纸, 瞬间快干胶等。
- * 用水口剪刀或刀片小心切下所有塑胶零件和蚀刻片零件, 不要遗失小零件。
- * 切取蚀刻片时应特别注意防止利边划伤手指。
- * 用模型锉刀小心锉平所有零件表面的注射浇口。
- * 用适量的强力快干胶水粘合蚀刻片零件和金属轴, 切忌过量, 否则可能导致可动零件被粘住。
- * 注意某些零件表面需在装配时同步贴上水贴纸。
- * 制作时应远离幼儿并将包装袋及时收妥, 谨防小孩玩耍而引起意外。



using ca super glue
使用强力胶



weight
配重



make hole
钻孔



cut / remove
切除



option
选择



no cement
不涂胶水



decal
贴纸



bend
弯曲



repair
填补



install it first
先装

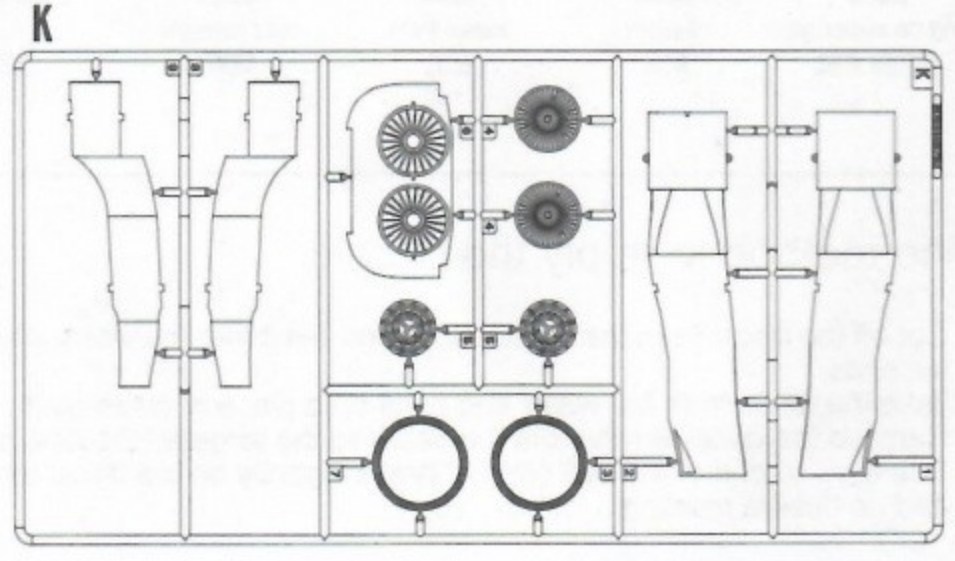
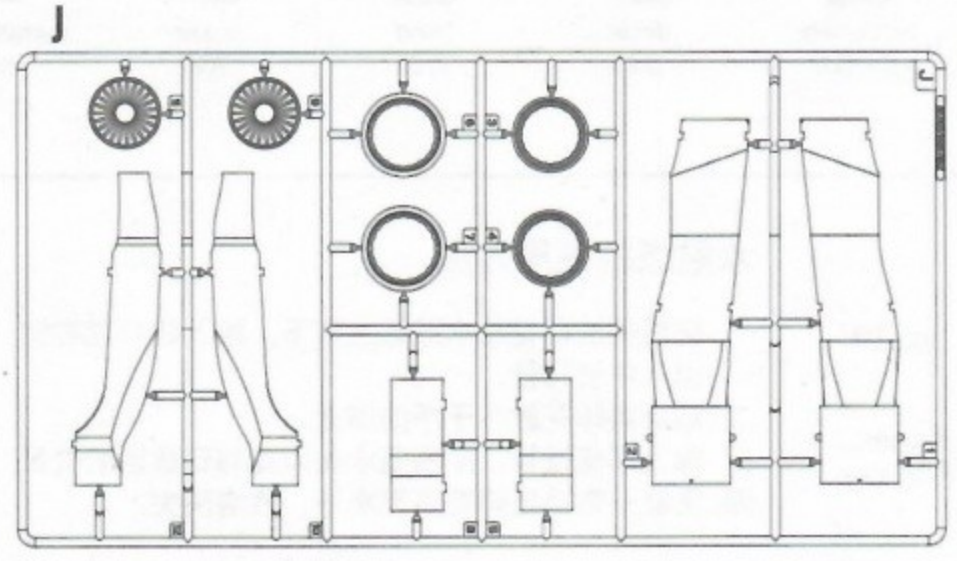
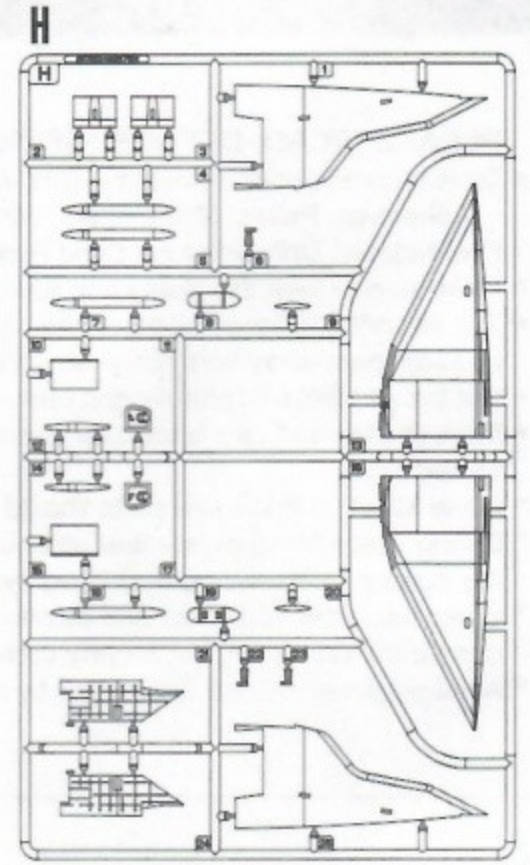
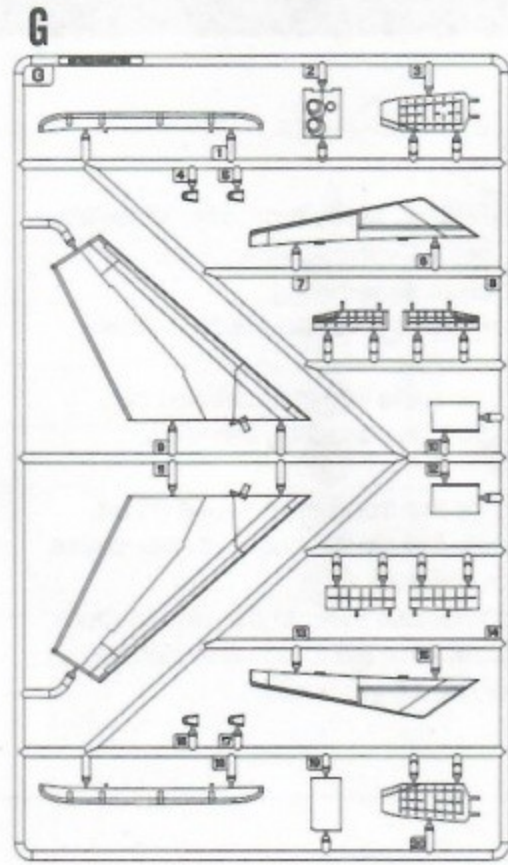
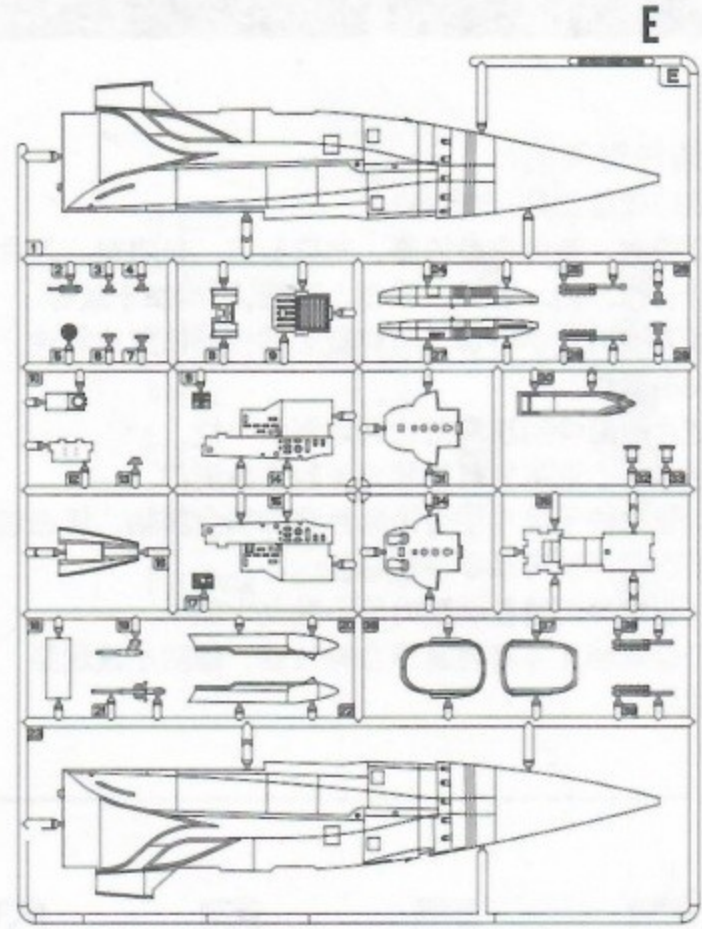
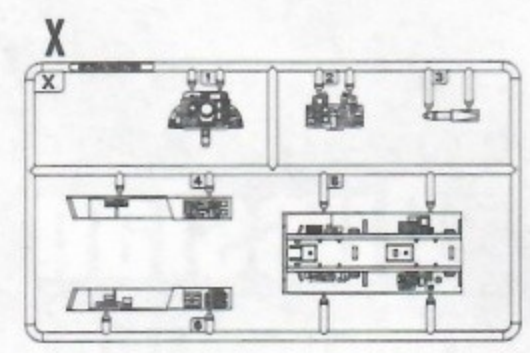
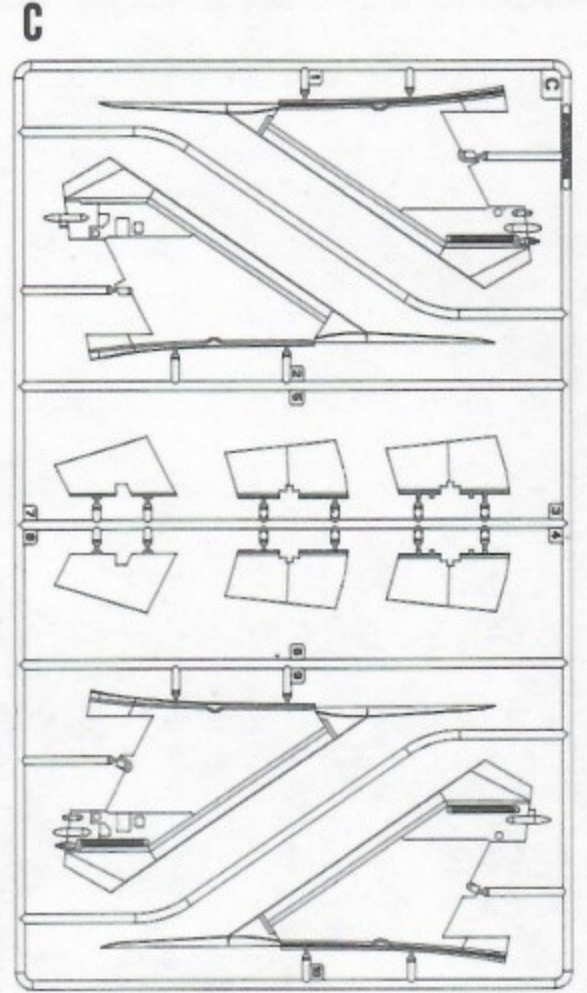
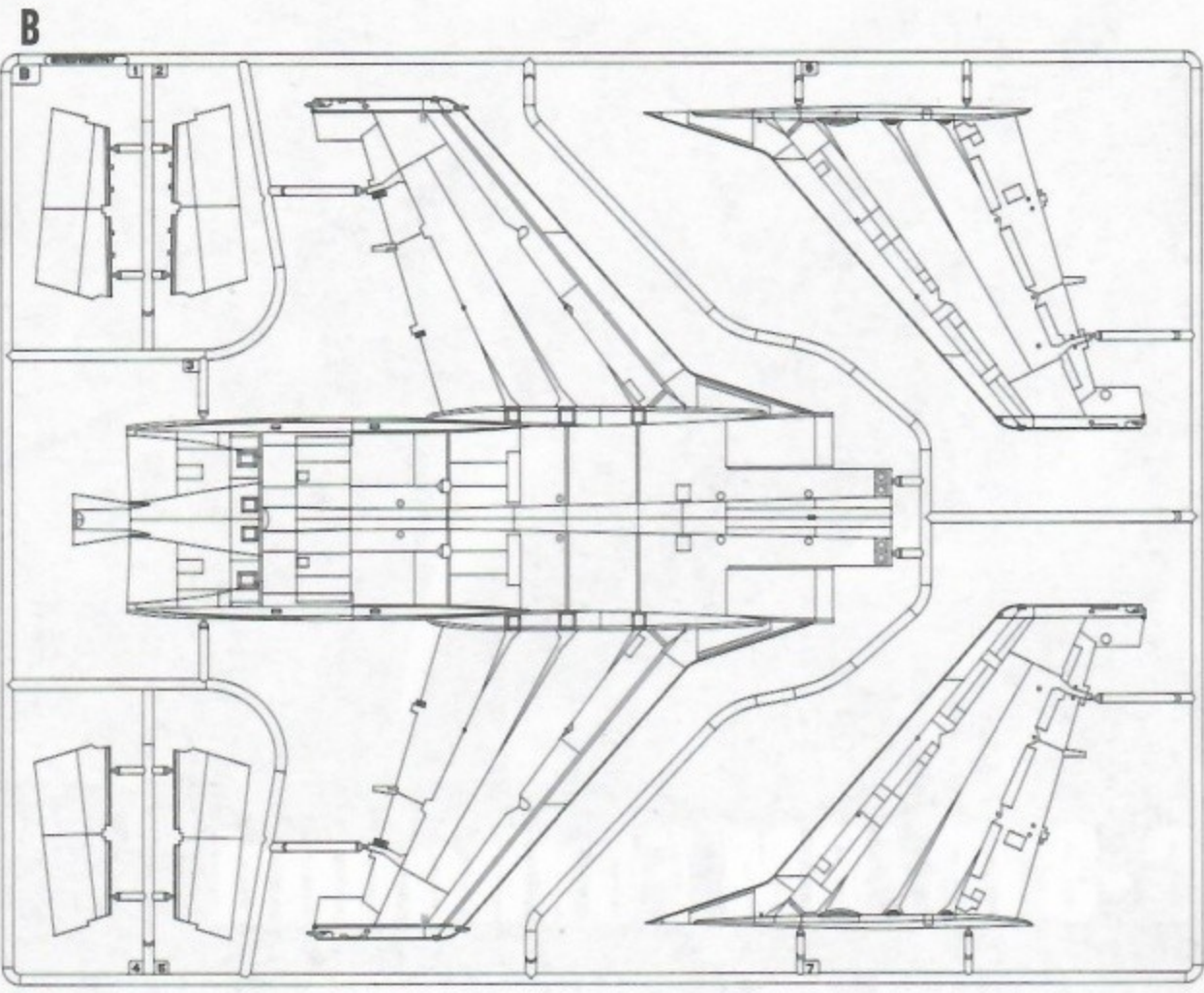
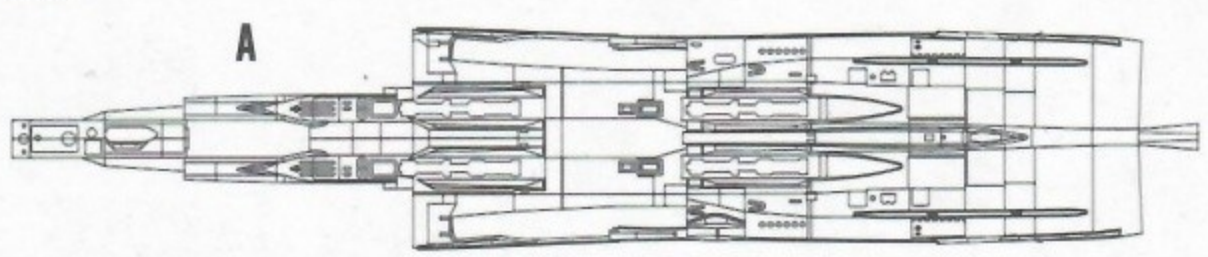
The method to apply the decals

1. Cut off the decal from the decal paper and put it into the warm water 40°C for 10 seconds.
2. Take the decal from the water and put it on a piece of clean cloth.
3. Remove the decal slowly from the paper to the targeted location by a wet finger.
4. Use a piece of dry and soft cloth to press it gently on the decal until it getting dry and no bubble existing.

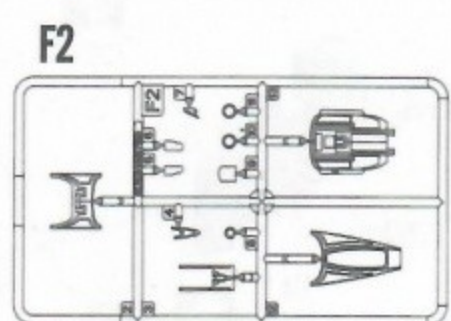
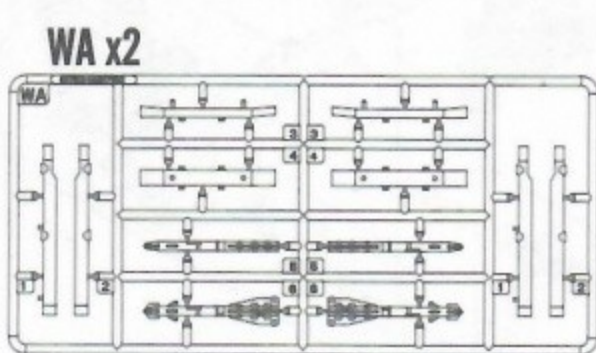
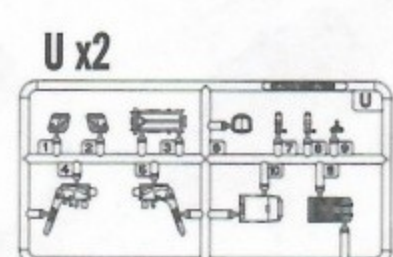
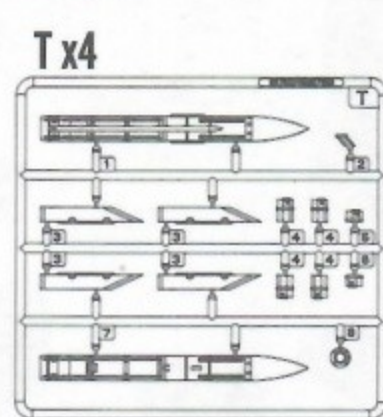
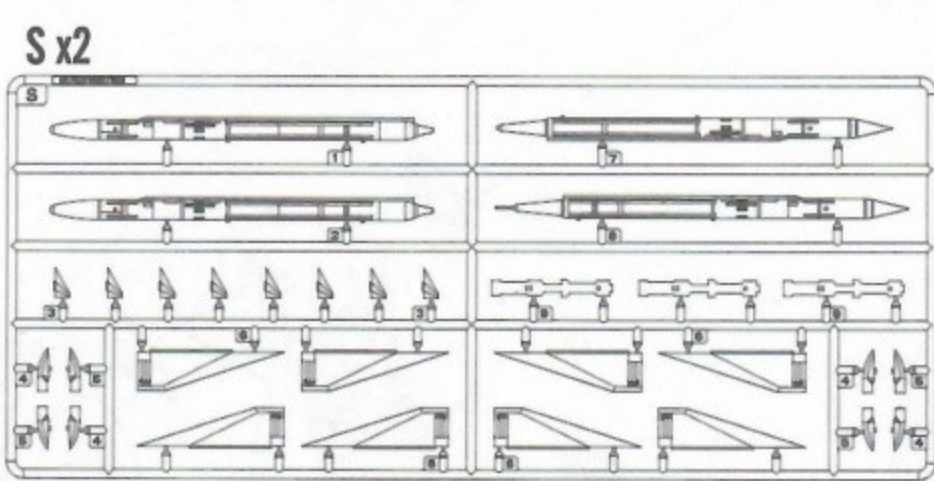
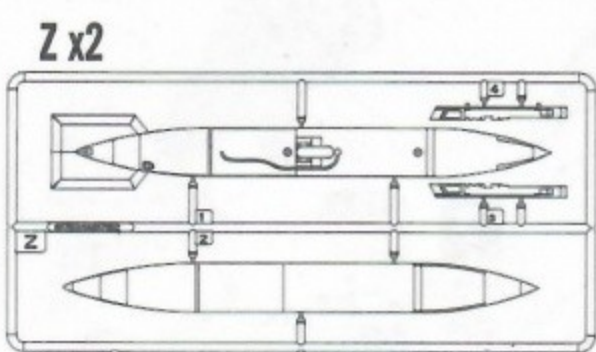
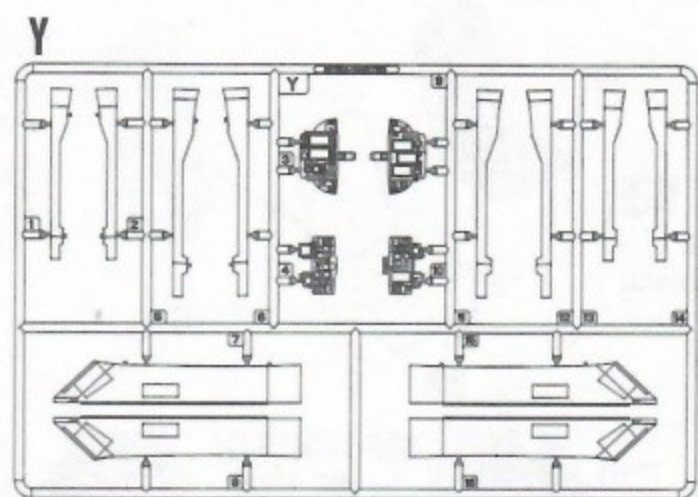
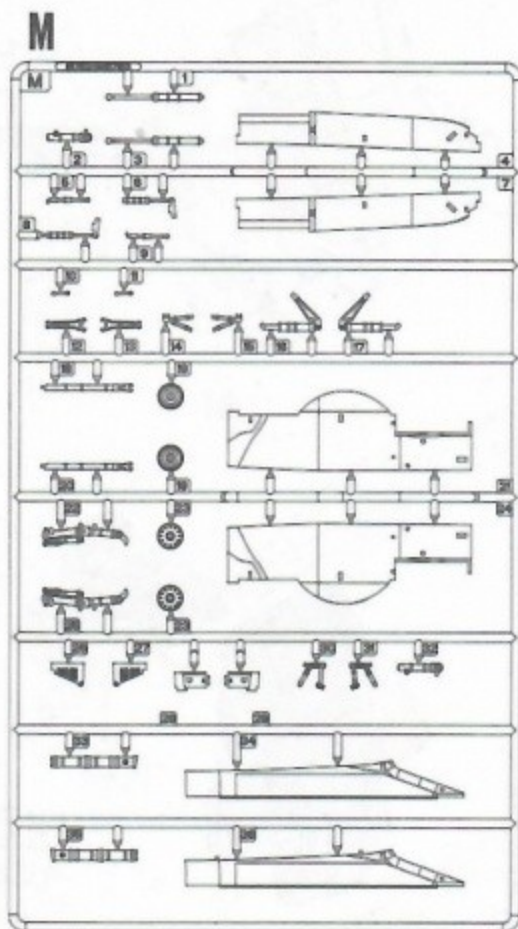
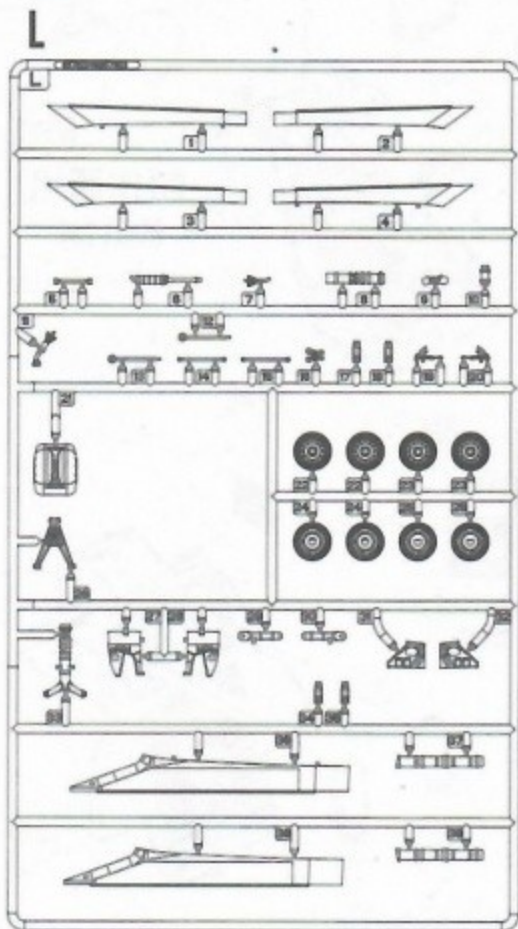
水贴纸的使用方法:

- 一. 把相关的印花从水贴上剪下, 放入40°C左右的温水中浸10秒。
- 二. 然后将印花放在干净的布上。
- 三. 拿上印花纸板, 手指蘸水将印花移到适当的位置。
- 四. 用软干布轻压印花直至水干, 气泡消失。

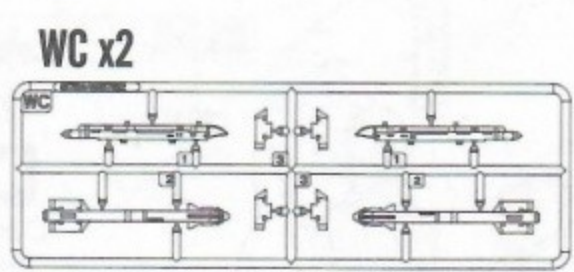
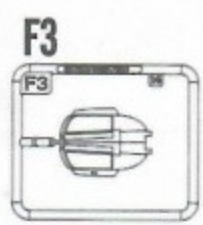
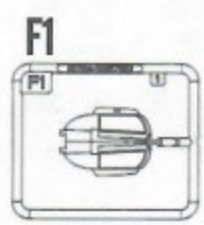
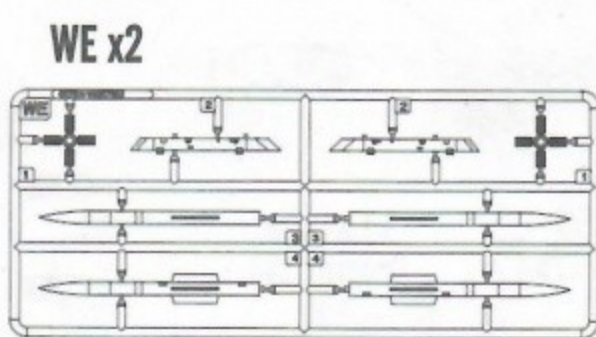
部品图
Parts



部品图 Parts



- 《金属部件》
Metal parts
- #3
 - #4
 - #2
 - #1
 - #5
 - #6
 - #7



《前轮胎》 x2
Nose tyre



《主轮胎》 x4
Main tyre



《水贴》 A
Decal A



《水贴》 B
Decal B

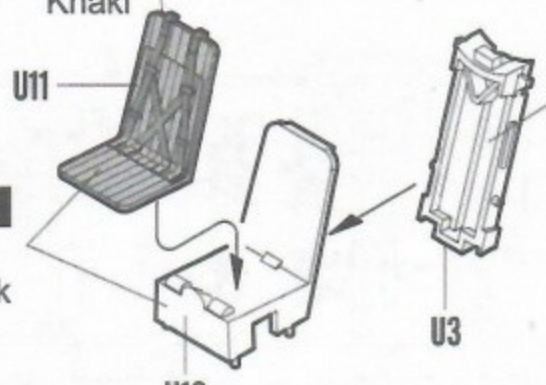


不用的部件: E5 G2 L34 L35 L36 L38 M10 M11 M22
Unused parts M25 M34 M36 PEA1 PEA13

1 STEP

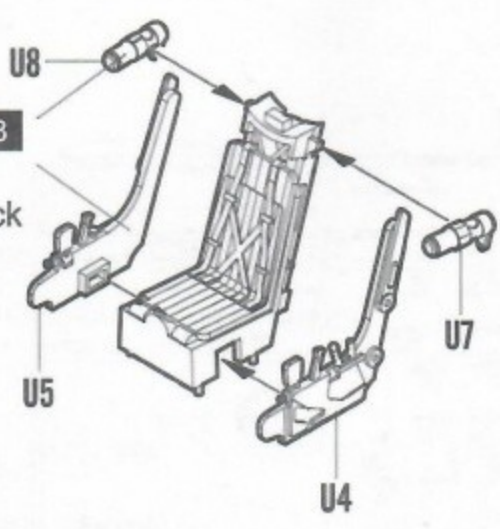
《座舱》 Cockpit

H 81 55 卡其色 Khaki

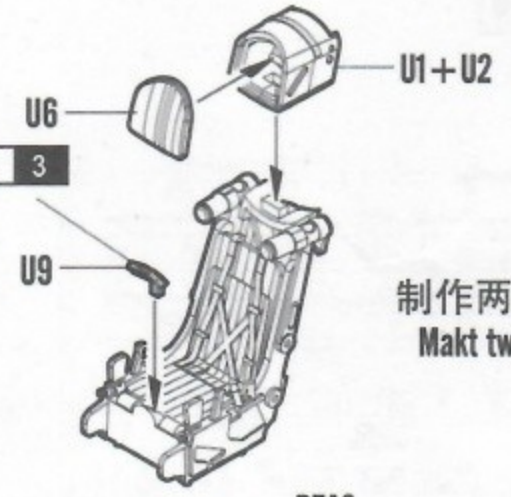


H 12 33 消光黑 Flat black

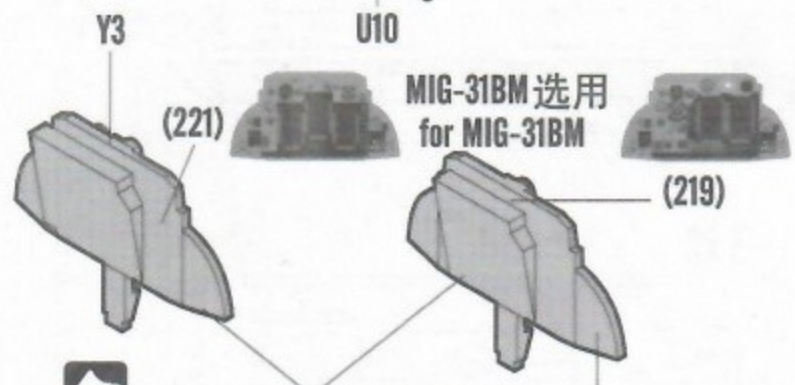
H 12 33 消光黑 Flat black



H 3 3 红色 Red



制作两组 Makt two



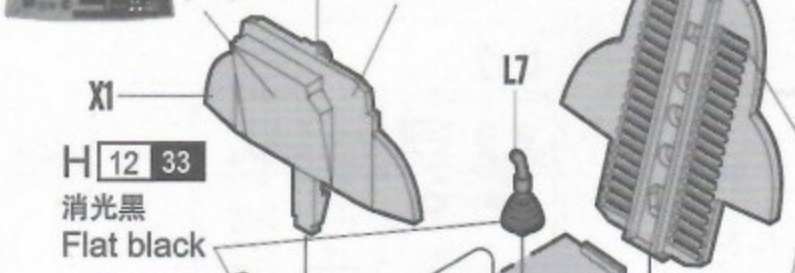
MIG-31BM 选用 for MIG-31BM

Decal 贴纸

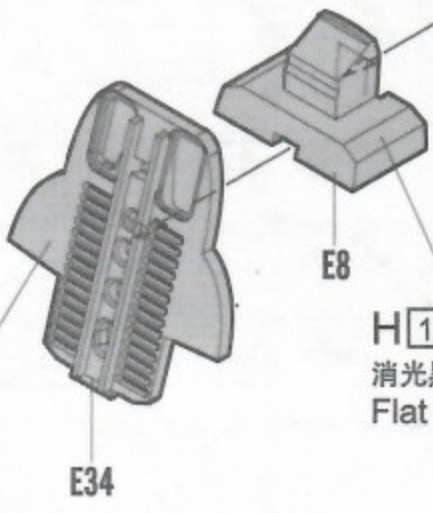


Option 选择

H 6 6 绿色 Green 15% + H 74 85% 浅灰蓝 Light Gray Blue

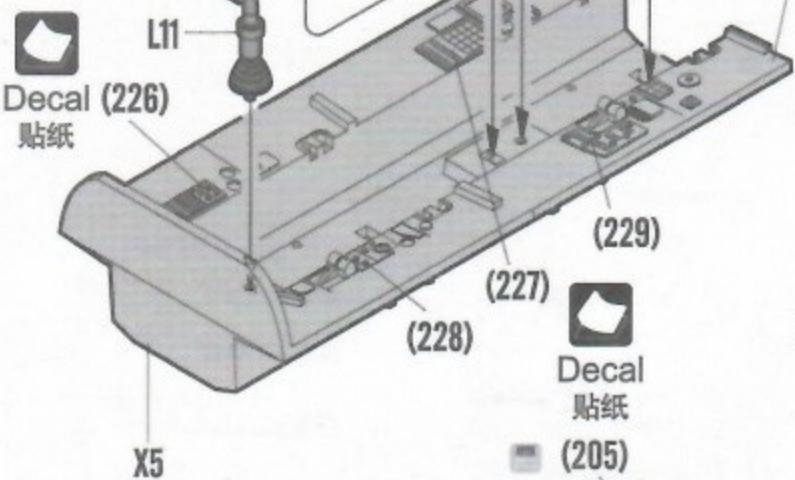
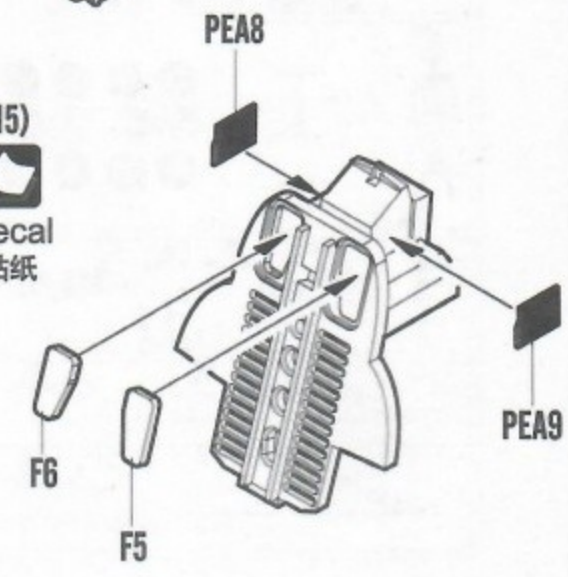


H 6 6 绿色 Green 15% + H 74 85% 浅灰蓝 Light Gray Blue

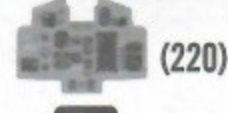


H 12 33 消光黑 Flat black

Decal 贴纸

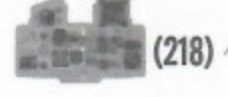


Decal (226) 贴纸

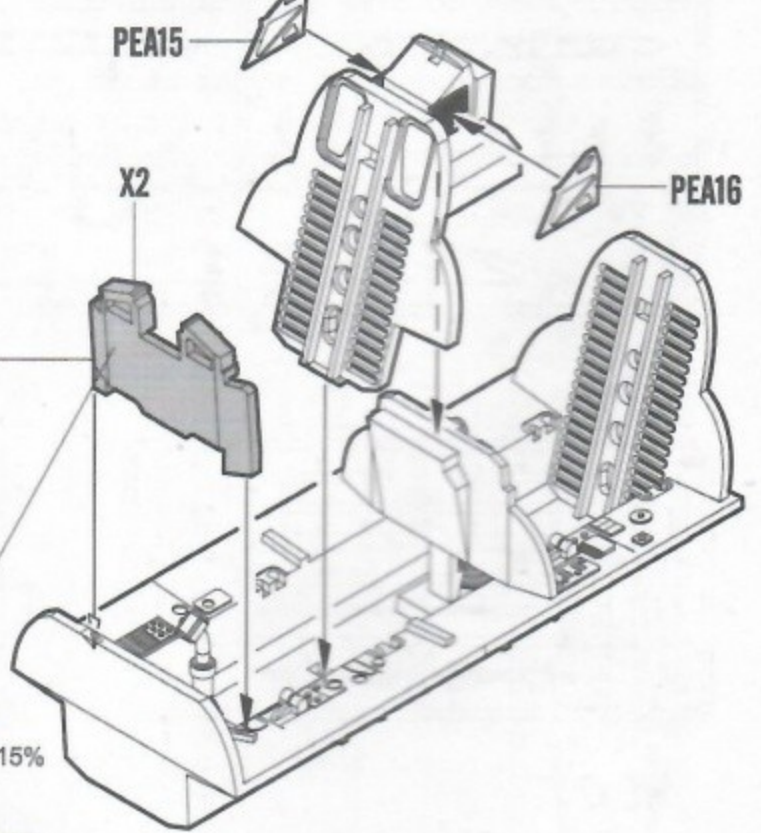


Decal 贴纸

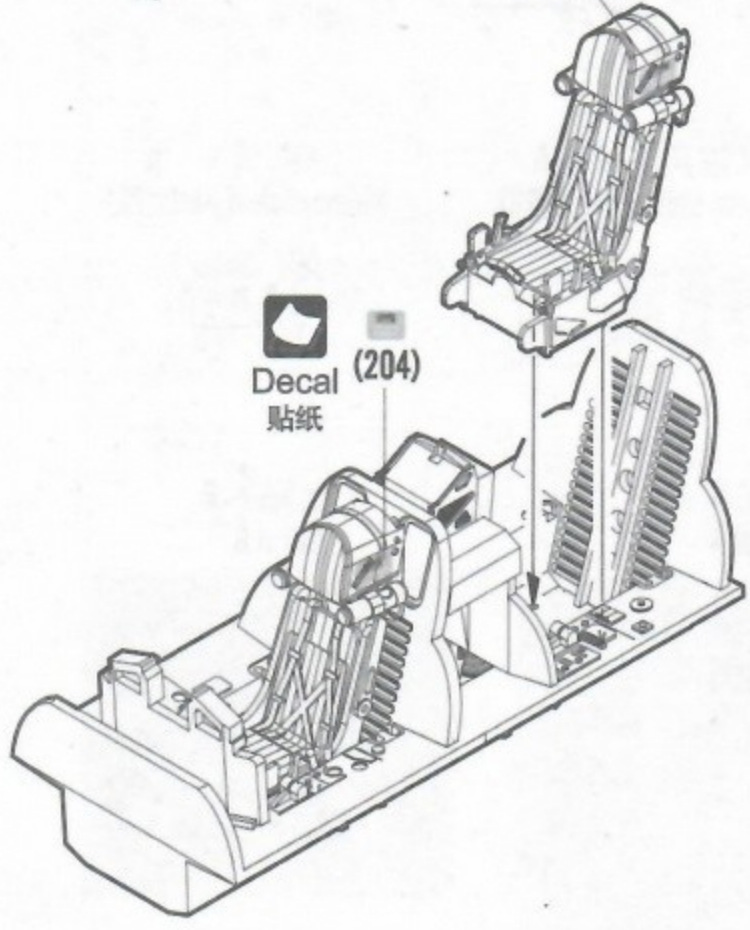
MIG-31BM 选用 for MIG-31BM



Option 选择



Decal 贴纸 (216) H 6 6 绿色 Green 15% + H 74 85% 浅灰蓝 Light Gray Blue



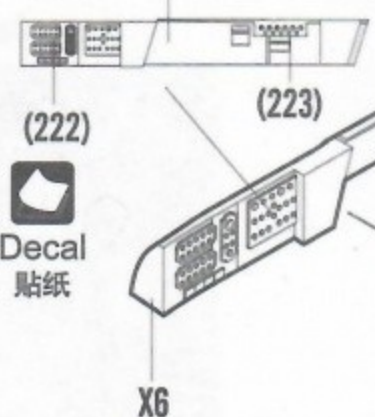
Decal 贴纸 (204)

H 6 6 绿色 Green 15% + H 74 85% 浅灰蓝 Light Gray Blue

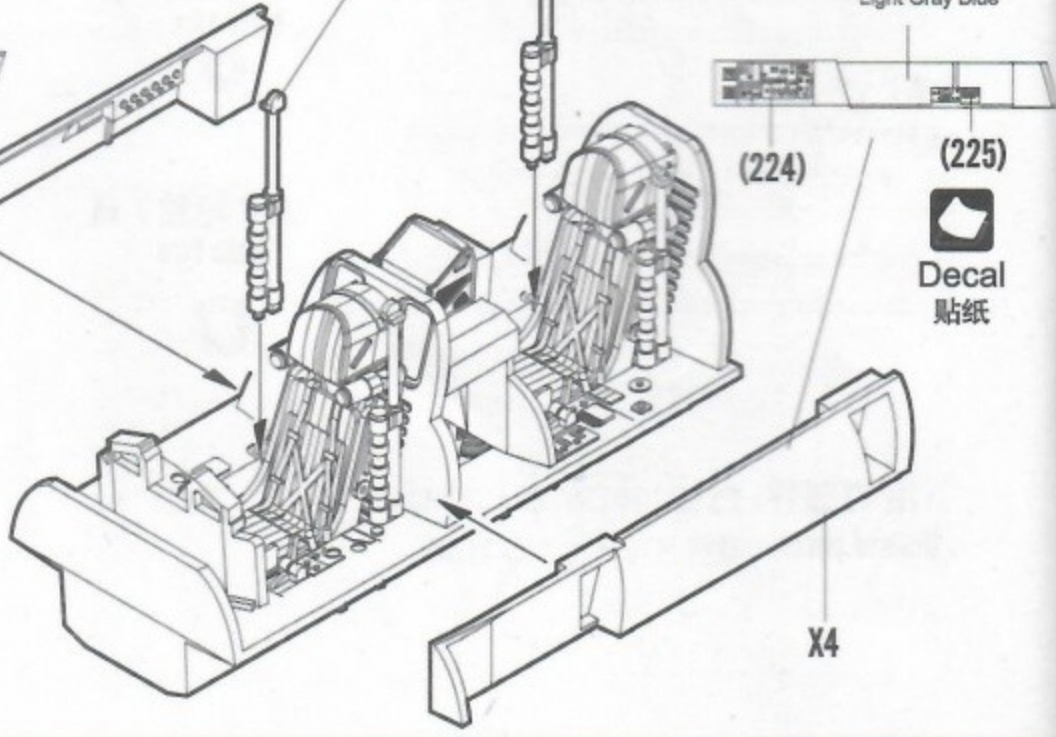
对侧 E25 Opposite E25 E28

对侧 E38 Opposite E38 E39

H 6 6 绿色 Green 15% + H 74 85% 浅灰蓝 Light Gray Blue



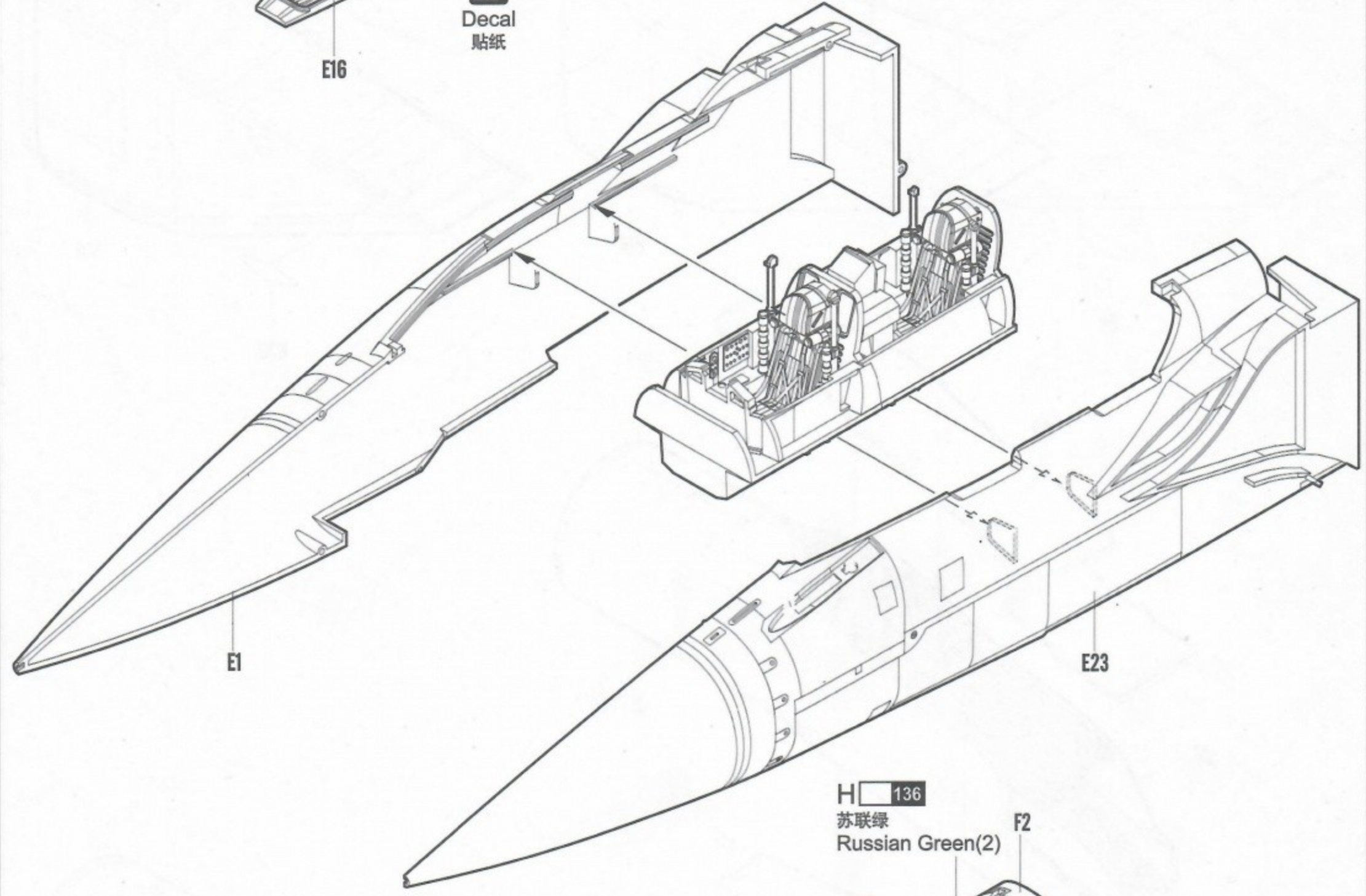
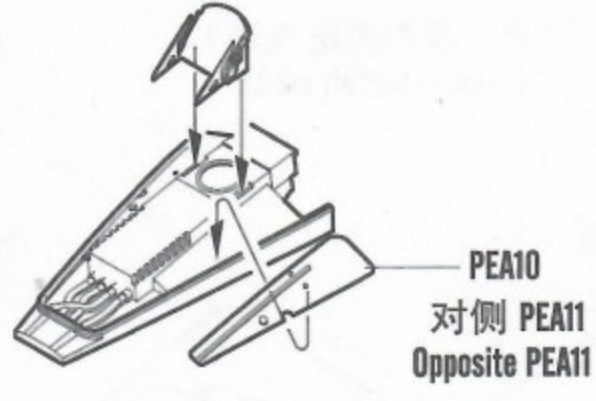
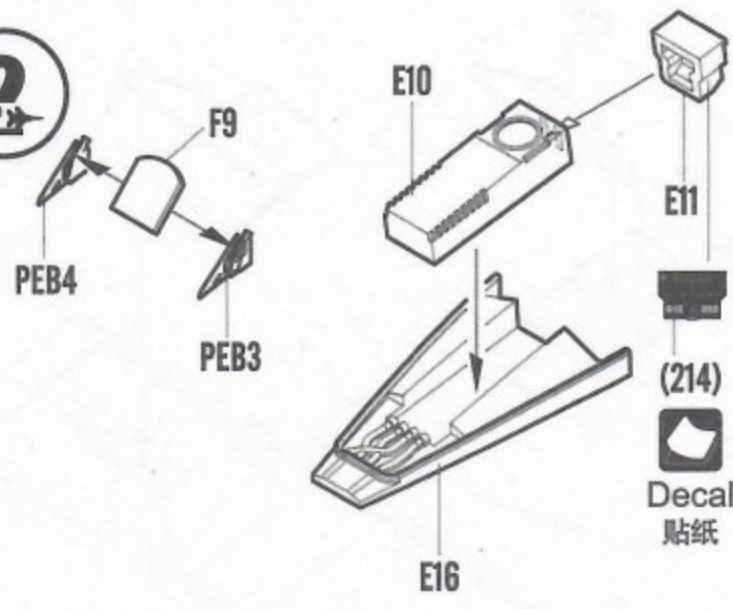
Decal 贴纸 (222)



Decal 贴纸 (225)

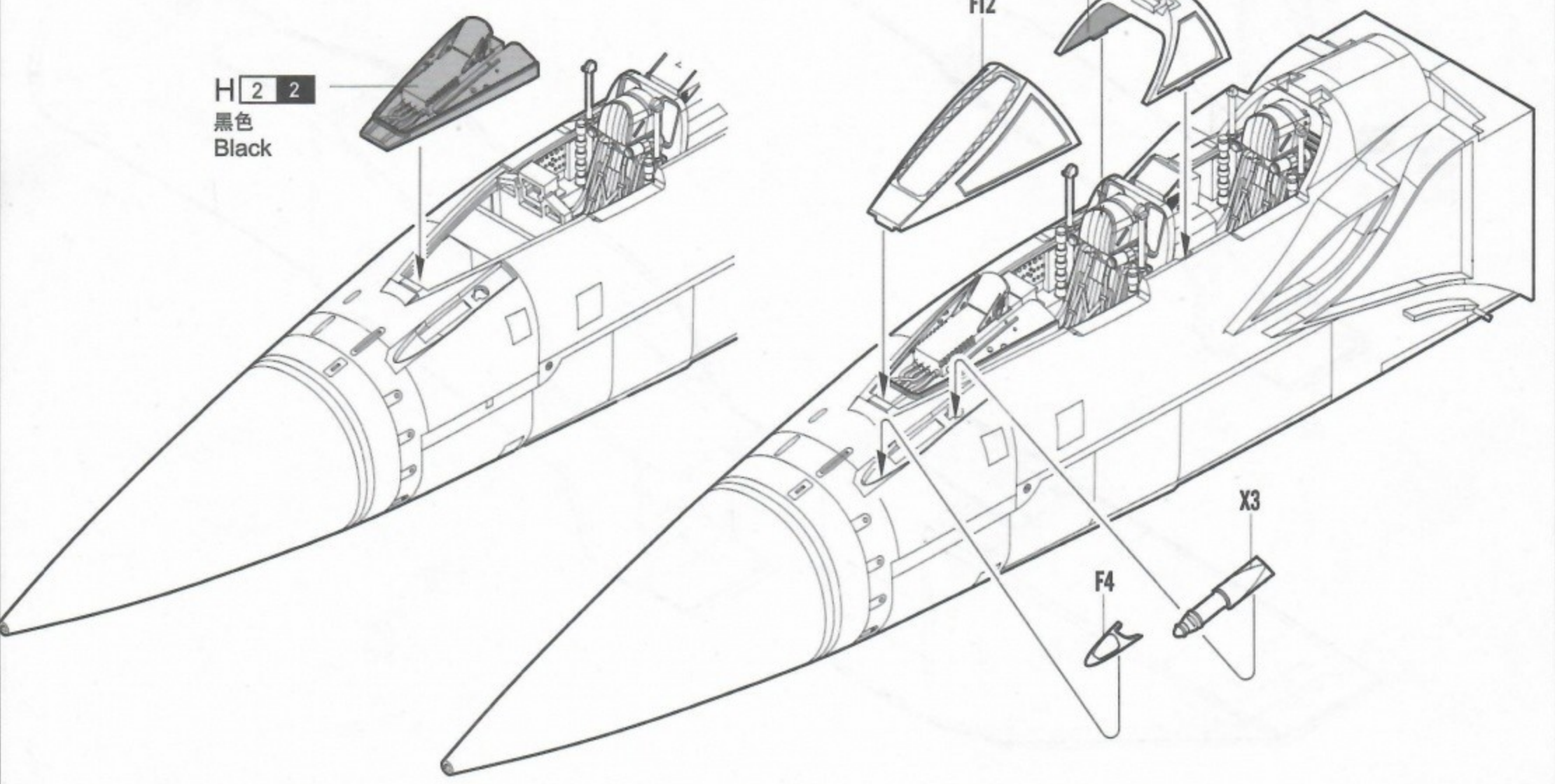
舱盖闭合状态时不装 E25 E28 E38 E39 The hatch closed state does not need to install E25 E28 E38 E39

2 STEP



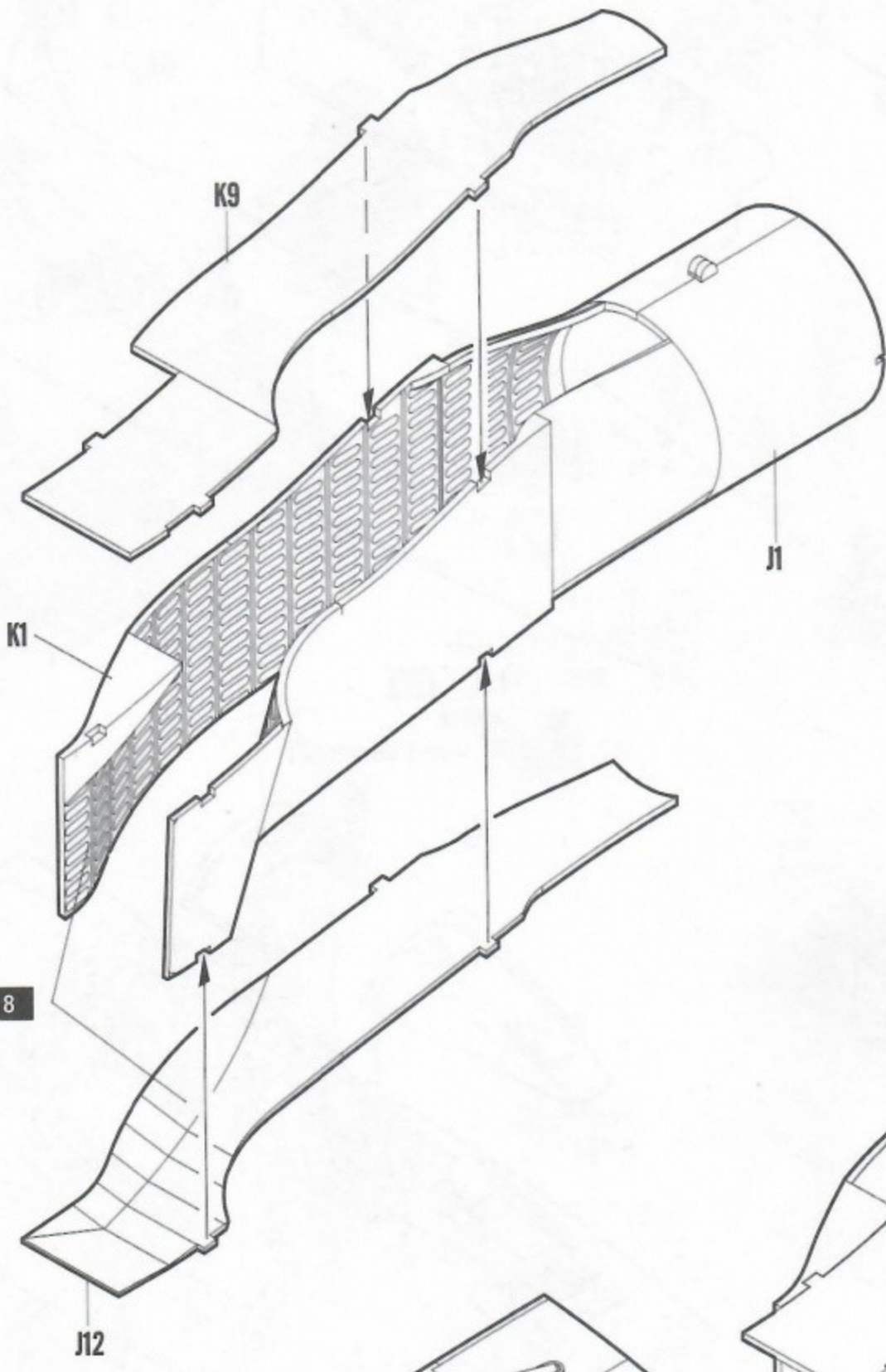
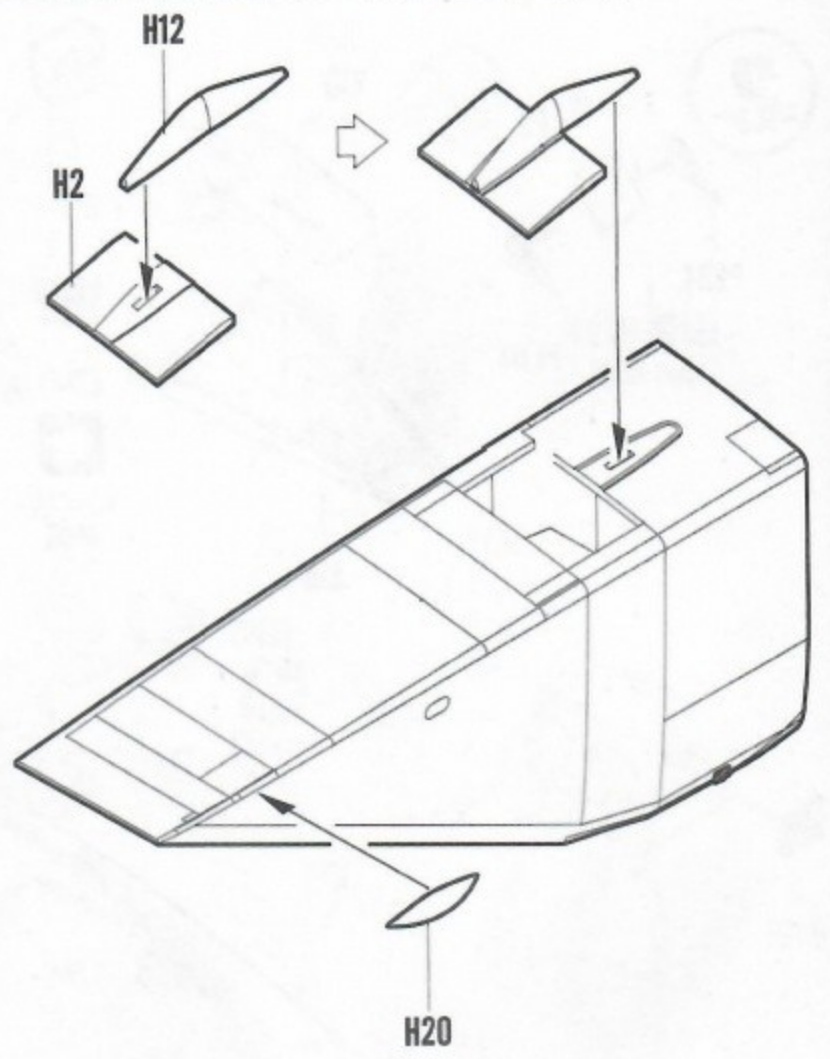
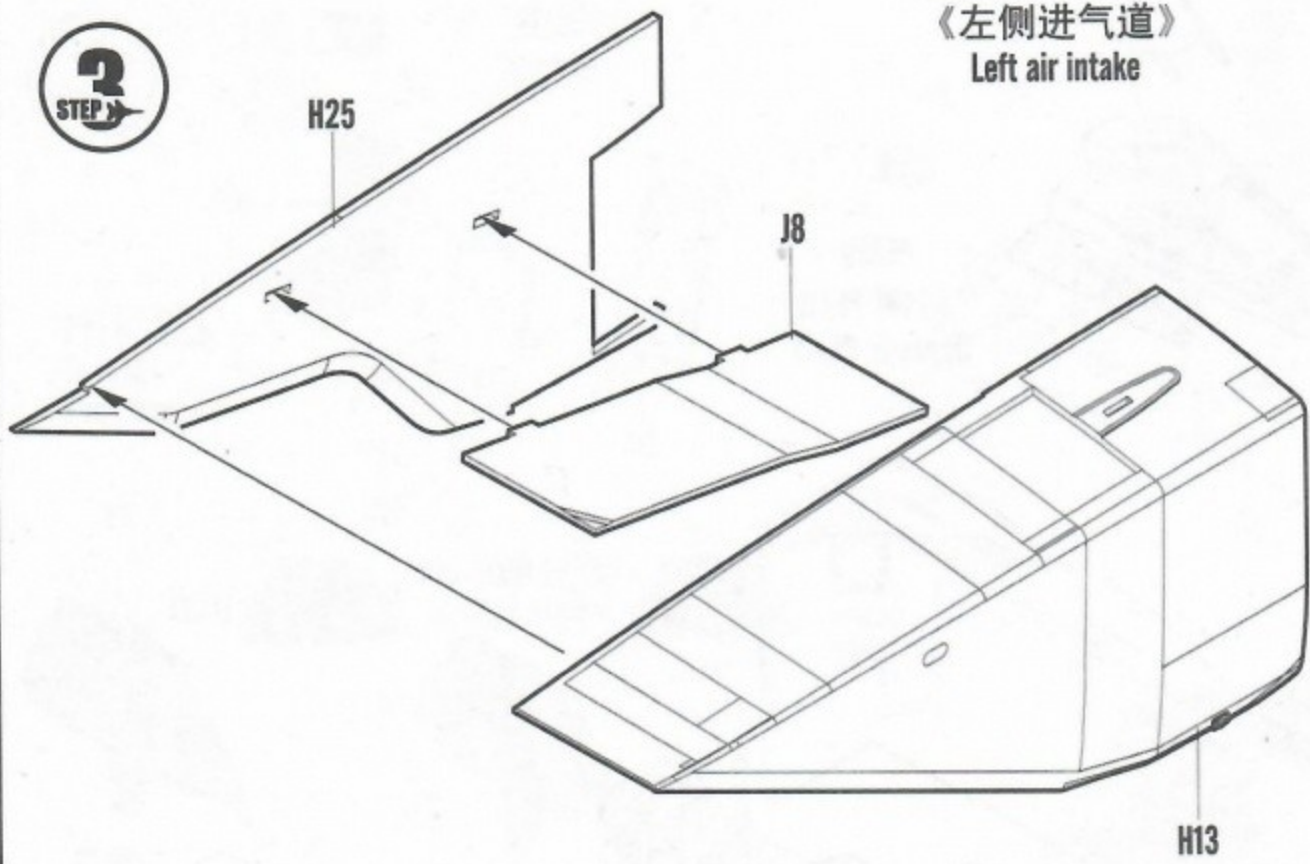
H 136
苏联绿
Russian Green(2)

H 2 2
黑色
Black

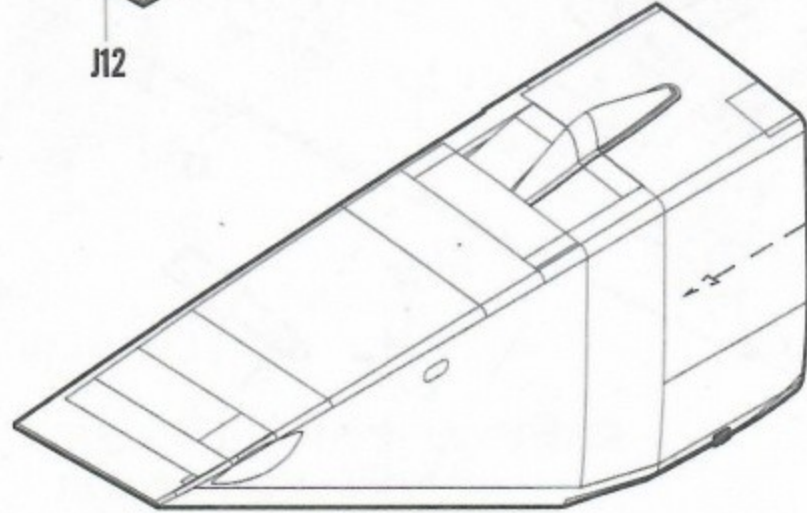
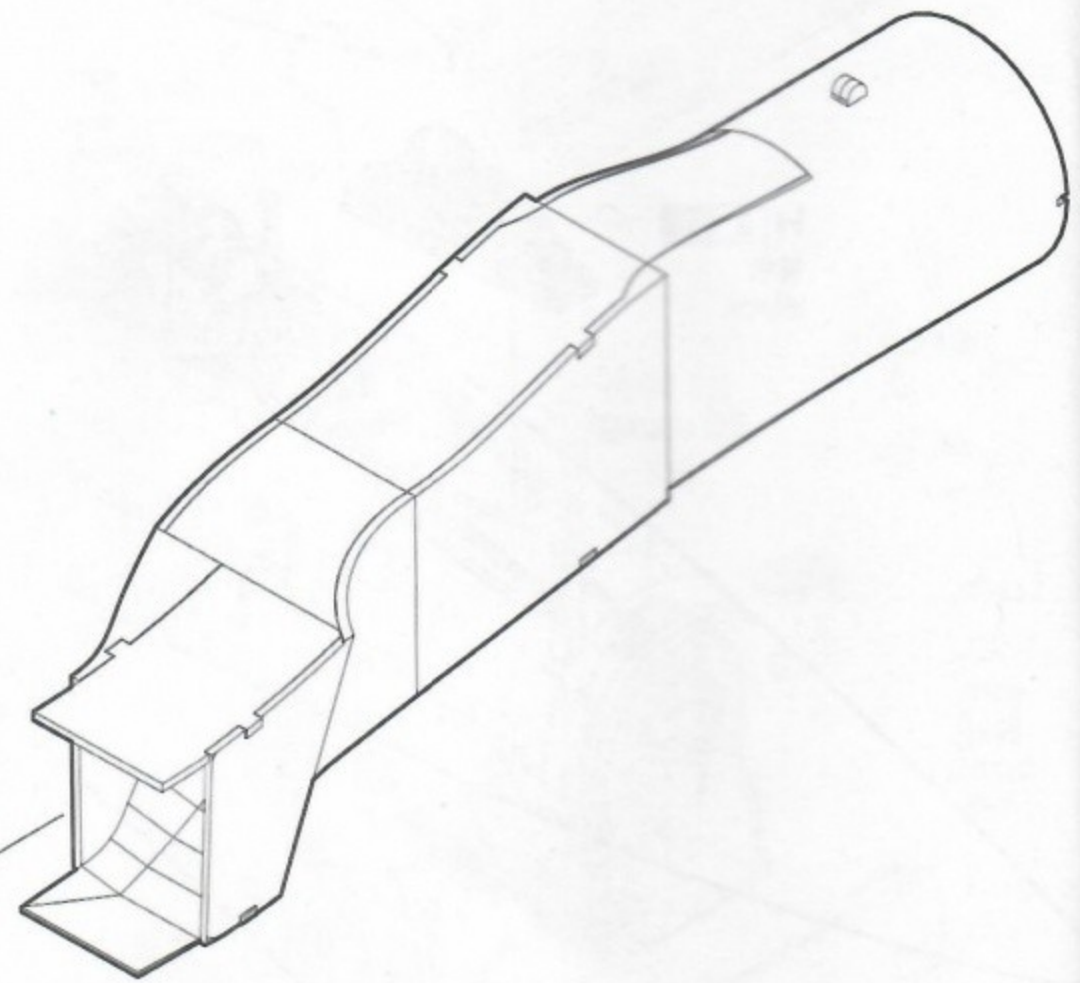


3
STEP

《左侧进气道》
Left air intake

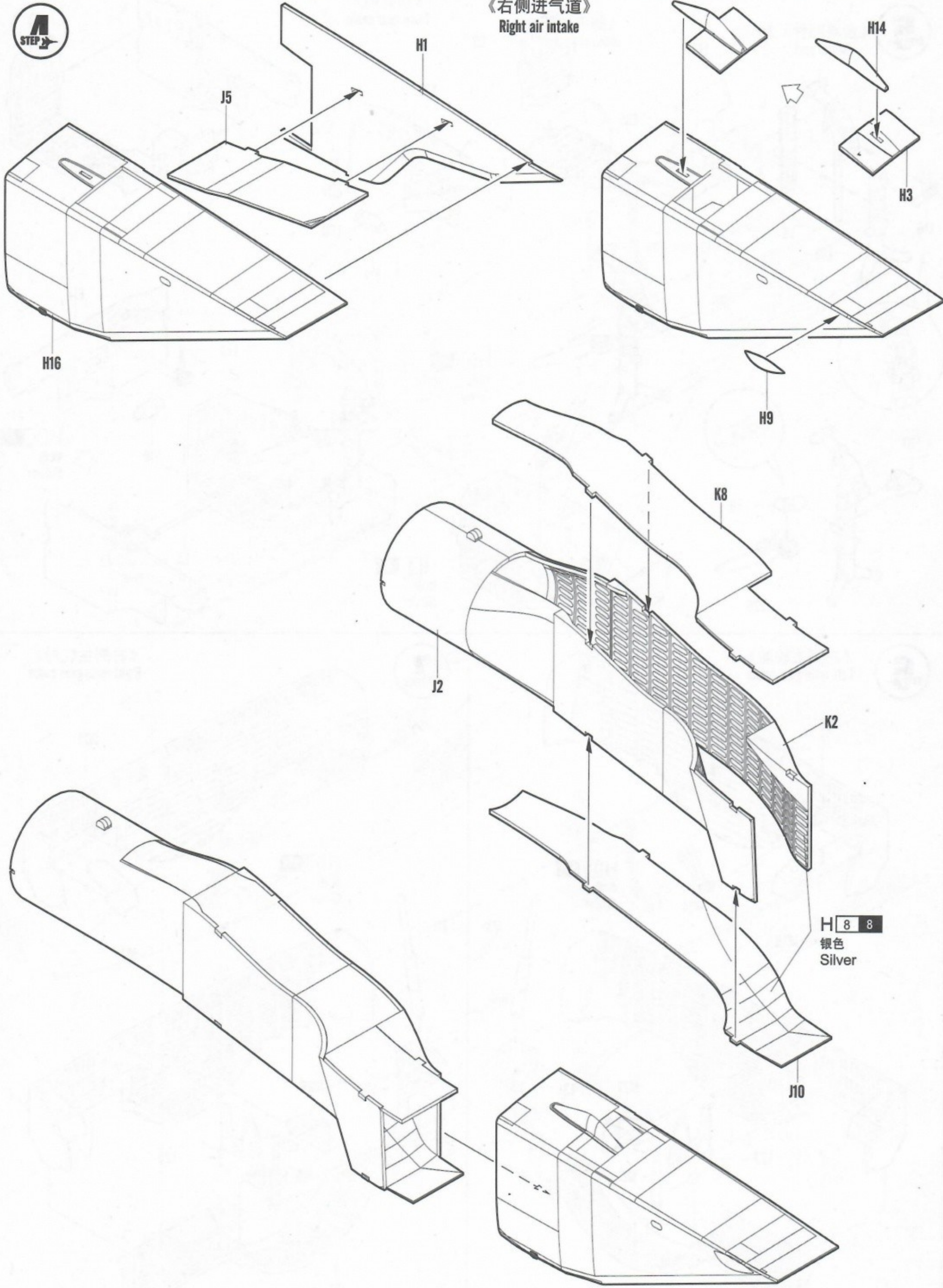


H 8 8
银色
Silver





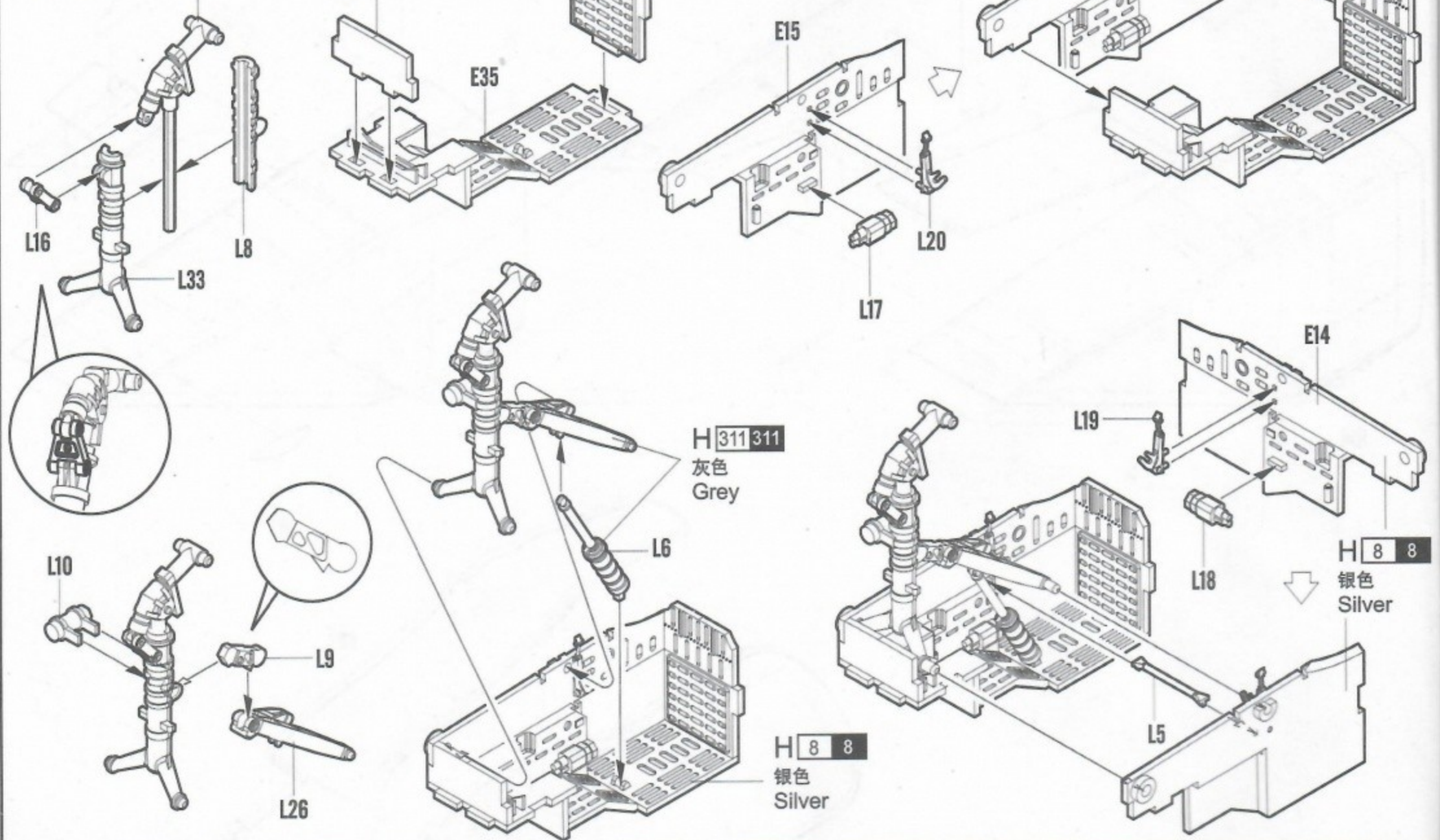
《右侧进气道》
Right air intake



H 8 8
银色
Silver

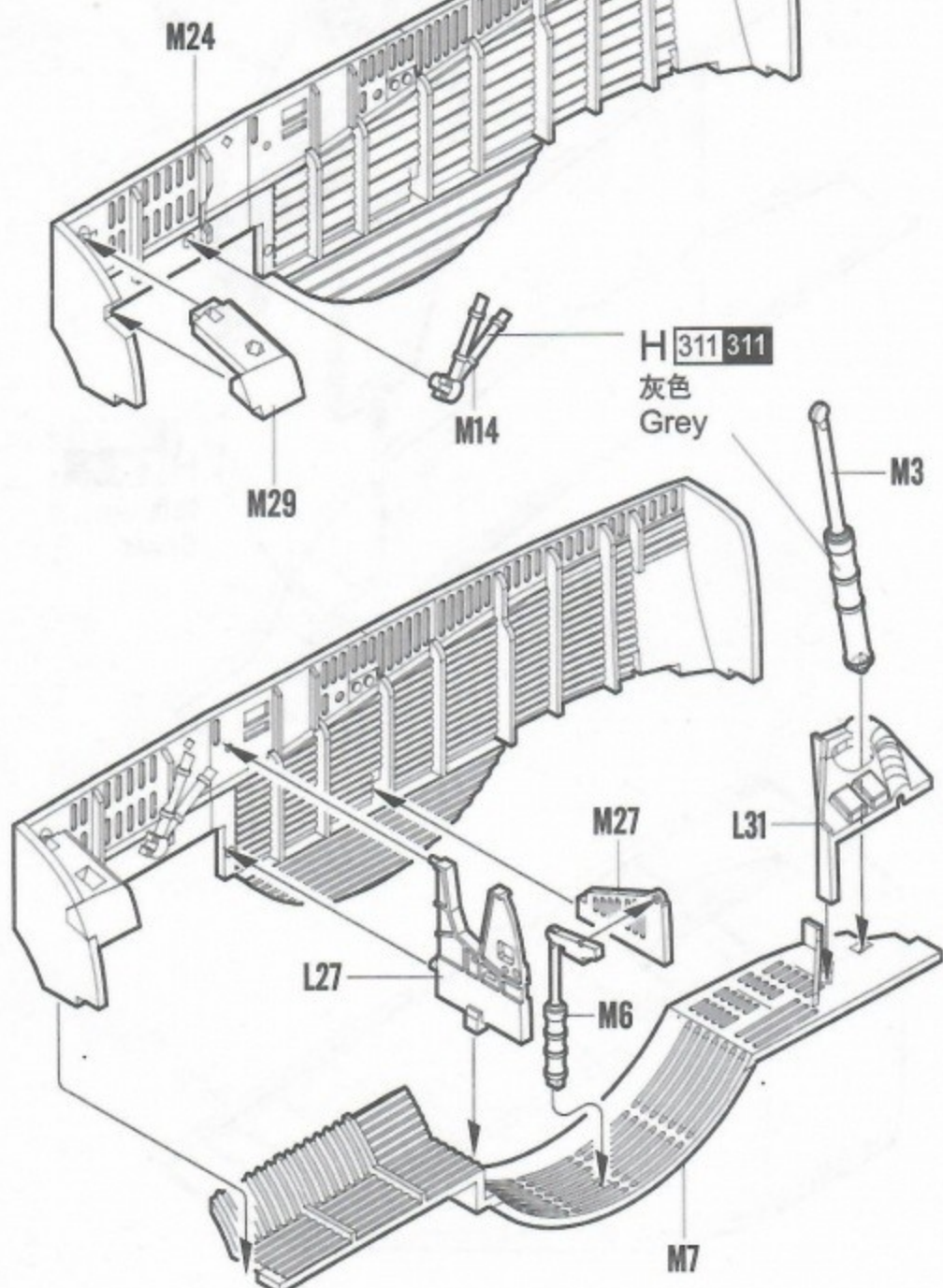
5 STEP

《金属部件》3#
Metal part



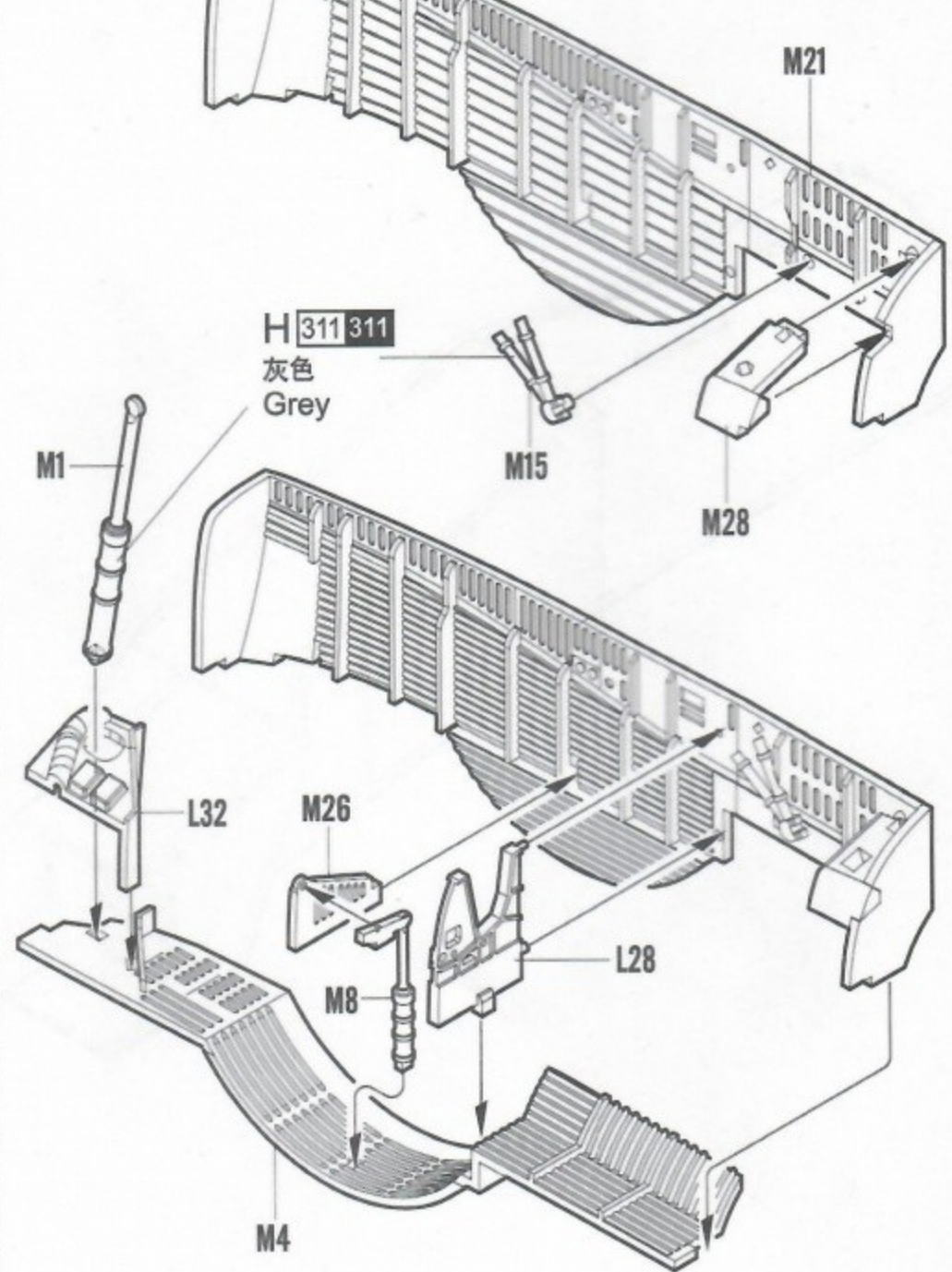
6 STEP

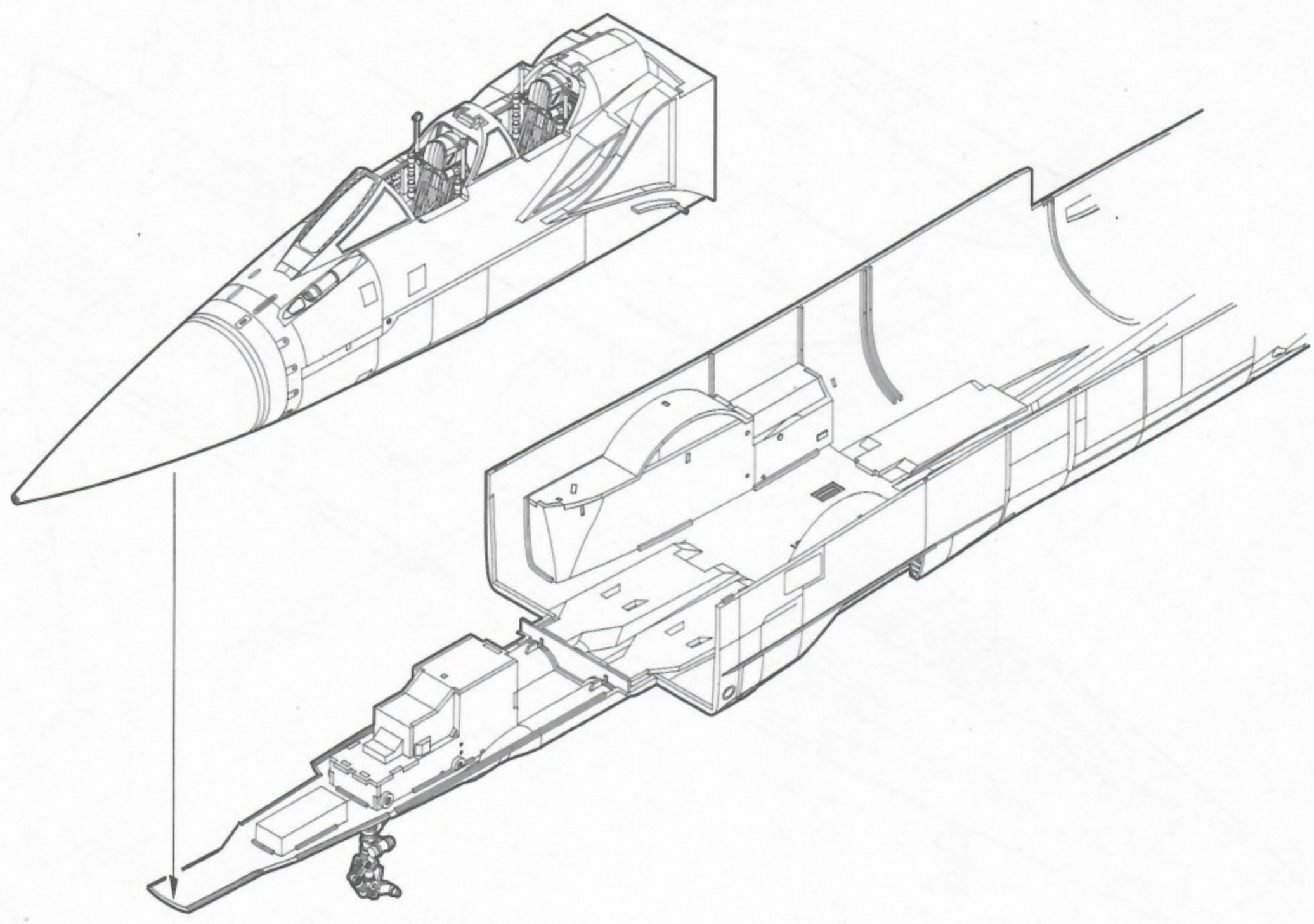
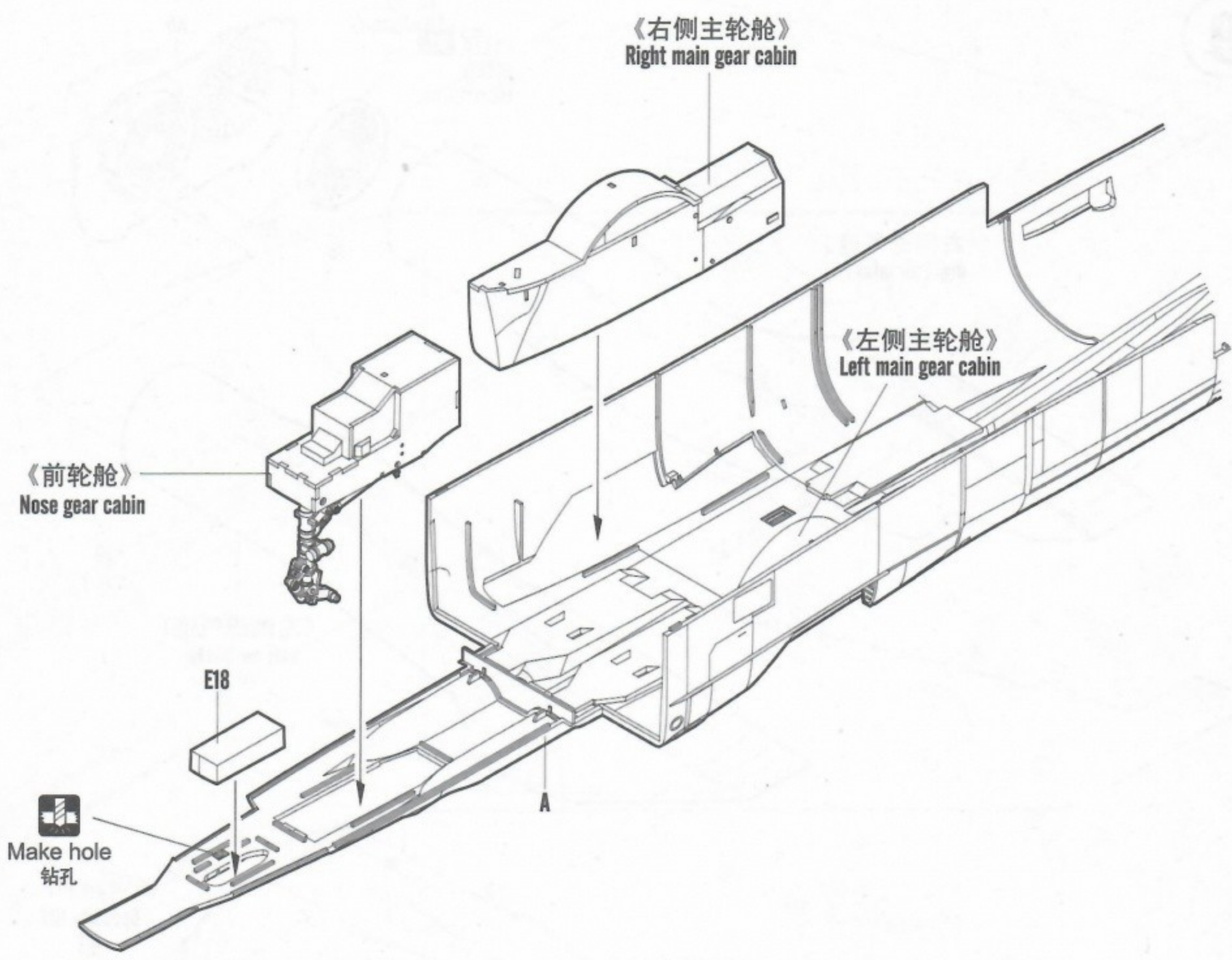
《左侧主轮舱》
Left main gear cabin



7 STEP

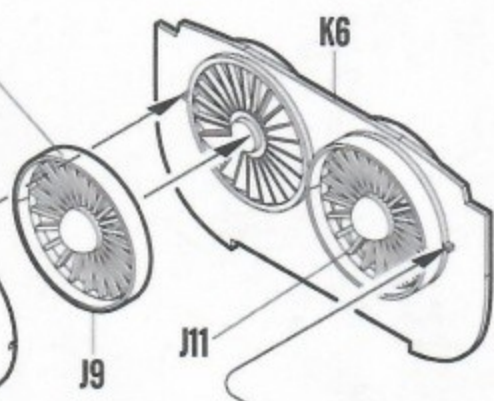
《右侧主轮舱》
Right main gear cabin



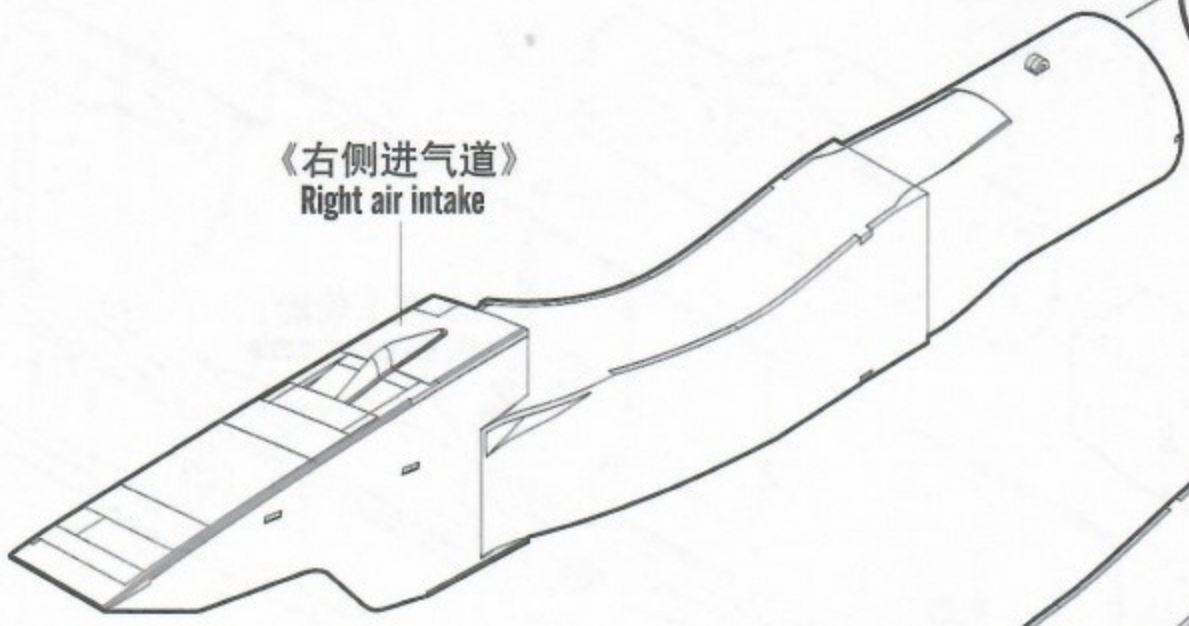




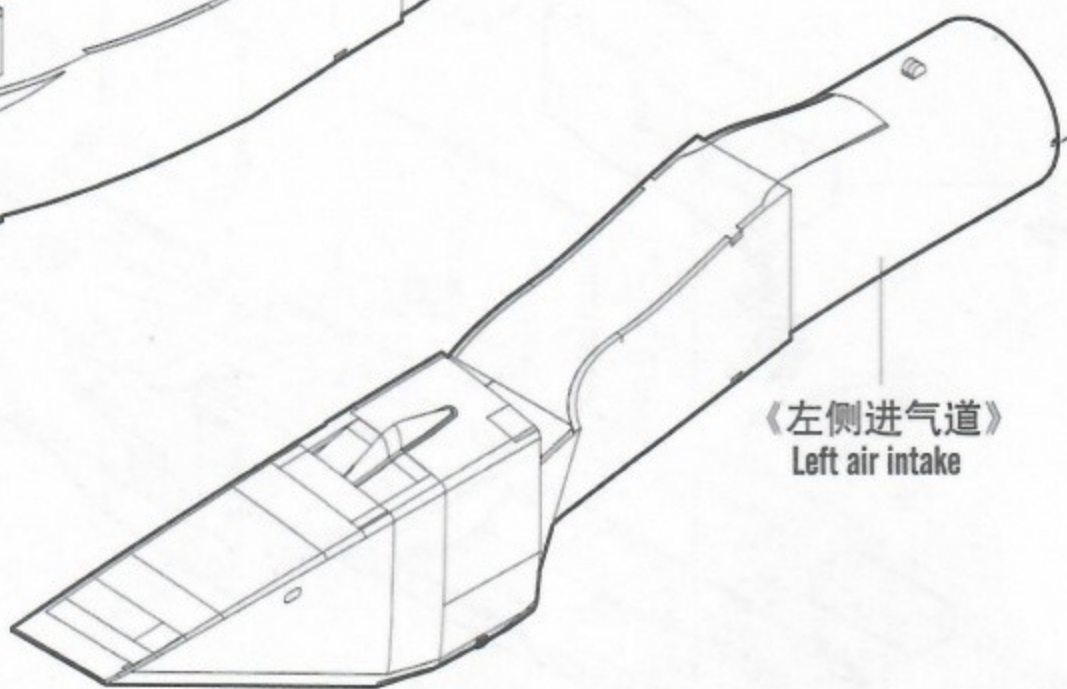
H 76 61
烧铁色
Burnt Iron



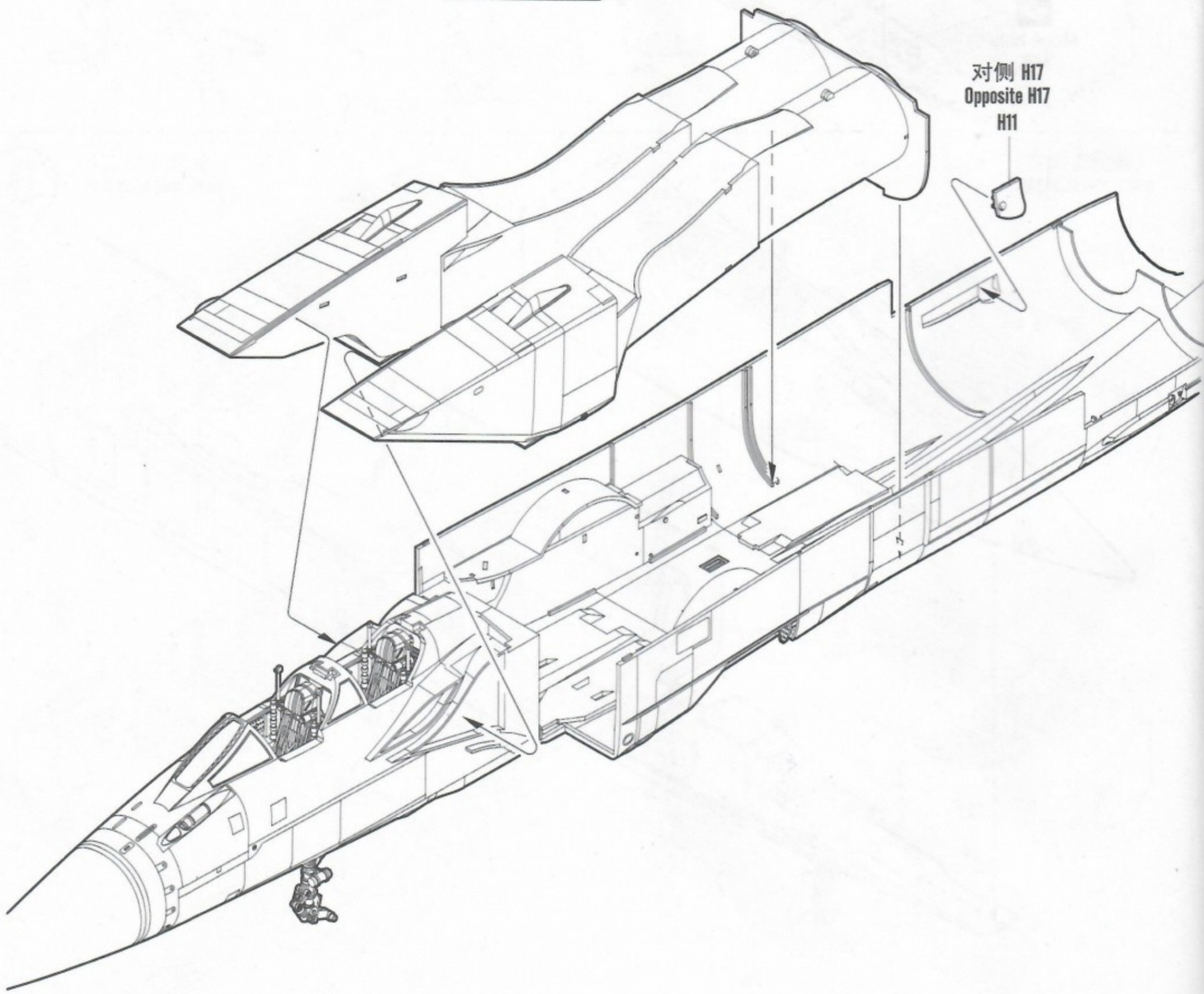
《右侧进气道》
Right air intake



《左侧进气道》
Left air intake

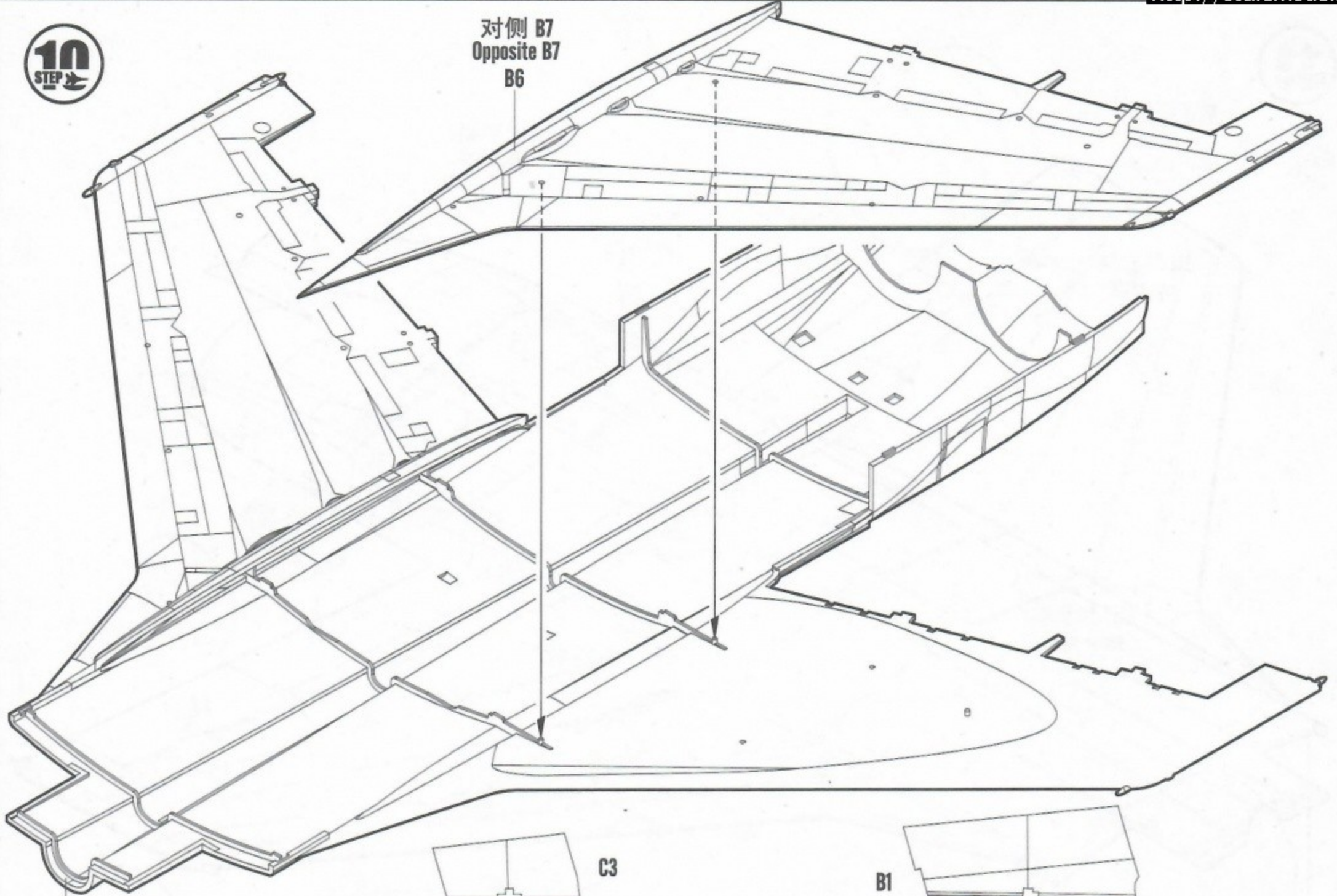


对侧 H17
Opposite H17
H11



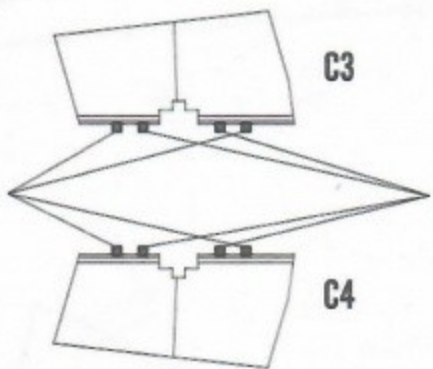
10
STEP

对侧 B7
Opposite B7
B6

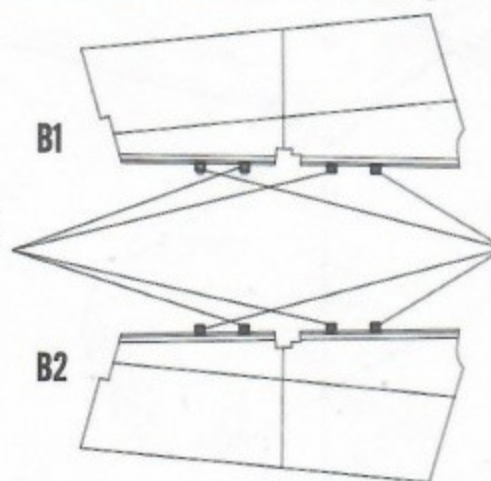


B3

打开状态时切除
Cut when open



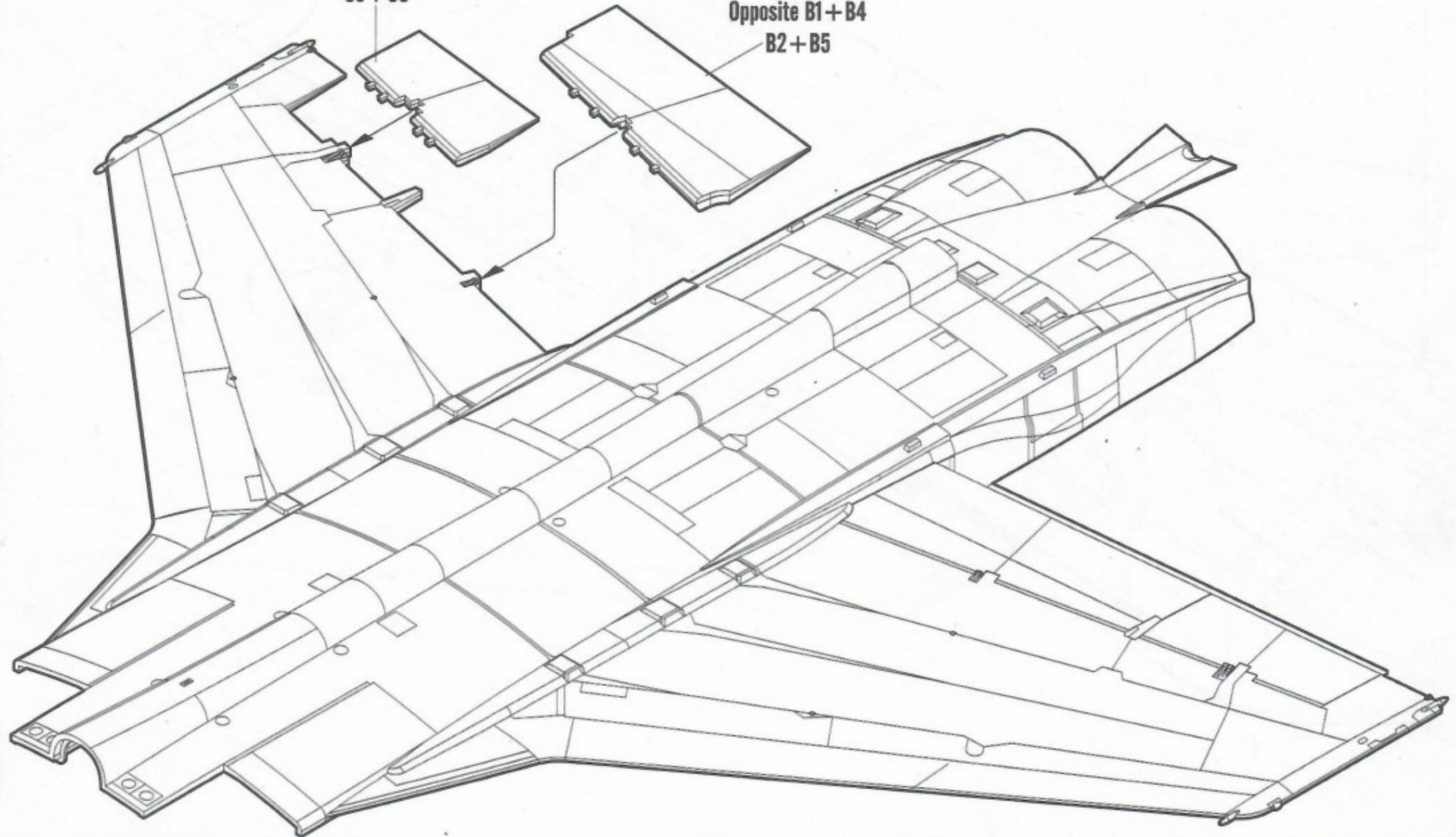
闭合状态时切除
Cut when close



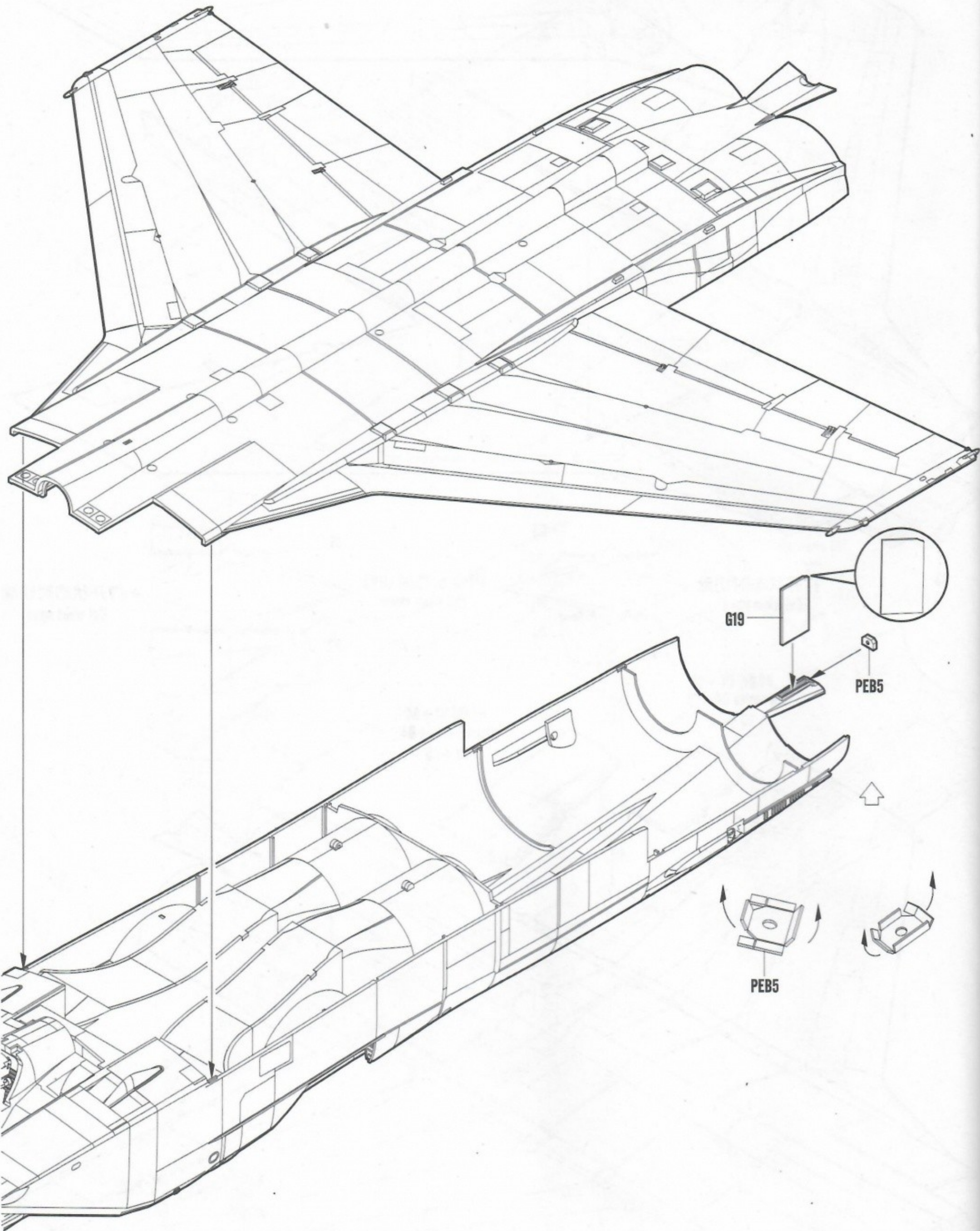
打开状态时切除
Cut when open

对侧 C4+C5
Opposite C4+C5
C3+C6

对侧 B1+B4
Opposite B1+B4
B2+B5



11
STEP



12
STEP

《尾喷管》
Tail spout

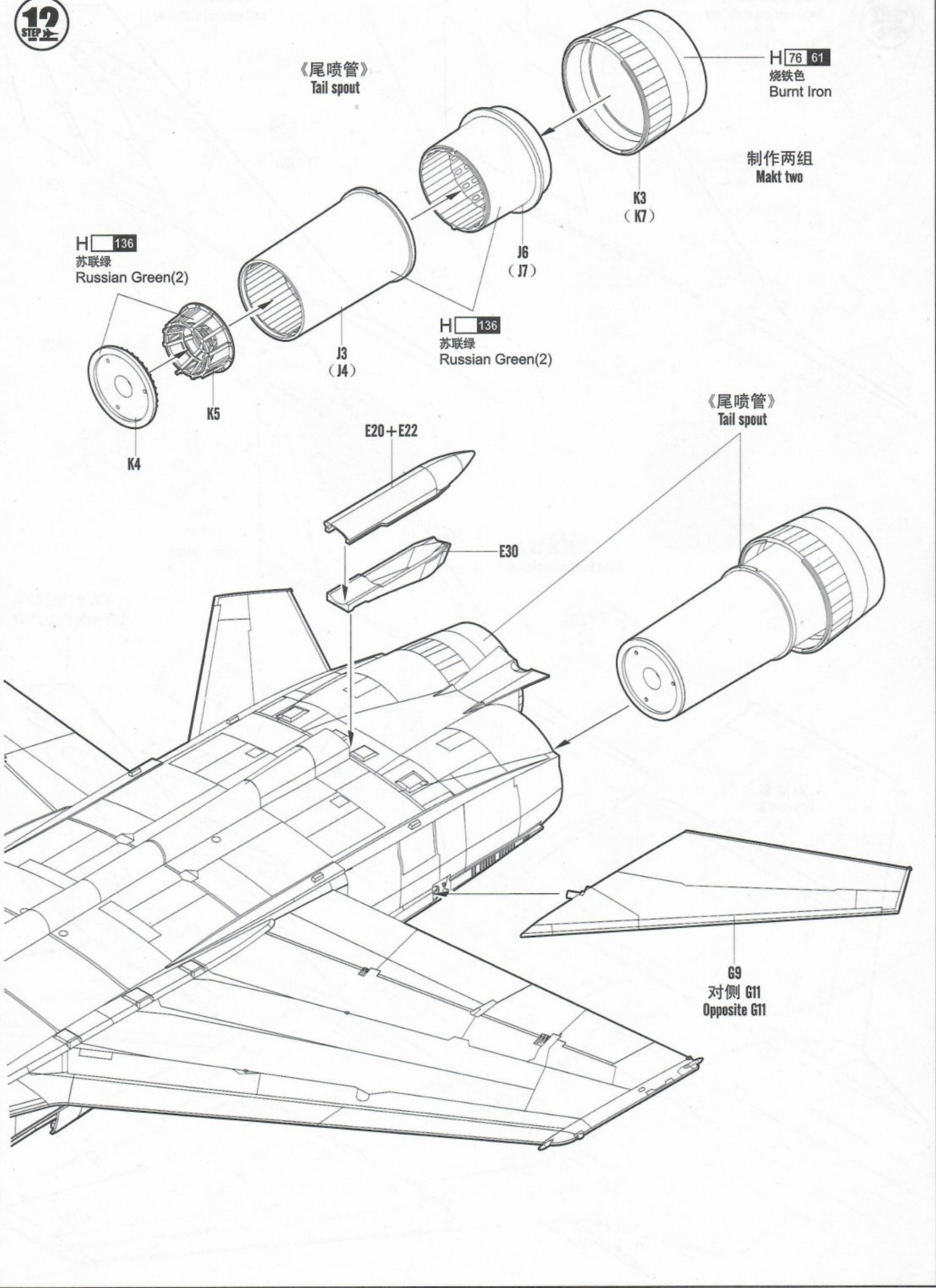
H 76 61
烧铁色
Burnt Iron

制作两组
Makt two

H 136
苏联绿
Russian Green(2)

H 136
苏联绿
Russian Green(2)

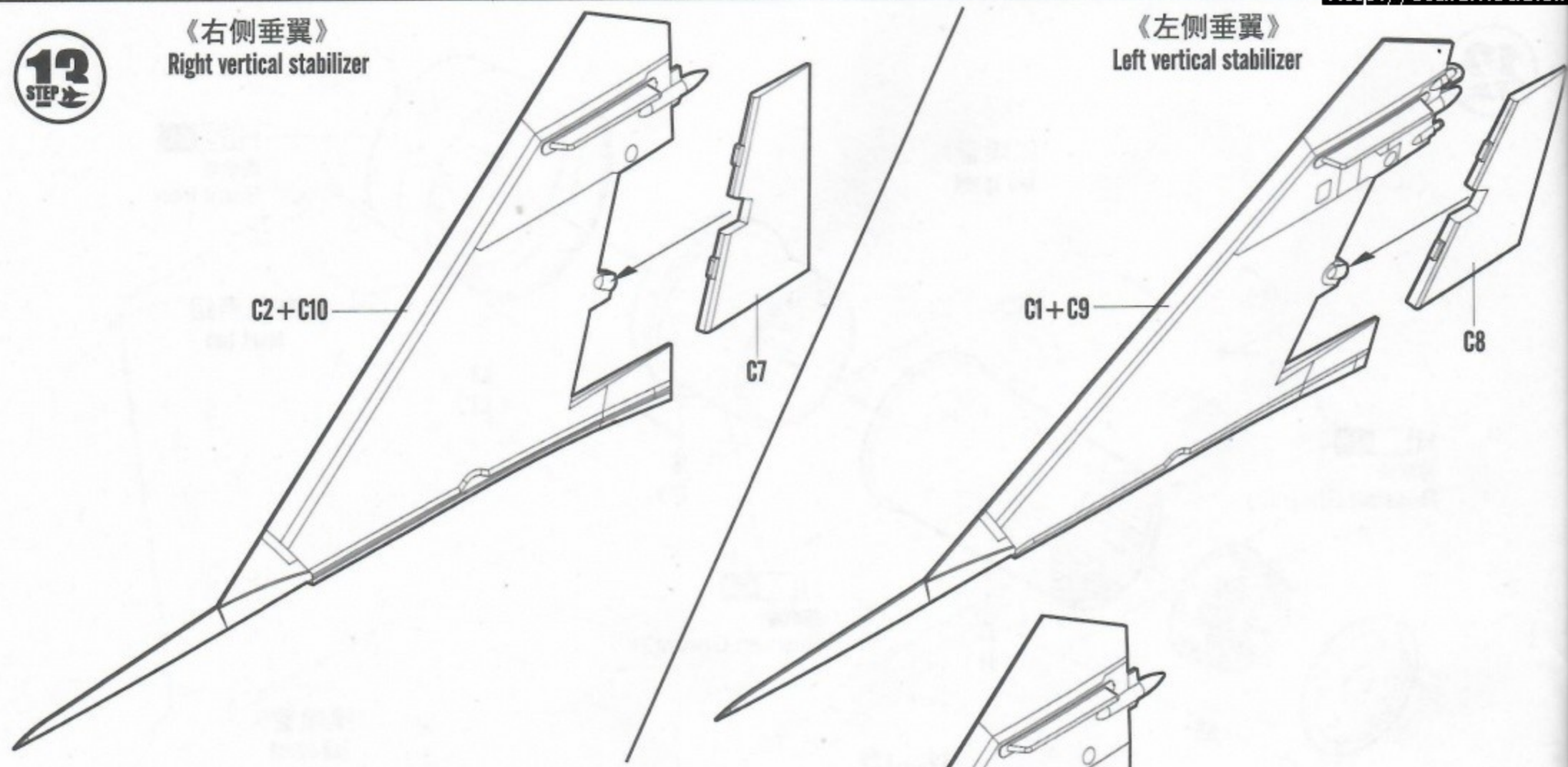
《尾喷管》
Tail spout



13
STEP

《右侧垂翼》
Right vertical stabilizer

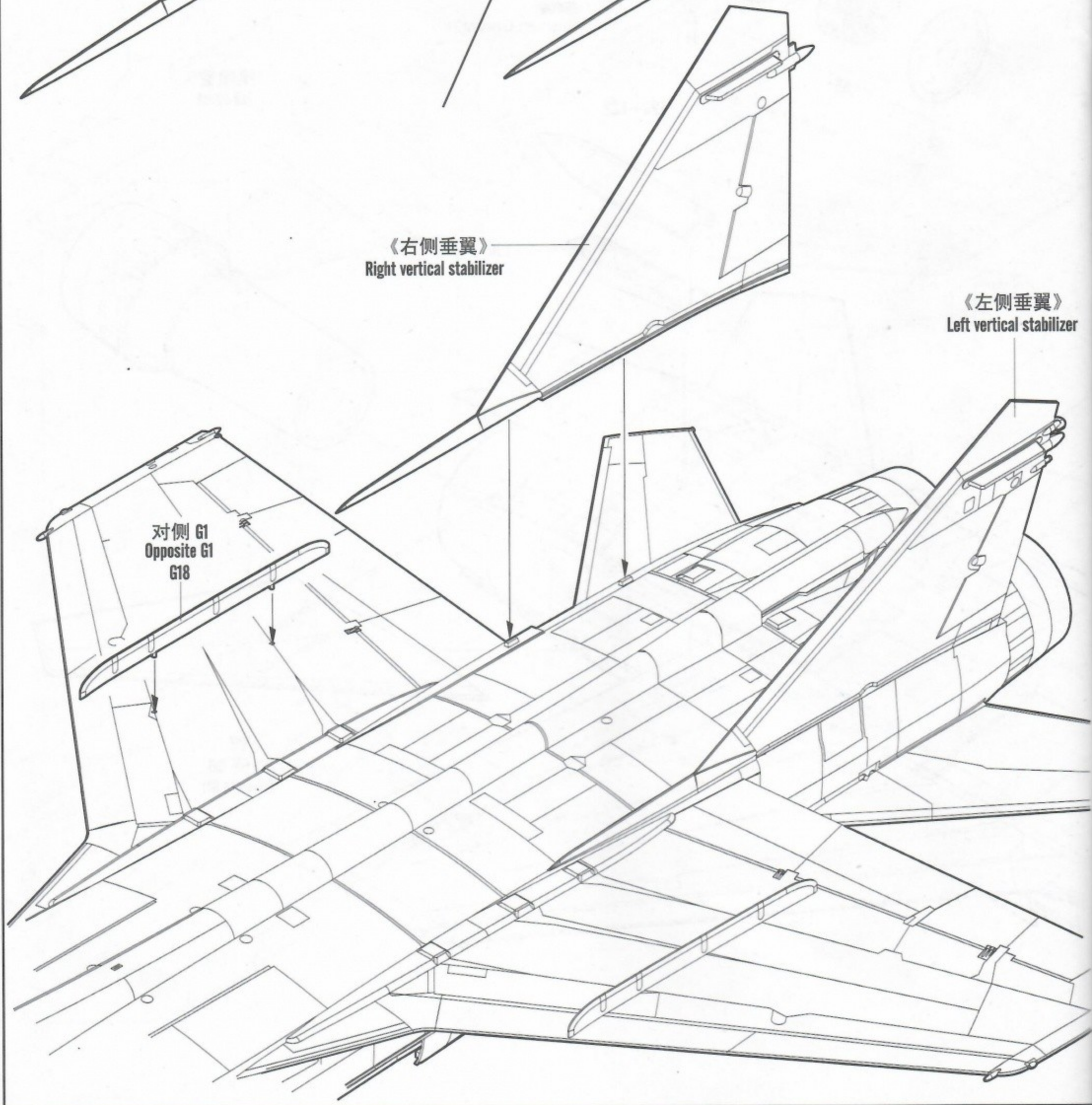
《左侧垂翼》
Left vertical stabilizer



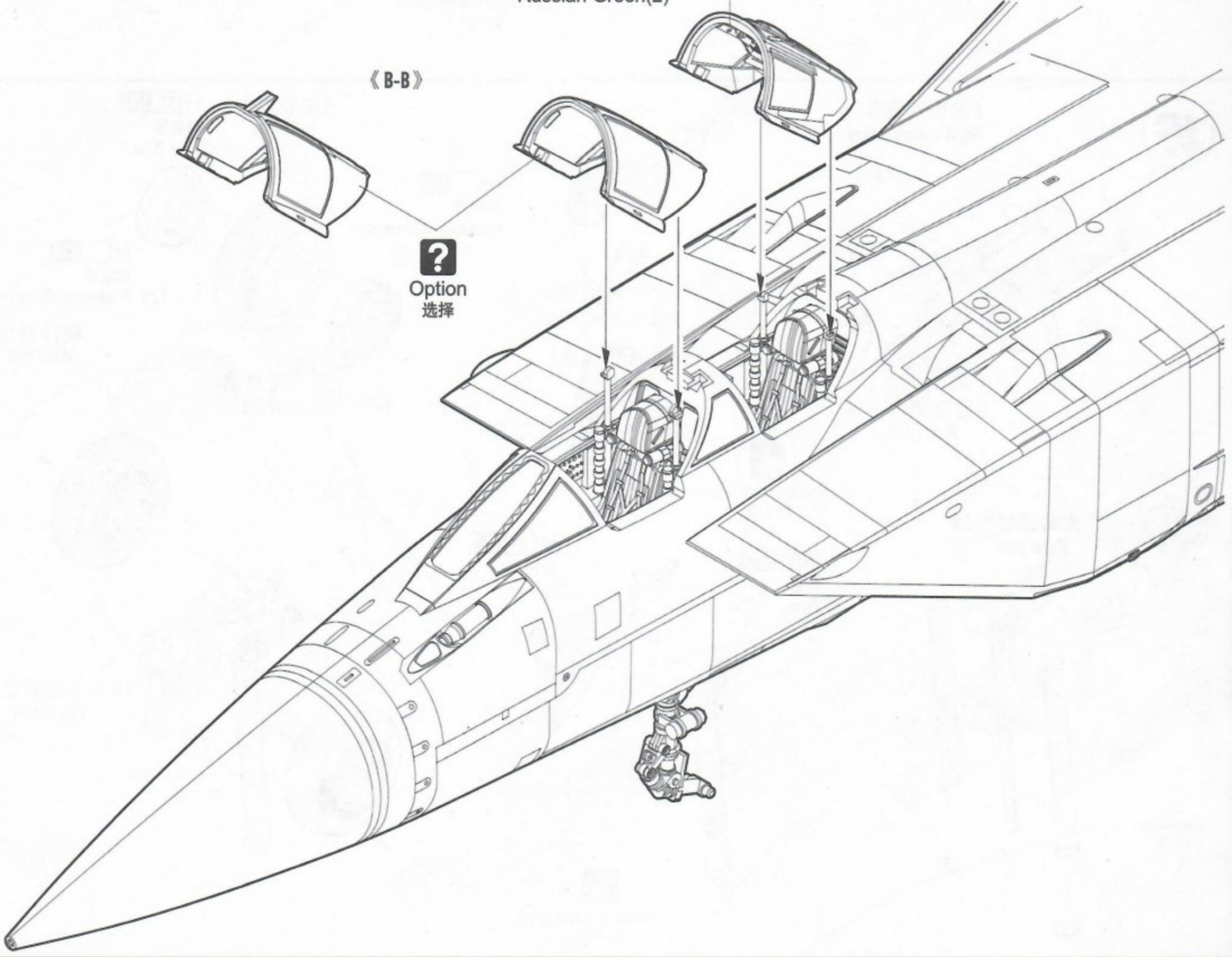
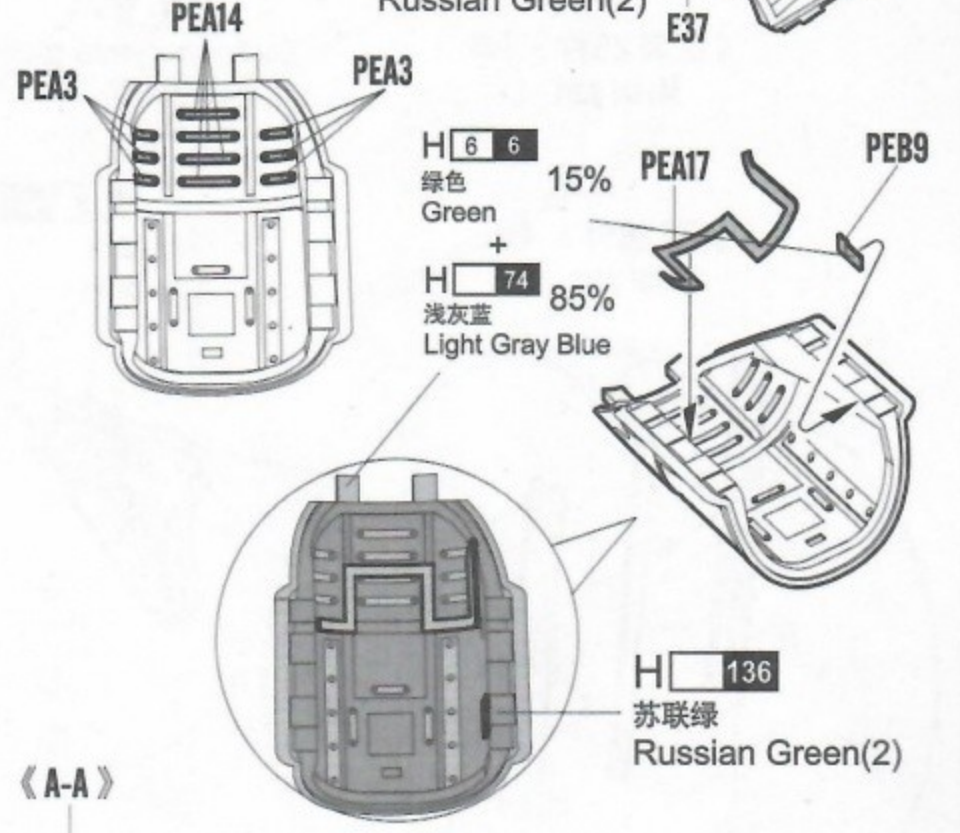
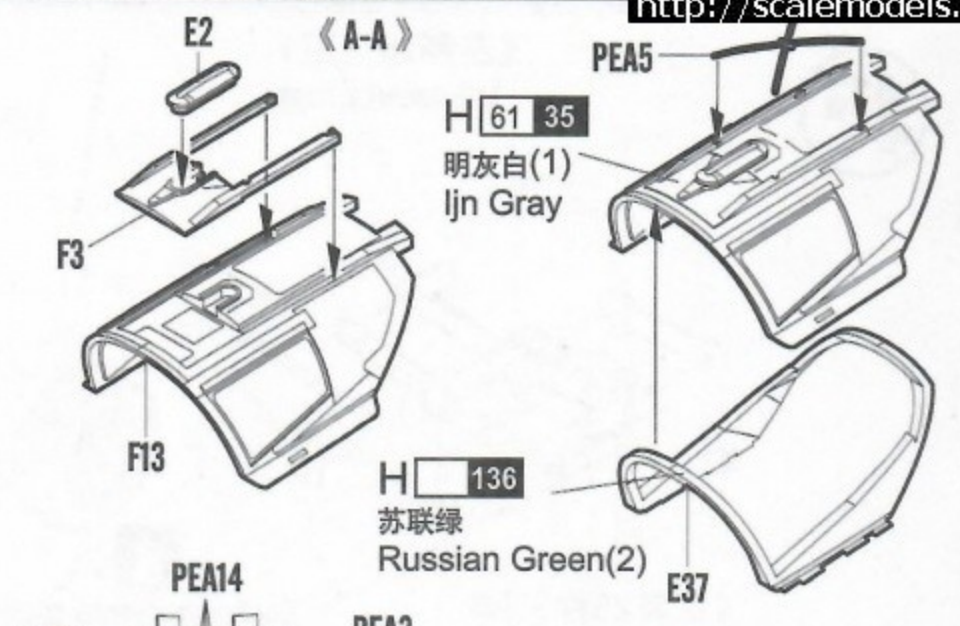
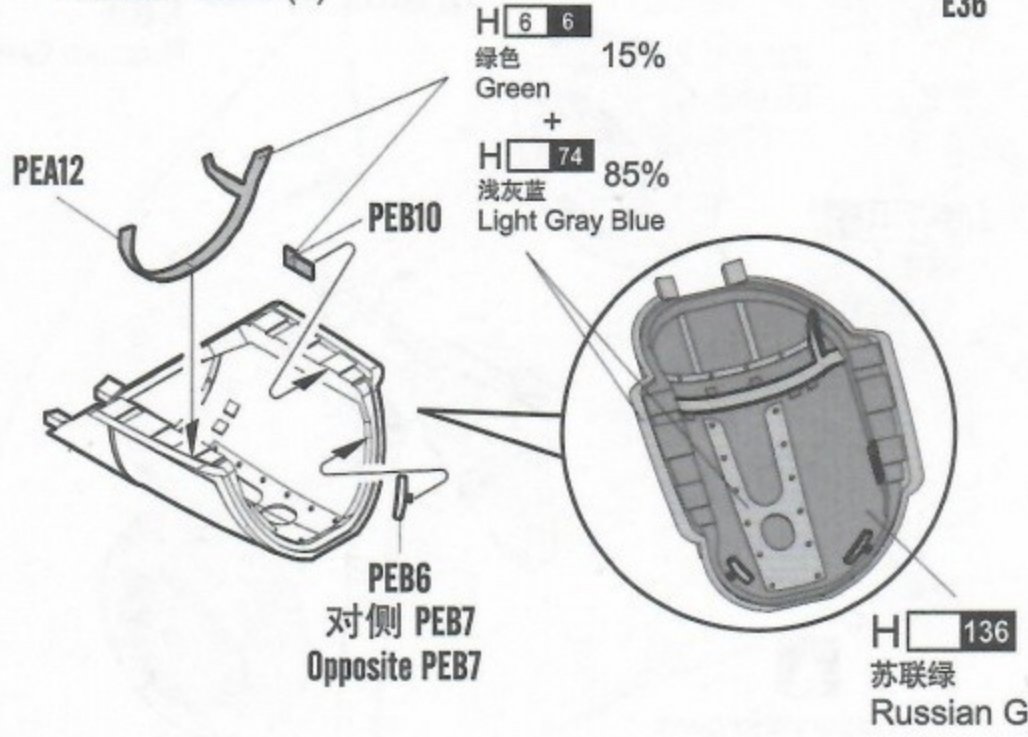
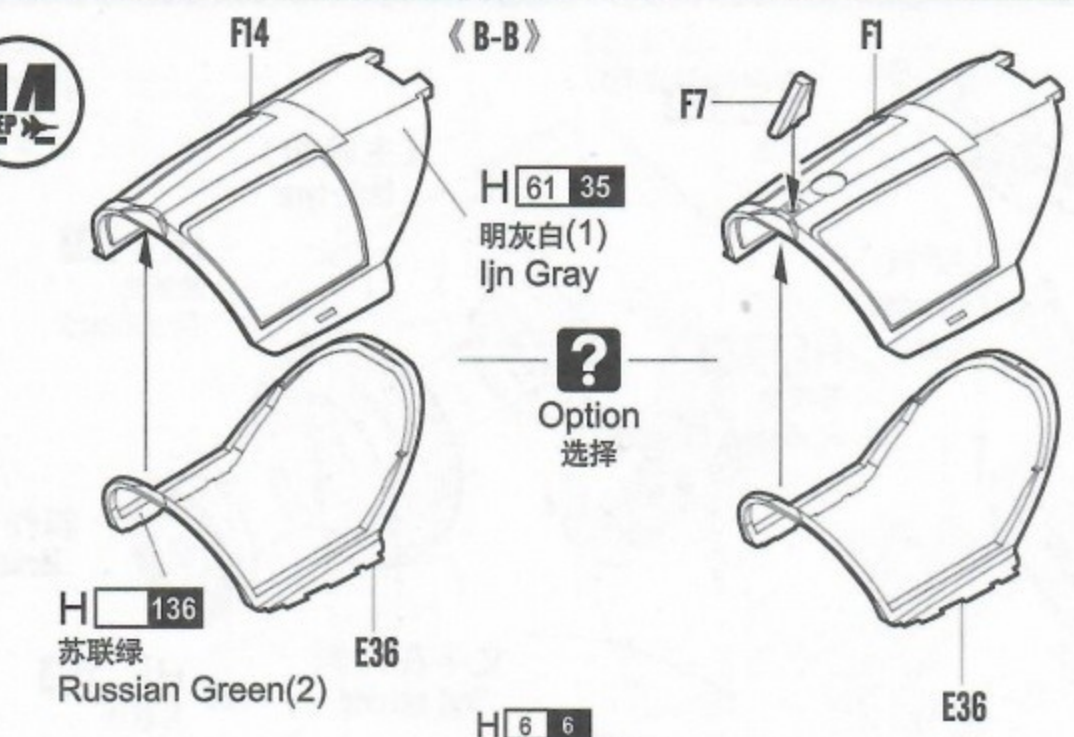
《右侧垂翼》
Right vertical stabilizer

《左侧垂翼》
Left vertical stabilizer

对侧 G1
Opposite G1
G18

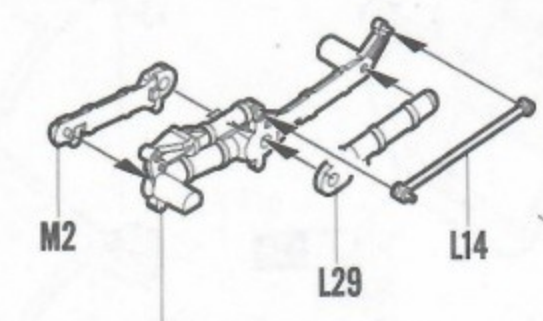


1 STEP



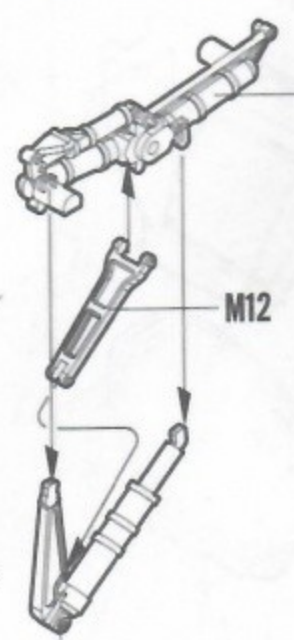
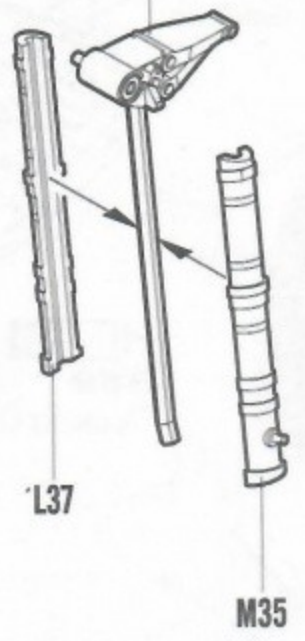
15 STEP

《左侧起落架》
Left undercarriage

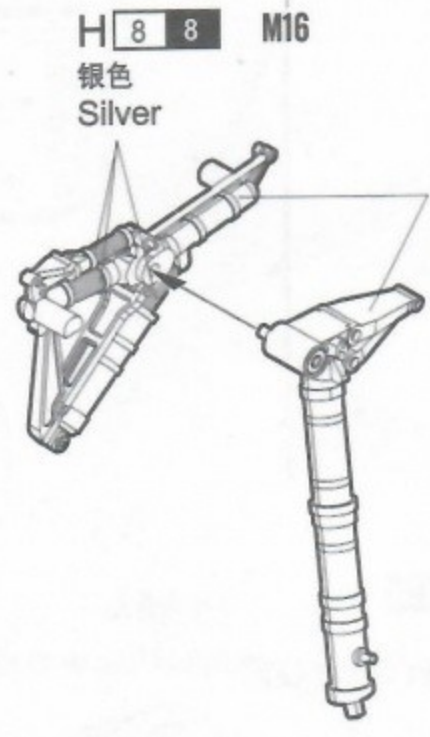


《金属部件》5#
Metal part

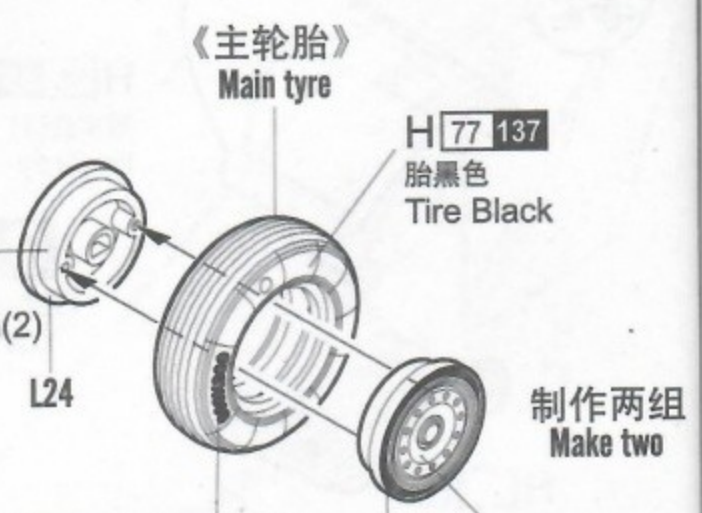
《金属部件》4#
Metal part



Cyanoacrylate glue
强力胶

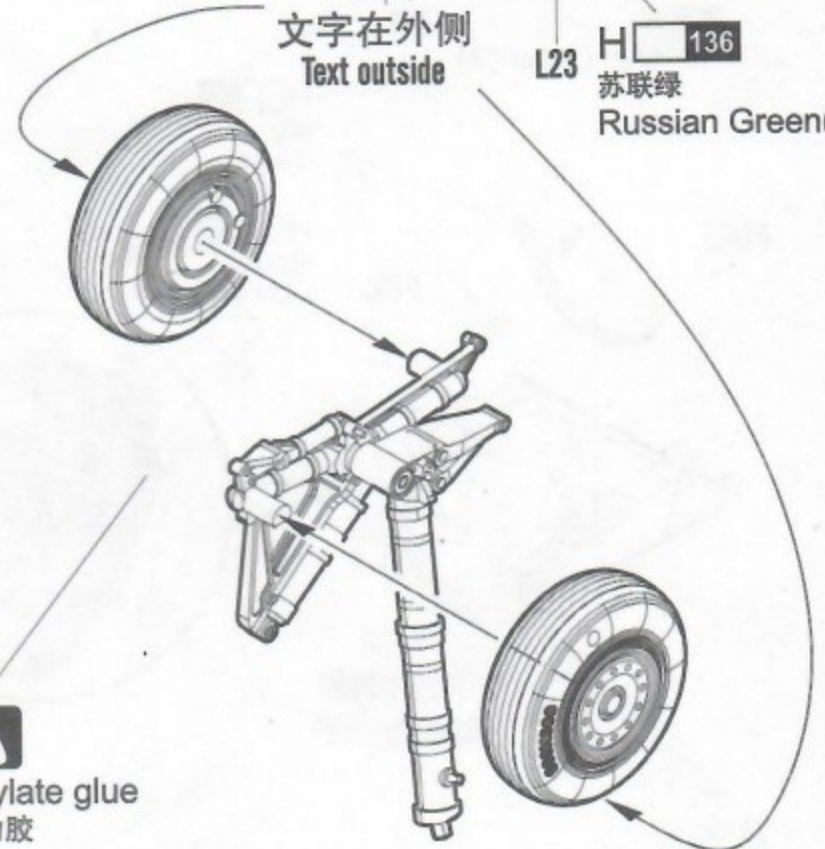


Cyanoacrylate glue
强力胶



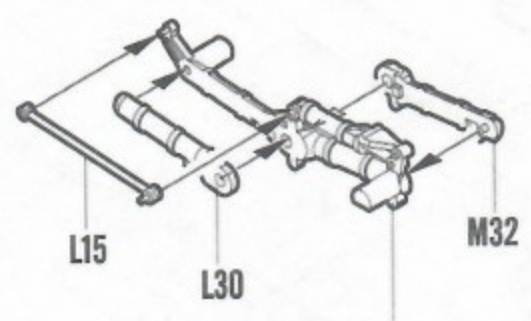
文字在外侧
Text outside

制作两组
Make two



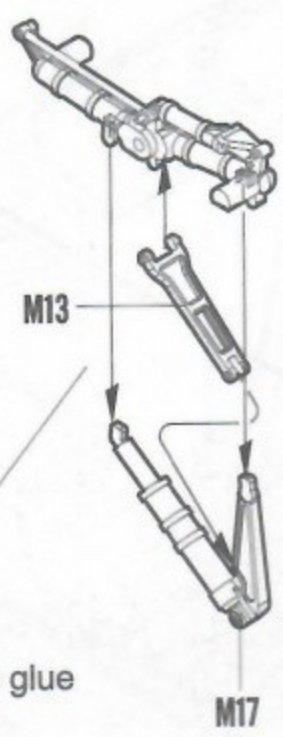
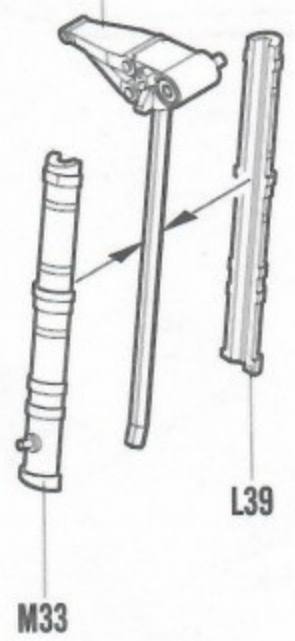
16 STEP

《右侧起落架》
Right undercarriage



《金属部件》1#
Metal part

《金属部件》2#
Metal part



Cyanoacrylate glue
强力胶

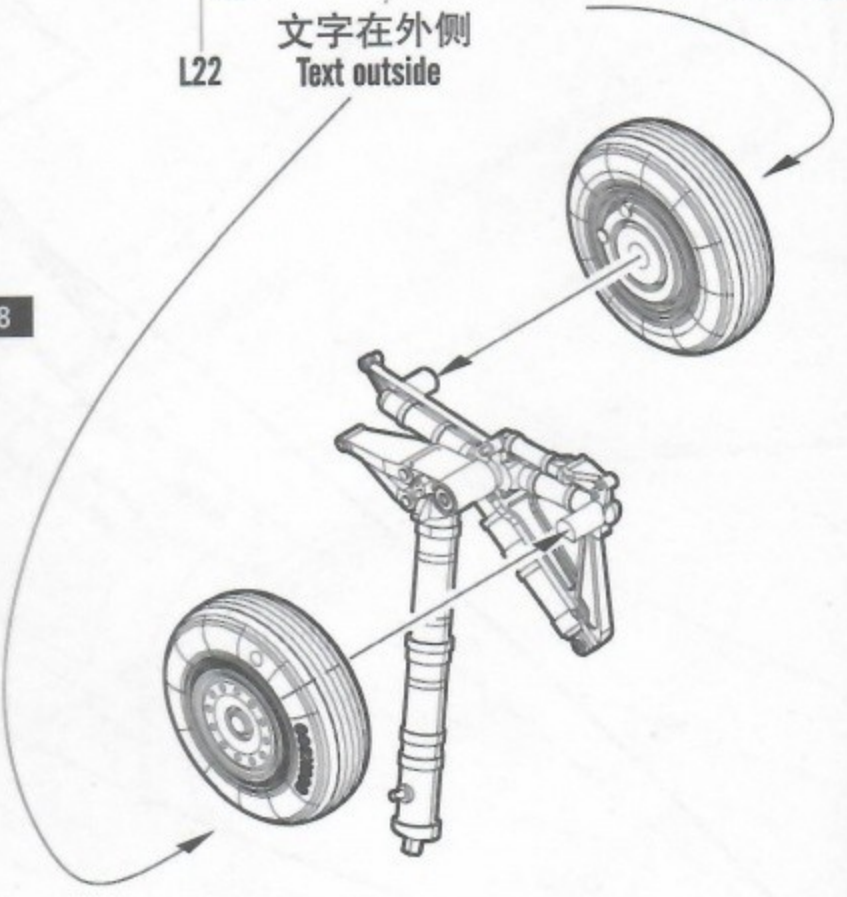


Cyanoacrylate glue
强力胶



文字在外侧
Text outside

制作两组
Make two



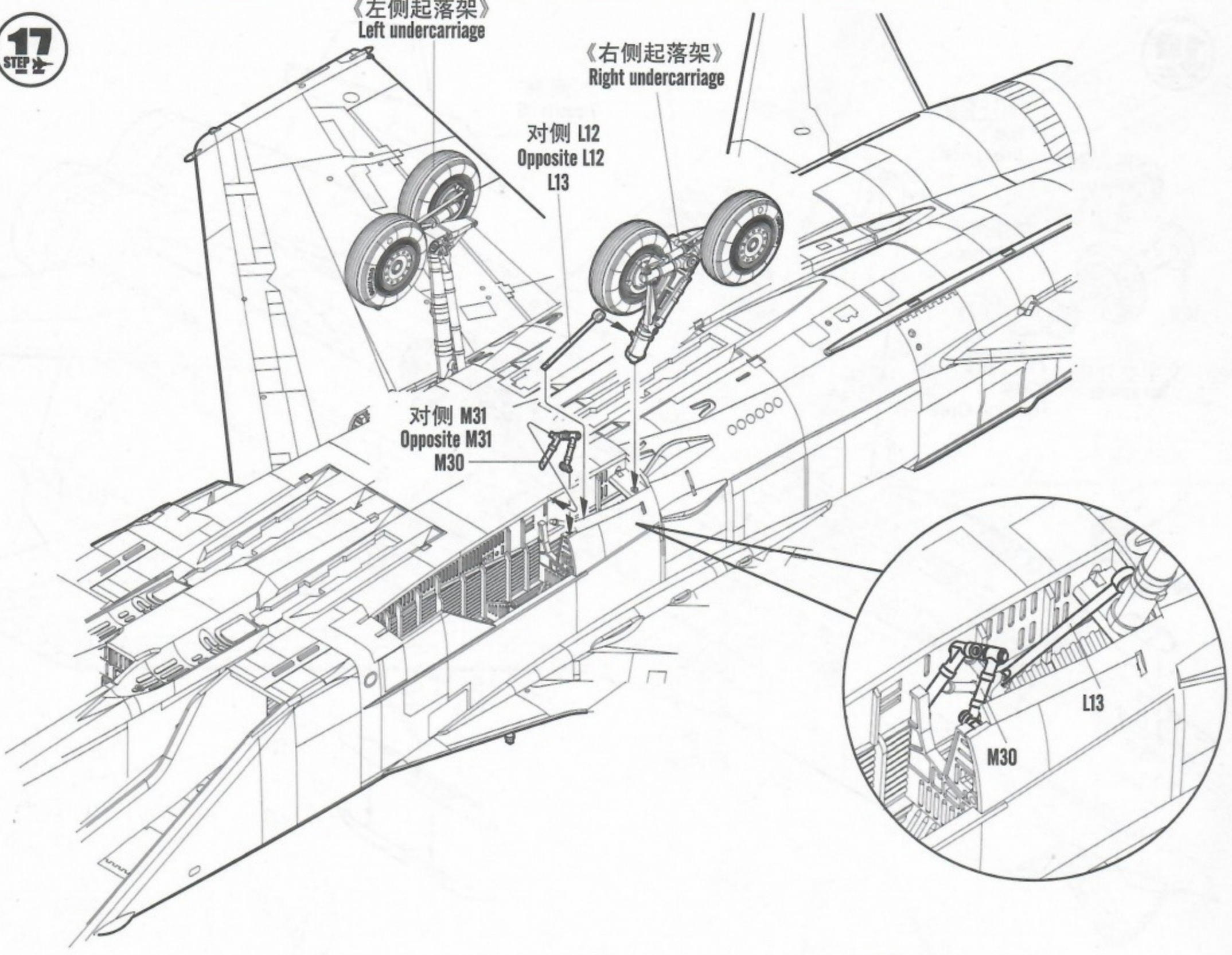
17
STEP

《左侧起落架》
Left undercarriage

《右侧起落架》
Right undercarriage

对侧 L12
Opposite L12
L13

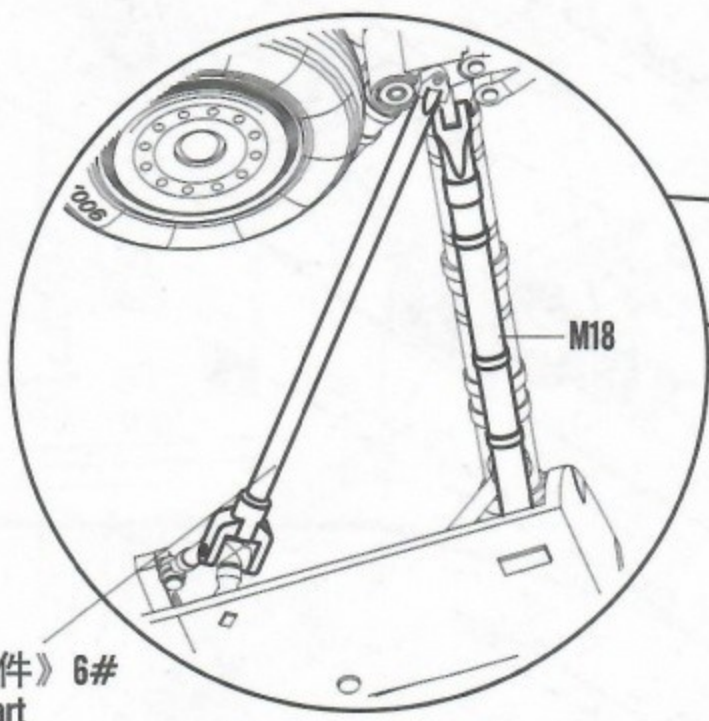
对侧 M31
Opposite M31
M30



对侧 金属部件7#
Opposite Metal part

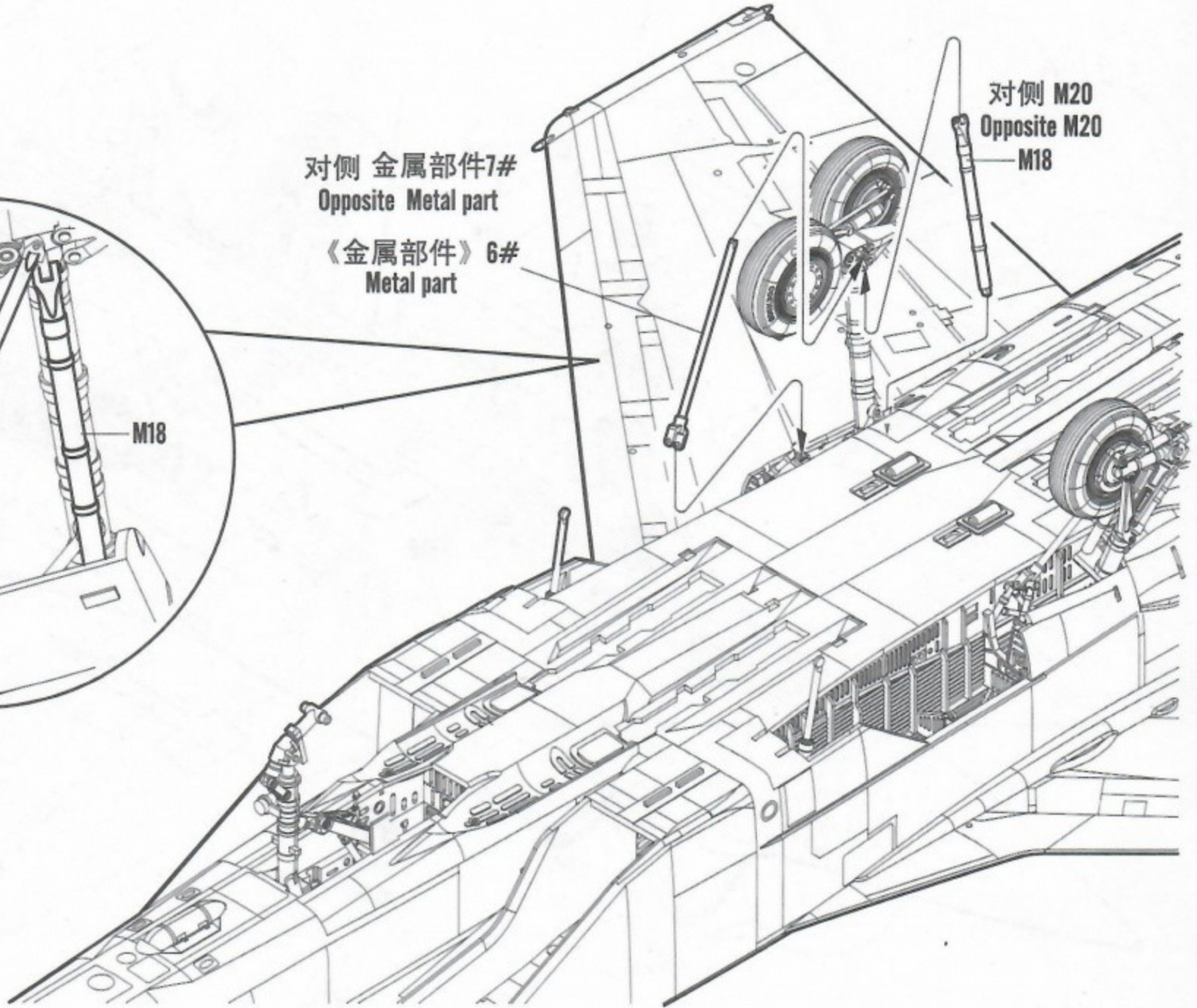
《金属部件》6#
Metal part

对侧 M20
Opposite M20
M18

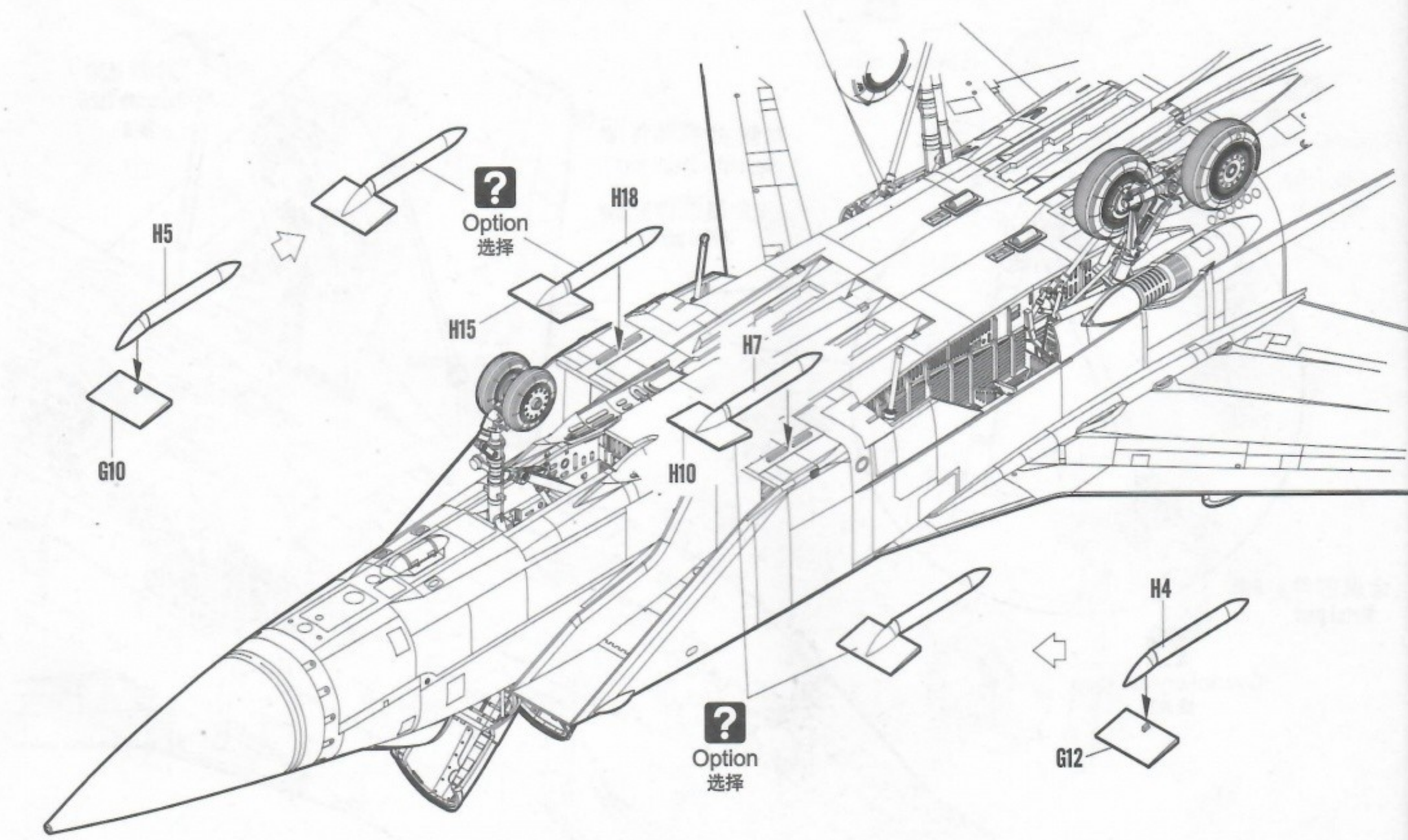
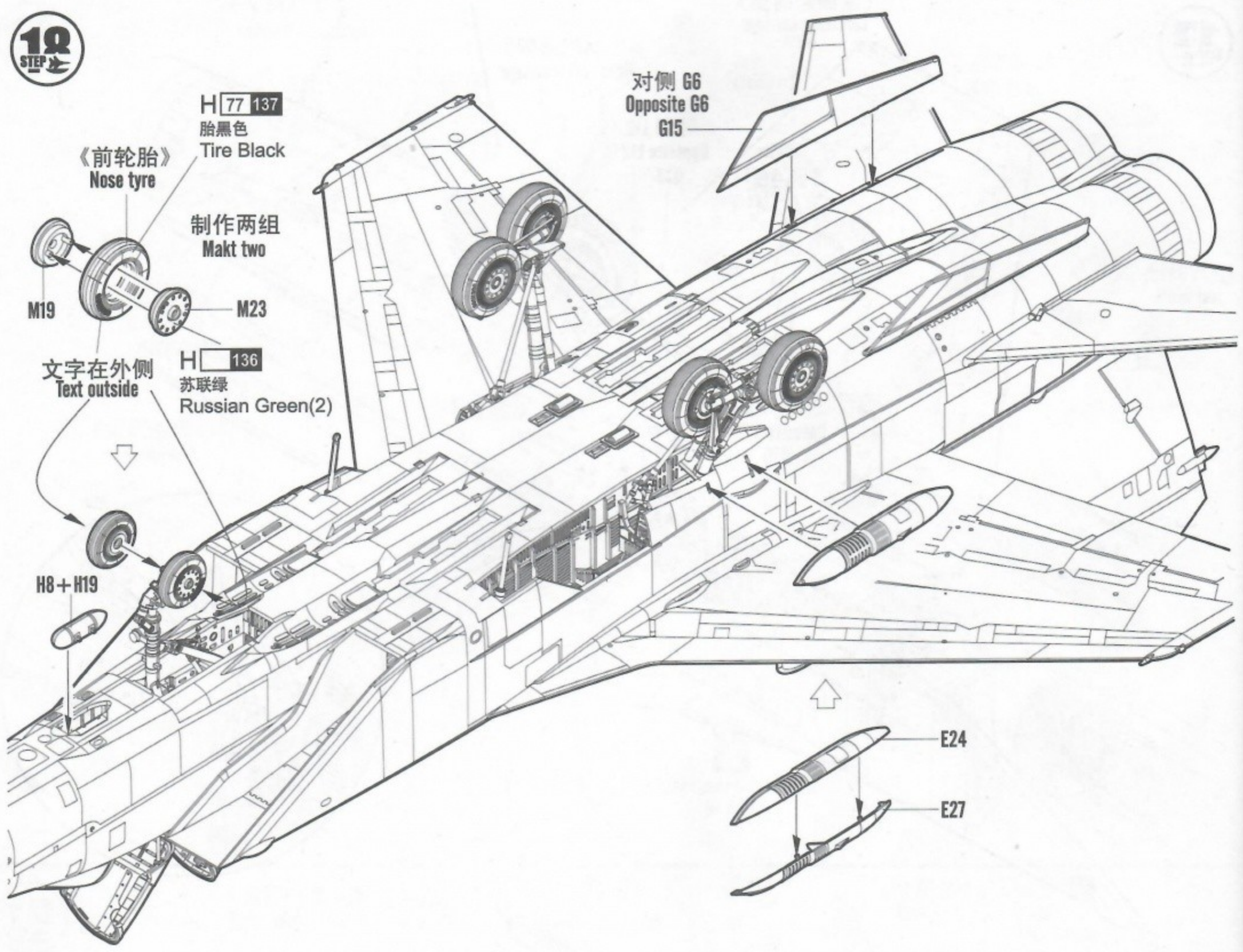


《金属部件》6#
Metal part

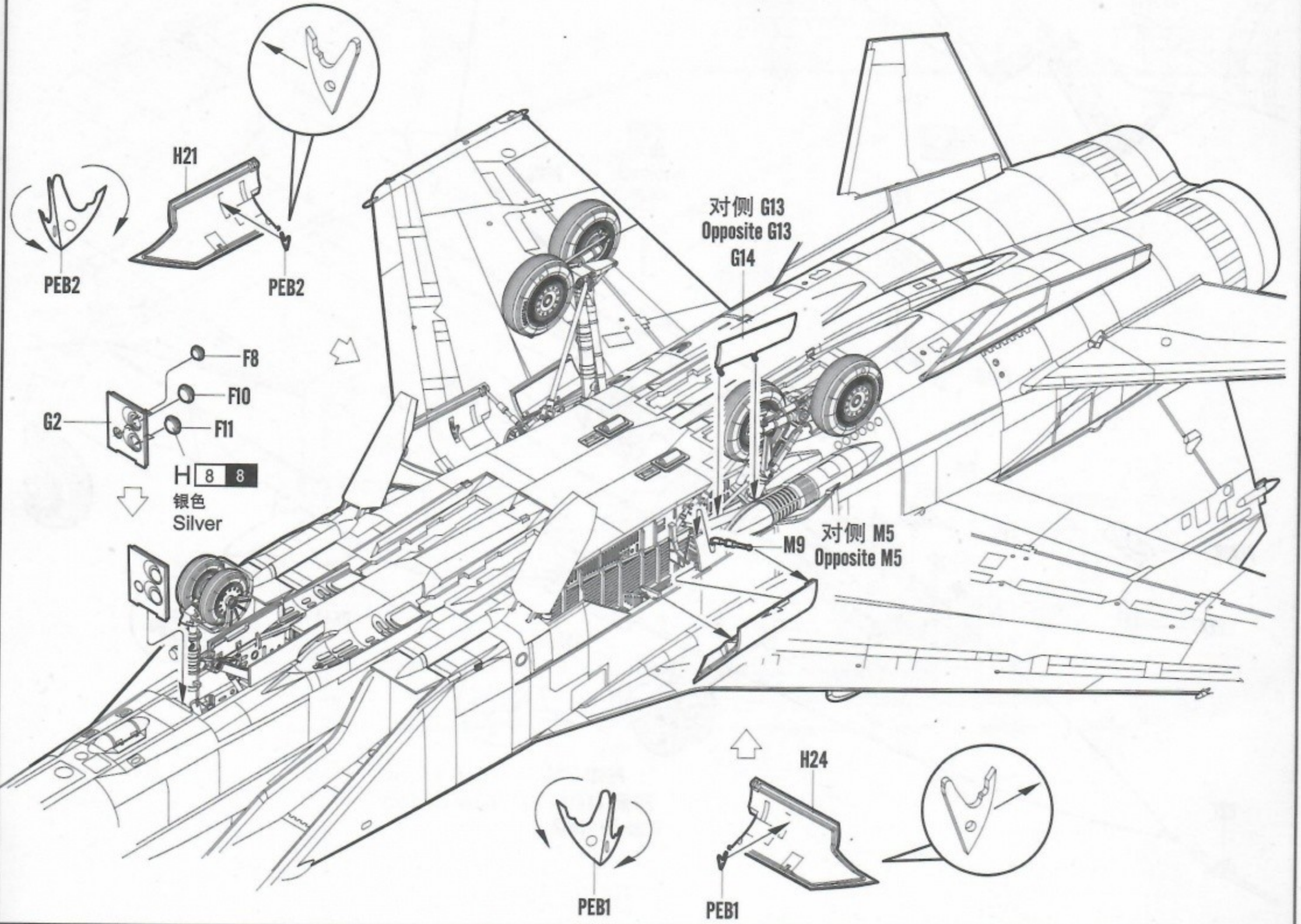
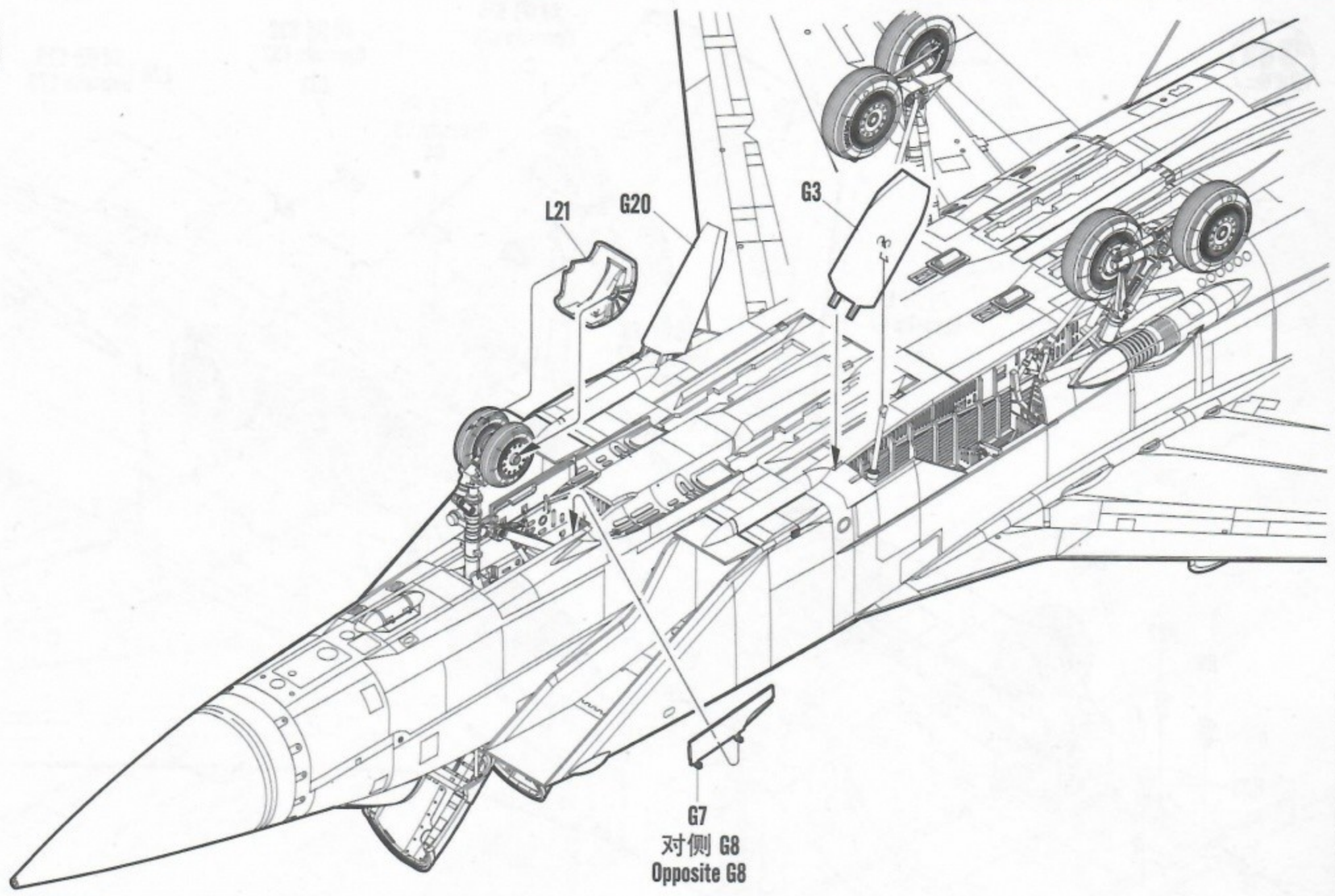
 Cyanoacrylate glue
强力胶

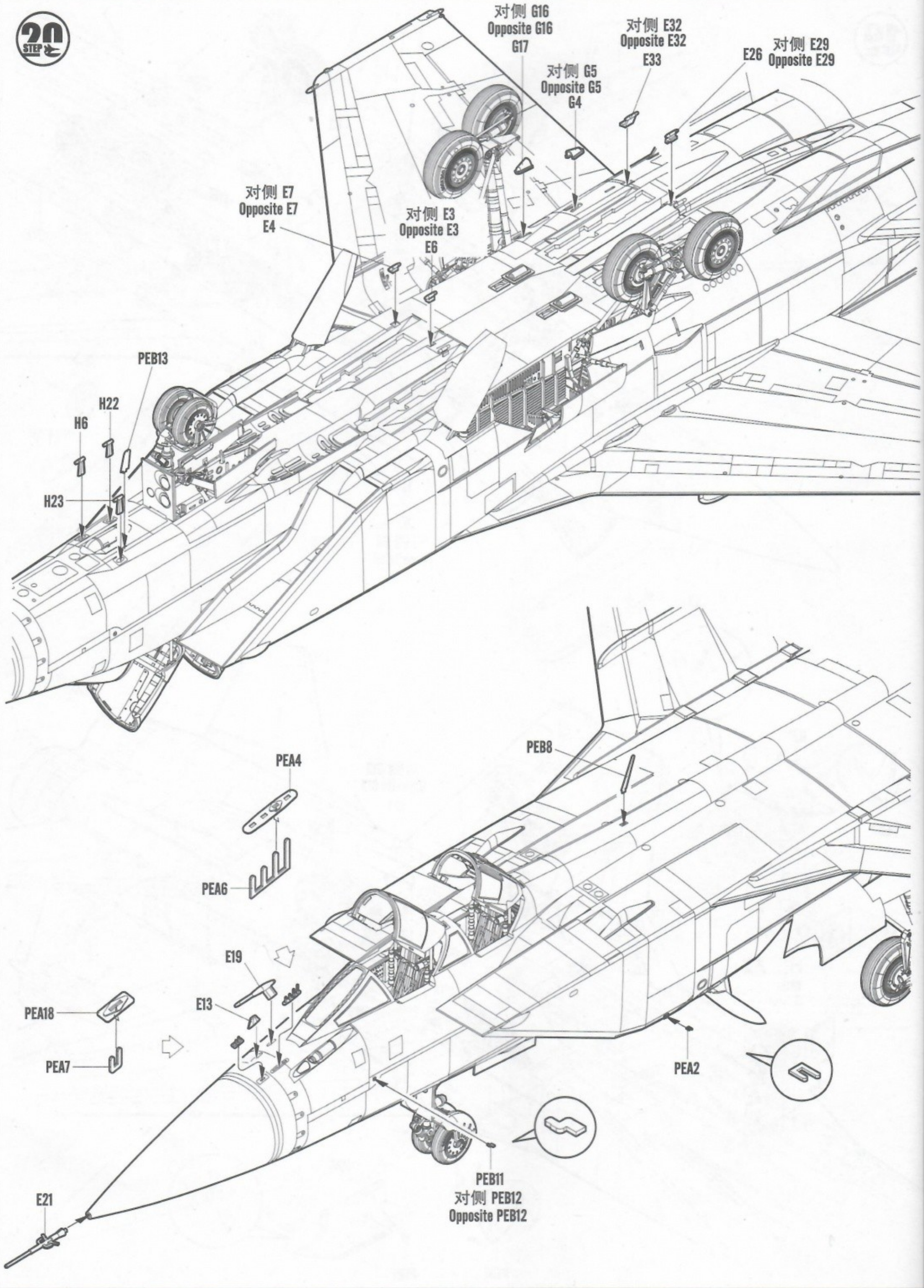


18
STEP

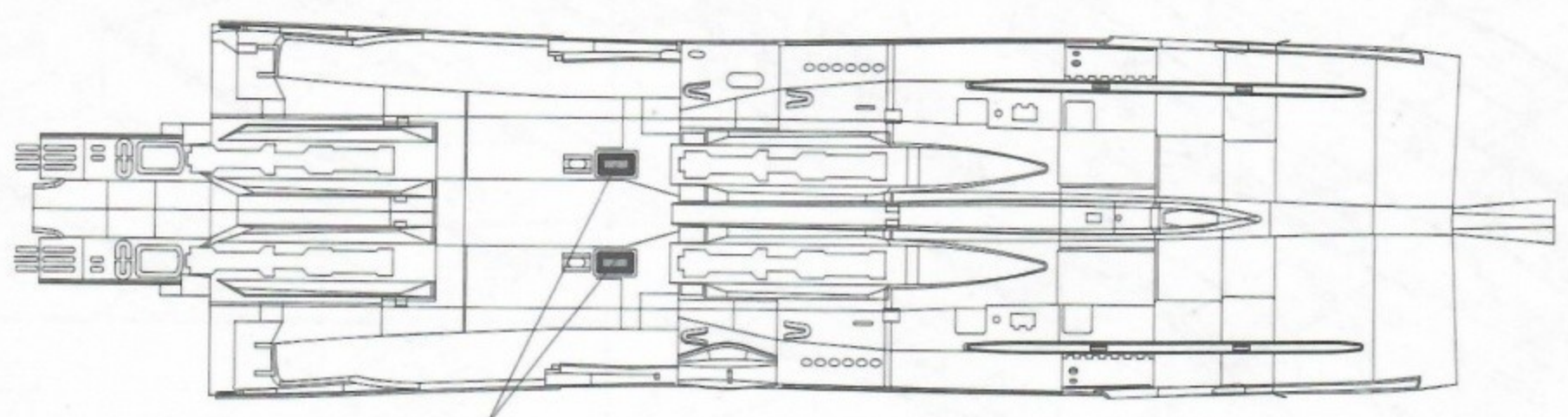
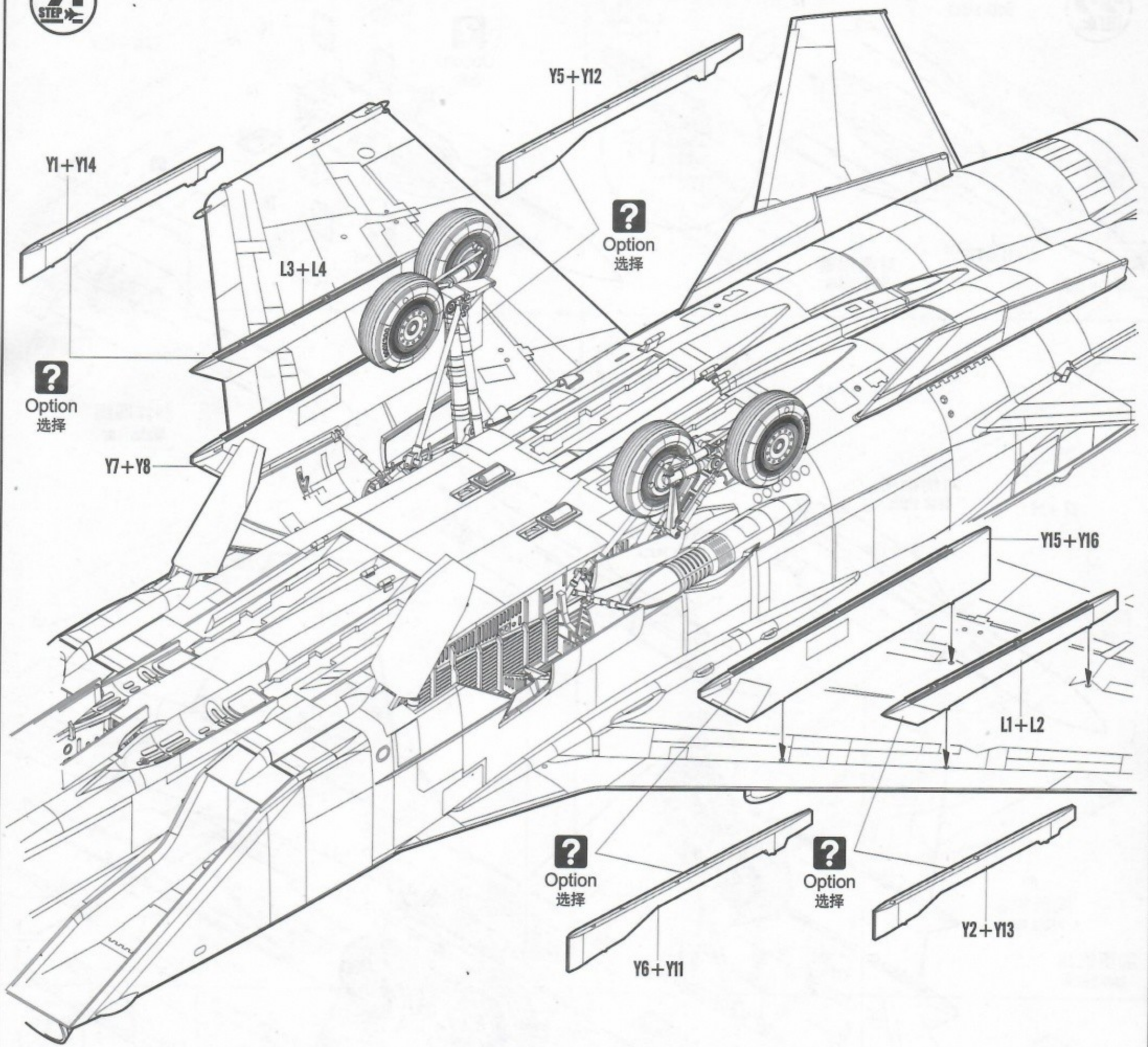


10
STEP





21
STEP

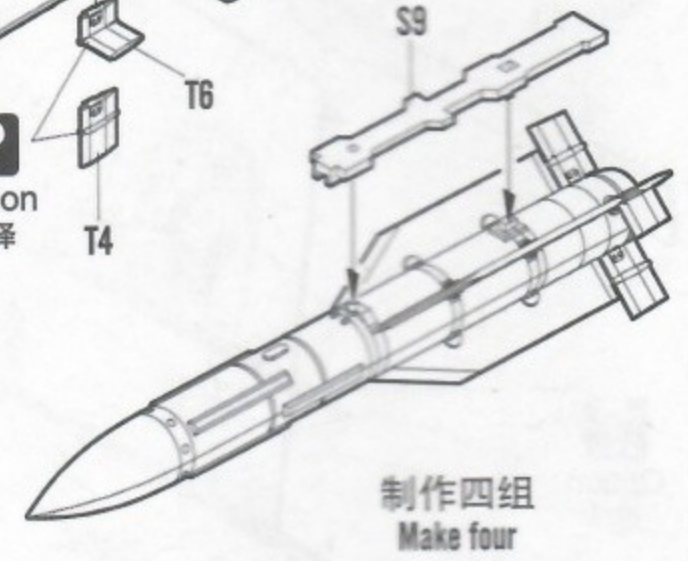
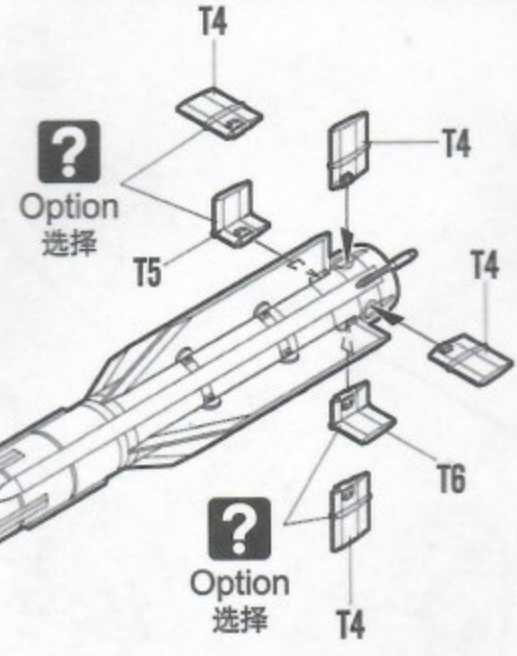
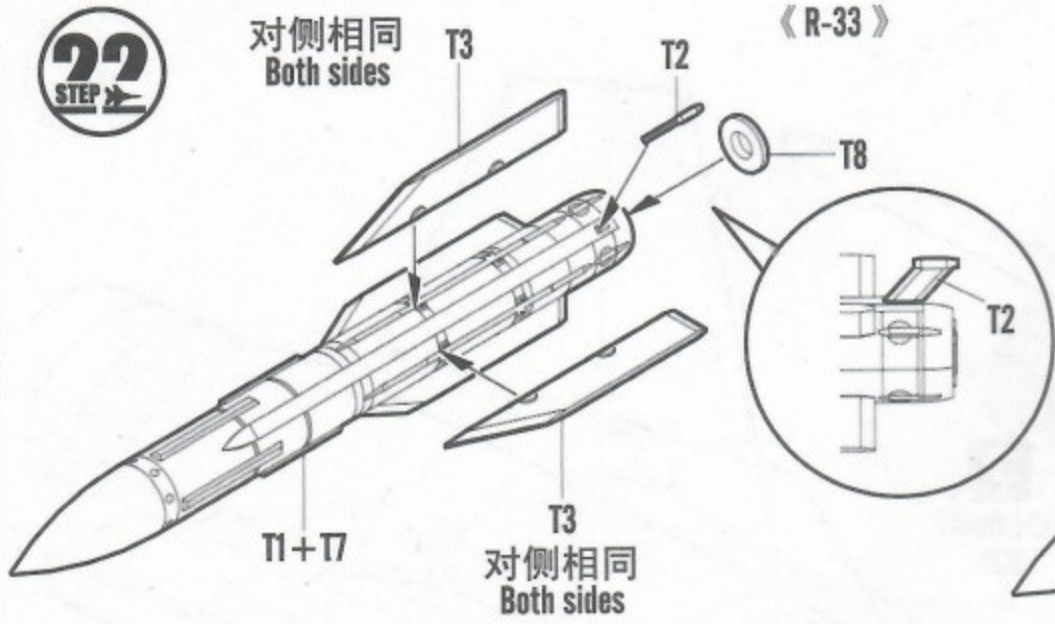


装《R-33》时切除
Cut When install《R-33》

22
STEP

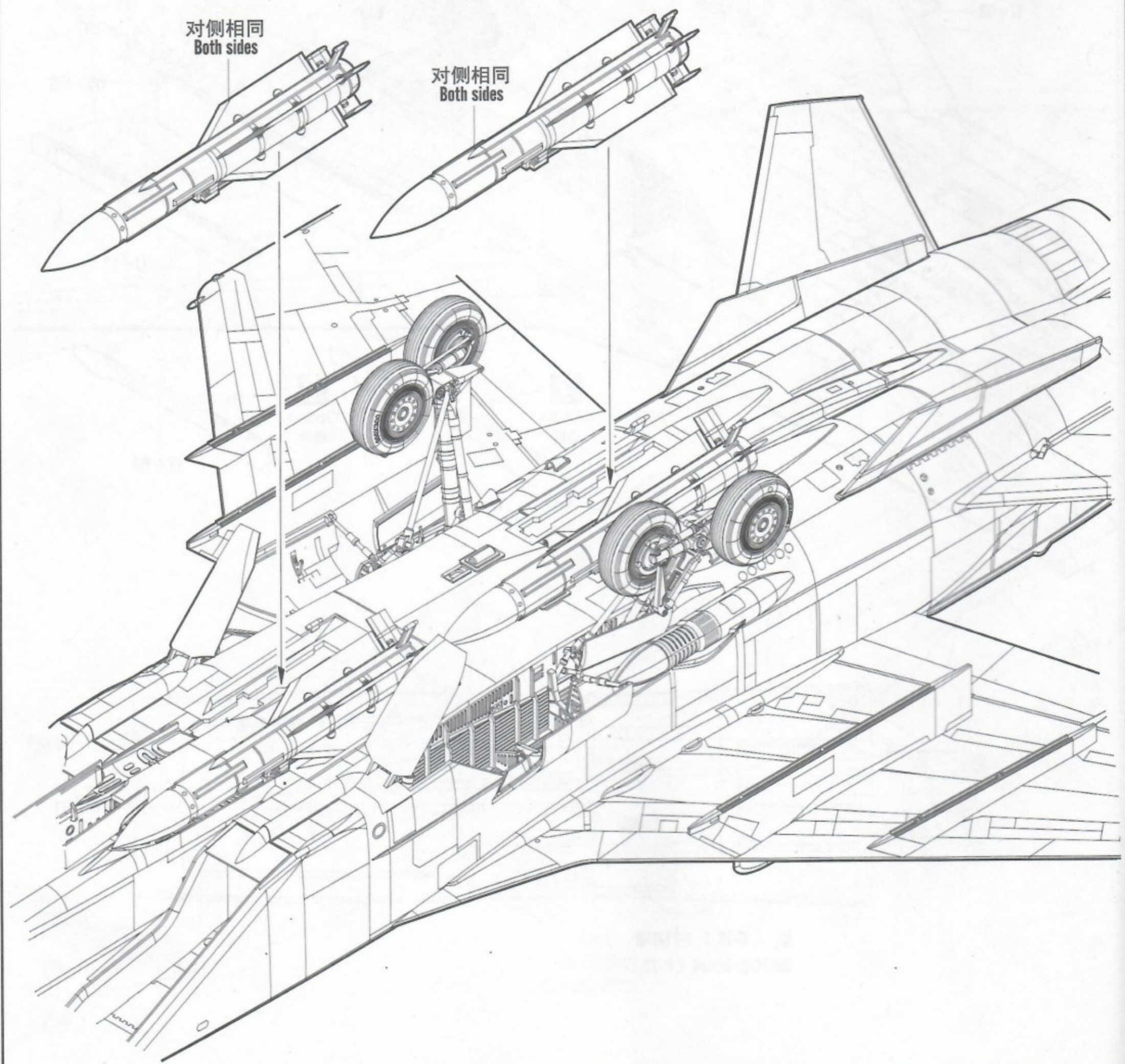
对侧相同
Both sides

《R-33》



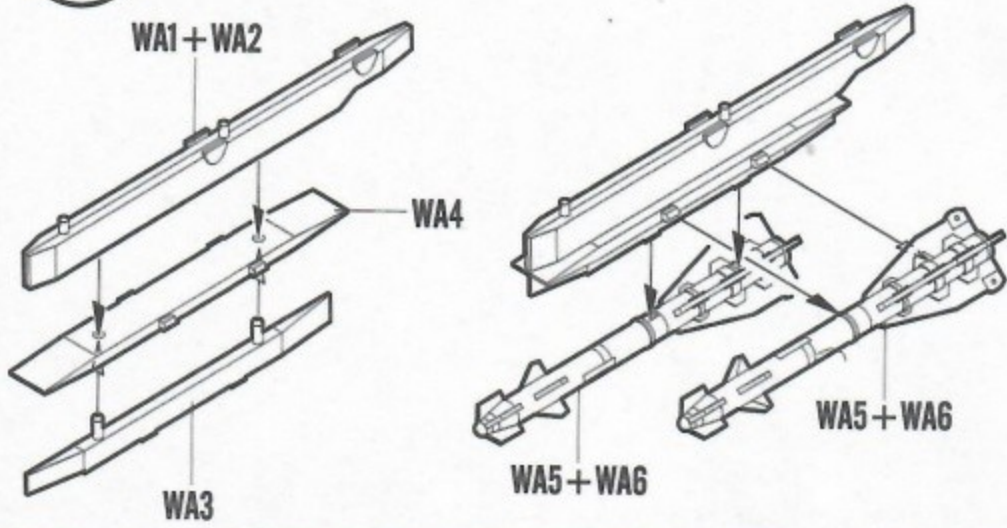
对侧相同
Both sides

对侧相同
Both sides



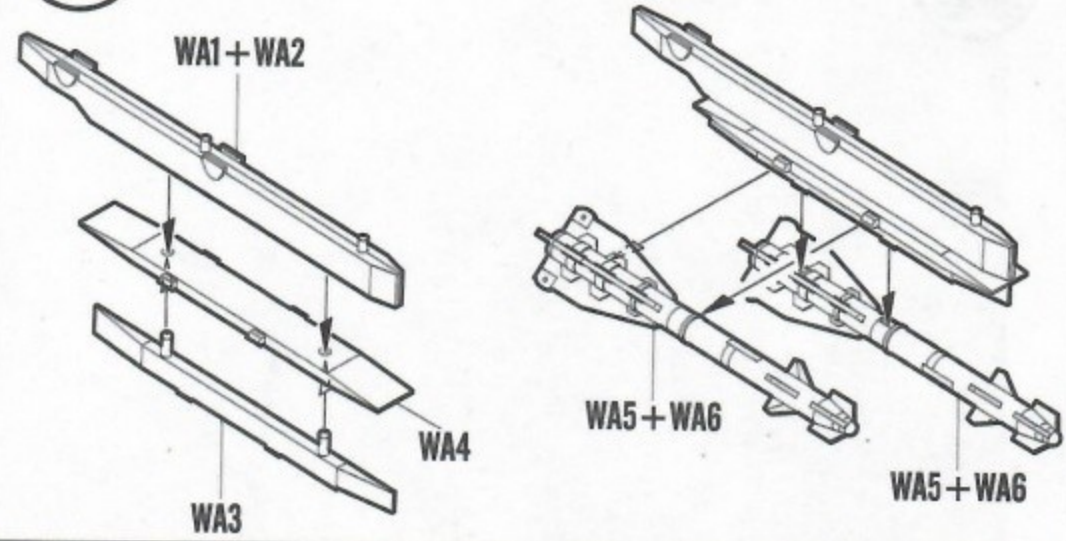
22 STEP

《R-60》-L



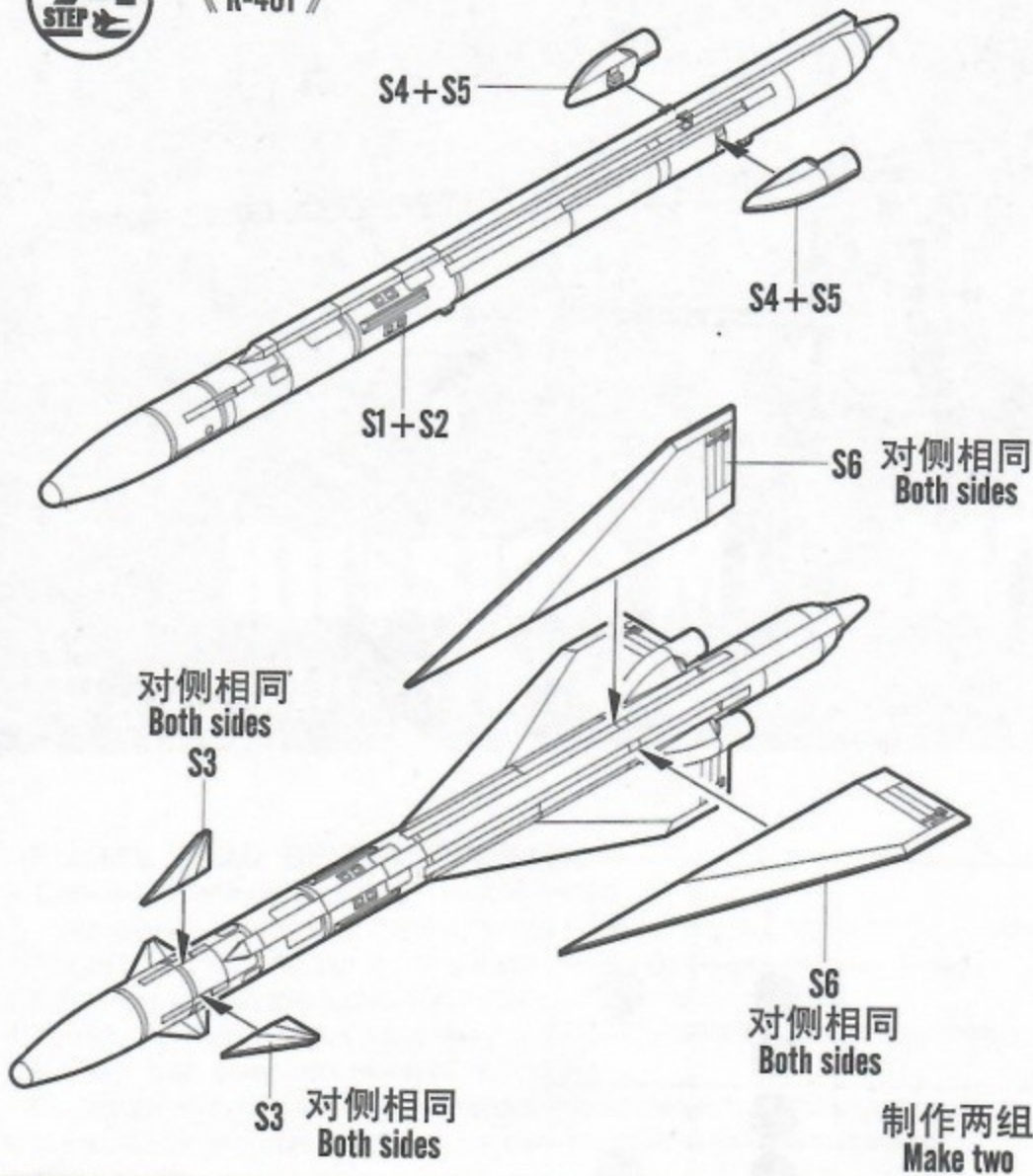
21 STEP

《R-60》-R



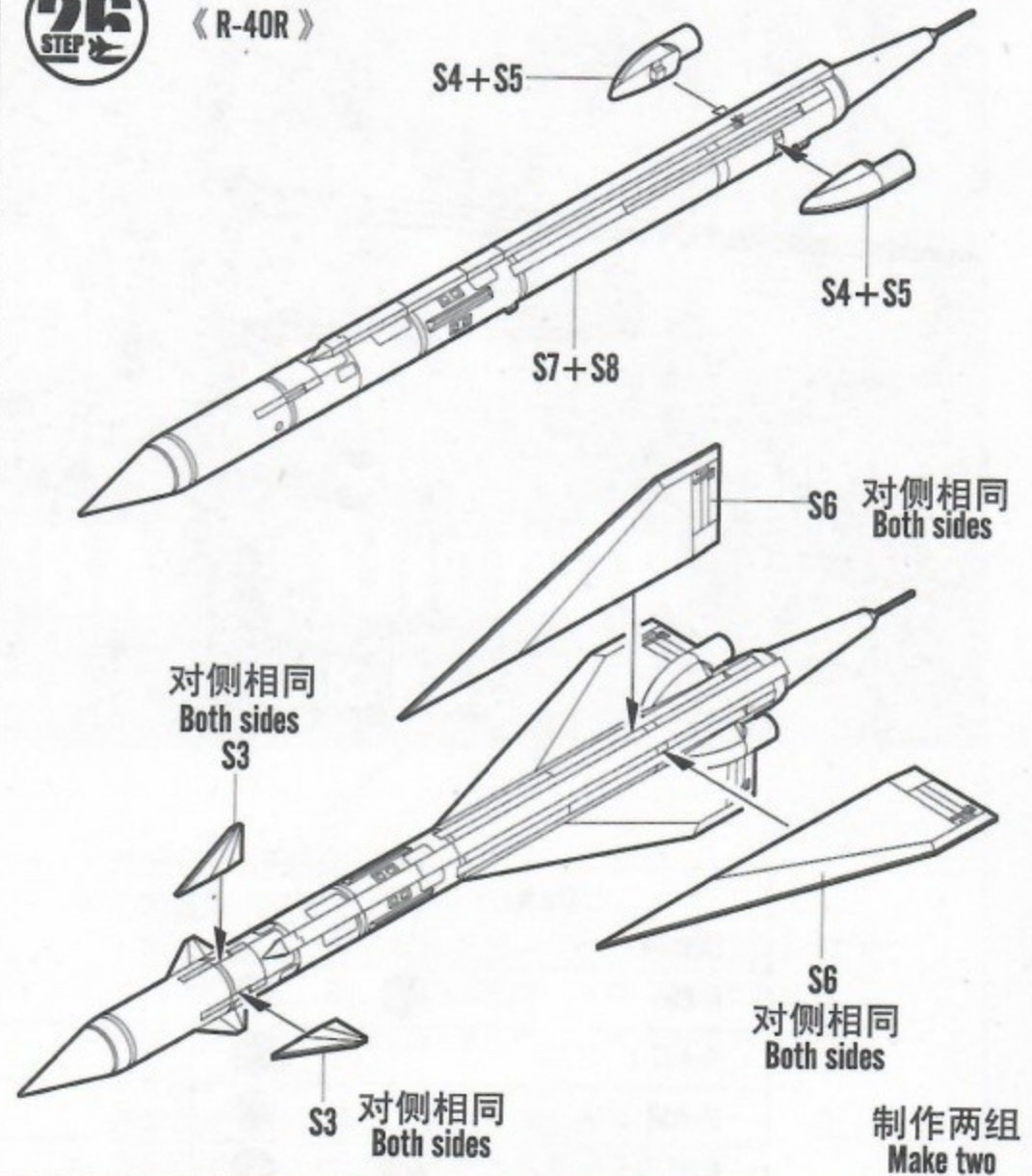
25 STEP

《R-40T》



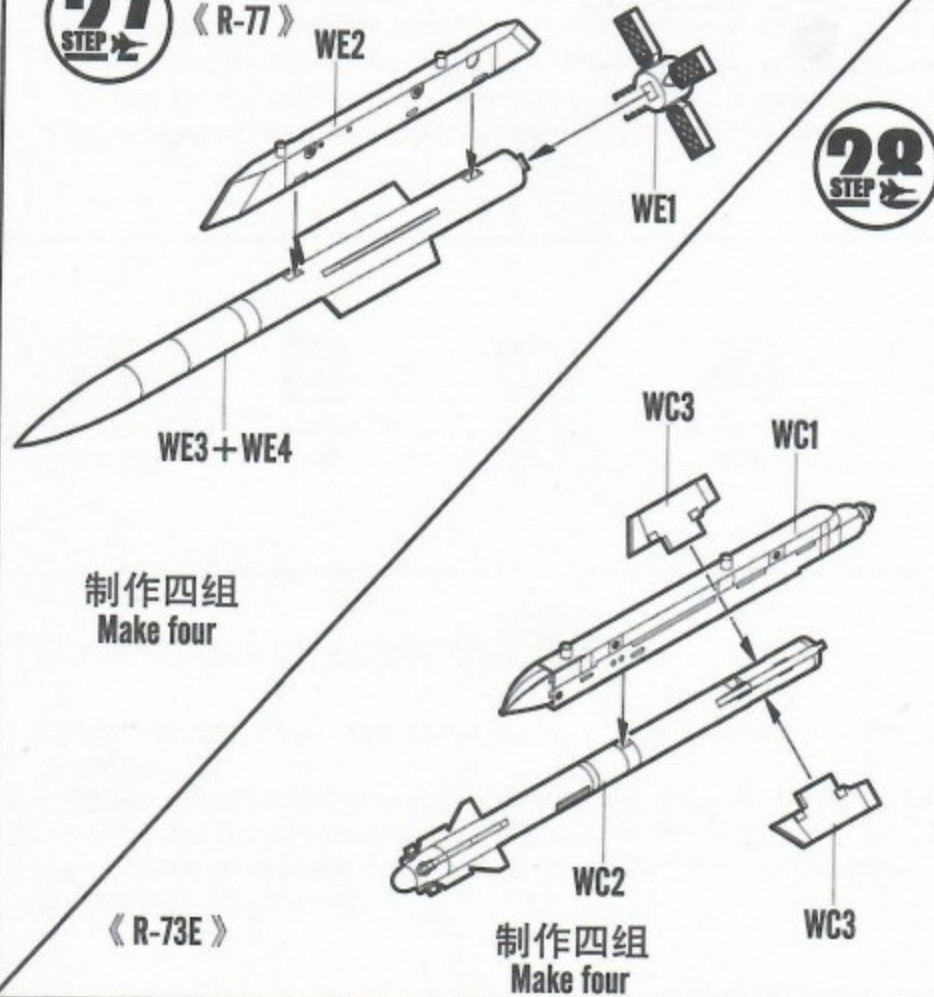
26 STEP

《R-40R》



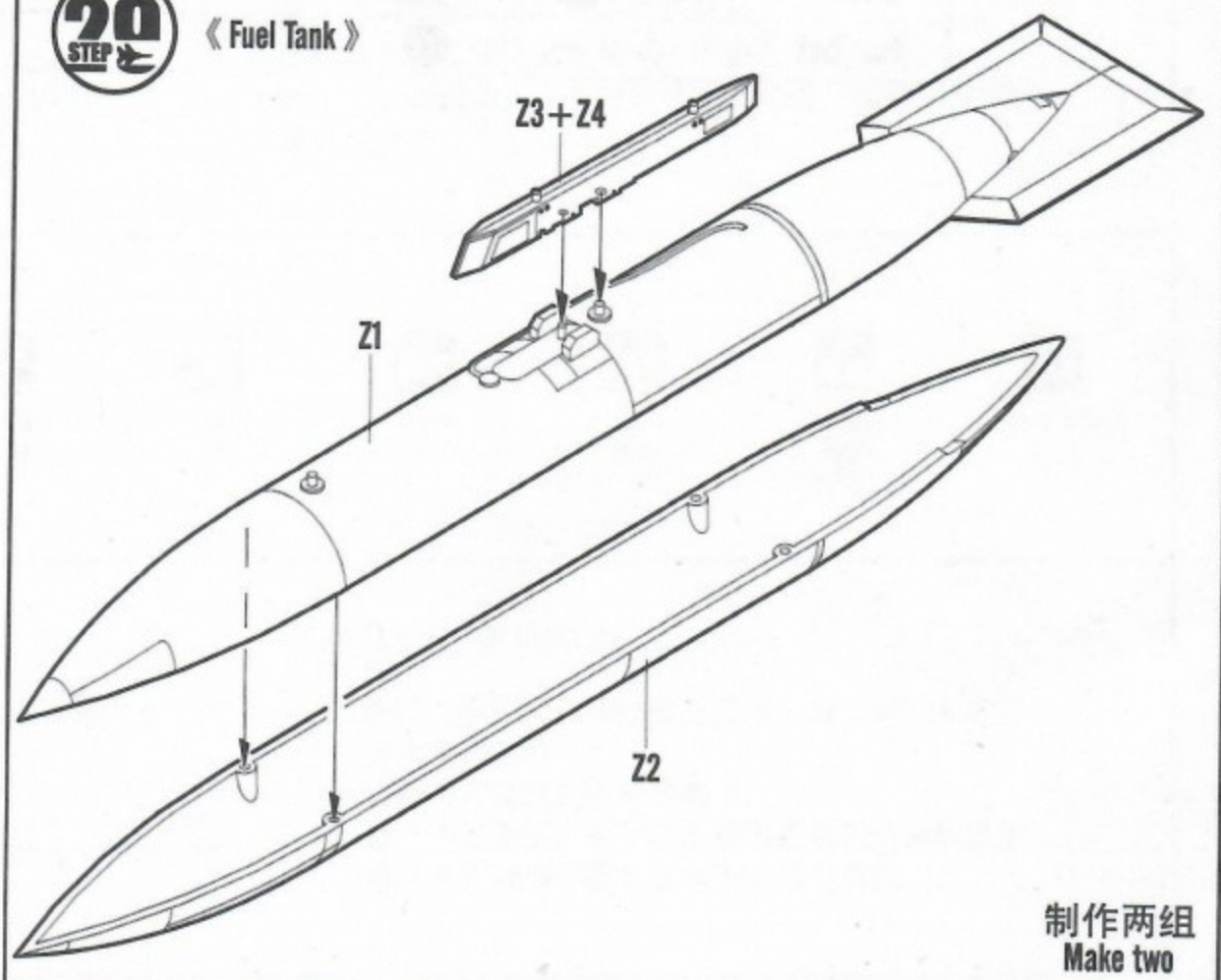
27 STEP

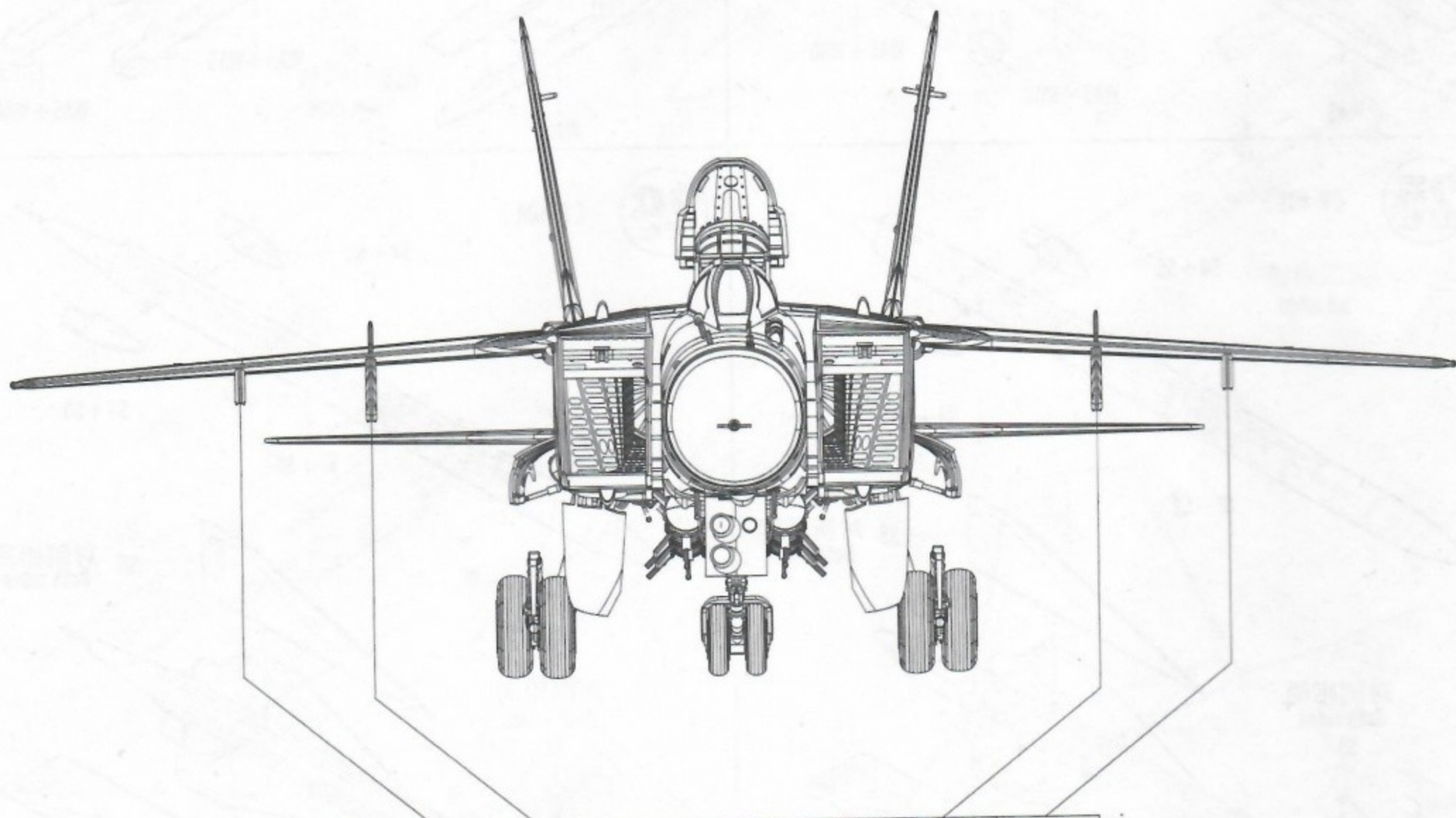
《R-77》



20 STEP

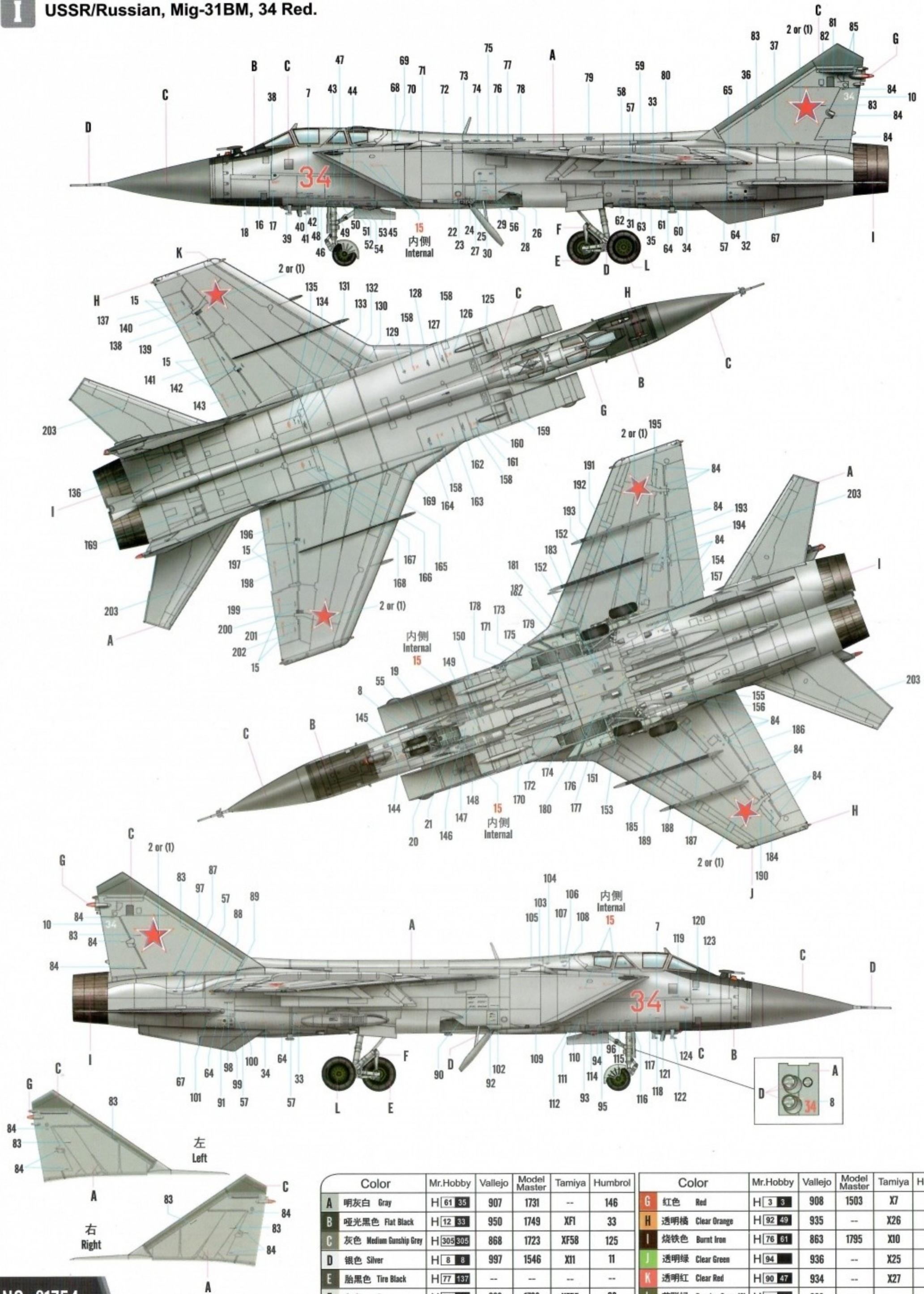
《Fuel Tank》





Sta.No.	1	2	3	4
Missile				
R-60	●	●	●	●
R-40T		●	●	
R-40R		●	●	
R-77	●	●	●	●
R-73E	●	●	●	●
Fuel Tank		●	●	

I USSR/Russian, Mig-31BM, 34 Red.

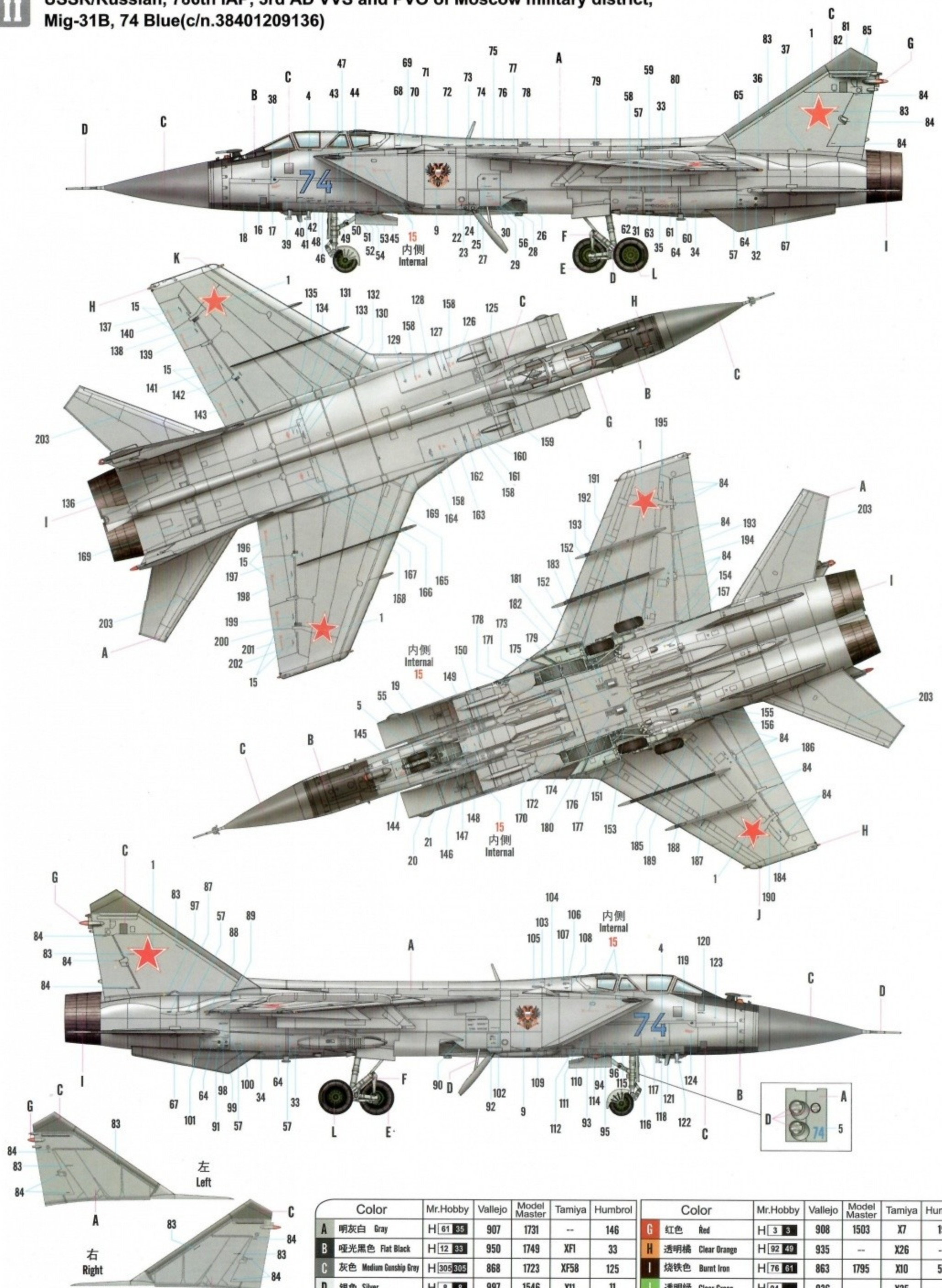


NO.:81754

Color	Mr.Hobby	Vallejo	Model Master	Tamiya	Humbrol	Color	Mr.Hobby	Vallejo	Model Master	Tamiya	Humbrol
A 明灰白 Gray	H[61 35]	907	1731	--	146	G 红色 Red	H[3 3]	908	1503	X7	19
B 哑光黑色 Flat Black	H[12 33]	950	1749	XF1	33	H 透明橘 Clear Orange	H[92 49]	935	--	X26	--
C 灰色 Medium Gunship Grey	H[305 305]	868	1723	XF58	125	I 烧铁色 Burnt Iron	H[76 61]	863	1795	X10	53
D 银色 Silver	H[8 8]	997	1546	X11	11	J 透明绿 Clear Green	H[94]	936	--	X25	--
E 胎黑色 Tire Black	H[77 137]	--	--	--	--	K 透明红 Clear Red	H[90 47]	934	--	X27	--
F 灰色 Grey	H[311 311]	883	1733	XF55	28	L 苏联绿 Russian Green(2)	H[] 136	823	--	--	--

* Some paints may not be available in your country. Please check your local hobby shop for substitute

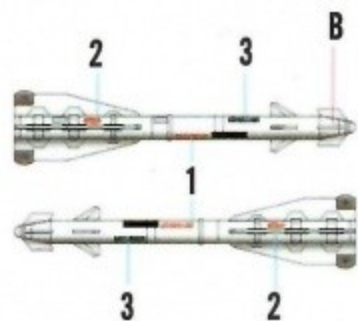
II USSR/Russian, 786th IAP, 3rd AD VVS and PVO of Moscow military district, Mig-31B, 74 Blue(c/n.38401209136)



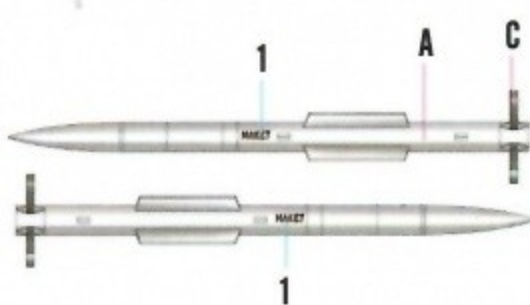
Color	Mr.Hobby	Vallejo	Model Master	Tamiya	Humbrol	Color	Mr.Hobby	Vallejo	Model Master	Tamiya	Humbrol
A 明灰白 Gray	H[61 35]	907	1731	--	146	G 红色 Red	H[3 3]	908	1503	X7	19
B 哑光黑色 Flat Black	H[12 33]	950	1749	XF1	33	H 透明橘 Clear Orange	H[92 49]	935	--	X26	--
C 灰色 Median Gunship Grey	H[305 305]	868	1723	XF58	125	I 烧铁色 Burnt Iron	H[76 61]	863	1795	X10	53
D 银色 Silver	H[8 8]	997	1546	X11	11	J 透明绿 Clear Green	H[94 136]	936	--	X25	--
E 胎黑色 Tire Black	H[77 137]	--	--	--	--	K 透明红 Clear Red	H[90 47]	934	--	X27	--
F 灰色 Grey	H[311 311]	883	1733	XF55	28	L 苏联绿 Russian Green(2)	H[136 136]	823	--	--	--

III

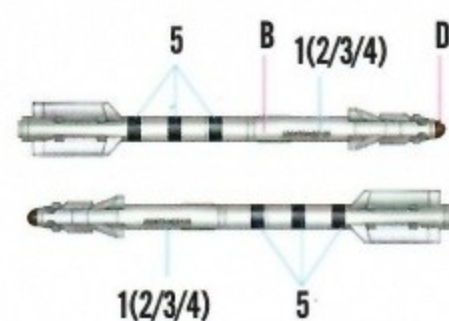
R-60 x4



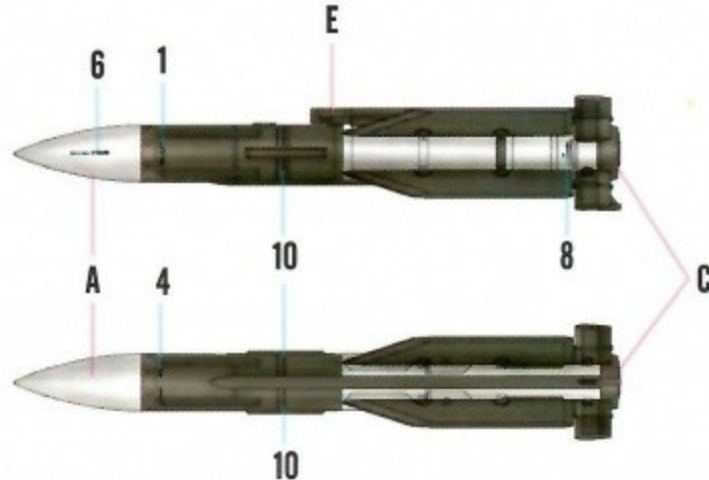
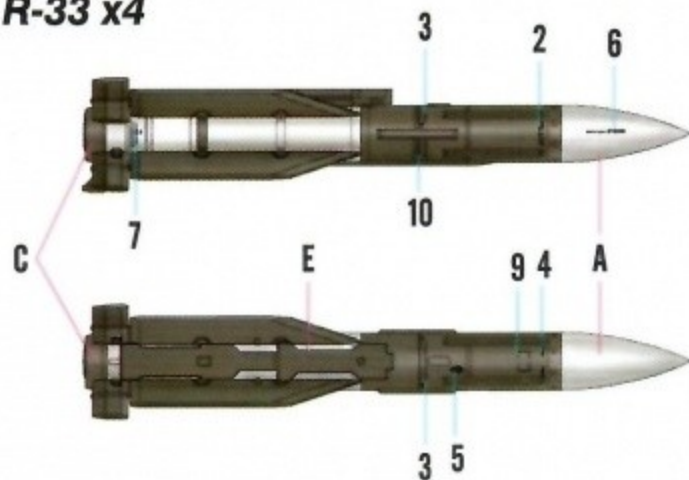
R-77 x2



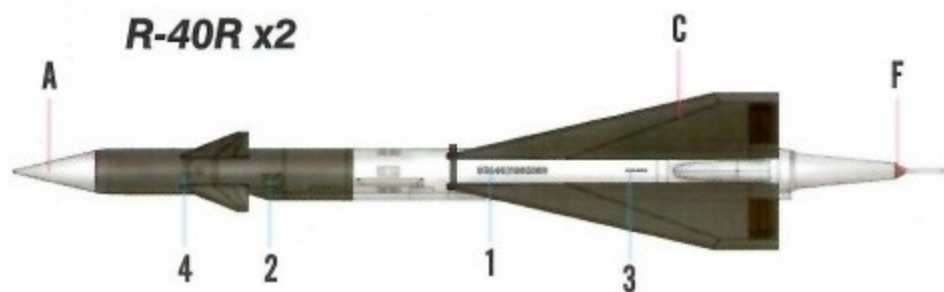
R-73E x2



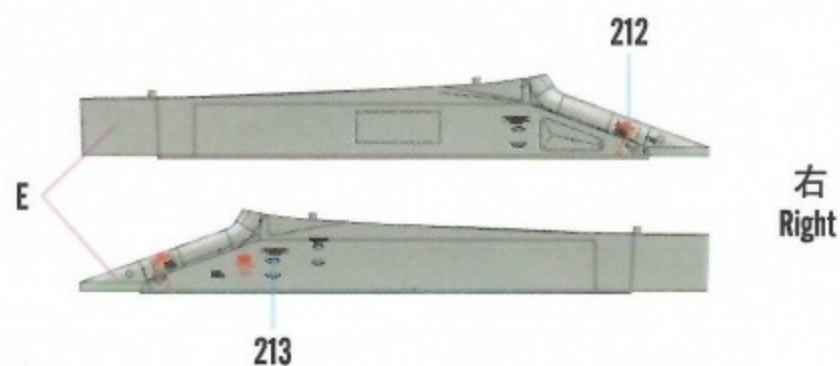
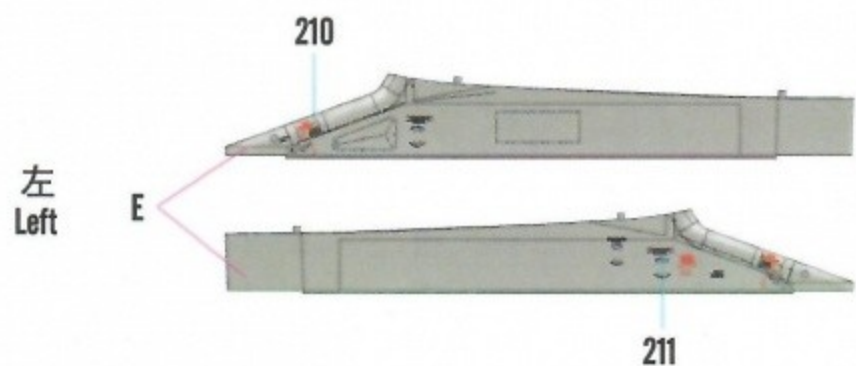
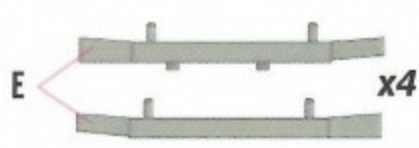
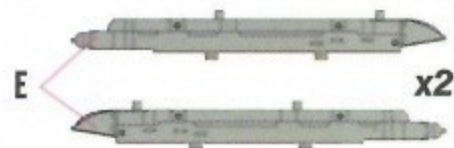
R-33 x4



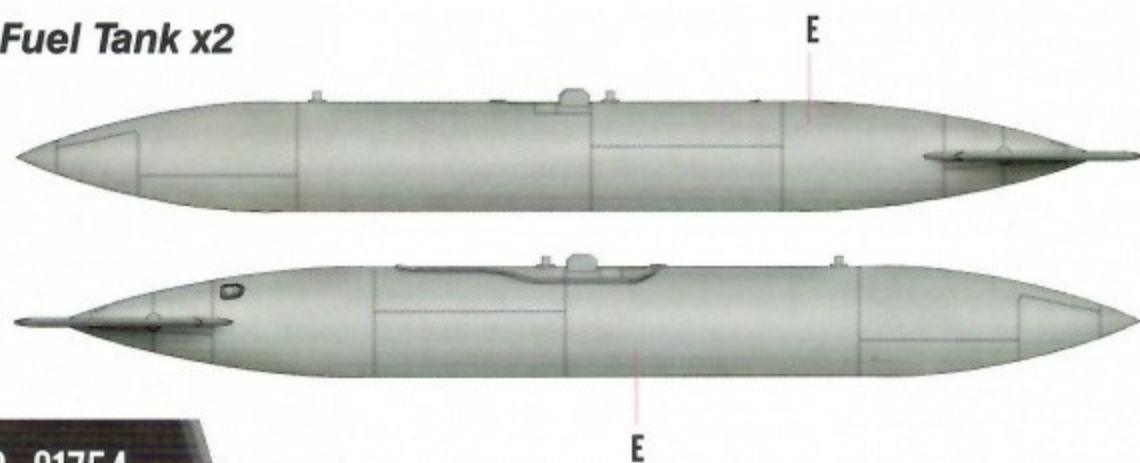
R-40R x2



R-40T x2



Fuel Tank x2



	Color	Mr.Hobby	Vallejo	Model Master	Tamiya	Humbrol
A	白色 White	H 1 1	842	1745	XF2	22
B	白色 White Insignia	H 316 316	991	1745	X2	22
C	黑(哑光) Flat Black	H 12 33	950	1749	XF1	33
D	烟灰色 Smoke Blue	H 95 101	--	--	--	--
E	明灰白 Gray	H 61 35	907	1731	--	146
F	红色 Red	H 3 3	908	1503	X7	19