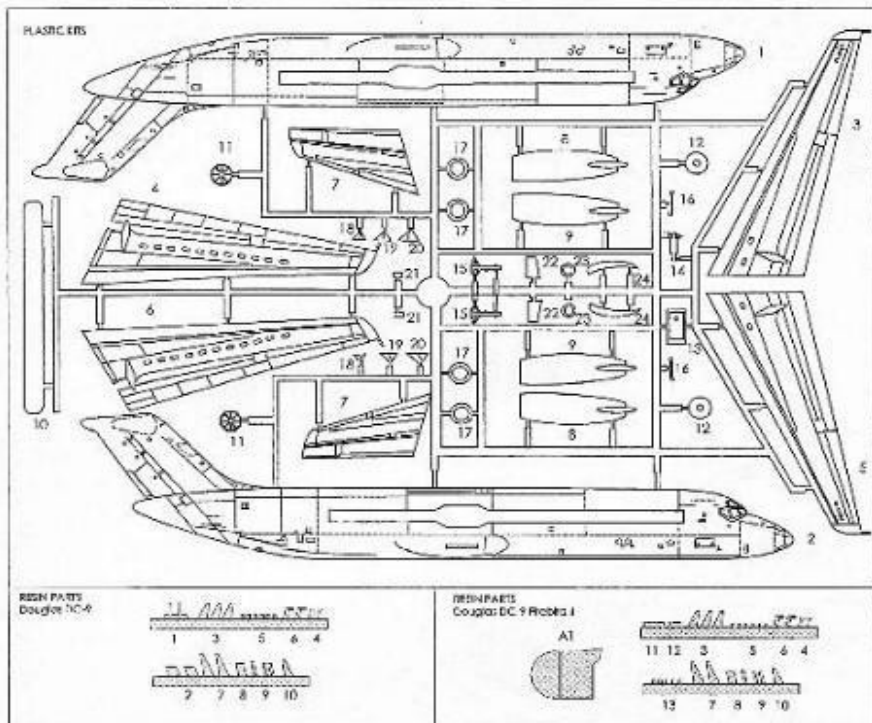


FLY

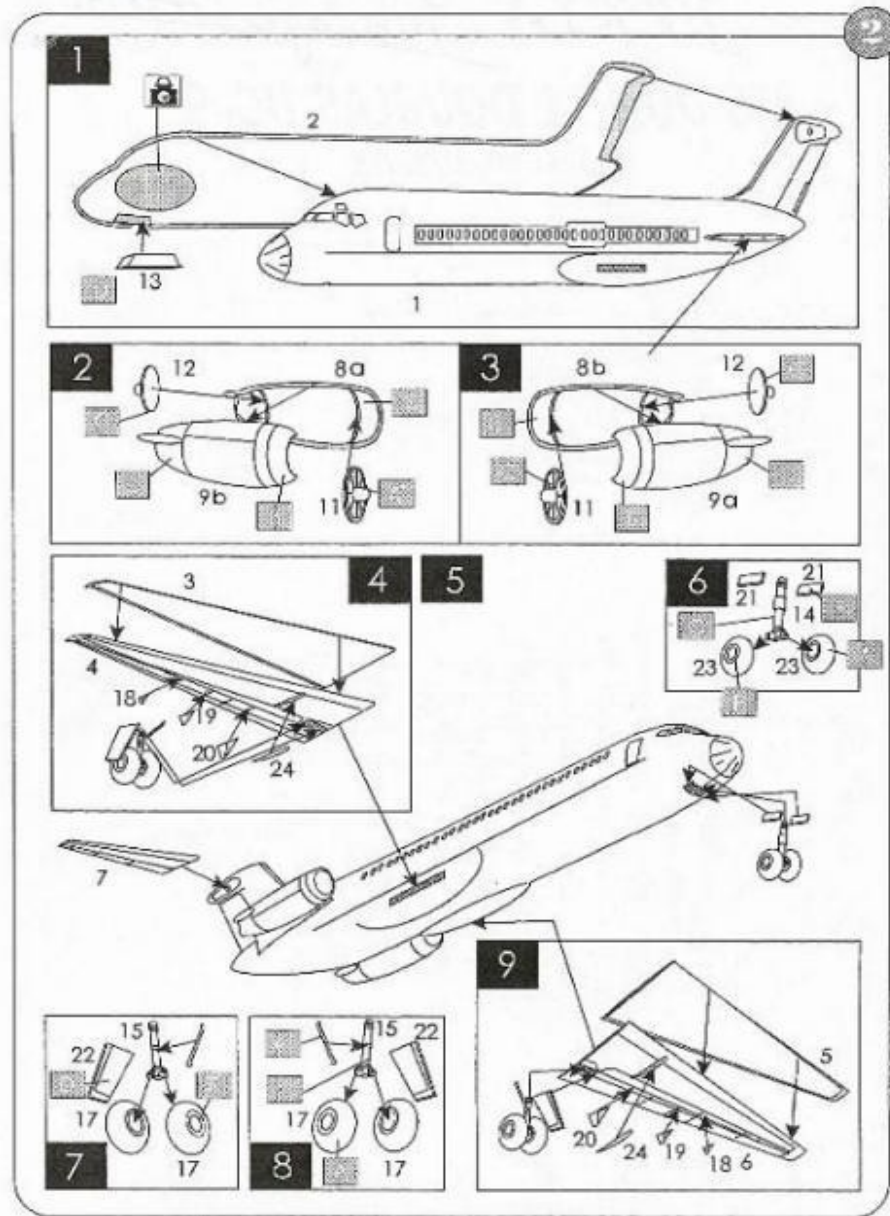
1/144

MC DONELL DOUGLAS DC-9

MODEL 30/31/32/33



NUMBER	COLOUR	COLOUR NAME
A	H 33	Black
B	H 11	Silver
C	H-270002	Polished Aluminium
D	H-270003	Polished Steel
E	H 34	White

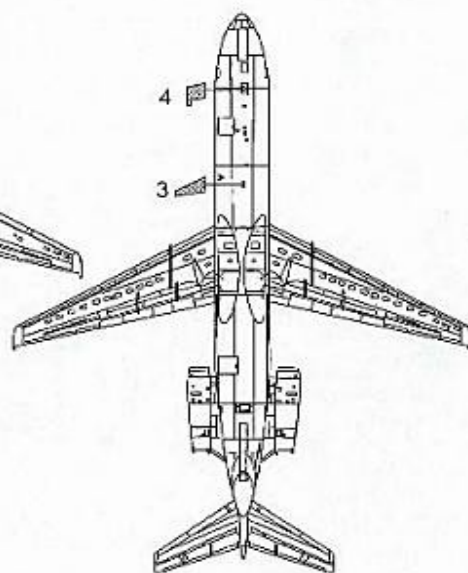
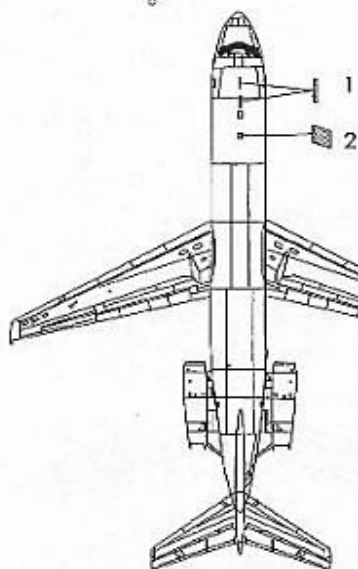
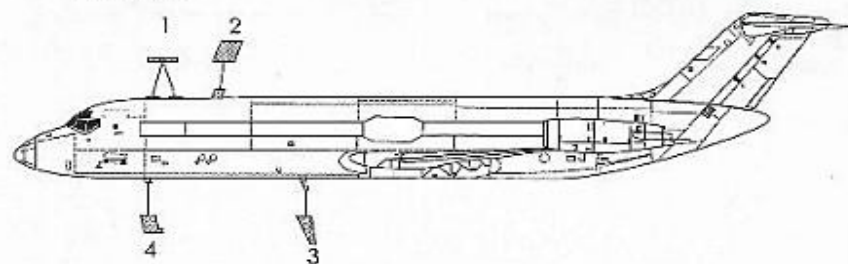


10

Douglas DC-9-32

3

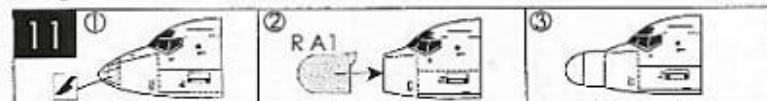
Resin parts



Douglas DC-9-31 Firebird II

1

11



12

Resin parts

