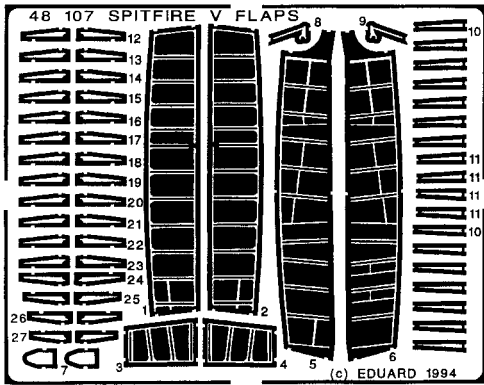







SPITFIRE V flaps

48 107

1/48th scale detail set for HASEGAWA kit

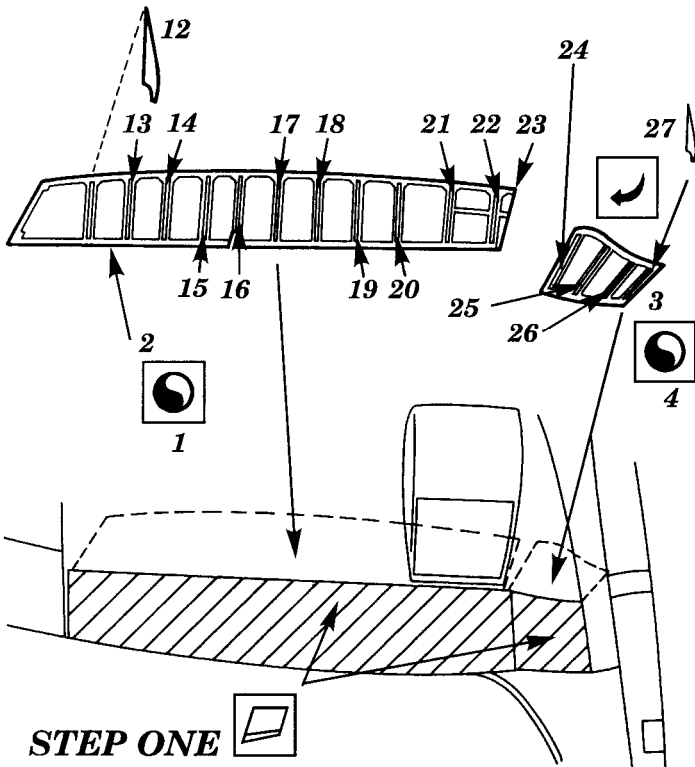


-  OPPOSITE SIDE
-  REMOVE
-  BEND

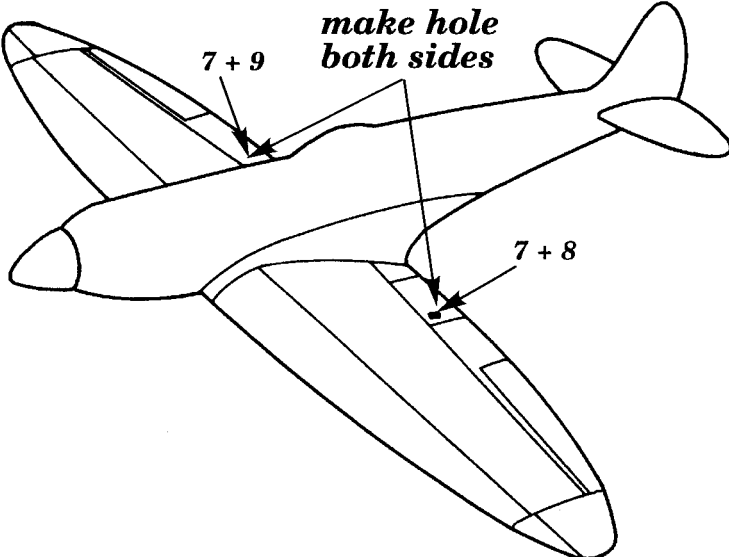
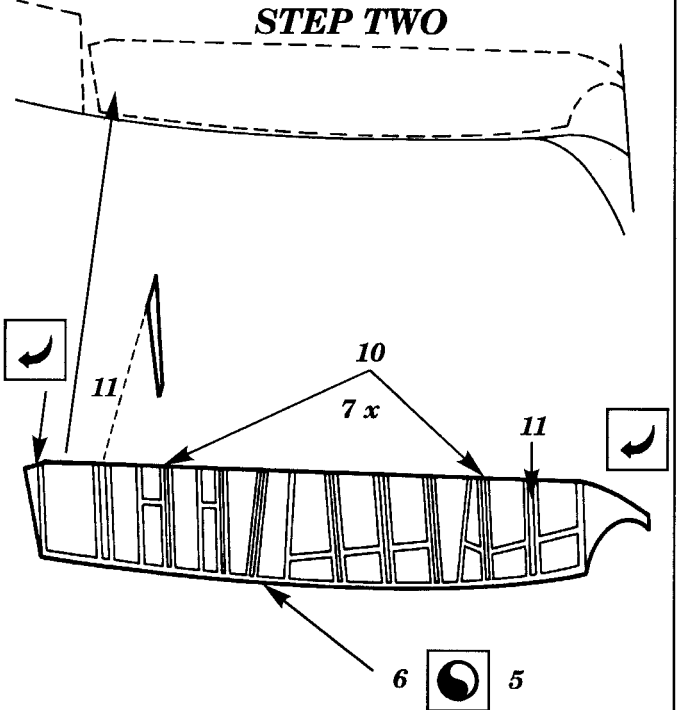
CAUTION!

PHOTO-ETCHED PARTS CAN BE ONLY GLUED WITH CYANOACRYLATE GLUE. WORK IN A WELL VENTILATED AREA. DON'T INHALE WAPORS, SINCE THESE CAN BE HARMFULL. WASH YOUR HANDS AFTER USING.

FLAPS BOTTOM VIEW



WING BOTTOM VIEW



LANDING FLAP MECHANISM CUTAWAY

