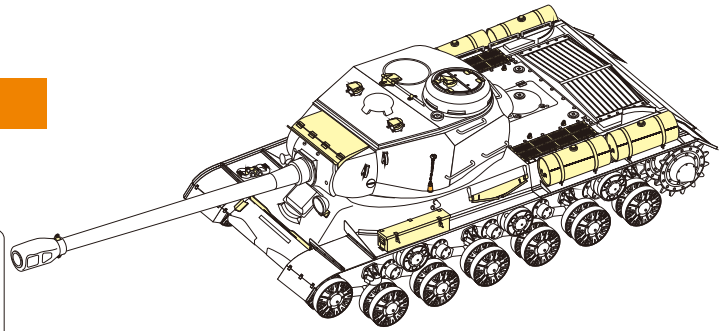


1/35 MILITARY MINIATURE VEHICLE UPGRADE SERIES PE351154

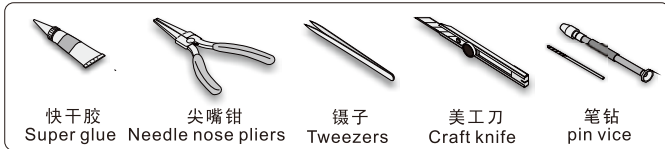
WWII Russian JS-2 tank Basic

二战苏军JS-2坦克基本改造件


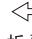








[For TAMIYA 35289]




推荐使用工具 RECOMMENDED TOOLS

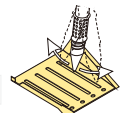
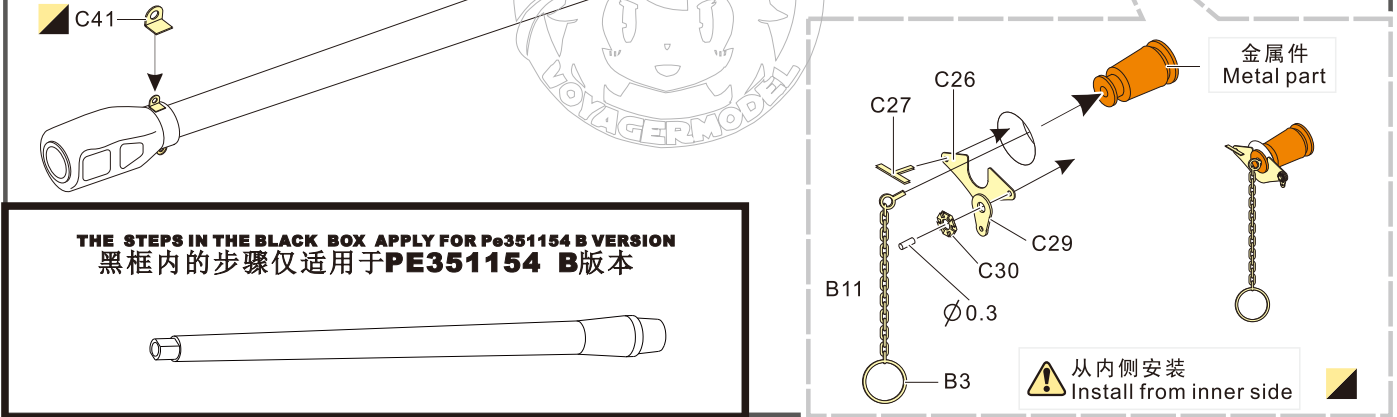
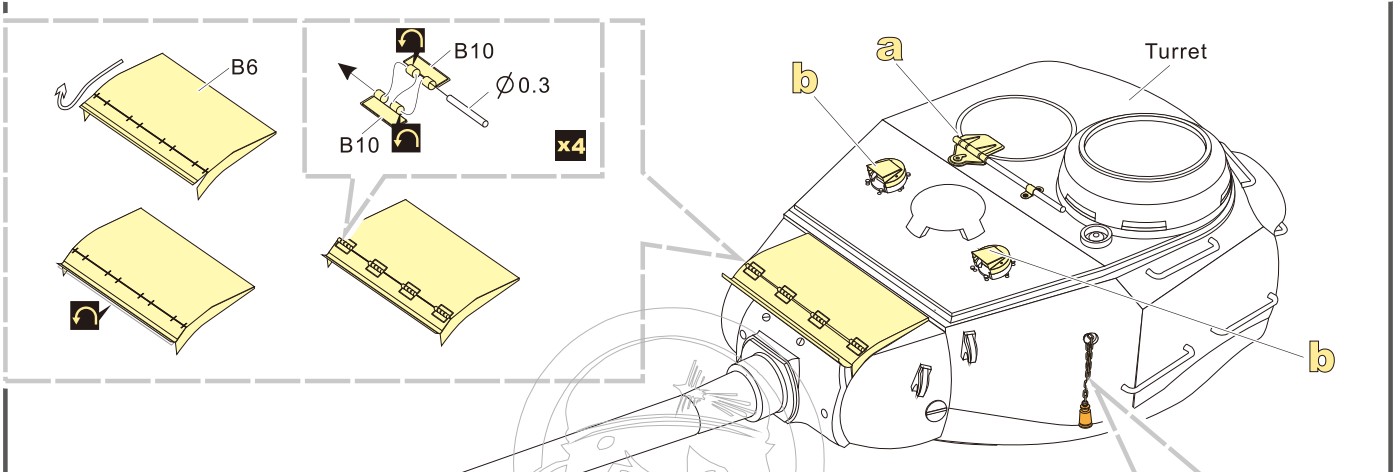
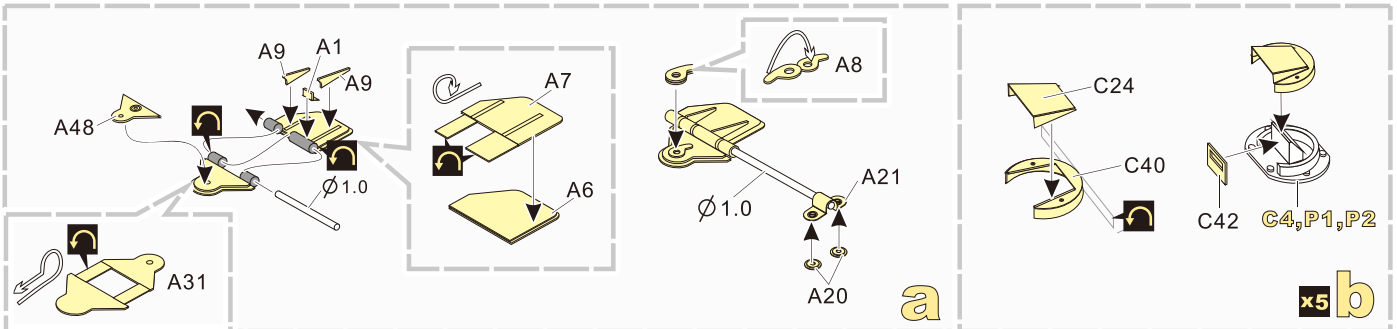


快干胶 Super glue 尖嘴钳 Needle nose pliers 镊子 Tweezers 美工刀 Craft knife 笔钻 pin vice

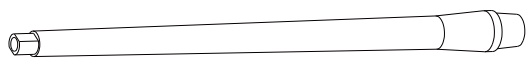
- 
安装
install
- 
折叠
bend
- A1**
改造件零件编号
PE/resin part number
- B12**
原零件编号
kit part number
- C22**
被替换的原零件编号
replaced kit part number
- 
 另一侧相同制作
repeat on opposite side
- 
切除
remove
- 
打磨
grind off
- 
弧度卷曲
radial bending
- 
制作若干组
multiple assembly
- 
选择安装
alternative
- 
钻孔
drill
- 
用胶棒制作
make from plastic rod


 用尖端在凹槽处冲压
use penpoint to press on the dent

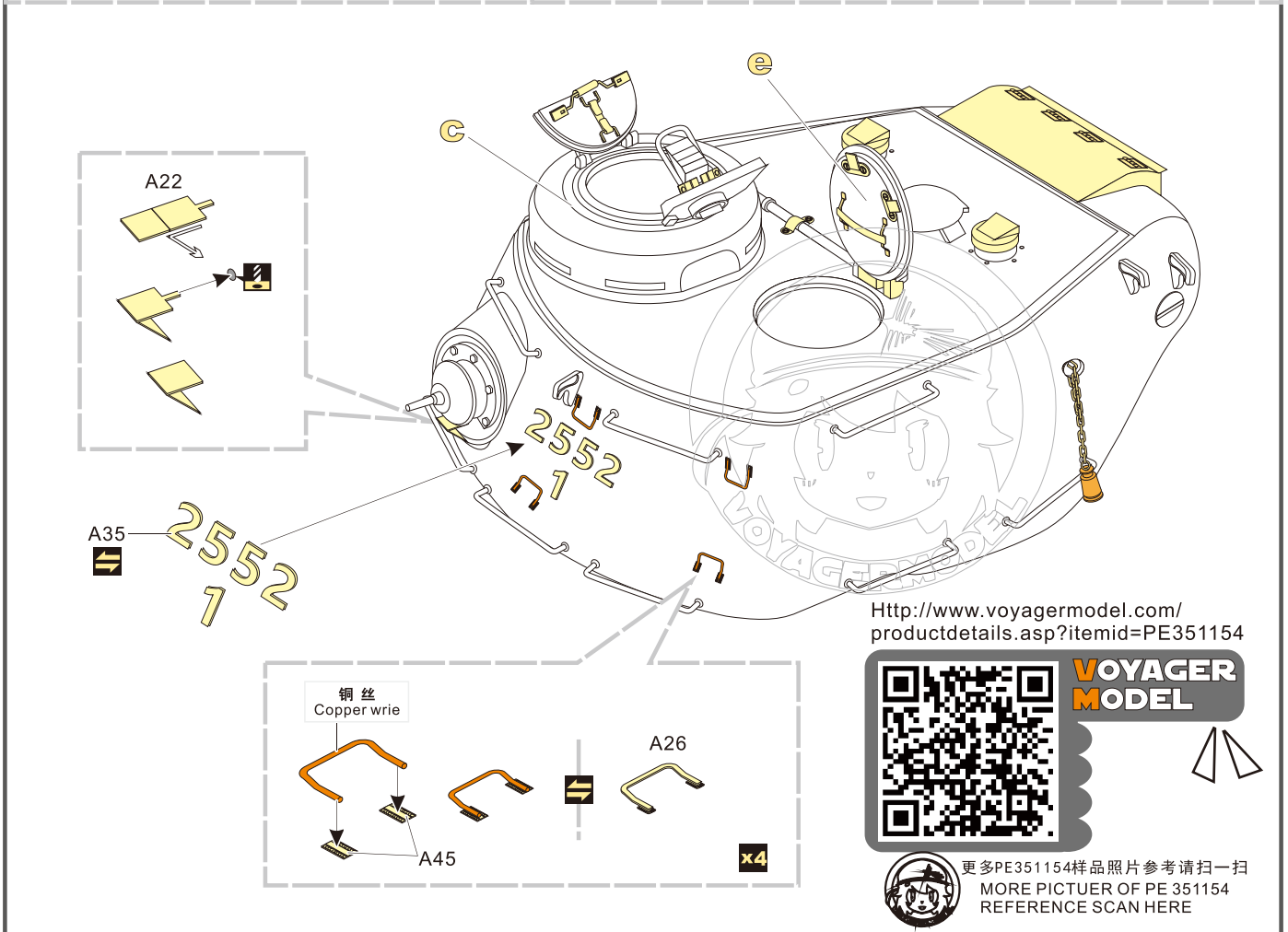
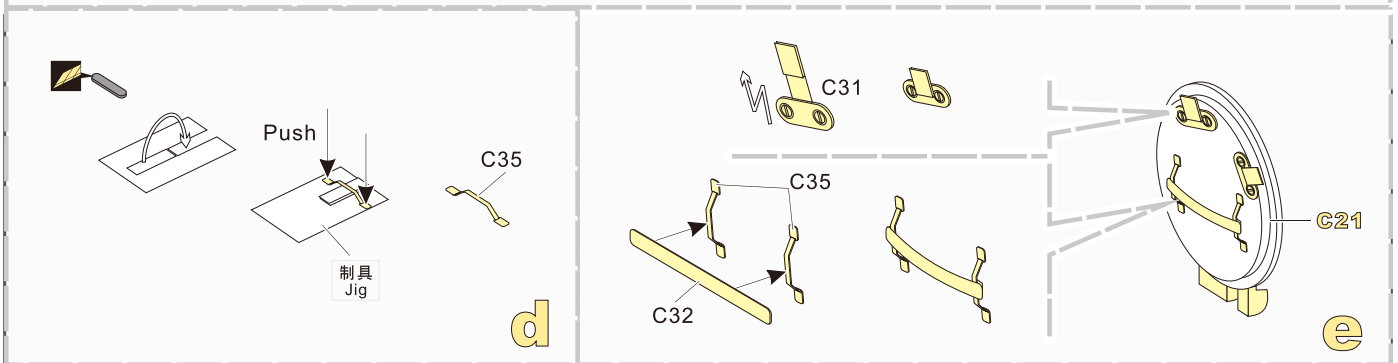
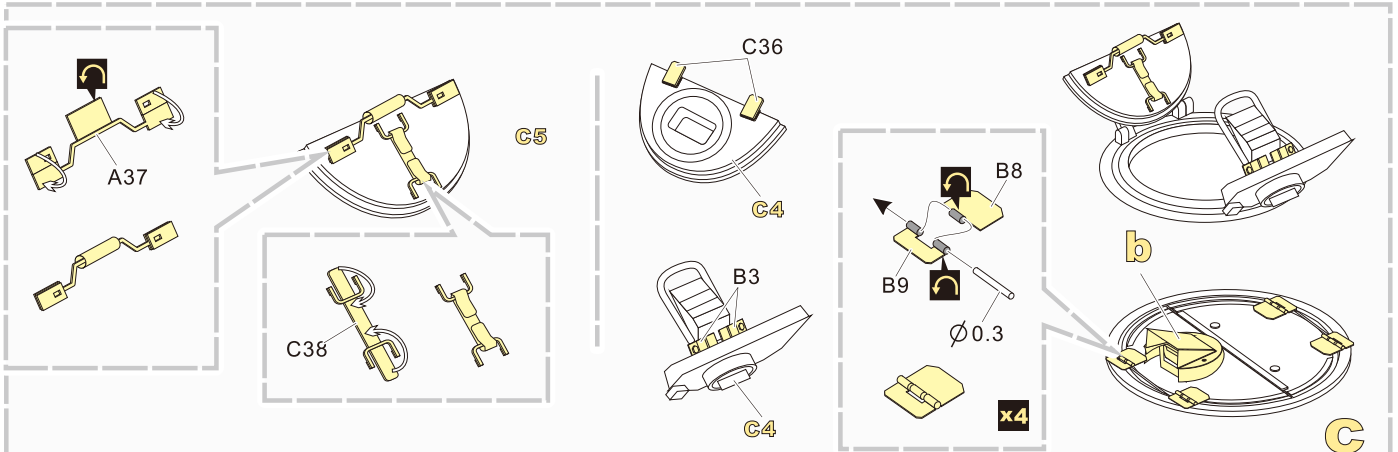
蚀刻片零件内侧面向上
Put the part upside down
用笔尖在凹槽处刺
Use penpoint to press on the dent

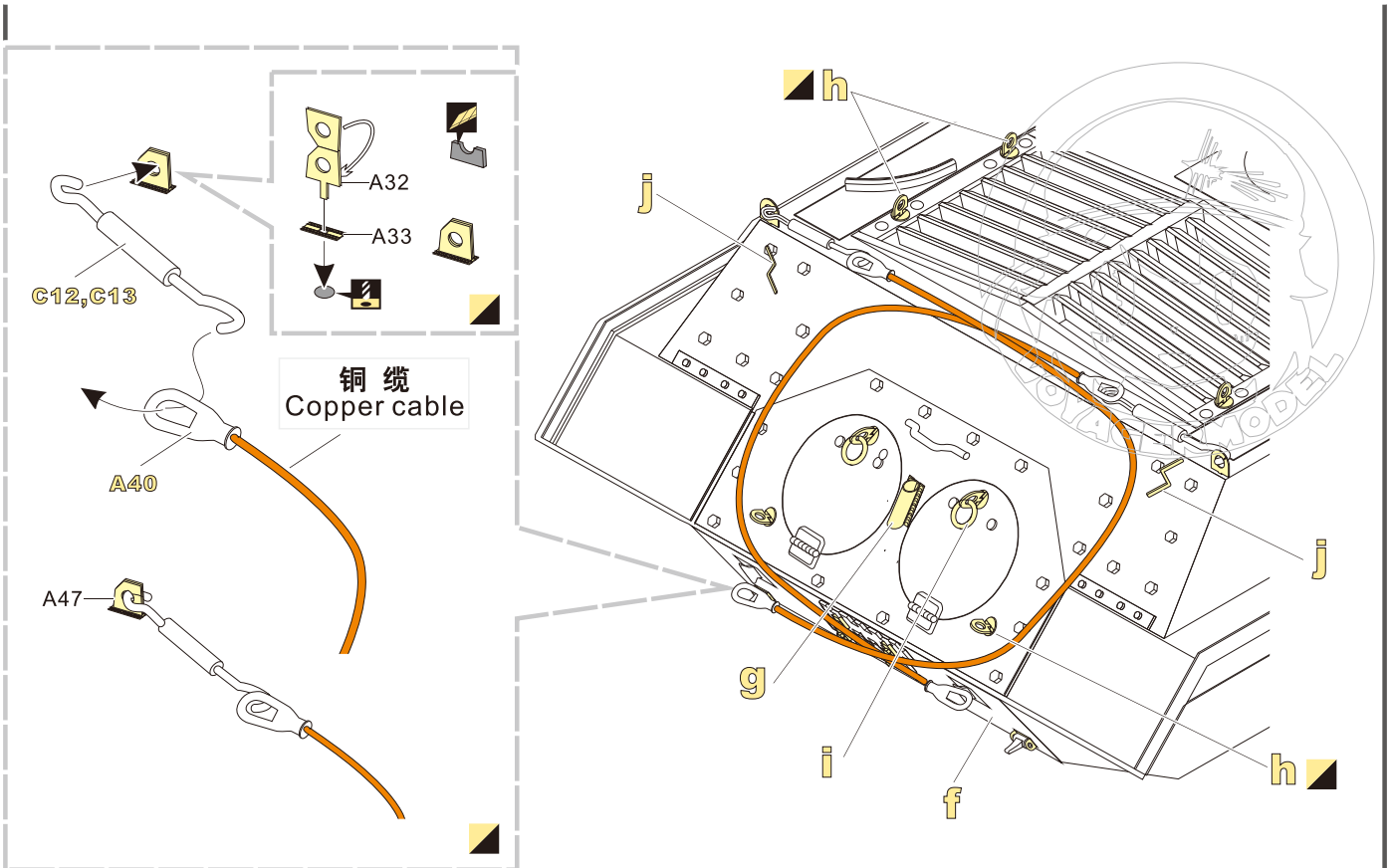
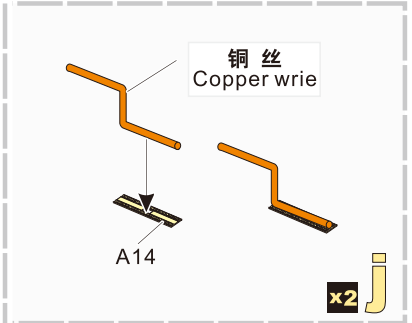
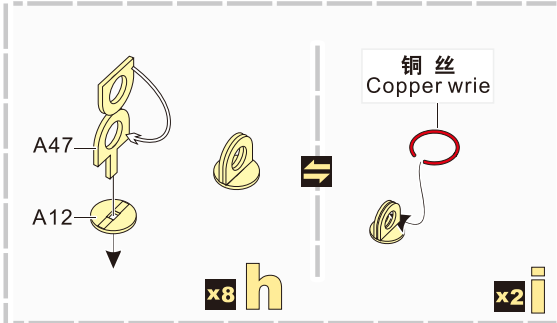
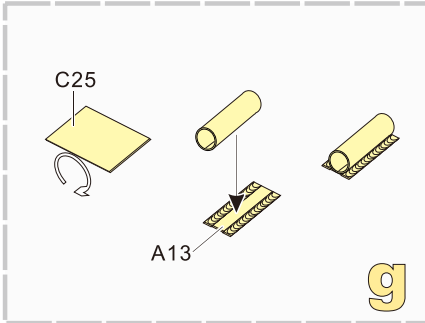
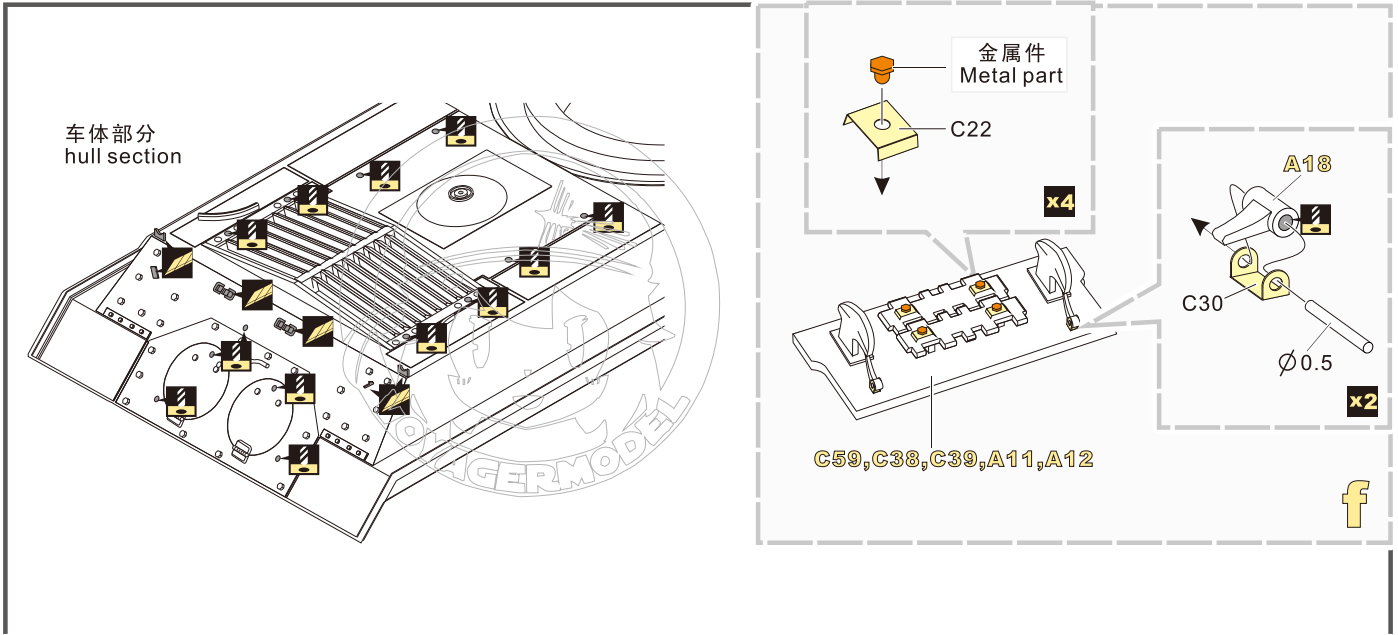
THE STEPS IN THE BLACK BOX APPLY FOR PE351154 B VERSION
黑框内的步骤仅适用于PE351154 B版本



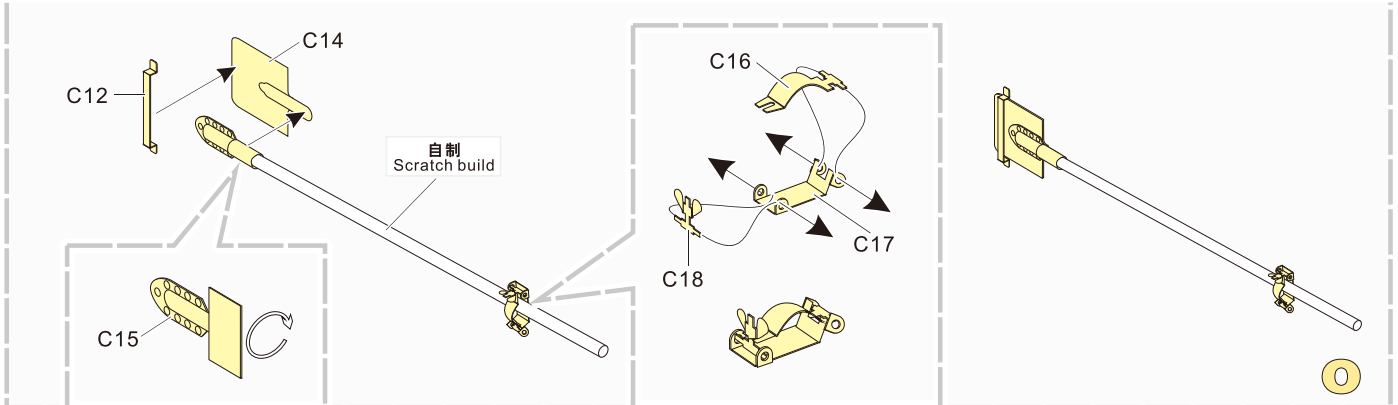
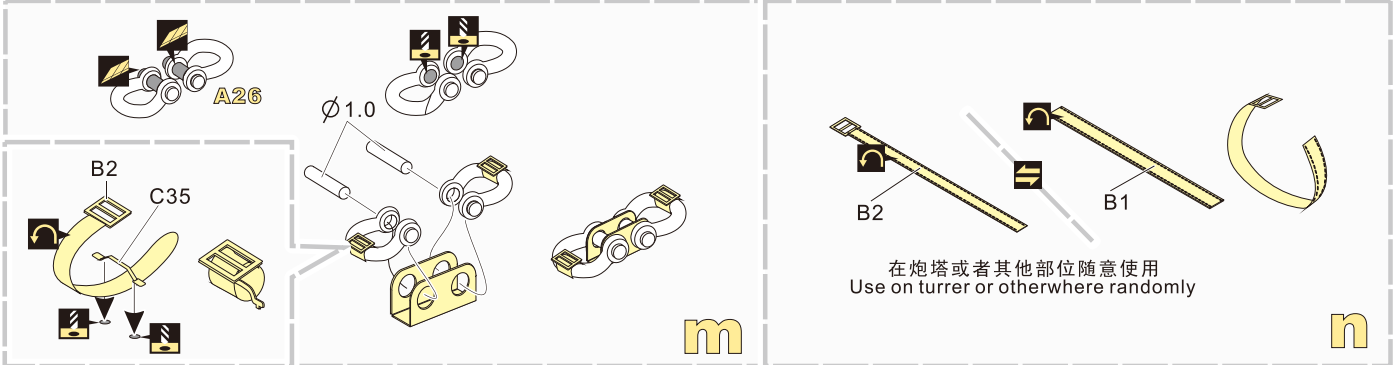
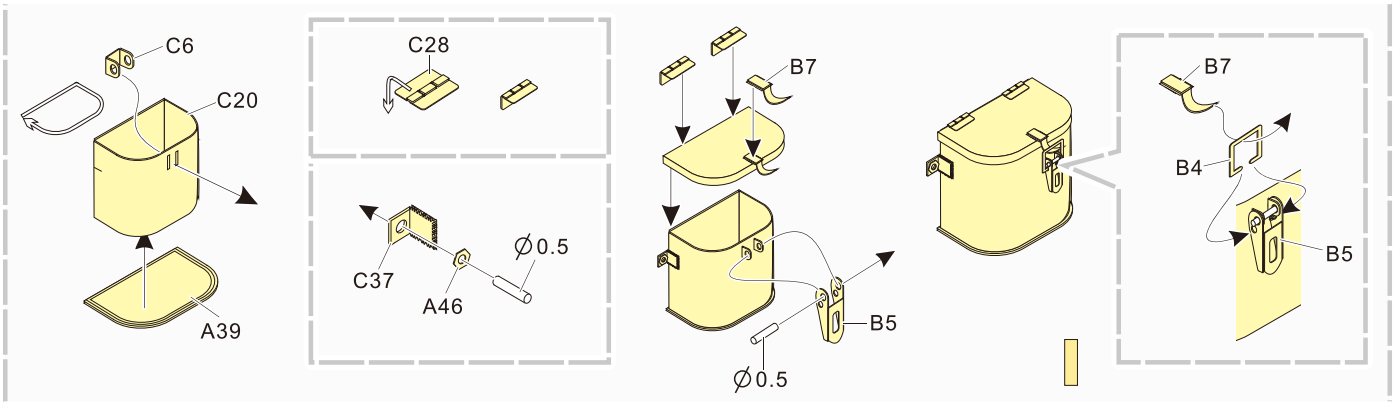
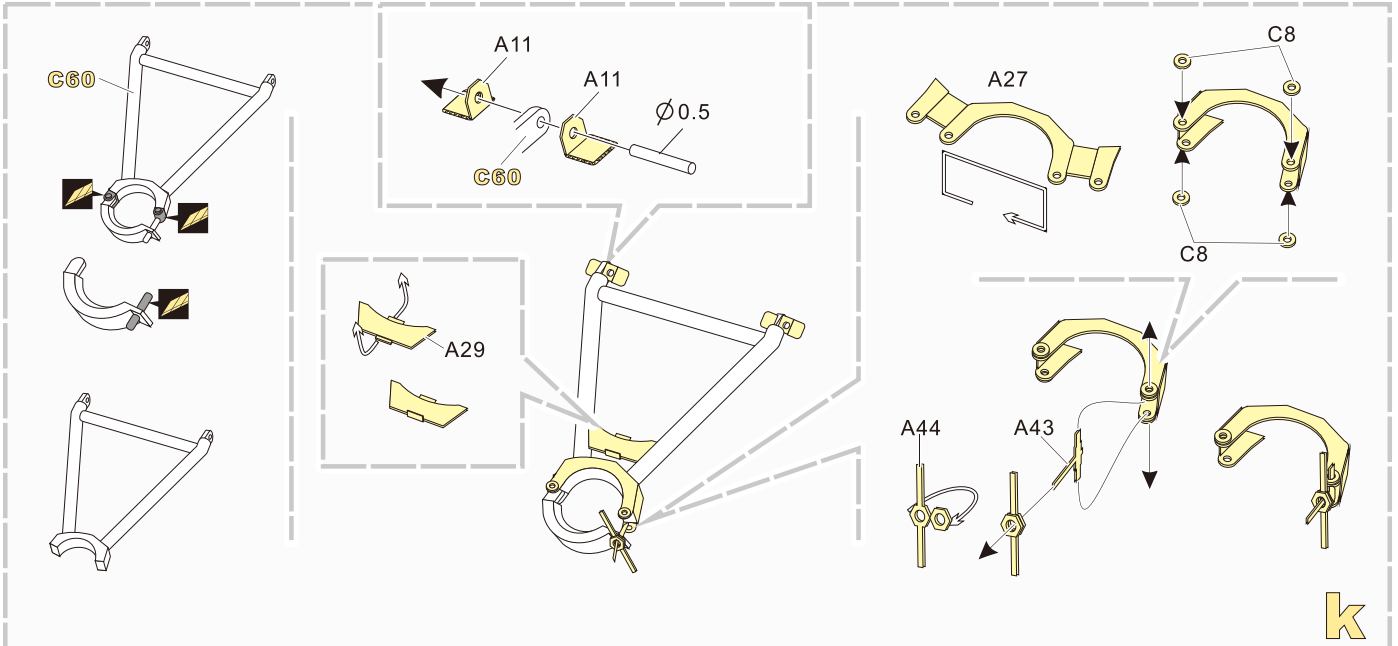
1/35 MILITARY MINIATURE VEHICLE UPGRADE SERIES PE351154



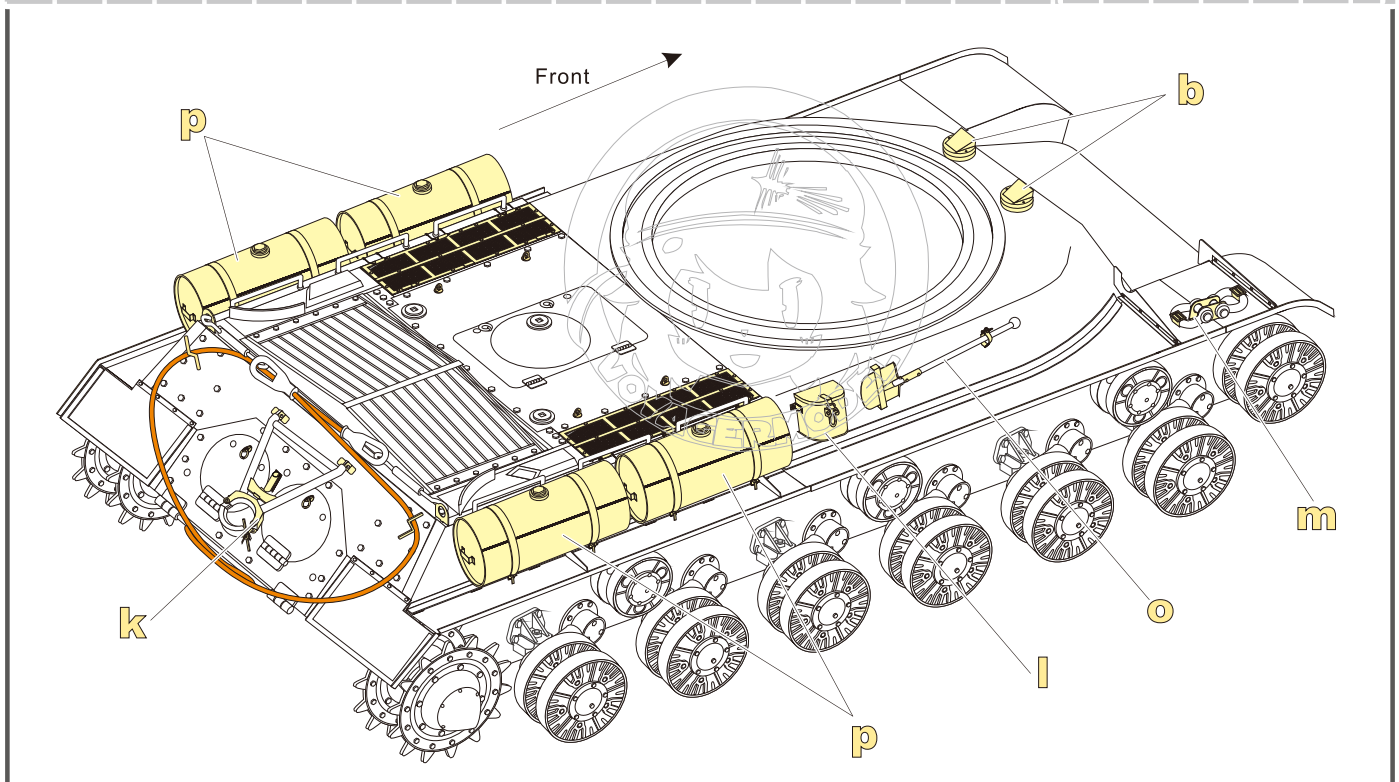
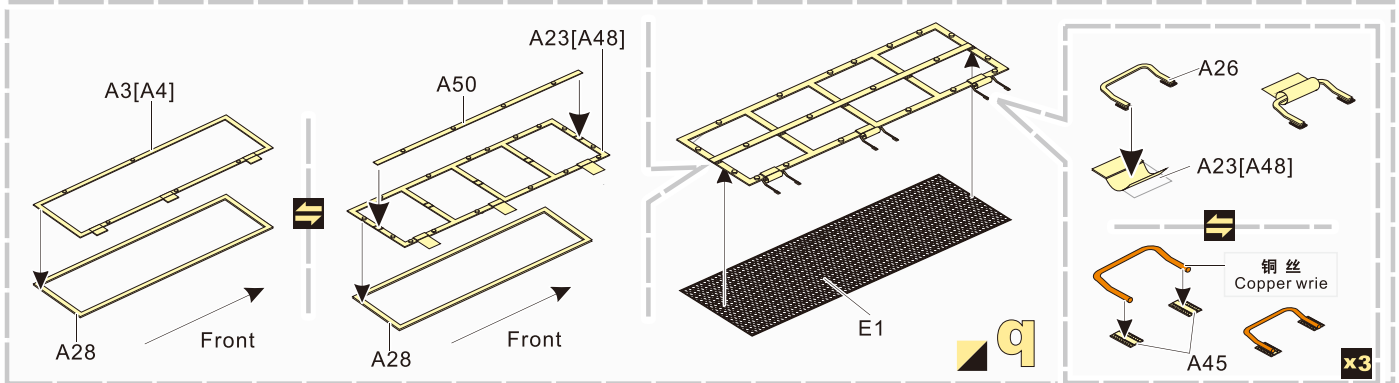
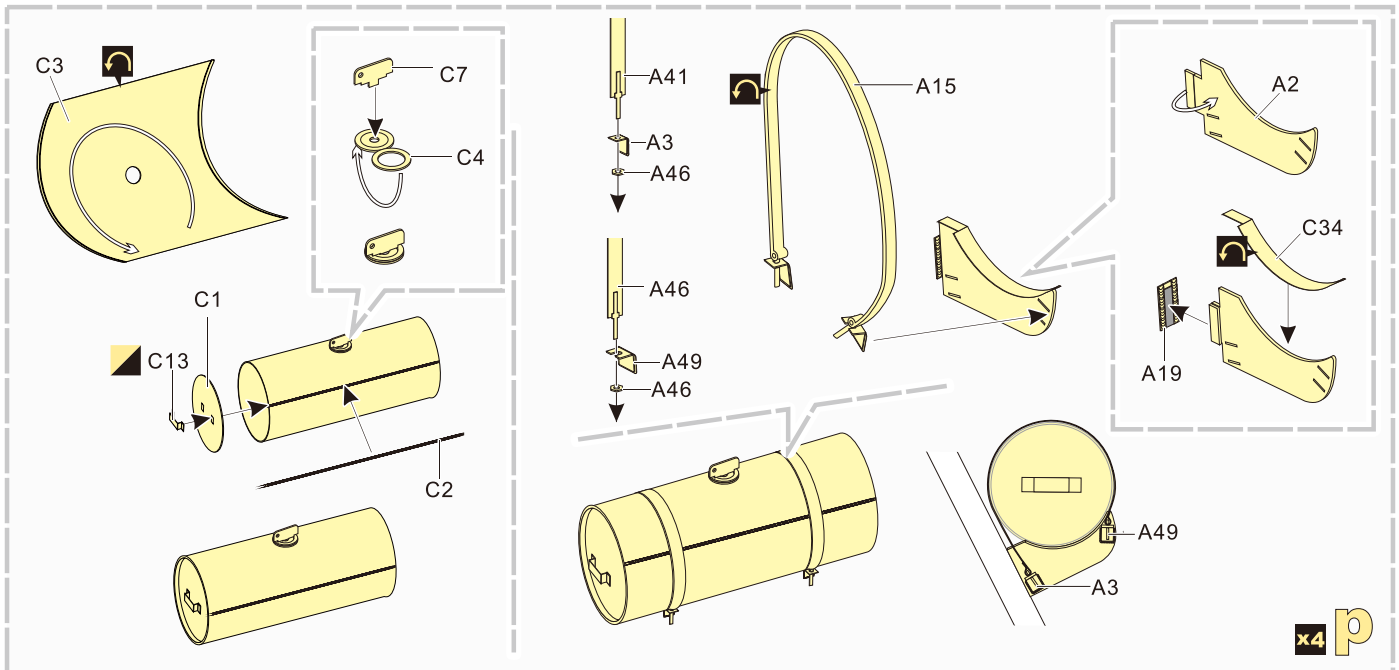
1/35 MILITARY MINIATURE VEHICLE UPGRADE SERIES PE351154



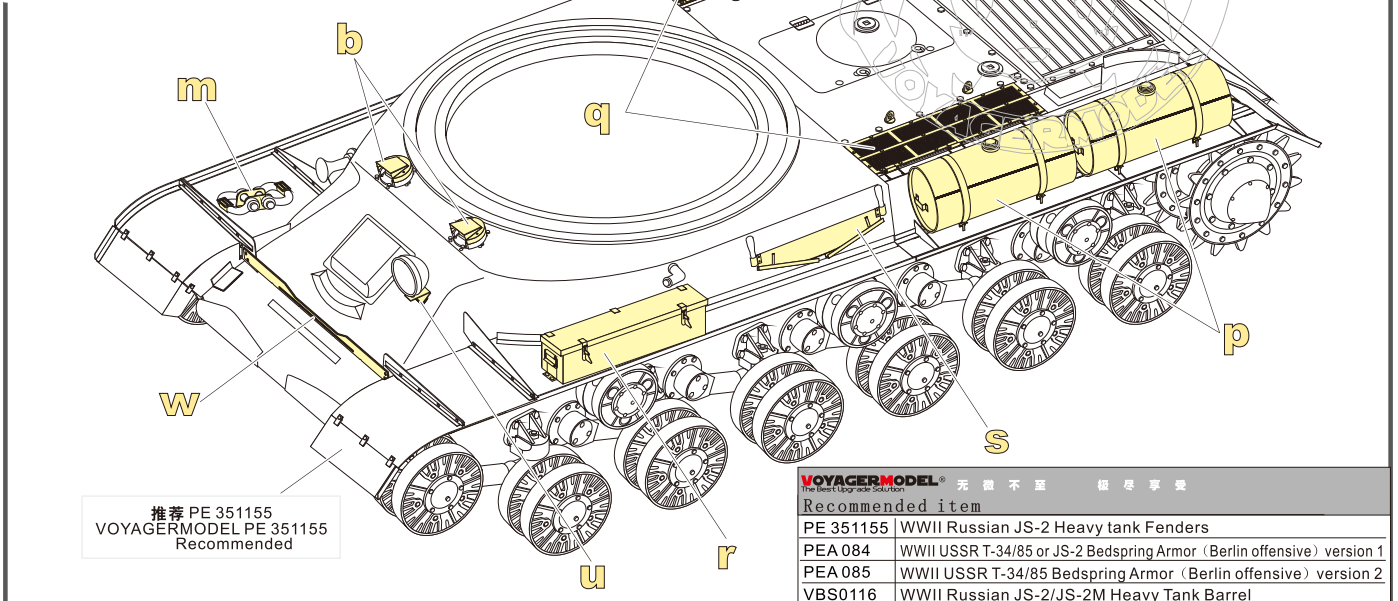
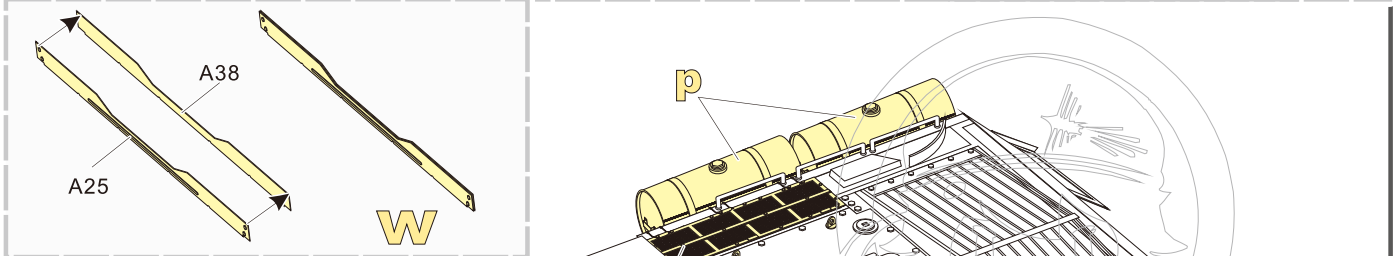
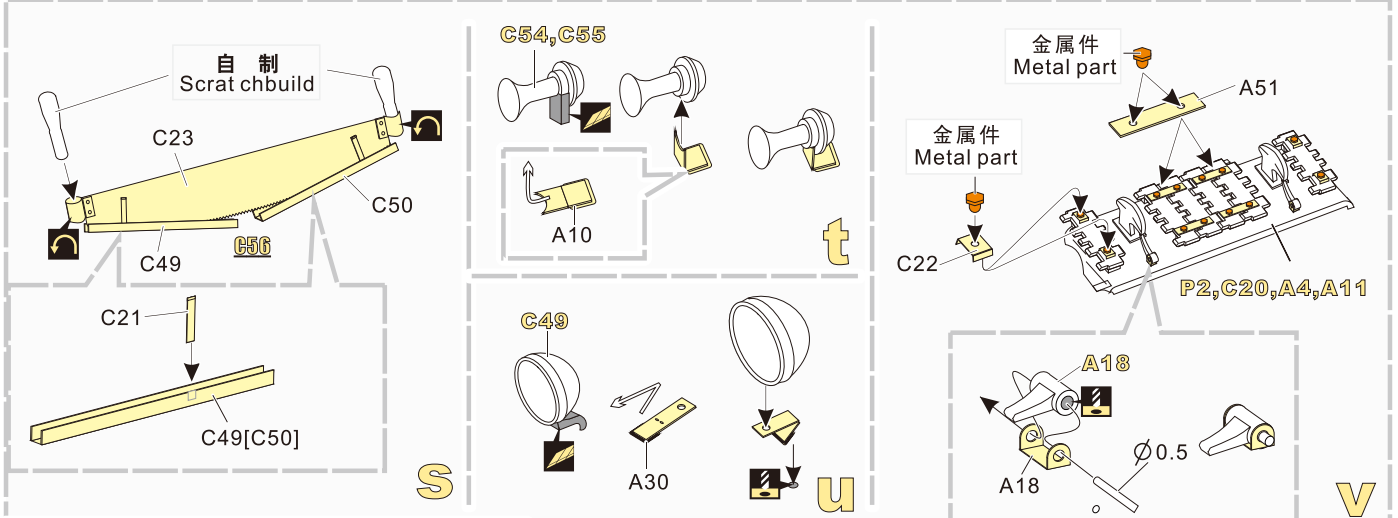
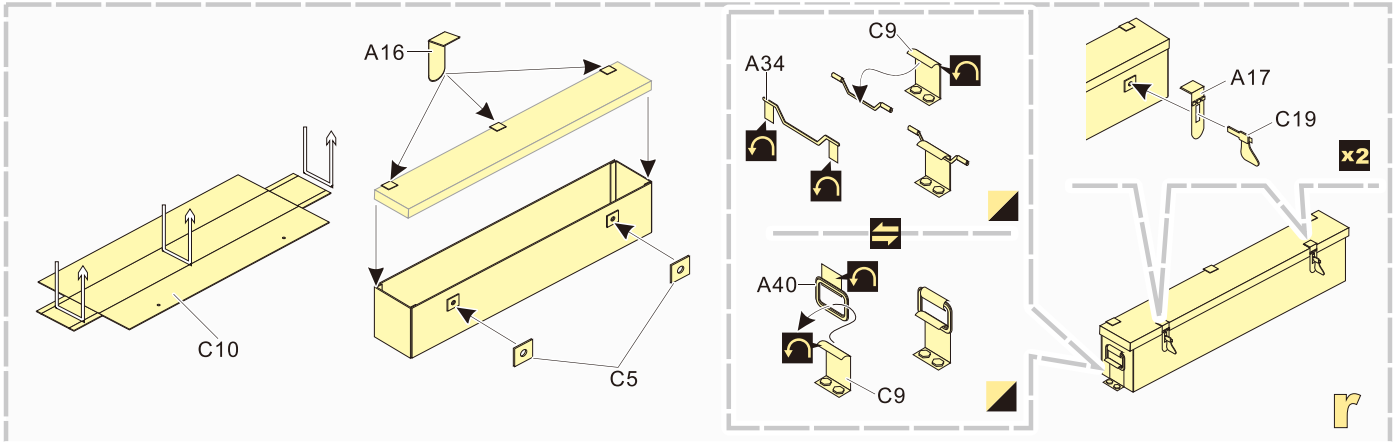
1/35 MILITARY MINIATURE VEHICLE UPGRADE SERIES PE351154



1/35 MILITARY MINIATURE VEHICLE UPGRADE SERIES PE351154



1/35 MILITARY MINIATURE VEHICLE UPGRADE SERIES PE351154



推荐 PE 351155
VOYAGERMODEL PE 351155
Recommended

VOYAGERMODEL [®] 无惧不至 极致享受 Recommended item	
PE 351155	WWII Russian JS-2 Heavy tank Fenders
PEA 084	WWII USSR T-34/85 or JS-2 Bedspring Armor (Berlin offensive) version 1
PEA 085	WWII USSR T-34/85 Bedspring Armor (Berlin offensive) version 2
VBS0116	WWII Russian JS-2/JS-2M Heavy Tank Barrel