

RUSSIAN ARMY TRACTORS SET

KZKT-537L **1+1** MAZ-537



03.02.5003

READ BEFORE ASSEMBLY CAUTION

- Read carefully and fully understand the instructions before commencing assembly. A supervising adult should also read the instructions if a child assembles the model.
- When assembling this kit, tools including knives used. Extra care should be taken to avoid personal injury.
- Keep out of reach of small children. Children must not be allowed to suck any part, or pull vinyl bag over their heads.



Instant Glue
for Metal

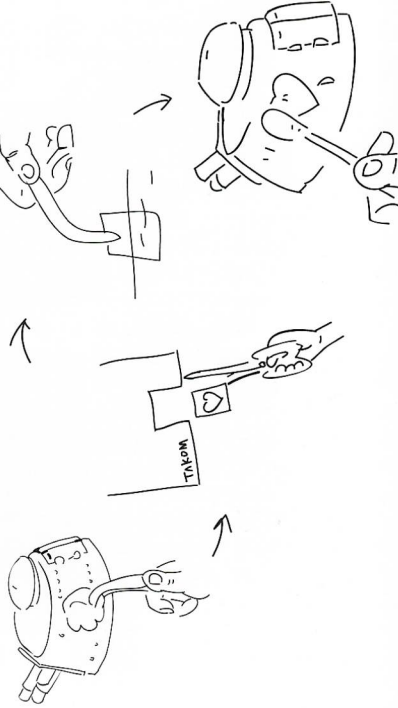
PAINTS REQUIRED

Color info and profiles by Mig Jimenez

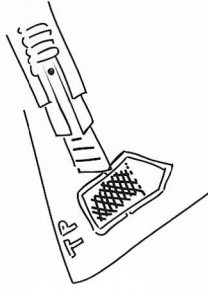
A.MIG 032	Satin Black	A.MIG 038	Rubber & Tires	A.MIG 046	Matte Black	A.MIG 049	Red
A.MIG 033	Crystal Red	A.MIG 034	Crystal Glass	A.MIG 037	Crystal Orange	A.MIG 185	Silver
A.MIG 058	Green Khaki	A.MIG 210	Blue gray AMT-11	A.MIG 032	Russian Base	A.MIG 053	Protective MC 1200
A.MIG 057	Yellow Grey	A.MIG 058	Light Green Khaki	A.MIG 083	Zelenschitny Zeleno	A.MIG 055	Oil Ochre

APPLYING DECALS

1. Clean the model surface with a wet cloth.
2. Cut out each decal design from sheet, and dip it in tepid water for 15-20 sec.
3. Hold the backing sheet and slide decal onto the model.
4. Move decal into position by wetting decal with finger.
5. Press decal gently down with a soft cloth until excess water and air bubbles are gone.



REMOVING PE



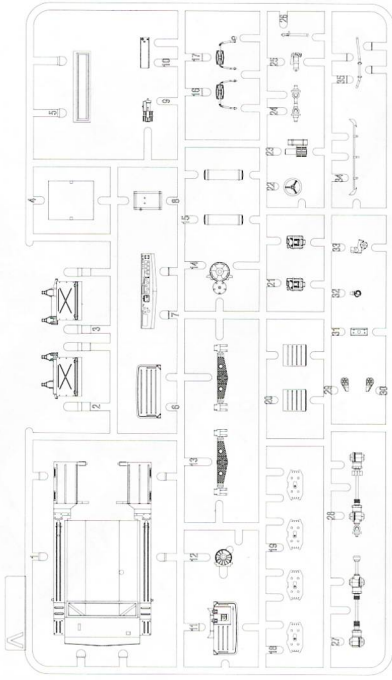
Be careful not to hurt when removing PE parts.



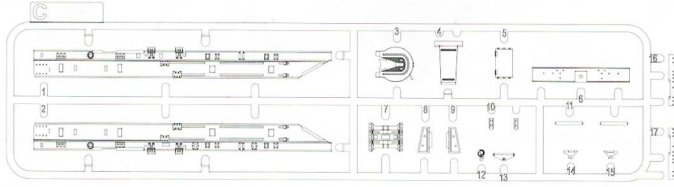
Finish using file.

Secure using instant glue (not included).

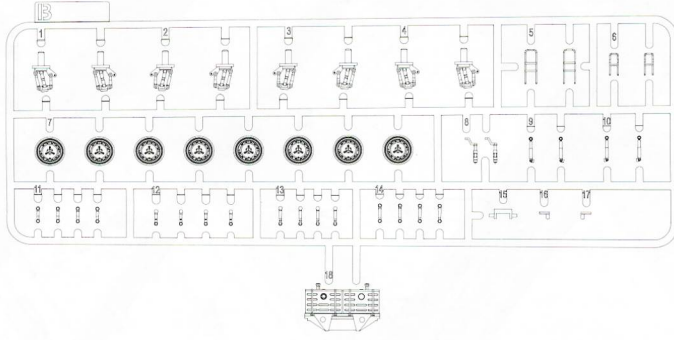
PARTS



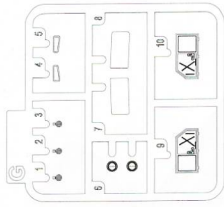
X2



X16



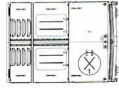
X2



X2



H



J

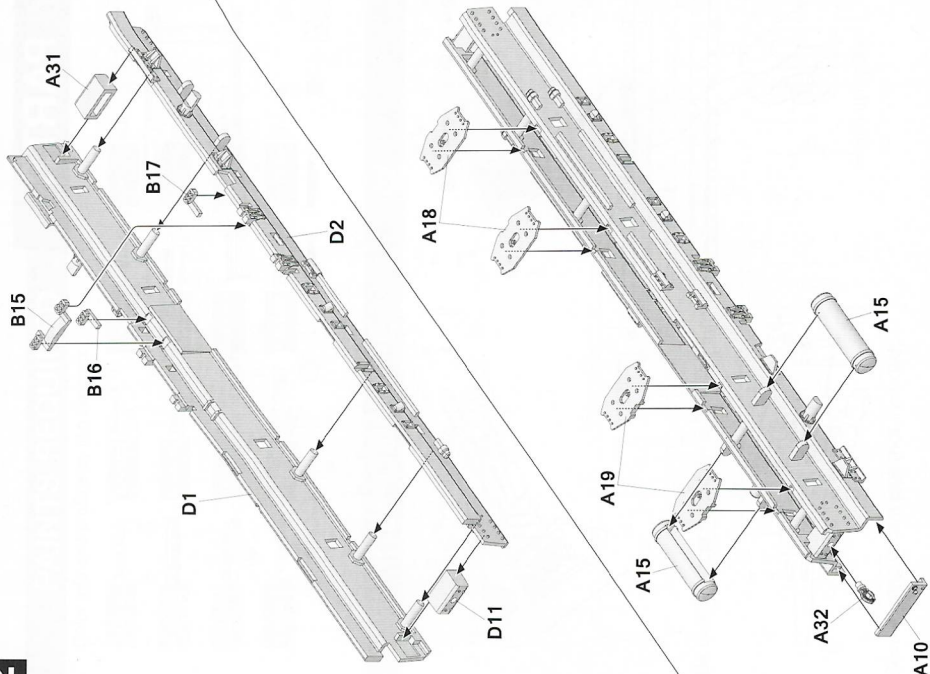


Decal

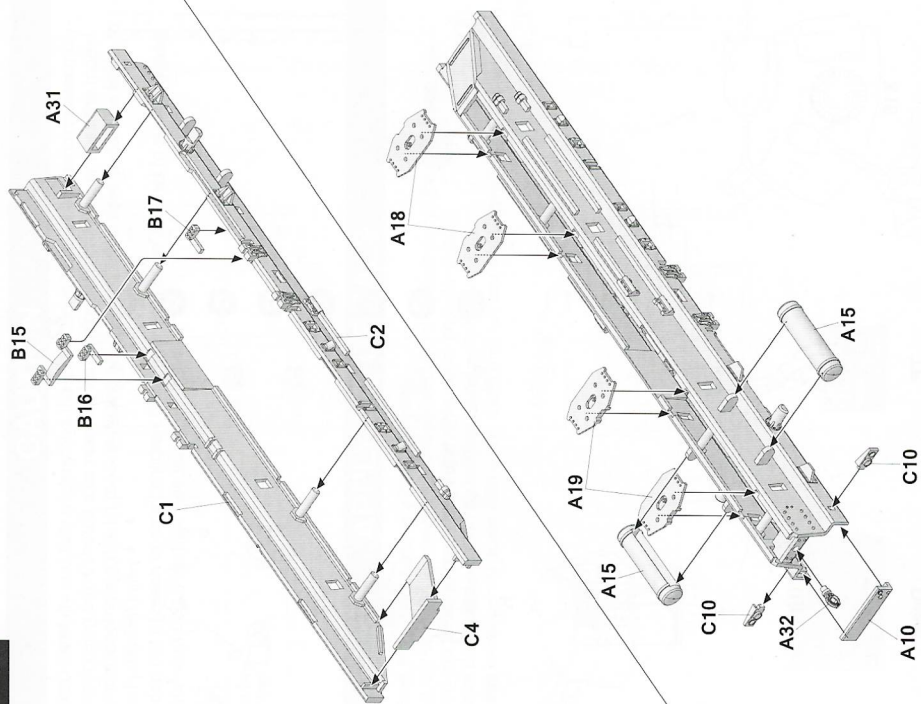


TP

1-2

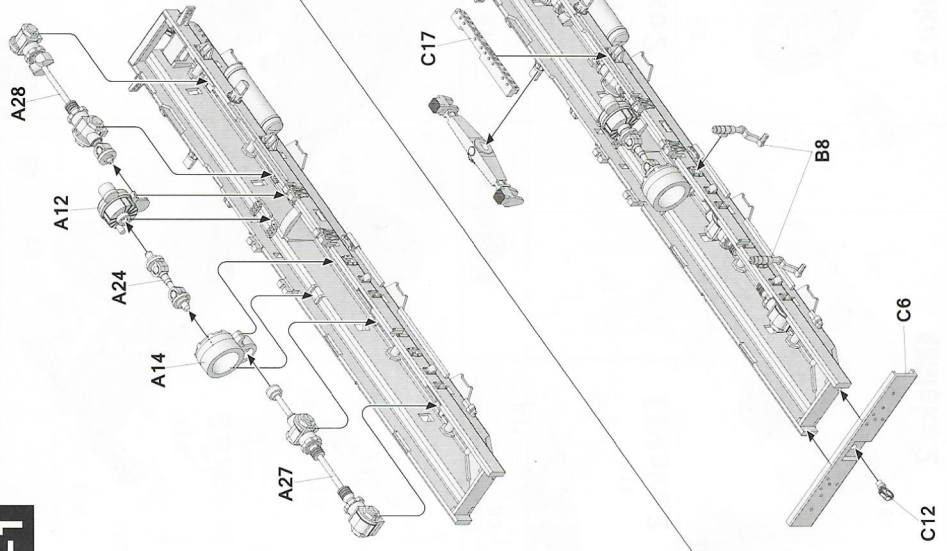


1-1

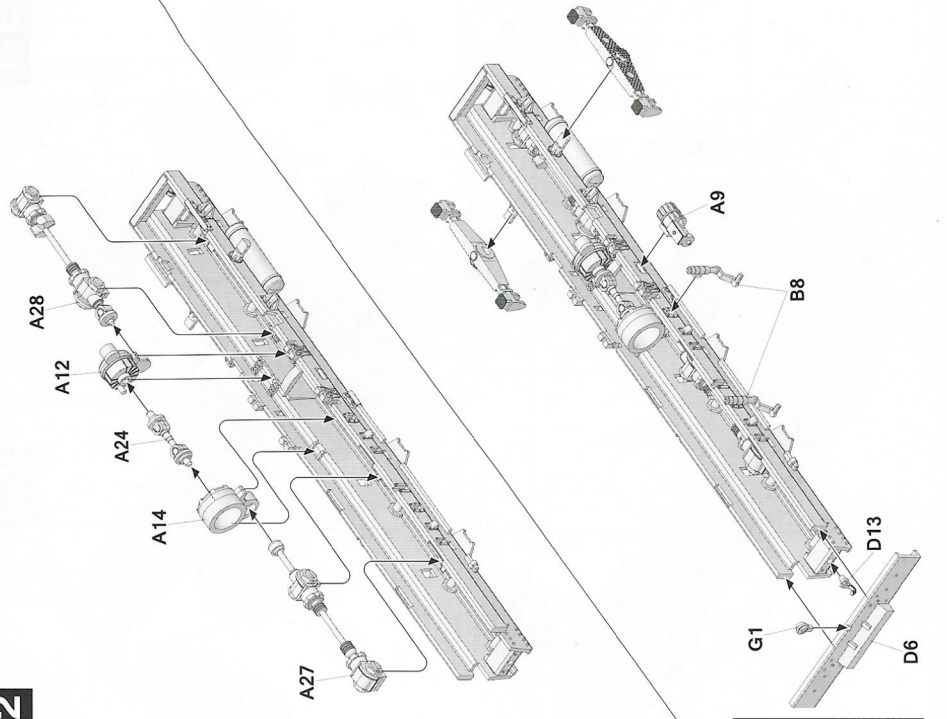


3

2-1

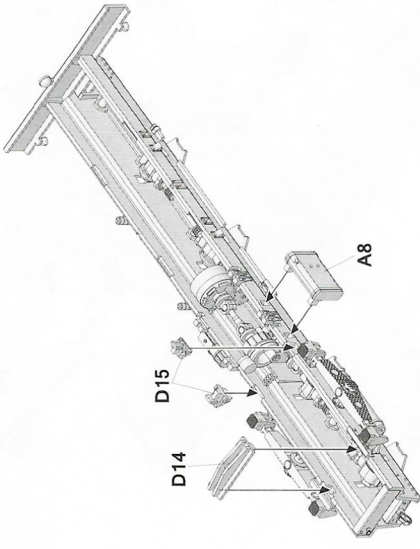


2-2

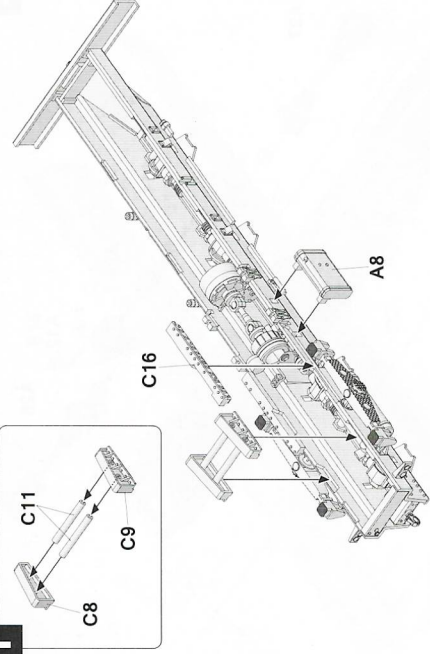


4

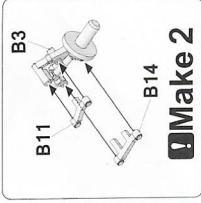
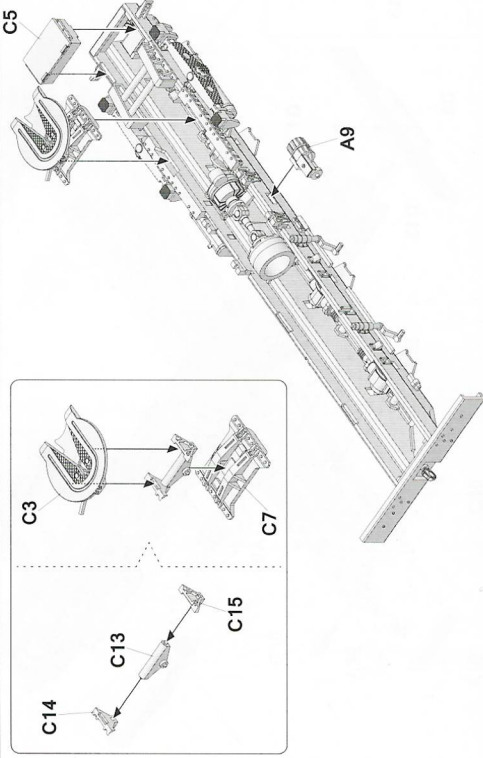
3-2



3-1



4



5

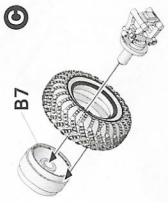
5



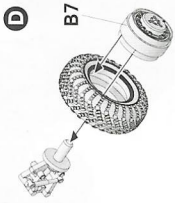
Make 2



Make 2

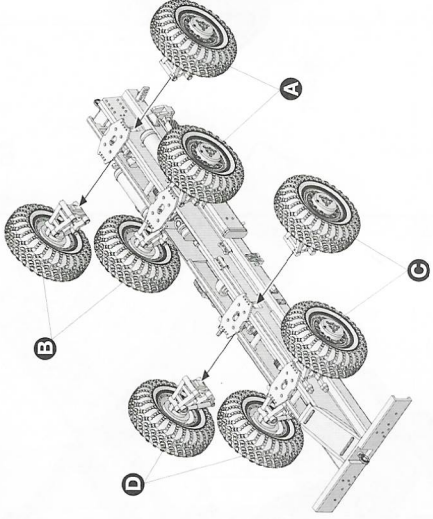


Make 2

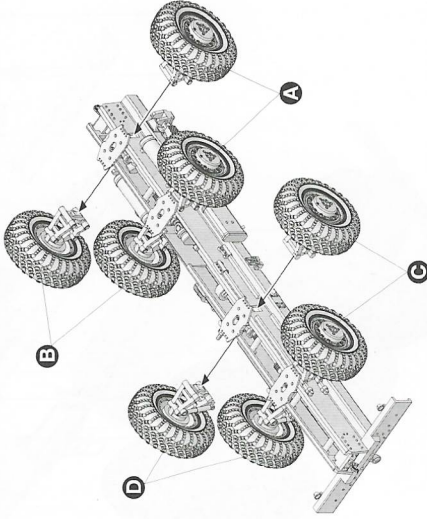


Make 2

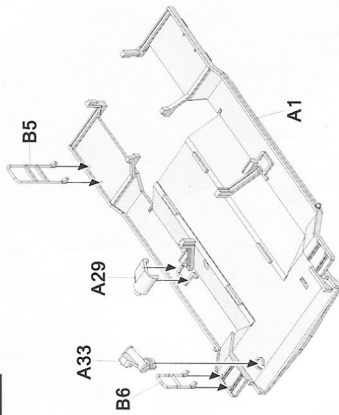
6-1



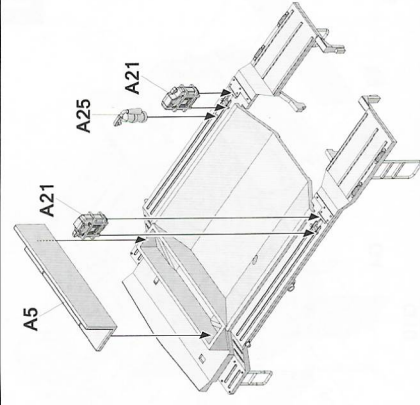
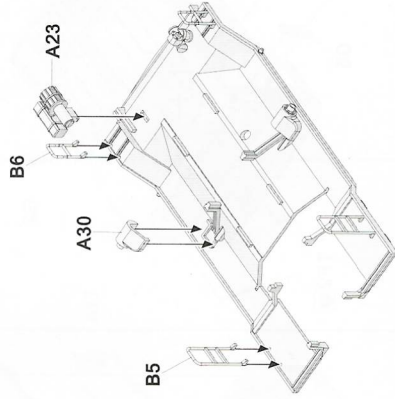
6-2



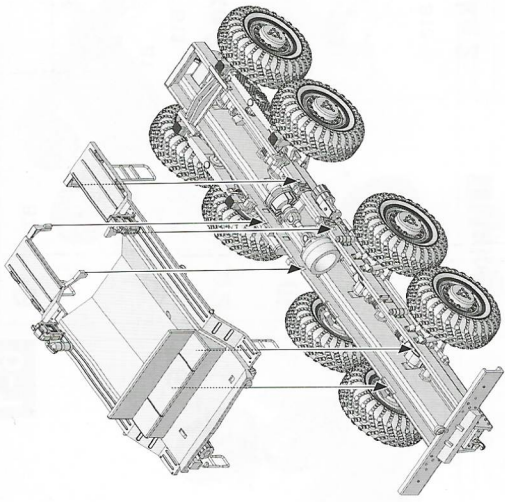
7



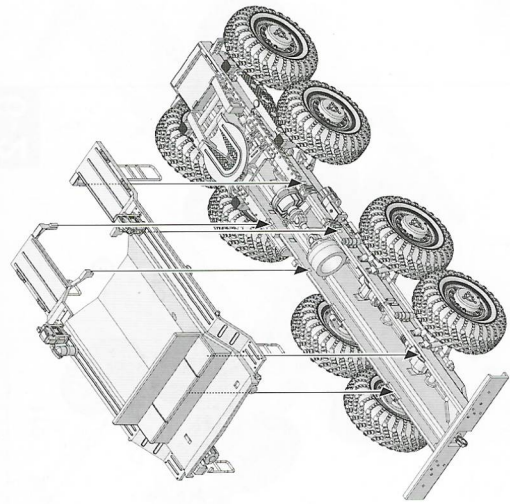
6



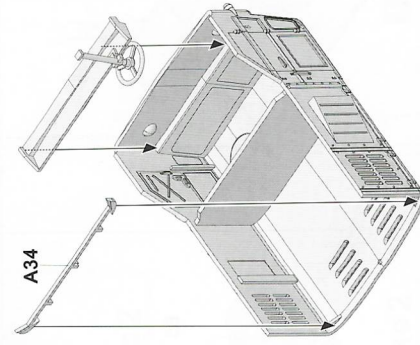
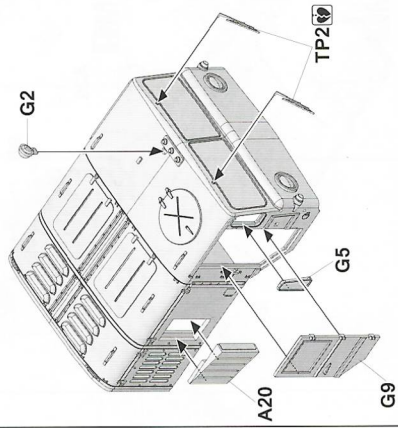
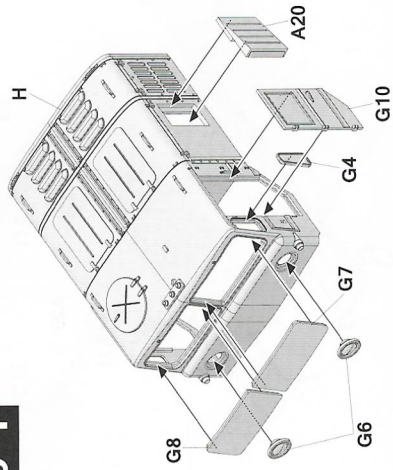
8-2



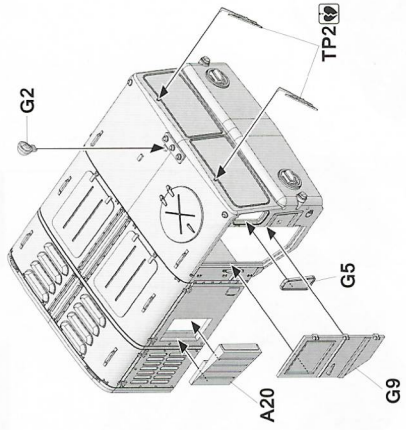
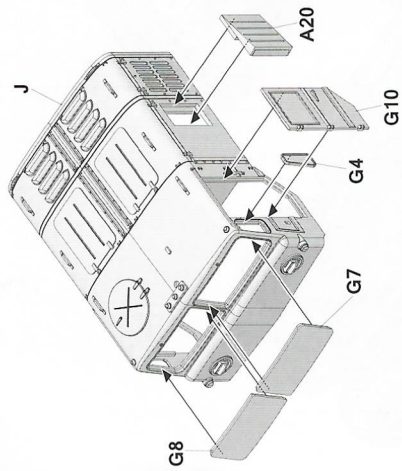
8-1



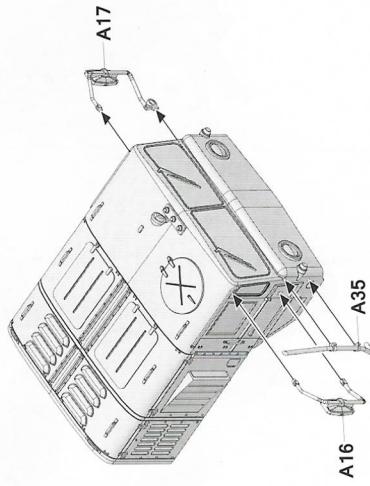
9-1



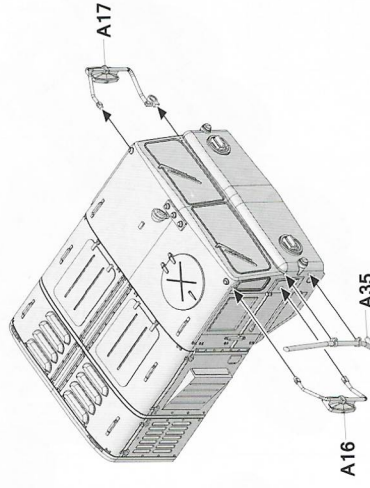
9-2



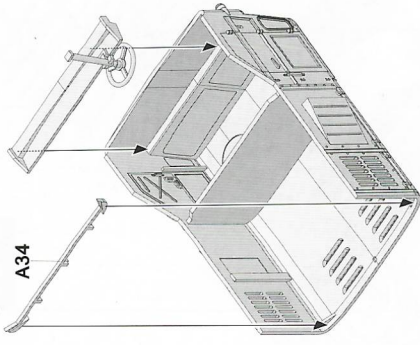
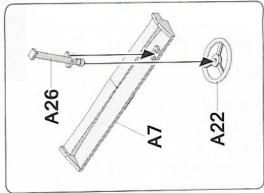
10-1



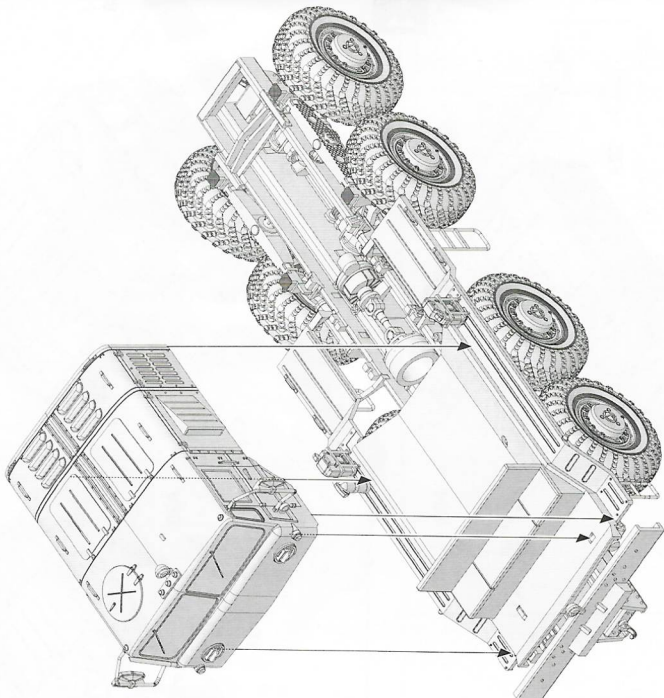
10-2



8

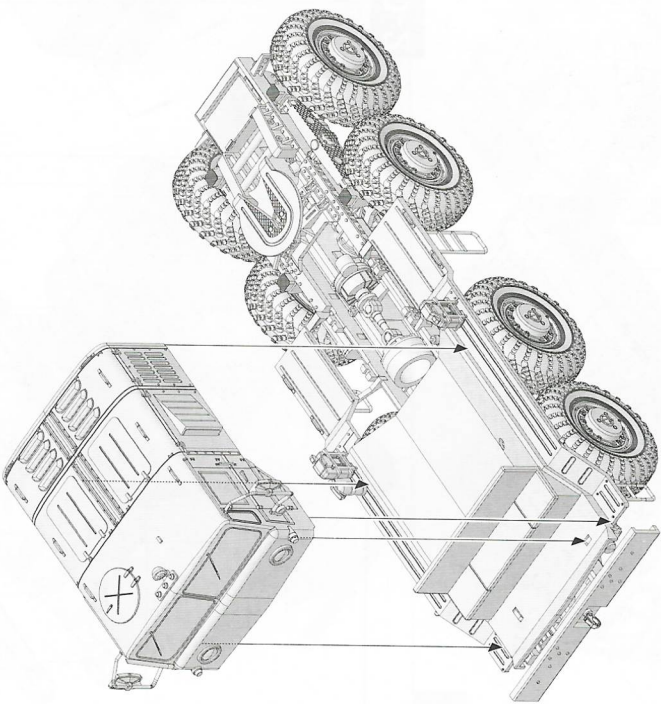


11-2

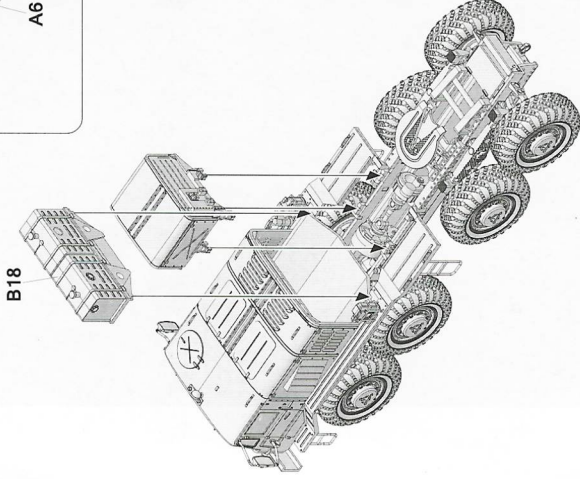


9

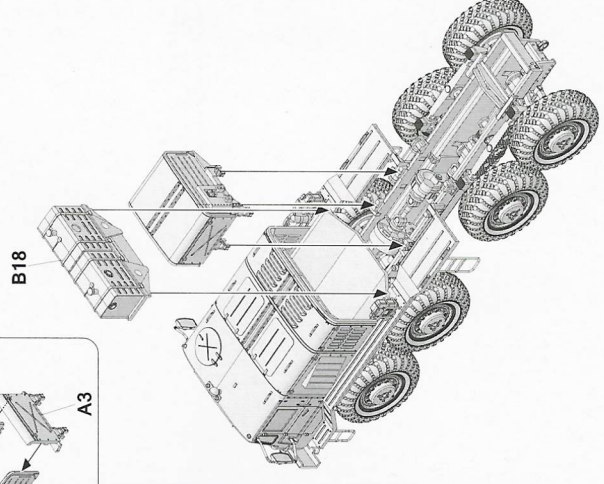
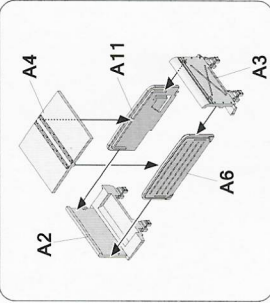
11-1



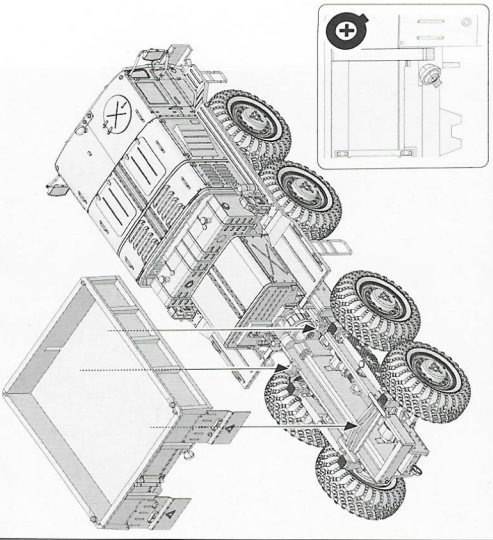
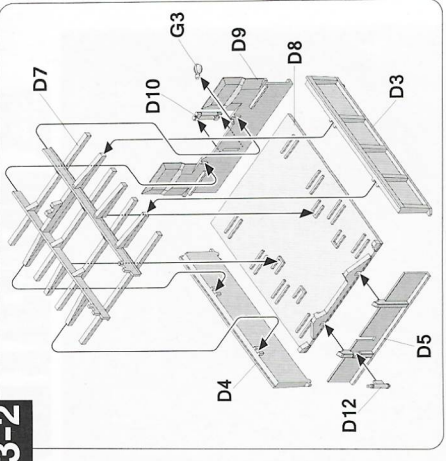
12-1



12-2



13-2



Painting and Marking Guide

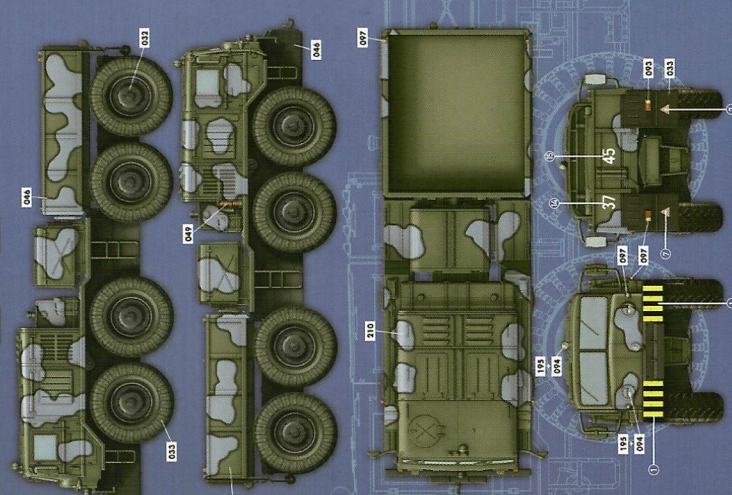
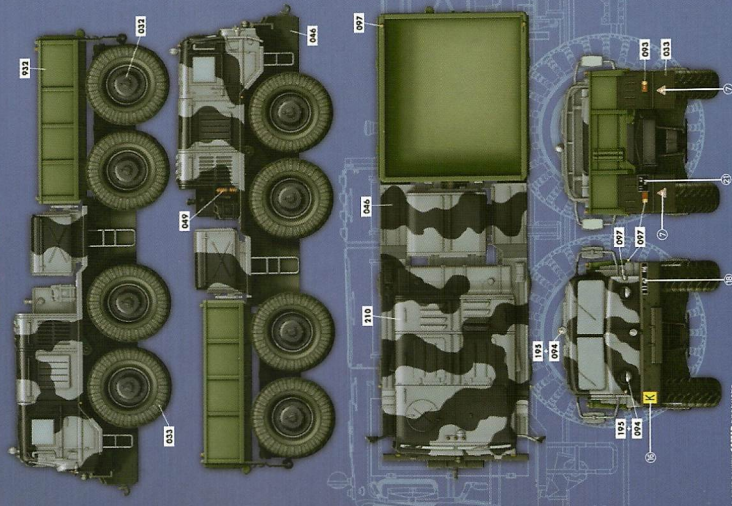
TAKOM Ref: 5003
1/72 MAZ-537 & KZKT-537L (1 + 1)

Painting and Marking Guide

TAKOM Ref: 5003
1/72 MAZ-537 & KZKT-537L (1 + 1)

- AMG 032 Side Black
- AMG 033 Rubber & Tires
- AMG 046 Army Black
- AMG 093 Crystal Red
- AMG 094 Crystal Green
- AMG 095 Crystal Orange
- AMG 192 Silver
- AMG 933 Russian Blue

- AMG 032 Side Black
- AMG 033 Rubber & Tires
- AMG 046 Army Black
- AMG 093 Crystal Red
- AMG 094 Crystal Green
- AMG 095 Crystal Orange
- AMG 192 Silver
- AMG 036 Green Field



WEATHERING STEPS WITH AMMO PRODUCTS

- 1 GENERAL WASH
A.MG-1003 Dark Wash
- 2 WEATHERING
A.MG-1008 Buff for Dark Gray
- 3 WEATHERING
A.MG-1002 Streaking Grime for Plastic Gray
- 4 WEATHERING
A.MG-1004 Rainmarks Effects

WEATHERING STEPS WITH AMMO PRODUCTS

- 1 GENERAL WASH
A.MG-1003 Dark Wash
- 2 WEATHERING
A.MG-1008 Buff for Dark Gray
- 3 WEATHERING
A.MG-1002 Streaking Grime for Plastic Gray
- 4 WEATHERING
A.MG-1004 Rainmarks Effects

WEATHERING STEPS WITH AMMO PRODUCTS

- 1 GENERAL WASH
A.MG-1003 Dark Wash
- 2 WEATHERING
A.MG-1008 Buff for Dark Gray
- 3 WEATHERING
A.MG-1002 Streaking Grime for Plastic Gray
- 4 WEATHERING
A.MG-1004 Rainmarks Effects

WEATHERING STEPS WITH AMMO PRODUCTS

- 1 GENERAL WASH
A.MG-1003 Dark Wash
- 2 WEATHERING
A.MG-1008 Buff for Dark Gray
- 3 WEATHERING
A.MG-1002 Streaking Grime for Plastic Gray
- 4 WEATHERING
A.MG-1004 Rainmarks Effects

WEATHERING STEPS WITH AMMO PRODUCTS

- 1 GENERAL WASH
A.MG-1003 Dark Wash
- 2 WEATHERING
A.MG-1008 Buff for Dark Gray
- 3 WEATHERING
A.MG-1002 Streaking Grime for Plastic Gray
- 4 WEATHERING
A.MG-1004 Rainmarks Effects

WEATHERING STEPS WITH AMMO PRODUCTS

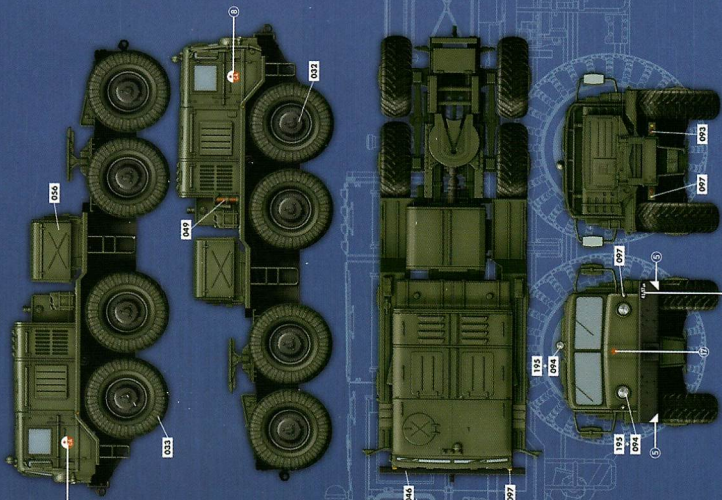
- 1 GENERAL WASH
A.MG-1003 Dark Wash
- 2 WEATHERING
A.MG-1008 Buff for Dark Gray
- 3 WEATHERING
A.MG-1002 Streaking Grime for Plastic Gray
- 4 WEATHERING
A.MG-1004 Rainmarks Effects

Painting and Marking Guide

TAKOM Ref. 5003

1/72 MAZ-537 & KZKT-537L (1 + 1)

- AMG 032** Skin Black
- AMG 033** Rubber & Tire
- AMG 046** Non-Black
- AMG 048** Red
- AMG 093** Crystal Red
- AMG 094** Crystal Blue
- AMG 097** Crystal Orange
- AMG 103** Silver
- AMG 034** Green Khaki



WEATHERING STEPS WITH AMMO PRODUCTS

- 1** **CRACKS**
A. AMG-1002 Cracks - Wash for Green Vehicles
- 2** **DIRTY**
A. AMG-1007 for 1/4 Yellow Green
- 3** **DIRTY**
A. AMG-1005 Drying Grains
- 4** **DIRTY**
A. AMG-1008 Harshness Effects
- 5** **TRUCK WASH**
A. AMG-1003 Wash Earth
- 6** **DIRTY**
A. AMG-1002 Earth Earth
- 7** **AMMO SPEAKERS**
A. AMG-1004 New Green!
A. AMG-1005
A. AMG-1006
A. AMG-1007 Front Engine Oil

WWII GERMAN V-2 ROCKET TRANSPORTER/ERECTOR
THE ERECTOR FRAME CAN BE ASSEMBLED IN THE LAUNCH AREA. THE TRANSPORTER CAN BE ASSEMBLED IN THE LAUNCH AREA. THE TRANSPORTER CAN BE ASSEMBLED IN THE LAUNCH AREA. THE TRANSPORTER CAN BE ASSEMBLED IN THE LAUNCH AREA.



1/72 (1/50)

A. READY TO ASSEMBLE PRECISION MODEL KIT A. MODEL MAY VARY FROM IMAGE ON BOX A. CURRENT PAINT NOT INCLUDED

M1070 & M1000 W/D9R U.S. 70 TON TANK TRANSPORTER W/ Bulldozer

A. DETAILS ARE NOT IN PLASTIC MODEL A. PE AND CLEAR PARTS INCLUDED A. 2 TYPES OF MARKINGS

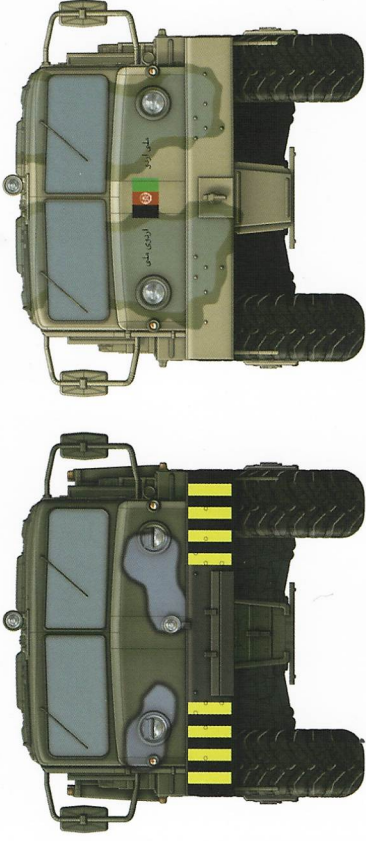
1/72 (1/50)



1/72 (1/50)

A. THIS IS NOT A TOY A. READY TO ASSEMBLE PRECISION MODEL KIT A. PE AND CLEAR PARTS INCLUDED A. MODEL MAY VARY FROM IMAGE ON BOX A. CURRENT PAINT NOT INCLUDED

D9R Armored Bulldozer
M1070 Heavy Equipment Transporter from Heller
M1070 Tank Transporter



 You can find TAKOM on Facebook.com