

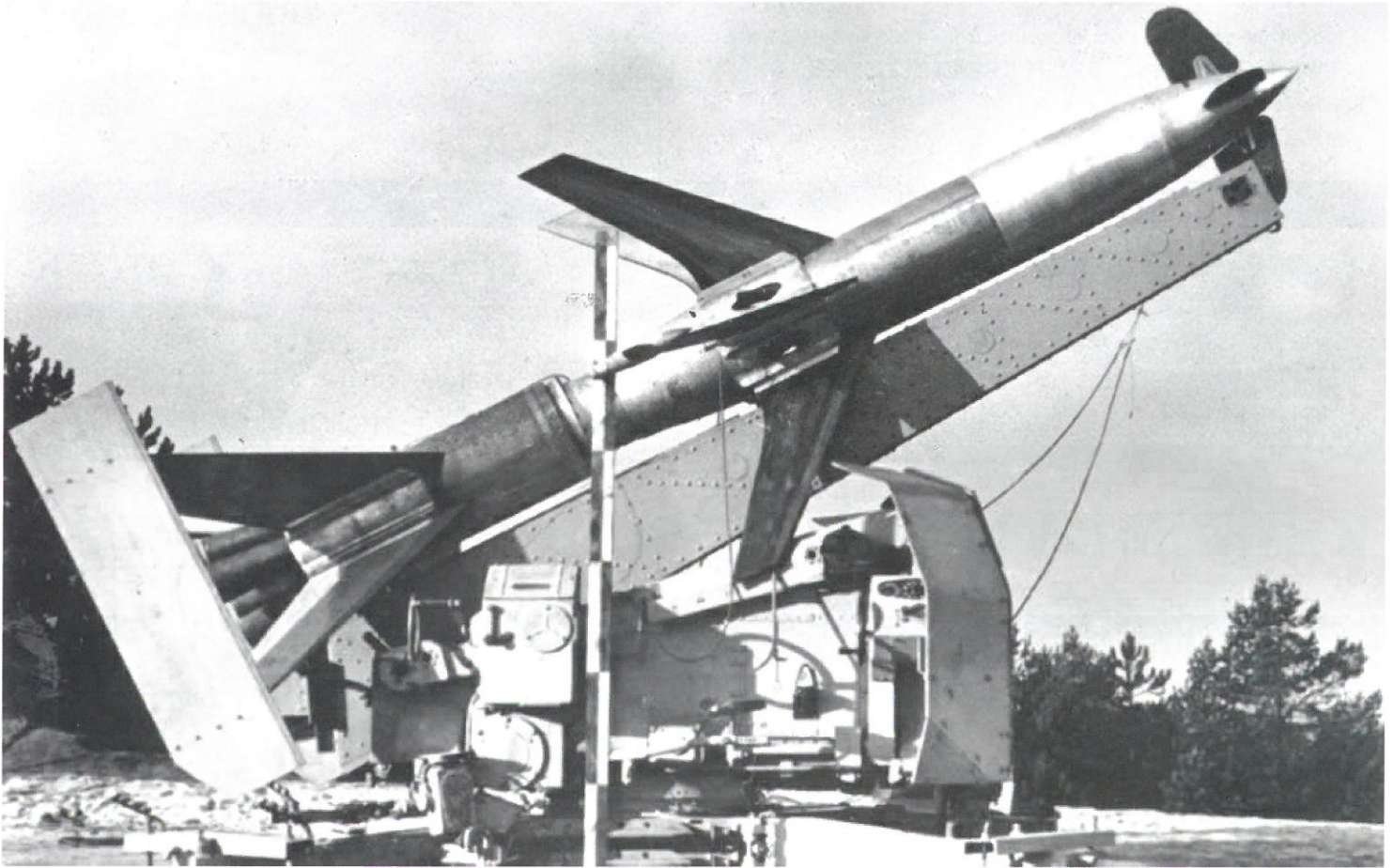


Bronco Models

Kit No.CB-35050

## German Rheinmetall 'Rheintochter' R-2 anti-aircraft missiles and launcher

德国“莱茵女儿”R-2型地-空导弹及发射架 1/35 SCALE



In 1942, the Allied air strikes against the German and industrial targets were increasingly fierce, which made the Germans stepped up their research and development of anti-aircraft rockets and missiles. In September 18th of the same year, the RLM and the Rhine metals company officially signed a new type of anti-aircraft missile research and development contracts. The main person in charge by Dr. Crein who developed the "Rhinebote" ground to ground tactical rocket as the project. The new missile is called the "Rheintochter", and it has also become another attractive and unique work in the history of German missiles. R-1 is the first model of the "Rheintochter" series anti-aircraft missile. The body is 5.7 meters long and weighs 1748 kg. Its two stage structure is equipped with a number of solid fuel rocket motors. In order to reduce the weight, the wings are made of wood. Warhead equipped with 150 kg of high explosive ammunition. The missile is controlled by a radio command and is equipped with a 'Kugelblitz' radio remote controlled proximity fuze. The missile launcher consists of Flak41 type 88 mm anti-aircraft gun refit. In a 82 test in 1943 8-12, the projectile was found to be only 6098 meters (20 thousand feet) high, and could not reach the expected 30 thousand feet. So the improved R-2 will soon be made. It increases the tail in the R-1 on the basis of a large surface, and some are still connected between the tail rudder. The new missile intends to use the "Kranich" end of the acoustic guide head, this device can be induced to the sound of the target propeller Doppler shift change in close proximity to the enemy. This landmark design completely solved the problem of radio remote control signal failure caused by a high degree of increase. It can avoid the high cost of deploying a large number of fixed launch aircraft, "Rhinetochter" also has a number of motor vehicle loading program. Although R-2 has the advantages of convenient use, technology leadership and the cost of a large number of features, but ultimately is replaced by the updated version of the follow-up .

中文

1942年，盟军对德国纵深城市和工业目标的空袭愈加猛烈，这使德国人加紧了对地-空火箭和导弹的研发工作。同年9月18日，帝国航空部与莱茵金属公司正式签订新型地-空导弹的研发合同。由曾研制“莱茵信使”地-地战术火箭的克雷因博士担任该项目的主要负责人。新导弹被称作“莱茵女儿”（Rheintochter），它也成为德国导弹史上又一个富有魅力的独特作品。R-1是“莱茵女儿”系列地-空导弹的第一种型号。弹体长5.7米，重1,748千克。它的两级结构装有多部固体燃料火箭发动机，为减轻重量，其弹翼均为木制。弹头装有150公斤高爆炸药。该弹采用无线电指令控制飞行，装备有“球形闪电”无线电遥控近炸引信。导弹的发射架由Flak41型88毫米防空炮的炮架改装而来。在1943年8-12月进行的82次试验中发现该弹的射高只有6,098米（2万英尺），无法达到预期的3万英尺。因此改进型的R-2很快被制造出来。它在R-1型的基础上增大了尾翼，有的还在两片尾翼之间连接一块大型舵面。新型导弹拟采用“鹤”末端声学引导头，这种装置能感应到目标推进器声音的多普勒频移变化在近距离引爆弹药杀伤对方。这种划时代的设计彻底解决了随着高度增加导致的无线电遥控信号失灵的问题。将导弹安置于车辆上机动的做法能避免因部署众多固定发射架出现的过高成本，“莱茵女儿”也拥有多款机动车载型方案。尽管R-2拥有使用便利，技术领先和造价便宜的众多特点，但最终还是被更新型的后续型号所取代。

## ILLUSTRATION 图示说明：

### CORRECT METHOD FOR APPLYING DECALS : 正确使用水贴纸的方法：

1. Clean model parts surface with wet cloth.  
将需要贴水贴之部位表面擦干净。
2. Cut out the decal parts and dip them in cold water for 15 ~20 seconds.  
将所需之贴纸剪下泡在清水里约15至20秒。
3. Place it on correct position of the model kit.  
将湿透之贴纸取出置放于正确之位置旁。
4. Slide off the decal from the base paper on to the model kit surface with a cotton stick.  
用棉花棒轻推贴纸表面使其从底纸滑出至模型表面之正确位置。
5. When decal get dry then complete.  
待其自然干透后即完成。

### ICON INSTUCTION: 图标说明：



Open Hole  
钻孔



Remove  
切除



Make 2 pics  
同样的制作二组



Bend  
曲折



Optional  
可以选择采用



Apply Decal  
贴上水贴纸



Instant Glue For Metal  
瞬间接着剂,金属用



Fill Hole  
把孔填平



Do not cement  
不用粘合

### COLOR SUGGESTION: 涂装指引：

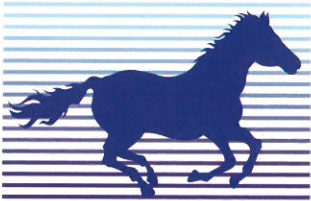
Color 涂料表	MR. Hobby	Hobby Color	Humbrol	Tamiya
Silver 银色	C-8	H-8	11	X-11
Copper 铜色	C-10	H-10	12	XF-6
Dark Green 深绿色	C-15	H-36	30	XF-61
Steel 黑铁色	C-28	H-18	53	XF-10
Flat Black 亚光黑色	C-33	H-12	33	XF-1
Dark Yellow 暗黄色	C-39	H-79	66	XF-60
Red Brown 红咖色	C-41	H-47	160	XF-64
Wood Brown 木棕色	C-43	H-27	9	XF-57
Metal Gray 金属灰色	/	/	56	XF-56
Khaki Green 卡其绿色	C-54	H-80	/	/

### READ BEFORE ASSEMBLING: 组装必读：

- Carefully Study instruction before assembling. 组装前请阅读清楚制作指引。
- Keep plastic model glue and tools away from children. 胶水,油漆及工具勿让小孩接触。
- Do not use cement or paint near open flame or sparks. 胶水及油漆勿接触火种。
- Do not work in closed room. 勿在密封地方制作模型。

Printed in China

PARTS LIST 零件指示表：



**BRONCO**

**Bronco Models**

Copyright © 2016

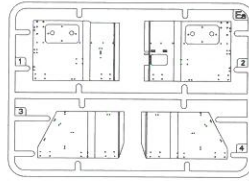
Made in China

中国制造

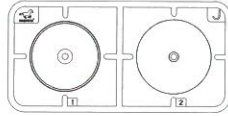
No use parts  
不要部件



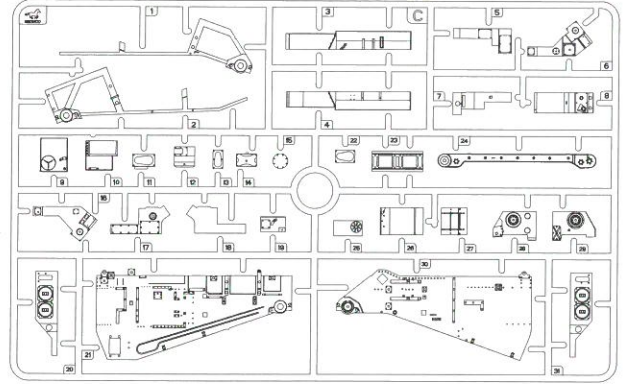
(Ea) × 1



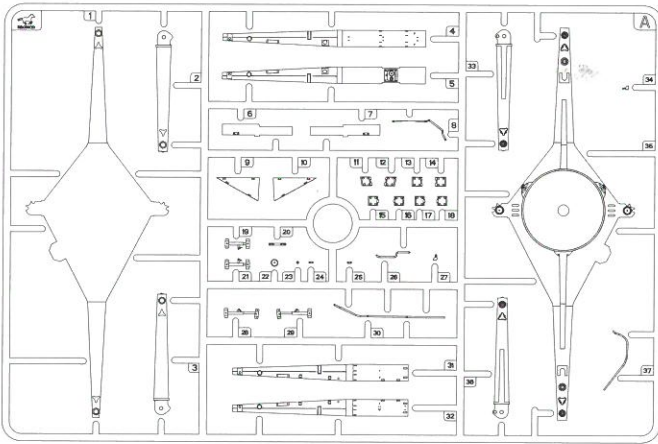
(J) × 1



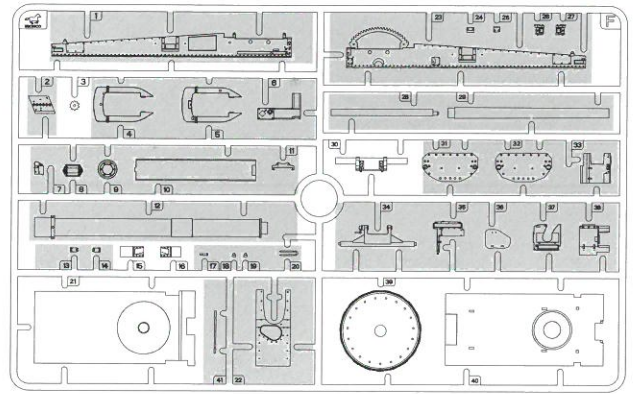
(C) × 1



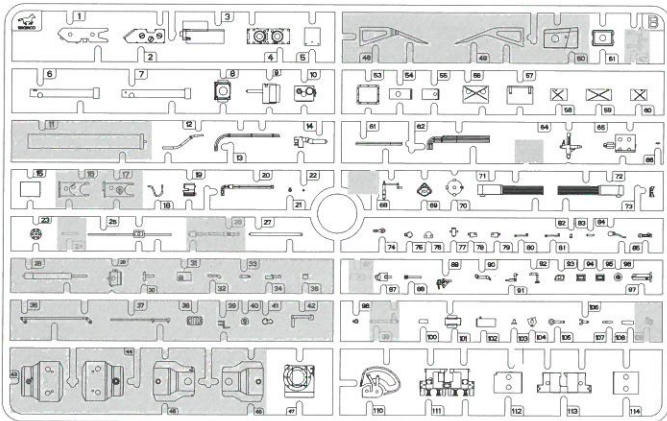
(A) × 1



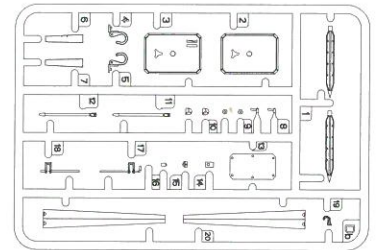
(F) × 1



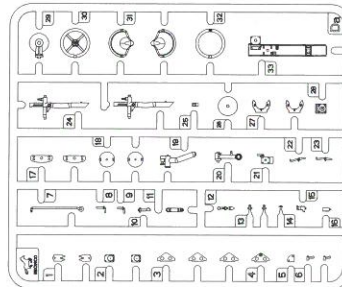
(B) × 1



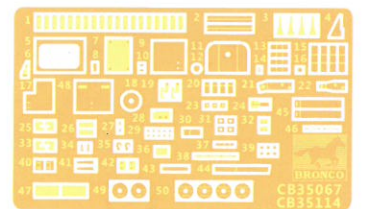
(Db) × 2



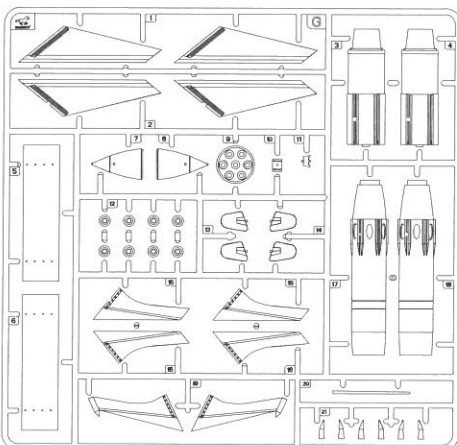
(Da) × 2



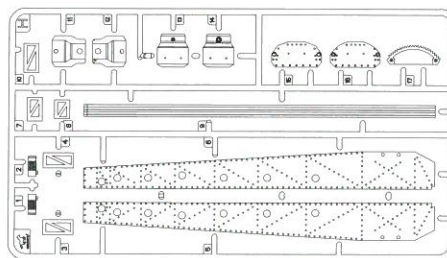
(P) × 1



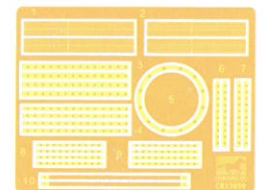
(G) × 1



(H) × 1



(Pa) × 1



DECAL × 1



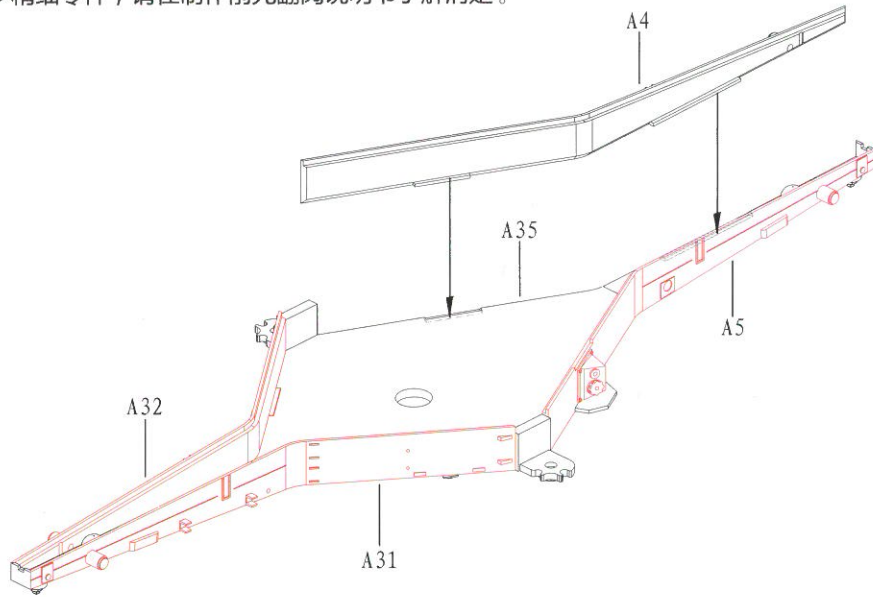
**CB35050**

# ILLUSTRATION 图示说明：

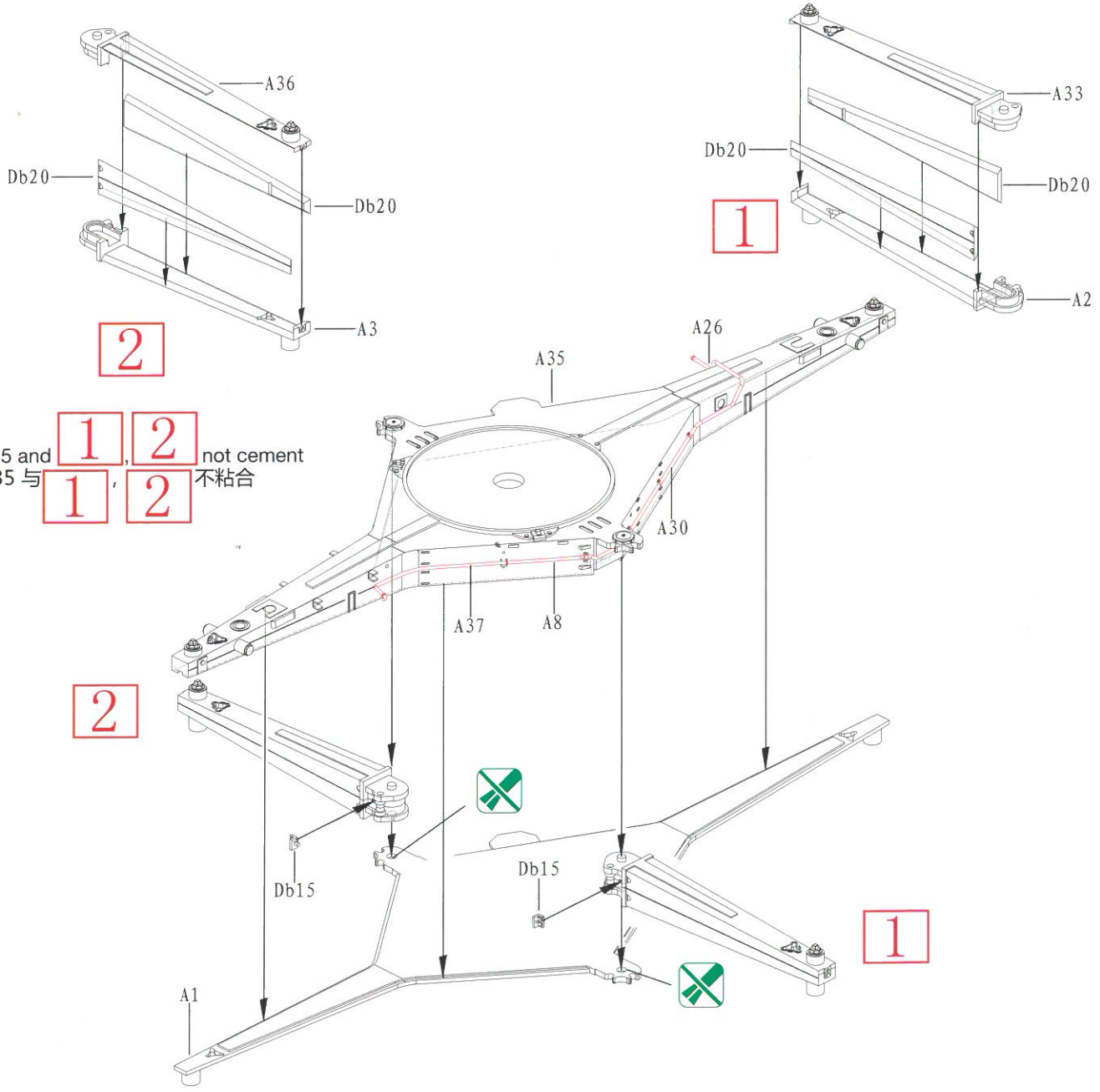
Caution:

1

This kit contents a lot of small accurate parts, please carefully to read before to assembly.  
此套件包含不少精细零件，请在制作前先翻阅说明书了解清楚。



2



★ A1, A35 and A1, A35 not cement / 不粘

1 2  
1 2

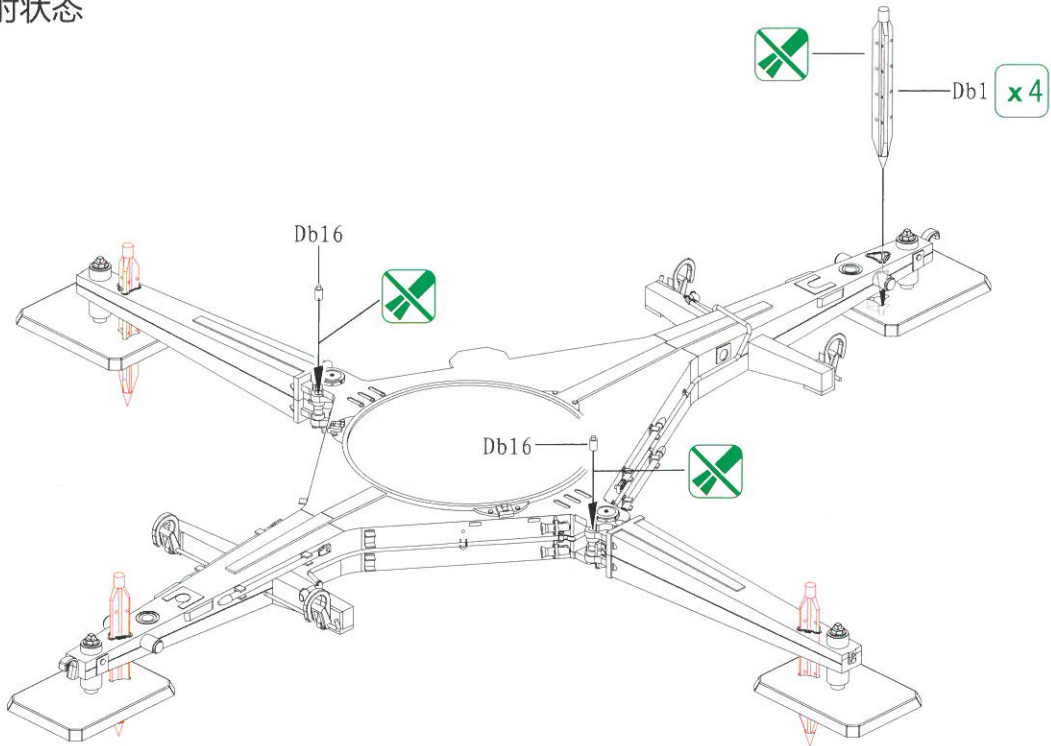
2

1



5

Launching State  
发射状态



6

Transport position  
运输状态

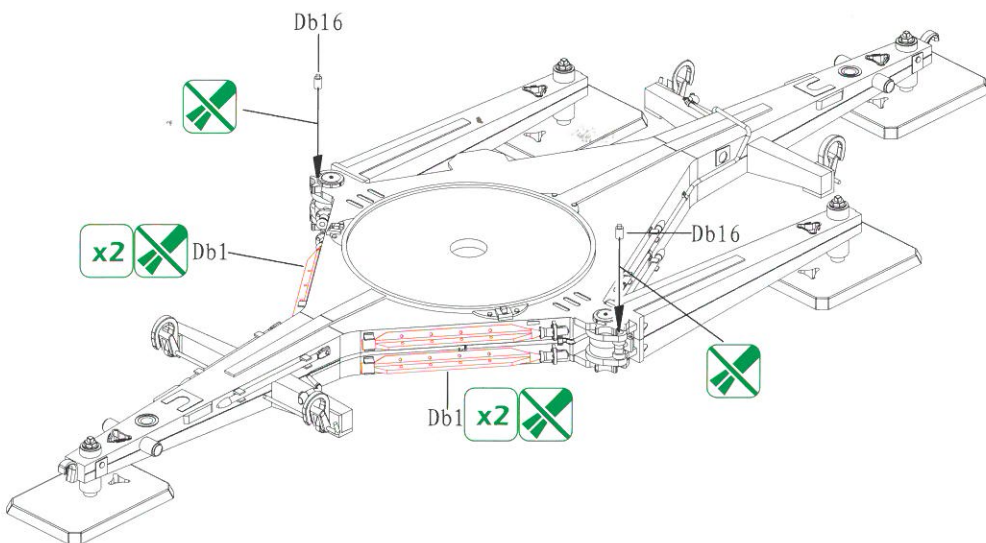
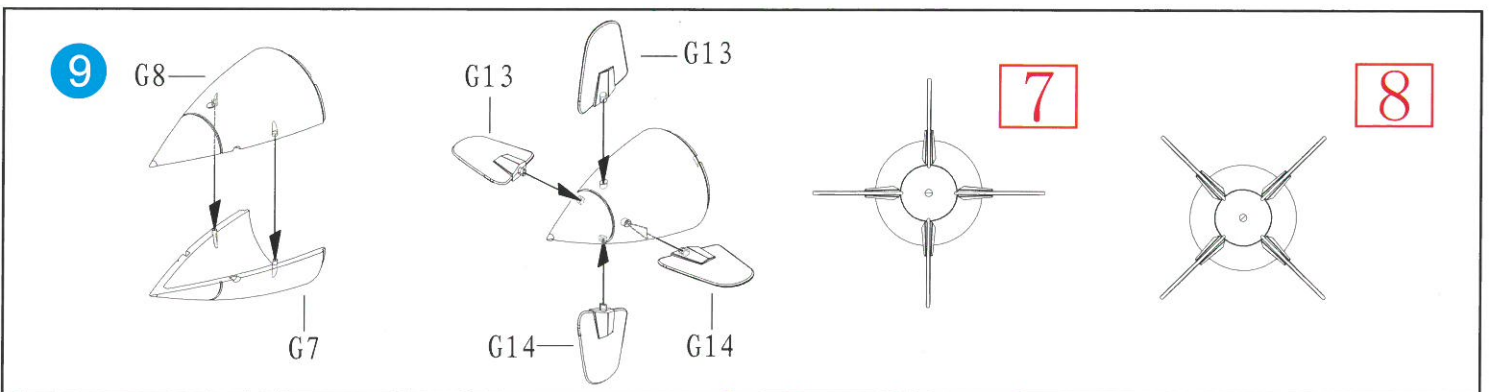
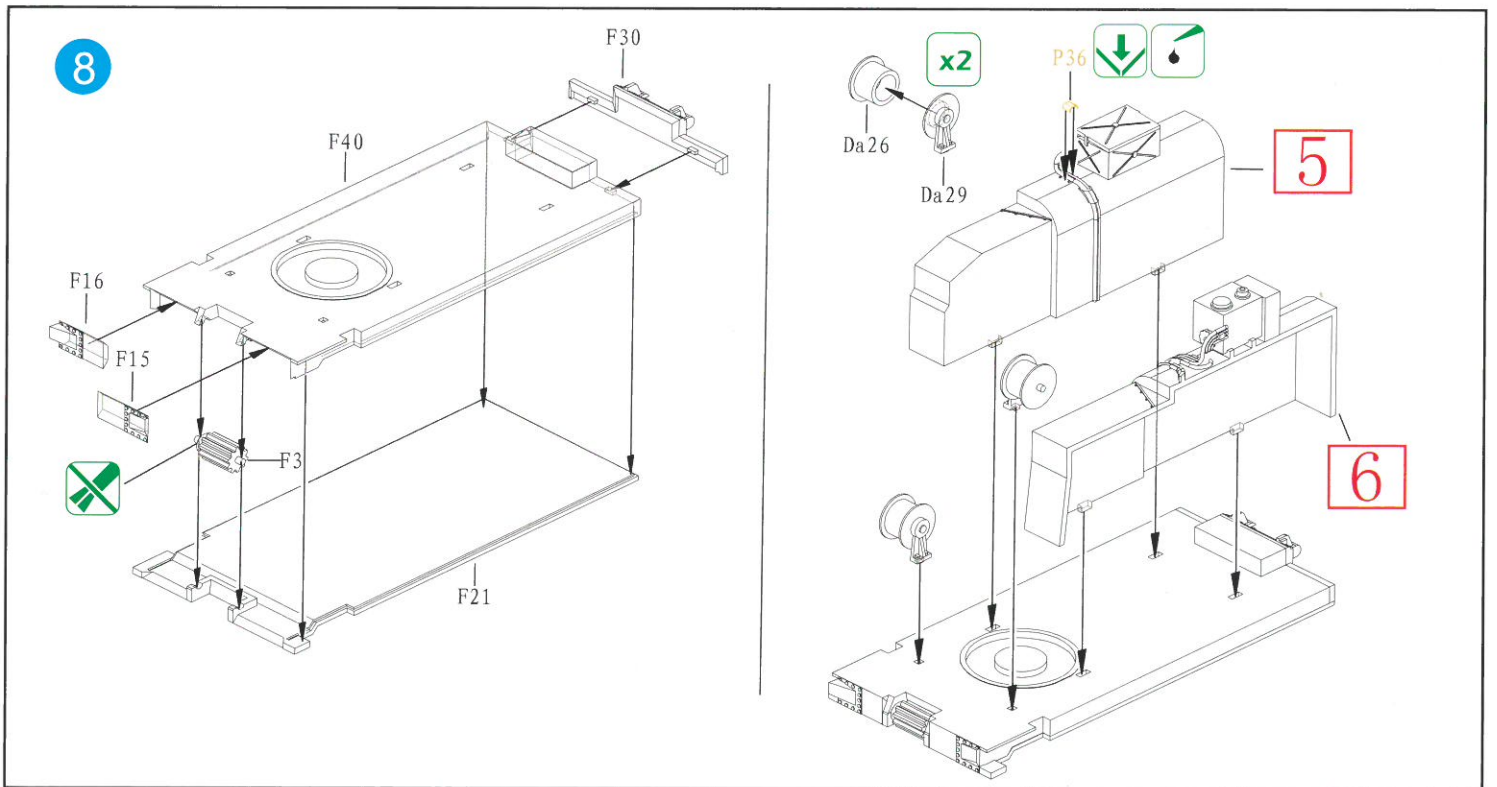
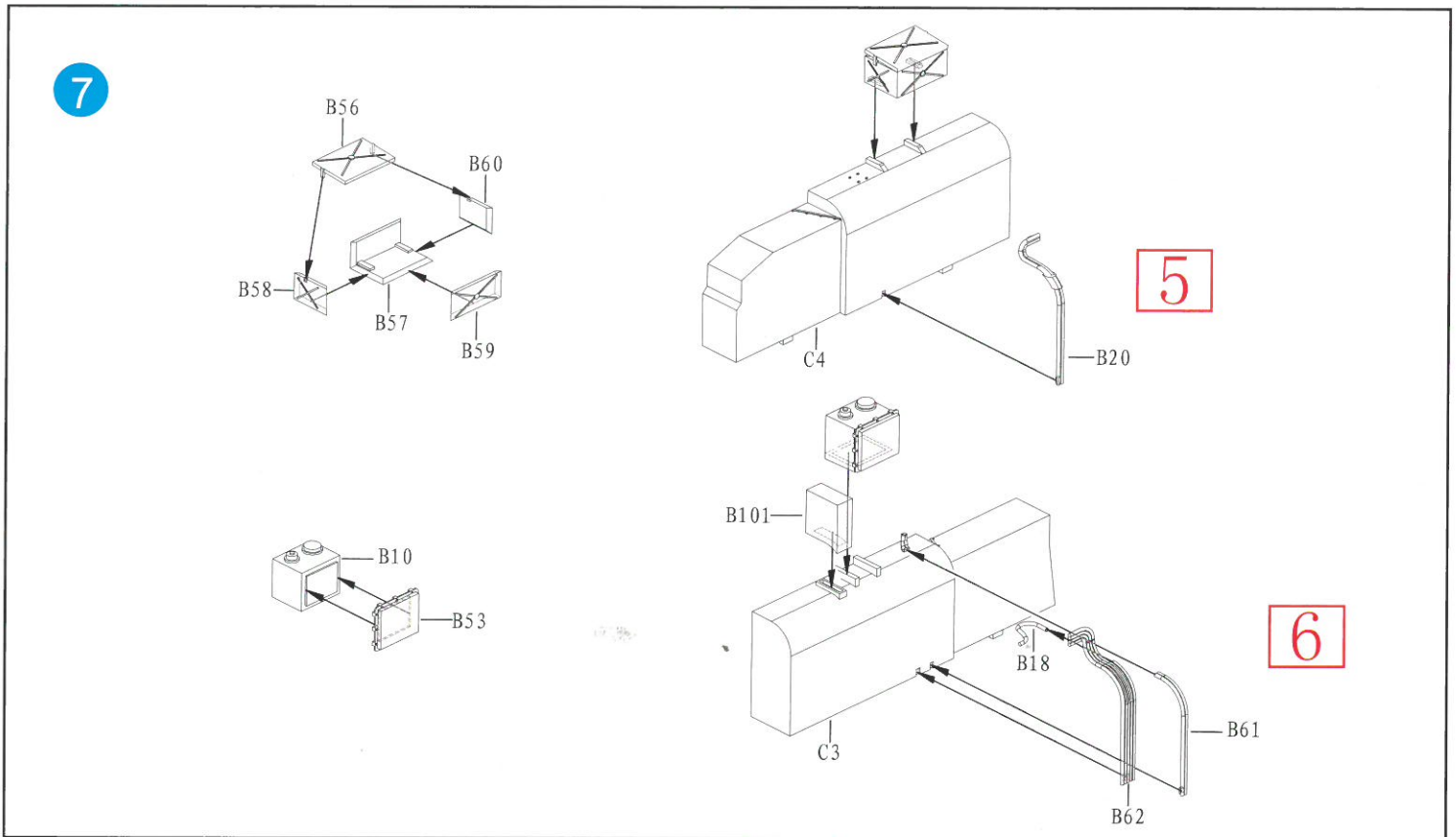


ILLUSTRATION 图示说明：

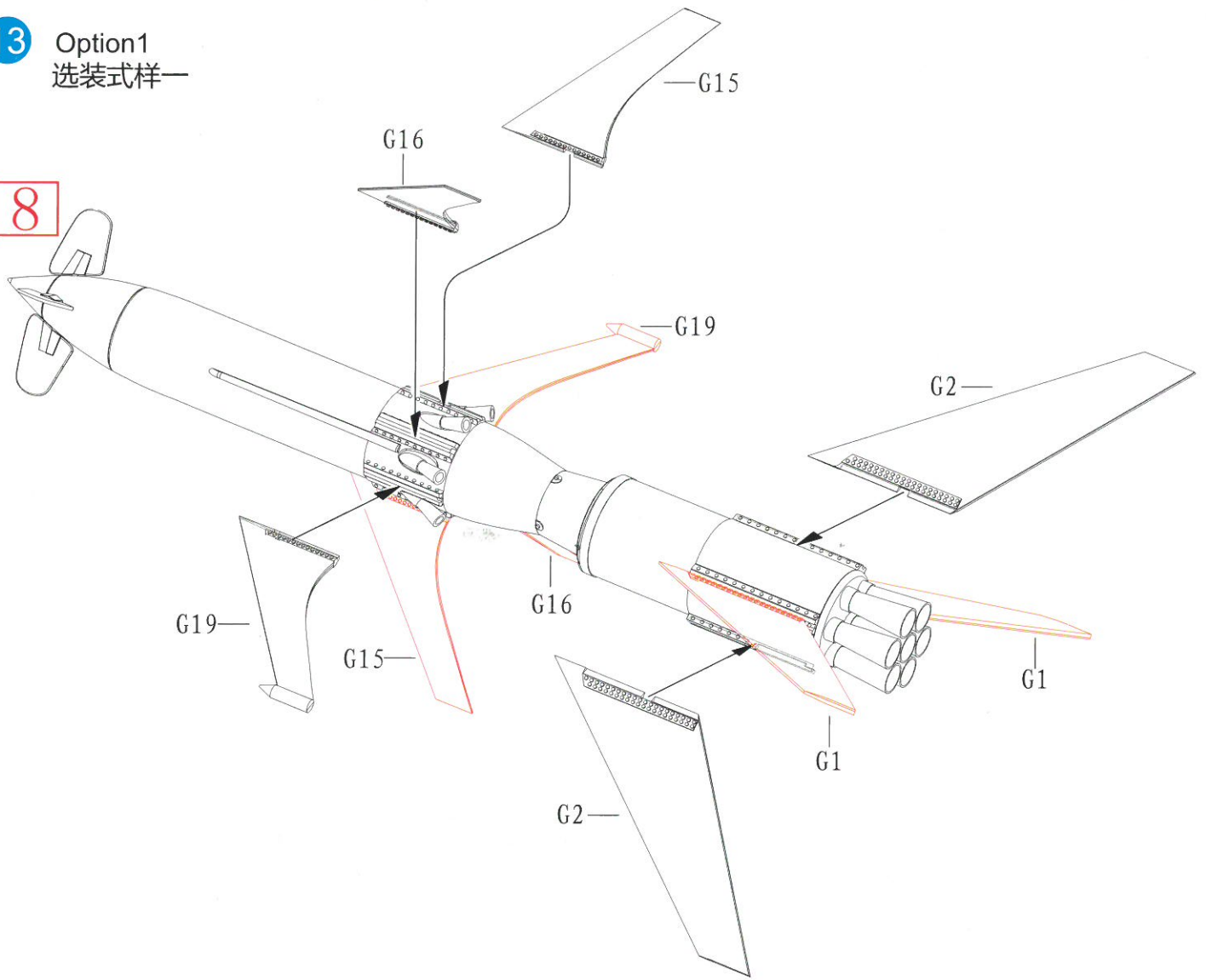






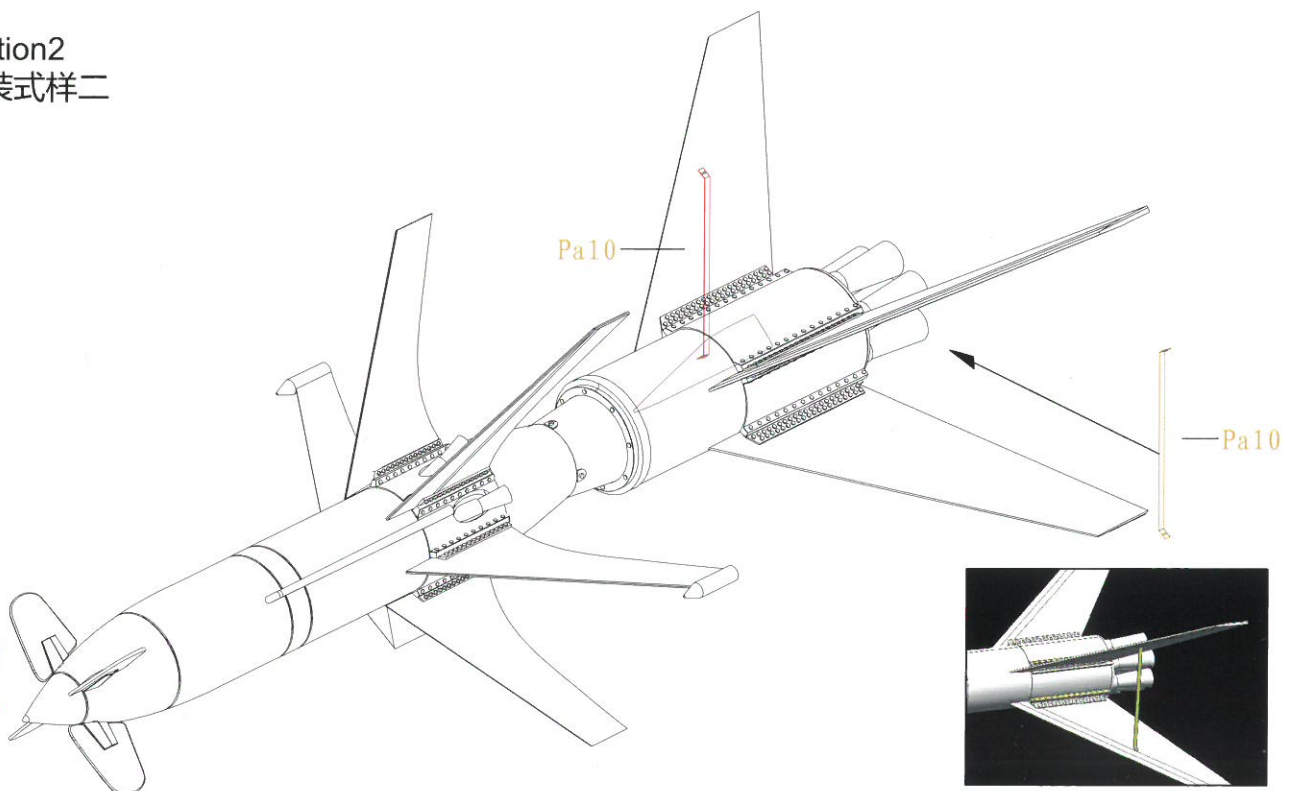
13 Option1  
选装式样一

8



14 Option2  
选装式样二

8



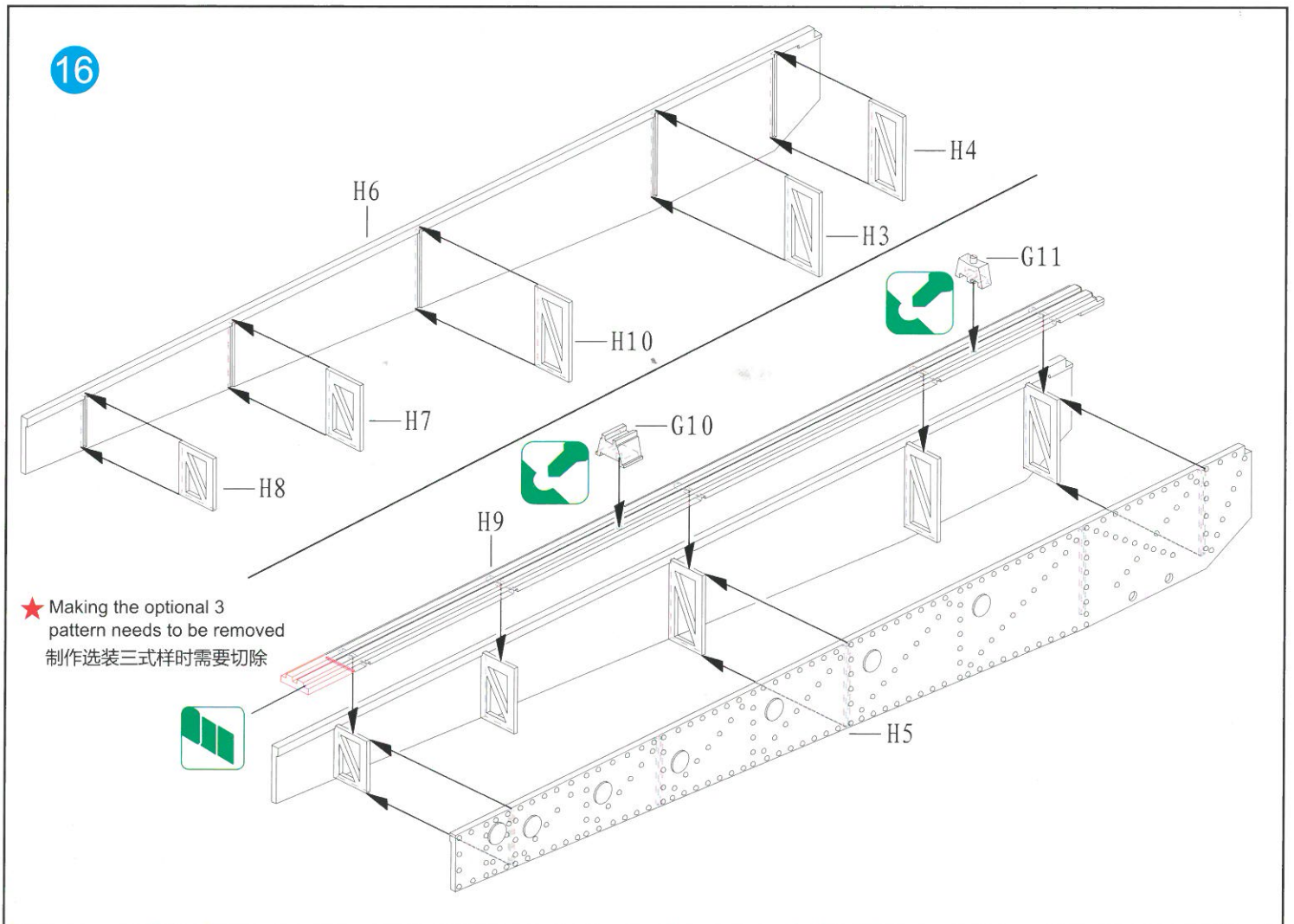
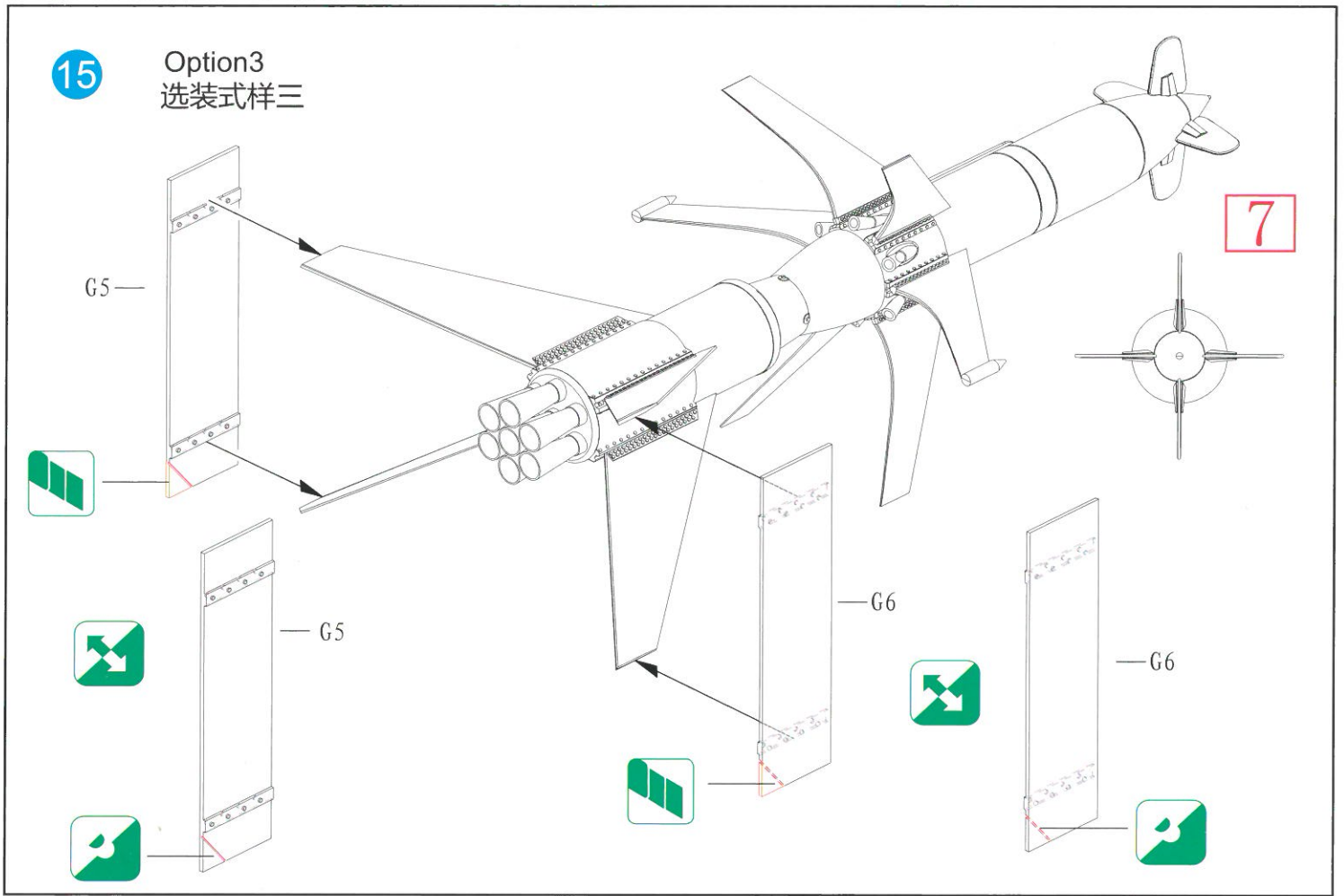
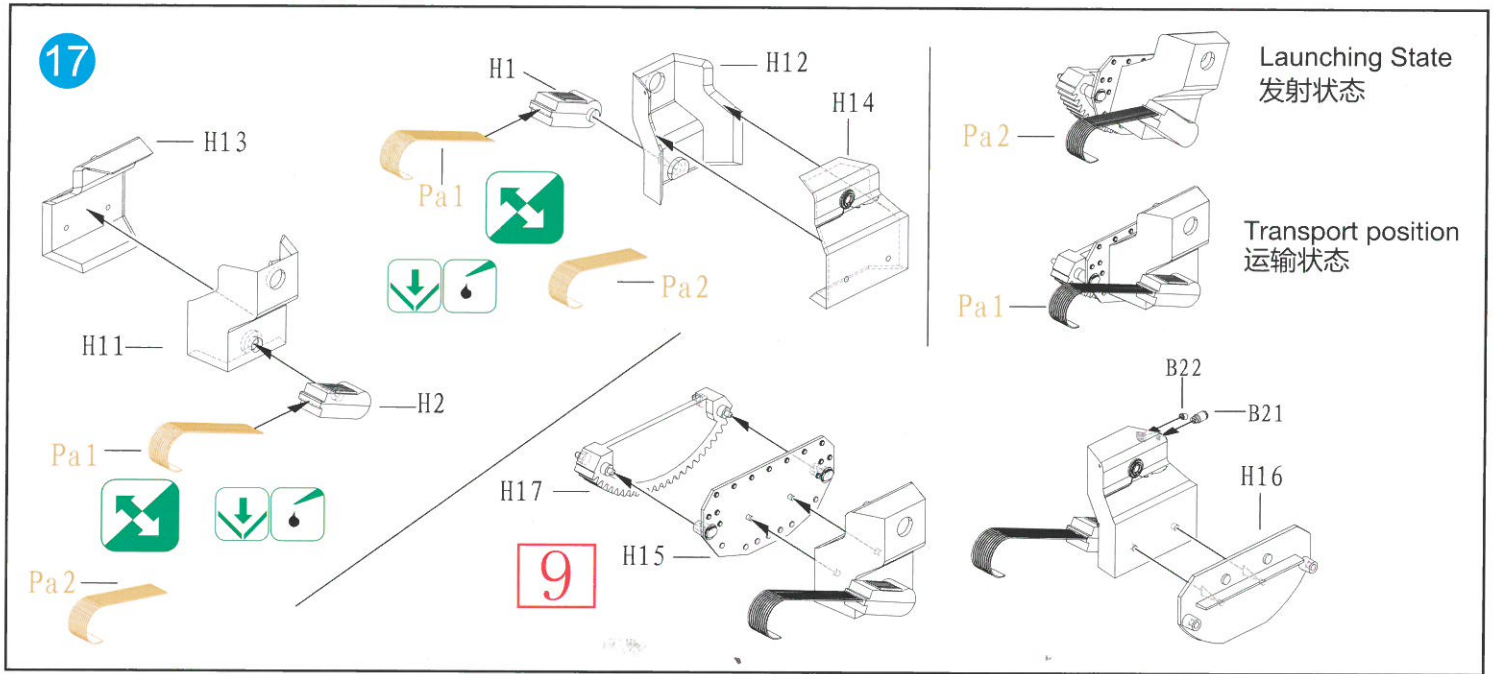
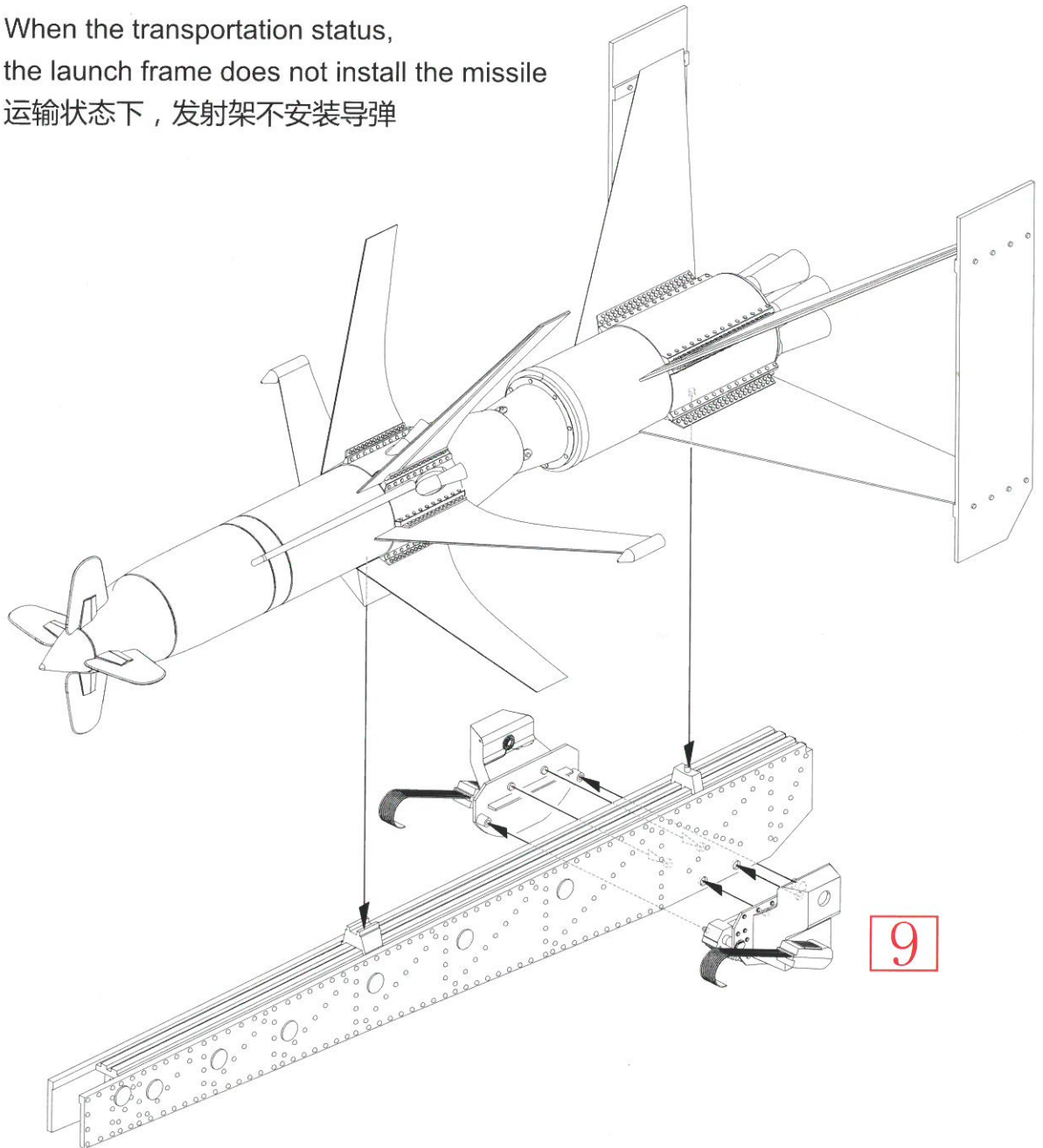


ILLUSTRATION 图示说明：

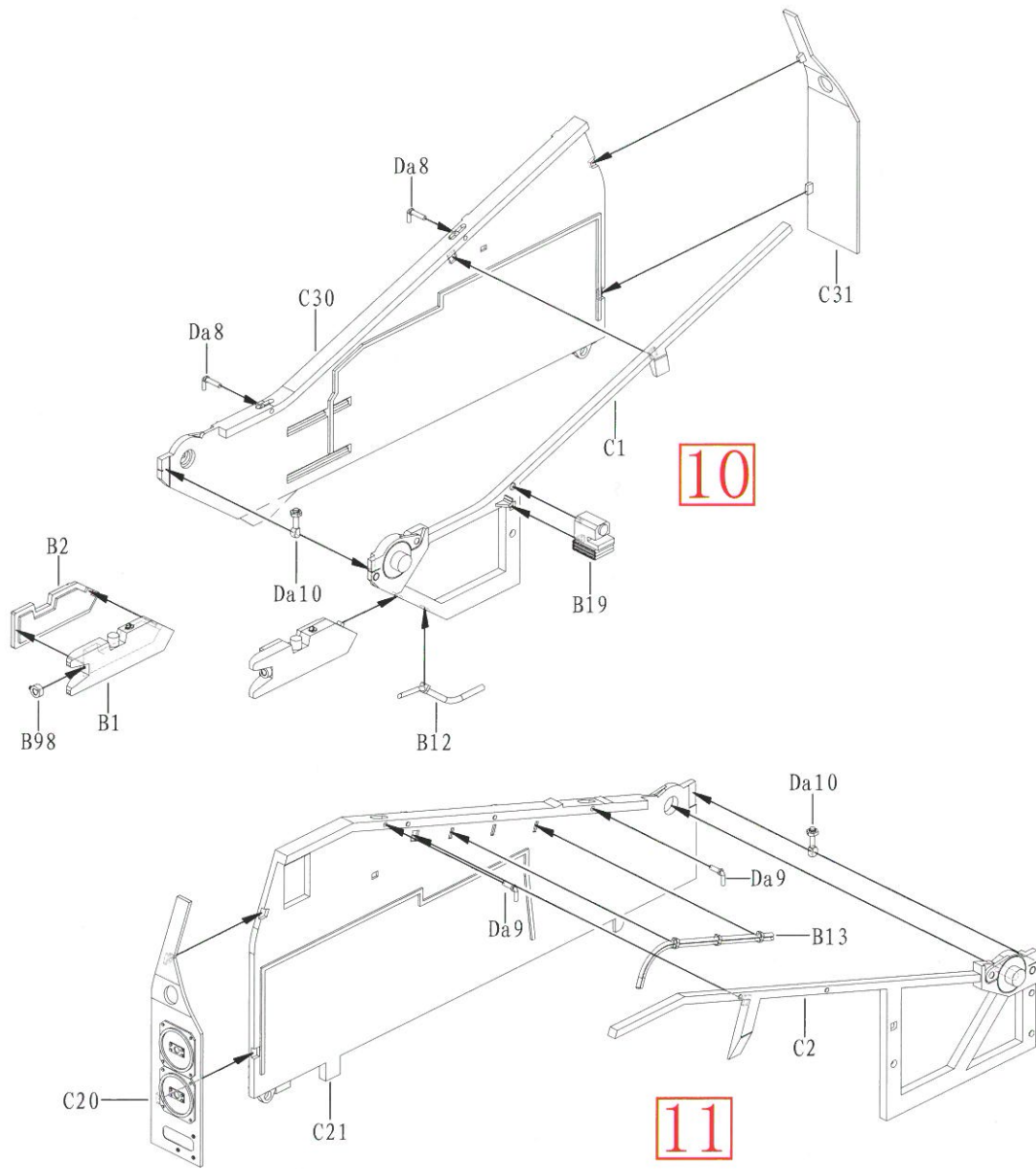


18

★ When the transportation status, the launch frame does not install the missile  
运输状态下，发射架不安装导弹



19



20

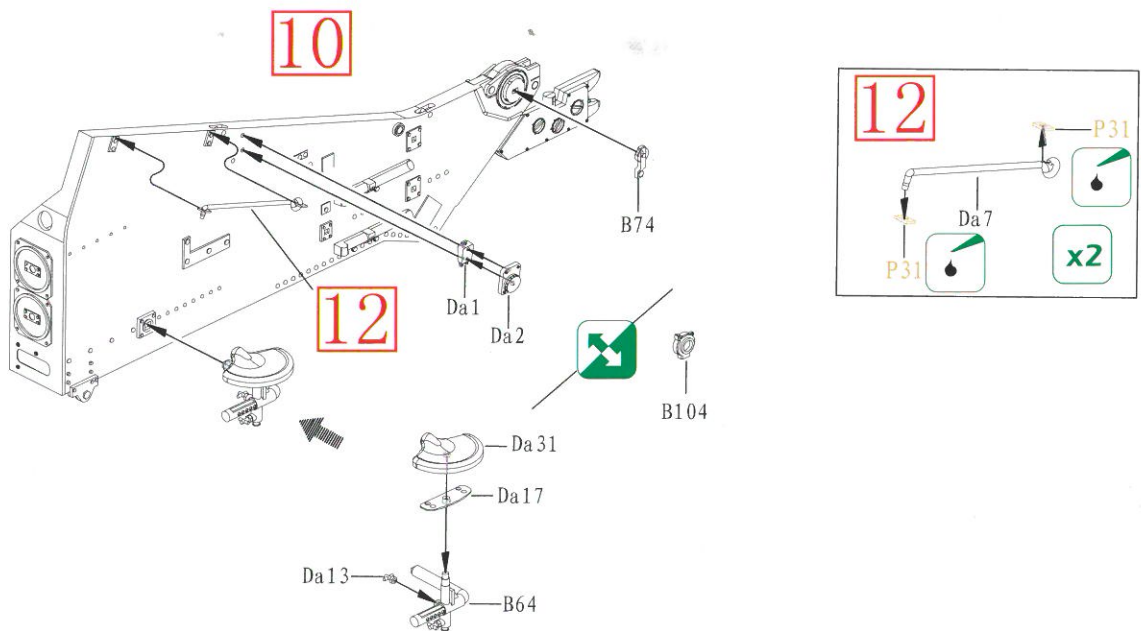
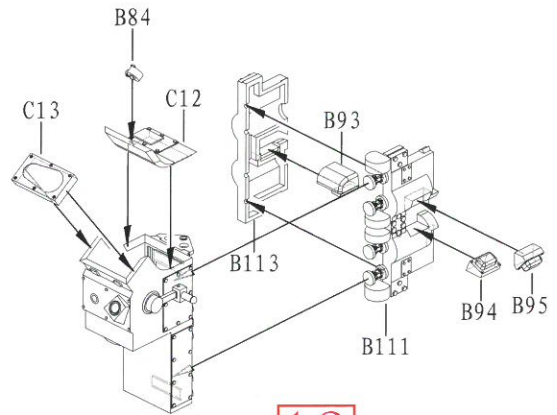
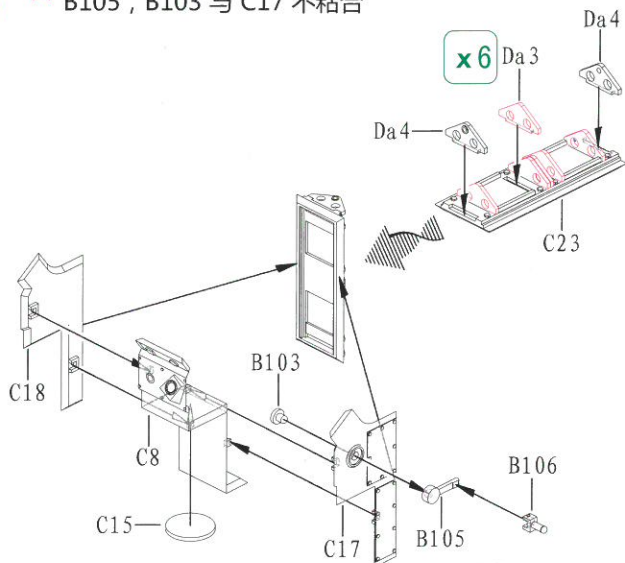


ILLUSTRATION 图示说明：

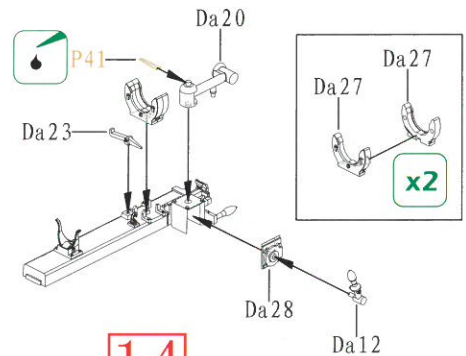
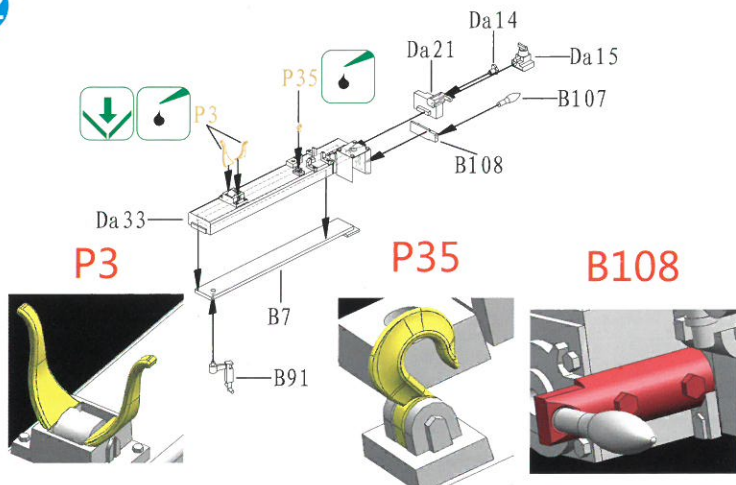
21

★ B105, B103 and C17 not cement  
B105, B103 与 C17 不粘合



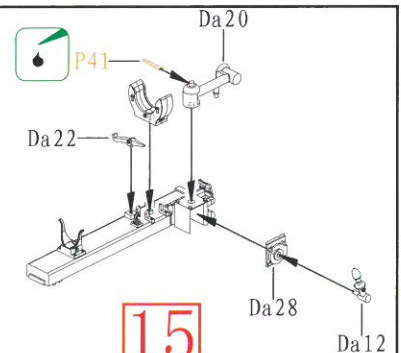
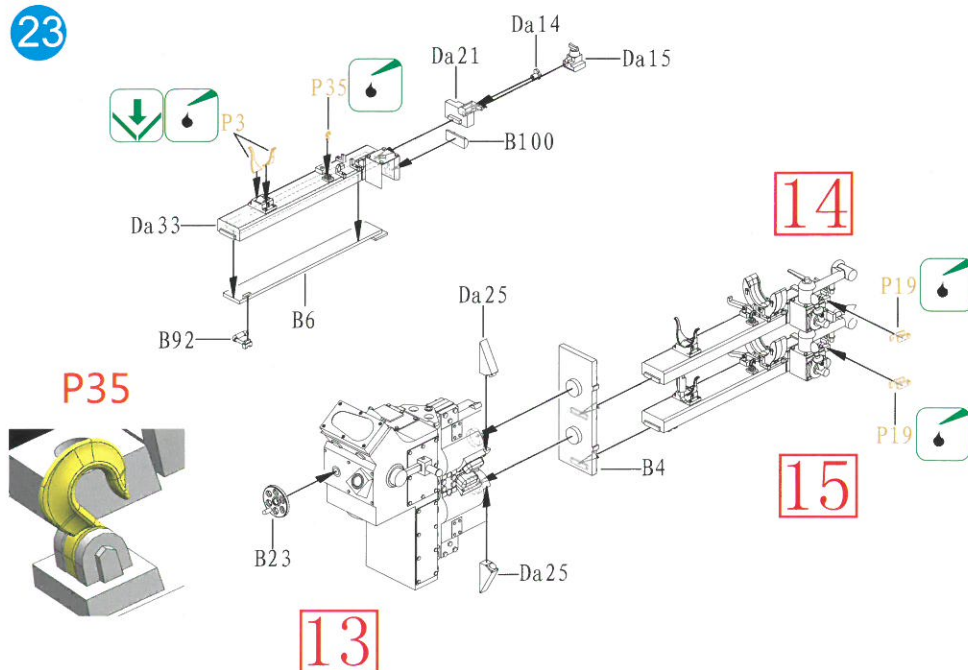
13

22

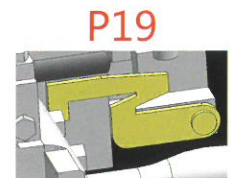


14

23



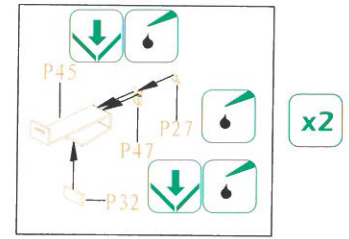
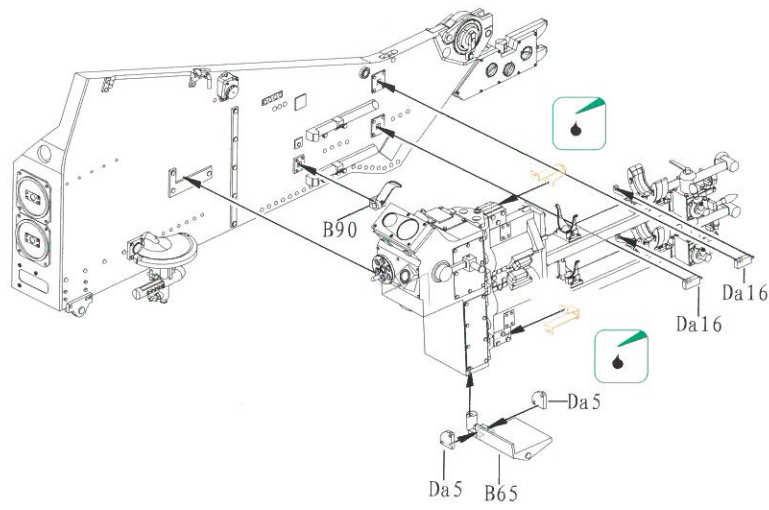
15



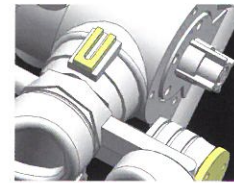
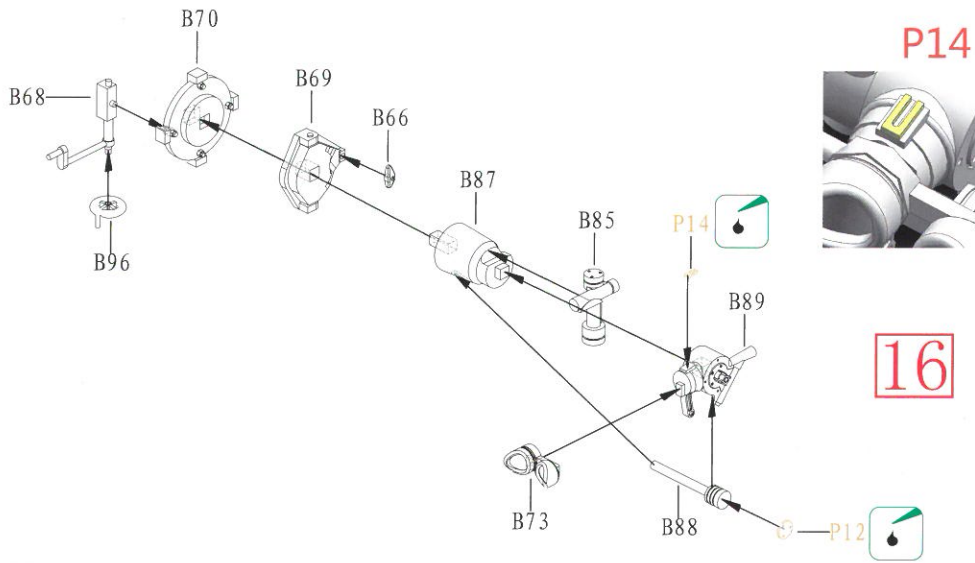
P19

13

24

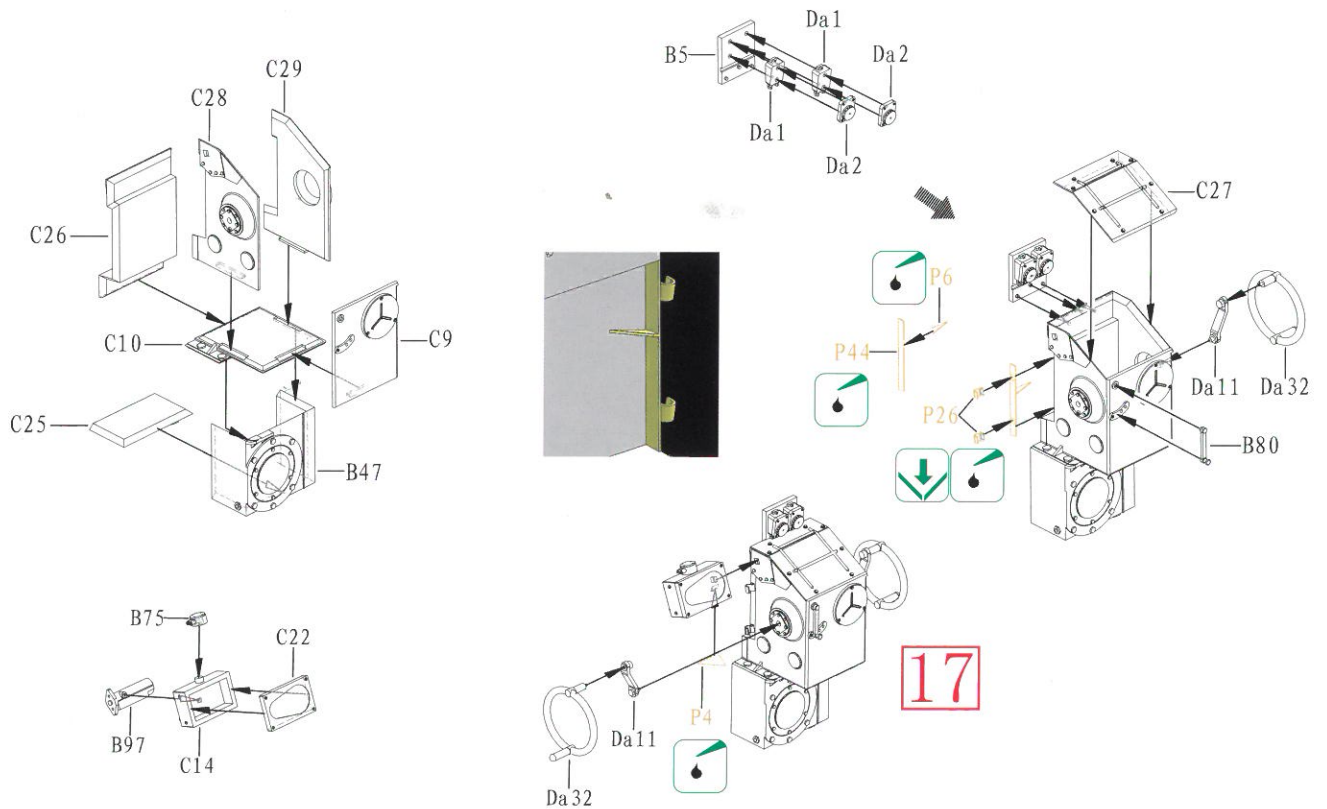


25



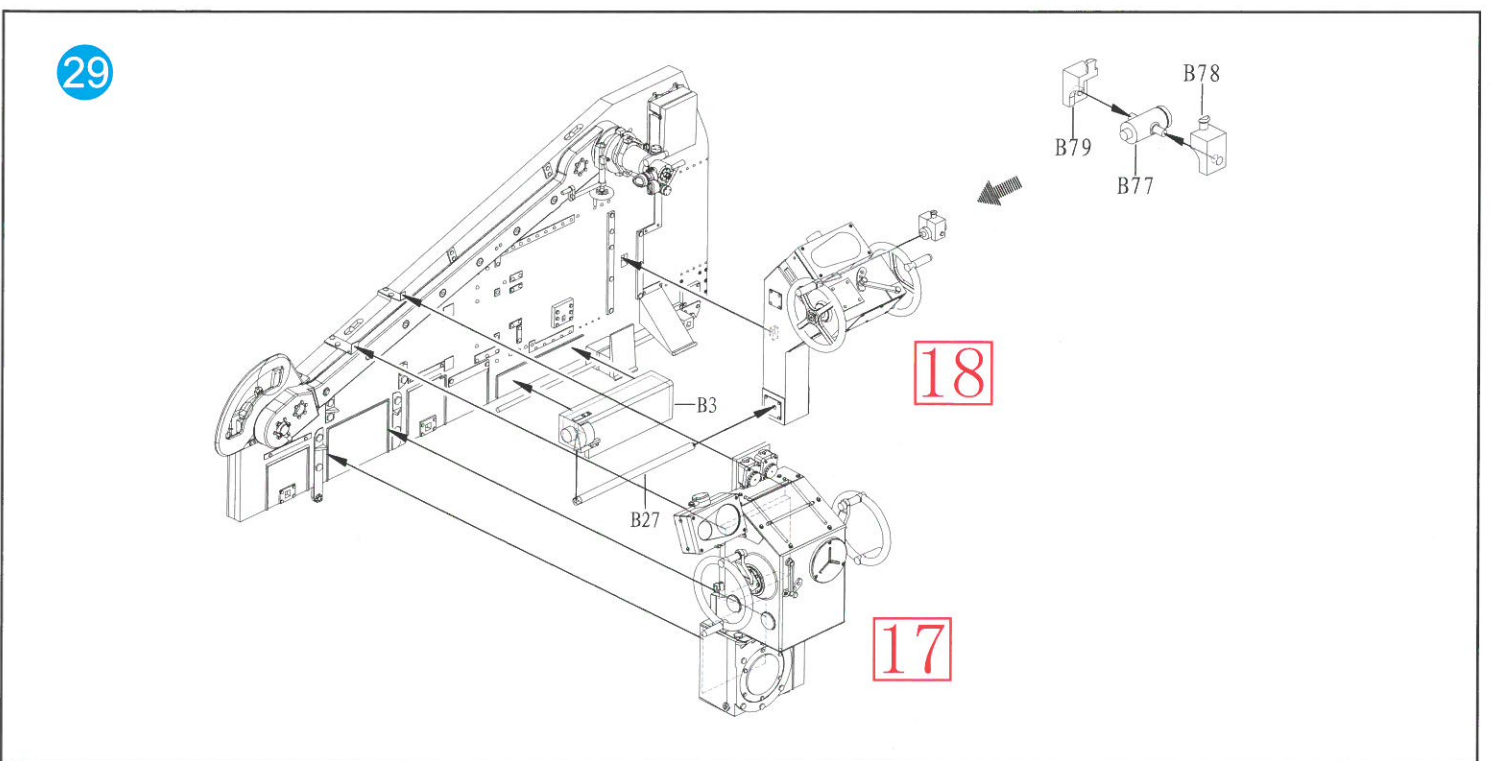
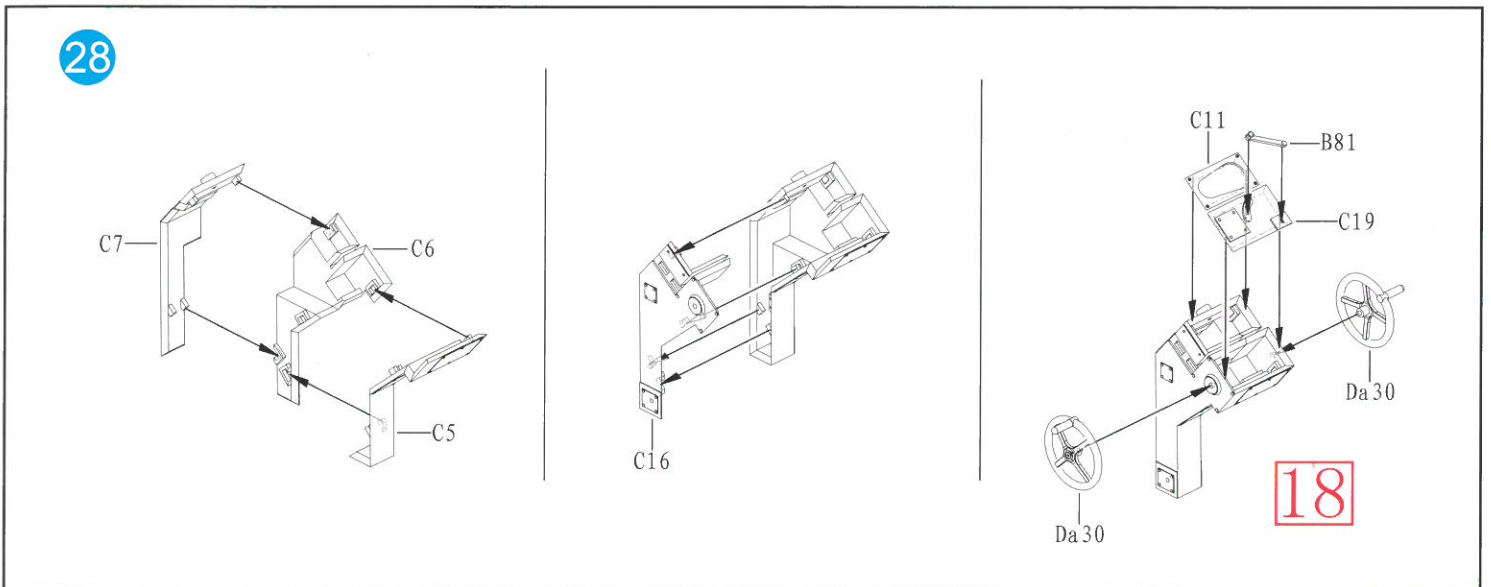
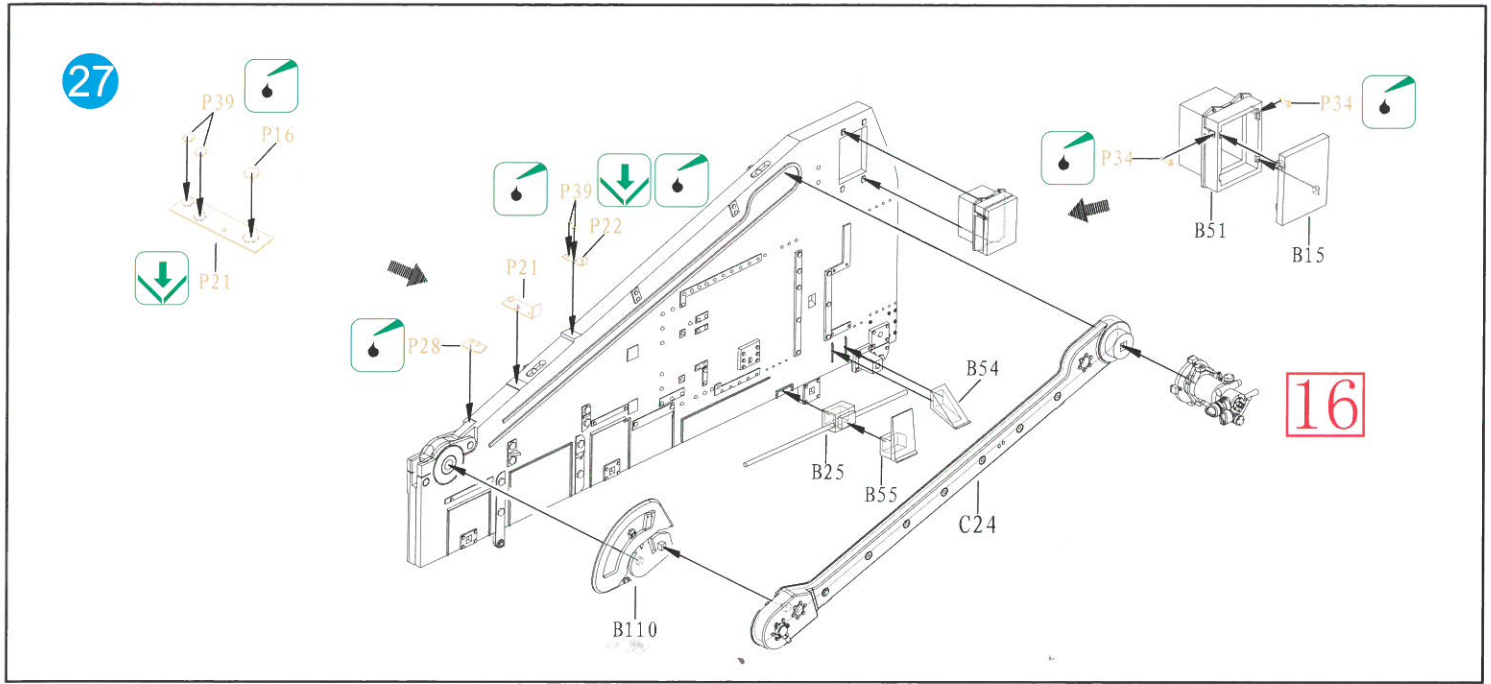
16

26

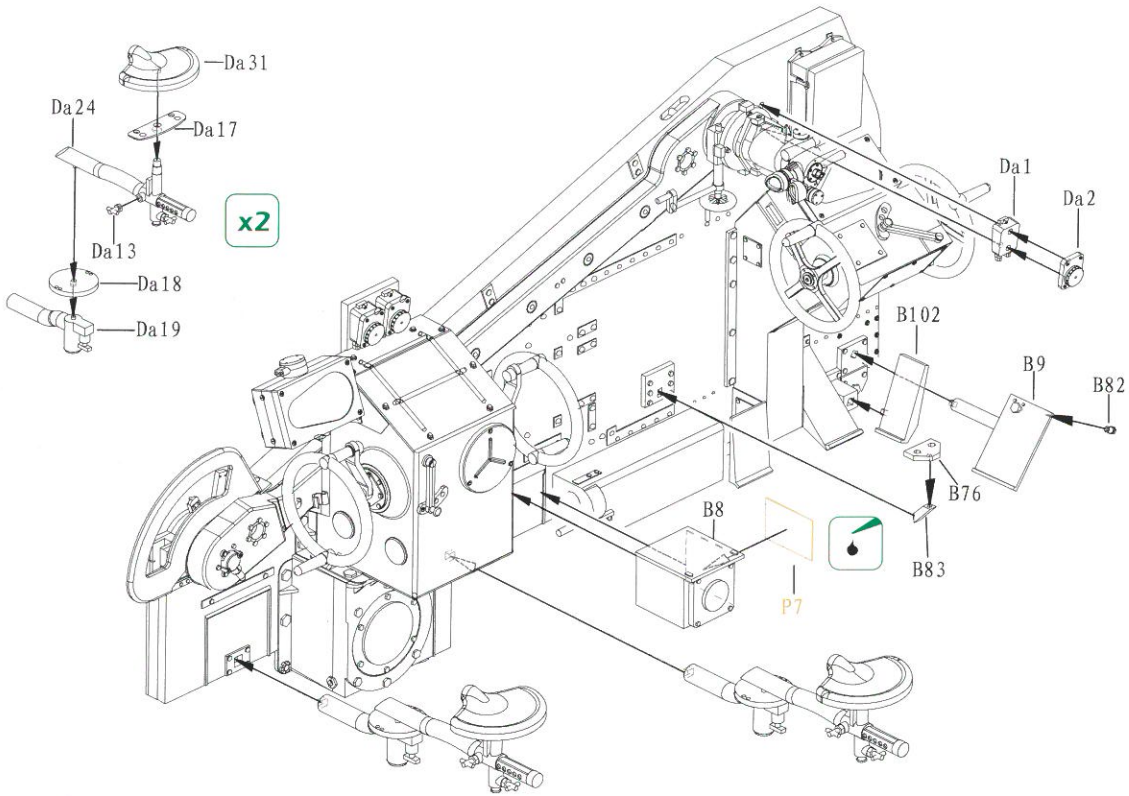


17

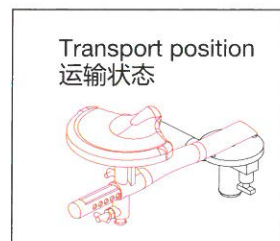
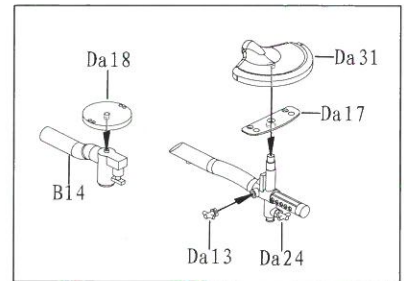
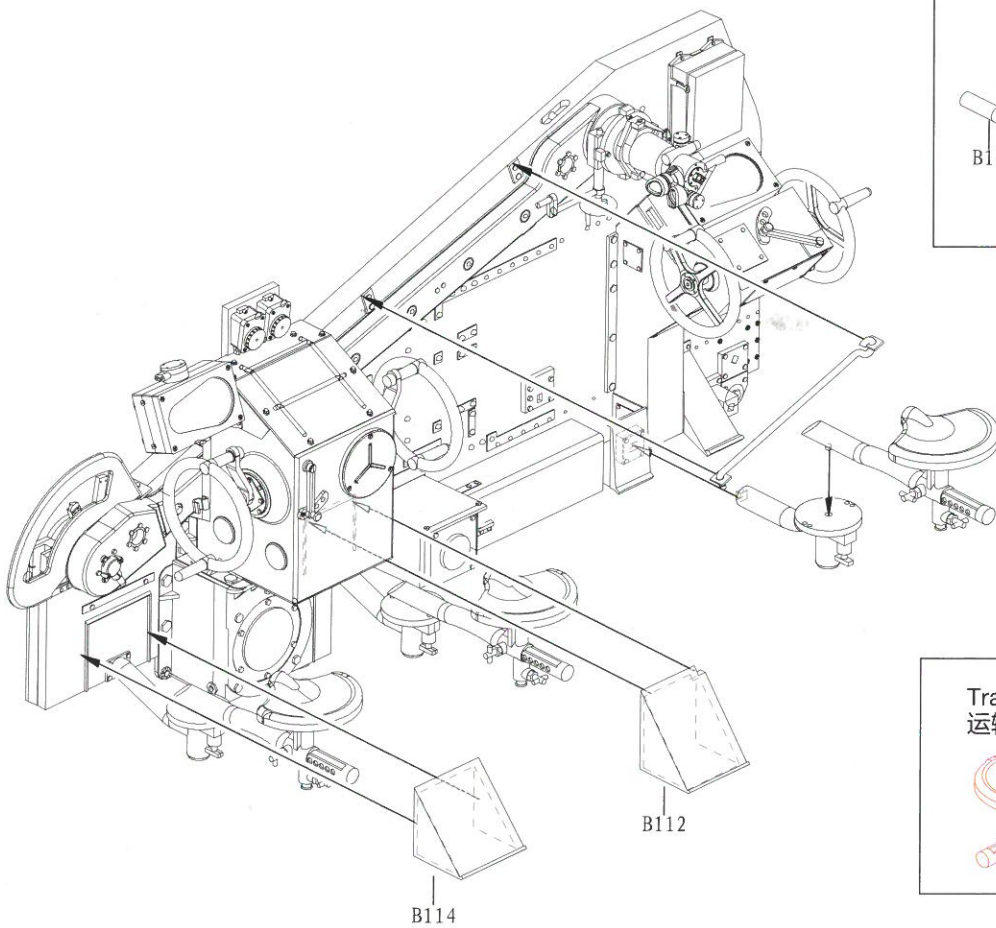
ILLUSTRATION 图示说明：



30

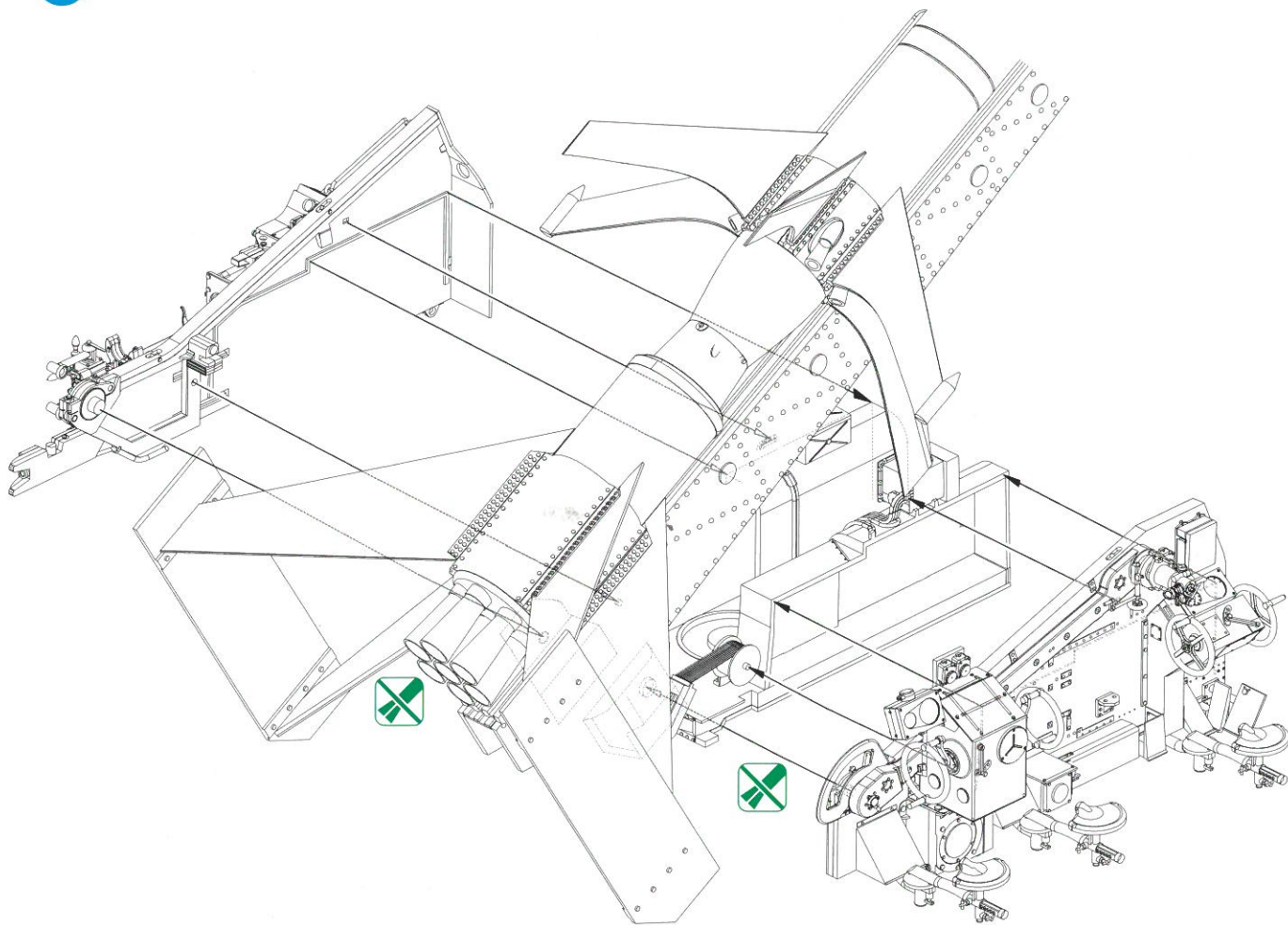


31





32



33

Right side  
右侧

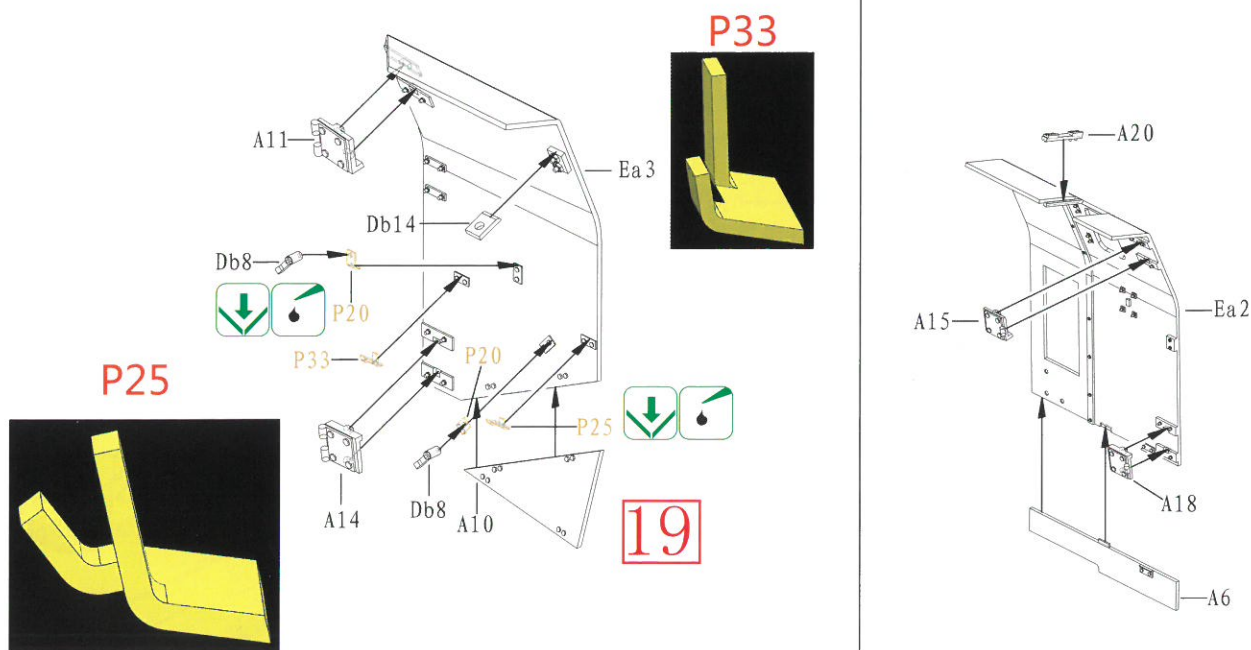
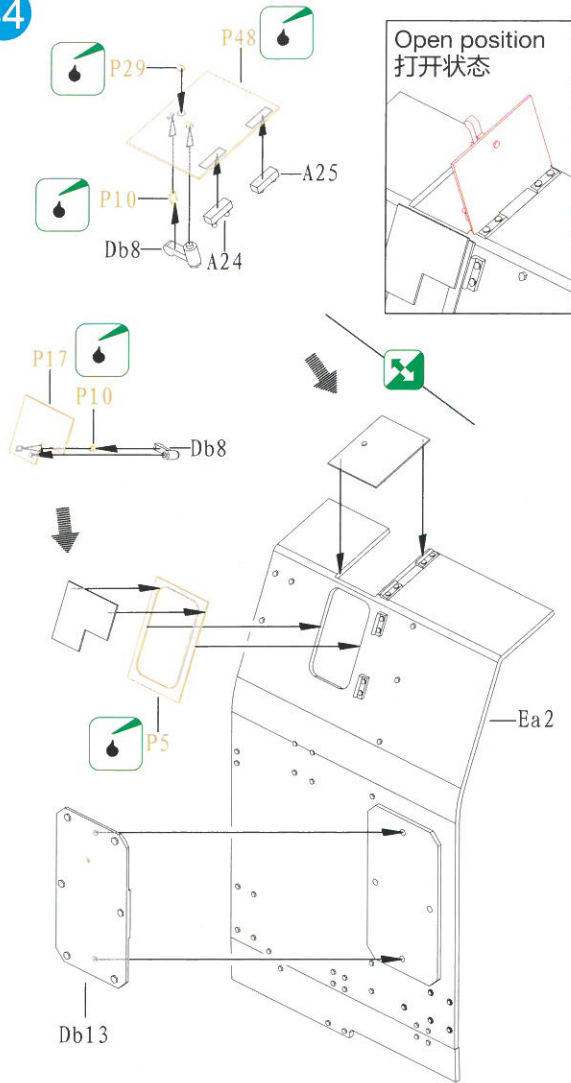
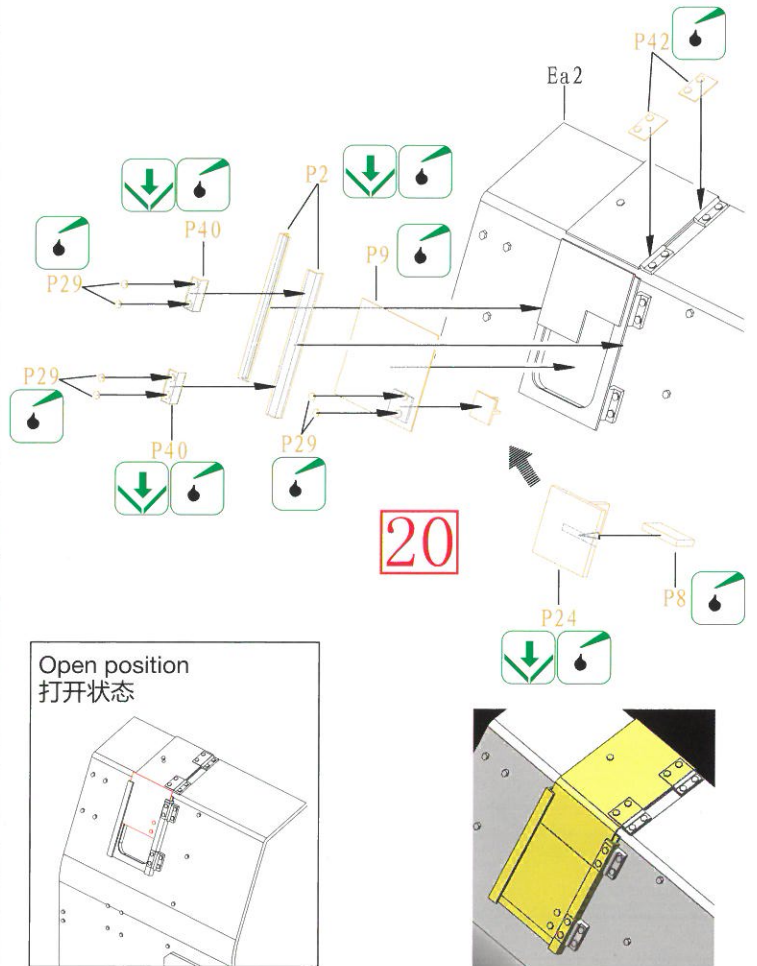


ILLUSTRATION 图示说明：

34



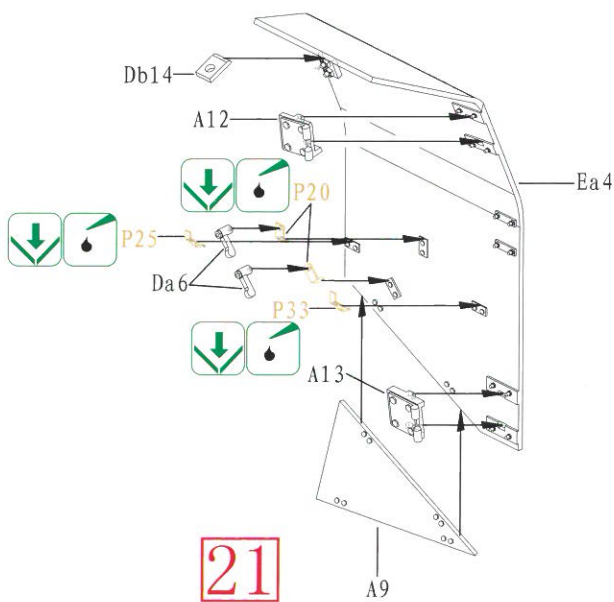
★ Ea2, P2 and P9 not cement  
Ea2, P2 与 P9 不粘合



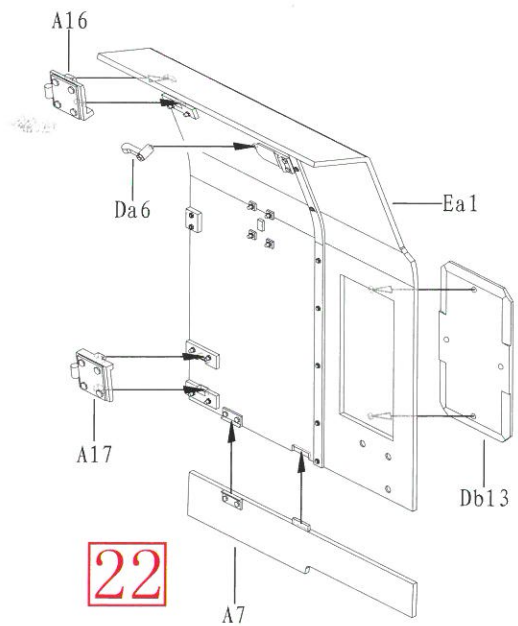
20

35

Left side  
左侧



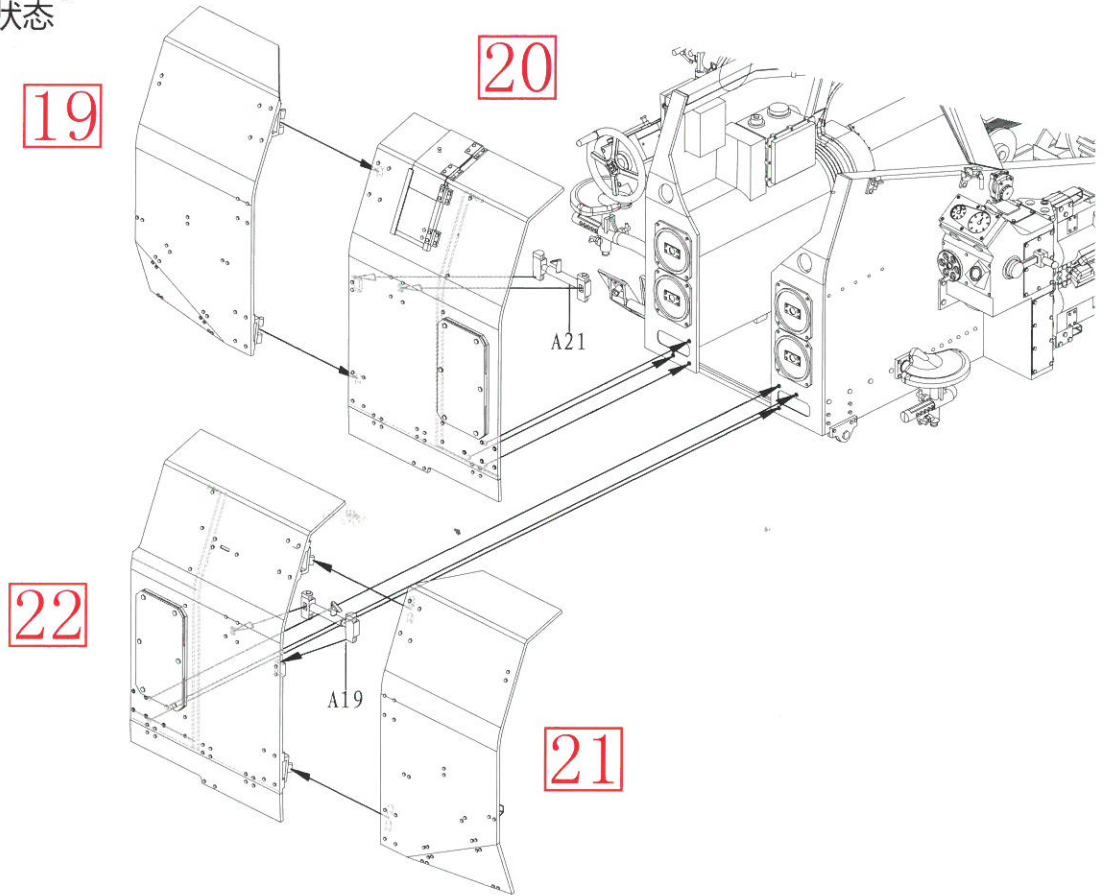
21



22

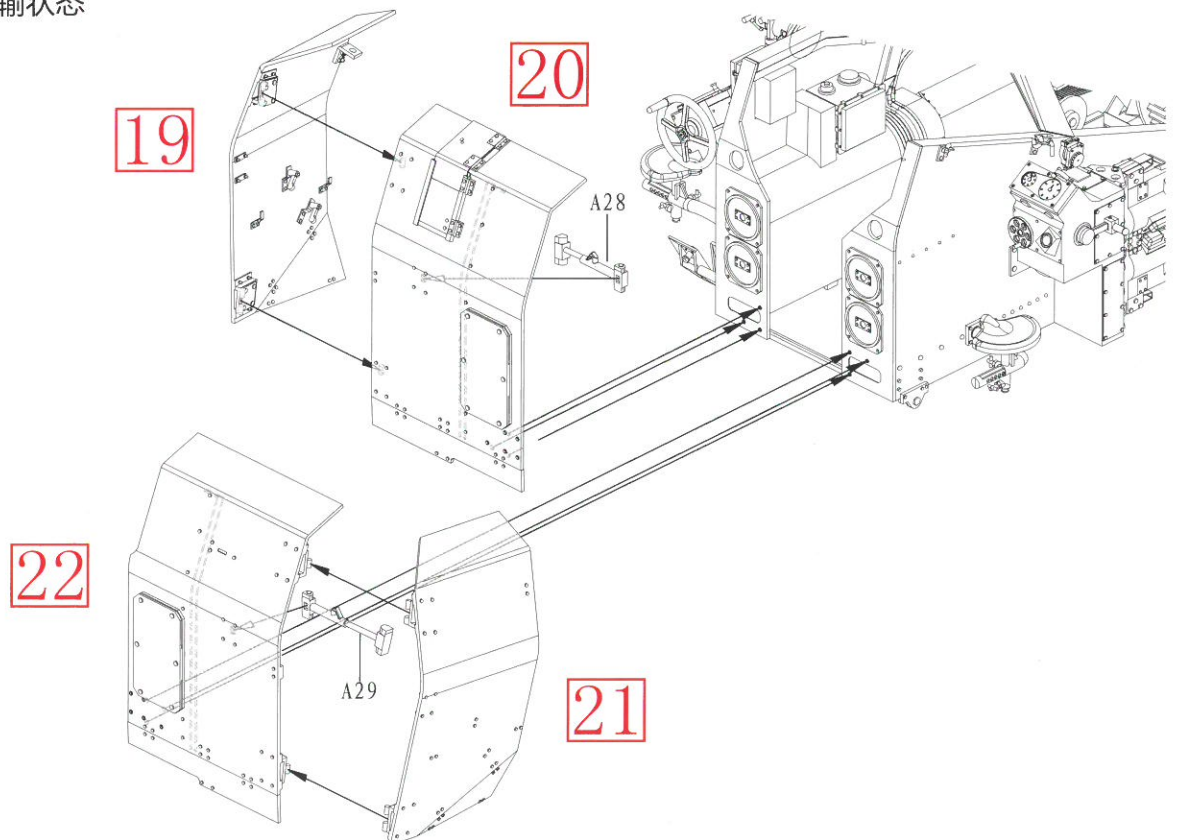
36

Launching State  
发射状态

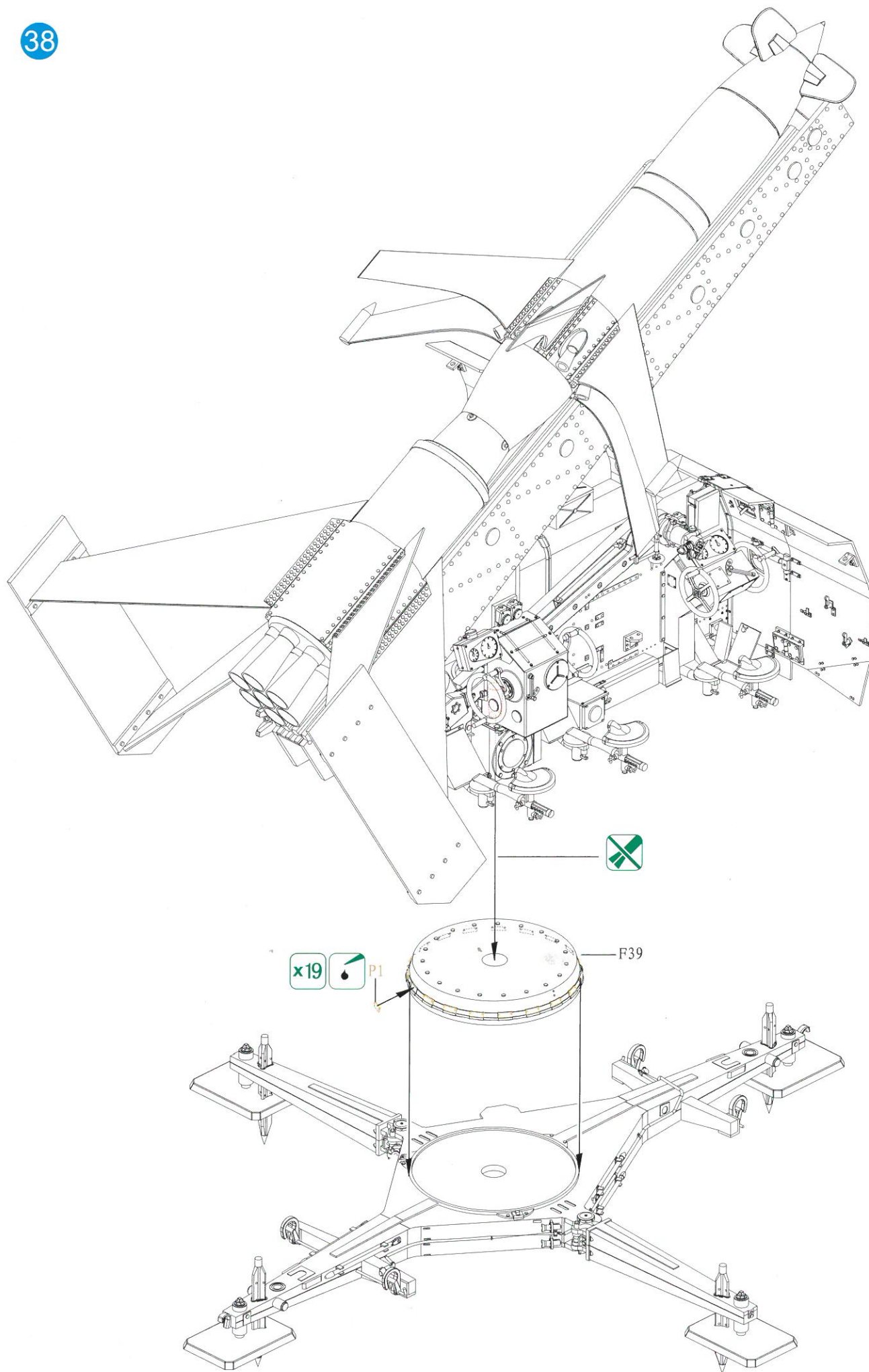


37

Transport position  
运输状态

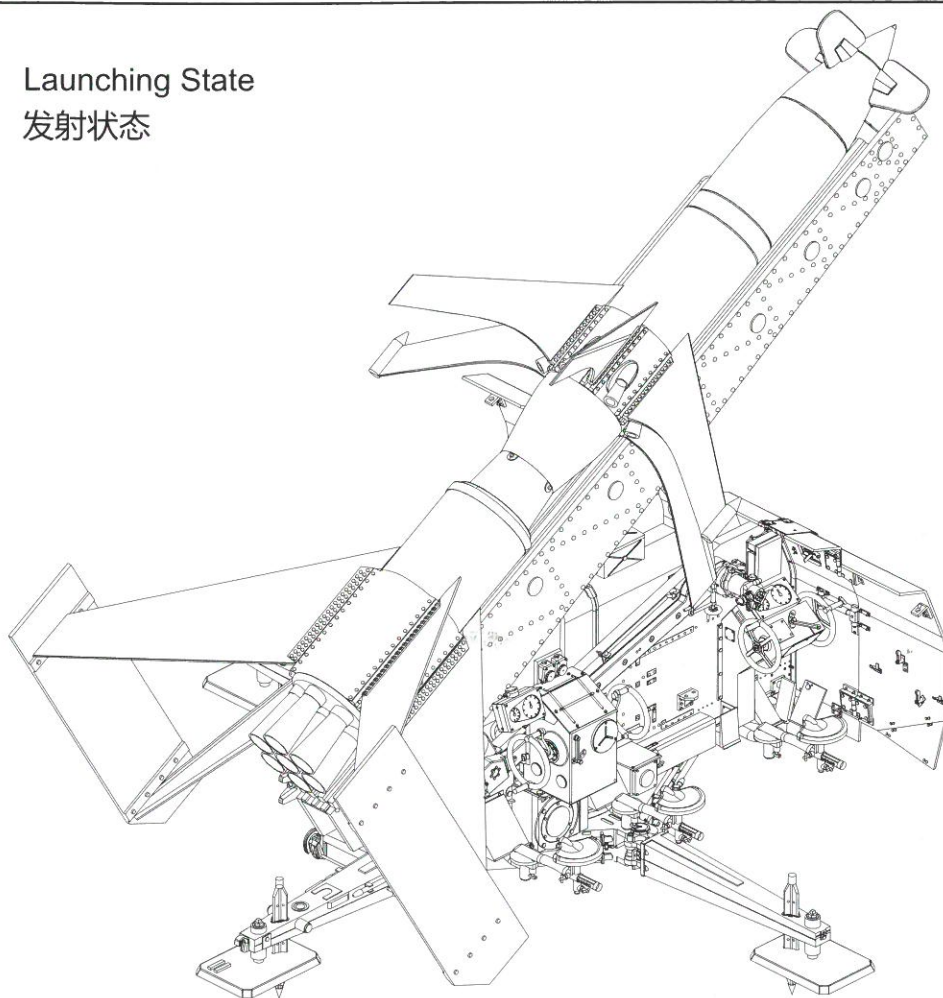


38



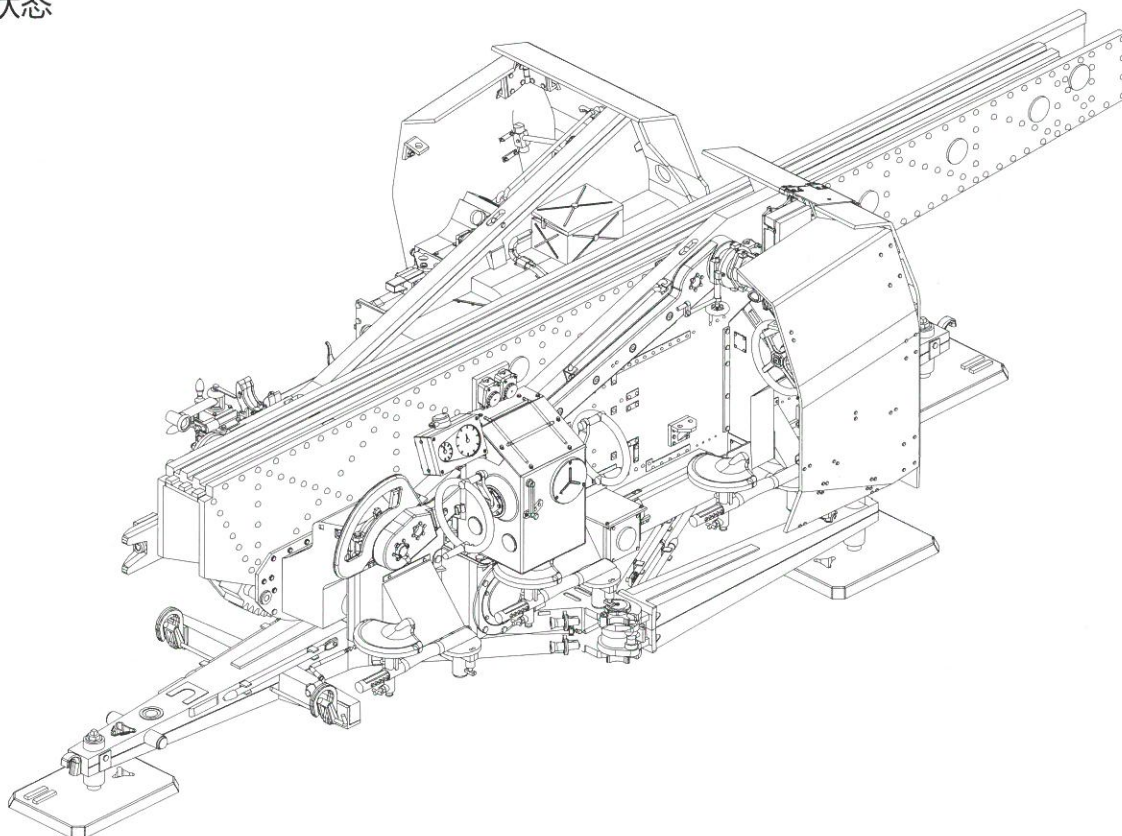
39

Launching State  
发射状态



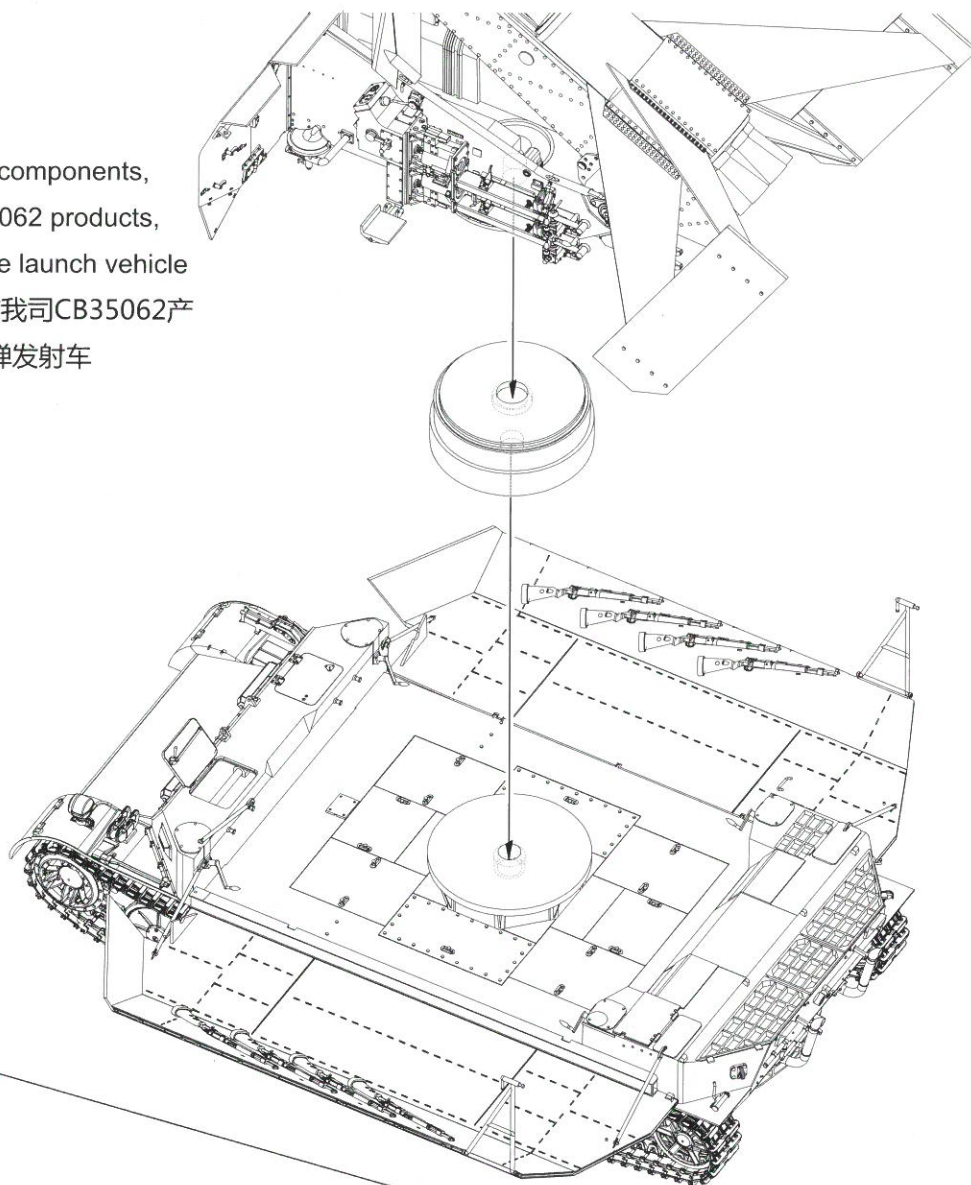
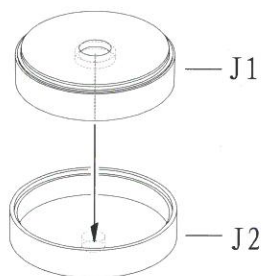
40

Transport position  
运输状态

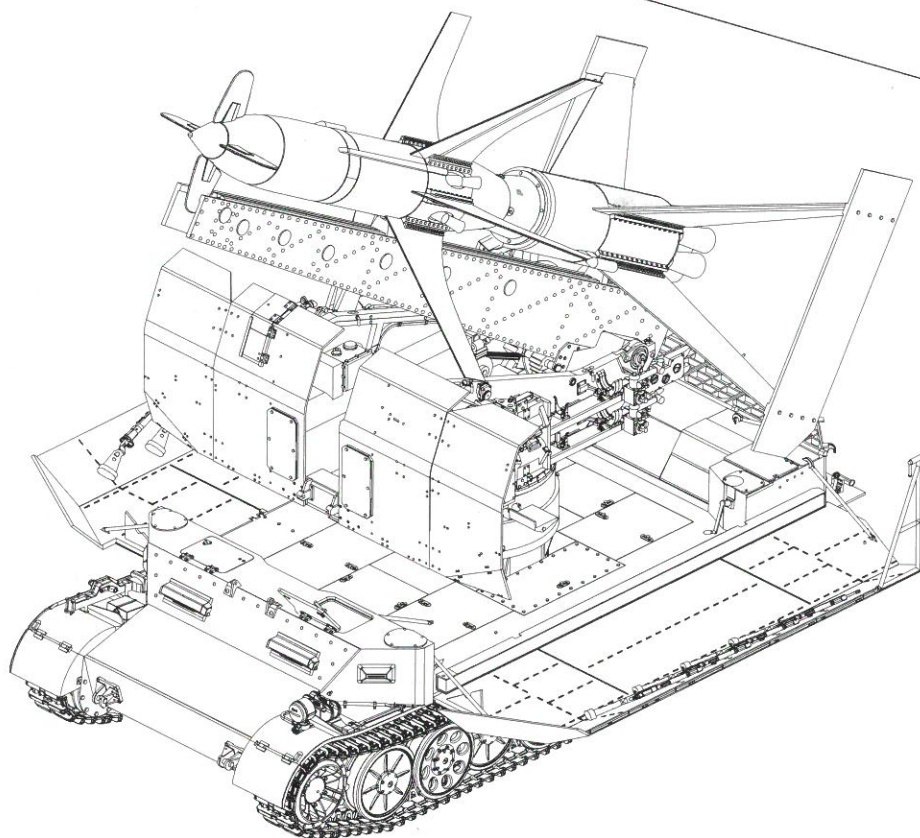


41

★ With vehicle mounted components,  
can choose our CB35062 products,  
combined into a missile launch vehicle  
附有车载型部件，可与我司CB35062产  
品组合成一部地-空导弹发射车

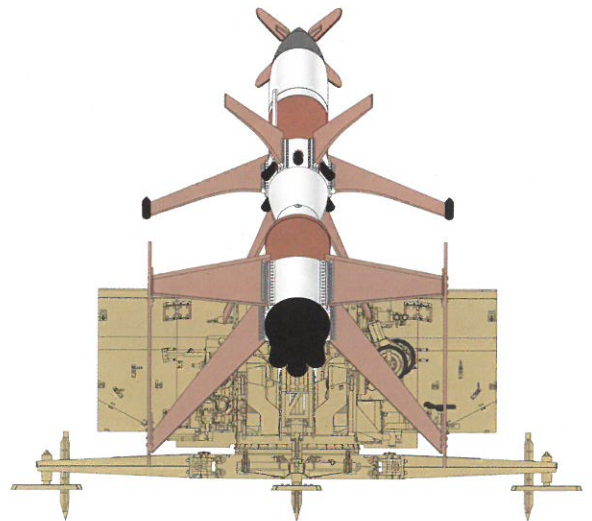
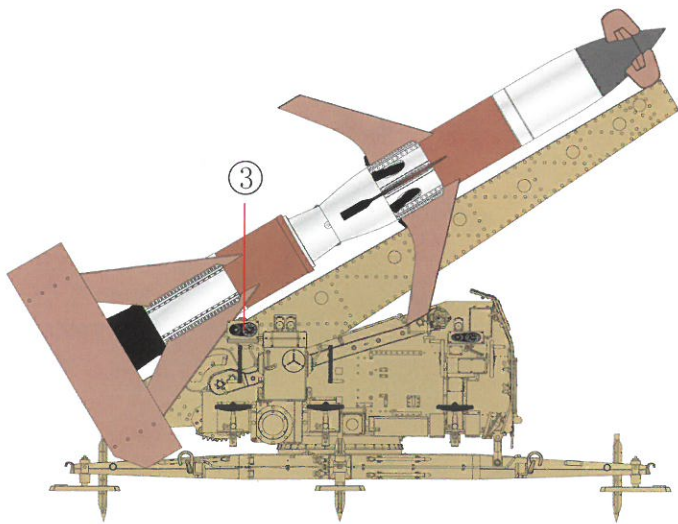
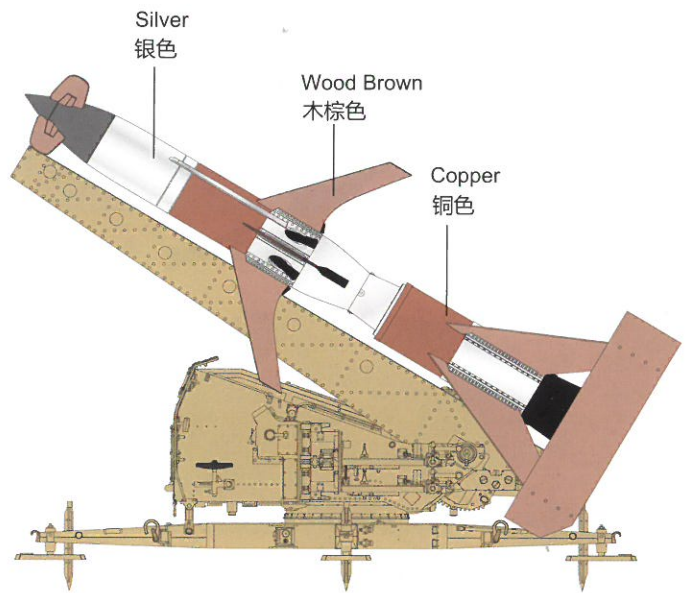
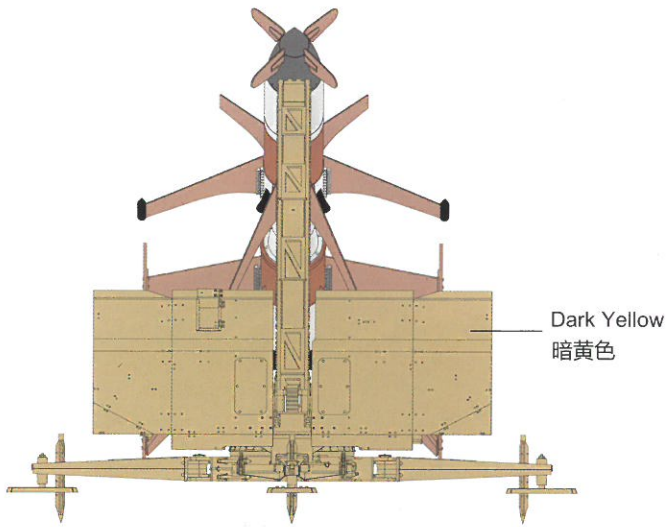
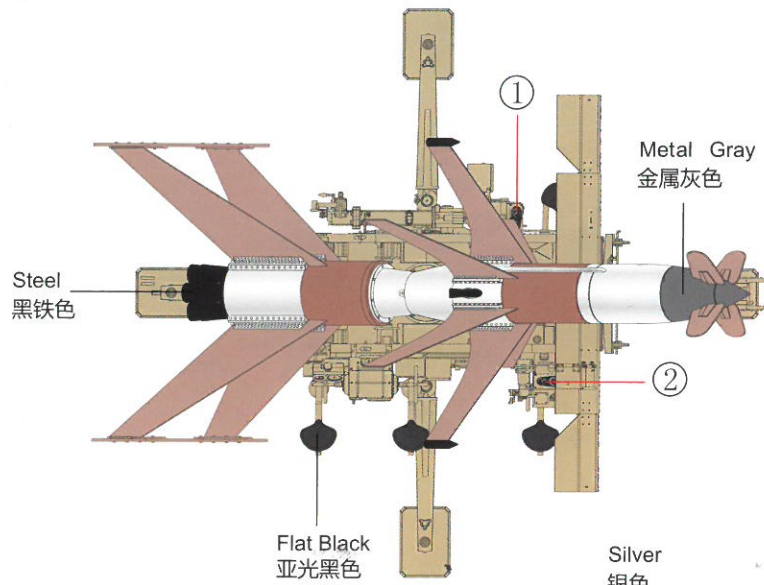


42



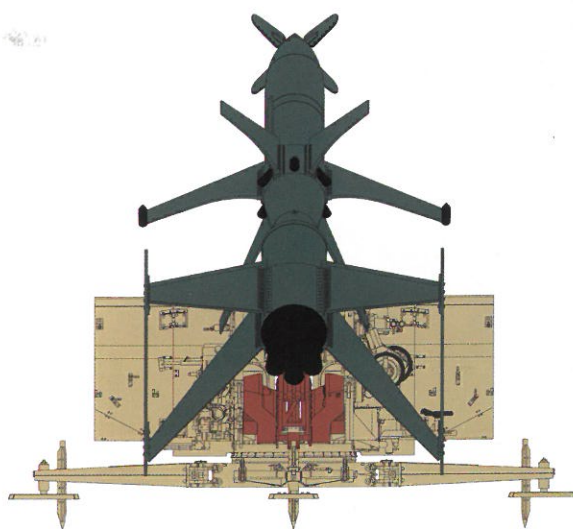
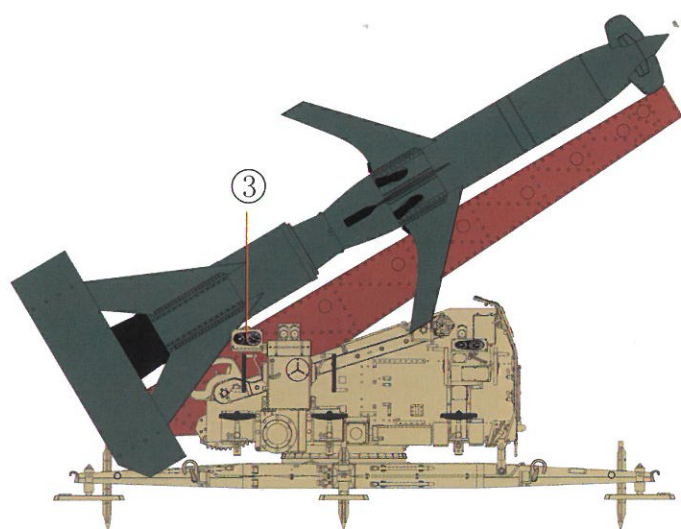
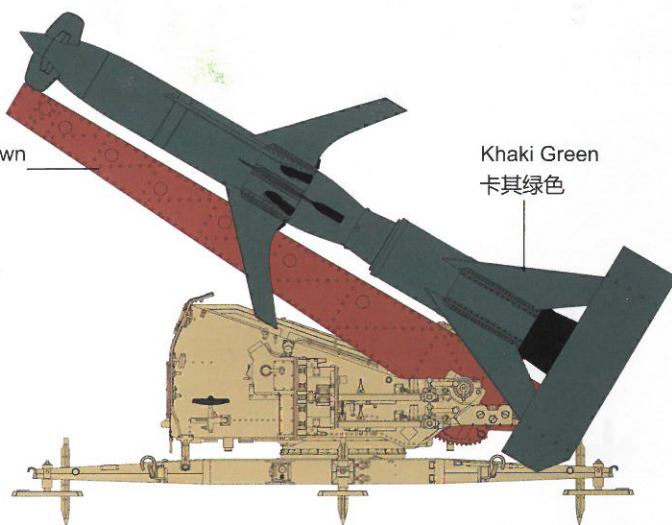
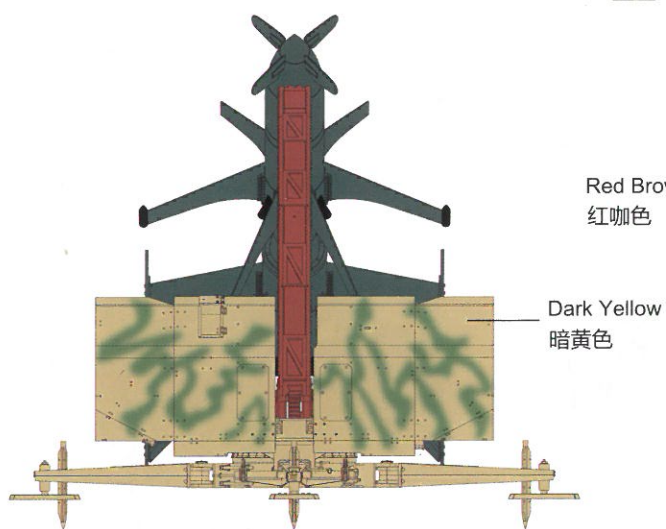
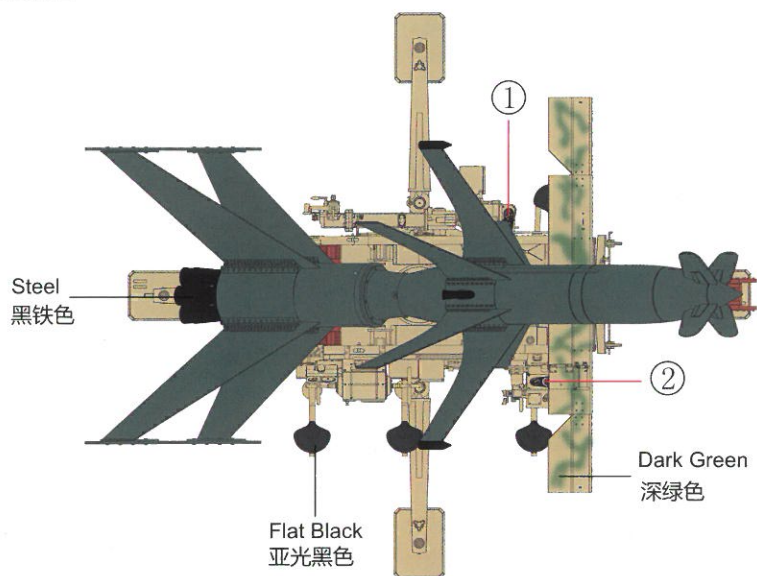
Making & Painting Option 1:

涂装式样 1 :



Making & Painting Option 2:

涂装式样 2：

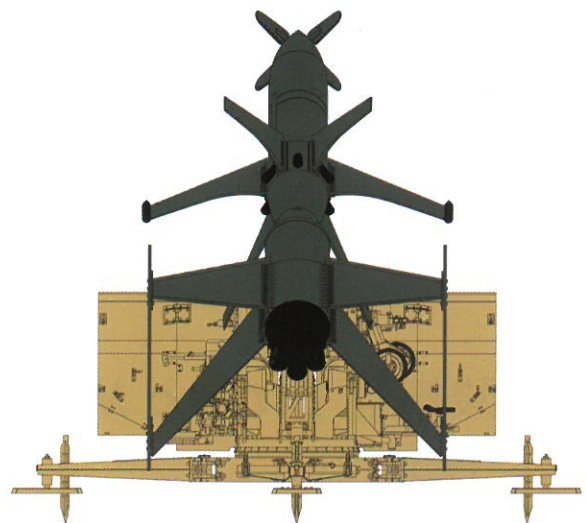
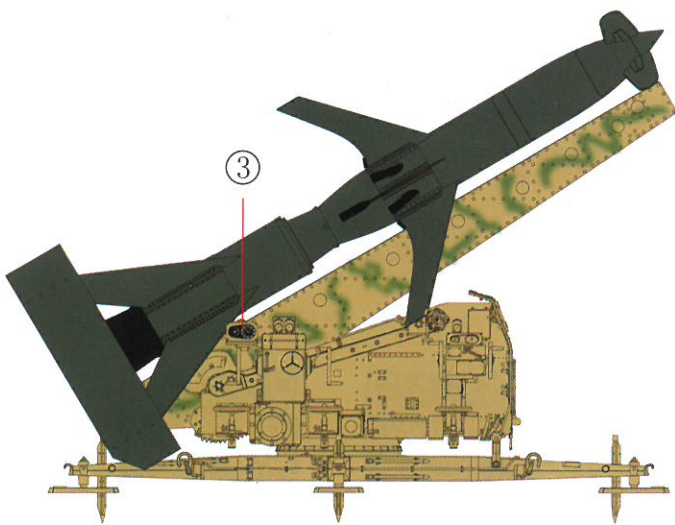
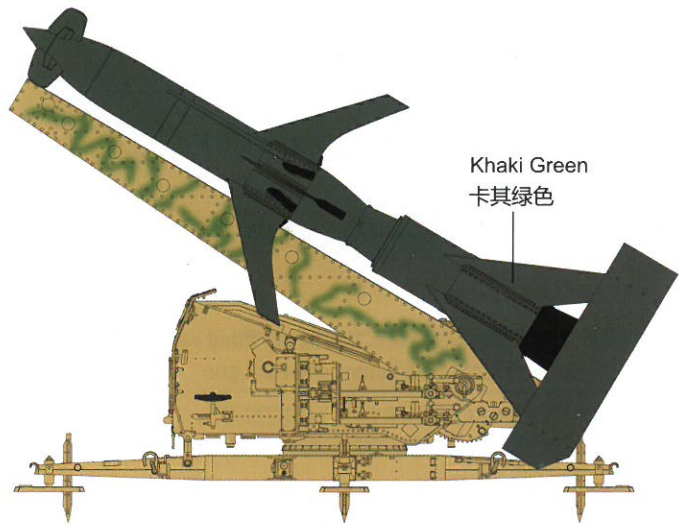
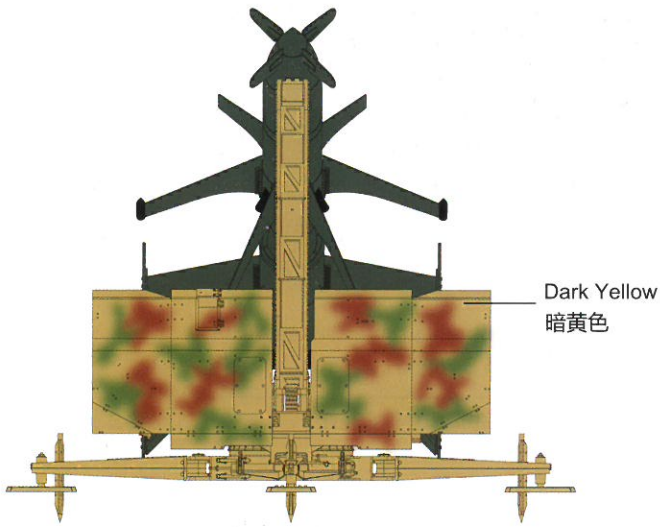
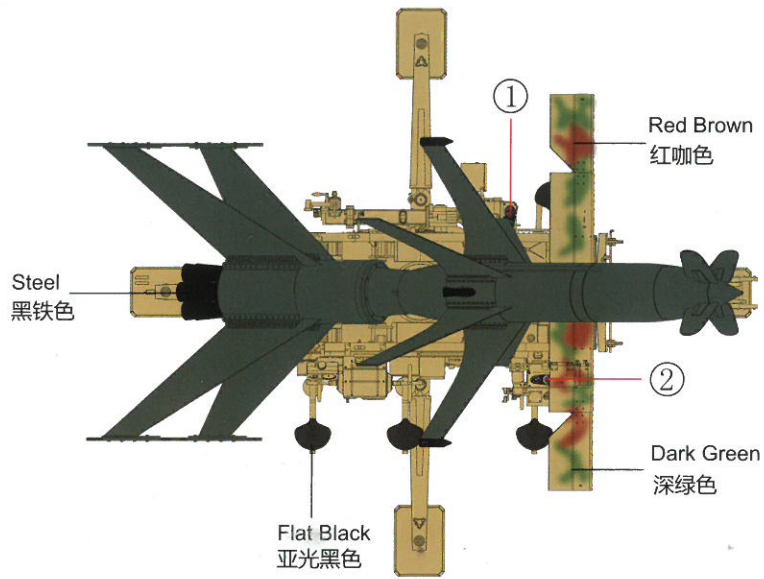


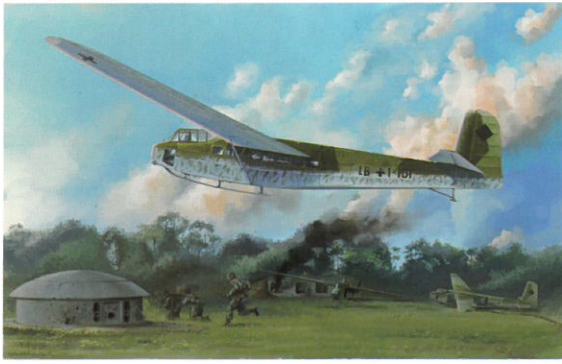


# DECAL&COLOUR GUIDE 水贴及涂色指示：

Making & Painting Option 3:

涂装式样 3：





DFS230B-1 Light Assault Glider

DFS230B-1轻型突击滑翔机

GB7008



Curtiss P-40C 'Warhawk' Fighter ( US Army Air Force )  
'Pearl Harbor and other theatre'

寇蒂斯P-40C“战斧”战斗机(美国陆军航空队)  
珍珠港及其他战区

FB4008



Carro Armato L35/c ( C.V.33/II Serie ) fitted with the Swiss  
"Solothurn" S18-1100 20mm anti-tank gun

意大利L35/c ( C.V.33/II 系列 ) 超轻型坦克  
搭载瑞士索罗通S18-1100型20毫米反坦克枪

CB35049



WWII German Sturmgeschütz III Ausf C/D  
with 75mm L24 & 75mm L48 (2in1)

二战德国三号突击炮C/D型 ( 2in1 )

CB35116



Sturmgeschütz III Ausf D (SdKfz 142)  
in North Africa

二战德国三号D型突击炮北非战场

CB35117



Russian Zil-131 Truck (Early Version)  
w / winch

俄制Zil-131卡车 (早期型) <付绞盘>

CB35193

## 威駿模型 Bronco Models

宁波威駿模具塑胶有限公司

Ningbo Weijun Mould & Plastic co., Ltd.

地址：中国宁波市北仑区灵峰山路688号D幢

Add : D Building, No.688, Ling Feng Shan Road, Beilun, Ningbo, China.

E-mail: bronco@vip.163.com

www.cn-bronco.com



威駿模型公众号



威駿模型官网





# German Rheinmetall 'Rheintochter' R-2 anti-aircraft missiles and launcher



## 德国“莱茵女儿”R-2型地-空导弹及发射架

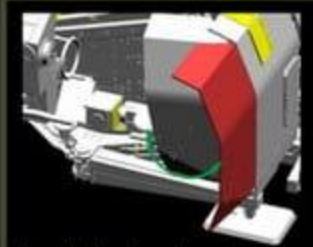
### 1/35 SCALE

### CB35050

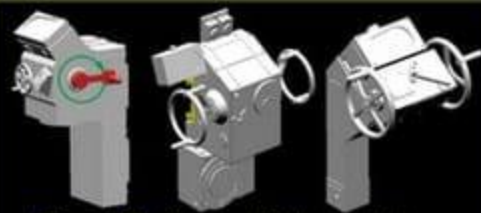
威骏模型



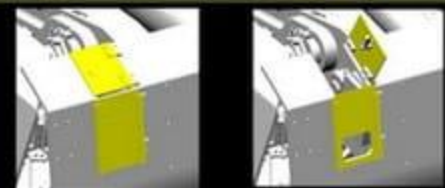
★Traveling lock can be action as real one 炮锁可自由活动



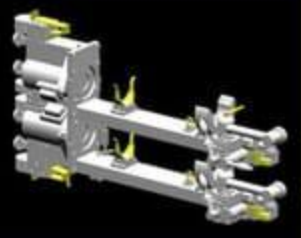
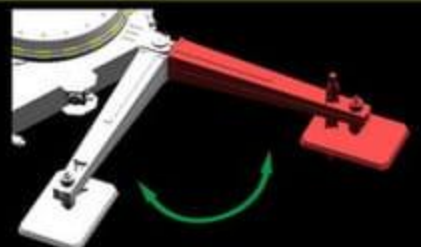
★gun shield parts can be option open or closed 炮盾可选装打开或关闭状态



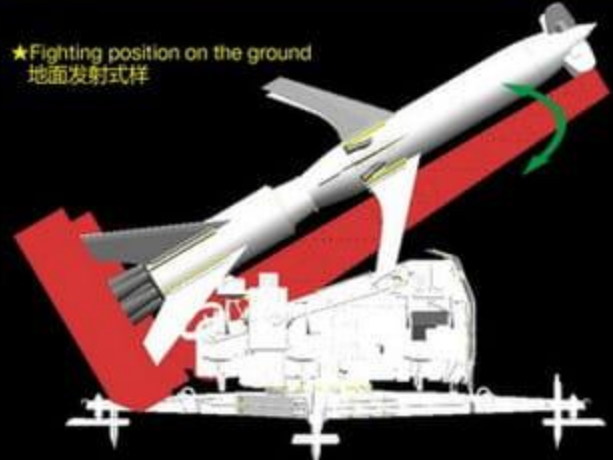
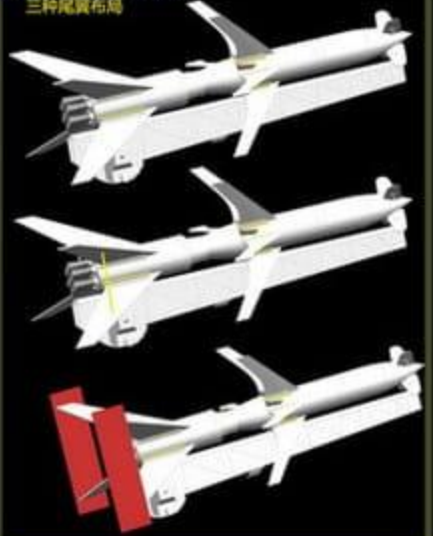
★Traverse & Elevation gear realistically represented 俯仰和测距装置细节逼真



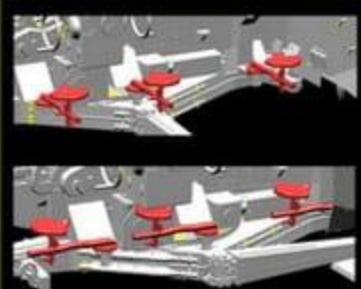
★Gun sight door can be option open or closed 瞄准器活门可选装打开或关闭状态



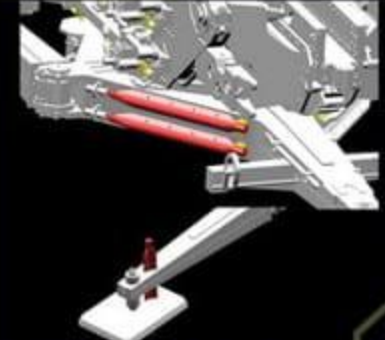
★Three tail composition 三种尾翼布局



★Fighting position on the ground 地面发射式样



★Foot pedals and seats with correct detail, and two option for combator travel mode 脚踏板及座椅细节精确并可选装战斗状态或运输状态



★With high details of the launch fixed pile 附有细节丰富的发射架固定桩

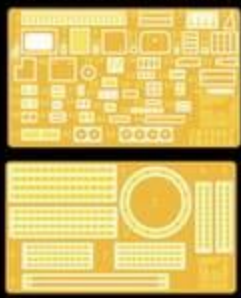


★periscope with the accurately detail 瞄准器细节精确



★Two missile head layout options 导弹头部有两种布局选择

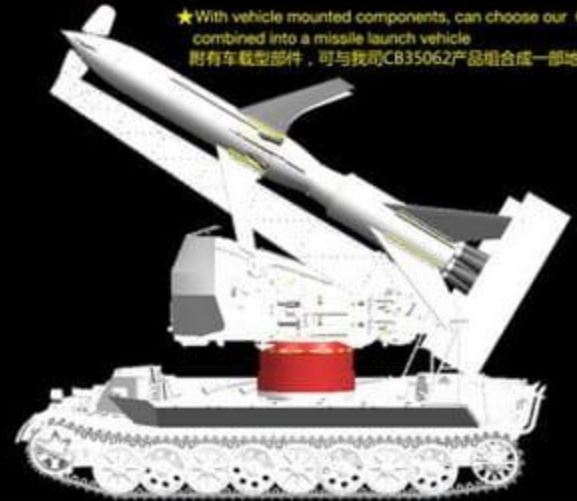
★Photo-etched parts



★With a high quality decal



★With vehicle mounted components, can choose our CB35062 products, combined into a missile launch vehicle 附有车载型部件，可与我司CB35062产品组合成一部地-空导弹发射车



用心做更好! The Best From Our Heart!

BRONCO MODELS NEW product

www.cn-bronco.com E-mail:bronco@vip.163.com