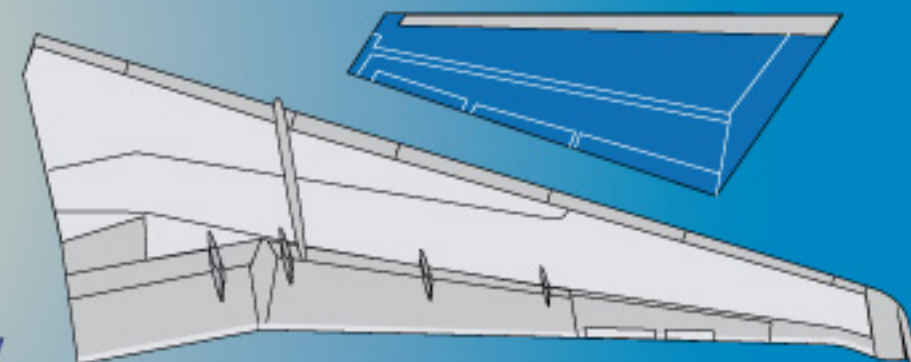
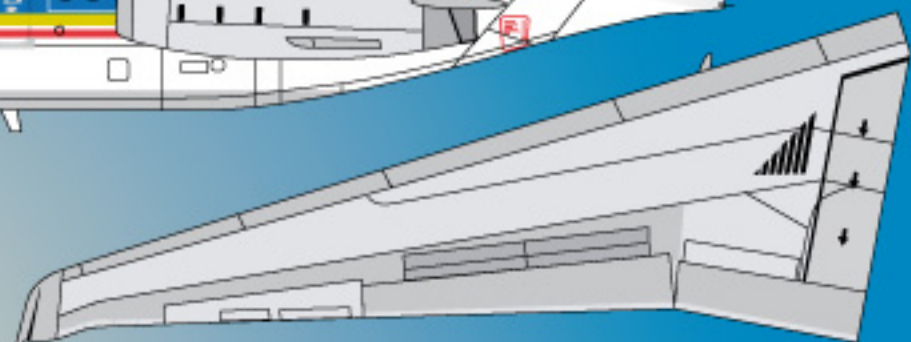


MIDWEST EXPRESS

AIRLINES

Flying Colors
FC44-037
MIDWEST EXPRESS MD80

Midwest Express MD-80
for the Minicraft 1:144 Scale Kit



Midwest Express Airlines has been flying since 1984. Best known for it's service, the airline is consistantly rated number one in service year after year. The number of McDonnell Douglas MD80s has steadily grown over the years and now there are over a dozen in service. Made up of -81s, -82s, -83s as well as as some chisel-tailed MD-88s.

Adorning a blue top with gold and red cheatlines, the airplanes are easily recognized and are beautiful sight indeed. Paint the top of the fuselage and tail dark blue and the belly white with the extreme center section bare-metal with Boeing 707 Gray over the wing-root fairing. The engines are also painted Boeing 707 Gray. Apply the decals as shown and use them as a guide when masking for the blue. Notice that the #1 door goes past the red cheatline. Extra white titles and tail logos have been provided for better coverage. Apply as needed. For the tail logo, apply the piece with the gold and red stripes last.

Notice the very complicated wing painting to the right. The number of panels painted Boieng Gray increased over the life of the MD-80 program as Douglas increased the use of composite material Try Flying Colors MD 80 Detail Sheet FC44-038 for the correct inspar panels as well as numerous other details for the entire airplane.

As far as we can tell the three MD-88s, N601ME, N701ME, and N801ME have the screwdriver tail while the rest of the fleet have the pointy cone.

Registrations for those are N803ME to N814ME. For an excellent resource on the web try www.airliners.net.

Dark Blue	Bare Metal	Gloss White	Boeing 707 Gray

