

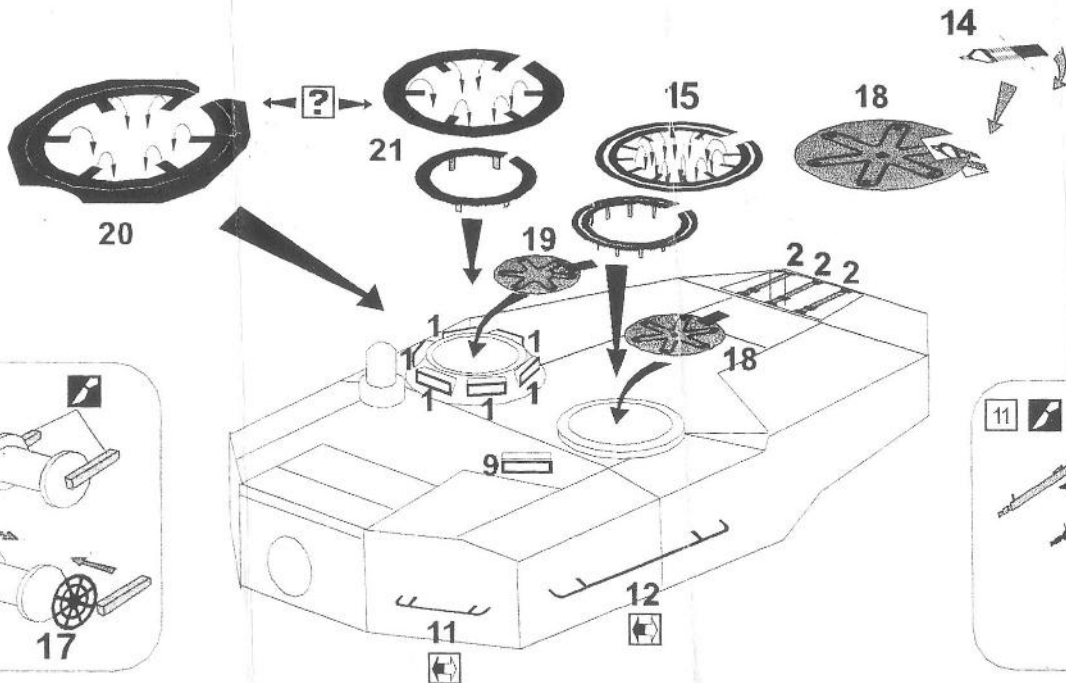
EXV72021

EXTRATECH 2000

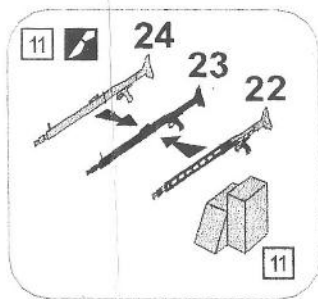
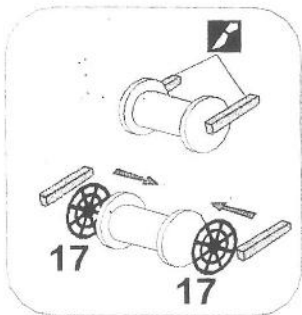
LEOPARD 2A4

REVELL

2



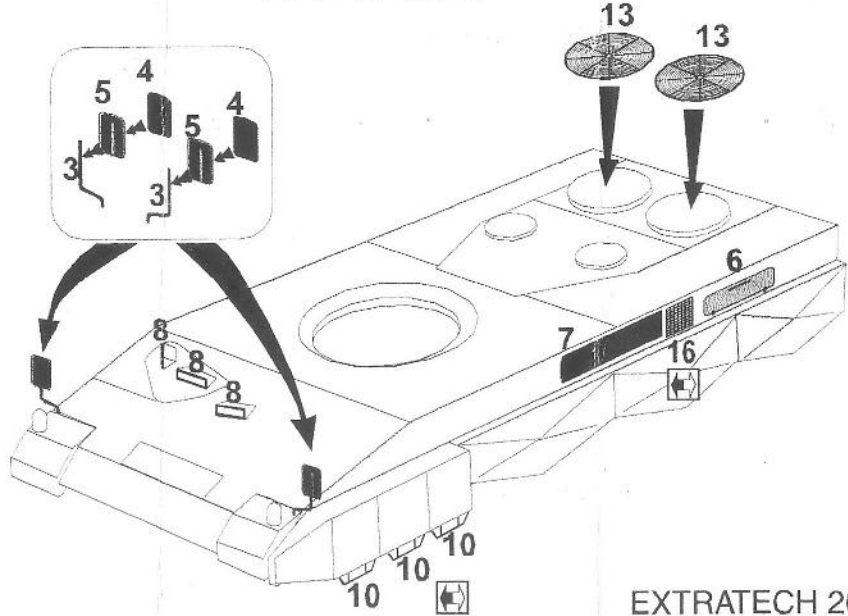
-  dily EXTRATECH parts
EXTRATECH parts
pièces EXTRATECH
-  dily strovebnice
all parts
pièces du kit
-  Přehnout
To Bend
Plier
-  Odřinout
Remove
Detach
-  symetrická montáž
symmetrical assembly
montage symétrique
-  volba
notional
facultatif



EXV72021

OTHER 1: 72 ETCHINGS

- EXV 72001 Abrams M1A1
- EXV 72002 ZIL 157
- EXV 72003 Sherman M4A1
- EXV 72004 Jagdpanther SdKFz.173
- EXV 72005 Challenger
- EXV 72006 Panther A/D/G
- EXV 72007 T-80
- EXV 72008 Sturmgeschutz IV
- EXV 72009 Tiger I Ausf.E
- EXV 72010 German WWII fire arms
- EXV 72011 Tiger I Ausf.H
- EXV 72013 British WWII fire arms
- EXV 72014 American WWII fire arms
- EXV 72015 SPz Marder I A3
- EXV 72016 West block modern fire arms
- EXV 72017 Leopard 2A5
- EXV 72019 Russian WWII fire arms
- EXV 72020 Barbed wire



EXTRATECH 2000

