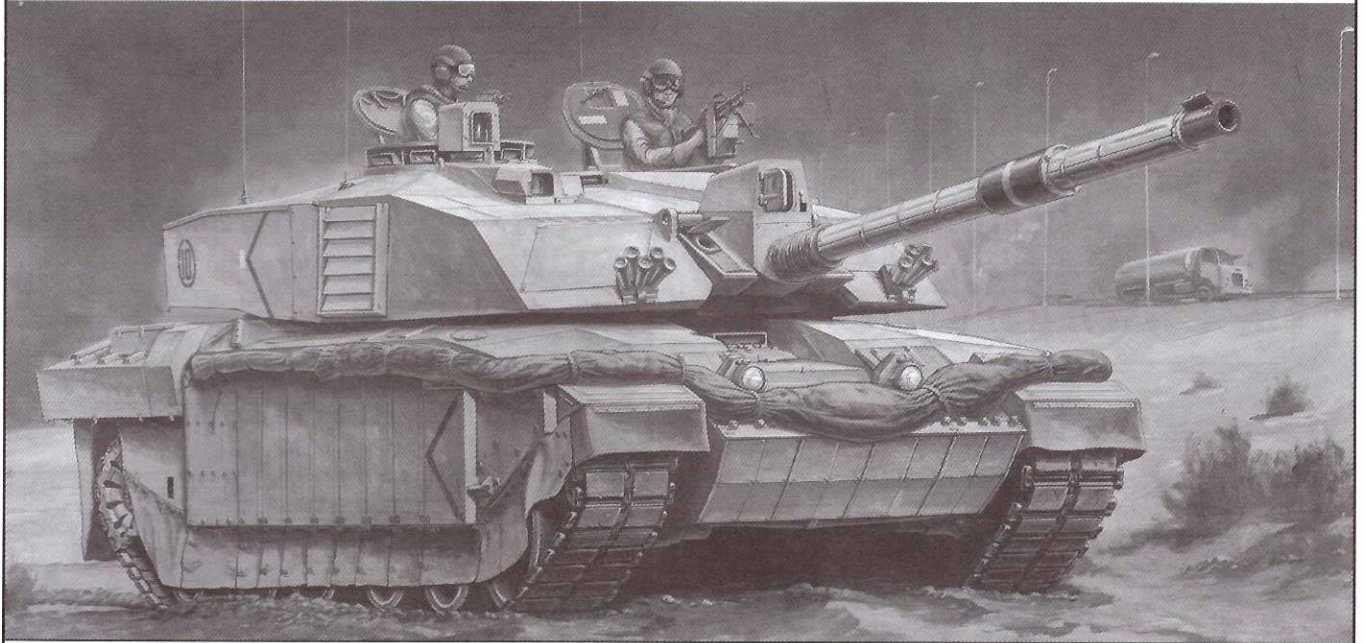


1:35 SCALE **British Challenger 2 MBT (OP.Telic) Iraq 2003****英国挑战者2型主战坦克2003伊拉克战争****READ BEFORE ASSEMBLY**

- Study and understand this instructions thoroughly before beginning assembly.
- Remove all injection pins careful using a modeling file.
- Cut off the photo-etched parts carefully using a modeling knife. Be sure not to lose small parts.
- Apply instant cement to photo etched parts and shafts. Apply too much instant cement will cause movable parts to stick. Apply cement carefully.
- Extra care should be taken to avoid personal injury when handling the photo etched parts.
- Some parts should depend on decals. Select piror to assembly.
- Tools recommended: (Not included in this kit)
- Cement; Side cutters; Long nose pliers; Modeling knife; Modeling file; Tweezers; Pin vise; Scissors; Instant cement.
- Soft cloth and sand paper will also assist in construction.
- Glue and paints are not in cluded in the kit. Use plastic cement or paints only.
- Keep out of reach of small children. Children must not be allowed to suck any part, or pull vinyl bag over the head.

**装配之前仔细阅读**

- 小心用模型锉刀锉平所有零件表面的注射浇口。
- 小心用刀片切下蚀刻片零件，不要遗失小零件。
- 用强力快干胶水粘合蚀刻片零件和金属轴。过量的快干胶水使用可能导致可动零件会粘住，小心涂胶。
- 取蚀刻片时应特别注意安全，防止利边划伤手指。
- 某些零件表面需贴上水贴纸，请选择在装配的同时进行。
- 推荐模型工具(自备)：胶水，水口剪刀，长咀钳，刀片，锉刀，镊子钳，钻，剪刀，瞬间快干胶。
- 软布同砂纸同时也应该是必备工具。
- 请使用塑料胶水和油漆，模型内不含。
- 谨防小孩吸吮塑料零件，或者将塑料袋套在头上，制作时应将套材远离小孩接触。



cyanoacrylate glue  
使用强力胶



weight  
配重



make hole  
钻孔



cut / remove  
切除



bend  
弯曲



file / sand  
锉平



option  
选择



no cement  
不涂胶水



decal  
贴纸

水贴纸的使用：

1. 从水贴纸上剪下印花；
2. 将印花放入温水中浸10秒，然后放在干净布上。
3. 拿着印花纸板将印花移到模型上；
4. 手指蘸水将印花移到适当的位置；
5. 用软布轻压印花直至水干，气泡消失。

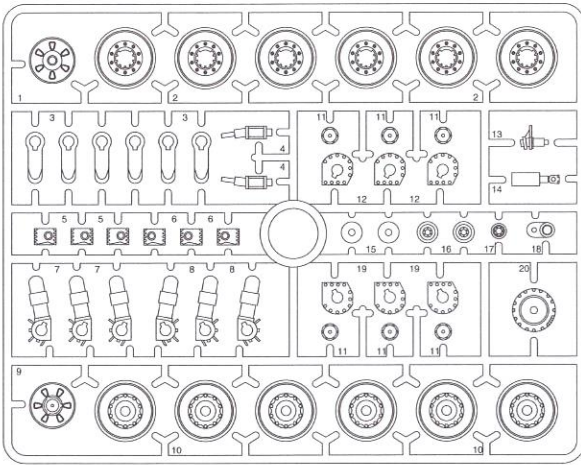
**DECAL APPLICATION**

1. Cut off decal from sheet.
2. Dip the decal in tepid water 40° C for about 10 sec. and place on a clean cloth.
3. Hold the backing sheet edge and slide decal onto the model.
4. Move decal into position by wetting decal with finger.
5. Press decal gently down with a soft cloth until excess water and air bubbles are gone.

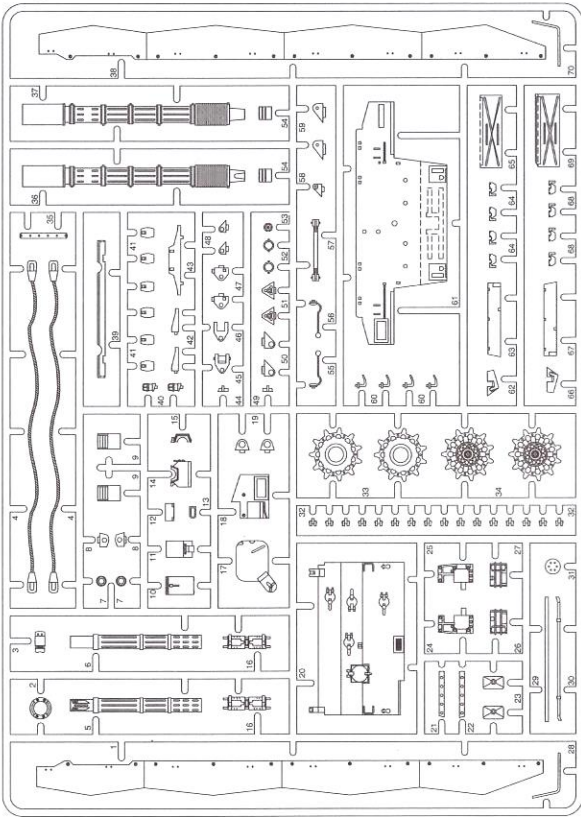


# 部品图 Parts

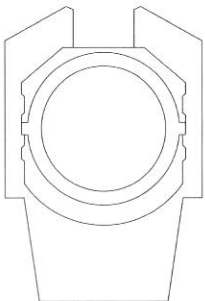
A × 2



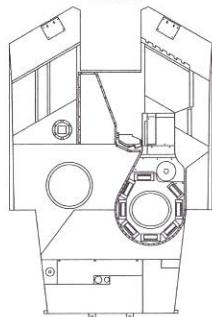
C



《炮塔底》  
Lower turret



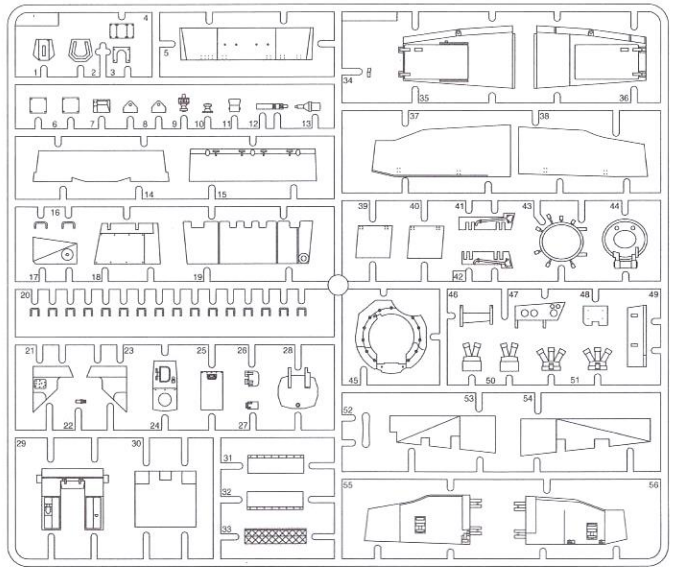
《炮塔》  
Turret



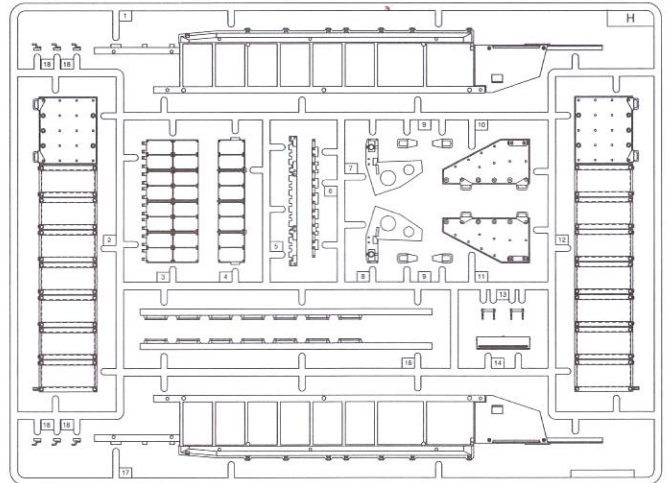
《聚乙烯套》  
Poly cap



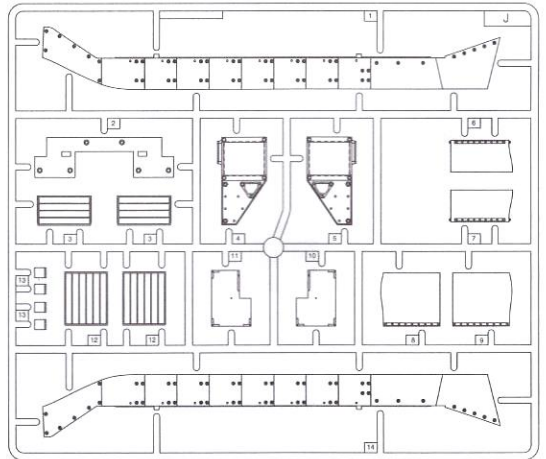
D



H



J

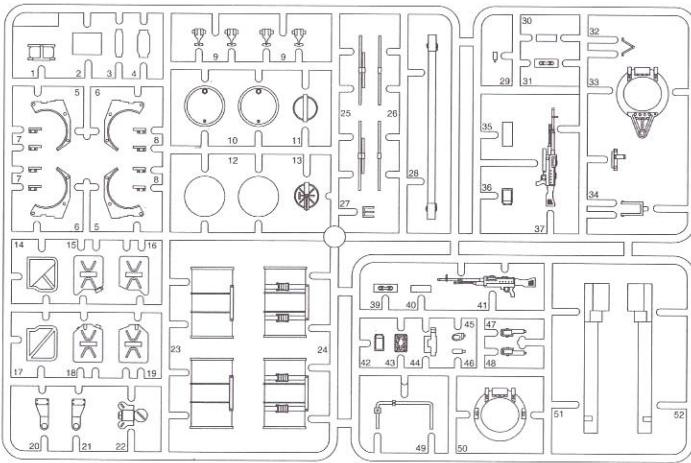


《棉线》  
Cotton thread

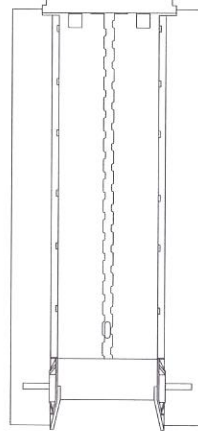


《水贴纸》  
Decal

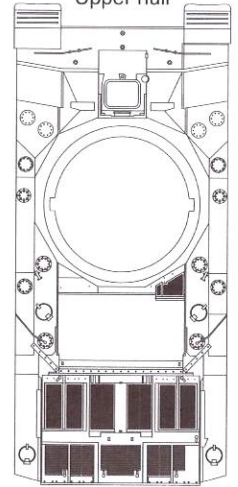
# E



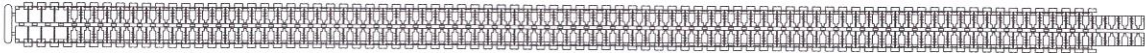
《车底》  
Lower hull



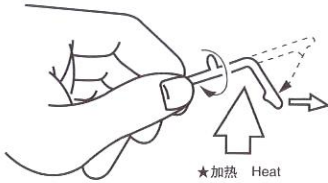
《车面》  
Upper hull



《履带》×2  
Track × 2



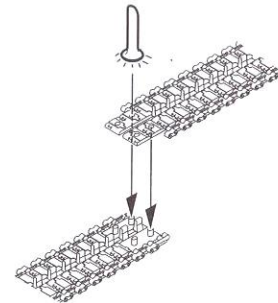
## 《天线制作》 How to make antenna



★加热浇口，拉线冷却，冷却后切成所需长度。  
Heat sprue as shown, remove from flame and stretch allow to cool and cut to required length.

## 1 履带联接 Track construction

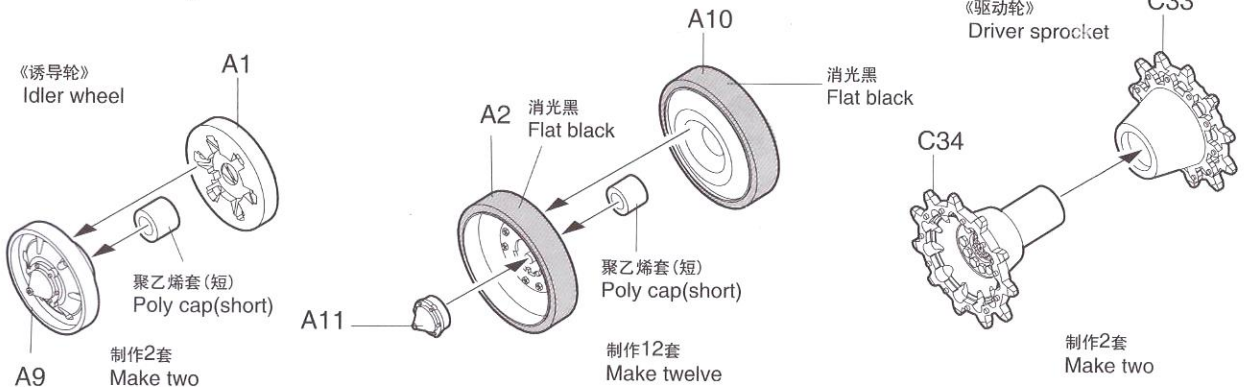
根据实际要求选择履带尺寸；  
用热铁钉软化接头，用手指压下接头。  
若履带断裂，用细丝线固定。  
Melt pin heads carefully with a heated nail etc.  
Immediately press pin heads with your finger.  
If track is broken strengthen with staples or thread.



## 2 车轮组装 Wheels assembly

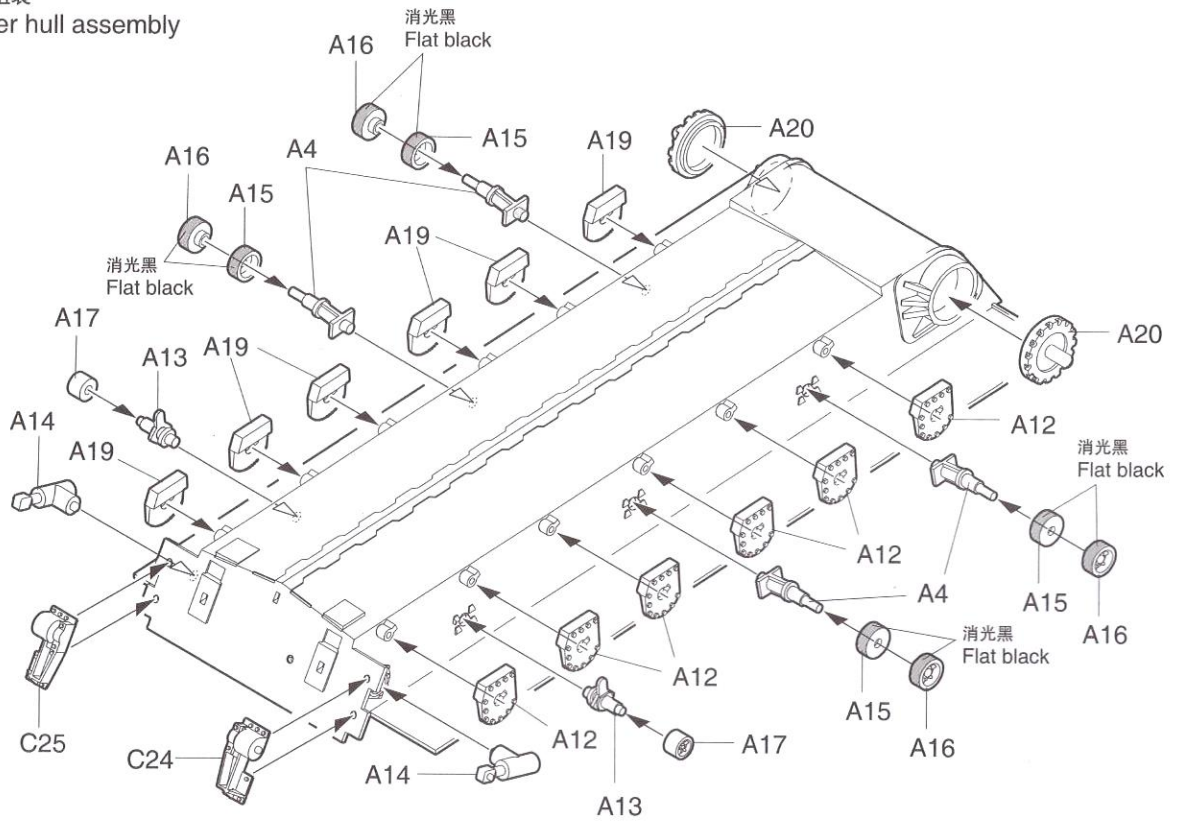
《负重轮》  
Road wheel

《驱动轮》  
Driver sprocket

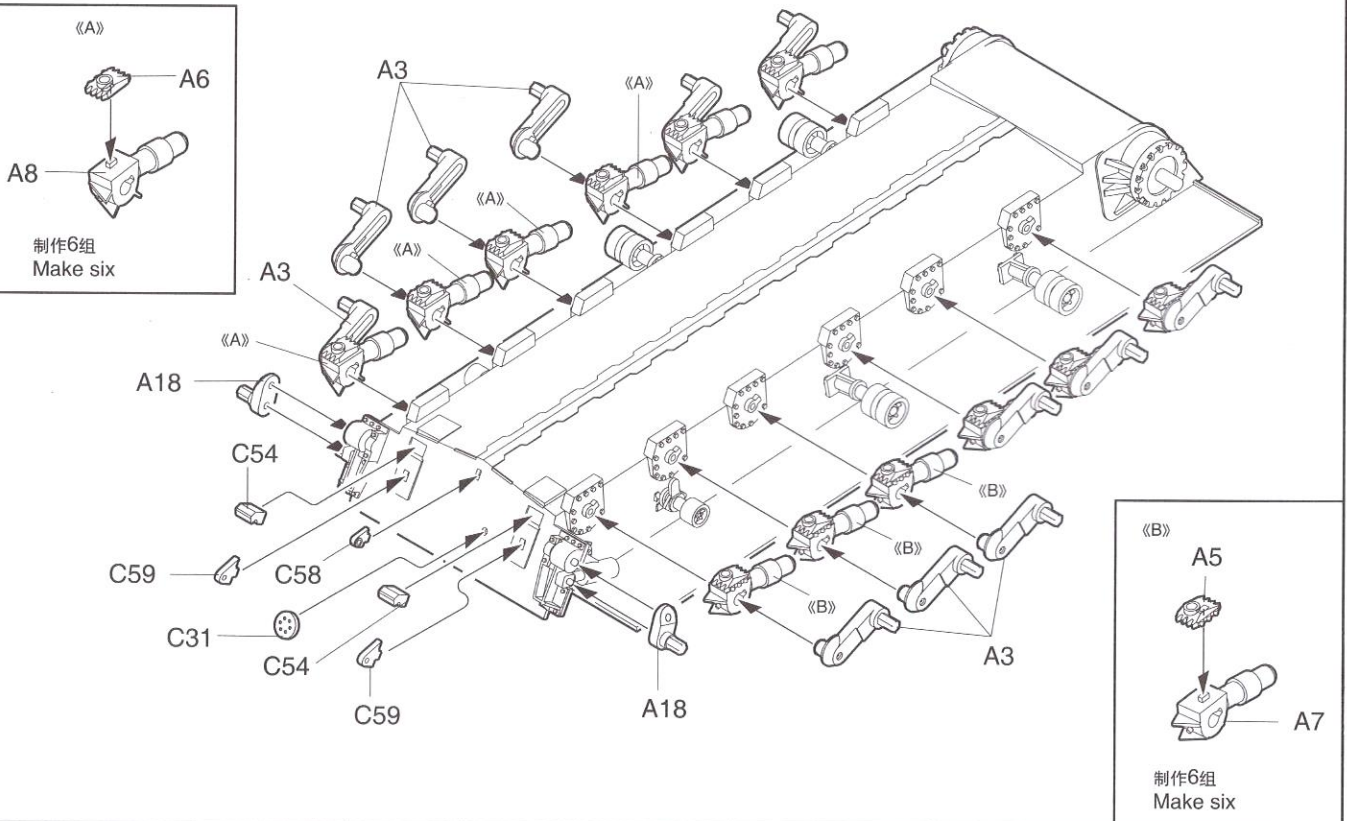




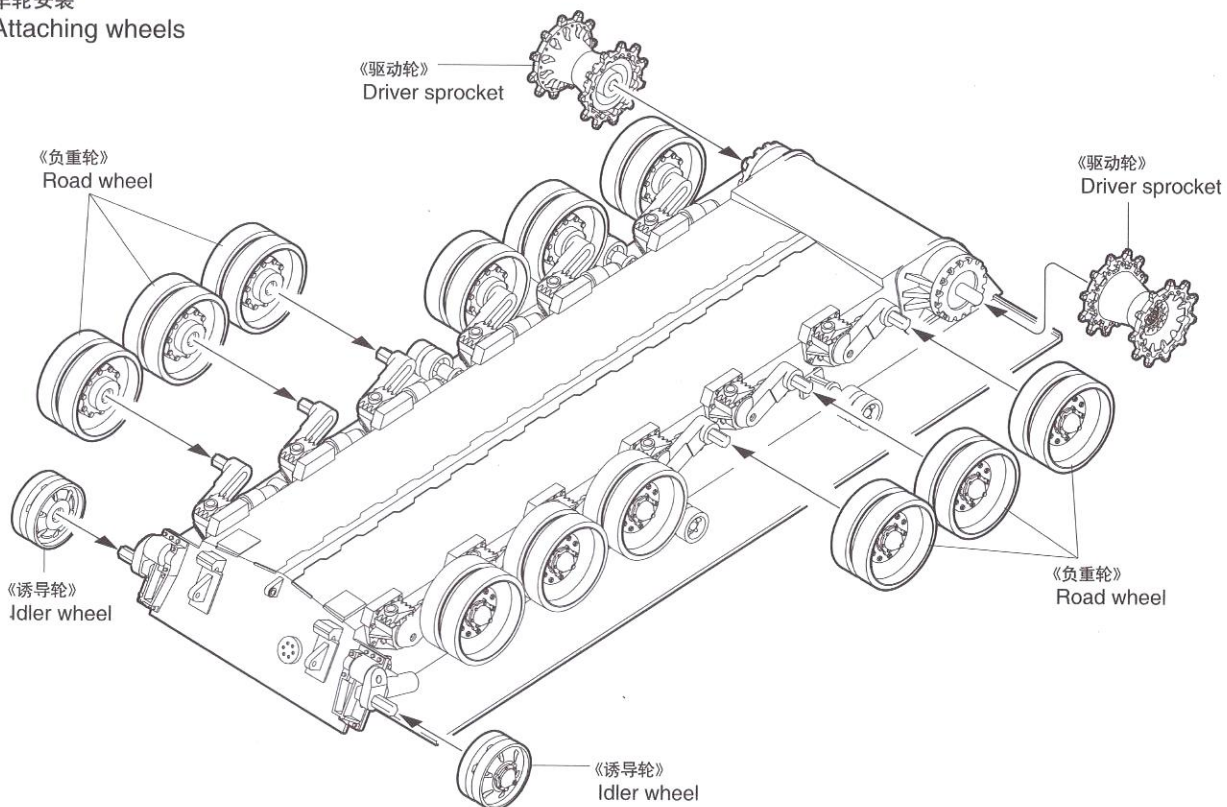
**3** 车底组装  
Lower hull assembly



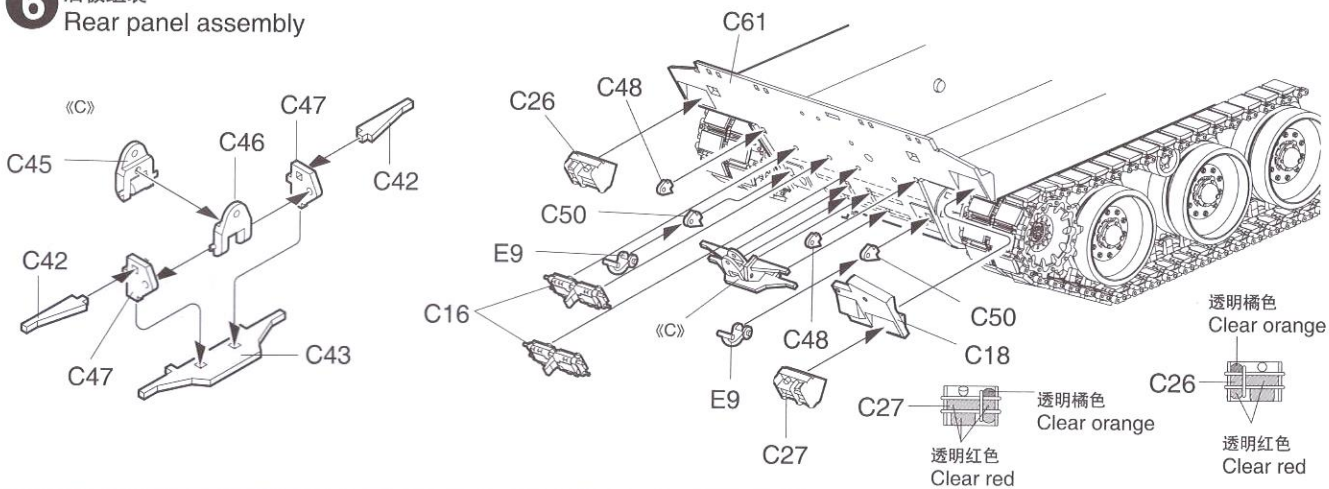
**4** 悬臂组装  
Suspension arms



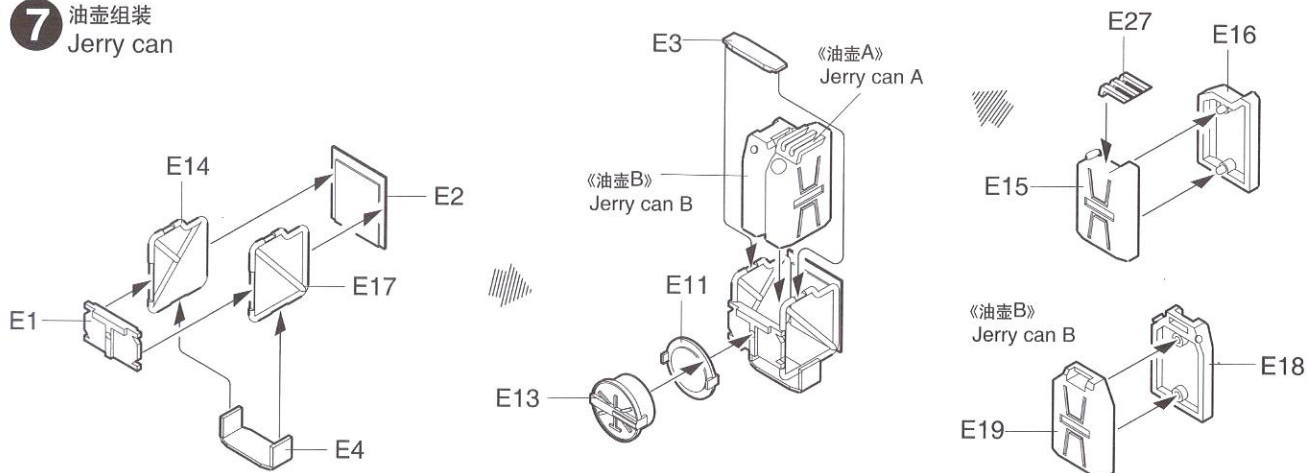
## 5 车轮安装 Attaching wheels



## 6 后板组装 Rear panel assembly

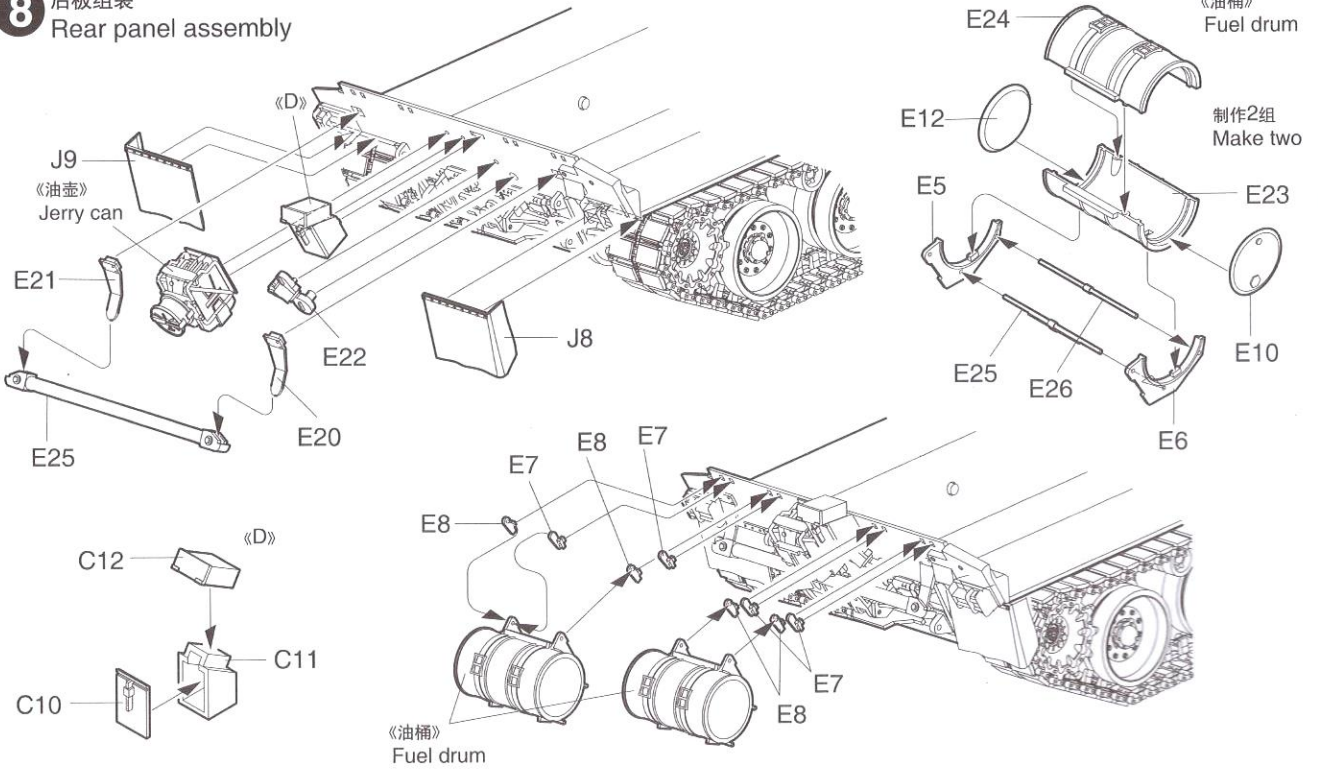


## 7 油壶组装 Jerry can

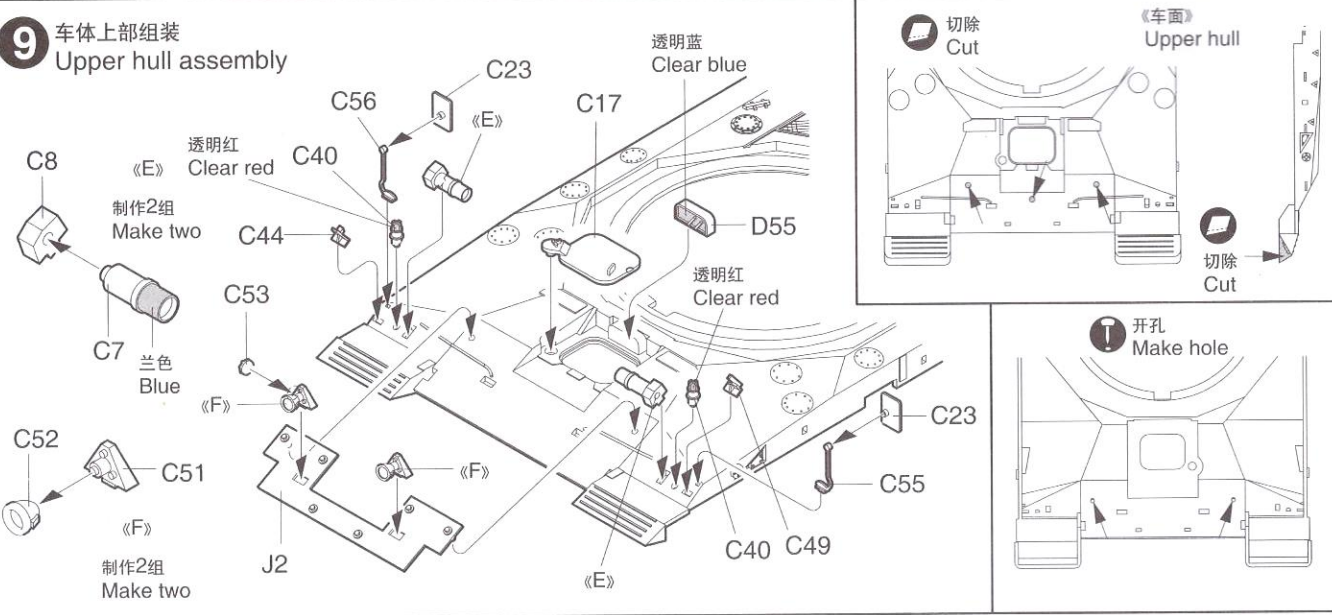




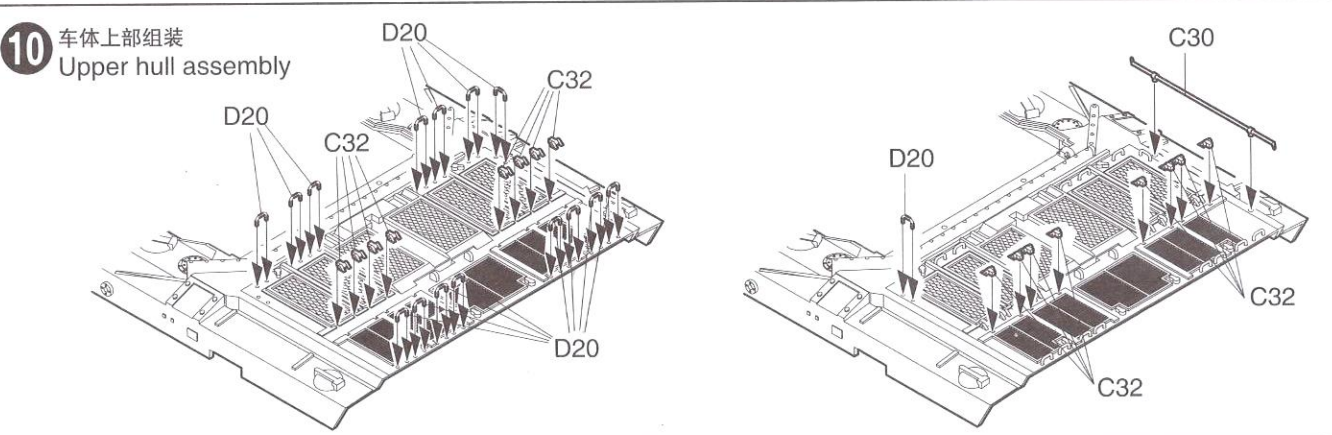
**8** 后板组装  
Rear panel assembly



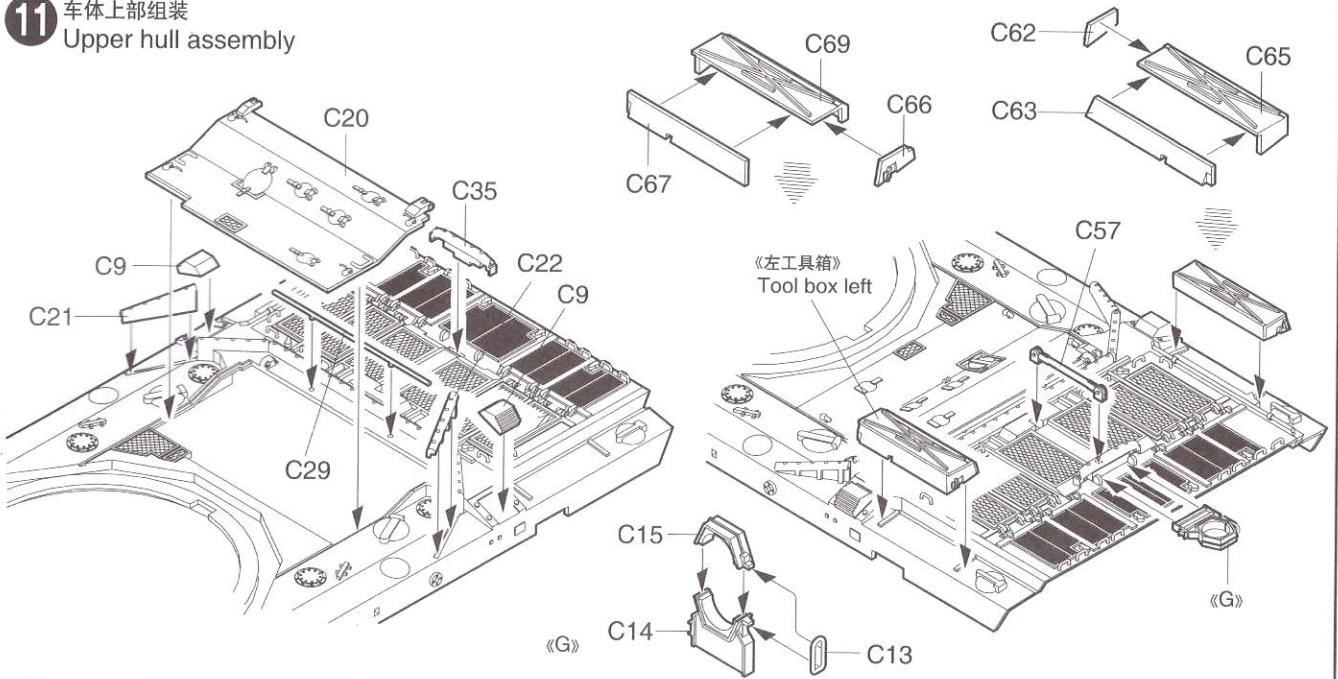
**9** 车体上部组装  
Upper hull assembly



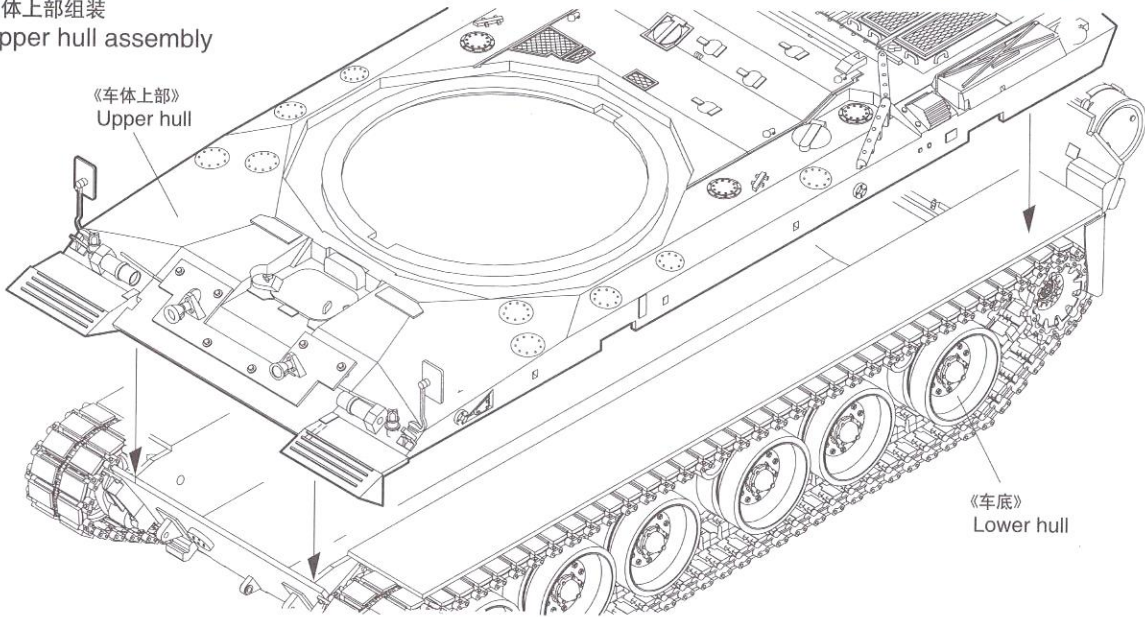
**10** 车体上部组装  
Upper hull assembly



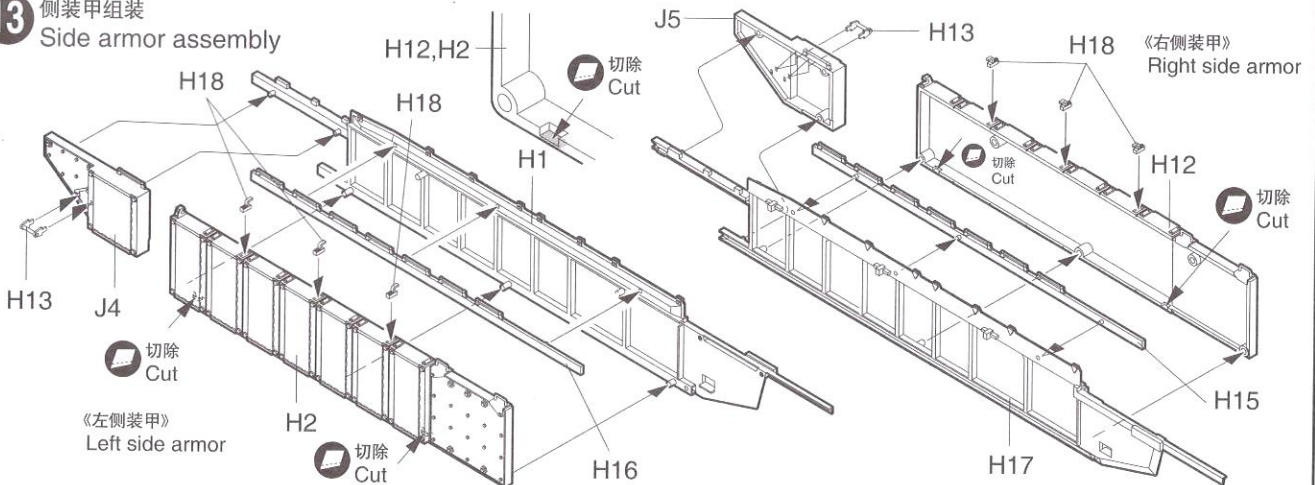
**11** 车体上部组装  
Upper hull assembly



**12** 车体上部组装  
Upper hull assembly

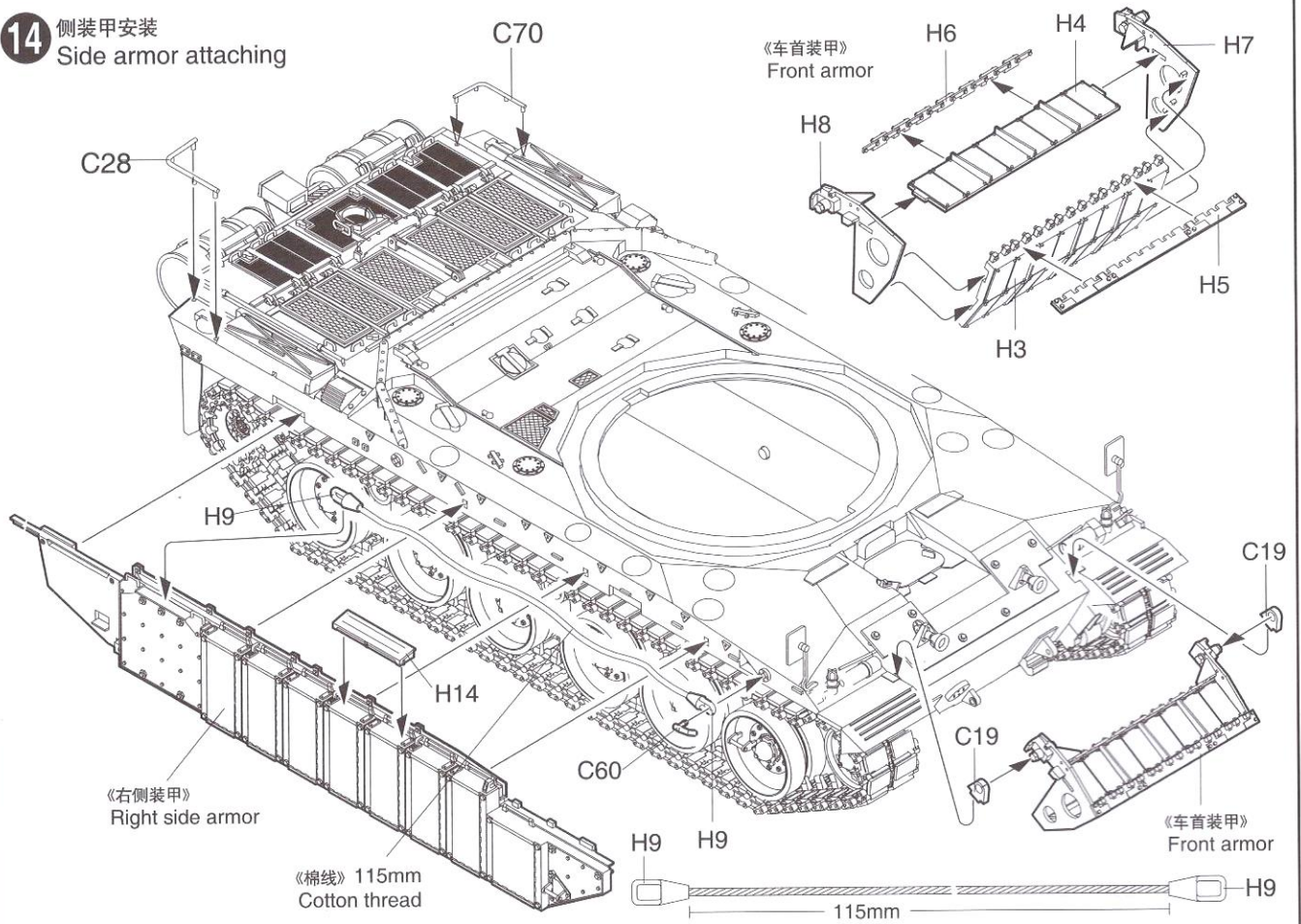


**13** 侧装甲组装  
Side armor assembly

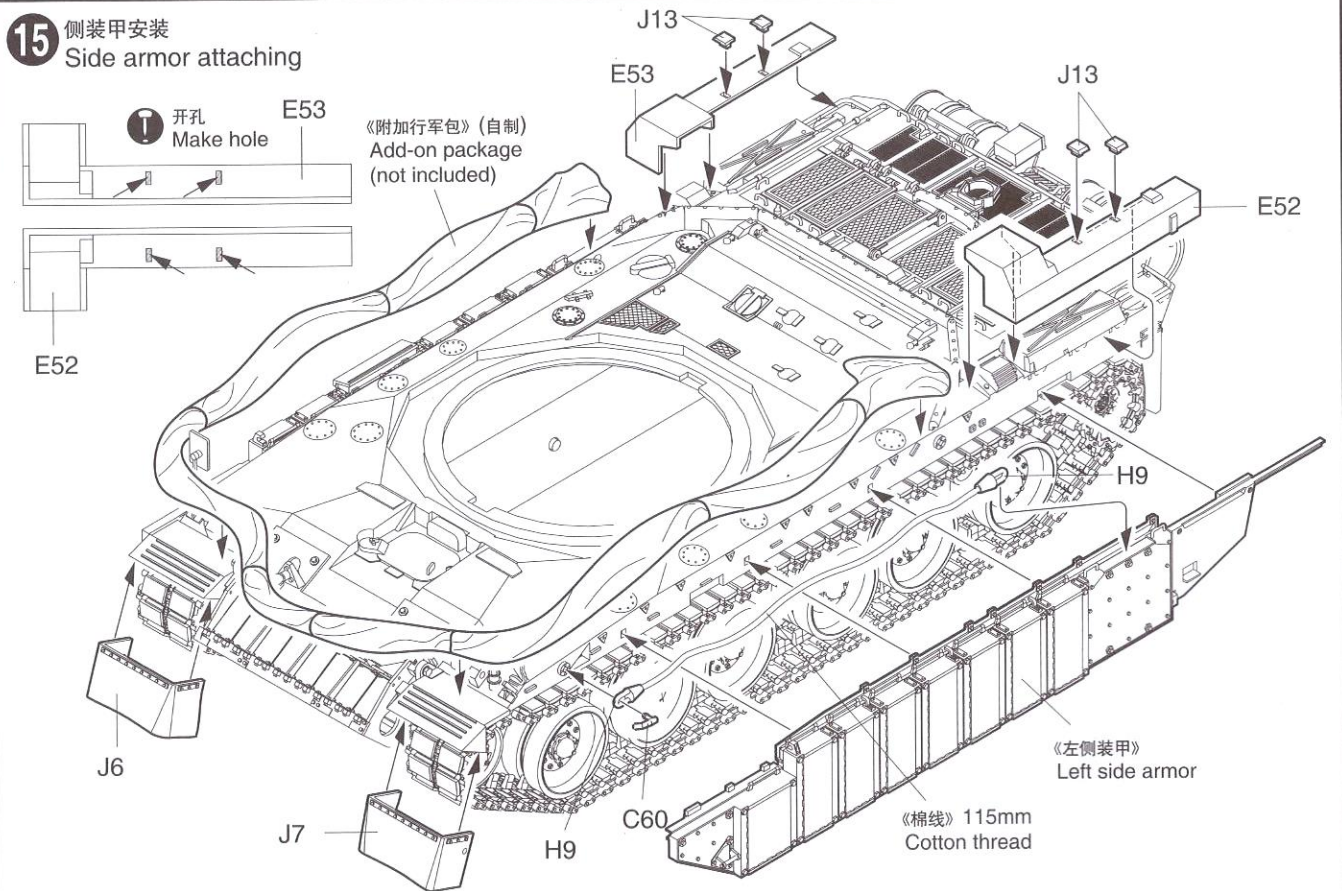




**14** 侧装甲安装  
Side armor attaching

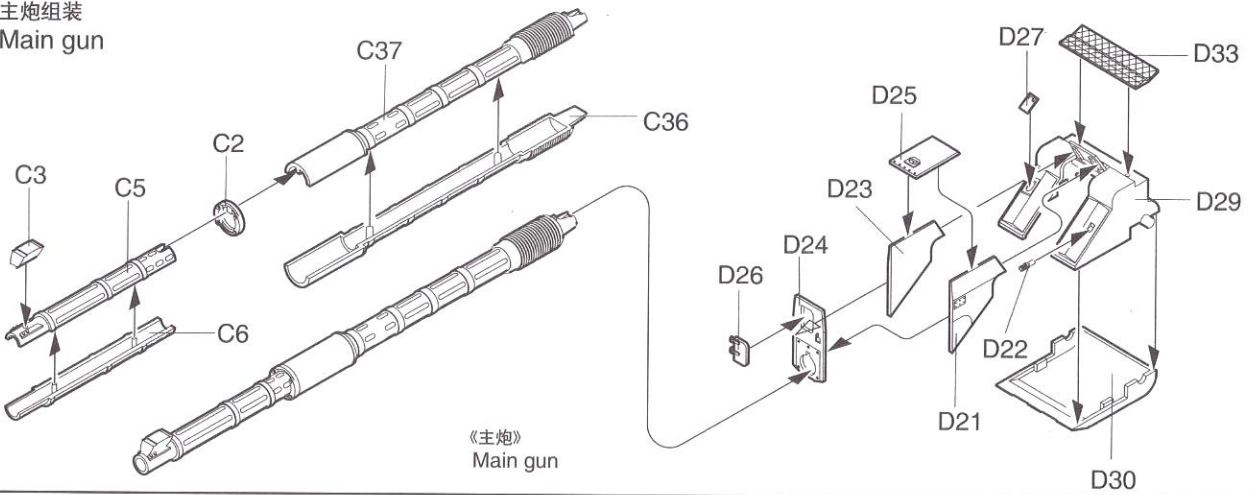


**15** 侧装甲安装  
Side armor attaching

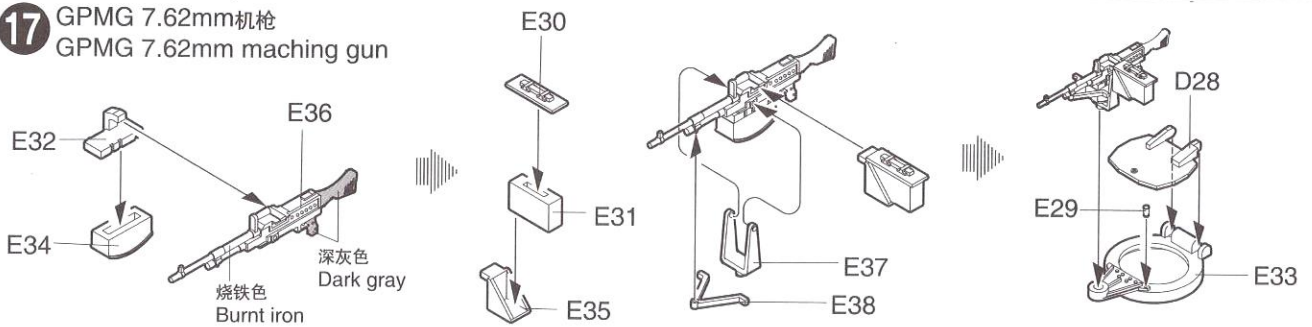




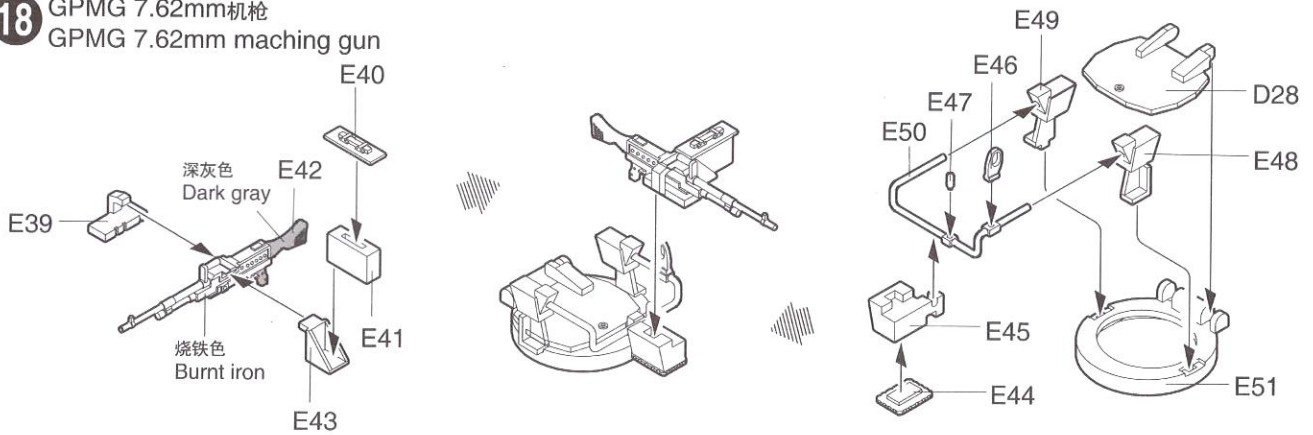
**16** 主炮组装  
Main gun



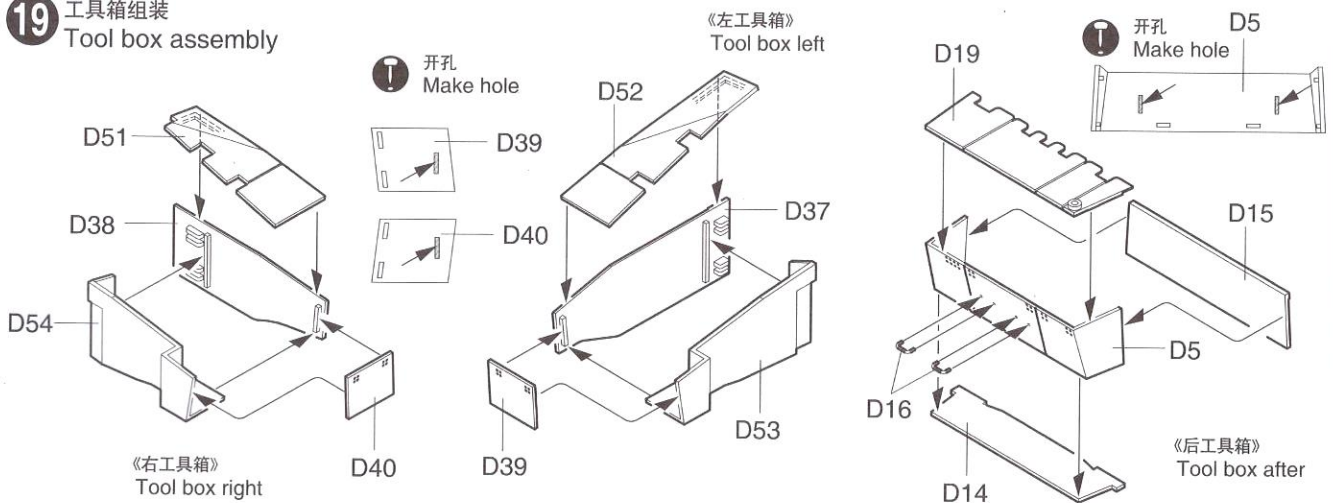
**17** GPMG 7.62mm机枪  
GPMG 7.62mm machine gun



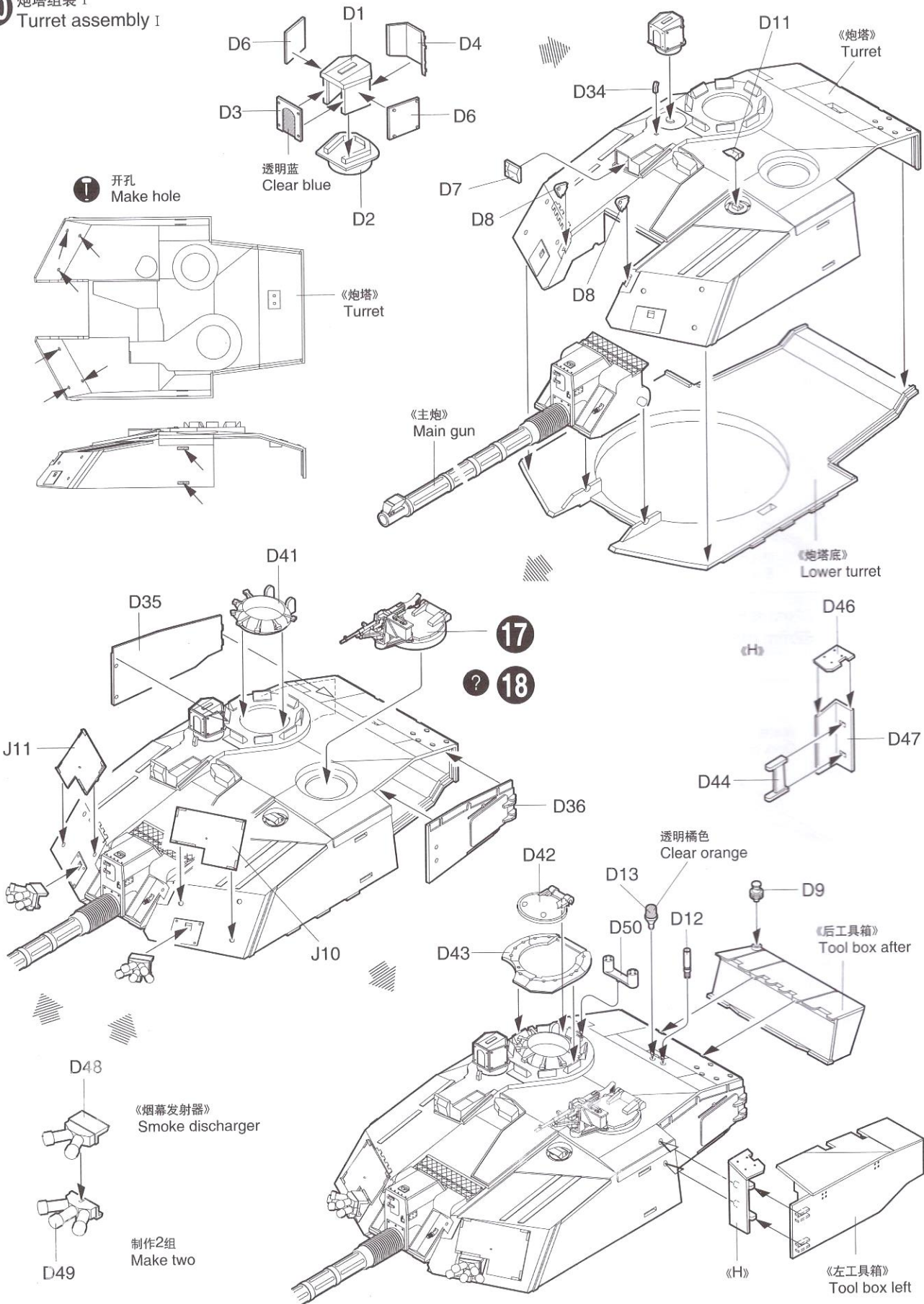
**18** GPMG 7.62mm机枪  
GPMG 7.62mm machine gun



**19** 工具箱组装  
Tool box assembly

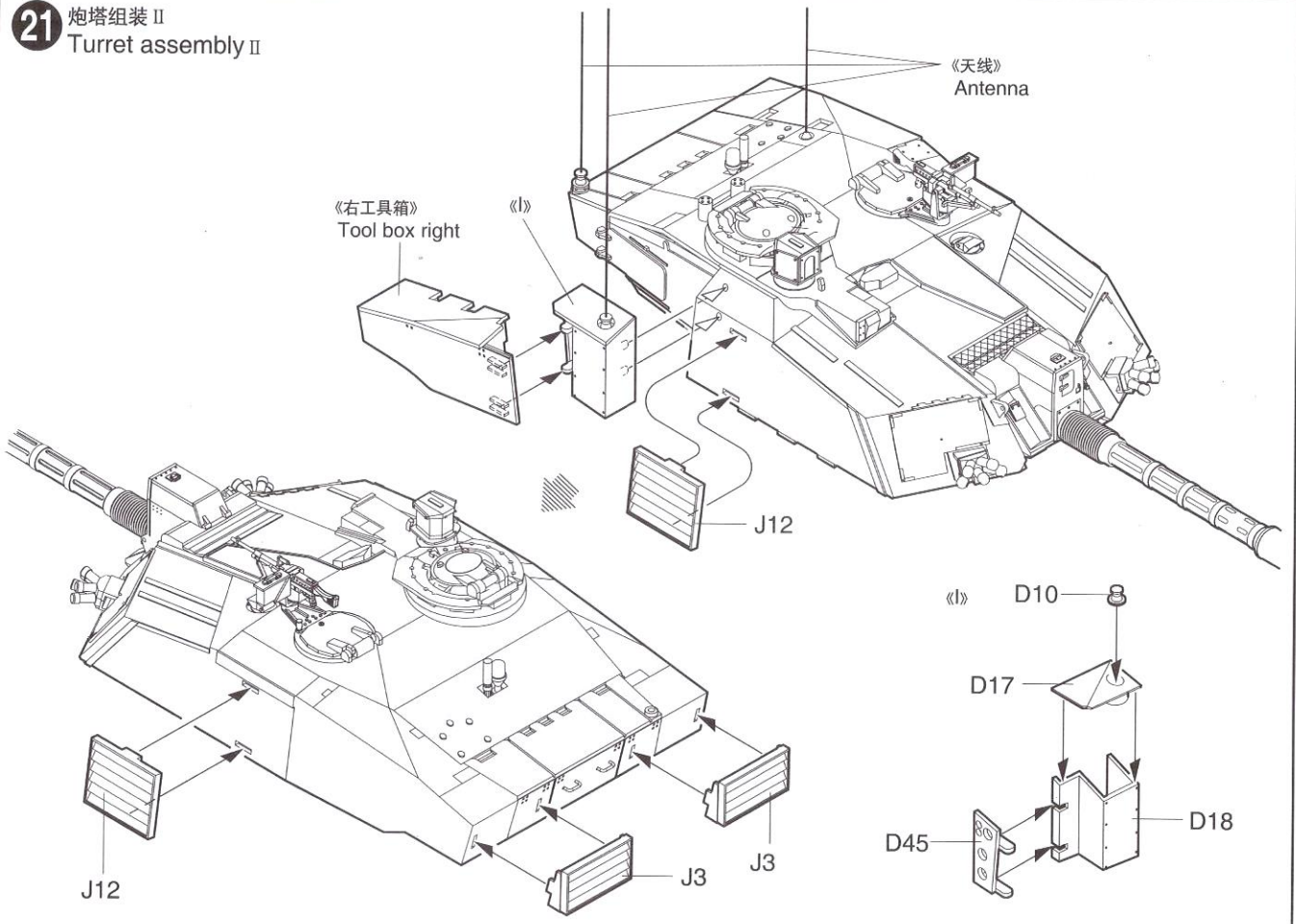


**20** 炮塔组装 I  
Turret assembly I

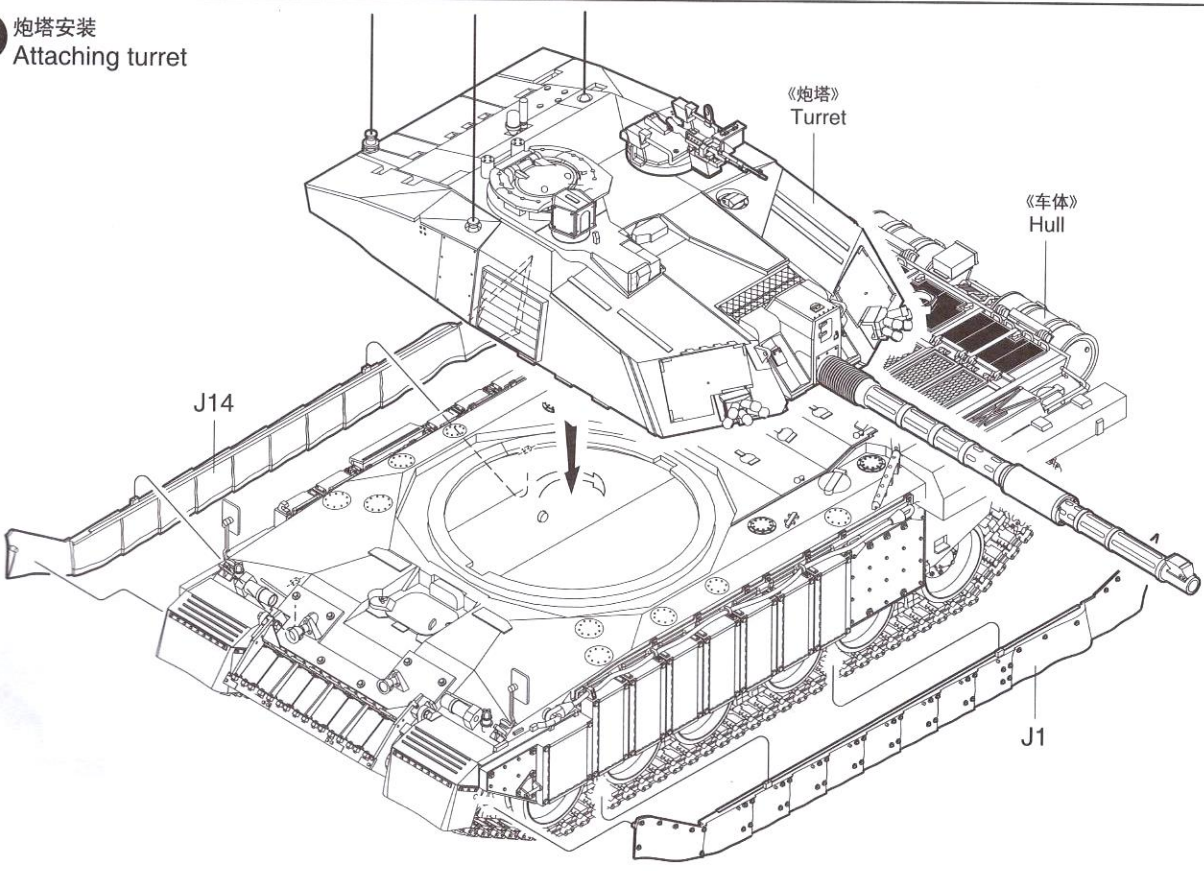




**21** 炮塔组装 II  
Turret assembly II



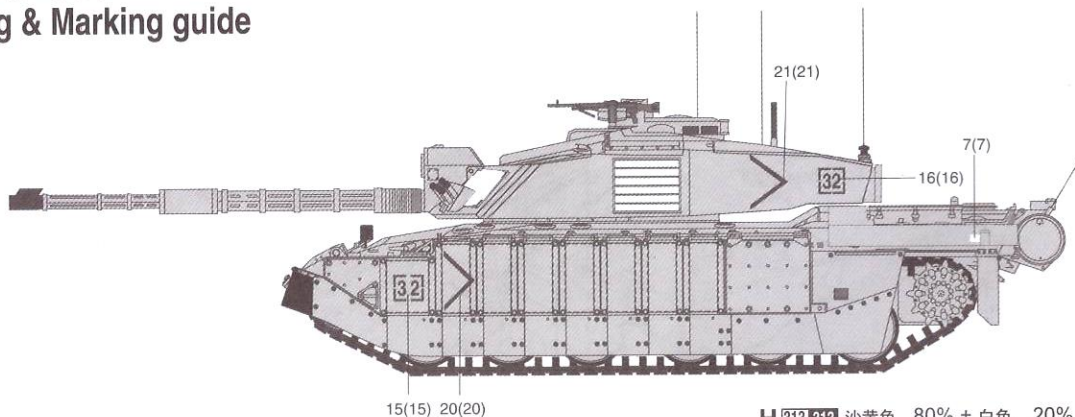
**22** 炮塔安装  
Attaching turret



# 涂装同标贴指示 Painting & Marking guide

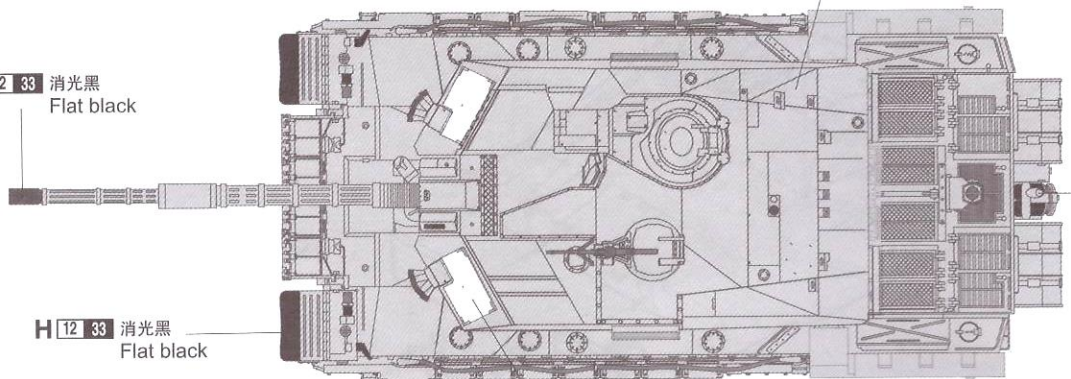
郡仕色使用

Gunze Mr. color used



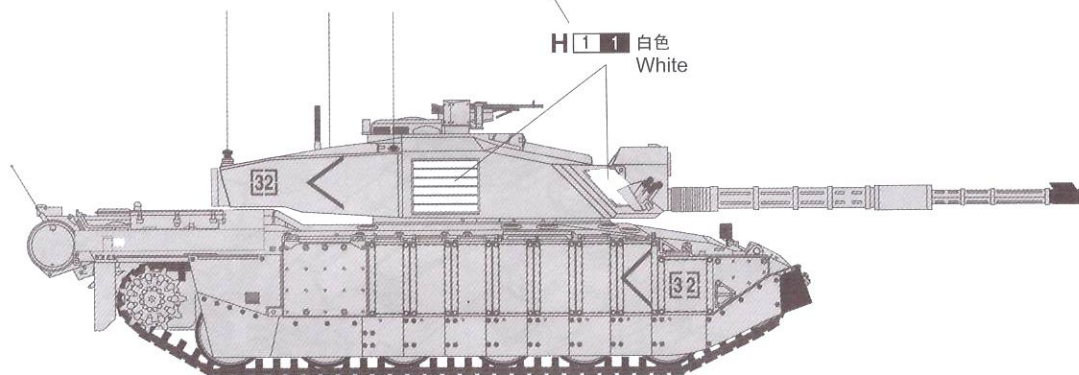
H 313 313 沙黄色 80% + 白色 20%  
Sand yellow 80% + White 20%

H 12 33 消光黑  
Flat black

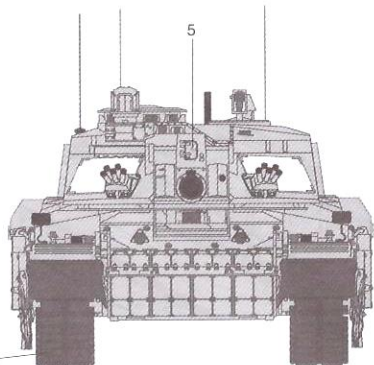


H 12 33 消光黑  
Flat black

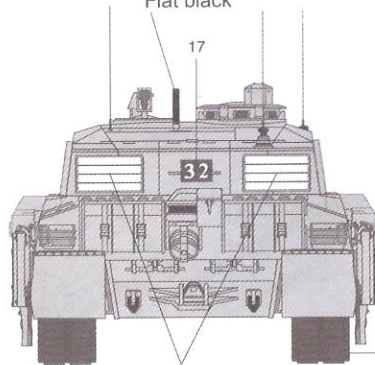
H 1 1 白色  
White



H 12 33 消光黑  
Flat black



H 12 33 消光黑  
Flat black



H 1 1 白色  
White

H 76 61 烧铁色  
Burnt iron



涂装同标贴指示  
Painting & Marking guide

郡仕色使用

Gunze Mr. color used

