

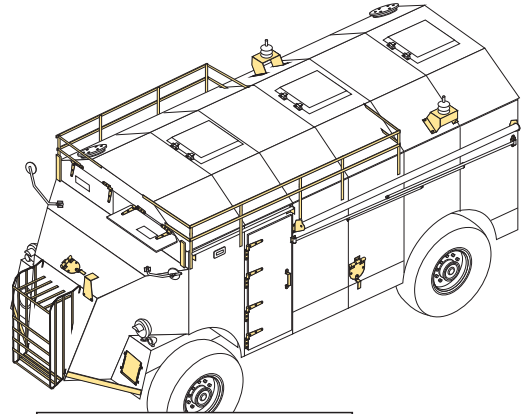
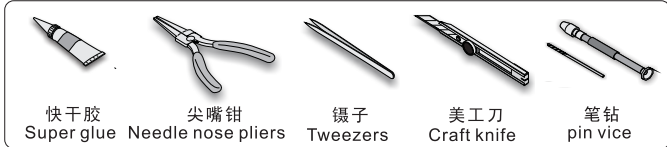
1/35 MILITARY MINIATURE VEHICLE UPGRADE SERIES PE35649



WWII British AEC 4x4 Armored Command Vehicle "Dorchester"


二战英军AEC 装甲指挥车“多尔切斯特”基本改造件

[For AFV 35227]

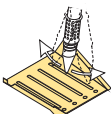
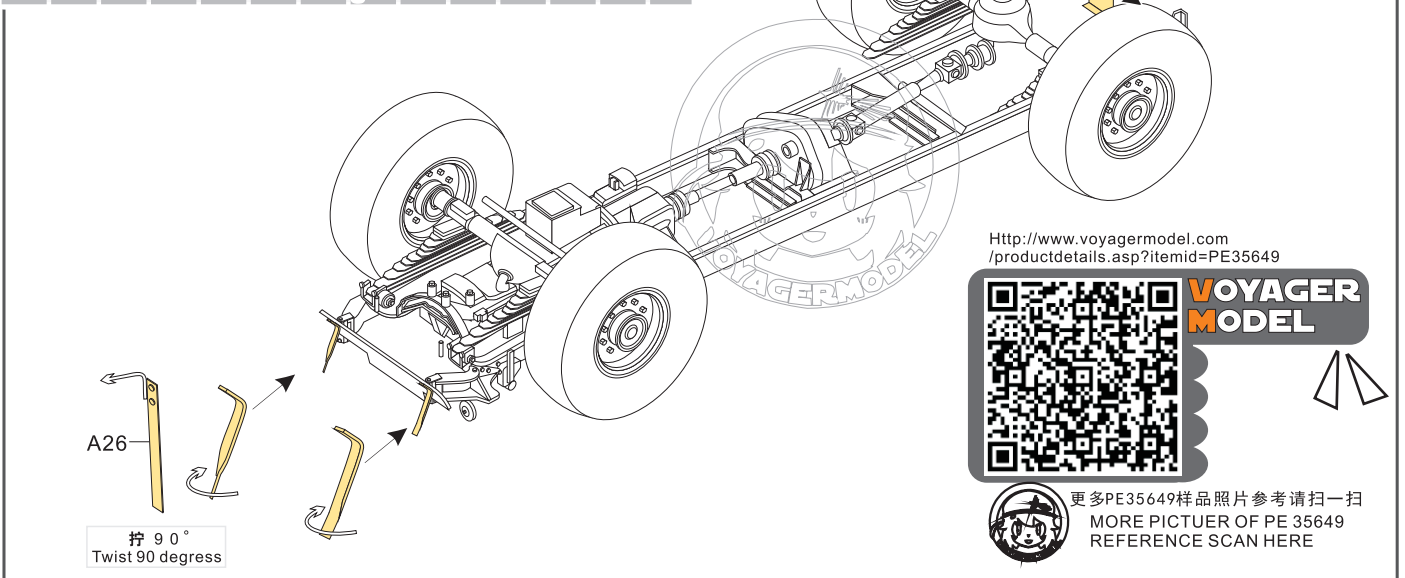
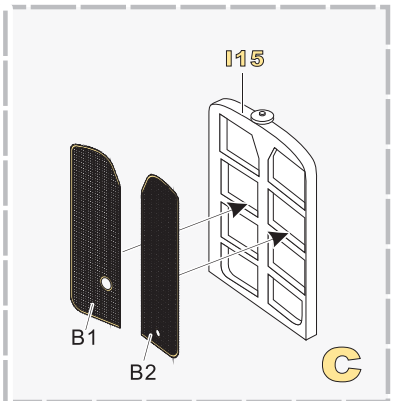
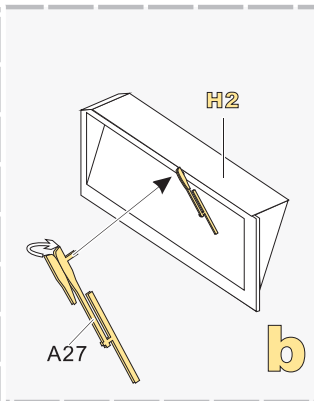
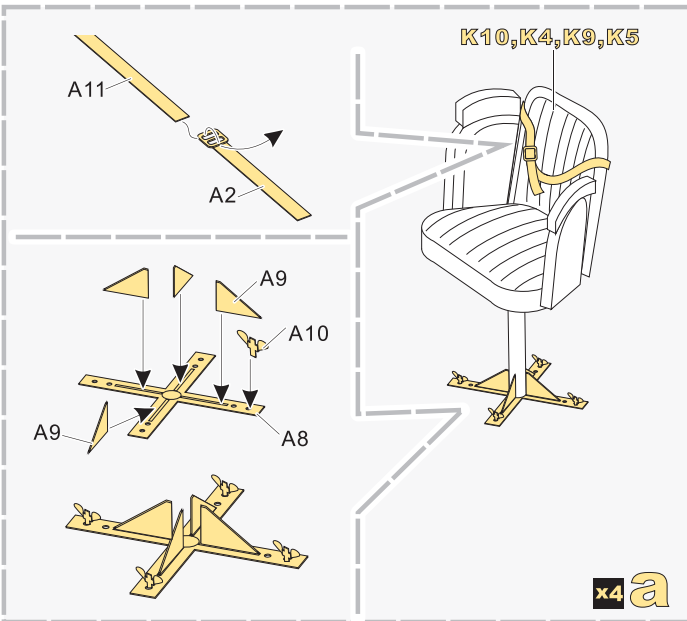
■ 推荐使用工具 RECOMMENDED TOOLS



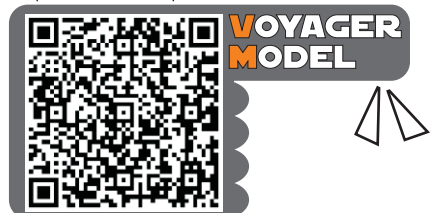
- 
 安装
install
- 
 折叠
bend
- A1**
 改造件零件编号
PE/resin part number
- B12**
 原零件编号
kit part number
- C22**
 被替换的原零件编号
replaced kit part number
- 
 钻孔
drill
- 
 切除
remove
- 
 另一侧相同制作
repeat on opposite side
- 
 弧度卷曲
radial bending
- x2**
 制作若干组
multiple assembly
- 
 选择安装
alternative


 用尖端在凹槽处冲压
use penpoint to press on the dent

蚀刻片零件内侧面向上
Put the part upside down
 用笔尖在凹槽处刺
Use penpoint to press on the dent

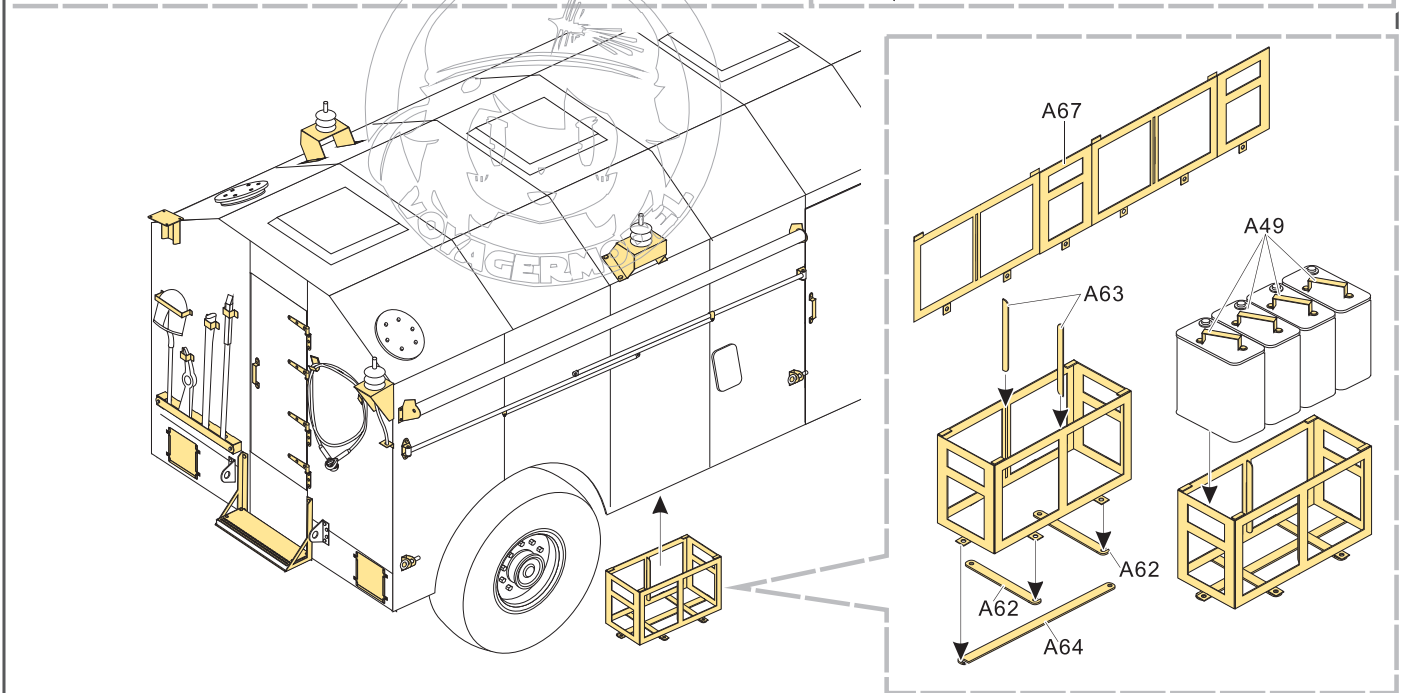
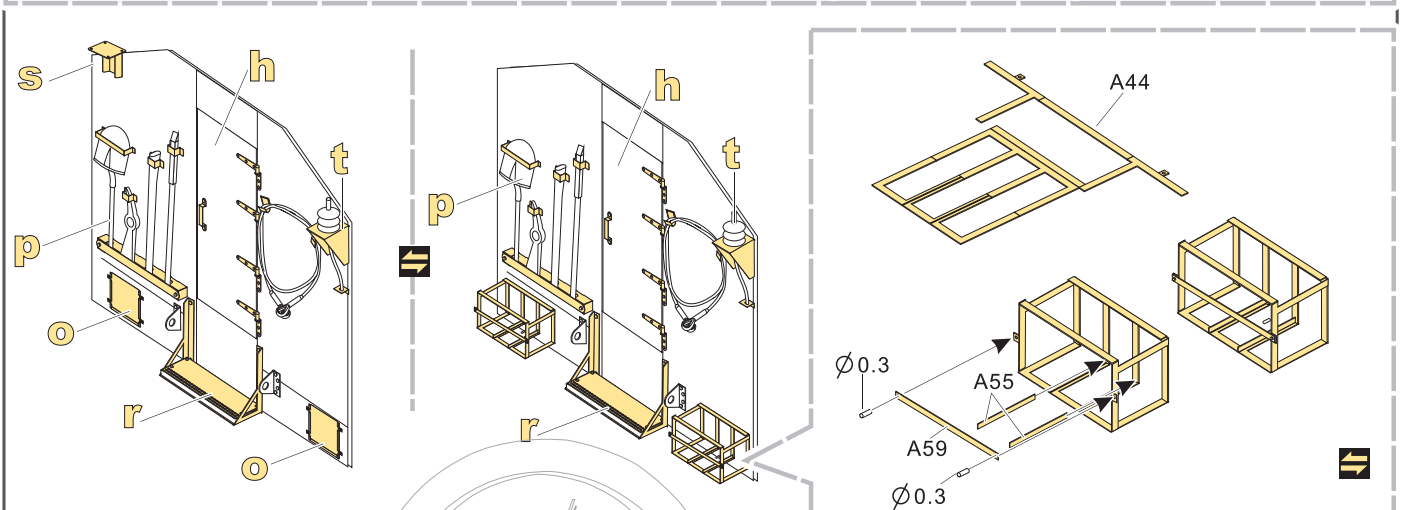
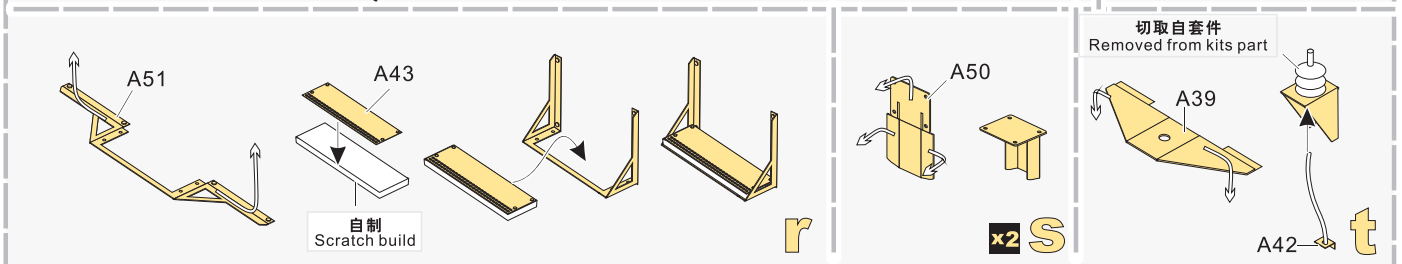
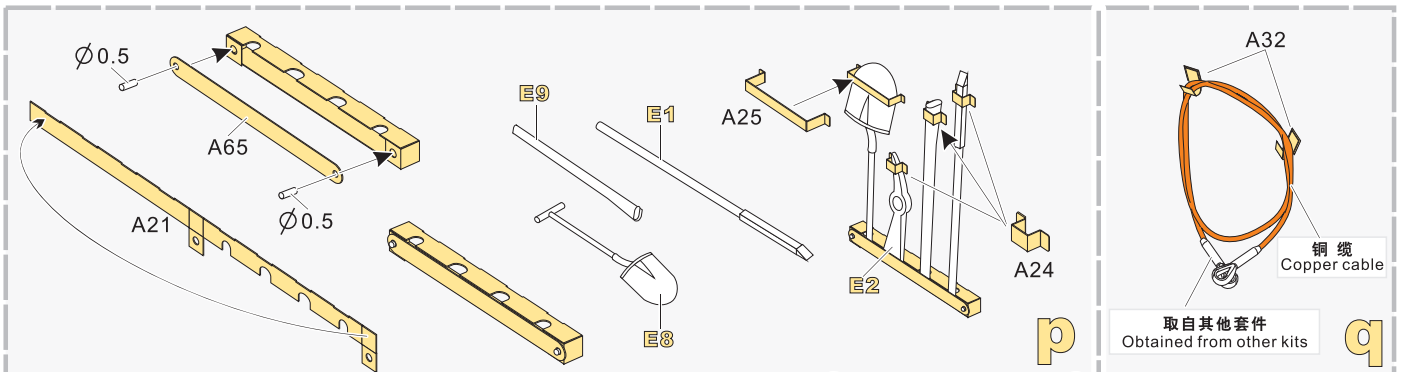



[Http://www.voyagermodel.com/productdetails.asp?itemid=PE35649](http://www.voyagermodel.com/productdetails.asp?itemid=PE35649)

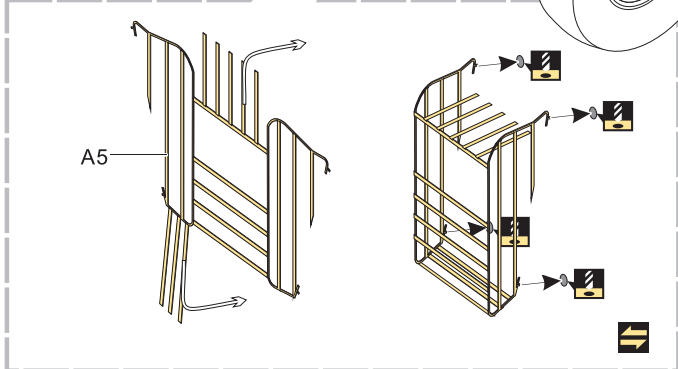
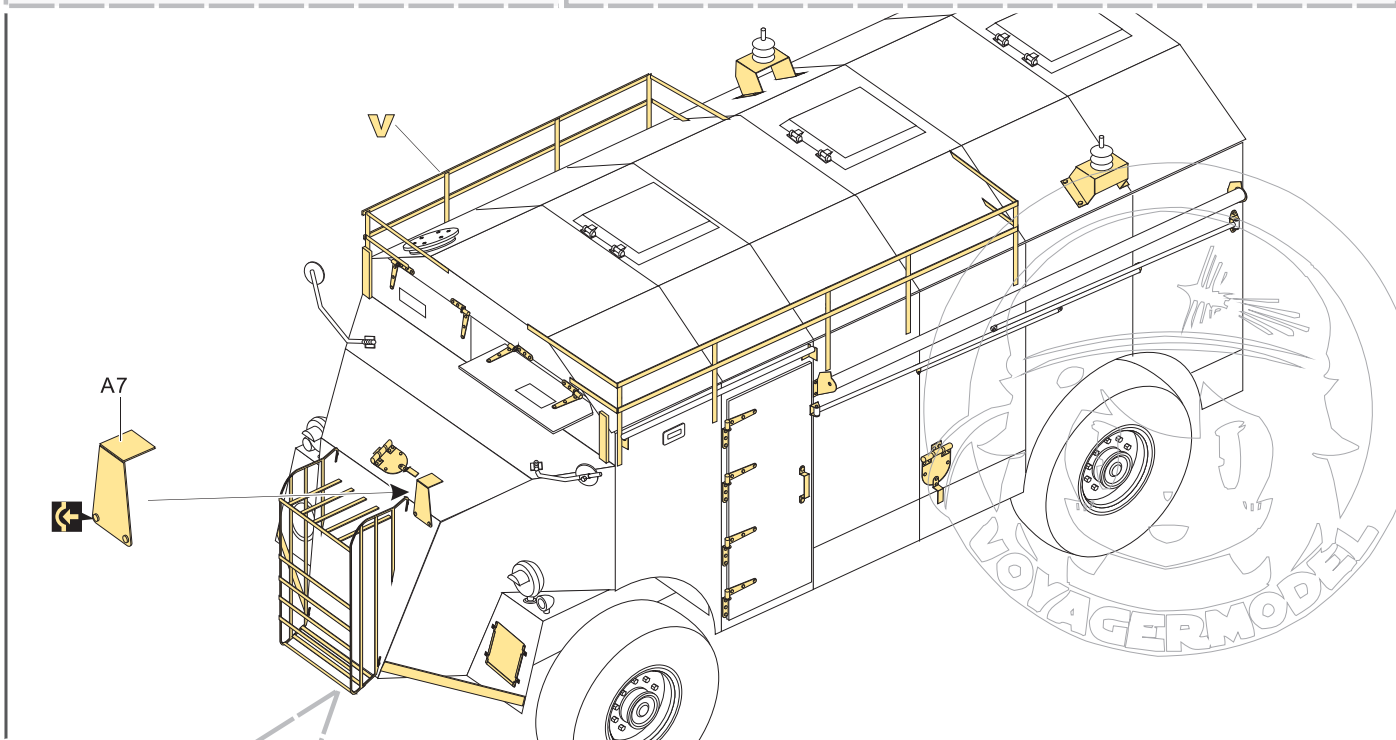
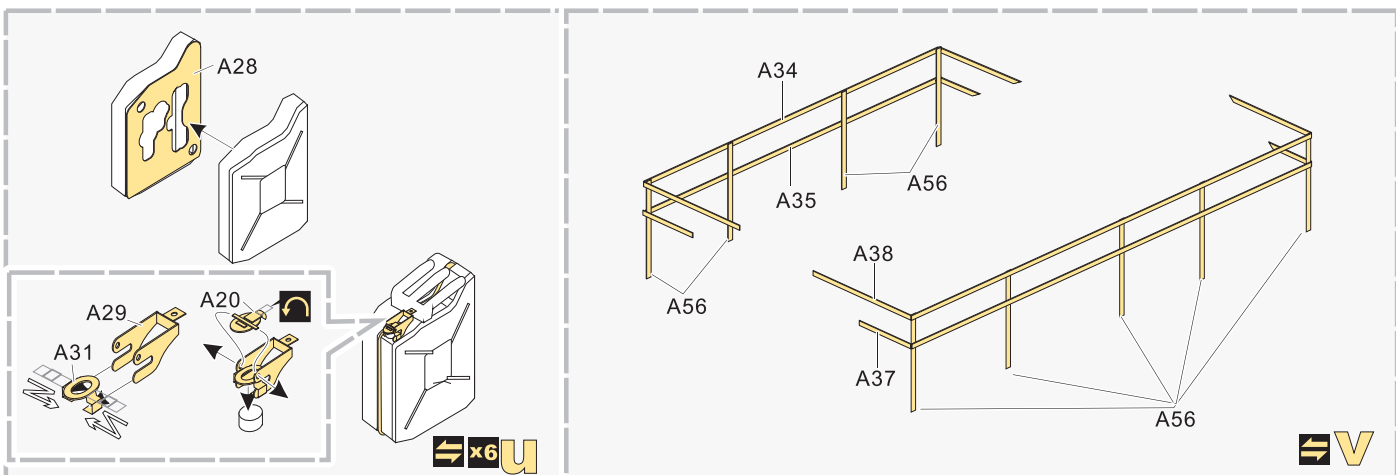


更多PE35649样品照片参考请扫一扫
MORE PICTUER OF PE 35649
REFERENCE SCAN HERE

1/35 MILITARY MINIATURE VEHICLE UPGRADE SERIES PE35649



1/35 MILITARY MINIATURE VEHICLE UPGRADE SERIES PE35649



VOYAGERMODEL® 无限不至 极致享受

Recommended item

PE 35171	WWII British Churchill Mk.III Infantry Tank
PE 35177	WWII British Churchill Mk.III AVRE
PE 35250	WWII British Armored Car Staghound Mk.I?
PE 35252	WWII British Churchill Mk.IV Infantry Tank Basic
PE 35300	WWII British Matilda Mk.III/IV
PE 35374	Modern British Challenger 2 MBT (desertised) w/ CIP
PE 35381	WWII British light utility car 10HP
PE 35514	WWII British A39 Tortoise heavy assault tank
PE 35509	WWII British Army M24 Chaffee Light Tank basic
PE 35410	WWII British 17pdr Anti-tank Gun Mk.I
PE 35423	Modern British Defender 110 Hardtop
PE 35431	Modern British Defender XD "Wolf" W.M.I.K
PE 35466	WWII British Valentine Mk.I Infantry Tank basic
PE 35491	WWII British Valentine Mk.II Infantry Tank basic