

KC-97L

14699 Plastic Model Kit Skill Level 2

Includes 2 Marking Options!

**MINICRAFT
MODEL KITS**

USAF KC-97L 52-0905, Wisconsin ANG, UK, 1973

USAF KC-97L 52-0869, Utah ANG, Iceland, 1977

New Tooling!
New Engine
& Radome Tooling!

- New Engine & Radome Tooling!
- Recessed Panel Lines
- 2 Marking Options
- Decals by Cartograf

1:144 USAF KC-97L *The Last Propeller Engine Tanker*

The KC-97 evolved from the very successful Boeing B-377 airliner and U.S. Air Force C-97 transport. The KC-97 was adapted to carry fuel for airborne refueling of United States Air Force aircraft starting in the late 1940's. The KC-97 served well into the 1970's with Air National Guard units. This latest release of the KC-97 is the last operational version of the tanker. New tooling has adds new out-board jet engines added that improved speed and load carrying capacity to extend the useful life of the KC-97.

This new kit features new tooling for outboard jet engines representing the KC-97L with markings for 2 aircraft serving the Strategic Air Command.

Marking include in this kit are:

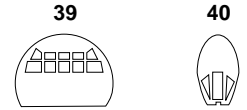
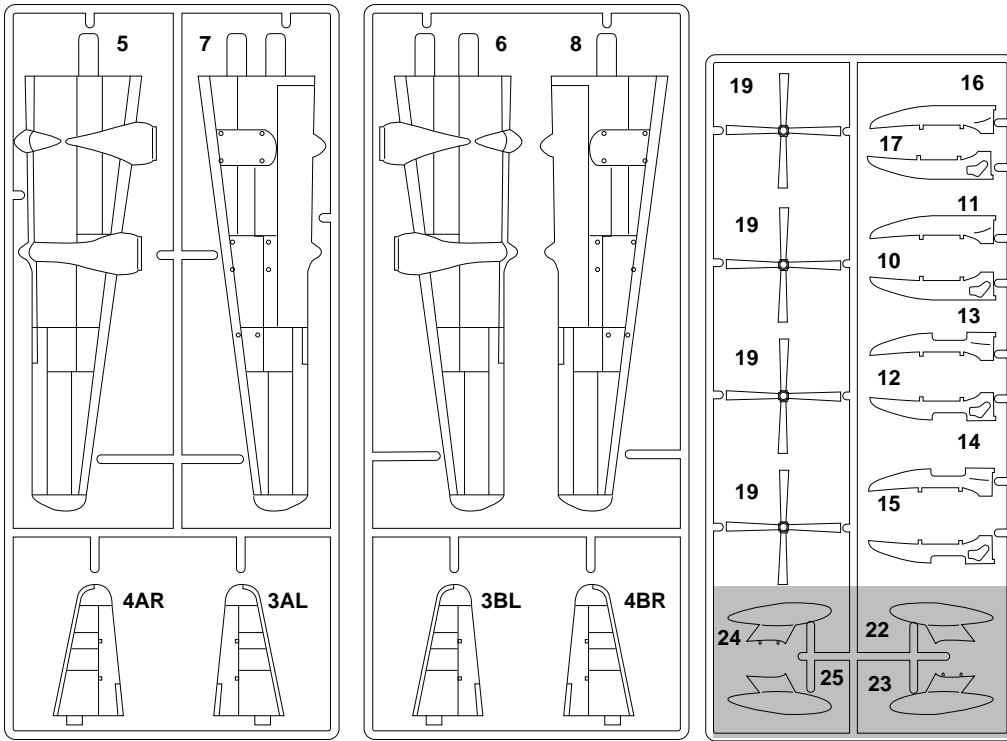
USAF KC-97L 52-0905, Wisconsin ANG, UK, 1973

USAF KC-97L 52-0869, Utah ANG, Iceland, 1977

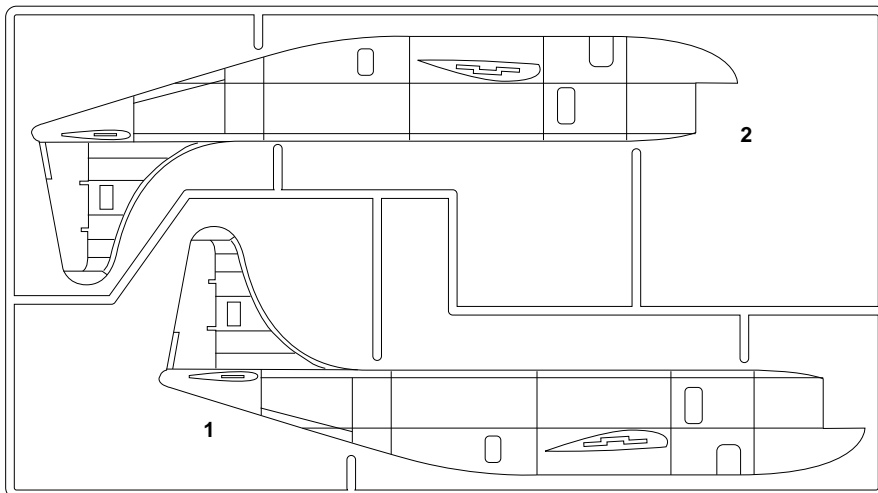
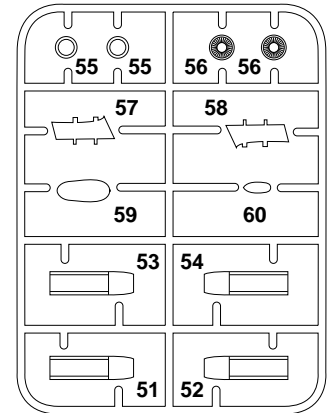
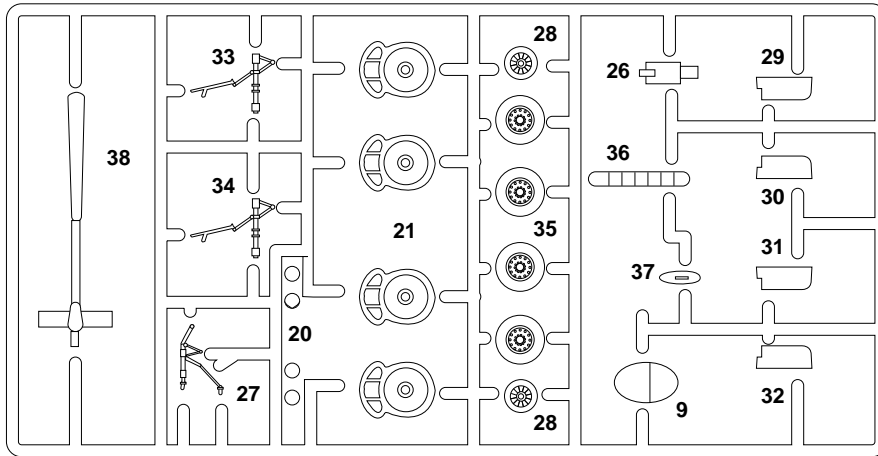
Minicraft Models, 1501 Commerce Drive, Elgin IL 60123 USA

www.minicraftmodels.com

PARTS LAYOUT DIAGRAM



NOTE
Parts shown in gray
are not for use.





Cement
Coller
Kleben
Pegar
Incollare
Colar
Kleven



DO NOT Cement
Ne pas Coller
Nicht Kleben
No Pegar
Non Incollare
Nao Colar
Niet Kleven

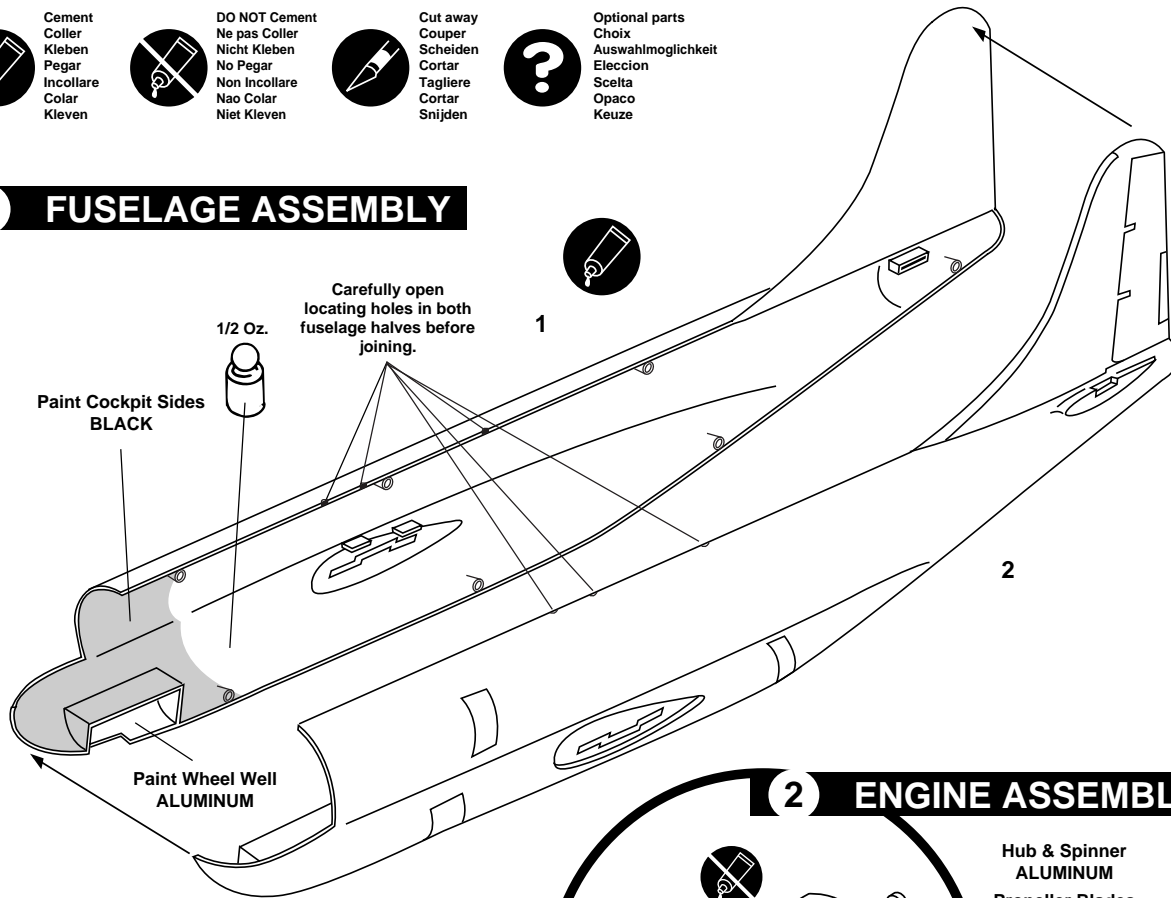


Cut away
Couper
Scheiden
Cortar
Tagliere
Cortar
Snijden

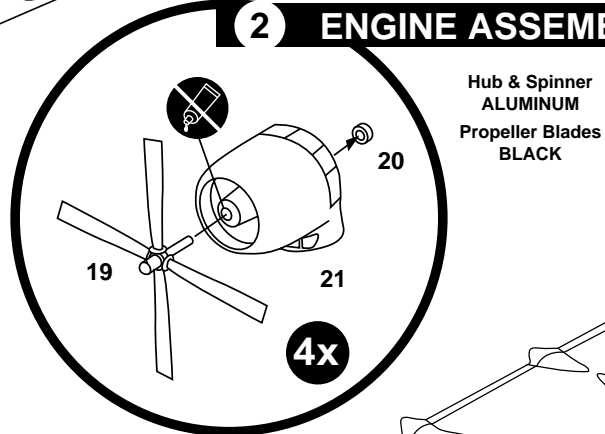


Optional parts
Choix
Auswahlmoglichkeit
Eleccion
Scelta
Opaco
Keuze

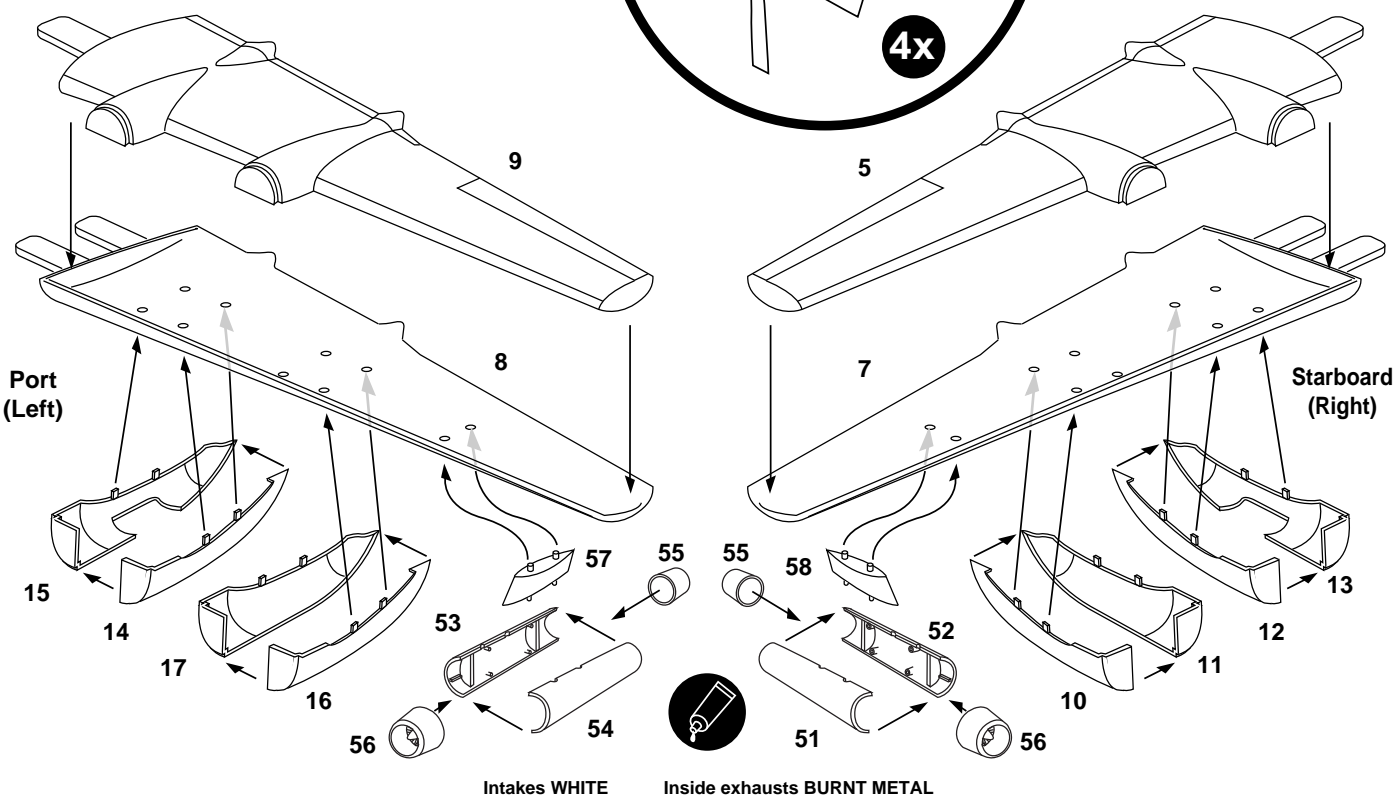
1 FUSELAGE ASSEMBLY



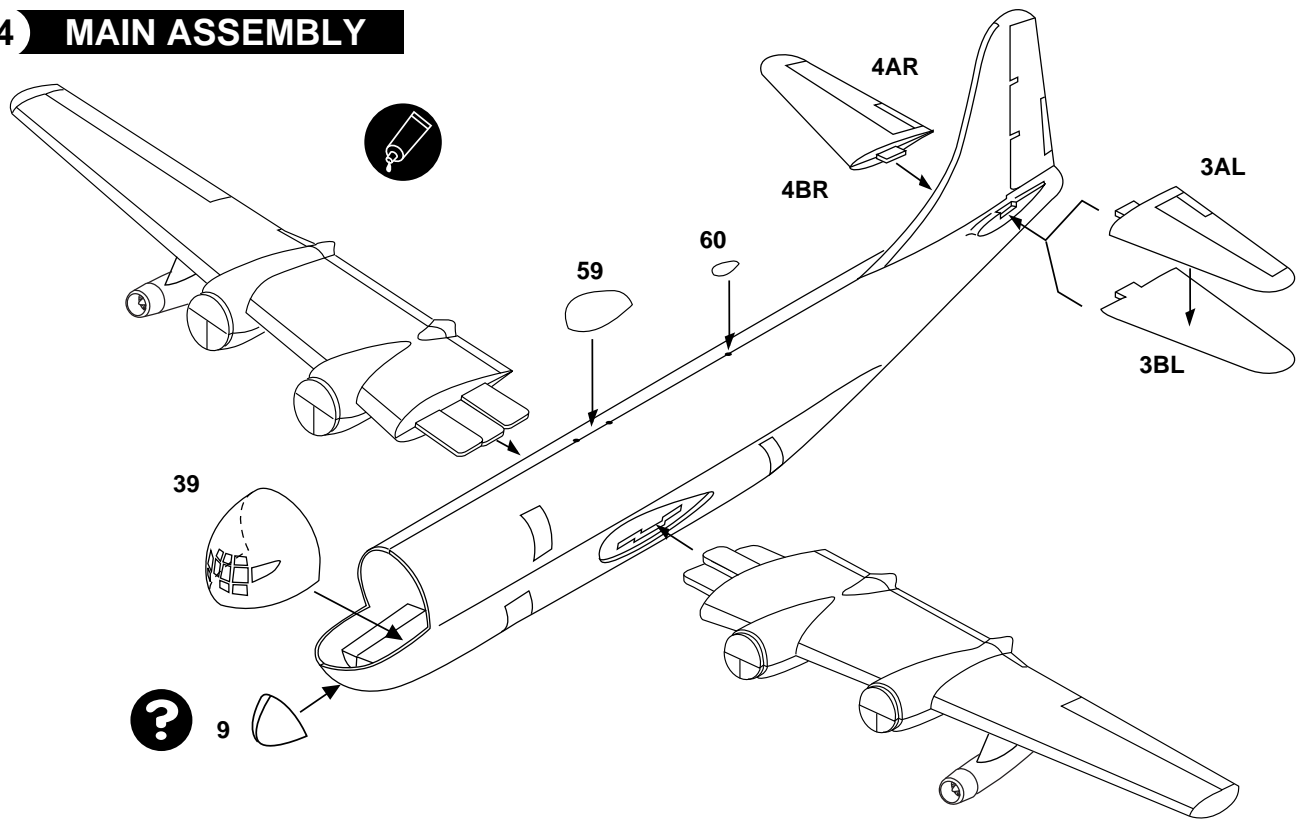
2 ENGINE ASSEMBLY



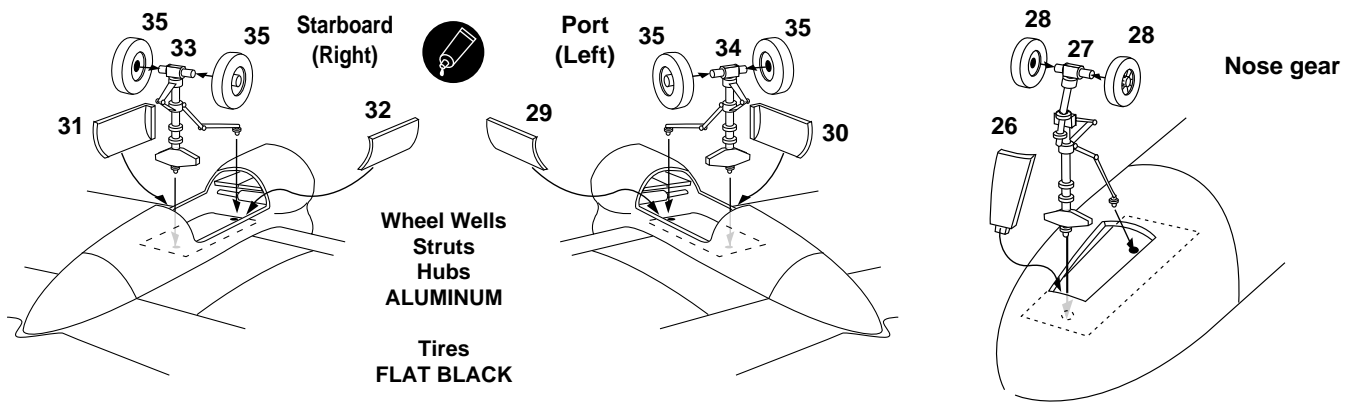
3 WING ASSEMBLY



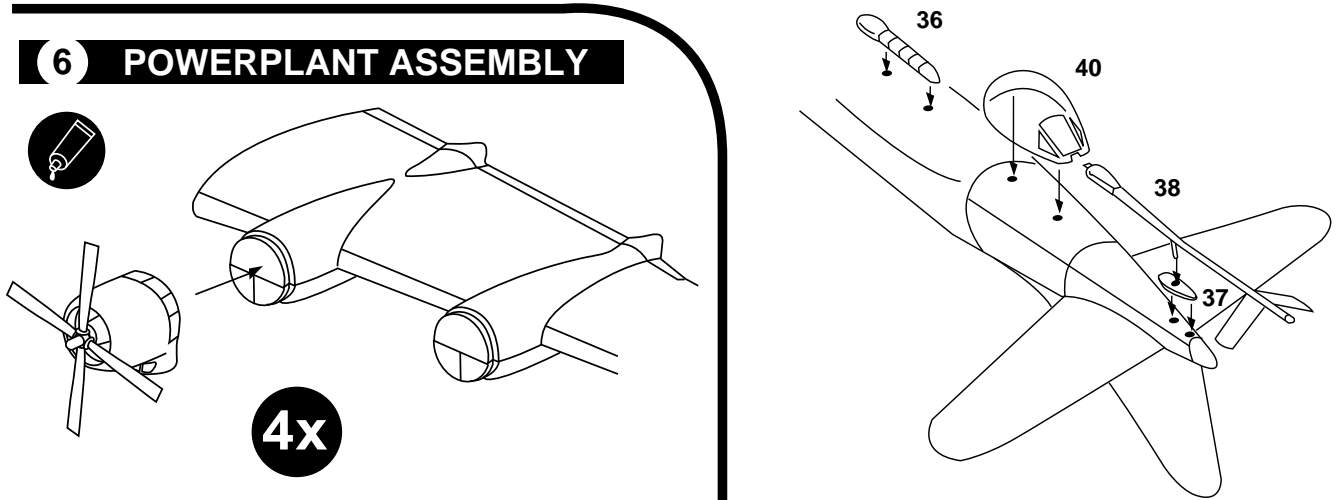
4 MAIN ASSEMBLY



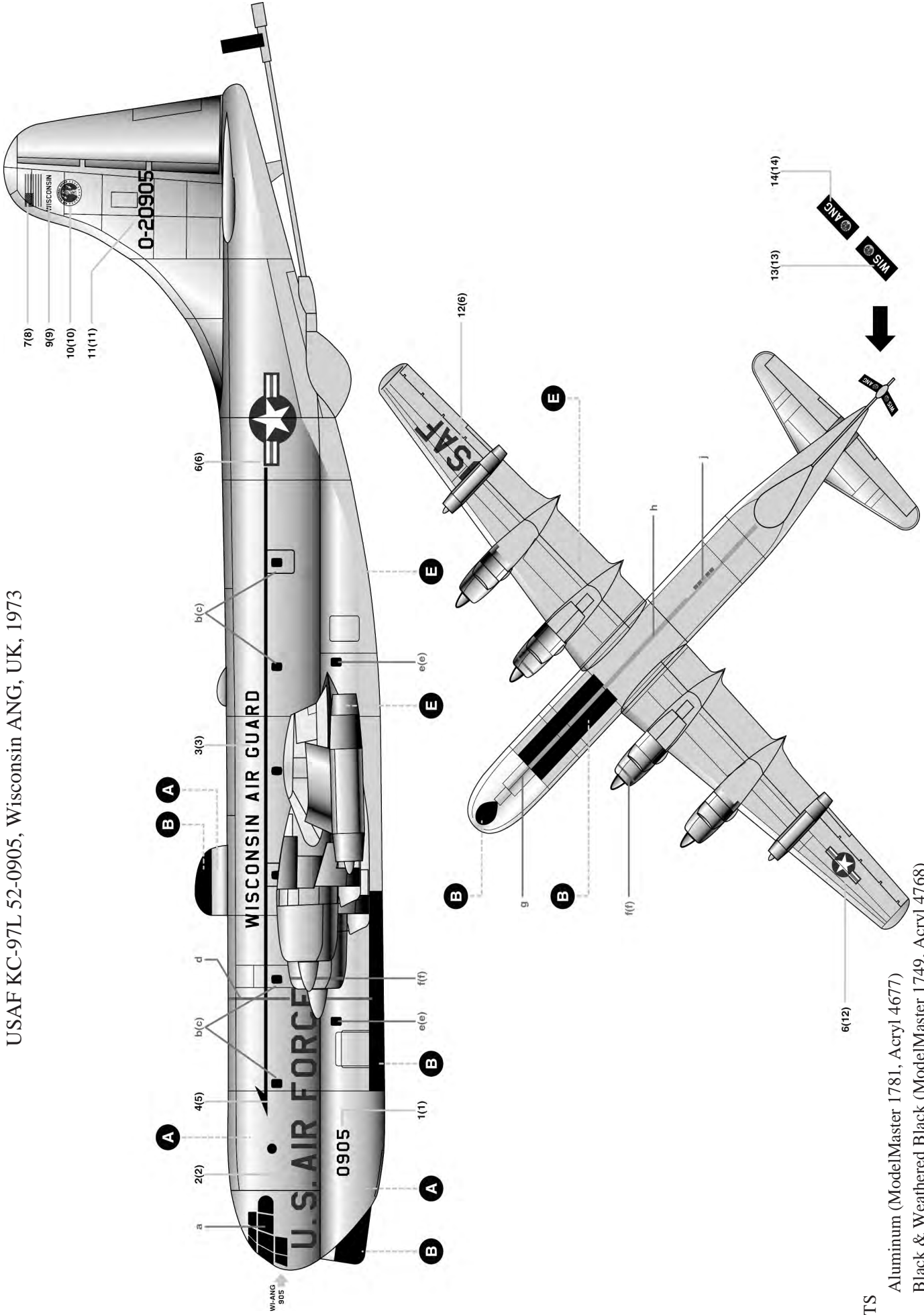
5 LANDING GEAR / REFUELLING BOOM



6 POWERPLANT ASSEMBLY



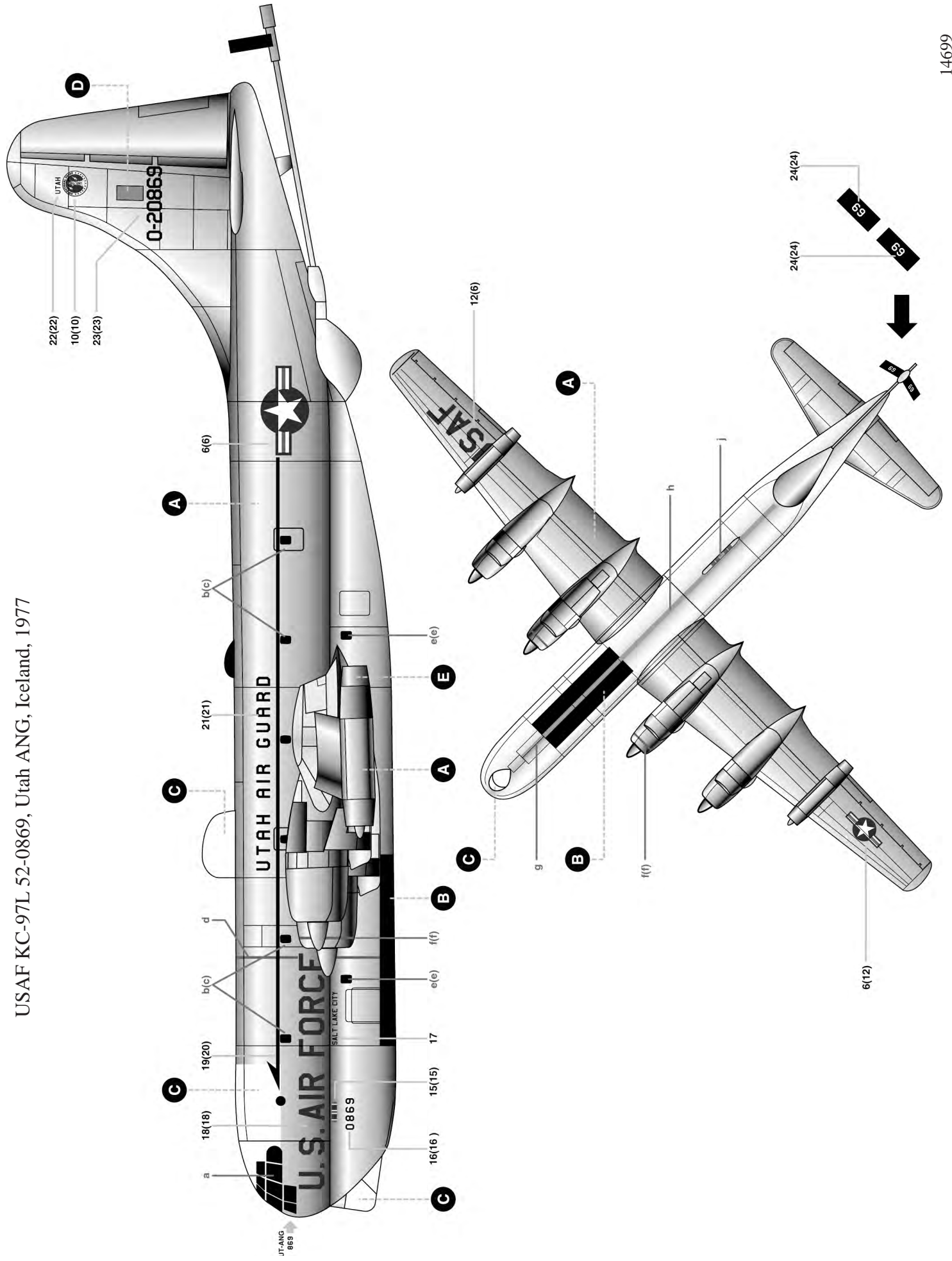
USAF KC-97L 52-0905, Wisconsin ANG, UK, 1973



PAINTS

- A Aluminum (ModelMaster 1781, Acryl 4677)
- B Black & Weathered Black (ModelMaster 1749, Acryl 4768)
- C IJN Gray - Green FS34201 (ModelMaster 1745, Acryl 4696)
- D FS30117 Brown (ModelMaster 1701, Acryl 4707)
- E FS16473 Aircraft Gray (ModelMaster 1731, Acryl 4693)

USAF KC-97L 52-0869, Utah ANG, Iceland, 1977



Your Minicraft model includes high-quality waterslide decals. These decals adhere best to a glossy surface; and it is recommended that you apply a clear gloss coat over your painted model.

Use a sharp scissors or knife to cut individual decals from the carrier sheet. Do not cut into the clear film surrounding the individual decals.

* It is recommended that you apply one decal at a time.

* Place the decal section in warm water, when first inserted in the water your decal will curl, after approximately ten seconds the decal will uncurl. Remove from water and lay on a paper towel. After approximately 10 - 20 seconds the decal will slide freely from the backing paper. Use a small brush to help slide the decal from the backing paper and into position on the model. Carefully blot excess water from the decal, using care not to move the decal or tear it.

* If you choose to use a setting solution, apply a thin coat over the decal following the manufacturer's instruction.

* Allow the decal to dry overnight. Wash any adhesive residue off the model with a small amount of clean water and dry thoroughly.

* Apply clear gloss, matte or flat coat to seal decals following the instructions from the manufacturer.



Legends in the making™

Visit our Website-
www.minicraftmodels.com

Minicraft Models (US) LLC
1501 Commerce Drive
Elgin, IL 60123

Phone: 847-429-9676

Printed in China