

Bell AH-1G "Cobra" Early / Late

Plastic model

scale : 1/72

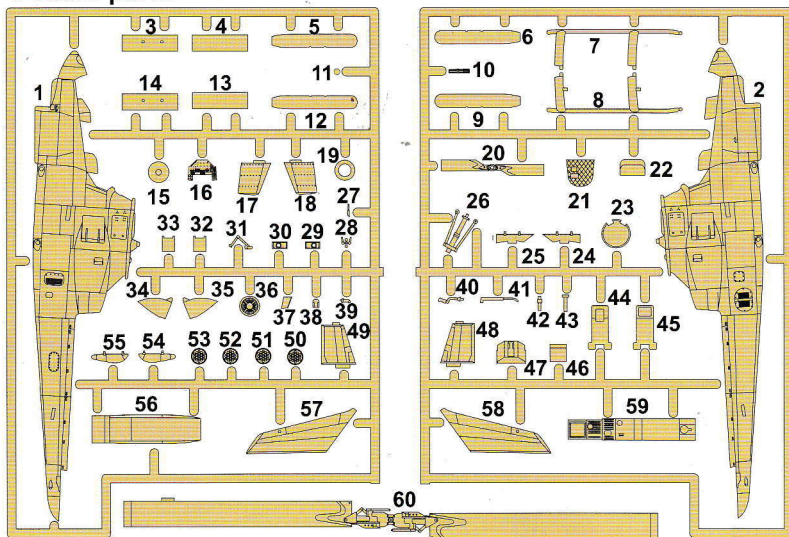
History note

The first AH-1G Huey Cobras had been delivered, since June 1967. Originally designated as UH-1H, the "A" for attack designation was soon adopted and when the improved UH-1D became the UH-1H, the HueyCobra became the AH-1G. The AH-1 was initially considered a variant of the H-1 line, resulting in the G series letter.

AH-1 Cobras were in use by the Army during the Tet offensive in 1968 and through the end of the Vietnam War. Huey Cobras provided fire support for ground forces, escorted transport helicopters and other roles, including aerial rocket artillery (ARA) battalions in the two Airmobile divisions. They also formed "hunter killer" teams by pairing with OH-6A scout helicopters. A team featured one OH-6 flying slow and low to find enemy forces. If the OH-6 drew fire, the Cobra could strike at the then revealed enemy. Bell built 1,116 AH-1Gs for the US Army between 1967 and 1973, and the Cobras chalked up over a million operational hours in Vietnam. Out of nearly 1,110 AH-1s delivered from 1967 to 1973 approximately 300 were lost to combat and accidents during the war.

The U.S. Marine Corps used AH-1G Cobras in Vietnam for a short time before acquiring twin-engine AH-1J Cobras. AH-1 Cobras were deployed for Operation Urgent Fury, the invasion of Grenada in 1983, flying close-support and helicopter escort missions. Army Cobras participated in Operation Just Cause, the US invasion of Panama in 1989.

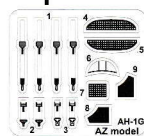
Plastic parts



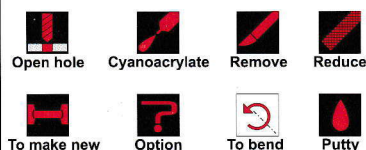
Clear parts
C1



Metal parts

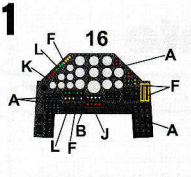
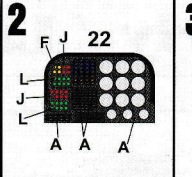
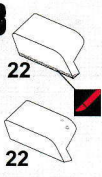
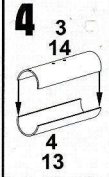
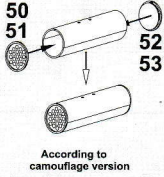
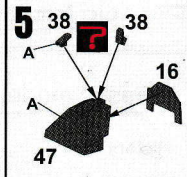


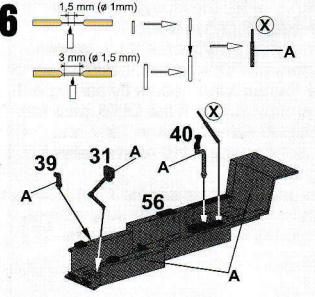
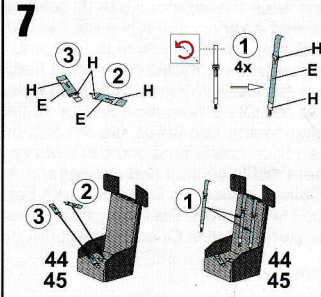
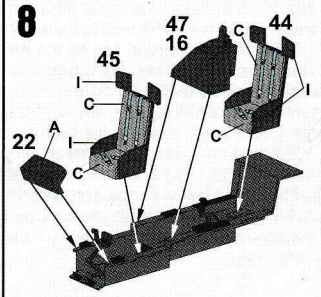
Symbols

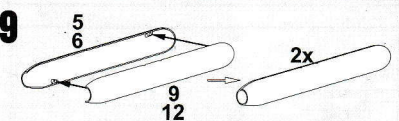
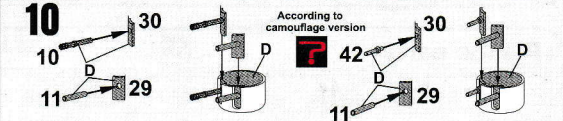


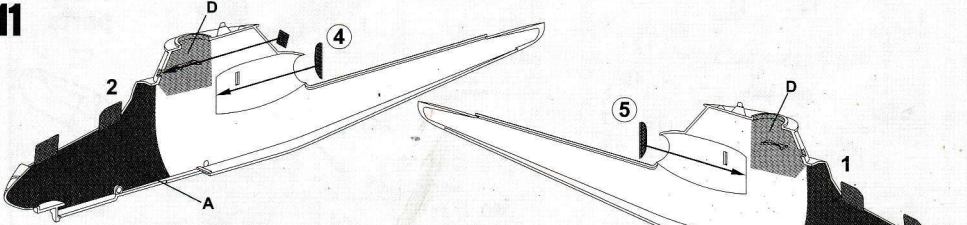
	Colour name	Humbrol		Colour name	Humbrol
A	Black	H33	G	Aluminium	H56
B	White	H34	H	Silver	H11
C	Dark Grey	H32	I	Tyre	H85
D	Gunmetal	H53	J	Red	H132
E	Navy Blue	H77	K	Rust	H113
F	Yellow	H24	L	Green	H131

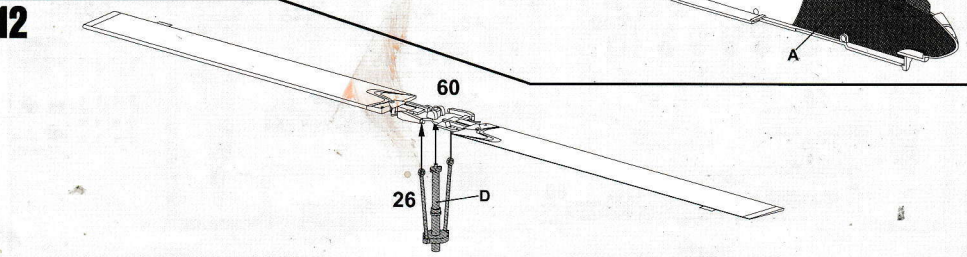
Assembly instructions

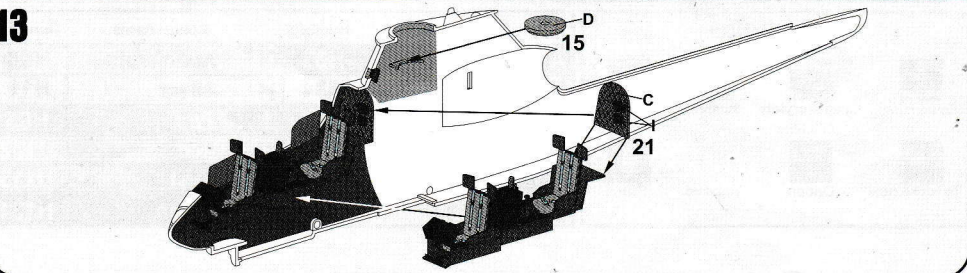
1  **2**  **3**  **4**   **5** 
 According to camouflage version

6  **7**  **8** 

9  **10** 
 According to camouflage version

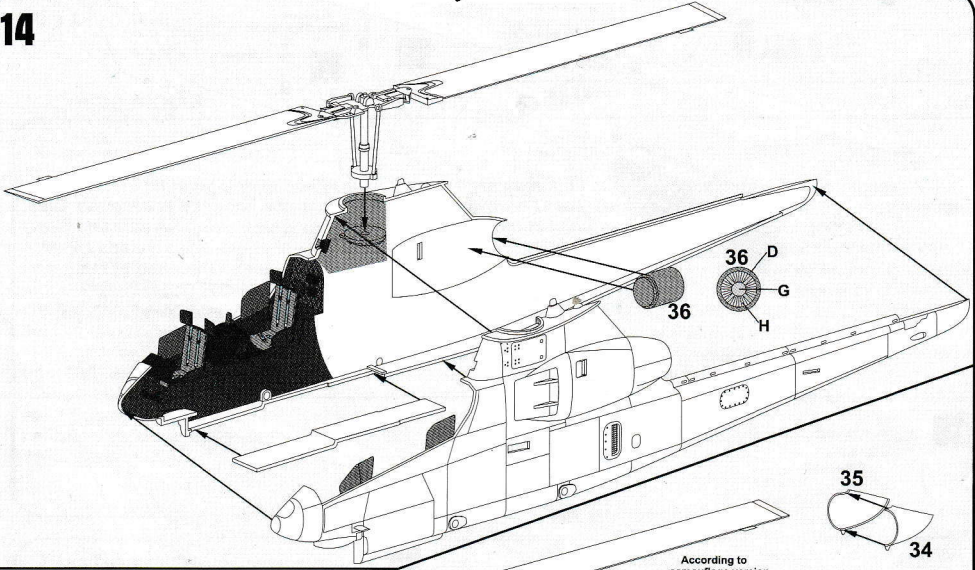
11 

12 

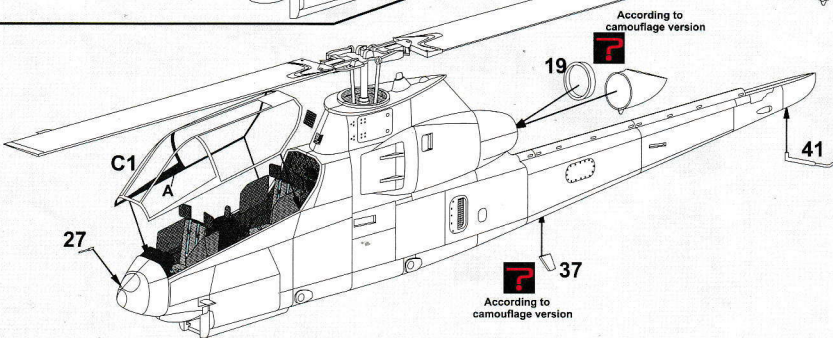
13 

Assembly instructions

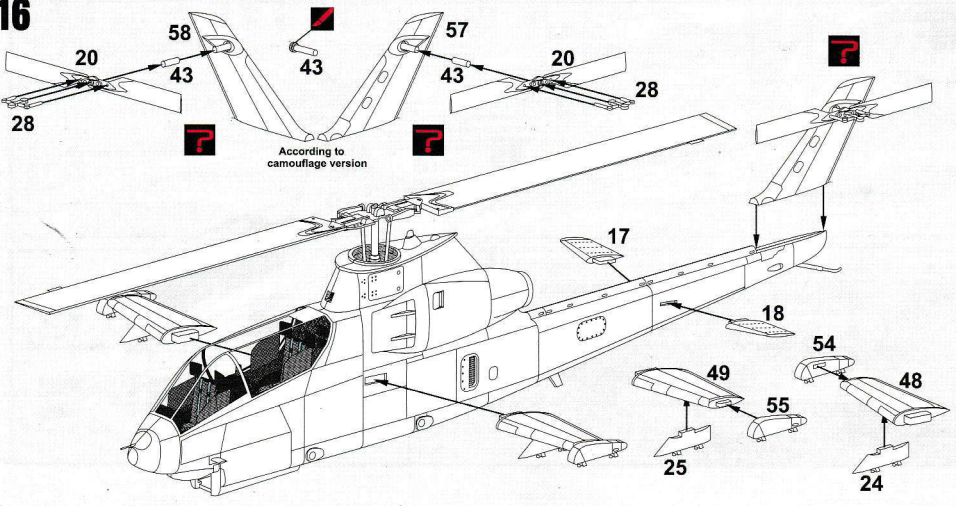
14



15

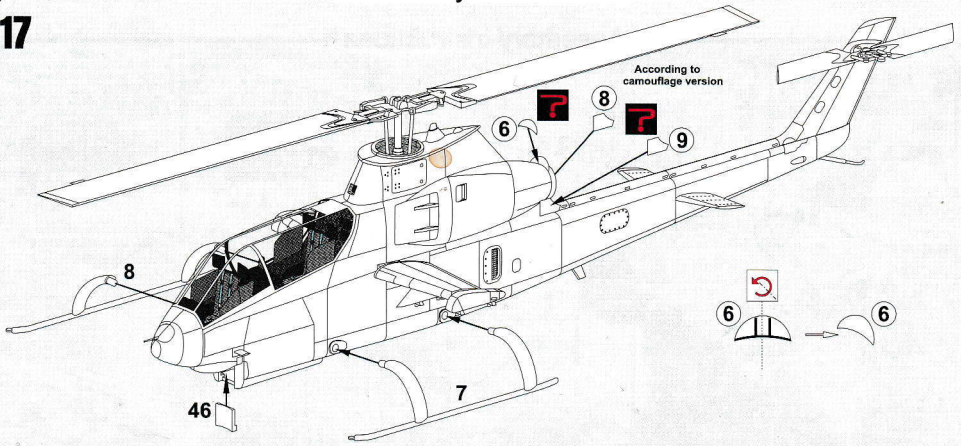


16

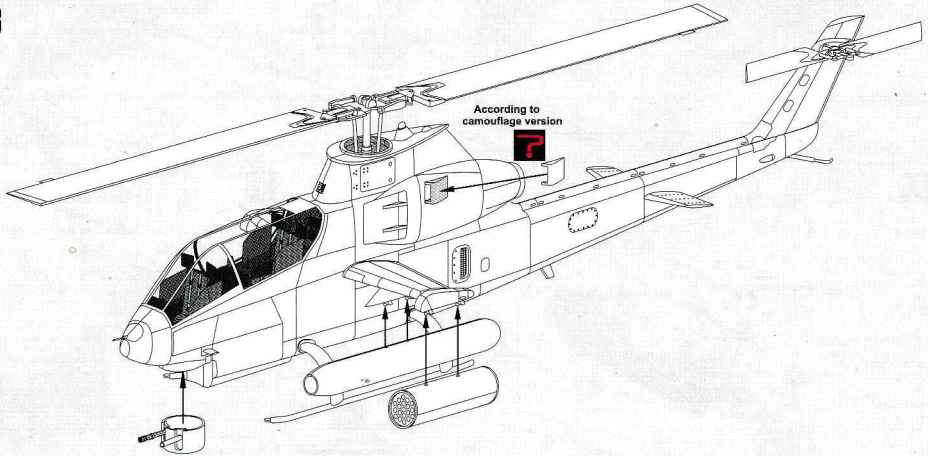


Assembly instructions

17



18



19

