

部品图 Parts

Bx2

Cx2

D

E

F

G

J

K

L

M

N

AAX4

Y1

Y3

蚀刻片
Photo etched parts(PE)

棉绳 Rope
Ø0.8x50mm

履带
Track x90

贴纸
Decal

车底
Lower hull

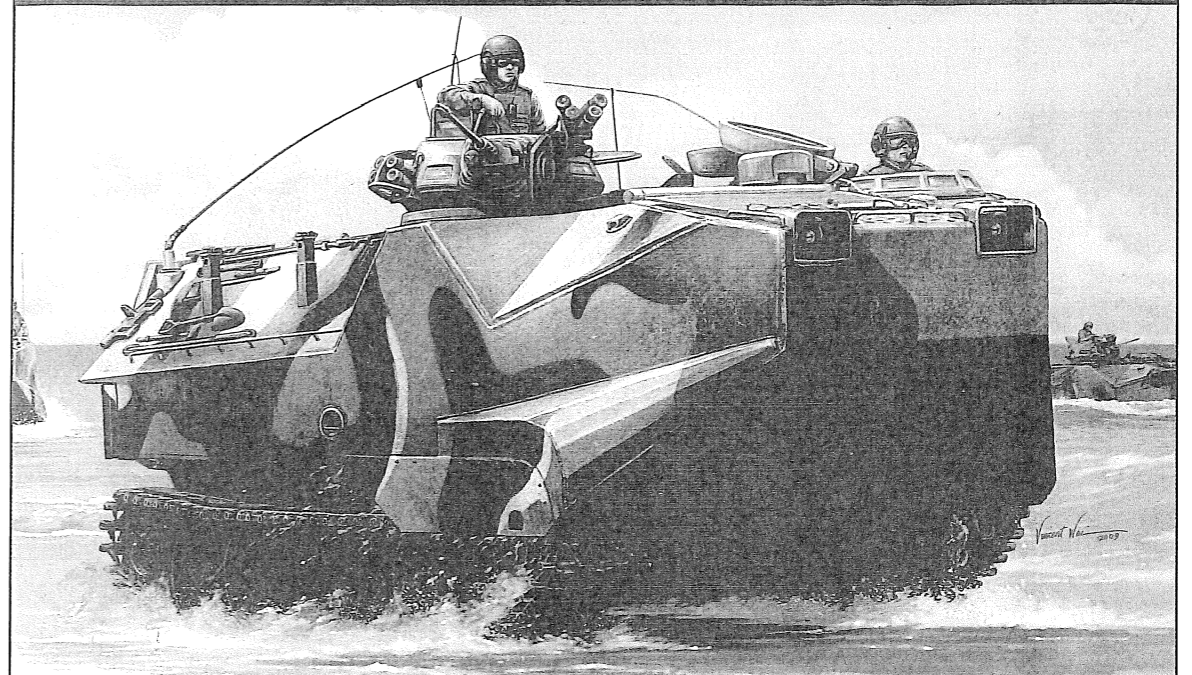
车底
Upper hull

1 2 3 4 5 6 7 8 9 10 11 12 13 14 15 16 17 18 19 20 21 22 23 24 25 26 27 28 29 30 31 32 33 34 35 36 37 38 39 40 41 42 43 44 45 46 47 48 49 50 51 52 53 54 55 56 57 58 59 60 61 62 63 64 65 66 67 68 69 70 71 72 73 74 75 76 77 78 79 80 81 82 83 84 85 86 87 88 89 90 91 92 93 94 95 96 97 98 99 100

AAVP-7A1 Assault Amphibian Vehicle Personnel
1/35 Scale
HobbyBoss NO.82410

1/35 Scale

ITEM No.:82410



AAVP-7A1 Assault Amphibian Vehicle Personnel
AAVP-7A1 水陸兩用強襲車 **AAVP-7A1两栖运兵车**

PLEASE READ BEFORE OPERATION!

- * Tools recommended as below: (Not included)
Adhesives; Paints; Side Cutters; Sharp Edged Pliers; Modeling Knife; Modeling File; Nippers; Drill; Scissors; Sand Paper; Soft Cloth; Cyanoacrylate Glue.
- * Make sure to read this instruction listed below before assembling.
- * The kit contains the small parts, they can be dangerous if swallowed by mistake, so keep them away from reach of children.
- * Cut the all parts off carefully and remove the waste parts into the garbage can.
- * More caution and care should be needed for cutting and handling the photo etched parts.
- * Make attention that some parts should be attached the decal when assembled.
- * During assembling, please tear up and throw away the plastic bags, or may cause the dangerous if wearing over head by children's mistake.
- * When using the adhesives and paints, please do not use them in the closed room or near the fire, also must be very careful to protect your eyes, face and clothes.
- * Adult supervised when assembled by children under 14 years old.

- 装配前请仔细阅读:
- * 推荐使用的模型工具(请自备):
专用模型胶水, 专用模型油漆, 水口剪刀, 长咀钳, 刀片, 锉刀, 镊子钳, 钻, 剪刀, 软布, 砂纸, 瞬间快干胶等。
 - * 用水口剪刀或刀片小心切下所有塑胶零件和蚀刻片零件, 不要遗失小零件。
 - * 切取蚀刻片时应特别注意防止利边划伤手指。
 - * 用模型锉刀小心锉平所有零件表面的注射浇口。
 - * 用适量的强力快干胶水粘合蚀刻片零件和金属轴, 切忌过量, 否则可能导致可动零件被粘住。
 - * 注意某些零件表面需在装配时同步贴水上贴纸。
 - * 制作时应远离幼儿并将包装袋及时收妥, 谨防小孩玩耍而引起意外。

using ca super glue 使用强力胶	weight 配重	make hole 钻孔	cut / remove 切除	option 选择	no cement 不涂胶水	decal 贴纸	bend 弯曲	repair 填补

The method to apply the decals

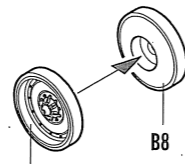
1. Cut off the decal from the decal paper and put it into the warm water 40°C for 10 seconds.
2. Take the decal from the water and put it on a piece of clean cloth.
3. Remove the decal slowly from the paper to the targeted location by a wet finger.
4. Use a piece of dry and soft cloth to press it gently on the decal until it getting dry and no bubble existing.

水贴纸的使用方法:

- 一. 把相关的印花从水贴纸上剪下, 放入40°C左右的温水中浸10秒。
- 二. 然后将印花放在干净的布上。
- 三. 拿上印花纸板, 手指蘸水将印花移到适当的位置。
- 四. 用软干布轻压印花直至水干, 气泡消失。

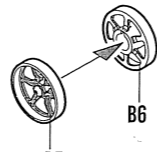
1 STEP

负重轮
Road wheel



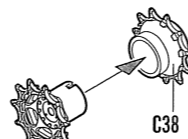
制作12组
Make twelve

诱导轮
Idler wheel



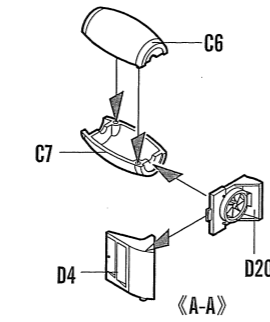
制作2组
Make two

主动轮
Drive wheel

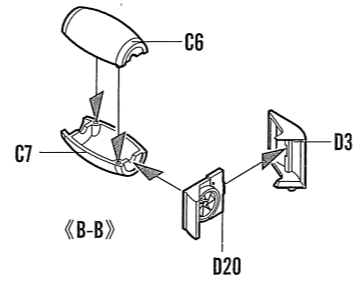


制作2组
Make two

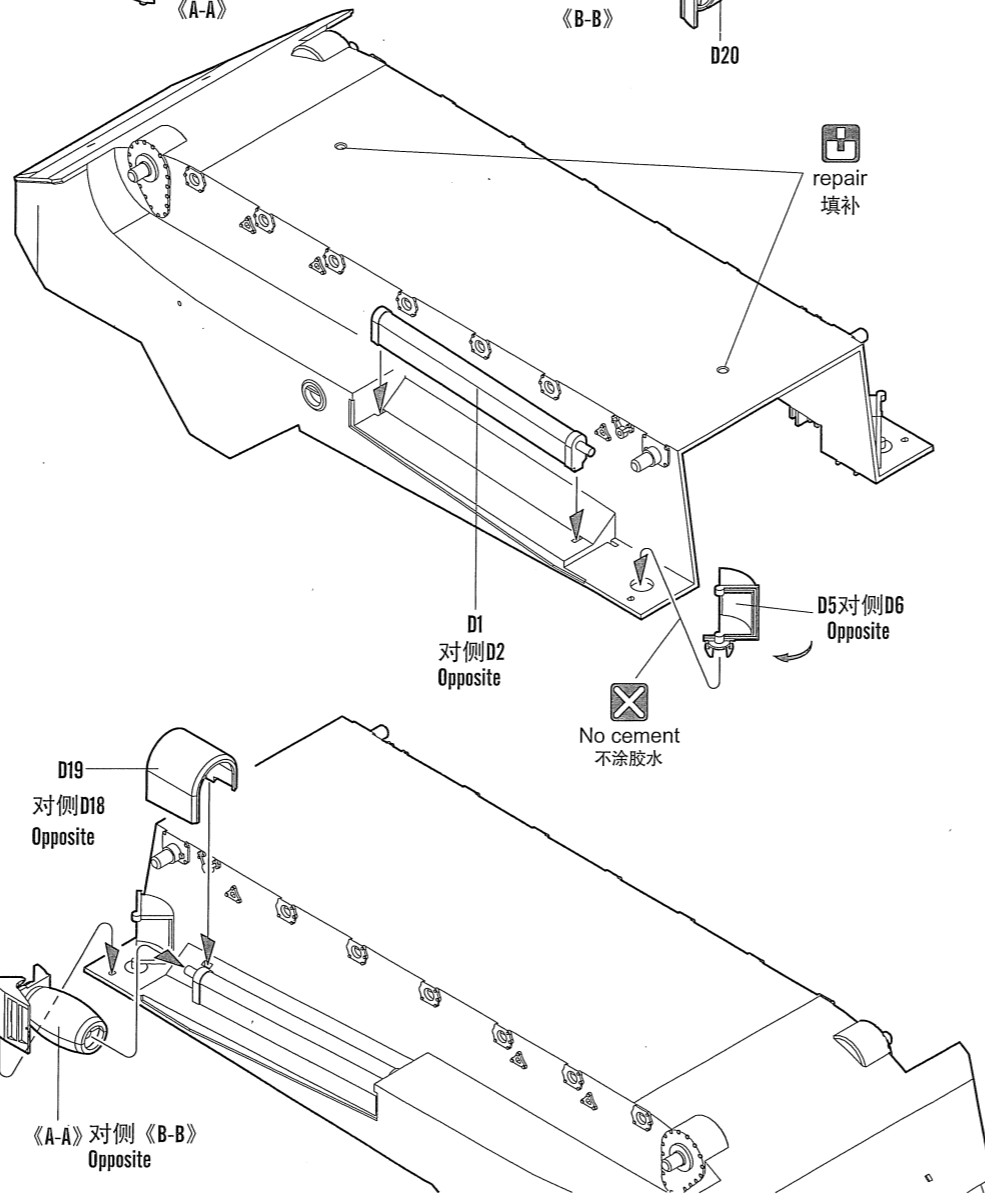
2 STEP



<A-A>

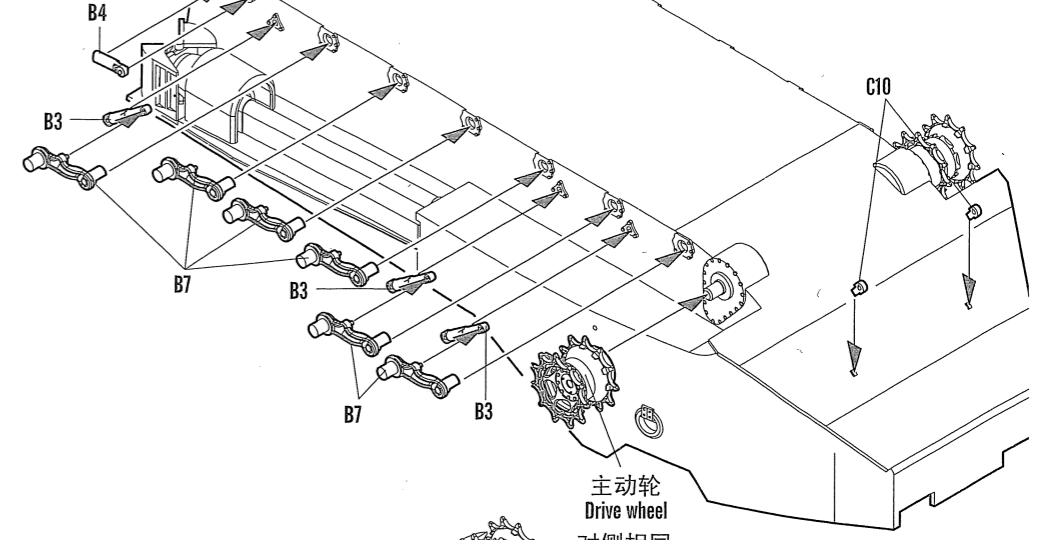


<B-B>

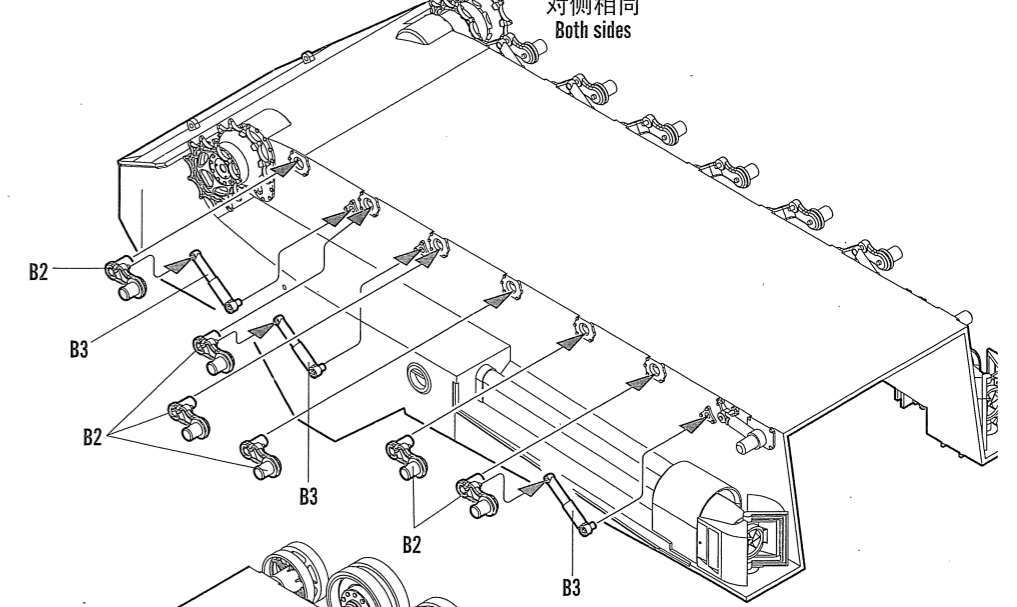


3 STEP

对侧相同
Both sides

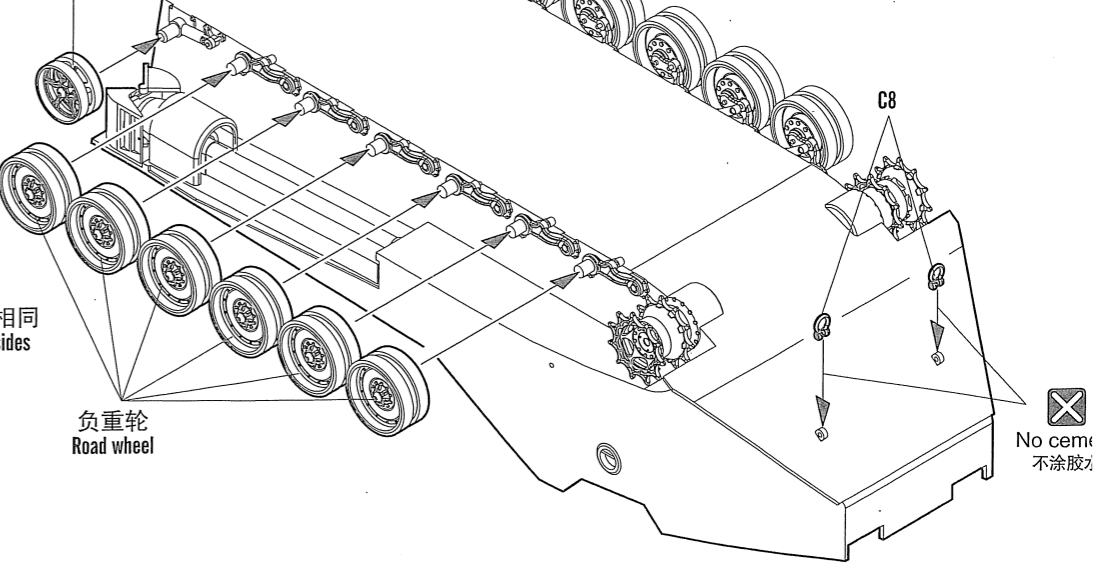


主动轮
Drive wheel
对侧相同
Both sides



对侧相同
Both sides

诱导轮
Idler wheel

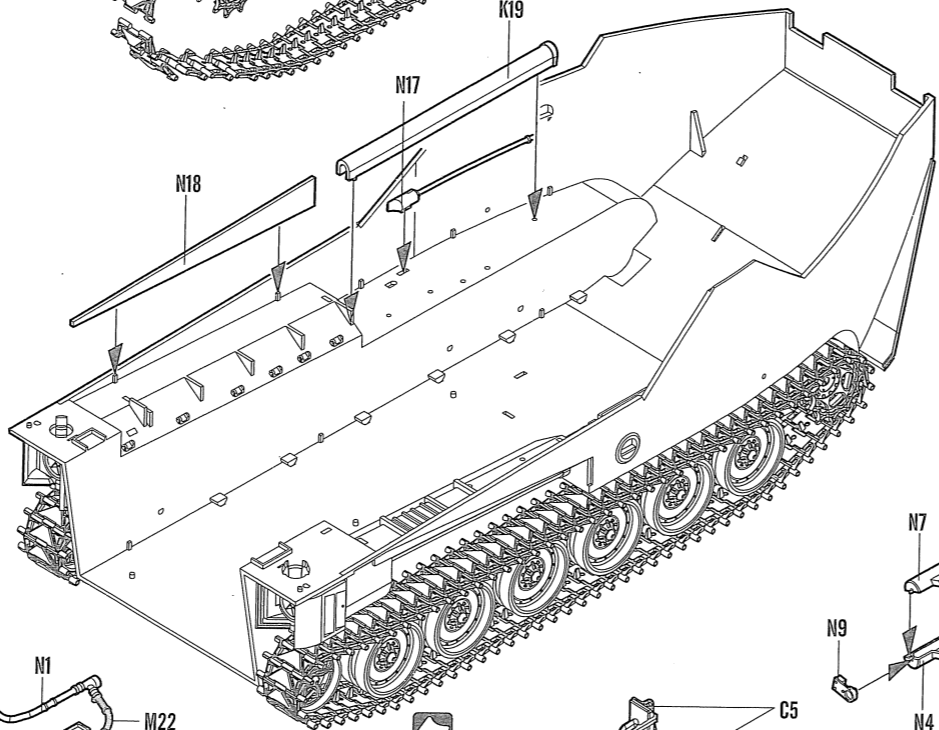
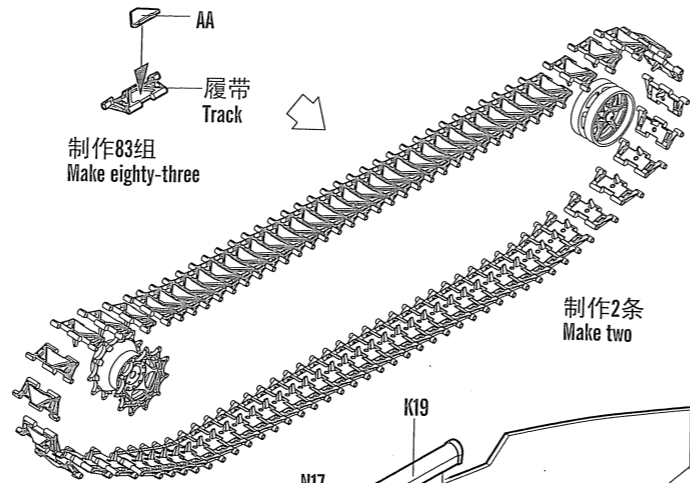


对侧相同
Both sides

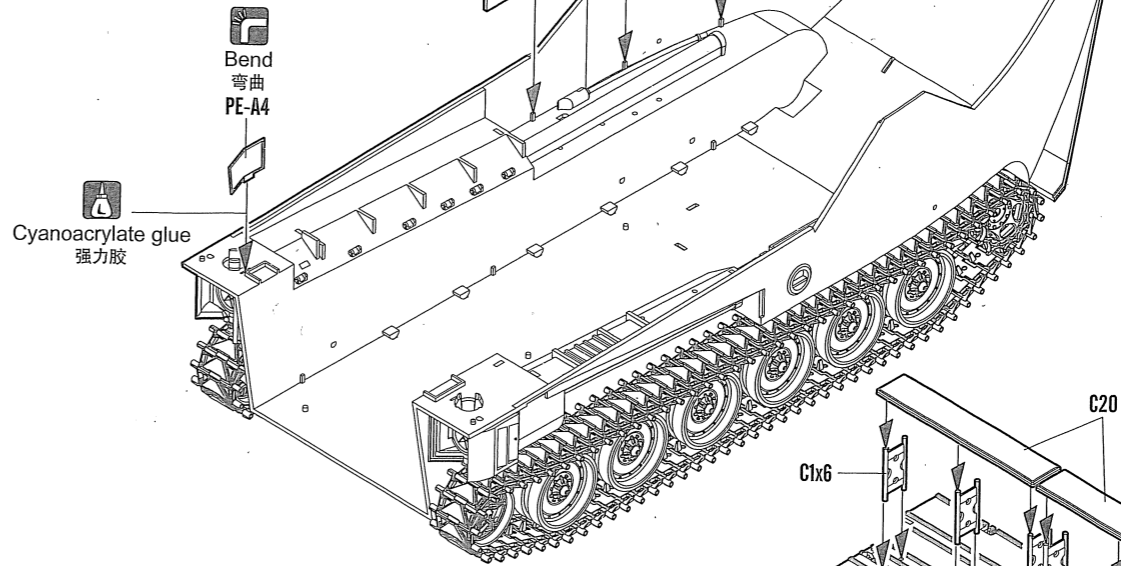
负重轮
Road wheel

No cement
不涂胶水

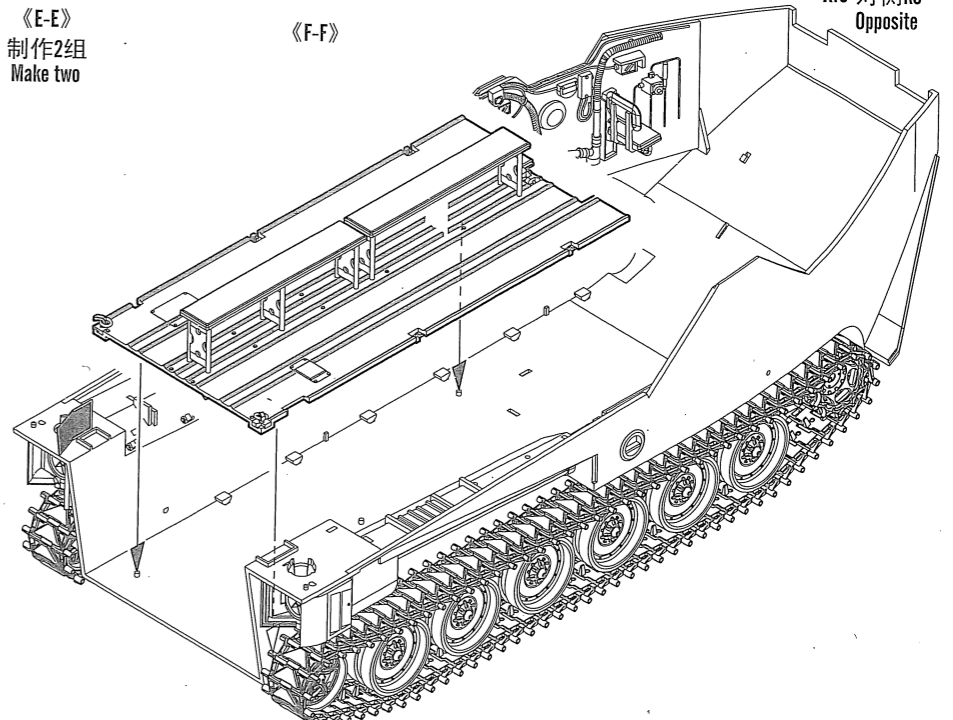
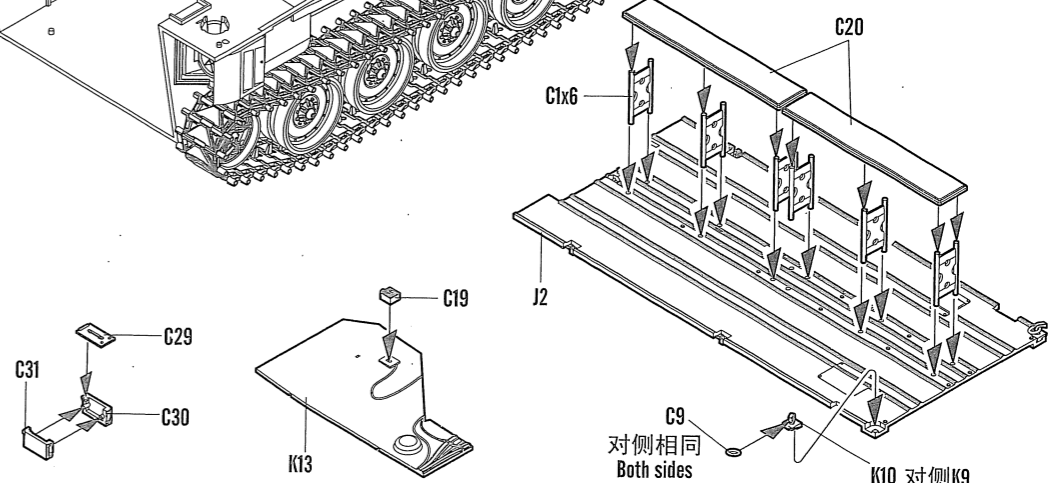
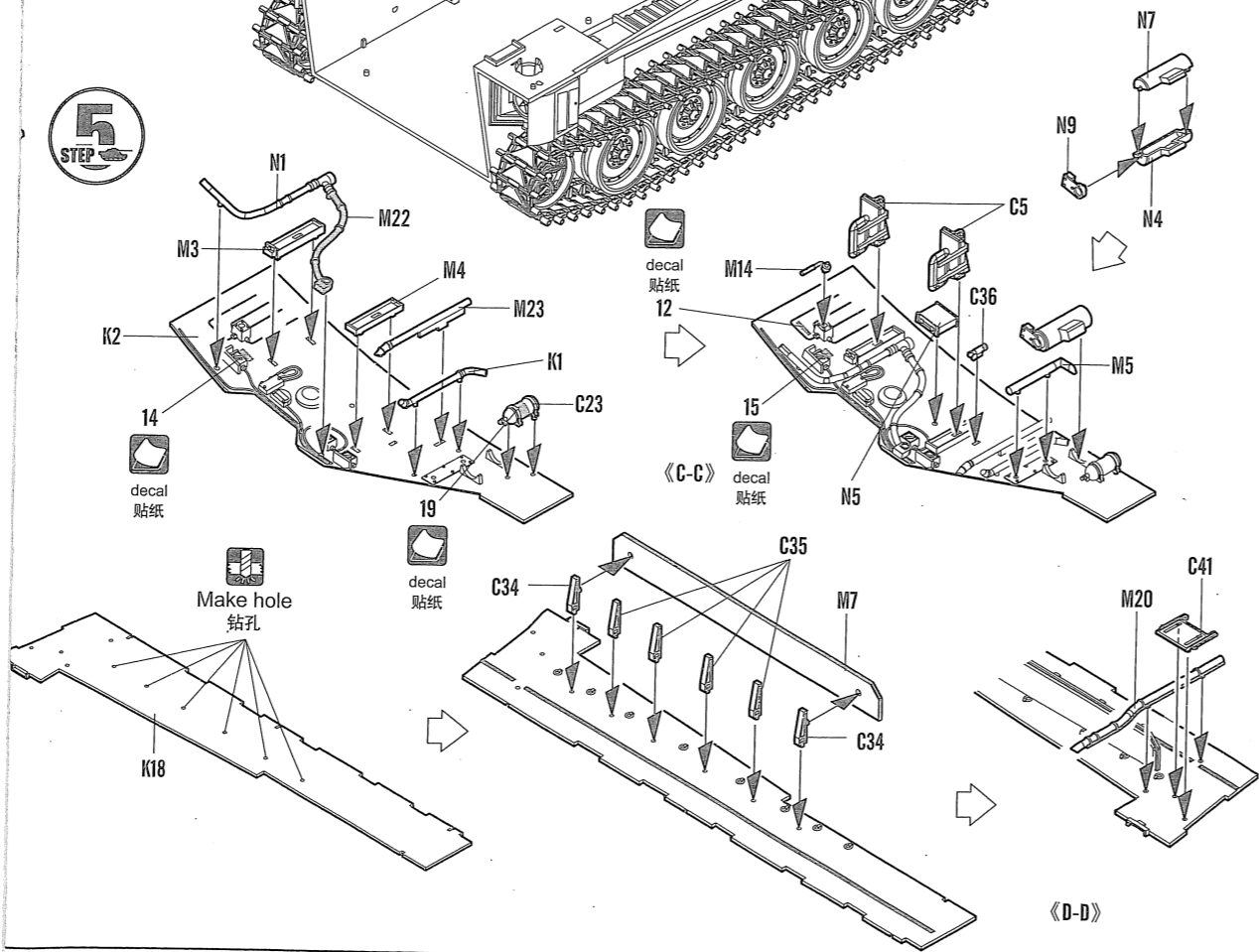
STEP 4



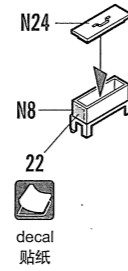
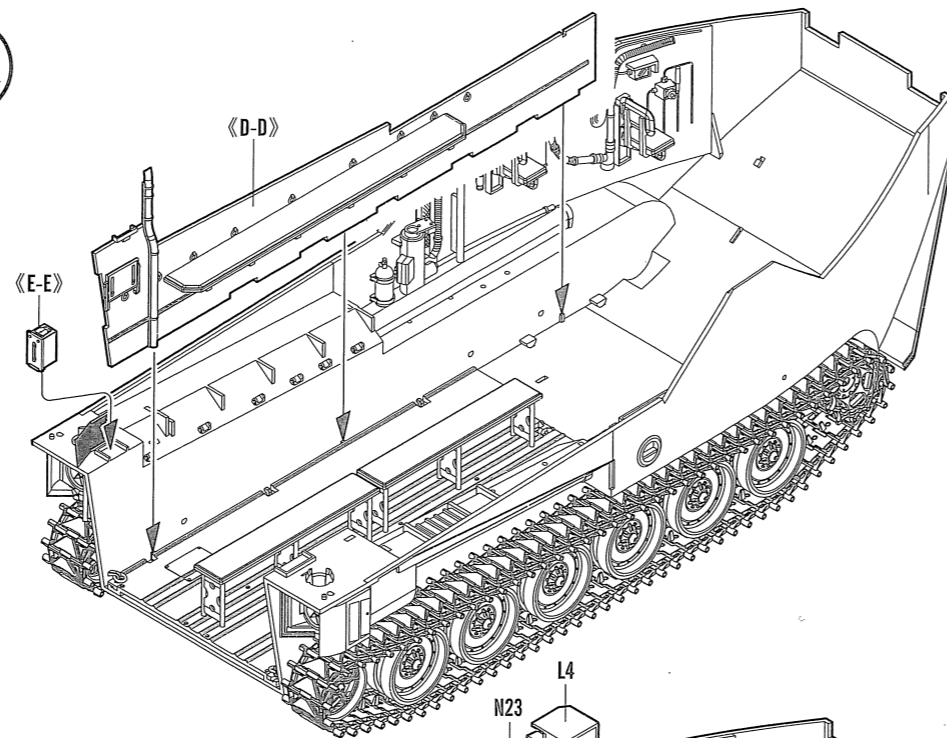
STEP 6



STEP 5



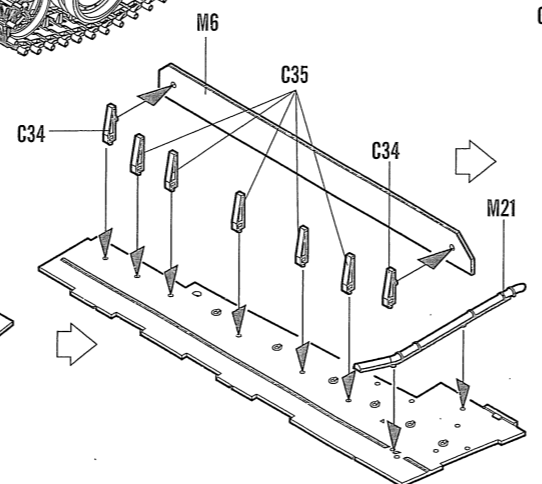
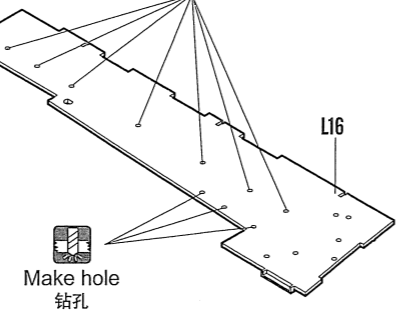
7 STEP



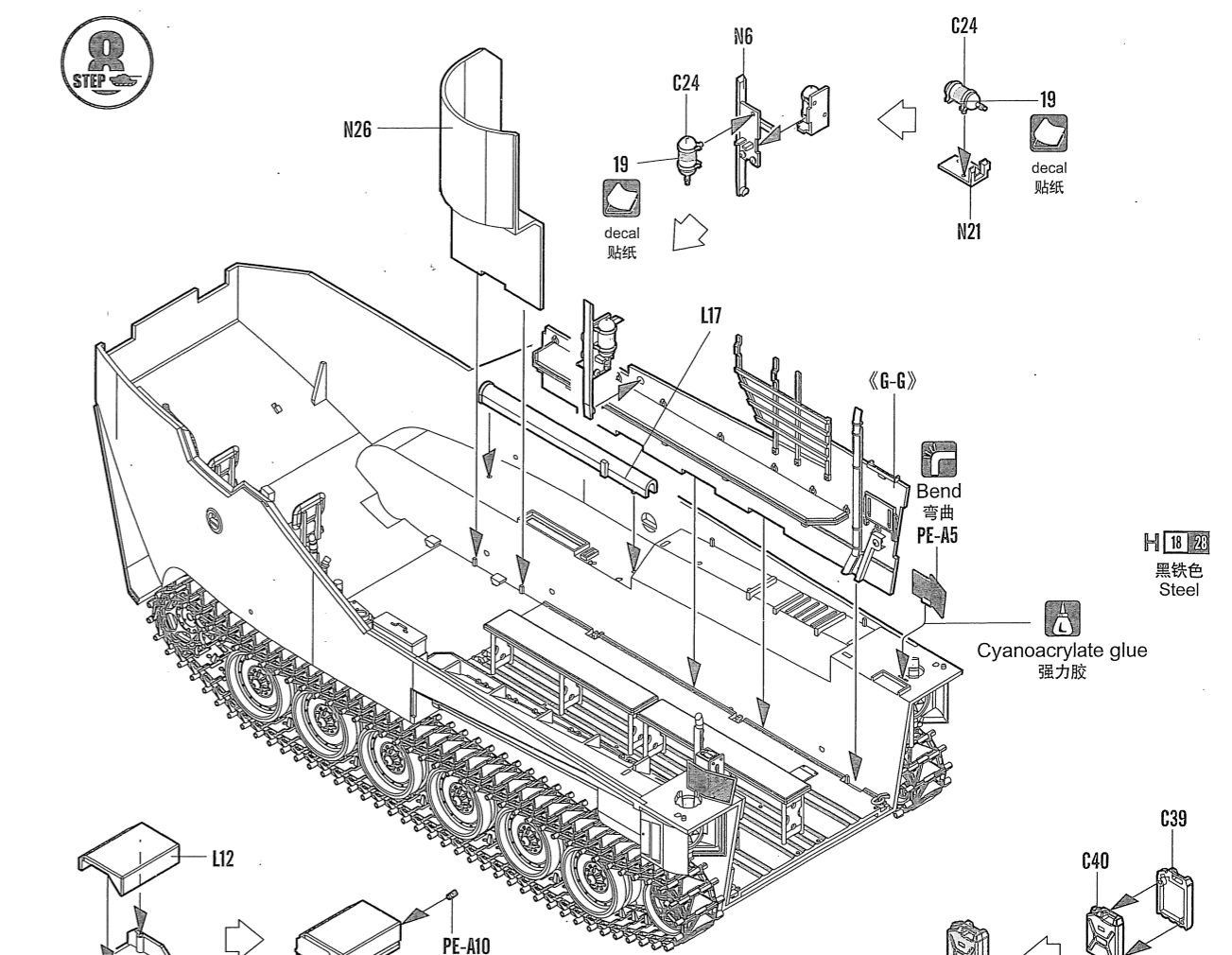
H 62 56
明灰白(2)
Aircraft Grey

H 37 43
木棕色
Wood Brown

Make hole
钻孔

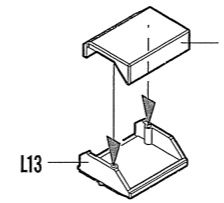


8 STEP



H 18 28
黑铁色
Steel

Cyanoacrylate glue
强力胶



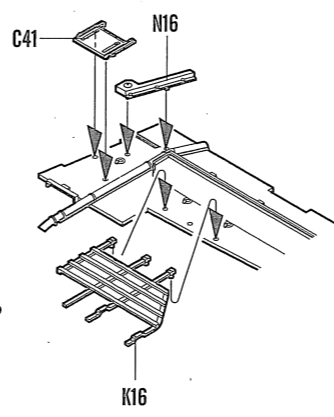
PE-A10
Bend
弯曲

PE-A10
Bend
弯曲

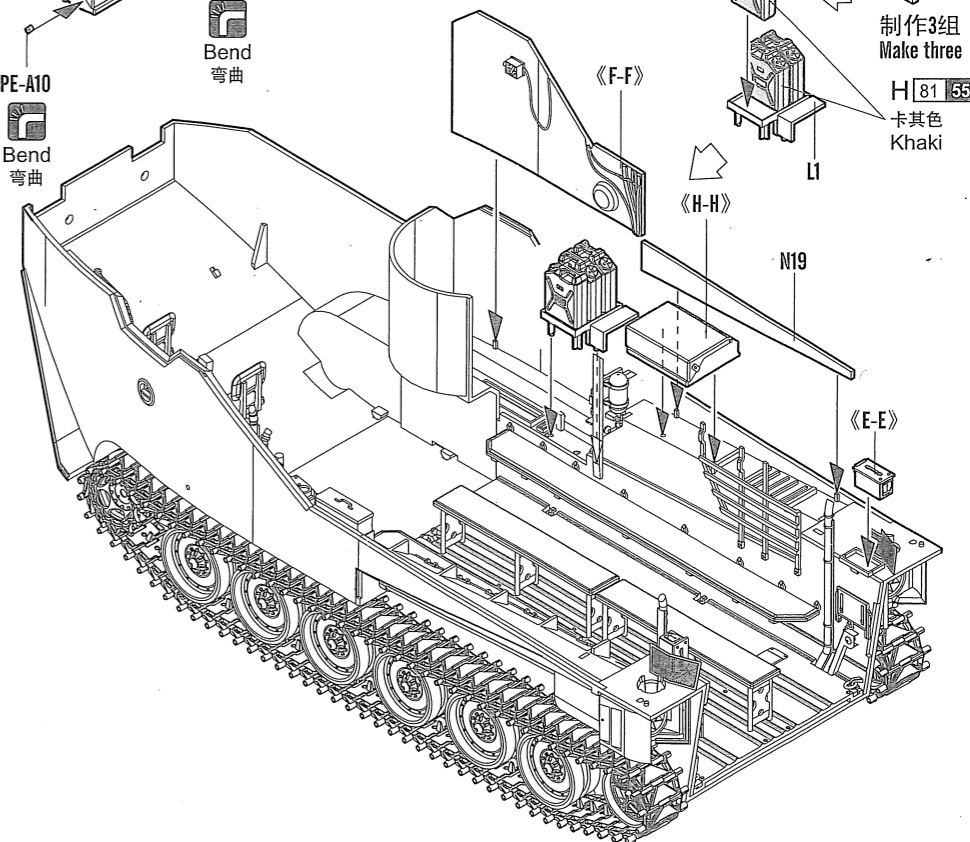
$\langle H-H \rangle$

C39
C40
制作3组
Make three

H 81 55
卡其色
Khaki

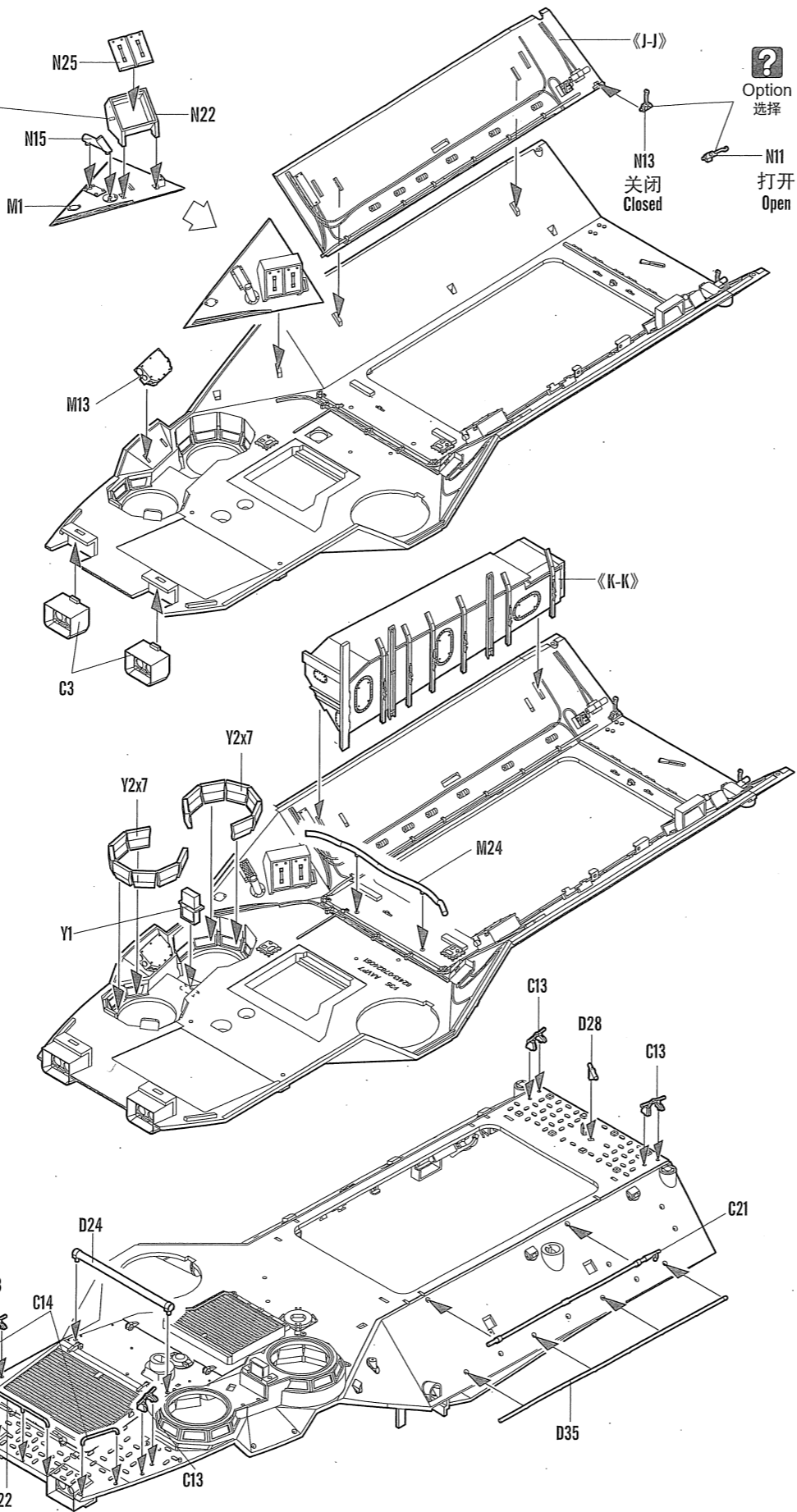


$\langle G-G \rangle$

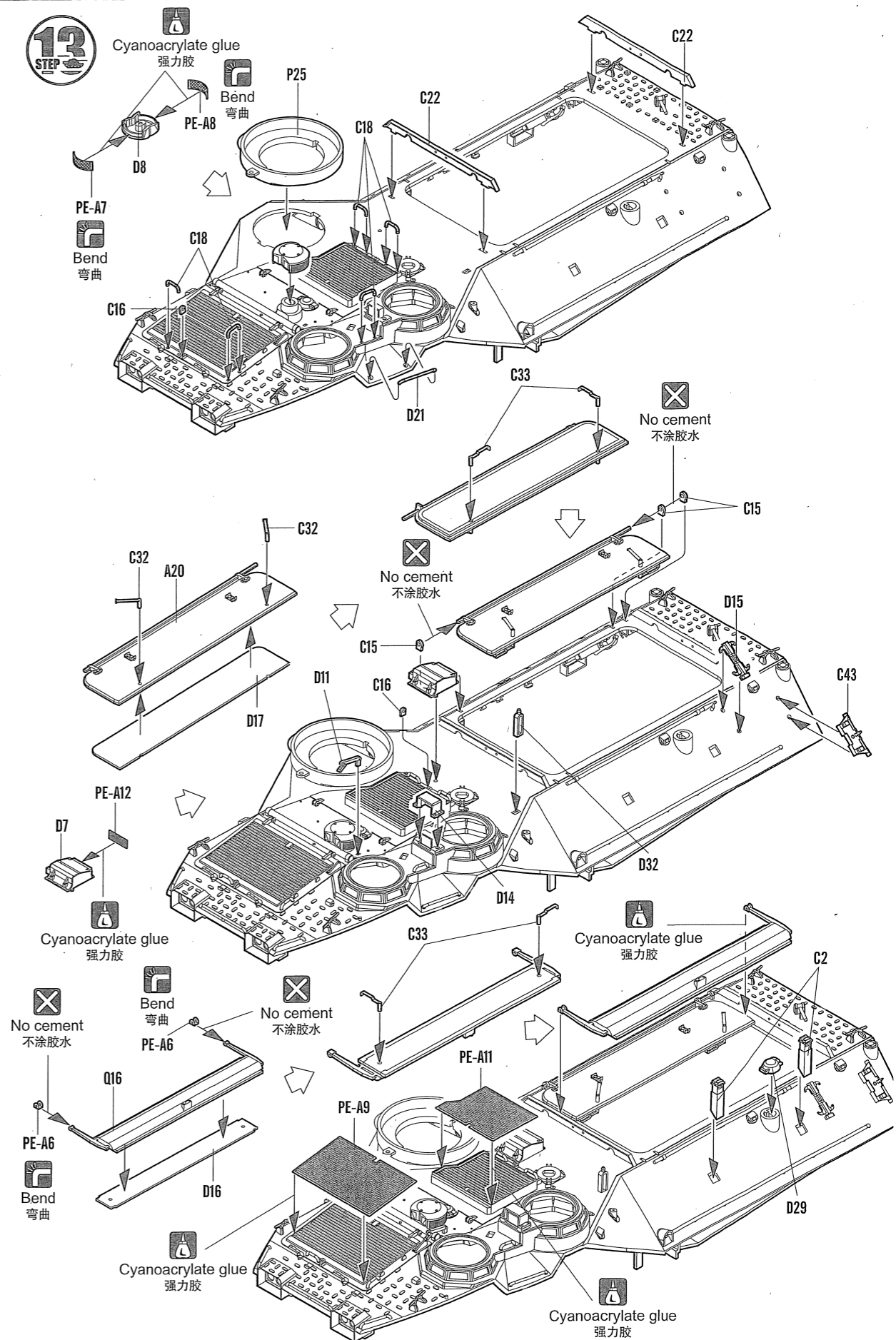


12
STEP

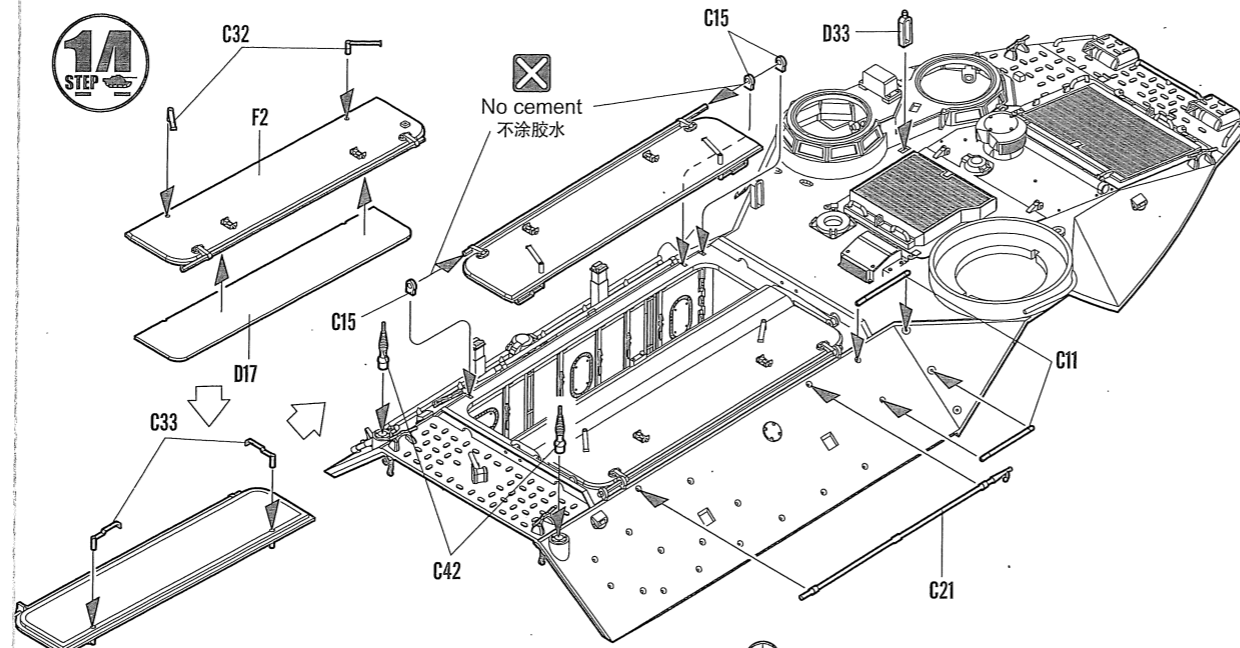
16
decal
贴纸



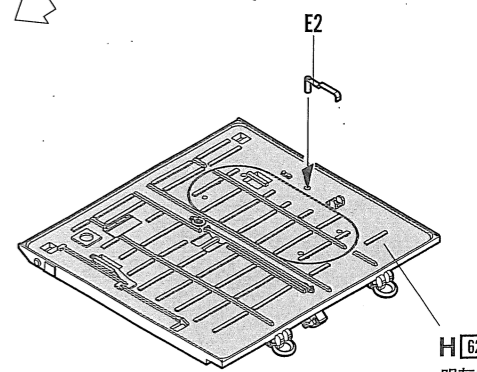
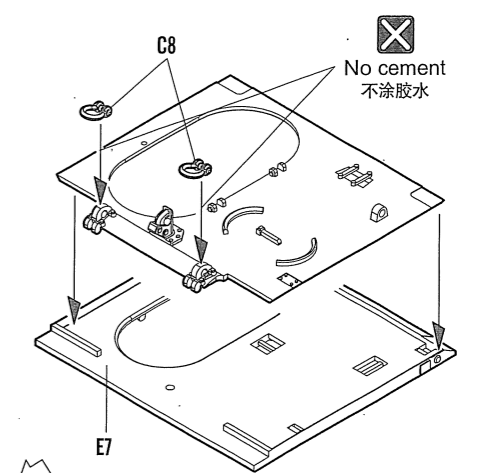
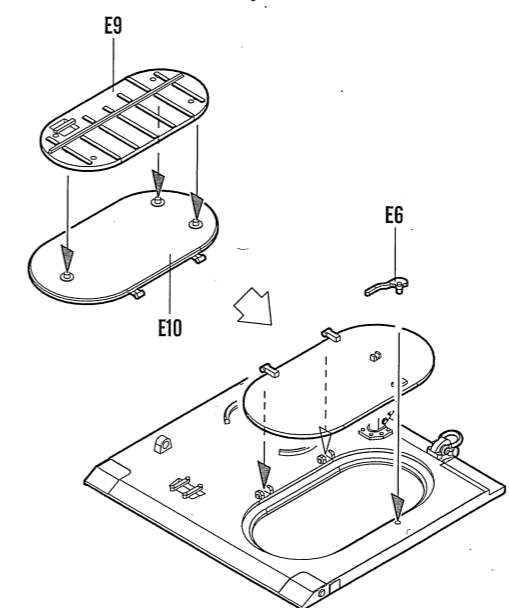
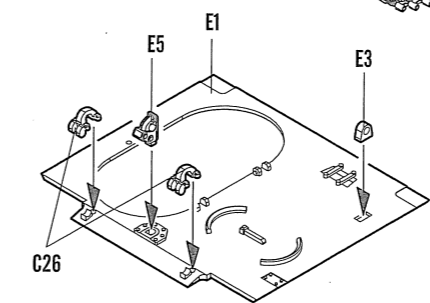
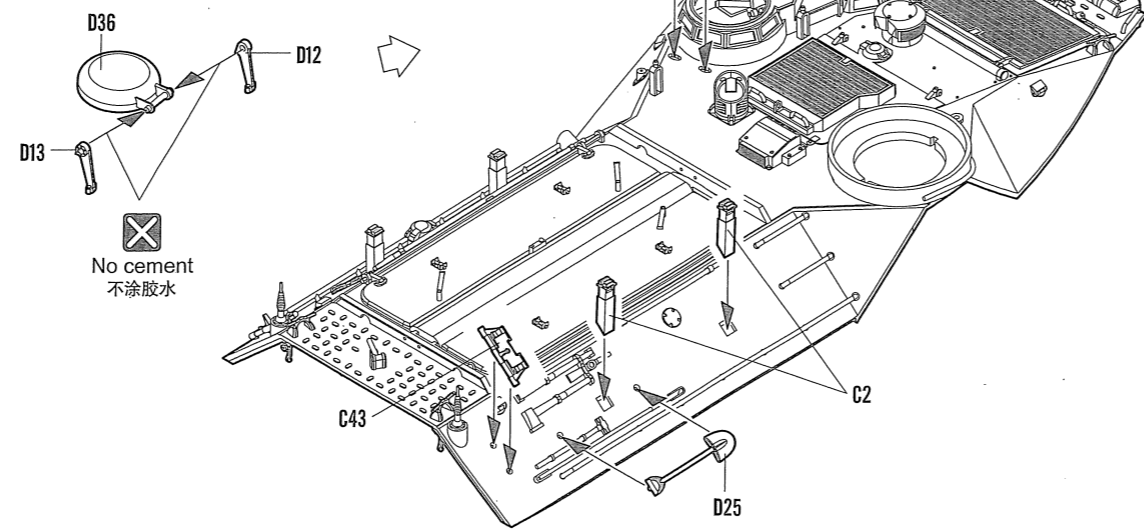
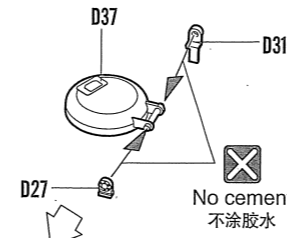
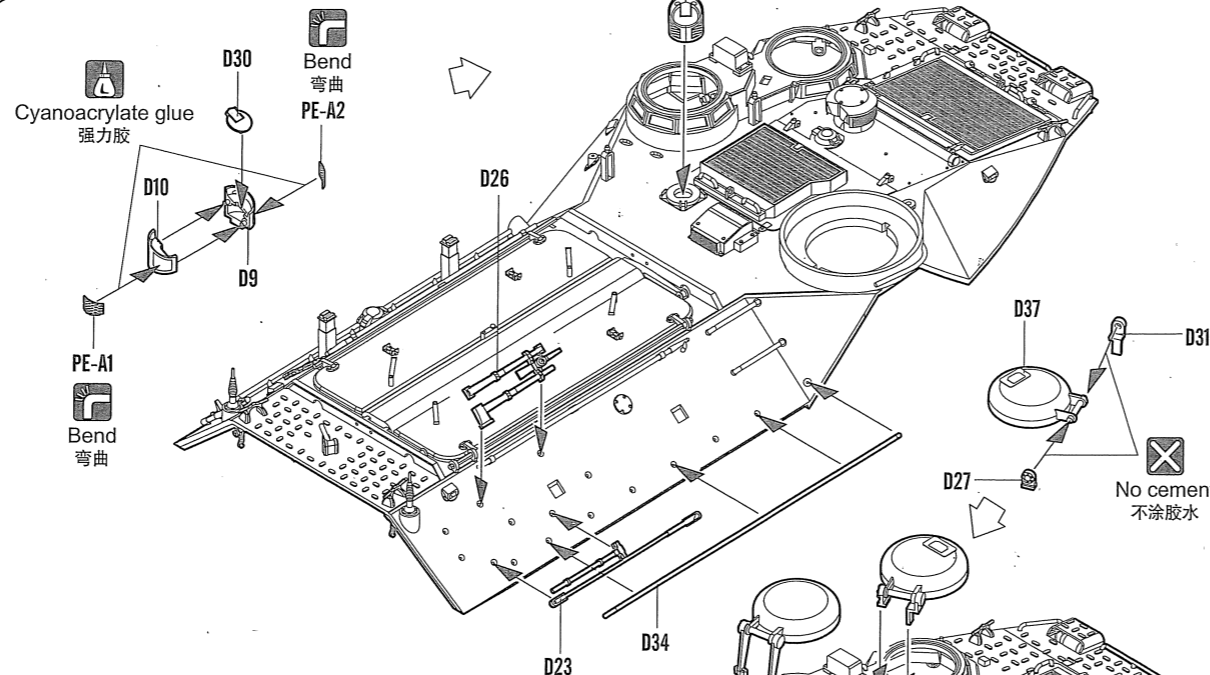
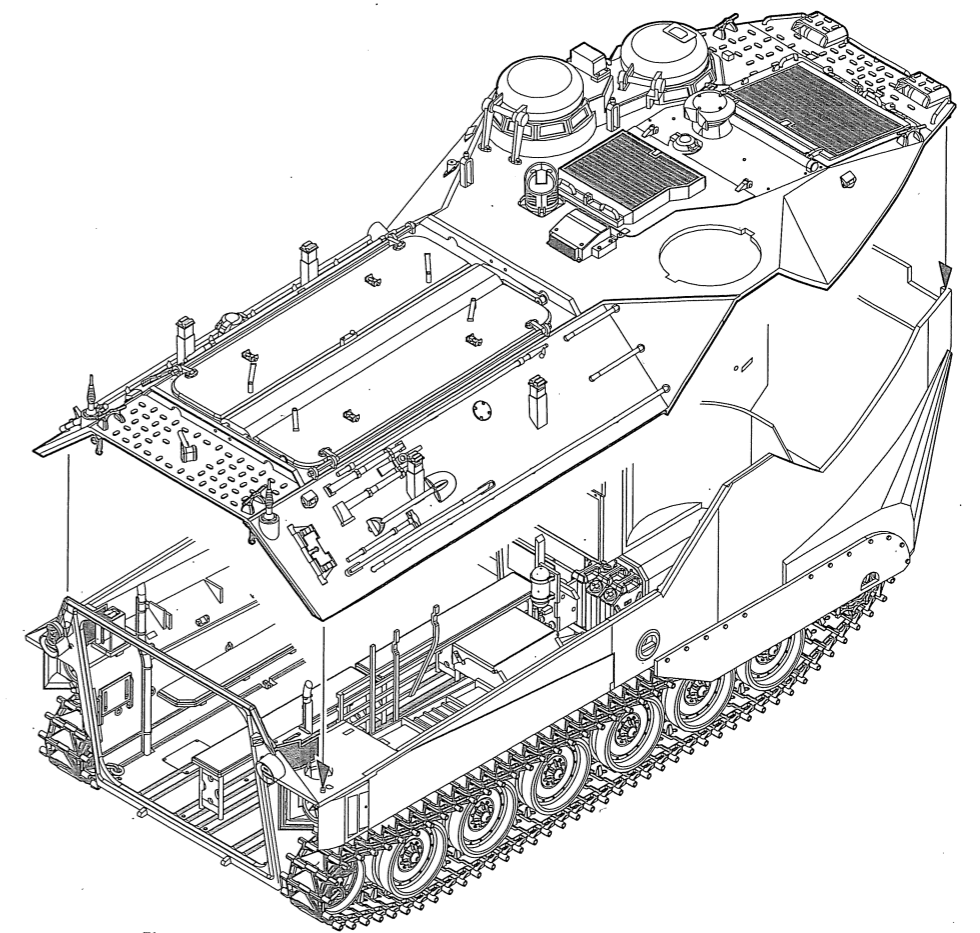
13
STEP



14
STEP

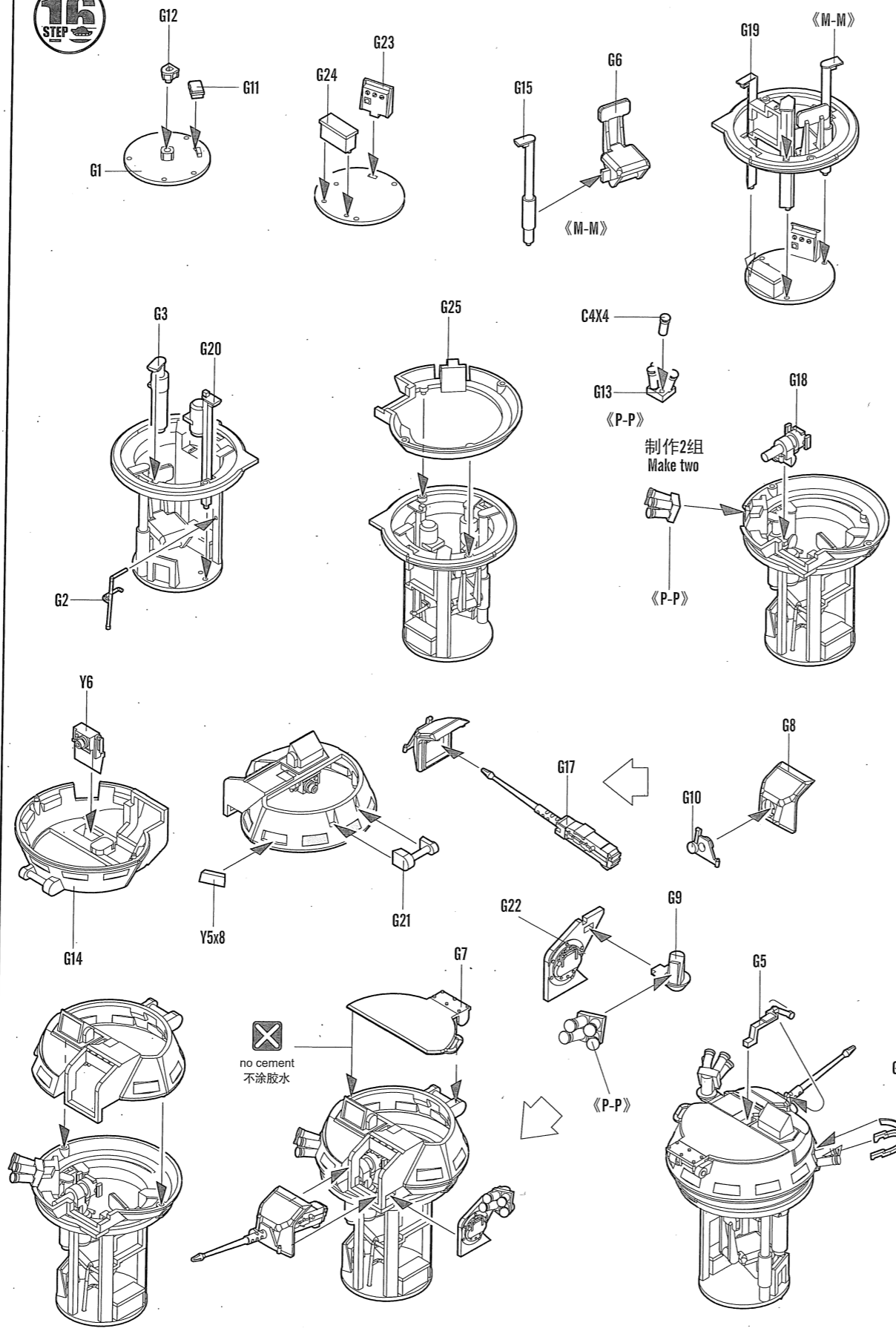


15
STEP



H 62 56
明灰白(2)
Aircraft Grey

16
STEP



17
STEP

