

USAF C-130J-30

"Super Hercules"

MINICRAFT
MODEL KITS

Plastic Model Kit Skill Level 2 14700

New! (*stretched*) Fuselage Tooling!

Includes 2 Marking Options!

USAF C-130J-30 463d Airlift Group
Little Rock AFB, AR, USA 2007

USAF C-130J-30 143d Air Wing
Rhode Island ANG, USA 2007

LOCKHEED MARTIN

LOCKHEED MARTIN, C-130J-30, associates emblems and logos and body designs of vehicles are either registered trademarks or trademarks of Lockheed Martin Corporation in the USA and/or other jurisdictions. Used under license by Minicraft Models (USA) LLC.

USAF C-130J-30[®]

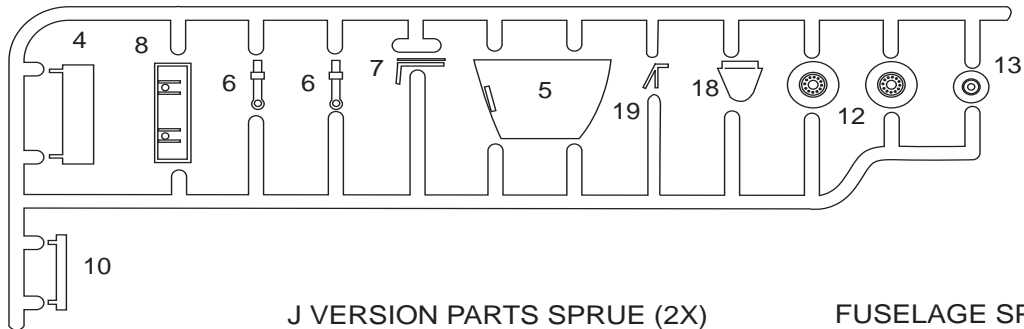
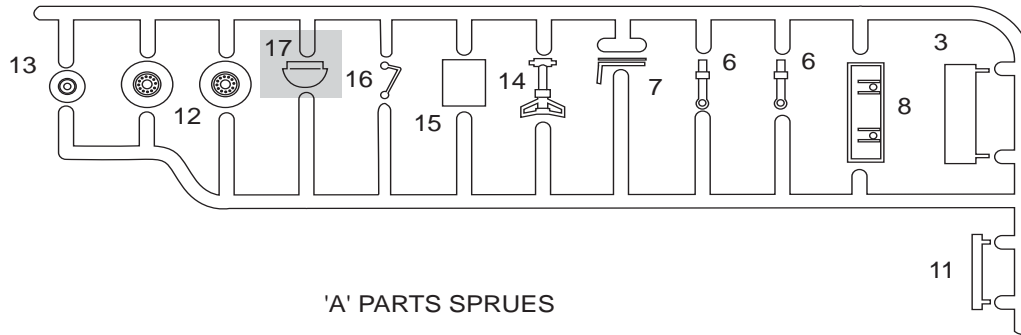
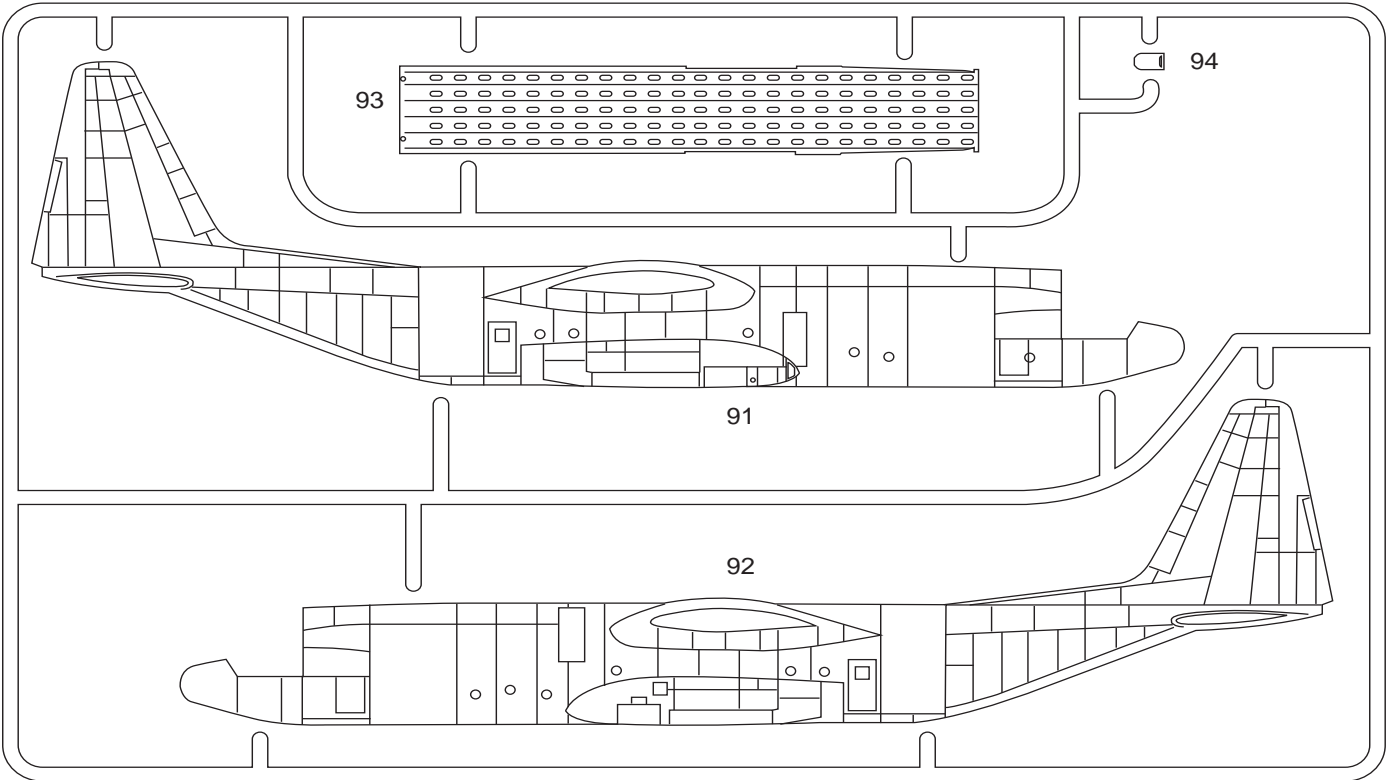
Super Hercules[®]

1:144
scale

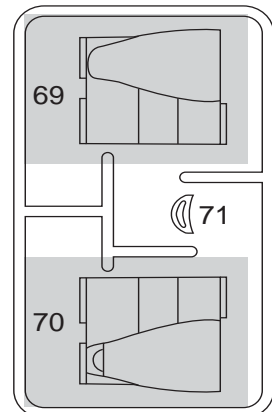
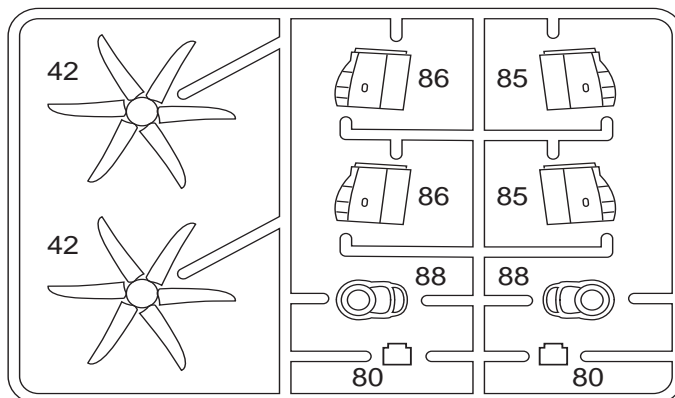
The C-130 has served the United States Air Force for over 50 years and it has undergone many changes to its engines and avionics. The super Hercules is the latest version featuring an extended fuselage and updated engines with 6- blade propellers. The new Minicraft C-130J-30 features new fuselage tooling representing the latest variant of the C-130. The kit also features new "J" engines, recessed panel lines, interior cargo bay and position-able rear door and up-dated engines with unique scimitar propeller design and 2 USAF markings.

USAF C130J-30, 463d Airlift Group, Little Rock AFB, AR, USA, 2007
USAF C130J-30, 143d Air Wing, Rhode Island ANG, 2007

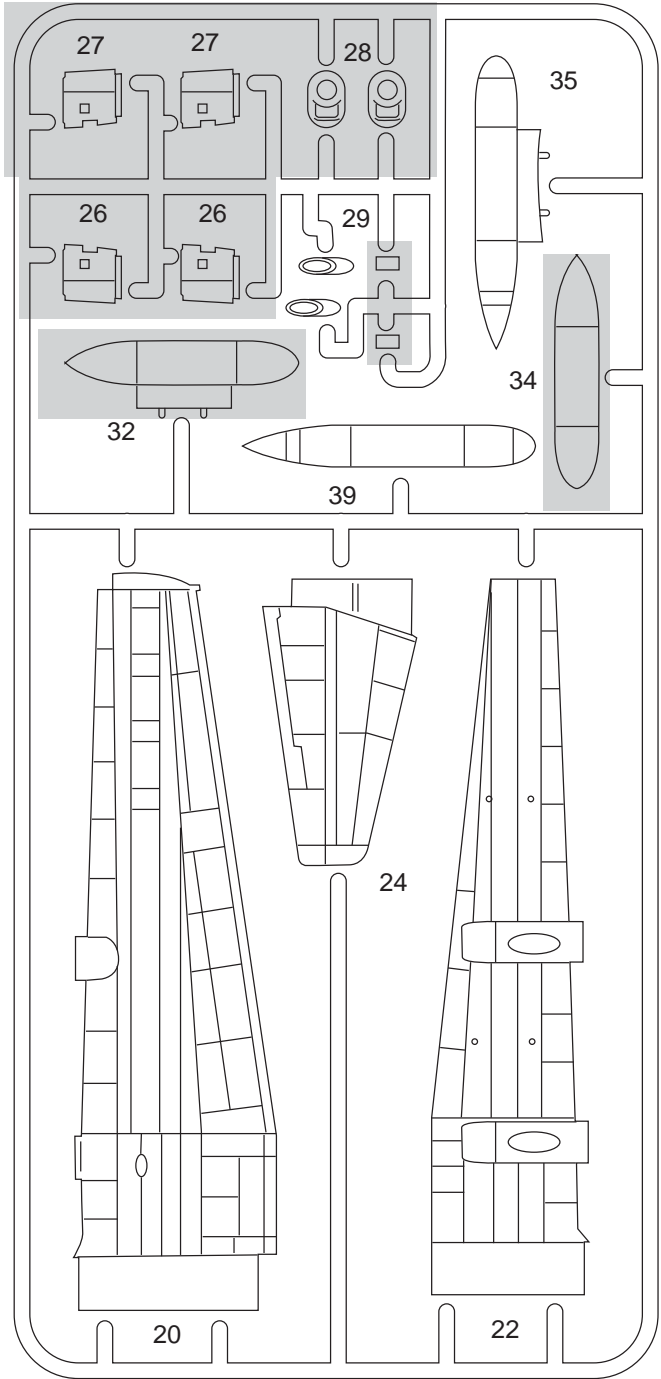
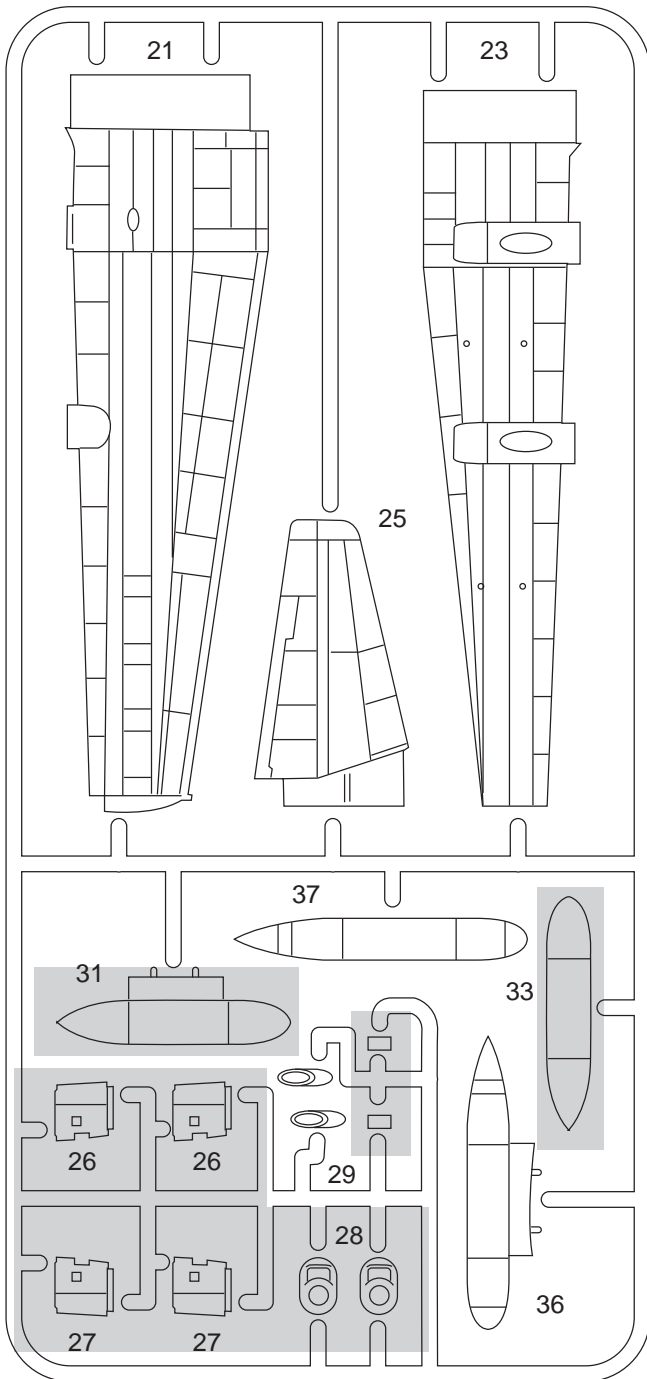
Minicraft Models (USA) LLC
2136 12th St. Rockford, IL. 61104
www.minicraftmodels.com



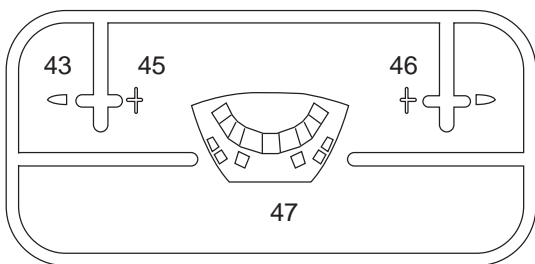
FUSELAGE SPONSON SPRUE



'B' WING / ENGINE / TANK PARTS SPRUE

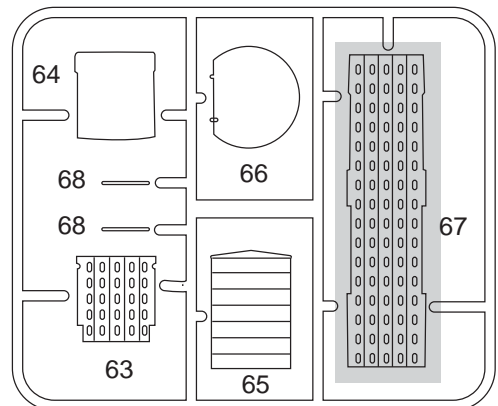


'C' CLEAR PARTS SPRUE



NOTE
Parts shown in Gray
are not for use

INTERIOR PARTS SPRUE





Cement
Coller
Kleben
Pegar
Incollare
Colar
Kleven



DO NOT Cement
Ne pas Coller
Nicht Kleben
No Pegar
Non Incollare
Nao Colar
Niet Kleven



Cut away
Couper
Scheiden
Cortar
Tagliere
Cortar
Snijden



Optional parts
Choix
Auswahlmöglichkeit
Eleccion
Scelta
Opaco
Keuze



3

Repeat operation
Répéter l'opération
Vorgang wiederholen
Repitir la operacion
Ripetere
Repitir a operação
Herhalen



Symmetrical assembly

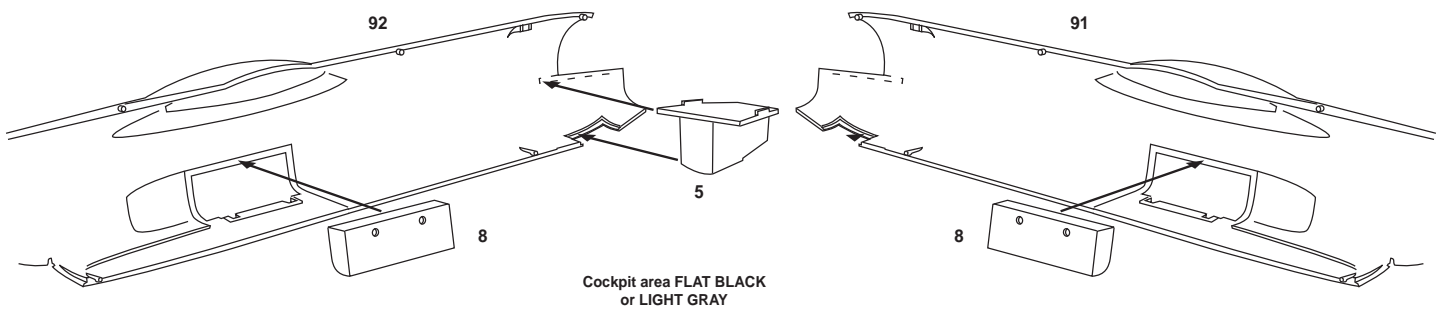


Drill hole

1 WHEEL WELLS



All Parts

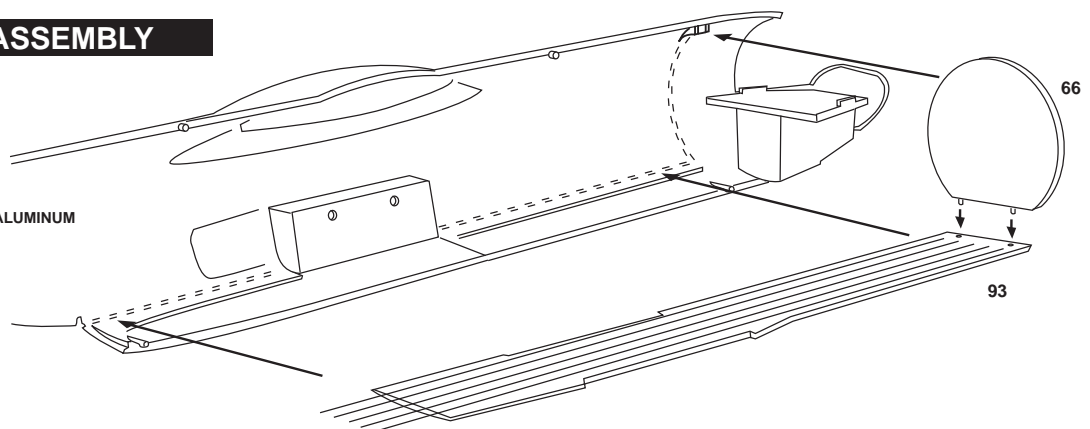


2 INTERIOR ASSEMBLY



All Parts

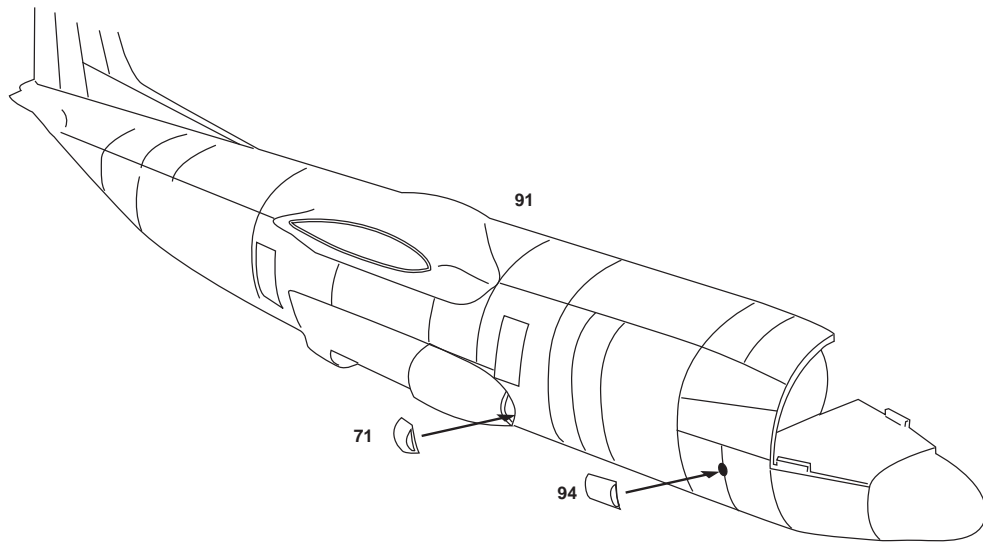
Interior parts LIGHT GRAY or FLAT ALUMINUM



3 RIGHT FUSELAGE AIR INTAKES



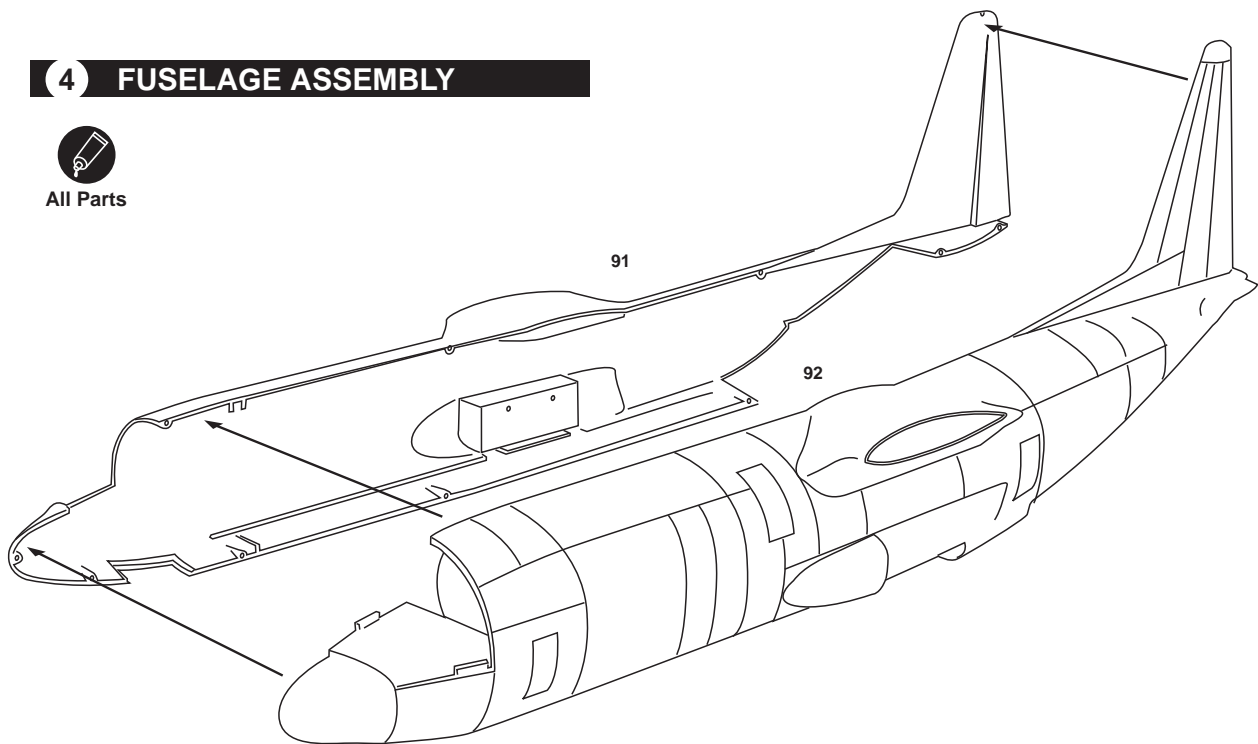
All Parts



4 FUSELAGE ASSEMBLY



All Parts



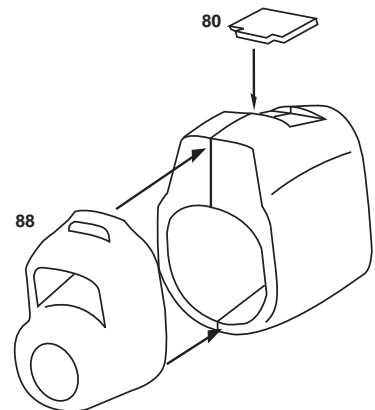
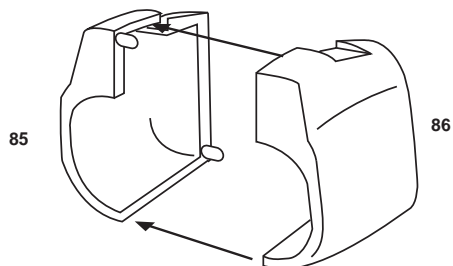
5 NACELLE ASSEMBLY



All Parts



4

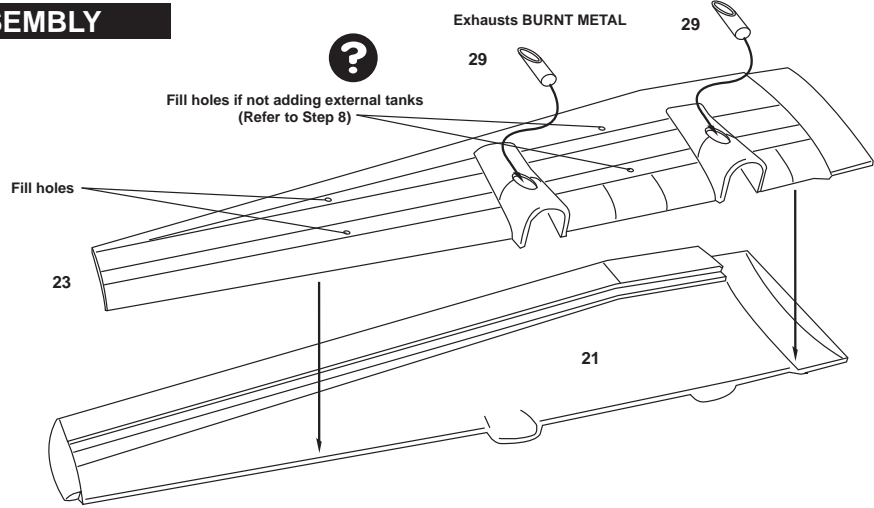


NOTE - Parts are shown upside down for clarity.

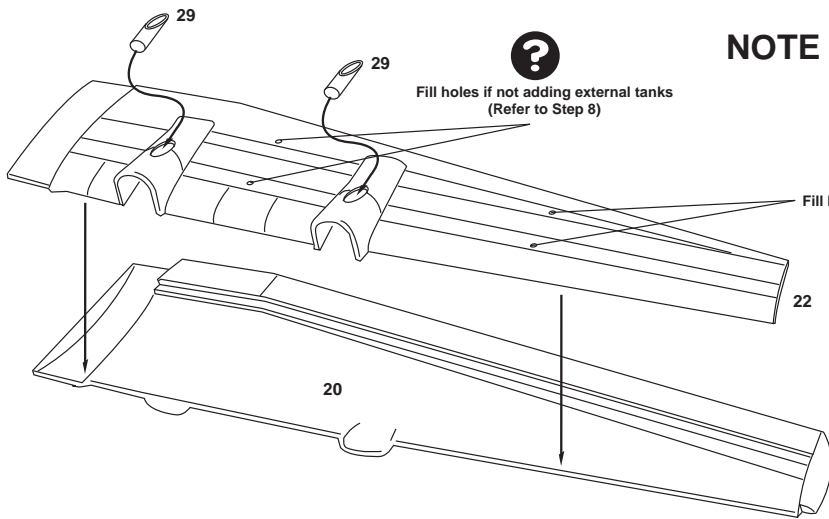
6 WING / EXHAUST ASSEMBLY



LEFT WING



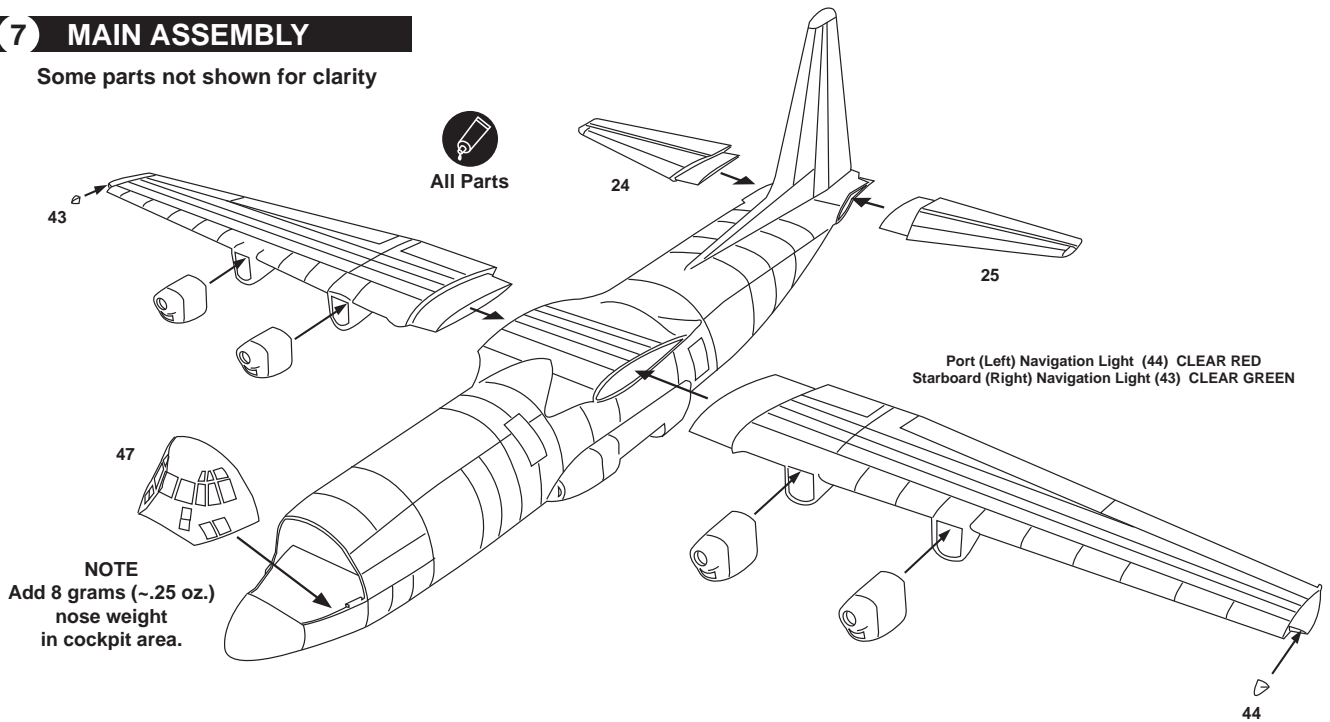
NOTE - Parts are shown upside down.



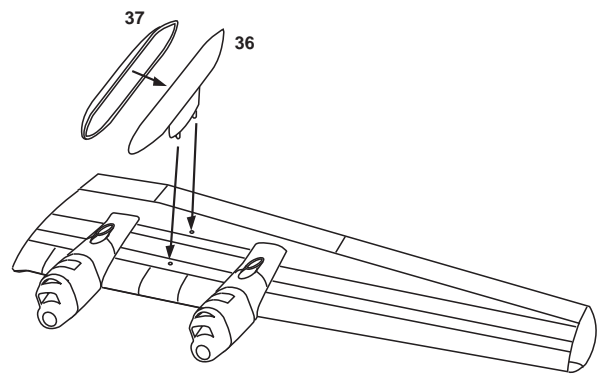
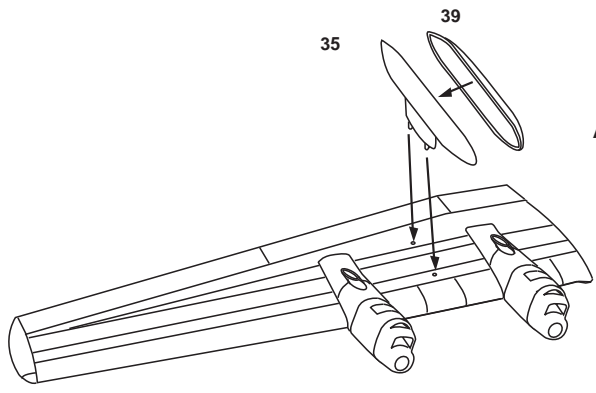
RIGHT WING

7 MAIN ASSEMBLY

Some parts not shown for clarity



8 EXTERNAL FUEL TANKS

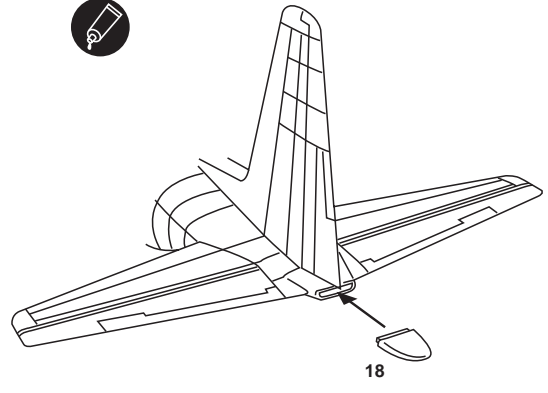


LEFT WING

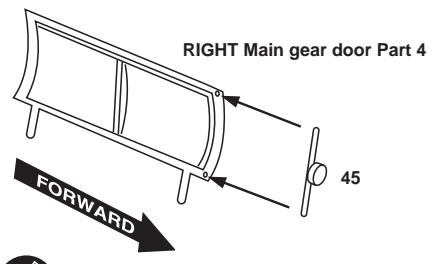
NOTE - Parts are shown upside down.

RIGHT WING

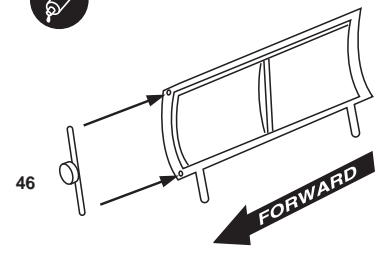
9 BEAVER TAIL



10 LANDING LIGHTS



RIGHT Main gear door Part 4

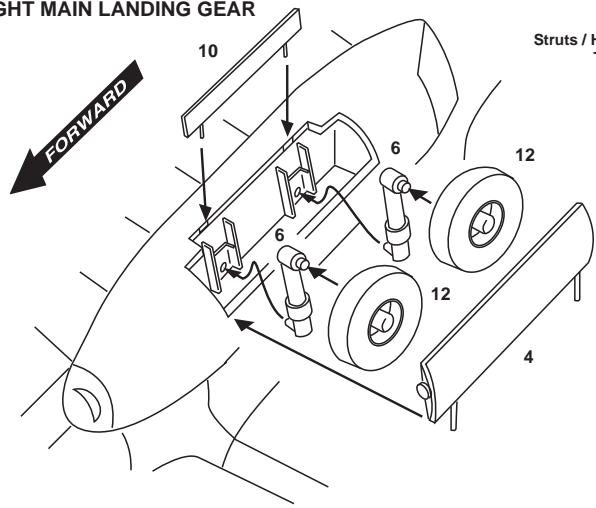


LEFT Main gear door Part 3

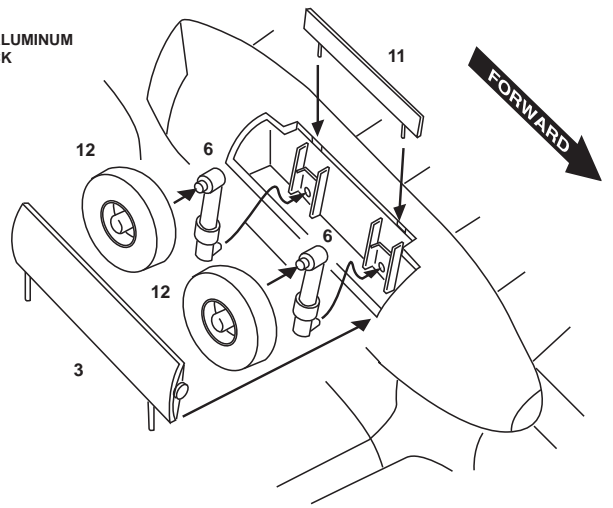
11 MAIN LANDING GEAR

RIGHT MAIN LANDING GEAR

Struts / Hubs / Interiors ALUMINUM
Tires FLAT BLACK



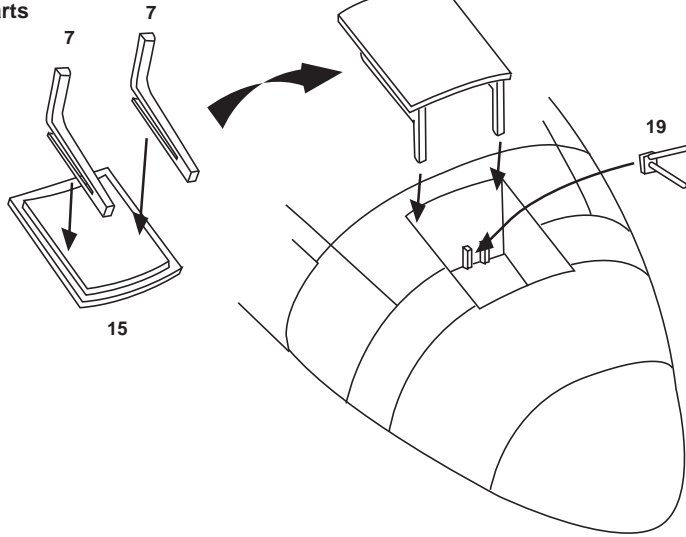
LEFT MAIN LANDING GEAR



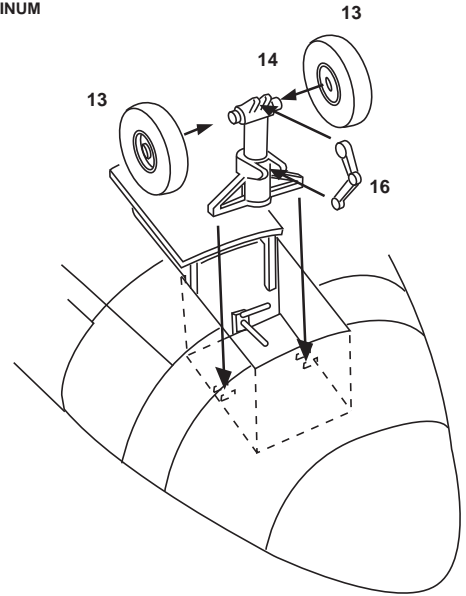
12 NOSE LANDING GEAR



All Parts



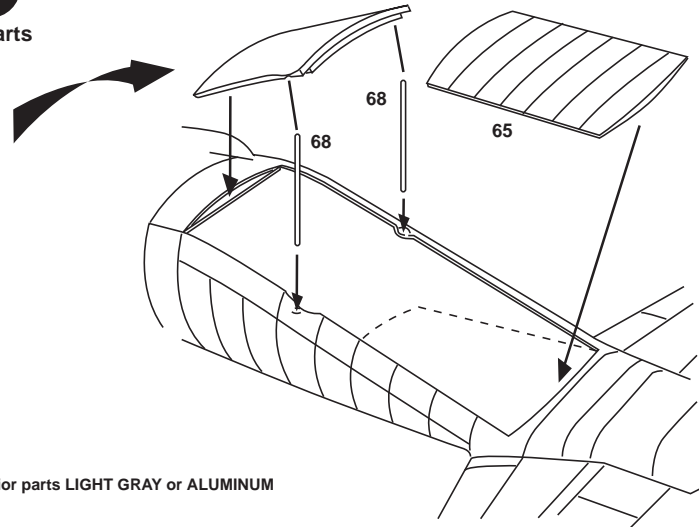
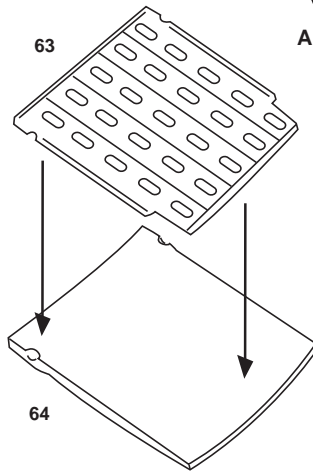
Strut / Hubs / Interior ALUMINUM
Wheels FLAT BLACK



13 CARGO HATCH



All Parts



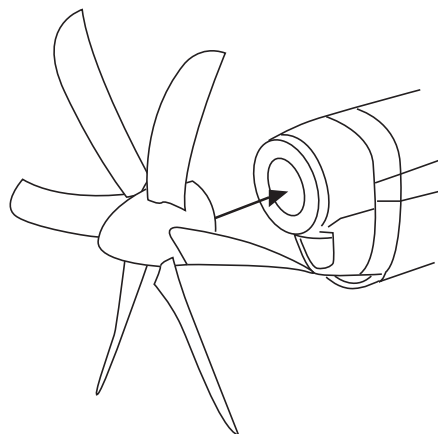
Interior parts LIGHT GRAY or ALUMINUM

14 PROPELLERS



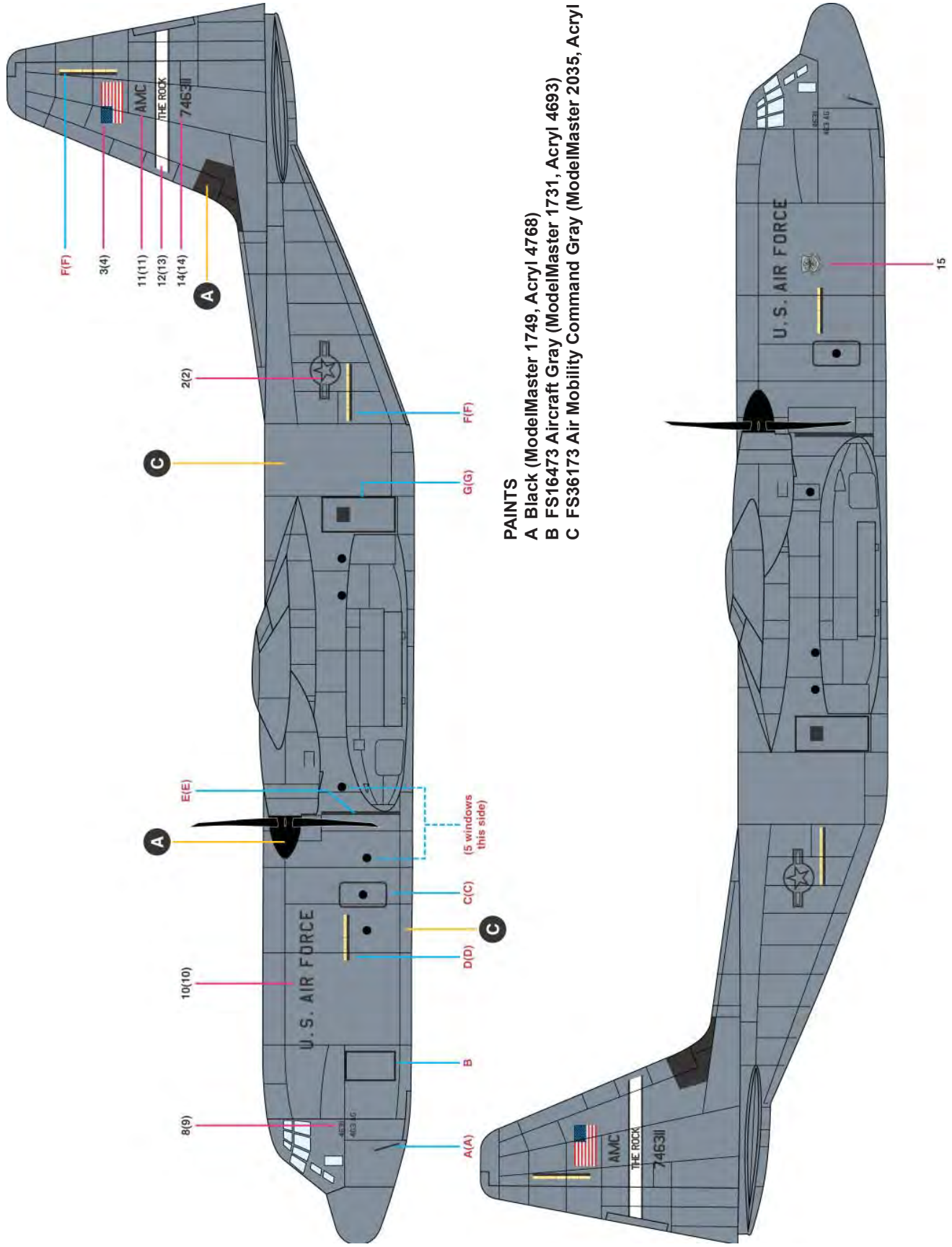
Hub / Blades FLAT BLACK

42 (4)



All Parts

USAF C130J-30, 463d Airlift Group, Little Rock AFB, AR, USA, 2007

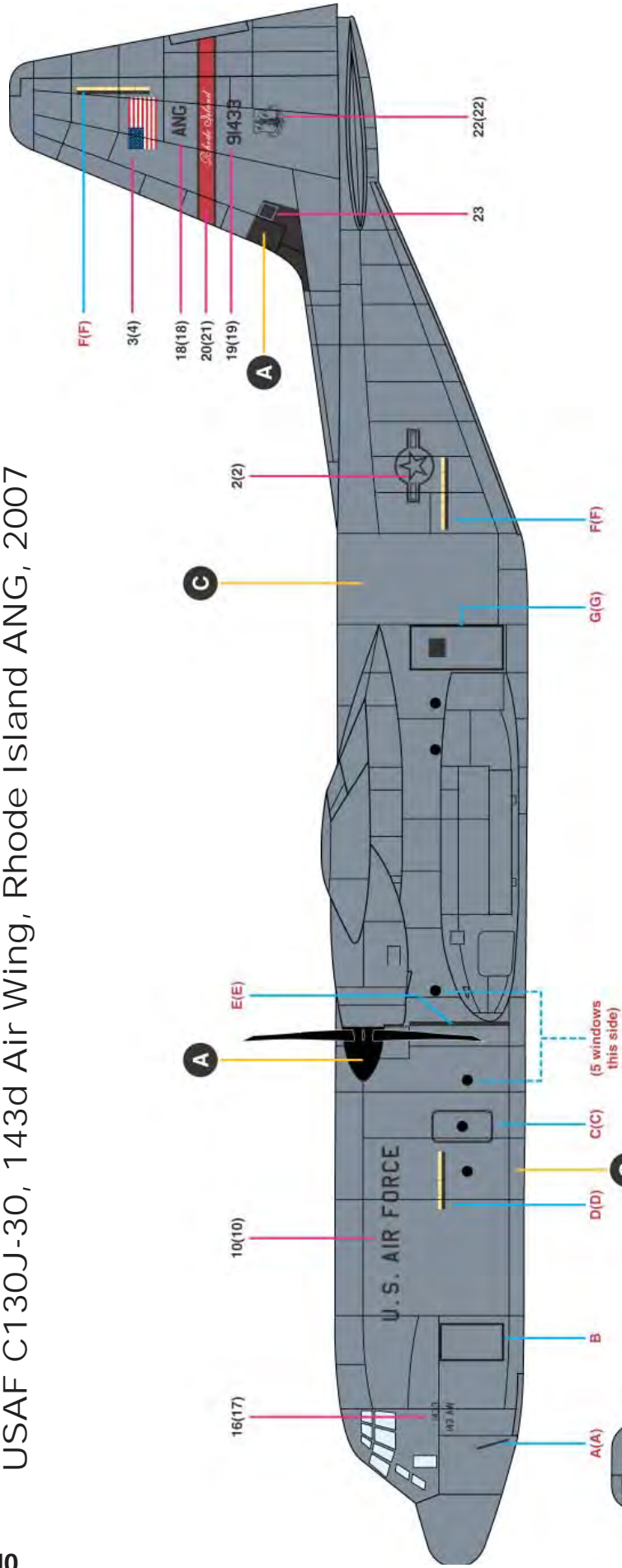


PAINTS

A Black (ModelMaster 1749, Acryl 4768)

B FS16473 Aircraft Gray (ModelMaster 1731, Acryl 4693)

C FS36173 Air Mobility Command Gray (ModelMaster 2035, Acryl 4754)

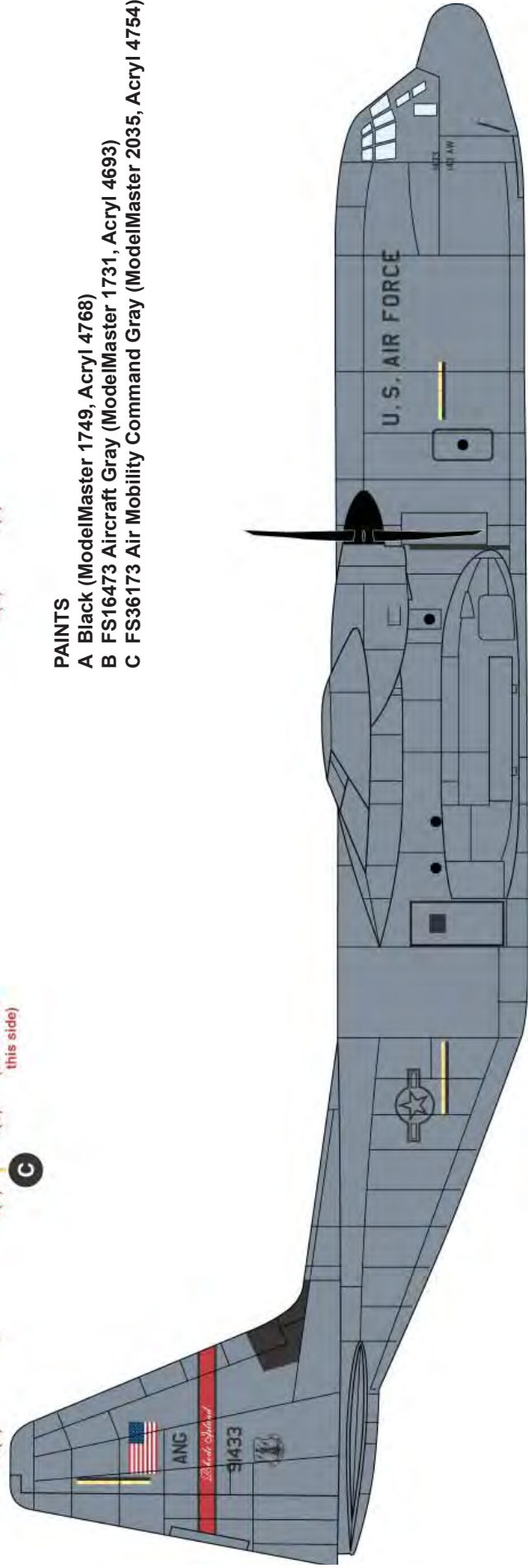


PAINTS

A Black (ModelMaster 1749, Acryl 4768)

B FS16473 Aircraft Gray (ModelMaster 1731, Acryl 4693)

C FS36173 Air Mobility Command Gray (ModelMaster 2035, Acryl 4754)

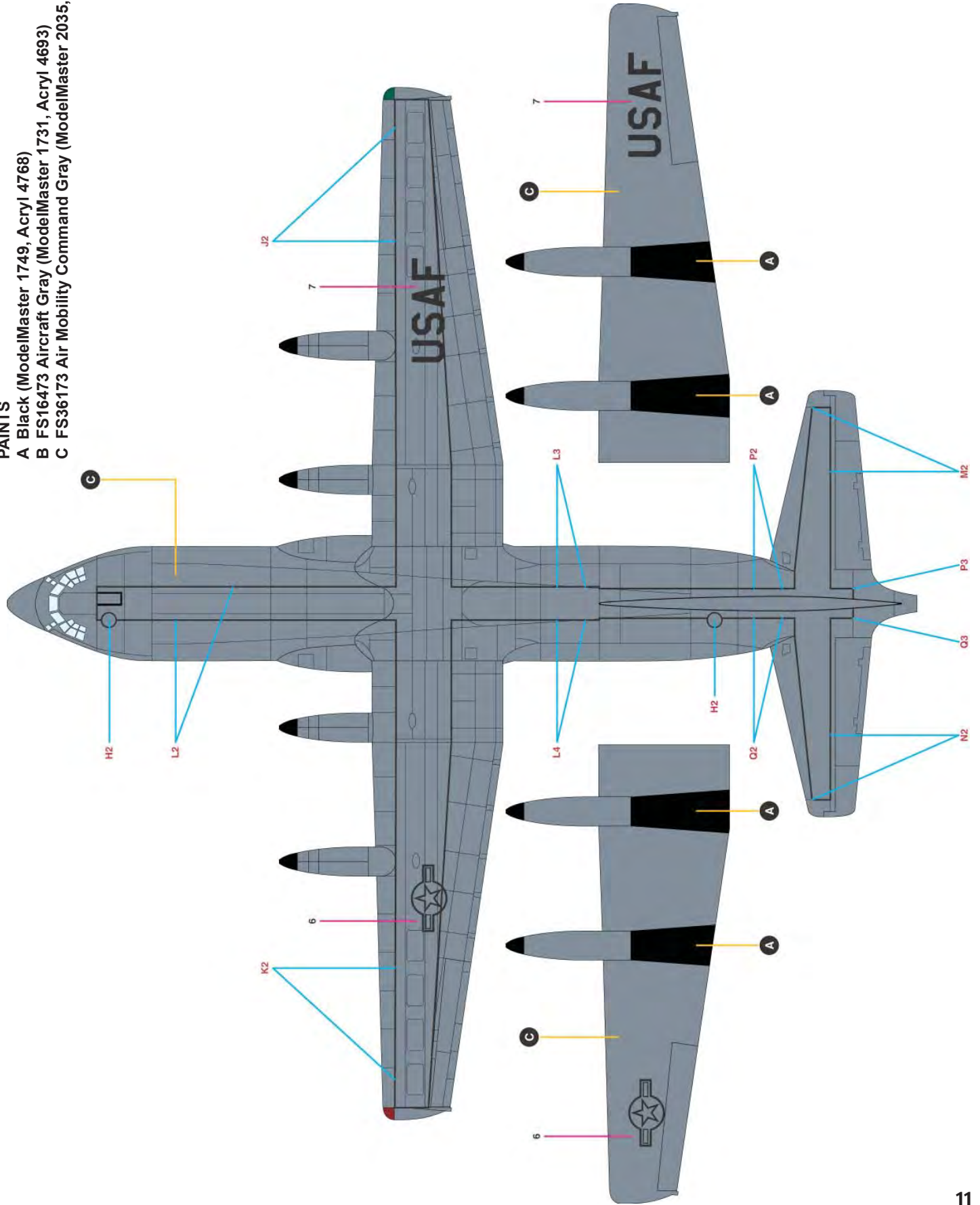


PAINTS

A Black (ModelMaster 1749, Acryl 4768)

B FS16473 Aircraft Gray (ModelMaster 1731, Acryl 4693)

C FS36173 Air Mobility Command Gray (ModelMaster 2035, Acryl 4754)



Your Minicraft model includes high-quality waterslide decals. These decals adhere best to a glossy surface; and it is recommended that you apply a clear gloss coat over your painted model.

Use a sharp scissors or knife to cut individual decals from the carrier sheet. Do not cut into the clear film surrounding the individual decals.

- * It is recommended that you apply one decal at a time.
- * Place the decal section in warm water, when first inserted in the water your decal will curl, after approximately ten seconds the decal will uncurl. Remove from water and lay on a paper towel. After approximately 10 - 20 seconds the decal will slide freely from the backing paper. Use a small brush to help slide the decal from the backing paper and into position on the model. Carefully blot excess water from the decal, using care not to move the decal or tear it.
- * If you choose to use a setting solution, apply a thin coat over the decal following the manufacturer's instruction.
- * Allow the decal to dry overnight. Wash any adhesive residue off the model with a small amount of clean water and dry thoroughly.
- * Apply clear gloss, matte or flat coat to seal decals following the instructions from the manufacturer.



Visit our Website- www.minicraftmodels.com

Minicraft Models (US) LLC 2136 12th St. Ste. 104
Rockford, IL 61104 USA
Phone: 847-429-9676
Printed in China