



VERLINDEN PRODUCTIONS

Ondernemersstraat, 4
B-2500 Lier/BELGIUM

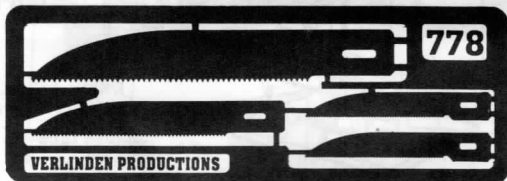
CE MADE IN BELGIUM

AGE 14 AND UP/ ET PLUS

Grumman F6F-3/5 HELLCAT Update Set

**1:72
804**

Recommended kit: ACADEMY/MINICRAFT F6-F3/5 HELLCAT
KIT N° 2121



Remove carriers with VP Razor Saw (Set 778)
Available in the VP model accessory range

RESIN PARTS

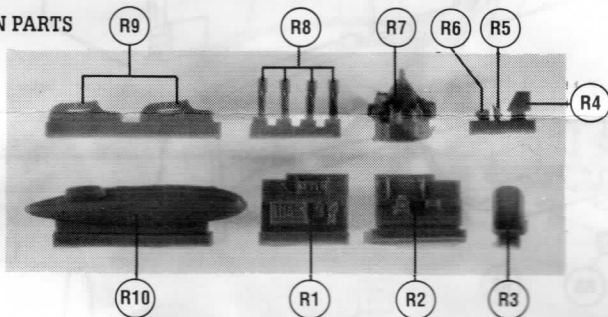
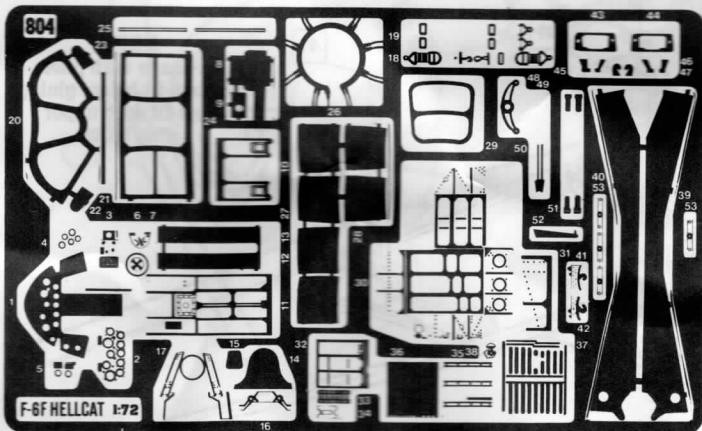


PHOTO-ETCHED PARTS



CAUTION

These photo-etched parts and resin accessories can only be glued with cyanoacrylate (Super Glue). Thoroughly clean the part before gluing.

READ BEFORE ASSEMBLY

This instruction sheet indicates the use of the VP Update Set parts. It does not replace the instruction sheet of the plastic kit which needs to be purchased in combination with this Update Set. This sheet merely indicates the proper sequence of gluing the VP parts. When kit parts need to be cut or changed it is indicated accordingly.

Every individual should determine at which stage of the assembly the VP parts are needed. It is advised to study both instruction sheets before you start assembly.

PAINTING INSTRUCTIONS

Since the parts of this VP set are designed to only UPDATE your plastic kit, the painting directions of the plastic kit should be followed. When areas need to be painted which are not shown on the original kit instruction sheet, color indications are provided.

1

17
Chromate Green

13
Glue plastic strip (not included)

15

14

NOTE
Follow kit instructions for painting of cabin interior

Remove excess to fit part 11

Remove kit rudder pedals

Glue plastic strip (not included)

Remove tabs
Glue kit part A1 on top of 11

Shape part 8 to form a map case with flap cover

Same color as side wall
9
7
Black
6
Black

R6

R2

2

42

39

41

40

NOTE
Pre-shape with pliers and test-fit before gluing
Test-fit with upper wing halve

3

Kit part D6

Kit part D5

NOTE
cut part 18 in two pieces

1

10

20

R5

4

2

3

R3

18

19

18

R4

52

To show belly hatch in open position

4

27

26

28

R7

To replace incorrect kit part A6

53

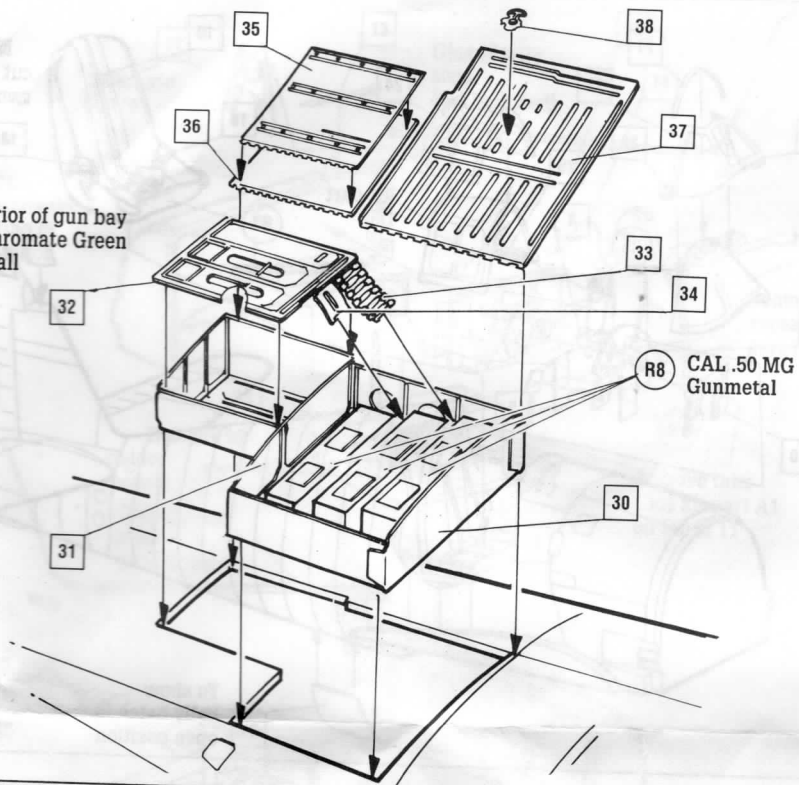
BOMB RACK
(make two)

R9

To replace kit part C16

5

Interior of gun bay is Chromate Green overall



6

Piece of plastic strip (not included)

Save from kit part A7

