



# Ta 152 C-1/R14

フォッケウルフ Ta152C-1/R14

德国 Ta 152 C-1/R14

## PLEASE READ BEFORE OPERATION!

- \* Tools recommended as below: (Not included)  
Adhesives; Paints; Side Cutters; Sharp Edged Pliers; Modeling Knife; Modeling File; Nippers; Drill; Scissors; Sand Paper; Soft Cloth; Cyanoacrylate Glue.
- \* Make sure to read this instruction listed below before assembling.
- \* The kit contains the small parts, they can be dangerous if swallowed by mistake, so keep them away from reach of children.
- \* Cut the all parts off carefully and remove the waste parts into the garbage can.
- \* More caution and care should be needed for cutting and handling the photo etched parts.
- \* Make attention that some parts should be attached the decal when assembled.
- \* During assembling, please tear up and throw away the plastic bags, or may cause the dangerous if wearing over head by children's mistake.
- \* When using the adhesives and paints, please do not use them in the closed room or near the fire, also must be very careful to protect your eyes, face and clothes.
- \* Adult supervised when assembled by children under 14 years old.

## 装配前请仔细阅读:

- \* 推荐使用的模型工具(请自备):  
专用模型胶水, 专用模型油漆, 水口剪刀, 长咀钳, 刀片, 锉刀, 镊子钳, 钻, 剪刀, 软布, 砂纸, 瞬间快干胶等。
- \* 用水口剪刀或刀片小心切下所有塑胶零件和蚀刻片零件, 不要遗失小零件。
- \* 切取蚀刻片时应特别注意防止利边划伤手指。
- \* 用模型锉刀小心锉平所有零件表面的注射浇口。
- \* 用适量的强力快干胶水粘合蚀刻片零件和金属轴, 切忌过量, 否则可能导致可动零件被粘住。
- \* 注意某些零件表面需在装配时同步贴水上贴纸。
- \* 制作时应远离幼儿并将包装袋及时收妥, 谨防小孩玩耍而引起意外。



cyanoacrylate glue  
强力胶



weight  
配重



make hole  
钻孔



cut / remove  
切除



option  
选择



no cement  
不涂胶水



decal  
贴纸



bend  
弯曲



repair  
填补

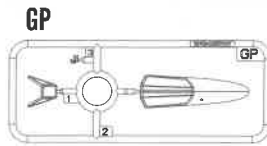
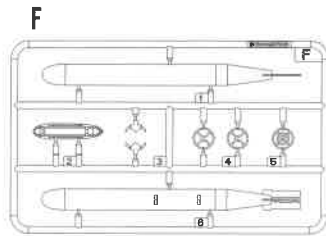
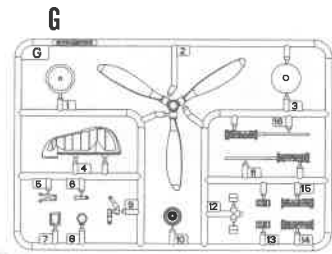
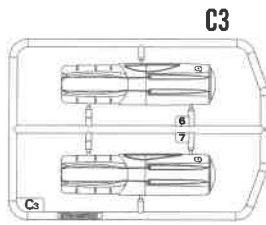
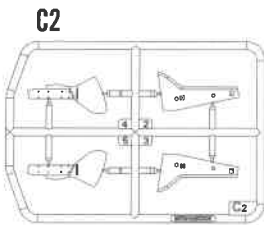
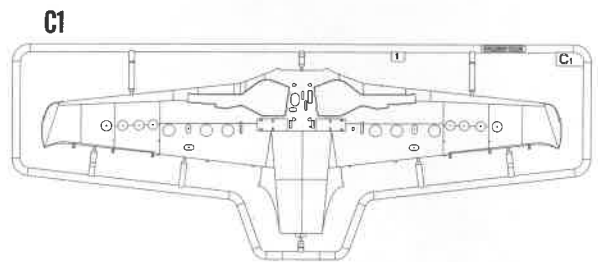
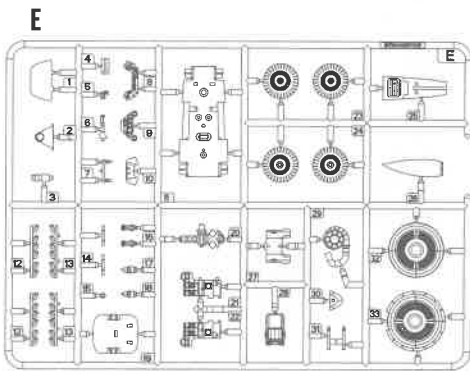
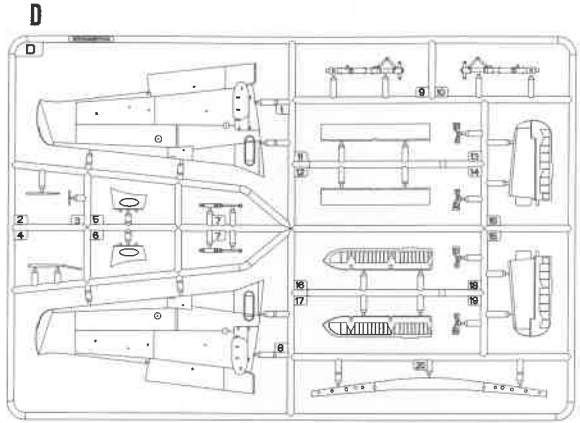
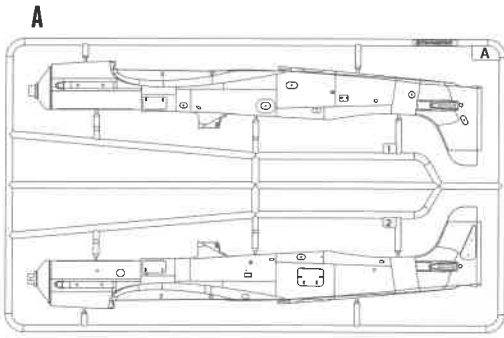
## The method to apply the decals

1. Cut off the decal from the decal paper and put it into the warm water 40°C for 10 seconds.
2. Take the decal from the water and put it on a piece of clean cloth.
3. Remove the decal slowly from the paper to the targeted location by a wet finger.
4. Use a piece of dry and soft cloth to press it gently on the decal until it getting dry and no bubble existing.

## 水贴纸的使用方法:

- 一. 把相关的印花从水贴纸上剪下, 放入40°C左右的温水中浸10秒。
- 二. 然后将印花放在干净的布上。
- 三. 拿上印花纸板, 手指蘸水将印花移到适当的位置。
- 四. 用软干布轻压印花直至水干, 气泡消失。

部品图  
Parts



《水贴》  
Decal

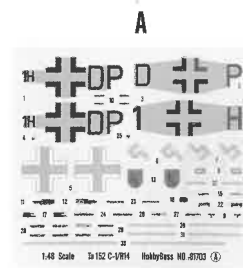
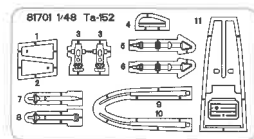
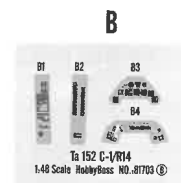
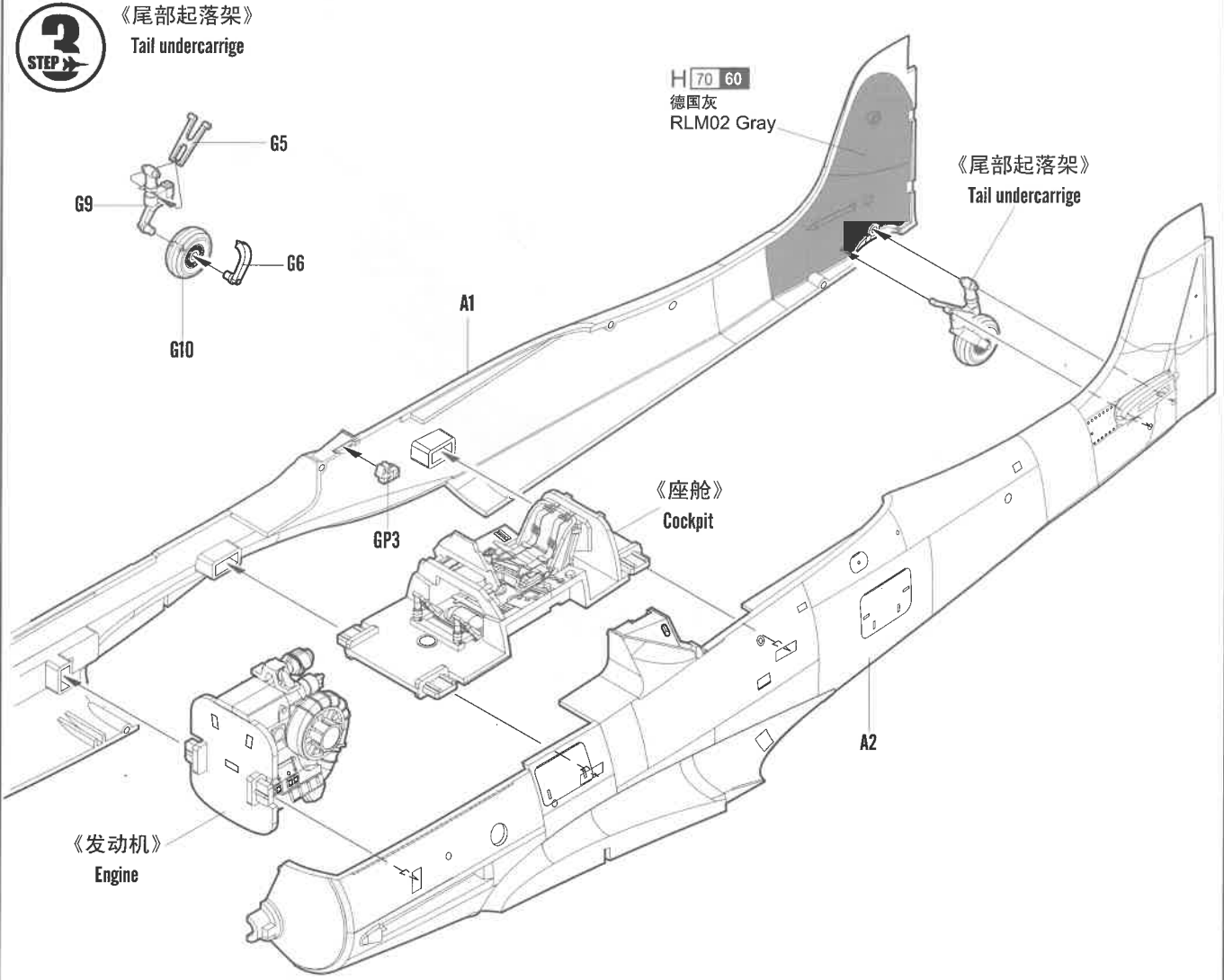
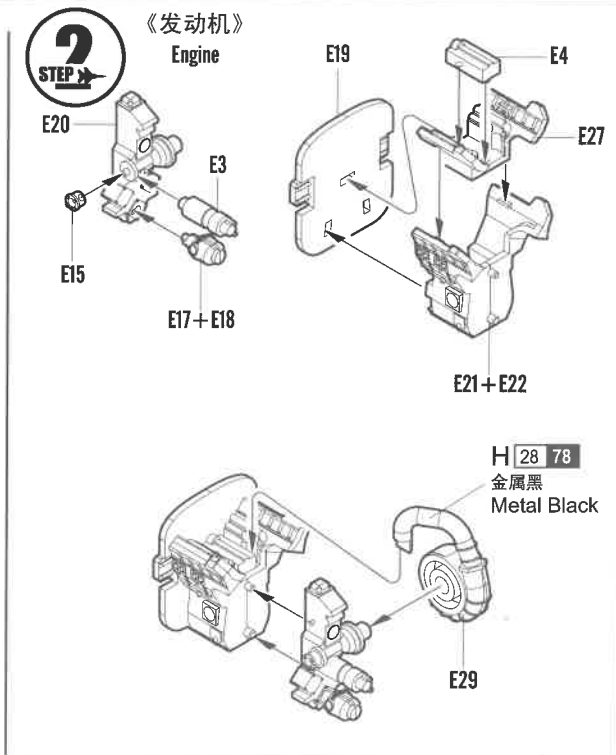
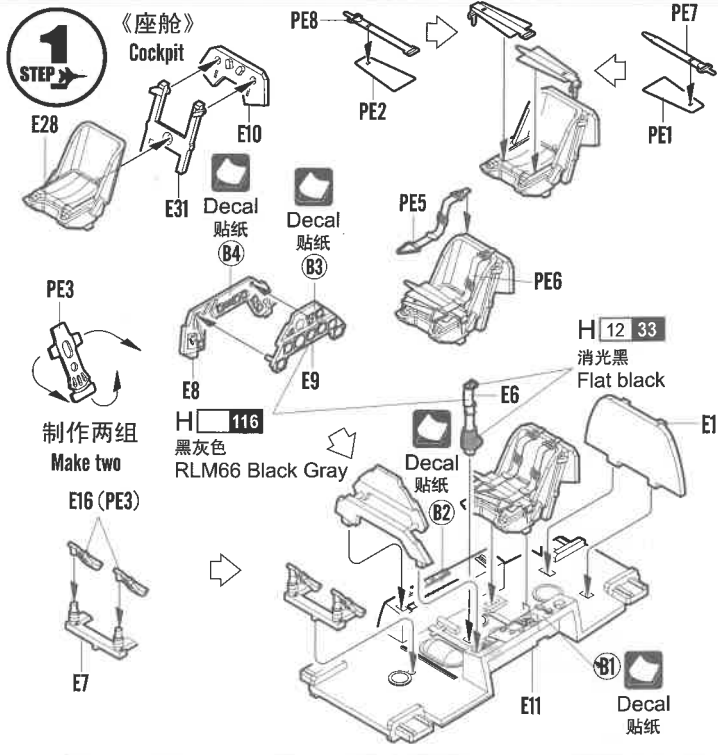


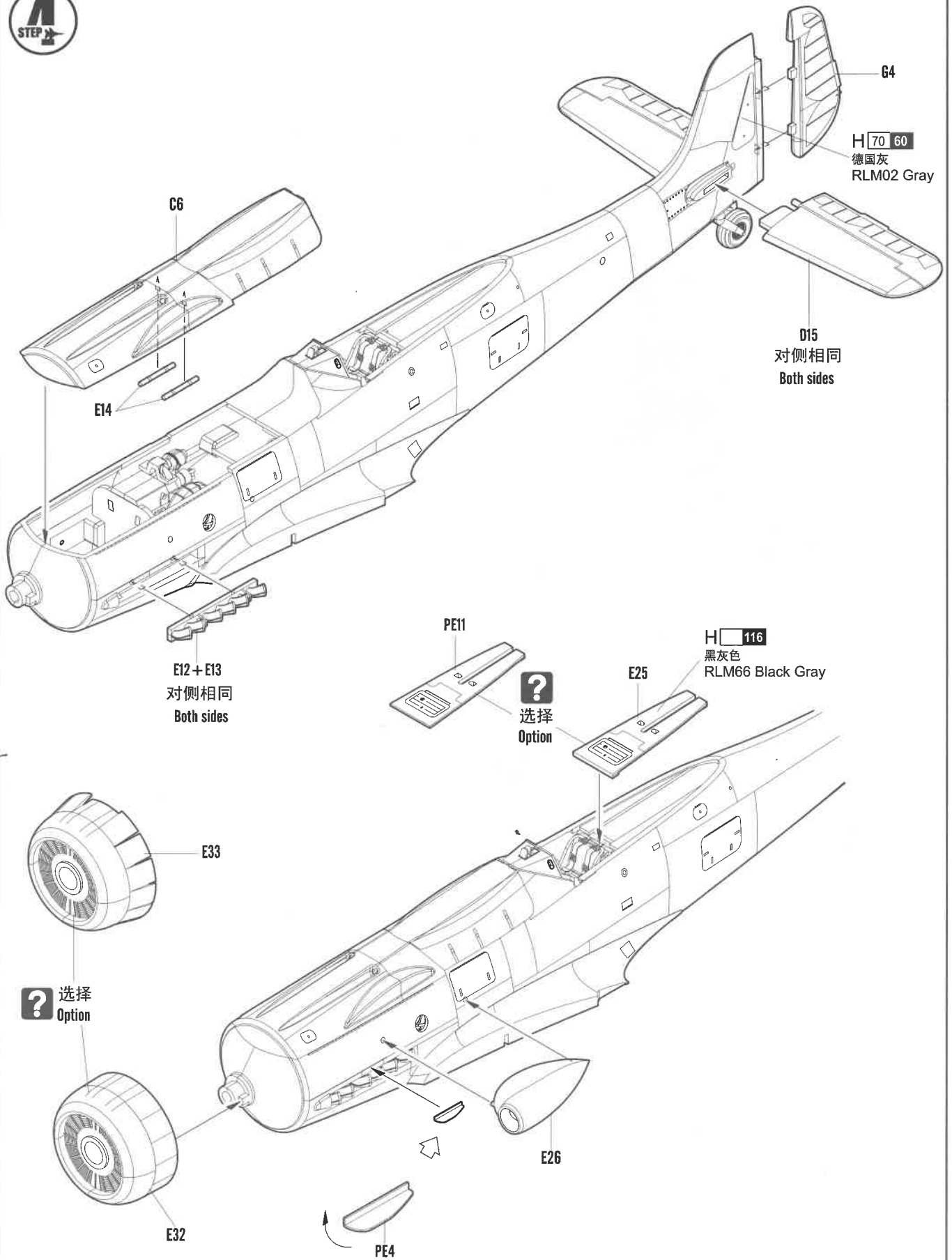
Photo etched part(PE)



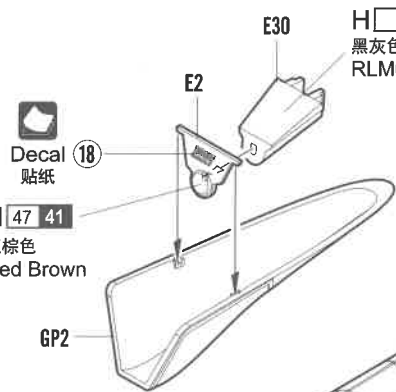
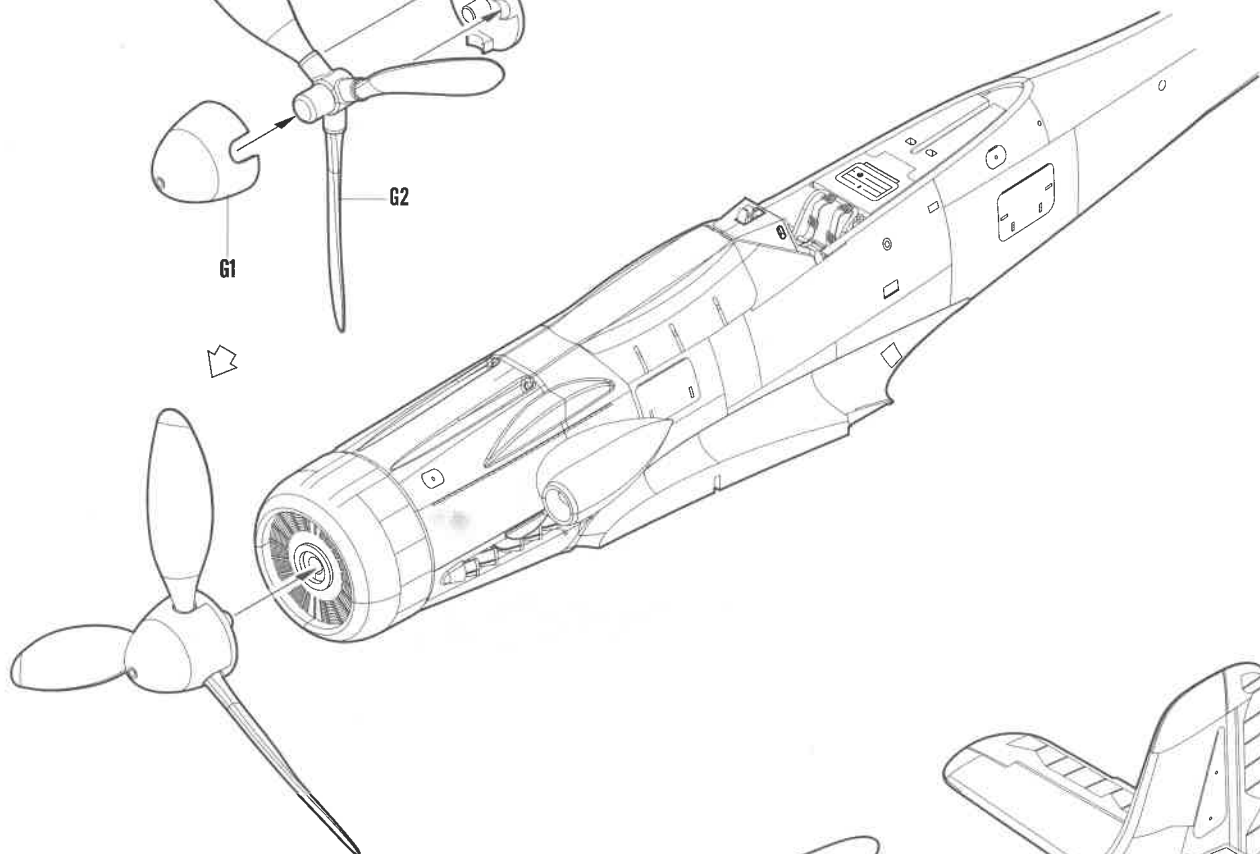
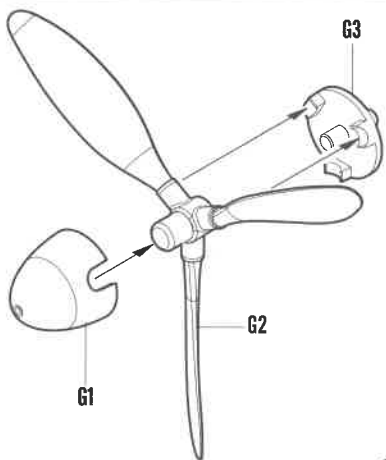
不用的部件: C7 E5  
Unused parts







**5**  
STEP

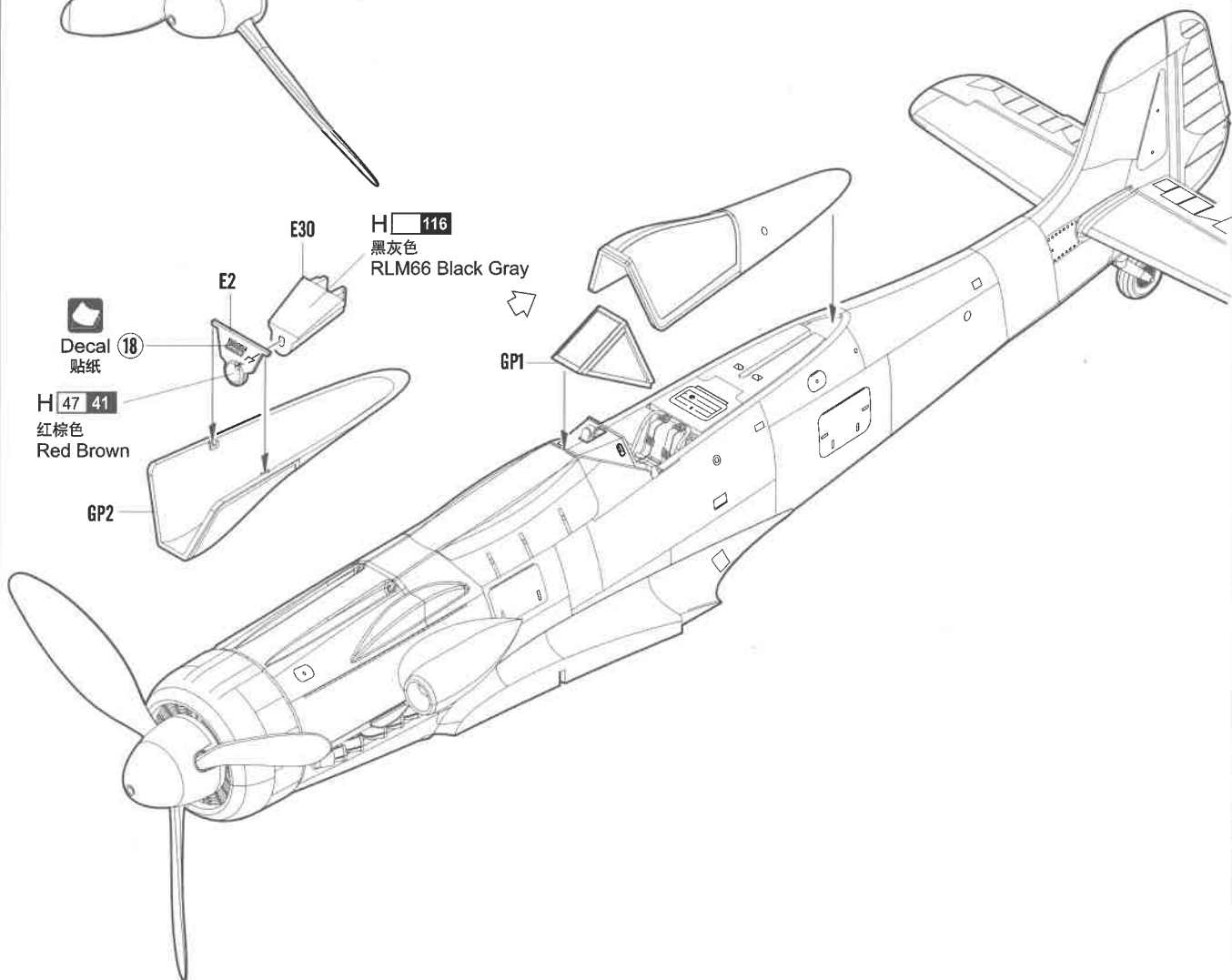


Decal  
贴纸

H 47 41  
红棕色  
Red Brown

H 116  
黑灰色  
RLM66 Black Gray

GP1





H 70 60  
德国灰  
RLM02 Gray

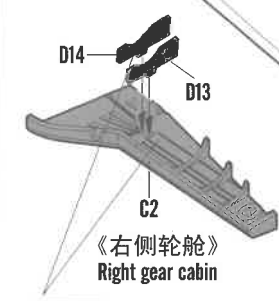
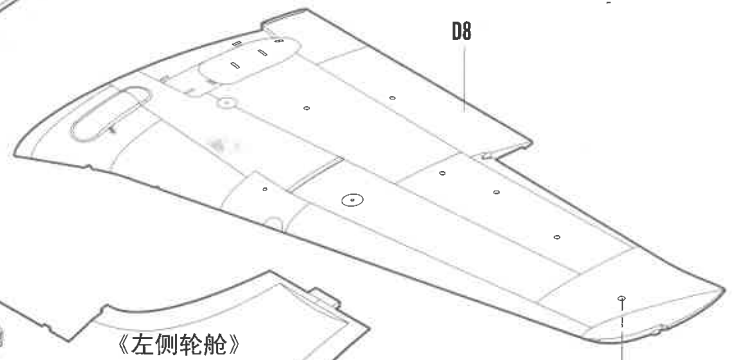
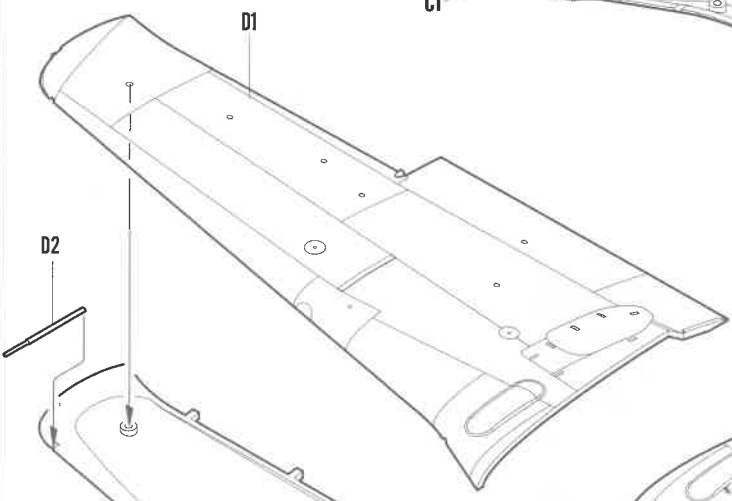
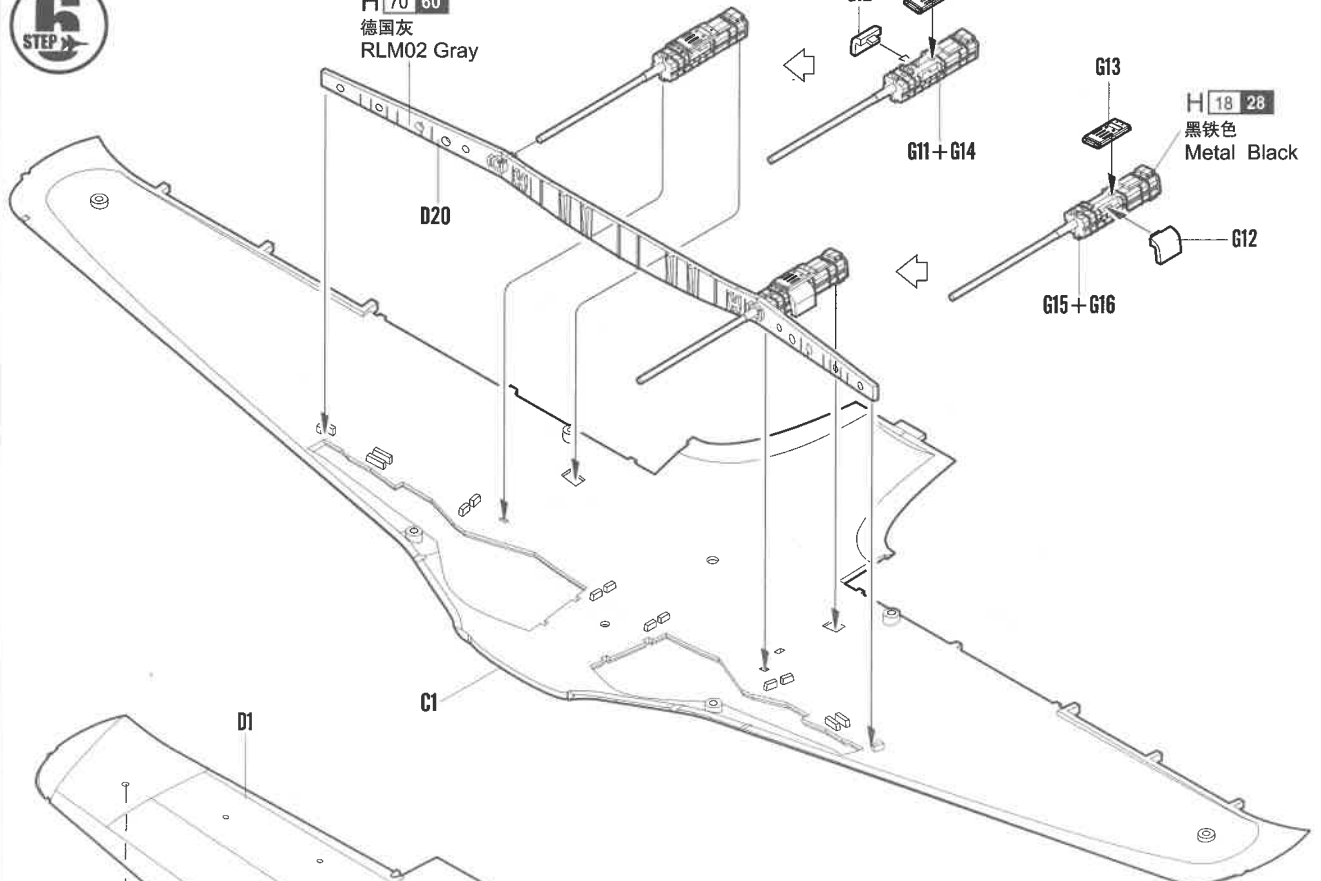
G12 G13

G11 + G14

H 18 28  
黑铁色  
Metal Black

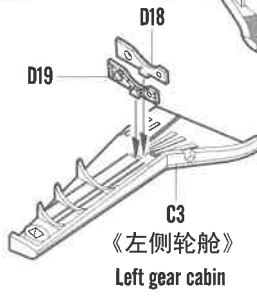
G15 + G16

G12



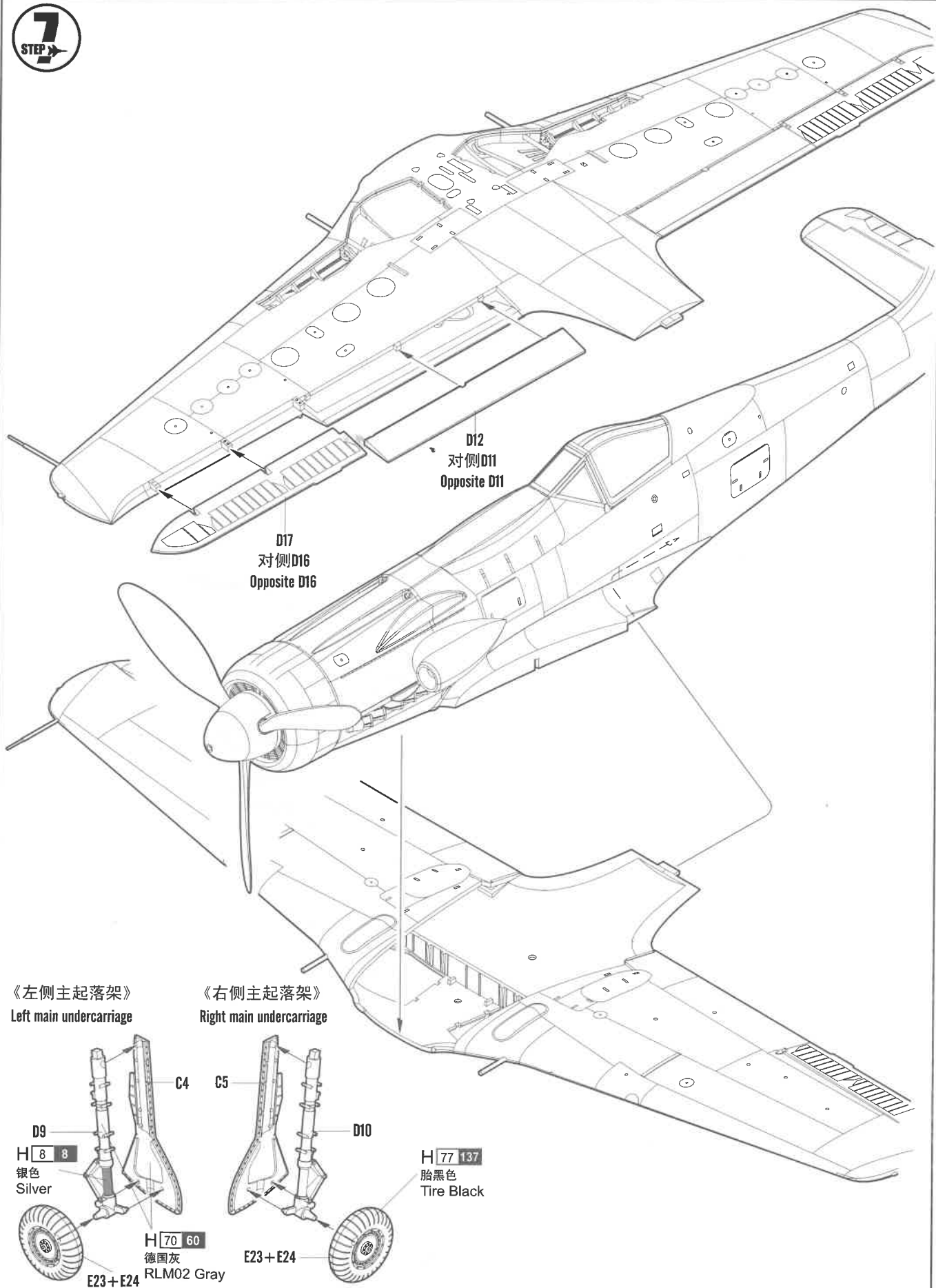
《右侧轮舱》  
Right gear cabin

H 70 60  
德国灰  
RLM02 Gray



《左侧轮舱》  
Left gear cabin

H 70 60  
德国灰  
RLM02 Gray

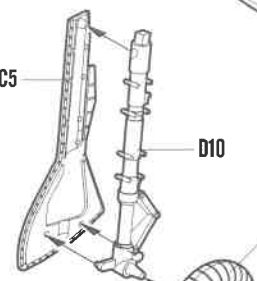
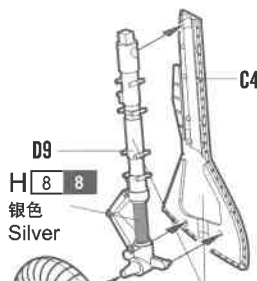


D12  
对侧 D11  
Opposite D11

D17  
对侧 D16  
Opposite D16

《左侧主起落架》  
Left main undercarriage

《右侧主起落架》  
Right main undercarriage



H 8 8  
银色  
Silver

H 77 137  
胎黑色  
Tire Black

H 70 60  
德国灰  
RLM02 Gray

E23+E24

E23+E24



《左侧主起落架》  
Left main undercarriage

H 8 8  
银色  
Silver

对侧相同  
Both sides  
D7

PE9 + PE10  
D4  
? 选择  
Option

D3

G7

G8

D5  
对侧D6  
Opposite D6

H 70 60  
德国灰  
RLM02 Gray

《右侧主起落架》  
Right main undercarriage

H 70 60  
德国灰  
RLM02 Gray

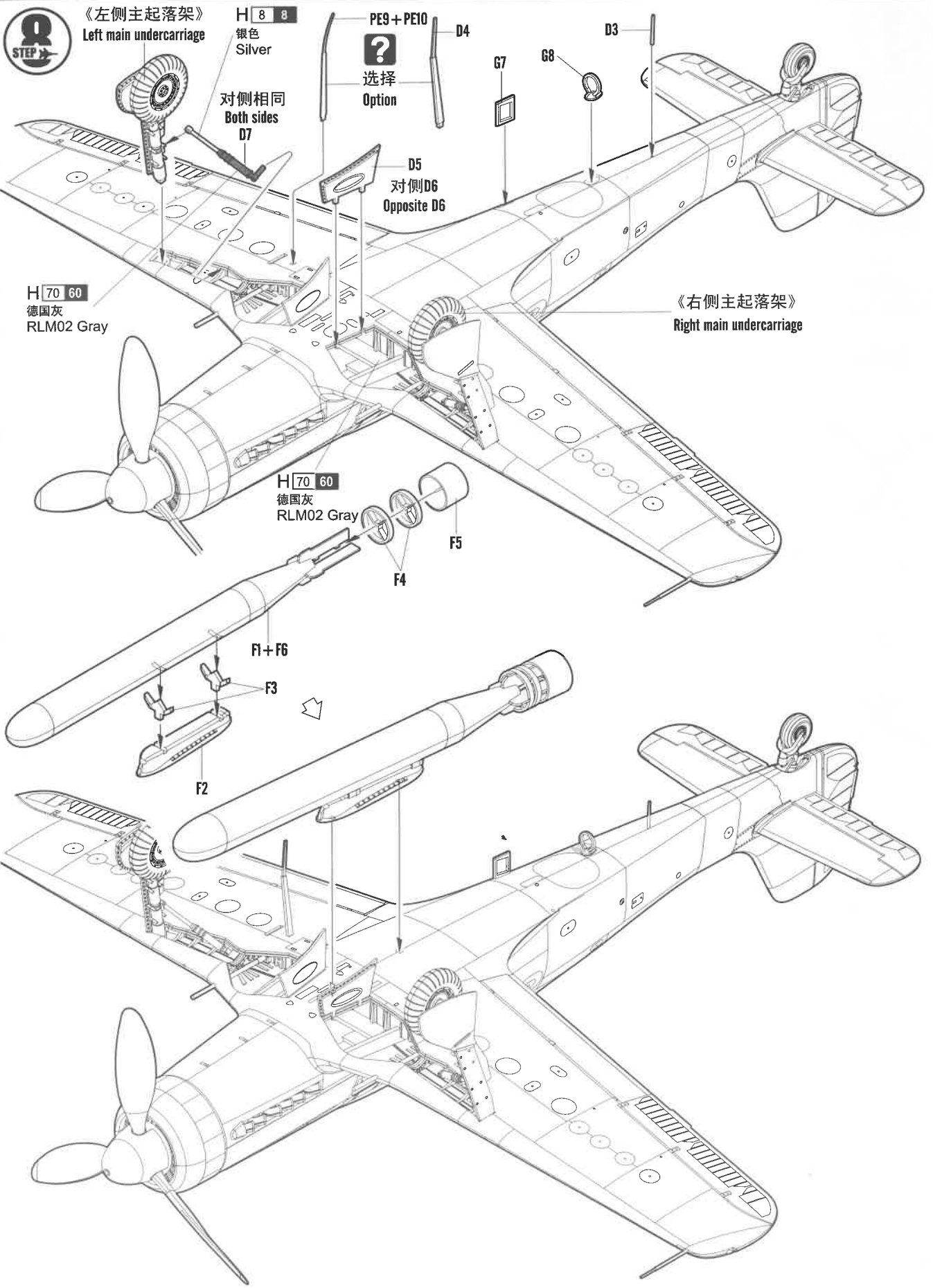
F5

F4

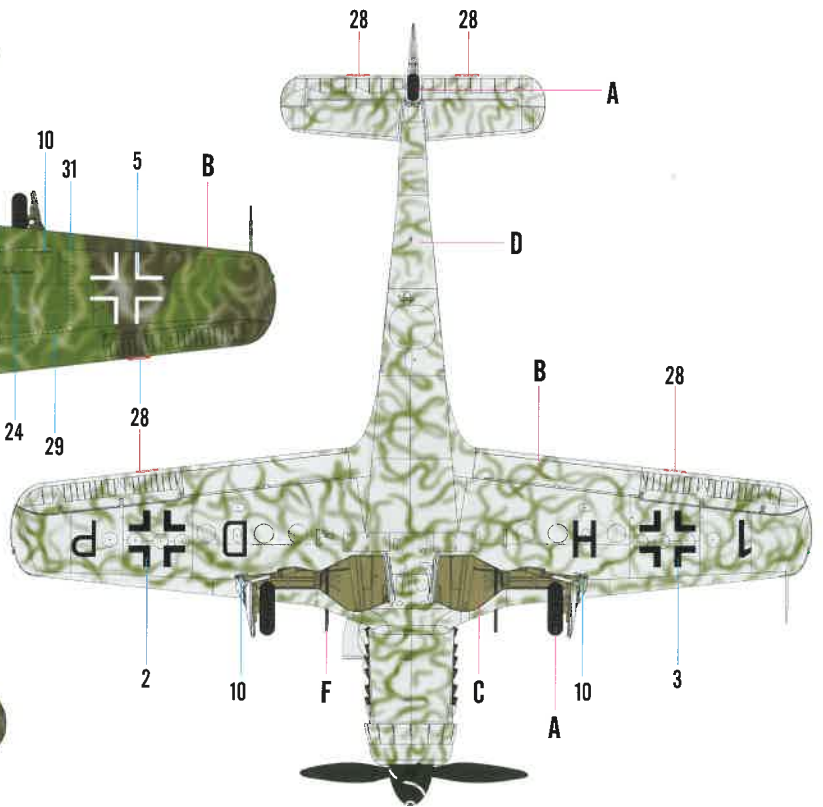
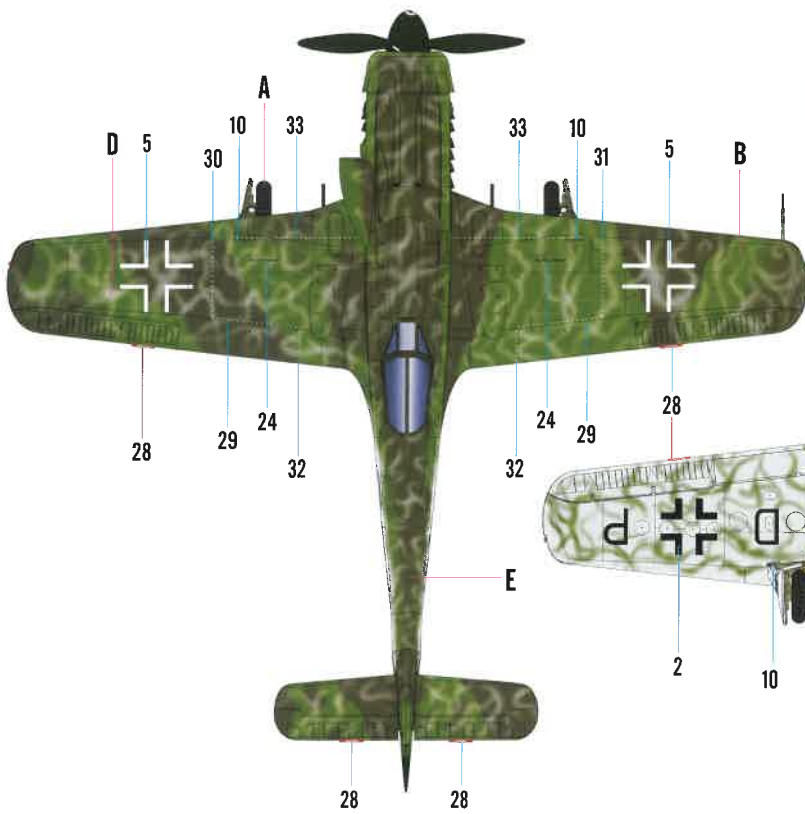
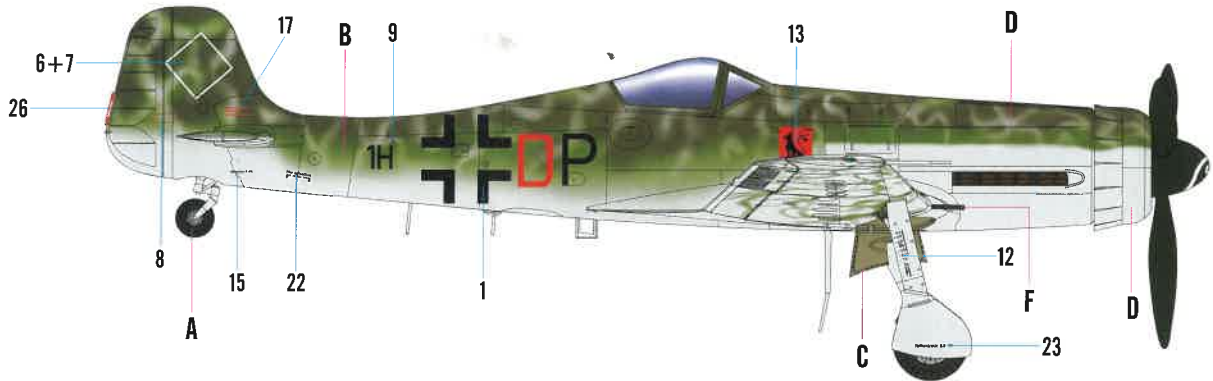
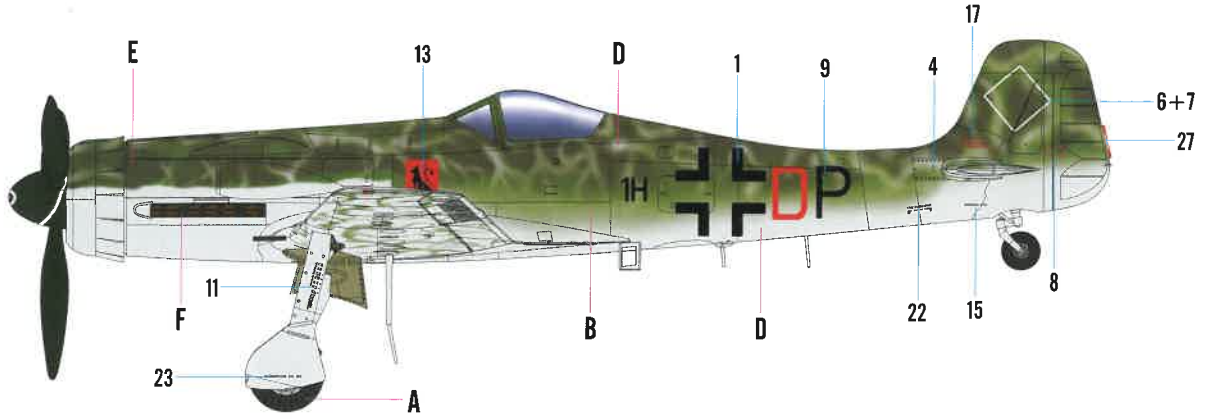
F1 + F6

F3

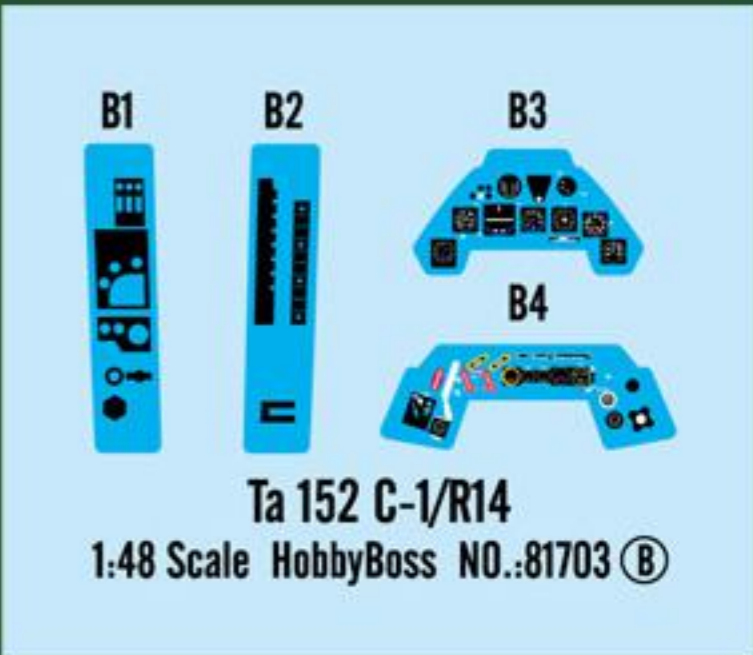
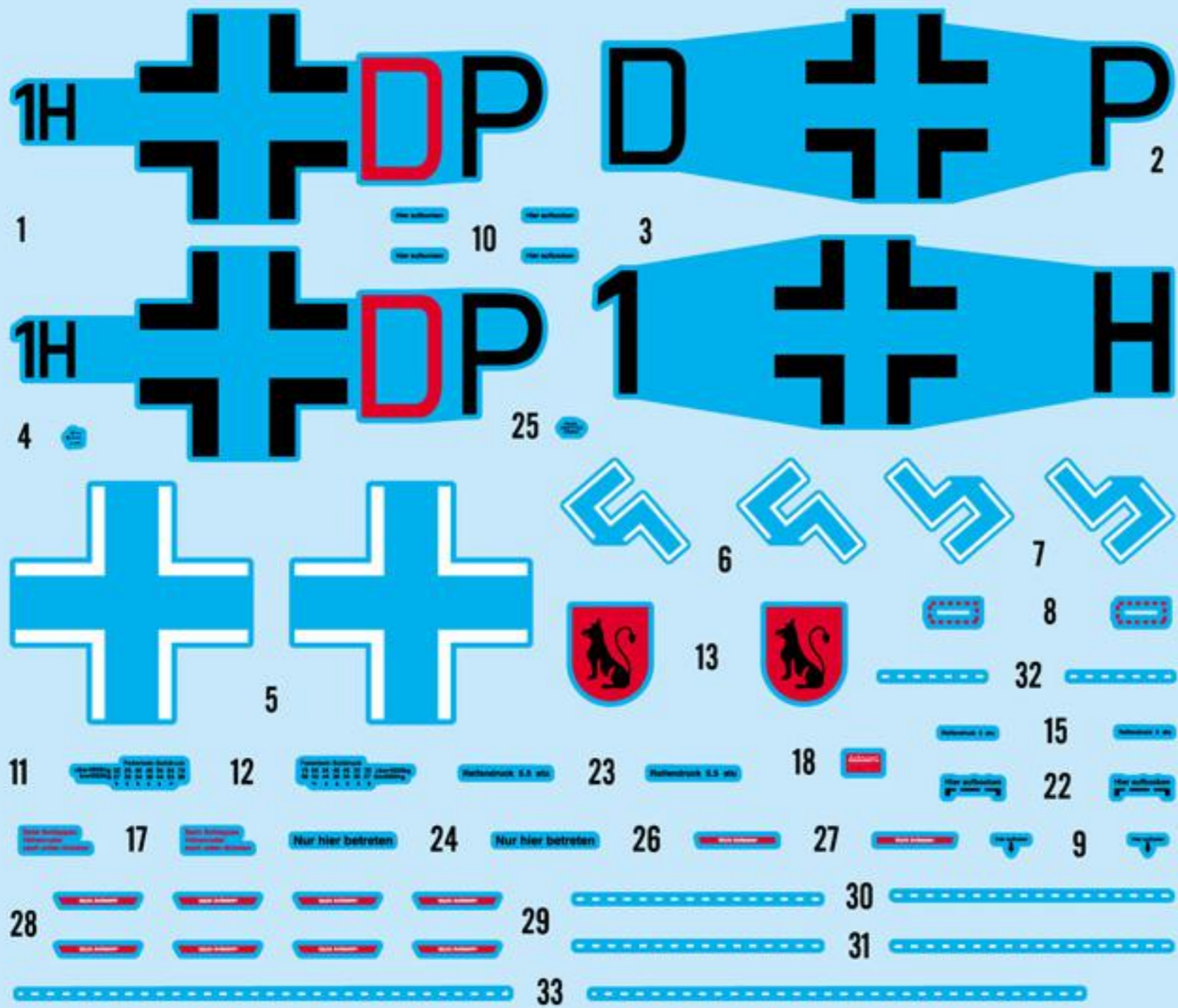
F2







Color	Mr.Hobby	Vallejo	Model Master	Tamiya	Humbrol	Color	Mr.Hobby	Vallejo	Model Master	Tamiya	Humbrol
A 胎黑色 Tyre Black	H 77 137	--	--	--	--	D 浅蓝色 RLM76 Light Blue	H 117	907	1731	--	--
B 浅绿色 RLM82 Light Green	H 122	823	--	--	--	E 绿色 RLM62 Green	--	--	--	--	--
C 德国灰 RLM02 Gray	H 70 60	869	--	XF22	--	F 黑铁色 Steel	H 18 29	864	1402	--	--



1:48 Scale Ta 152 C-1/R14 HobbyBoss NO.:81703 (A)