

GERMAN SELF-PROPELLED GUN

pz. jg. I b pak L/43



SPECIFICATION

GENERAL

CREW: 3 MEN
BATTLE WEIGHT: 8.4 TONS
GROUND PRESSURE: 8.1 LBS/SQ. IN.

1/72 SCALE

DIMENSIONS

LENGTH: 14.7 FT.
HEIGHT: 7.3 FT.
WIDTH: 6.6 FT.
WIDTH OF TRACK: 11 IN.
GROUND CLEARANCE: 11.6 IN.

KIT 8046

ARMAMENT

ONE 4.7 CM. ANTI-TANK GUN (CZECH), CALIBER LENGTH 43
ELEVATION: -8° TO $+12^{\circ}$
TRAVERSE: $\pm 15^{\circ}$

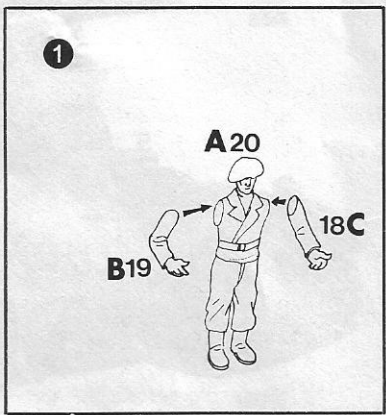
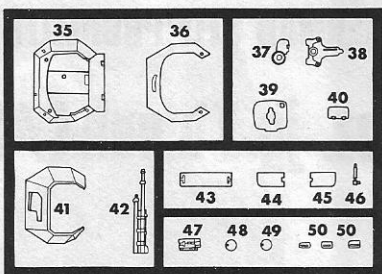
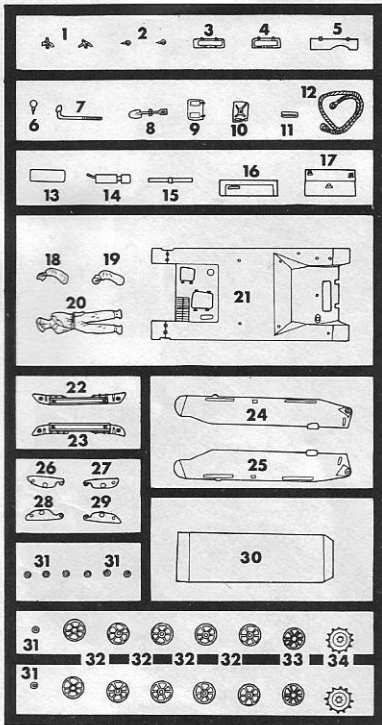
ENGINE

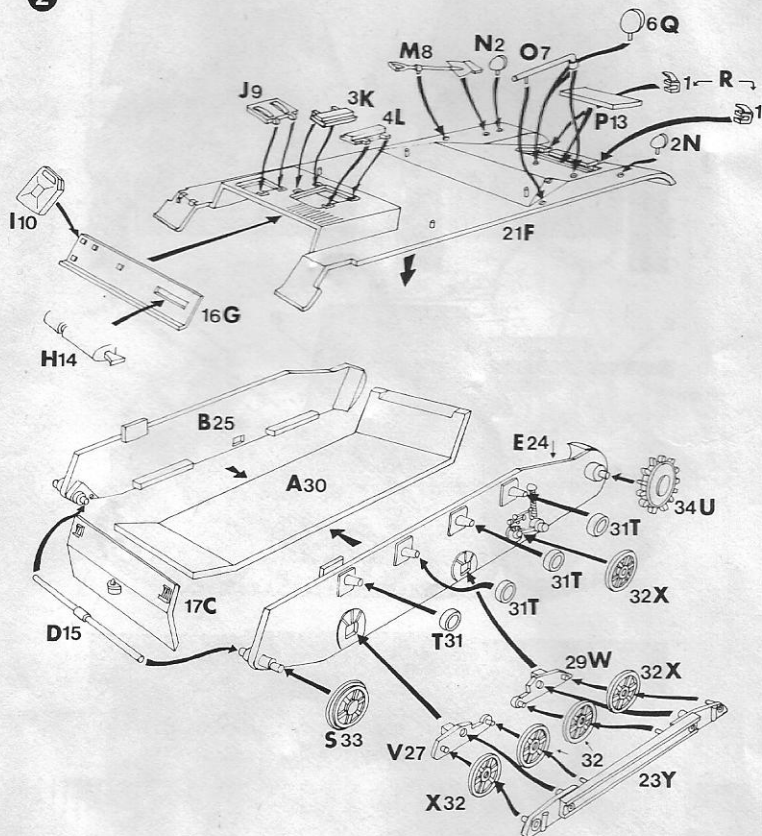
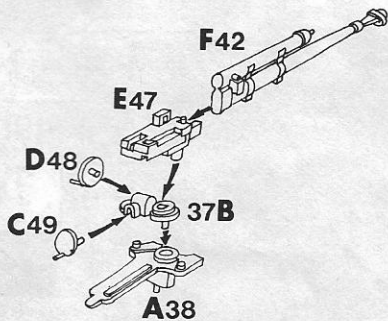
NL 38TR MAYBACH, 100 HP AT 3,000 RPM, 6 CYLINDERS IN-LINE,
LIQUID-COOLED, COMPRESSION RATIO 6.7:1

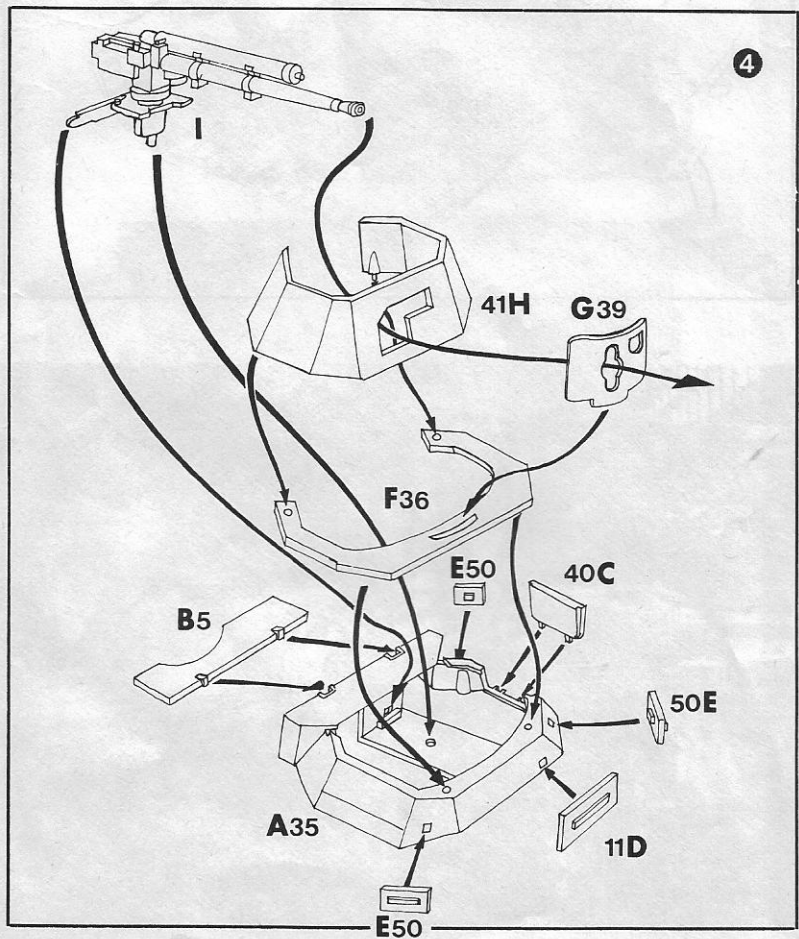
PERFORMANCE

SPEED: 25 MPH ON ROAD
CLIMBING ABILITY: 30° (57%) SLOPE
TRENCH CROSSING ABILITY: 4.6 FT.
FORDING DEPTH: 23.6 IN.
FUEL CAPACITY: 39 GAL.
RADIUS OF ACTION: 87 MILES ON ROAD:
59 MILES CROSS-COUNTRY

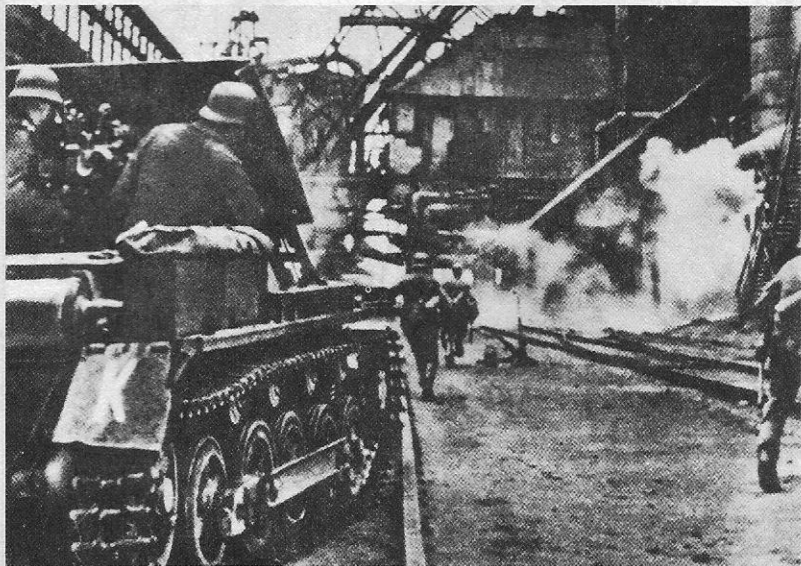
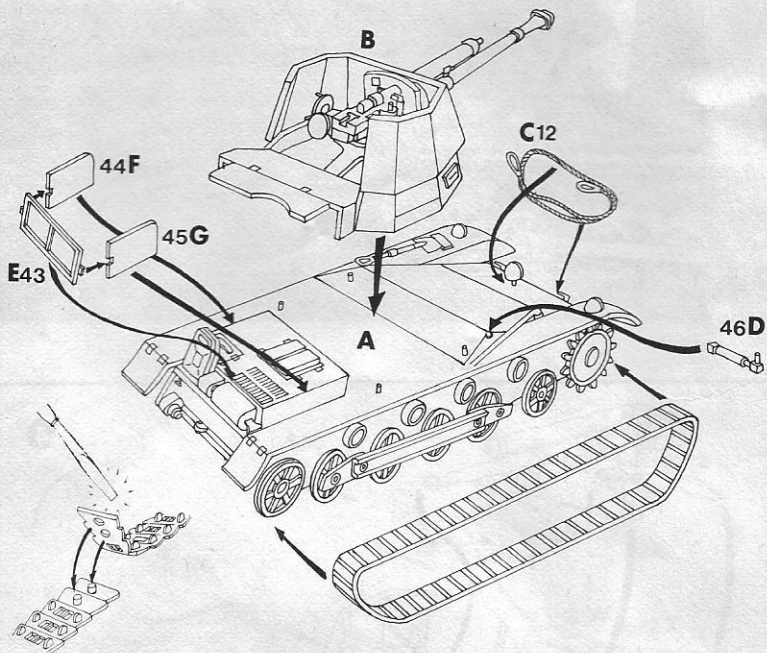


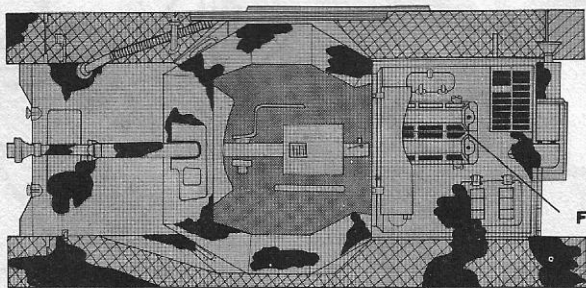
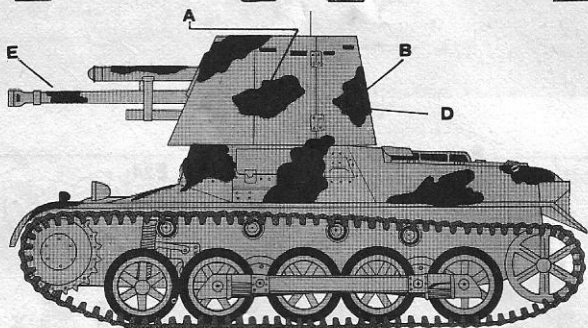
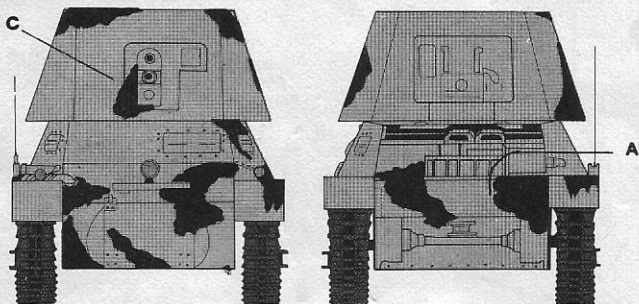


2**3**



5





✦ A ✦ ✦ 32^B 32^C f

✦ A ✦ ✦ 13^B 13

✦ A ✦ ✦ E IIII f c

✦ A ✦ ✦ [f D f]

^B 50 50



MADE IN ITALY.
KIT.8046

PZ.1B PAK L/43

MADE IN ITALY