

Assembly guide



Do the same for the opposite side



Options



Use Wingman parts instead



Drill a hole



Apply decal



Photo etch parts. Glue with Super glue.



Multiple time



Painting instructions



Important Notes



Our painting instructions refer to the CSI Creos Mr. Hobby (H [x]) and Humbrol (HU x) ranges of paints. Paints required for this model are:

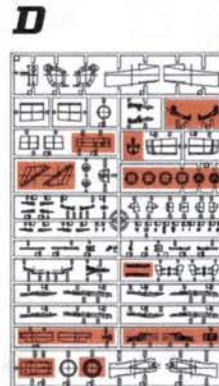
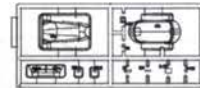
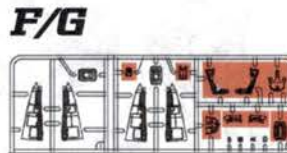
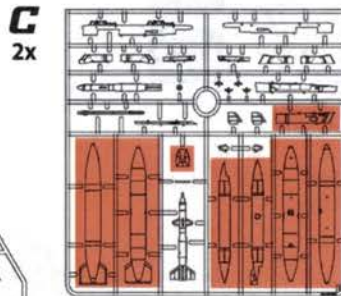
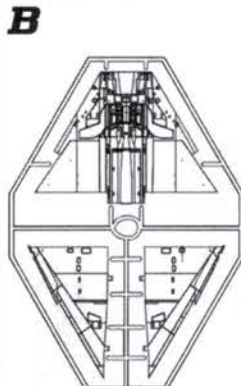
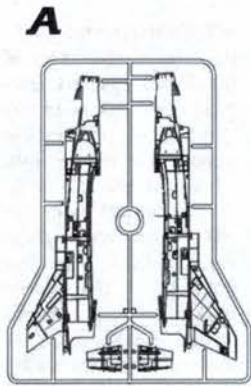
CAUTION

- *Read carefully and fully understand the instructions before commencing assembly.
- *Keep out of reach of children. Children must not be allowed to put any parts in their mouths, or pull plastic bag over their heads.
- *When using adhesives and paints, please make sure not to use them in closed room or near the fire.
- *When assembling this kit, tools including knives are used. Extra care should be taken to avoid injury.

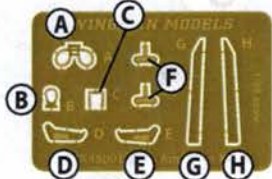
WARNING: CONTAIN SMALL PARTS NOT FOR CHILDREN UNDER 14 YEARS OF AGE.

Parts not in use

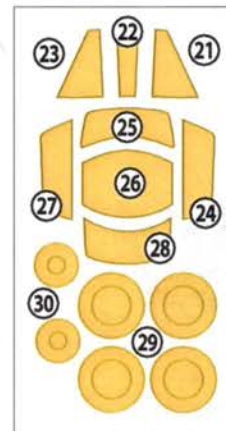
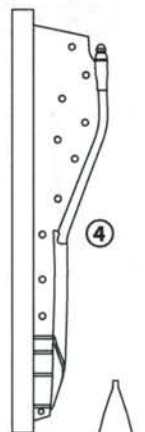
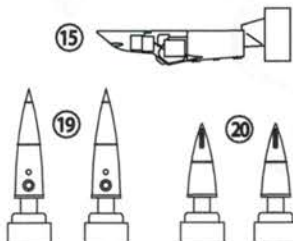
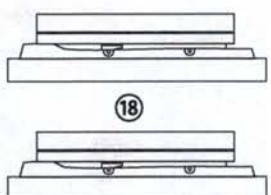
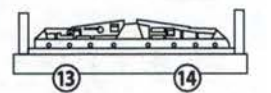
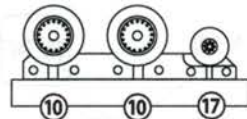
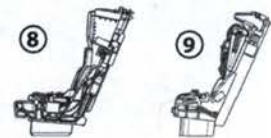
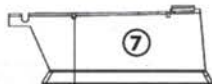
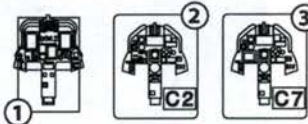
Plastic parts



Etched metal parts



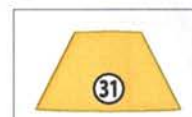
Resin parts



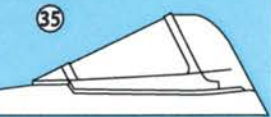
Paper masking

- AOA probe 32
- C10 pitot 33
- C2/ C7/ C12 pitot 34

Brass parts



C10/ C12 windshield mask



2x vacu-formed windshields for Kfir C.10 / C.12

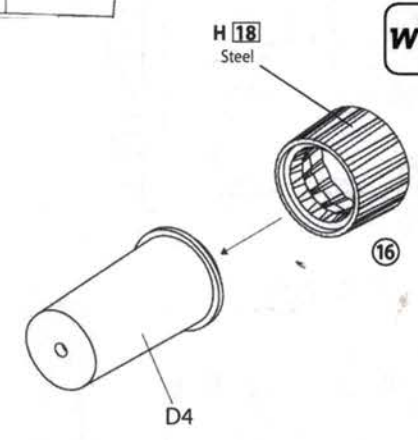
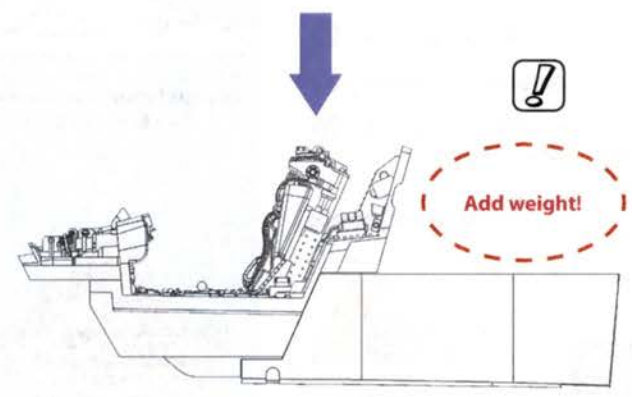
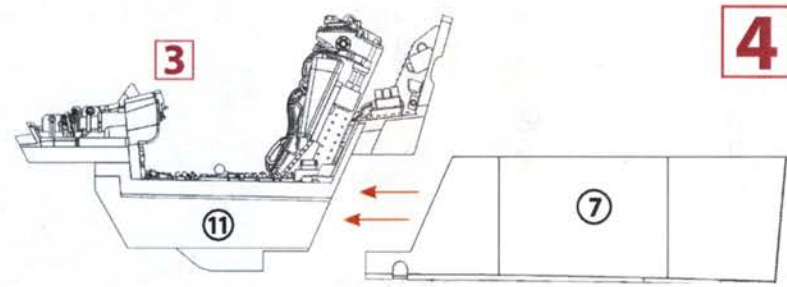
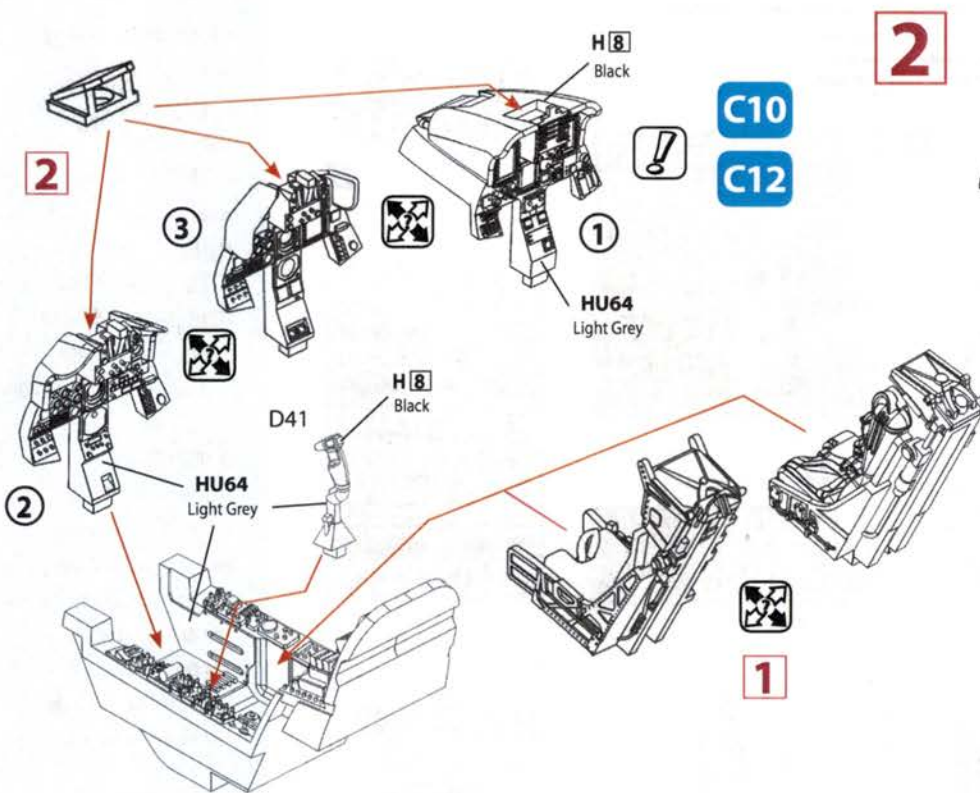
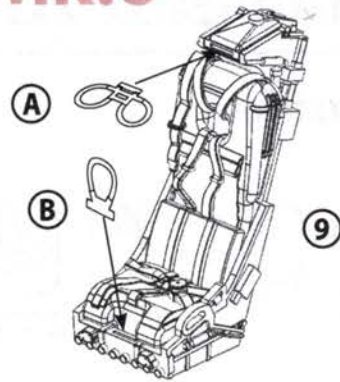
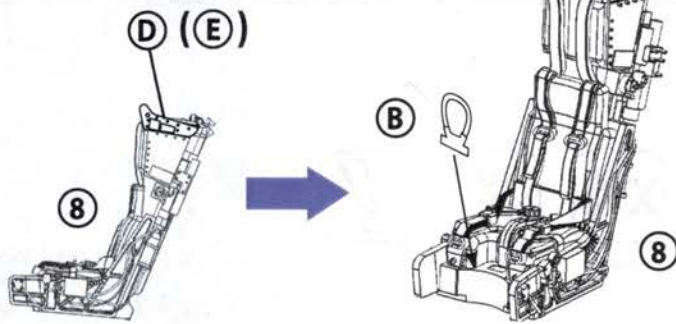


We are right beside you!

1 WM

Mk.10

Mk.6



Paint cockpit tub, side-walls and instrument panels **HU 64** Light Grey, including the bulkhead behind the seat's head-rest. The avionics housing are **H 8** Black.

MB Mk.6 Ejection Seat
Paint the metal frame of the Mk.6 ejection seat **H 8** Black with parachute housing under the head rest in **HU 163**. Remaining cushions were **HU 159** Khaki Drab. Shoulder and side belts in **HU 81** Brownish Yellow. Middle main belt in **HU 66** Olive Drab. Other colours in use are Red, Yellow, White, Black and Aluminium.

MB Mk.10 Ejection Seat
Paint the metal frame of the Mk.10 ejection seats **H 8** Black with head rest and back rest cushions in a mixture of **HU 86** Light Olive and **HU 155** Olive Drab. The seat belts are **HU 26** Khaki with pulls in **HU 155** Olive Drab. The housing of the rescue pack is painted in **HU 99** Lemon. Other colors in use are Red, Yellow **Hu 24**, and White.



Note that for Colombian Kfir C.12 resin part **1** should be used.

C10 C12

3
WM
[Warning icon]

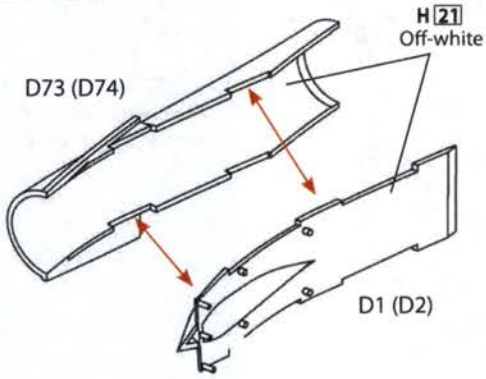
4 WM

5
WM



As the model might be a bit tail heavy with our resin wing tanks, and exhaust - add some extra weight behind the cockpit.

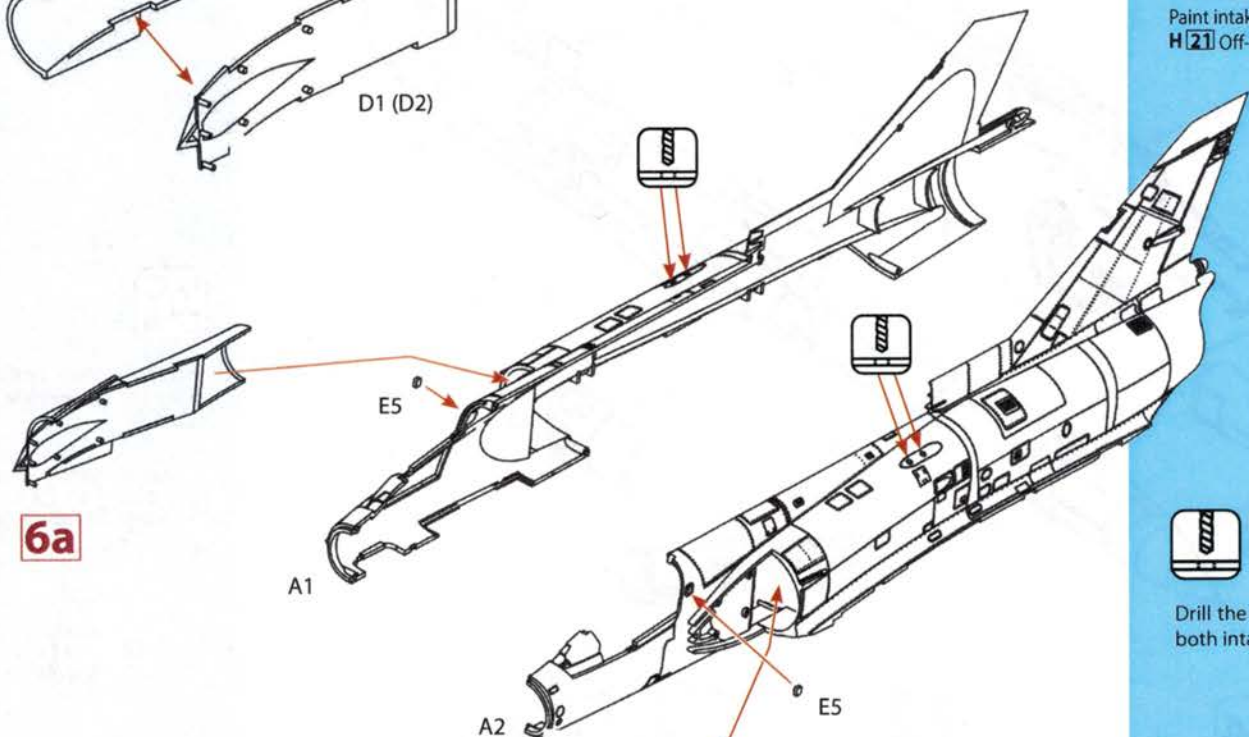
6 LEFT & RIGHT



LEFT & RIGHT

D1+D73 = **6a**
D2+D74 = **6b**

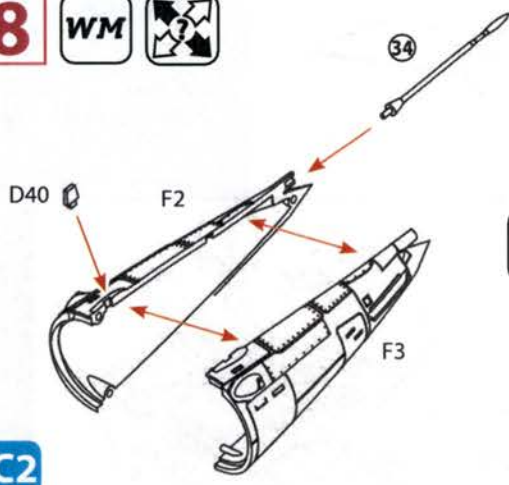
6a



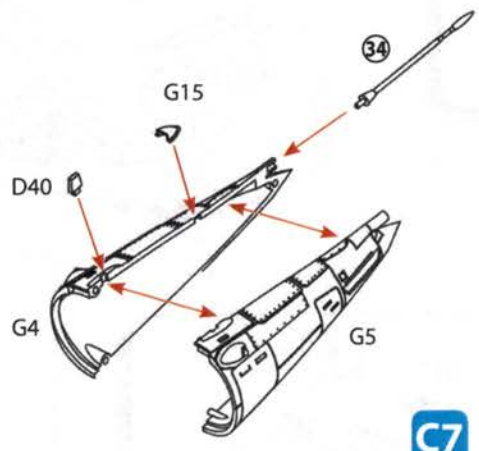
6b

7 LEFT & RIGHT

8 WM

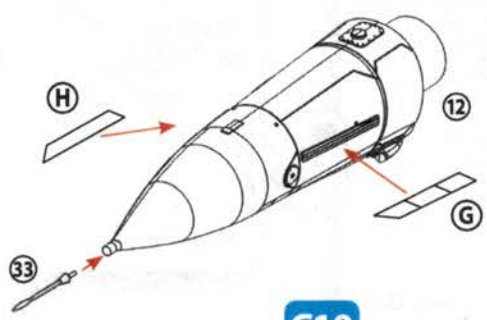


C2



C7

9 WM LEFT & RIGHT



C10

LEFT & RIGHT

Numbers in brackets refer to the other side.



Paint intake trunks Mr. Hobby H [21] Off-white.



LEFT & RIGHT

Drill the holes on top of both intakes.

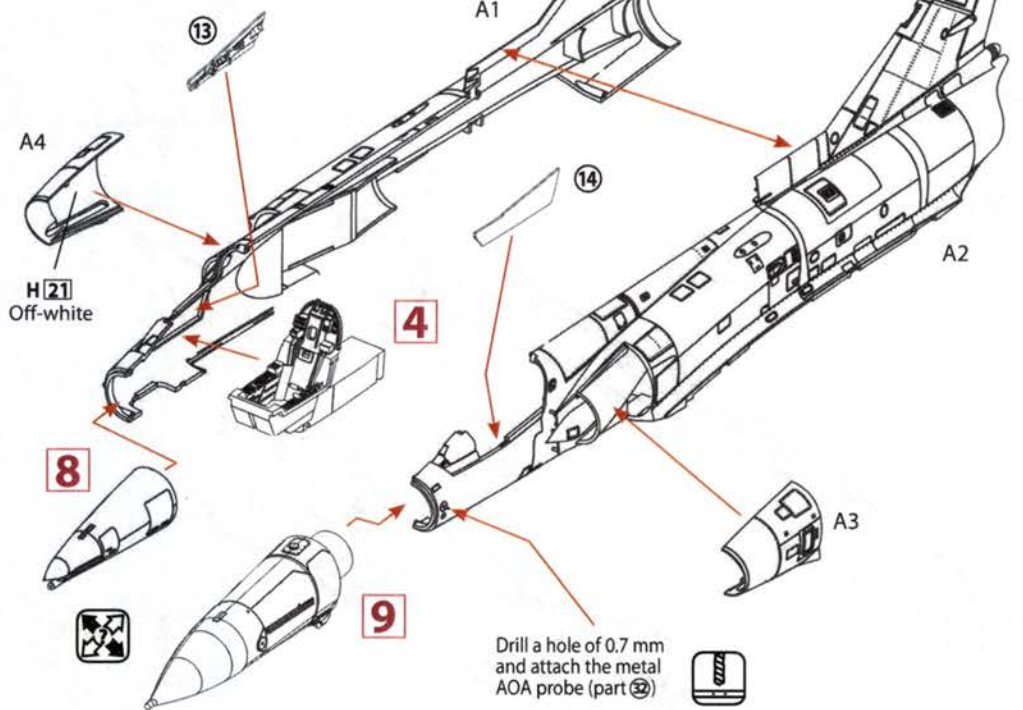
LEFT & RIGHT

Numbers in brackets refer to the other side.

LEFT & RIGHT

Glue photo-etched fences to both sides of the resin nose (part number 12).

10 LEFT RIGHT WM



Paint insides of the air intakes H[21] off-white.



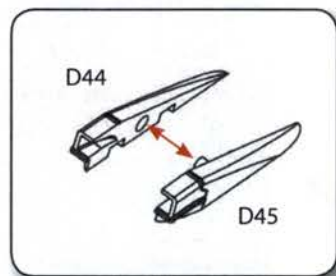
Add your nose according to the version you like to build.

8 C2 C7 C12

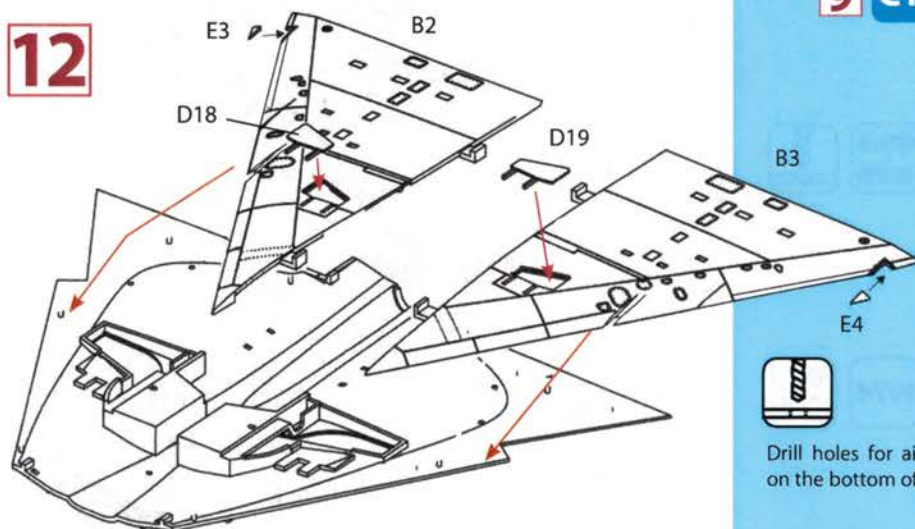


9 C10

11 x4

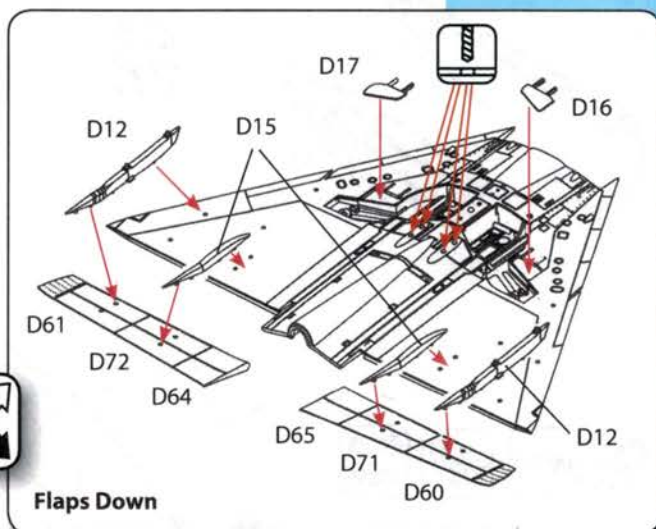
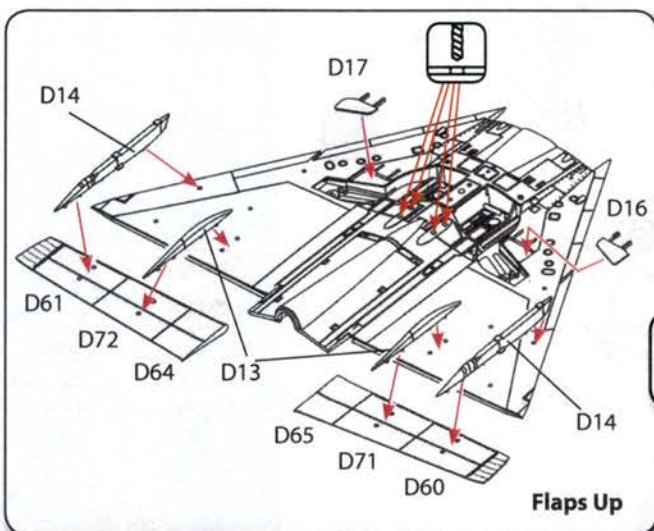


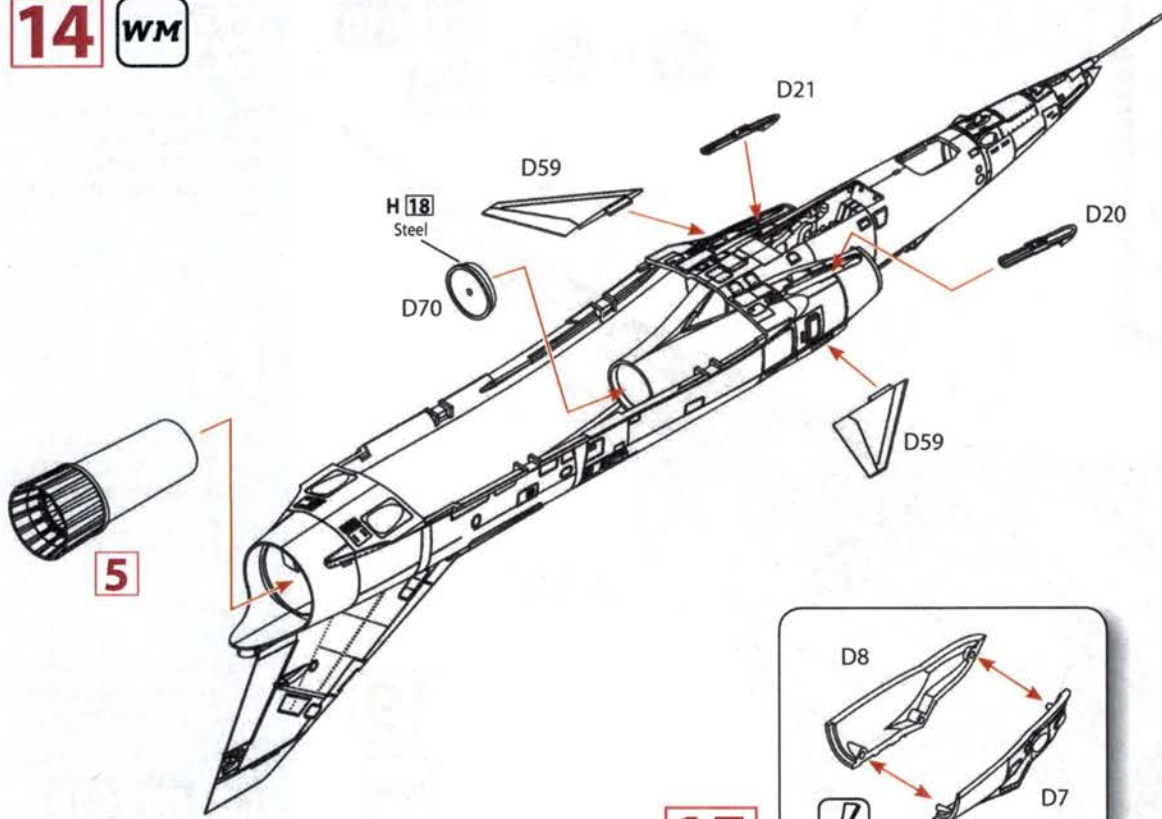
12



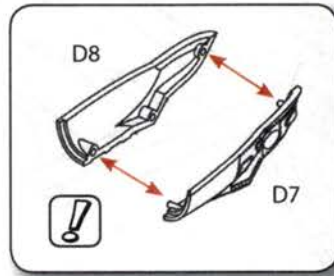
Drill holes for air scoops on the bottom of wings

13





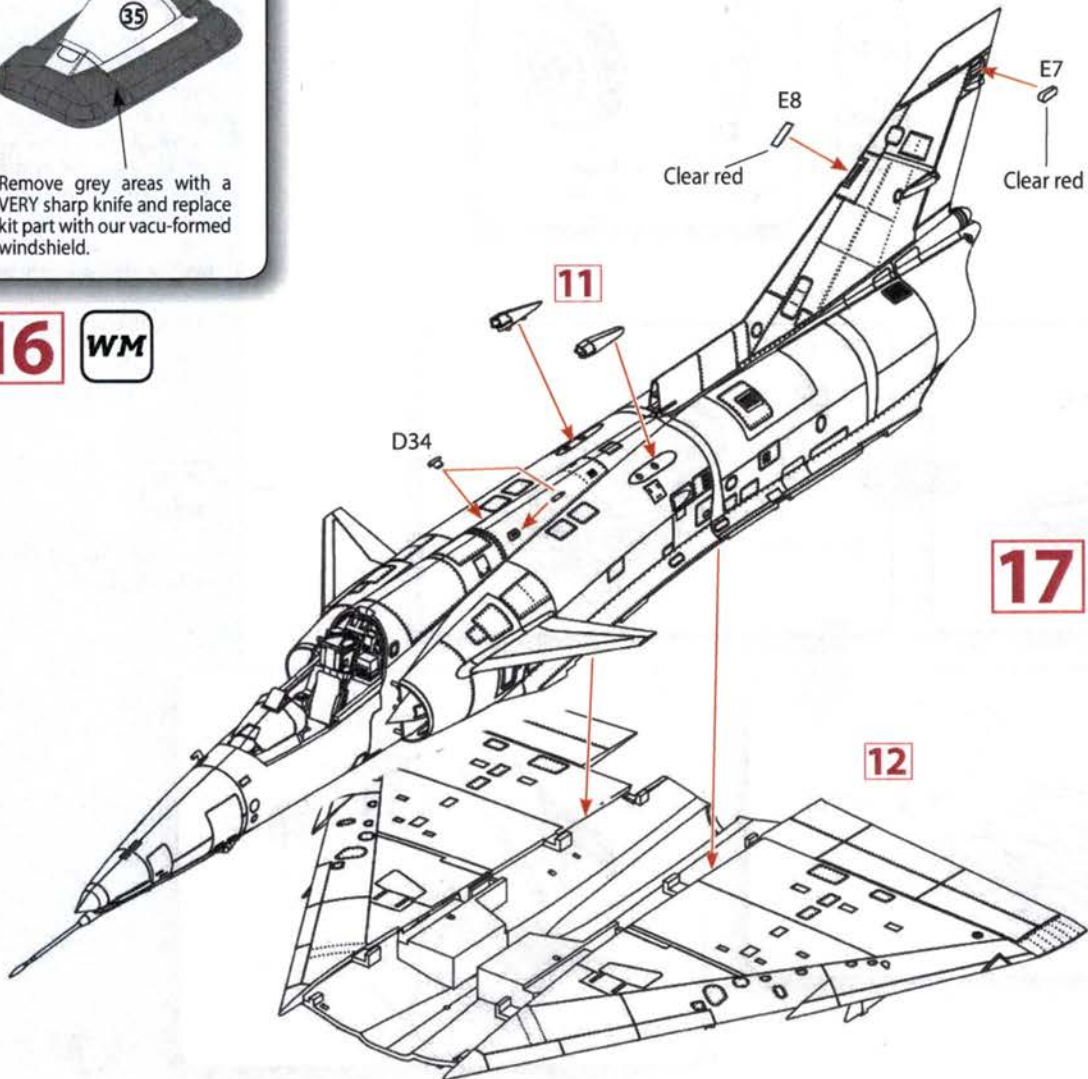
15



Use the kit parts to build the chaff/flare dispenser for all Kfir C.2, C.7 and the C.10 of Ecuador.

C2 C7 C10

Ecuador



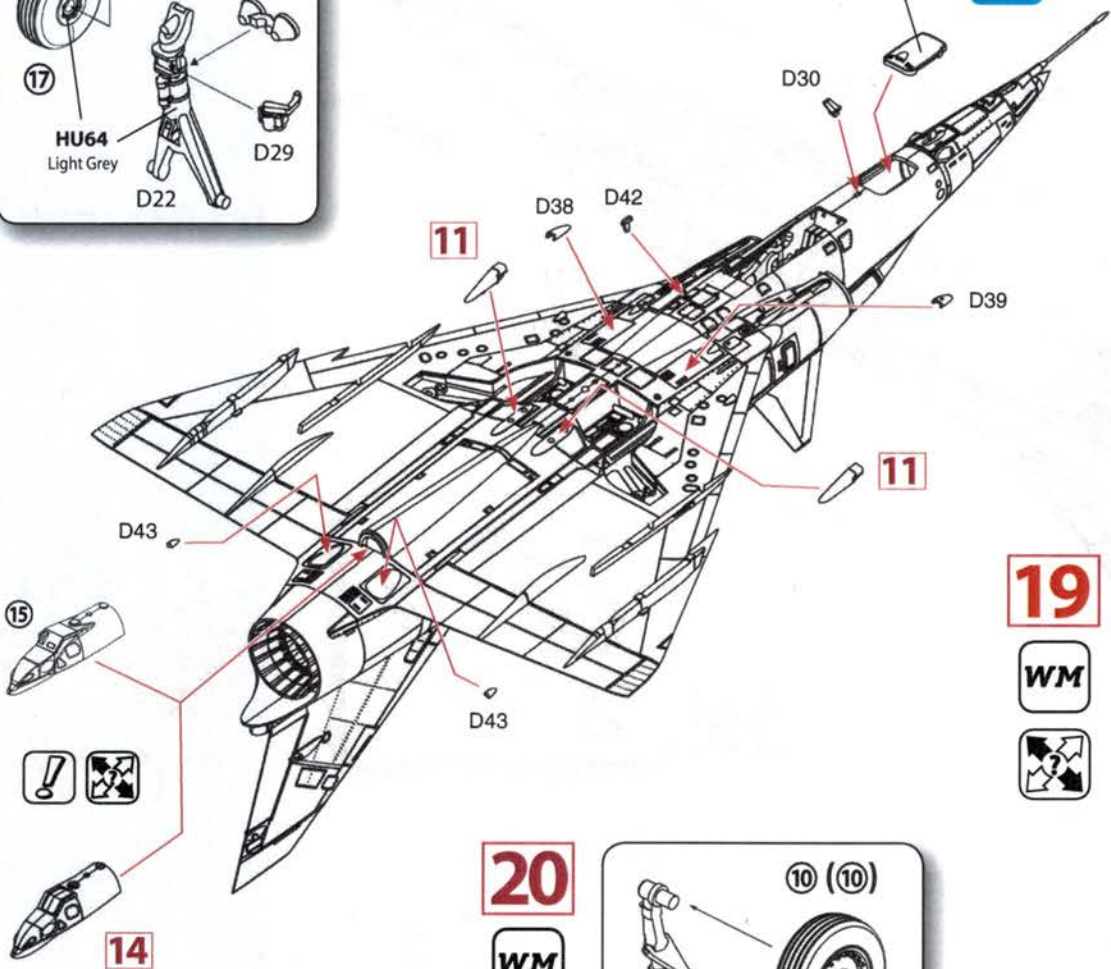
17

12



18 WM

C2 F1 G3 C7 C10 C12



Use the kit part F1 for any Kfir C.2 and kit part G3 for Kfir C.7, C.10 and C.12, independent from the user nation.



Use our resin part 15 for Kfir C.10 / C.12 of the Colombian Air Force.

C10 C12

Colombia

Use the chaff & flare dispenser from the kit for Ecuadorian Kfir C.2, C.7 and C.10.

19

WM

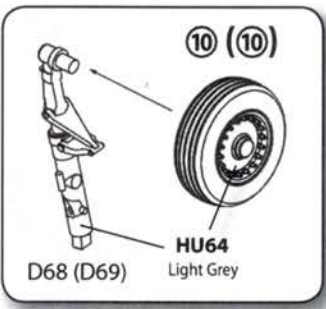


C2 C7 C10

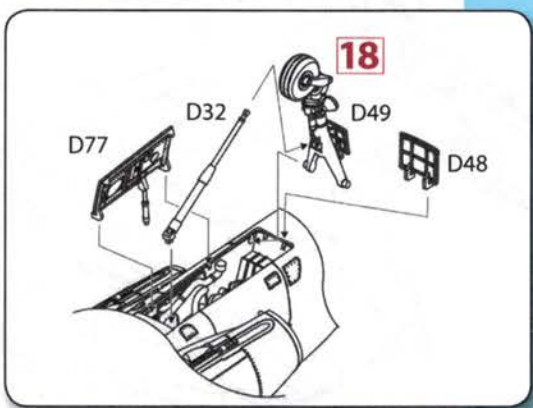
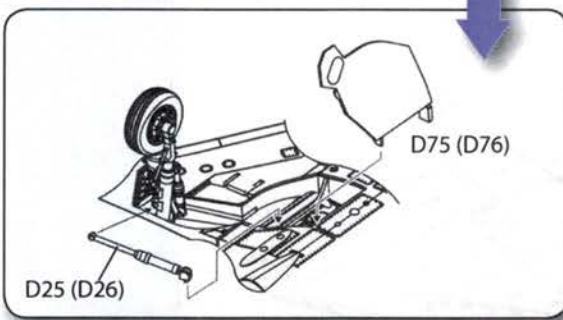
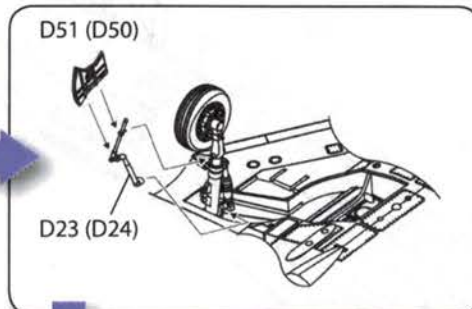
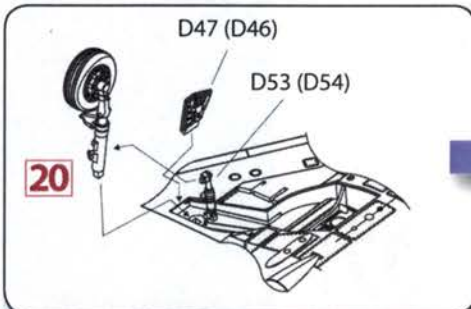
Ecuador

20

WM



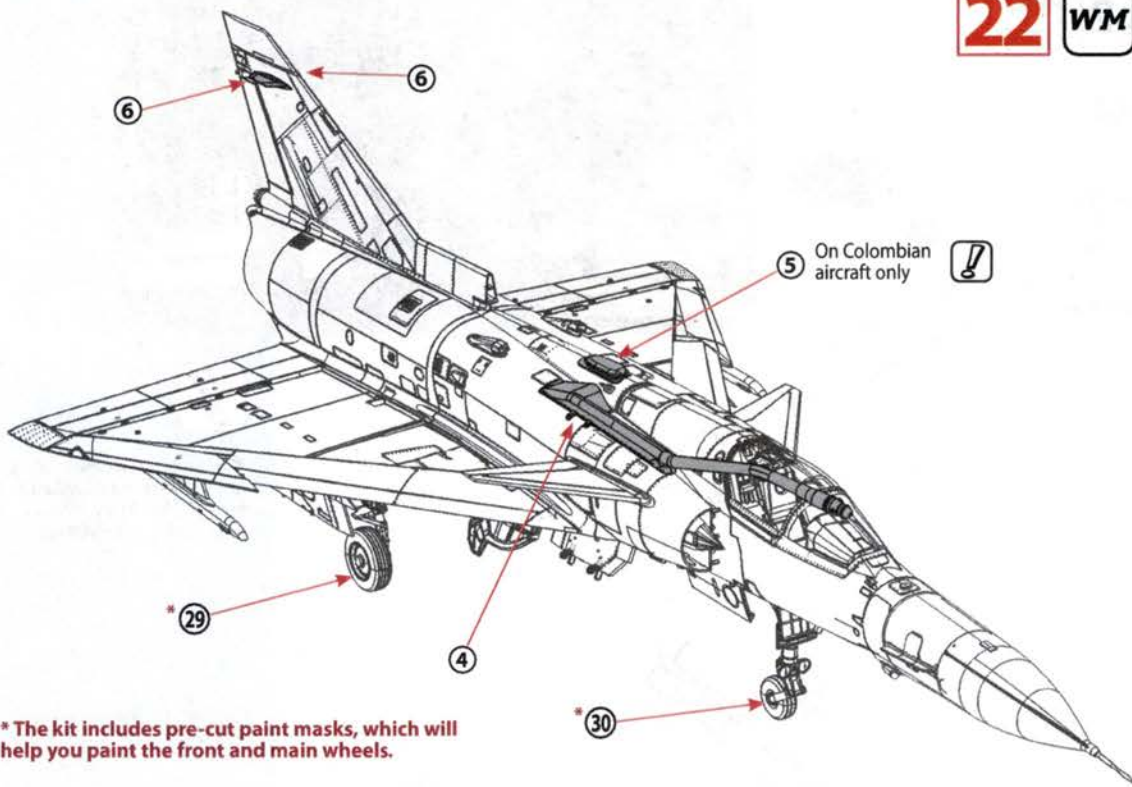
21



Paint all wheel hubs, front and main and landing gear HU 64 Light Grey. Oleos legs should be painted in H8 Silver and the tires H77 Tire Black. Our kit includes pre-cut masking paper, which will help you paint the front and main wheels.



Numbers in brackets refer to the other side.



* The kit includes pre-cut paint masks, which will help you paint the front and main wheels.



Resin parts for the Kfir C.10 and C.12. Please not that part 5 is only used on Colombian Kfirs.

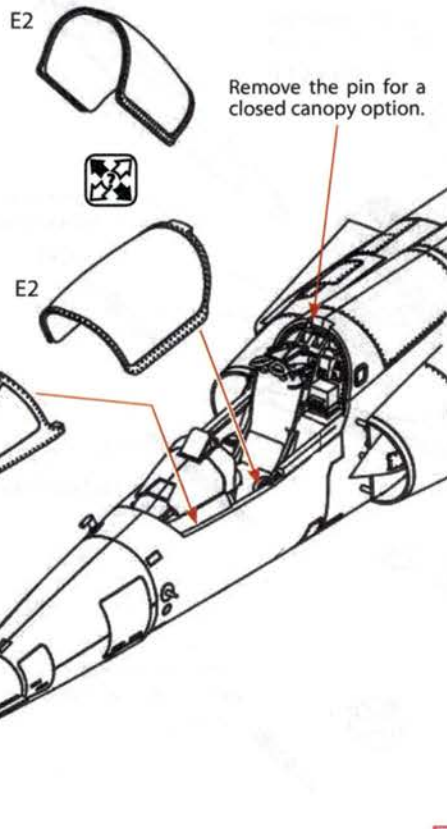
C10 C12



Paint front and main landing gear bays HU 64 Light Grey with some of the details in different colours. The insides of the landing gear doors where kept in the same colour – HU 64 Light Grey for the whole undercarriage.

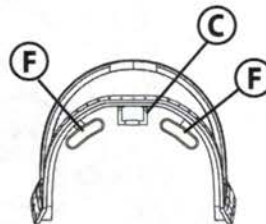
23

WM



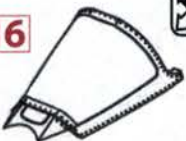
Remove the pin for a closed canopy option.

Etched parts inside the main canopy.

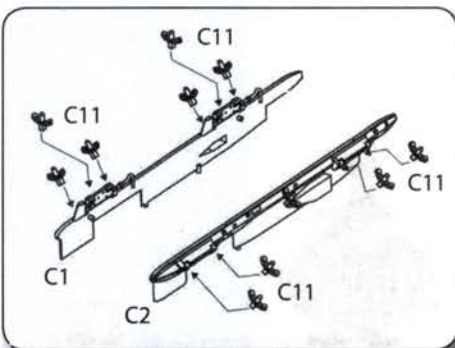


On the main canopy, first put masks 26 and 24, then 23 and 27 and finally 25.

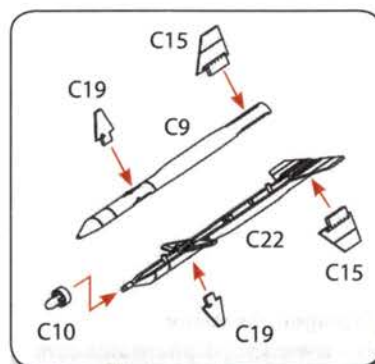
16



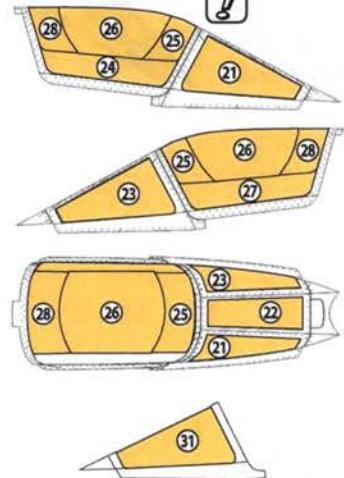
24



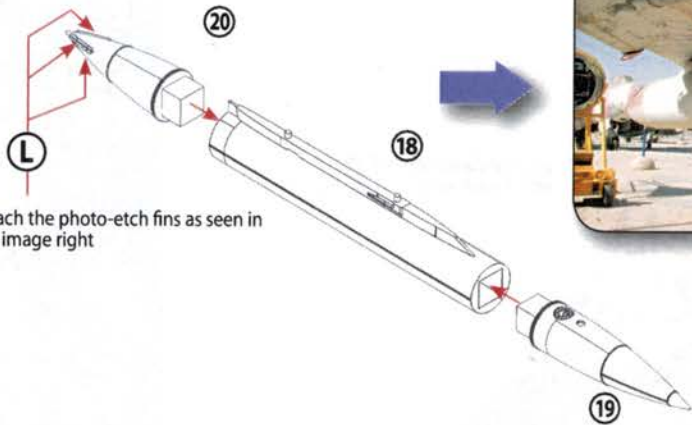
25 x2



Canopy masks



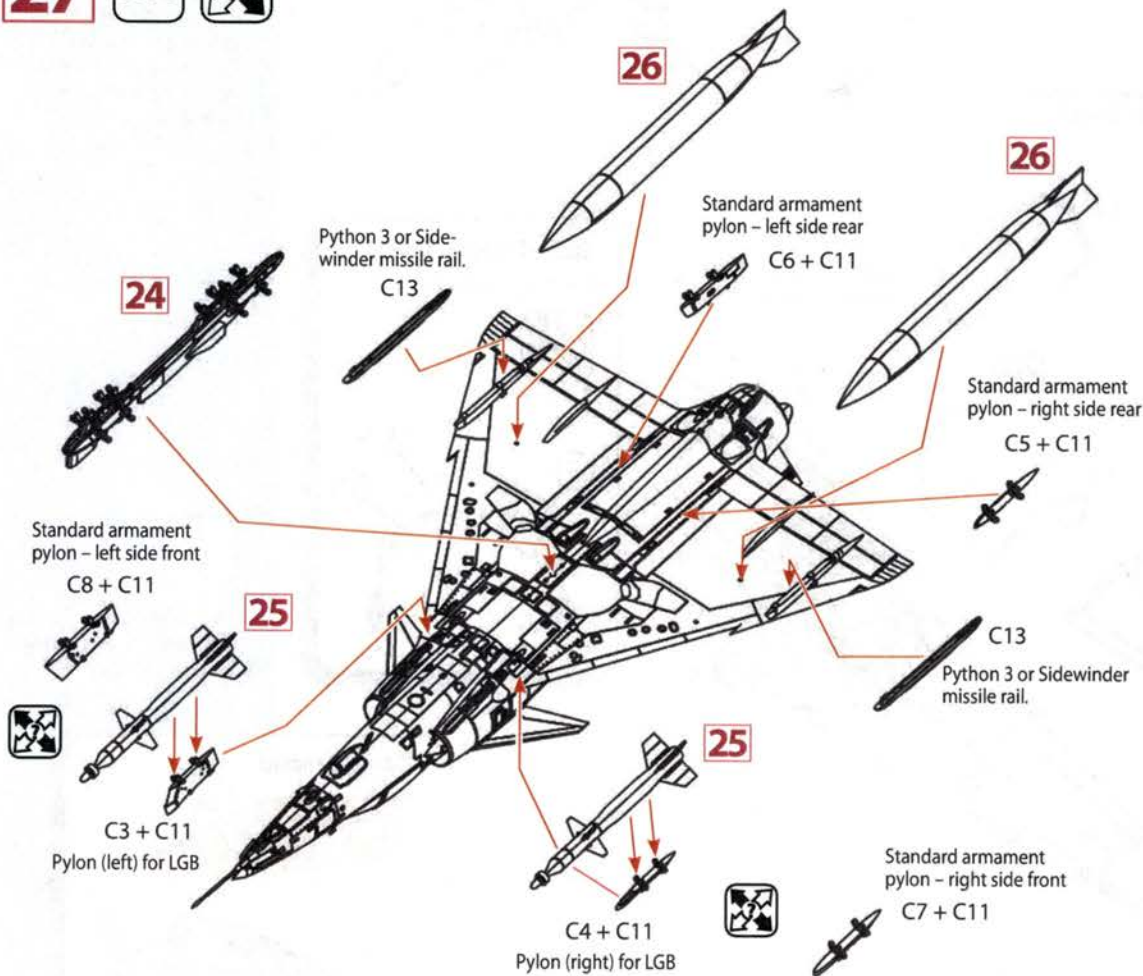
Mask for vacu-formed windshields of Kfir C.10 / C.12

26**WM****X2**

Attach the photo-etch fins as seen in the image right



The two supersonic fuel tanks, which are supplied in the kit, should be attached to the inner wing stations.

27**WM**

For high quality 1,300 l subsonic auxiliary fuel tanks as well as the ELTA 8222 ECM-pod refer to our Fix It! resin range, items no. WMF48013 and WMF48027.

These tanks can be found on our website: www.shop-ofphantoms.com

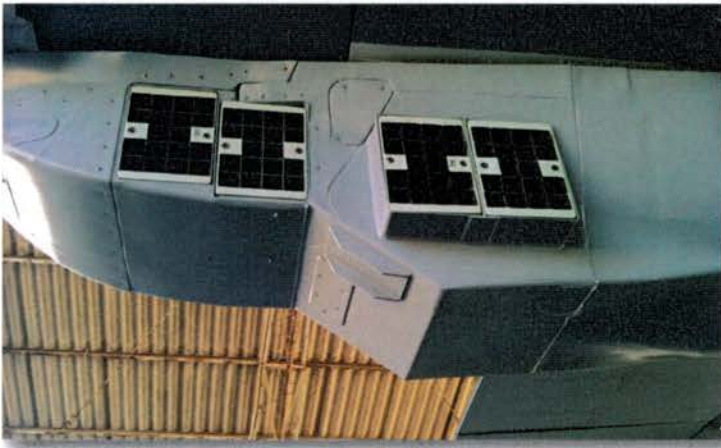


Wetterkreuz 13, 91058 Erlangen, Germany
© 2018 Wingman Models - www.shopofphantoms.com





Colombian Kfir C.12 – Photo by Andy Binks



Colombian Kfir C.10 at RED FLAG/Nevada – USAF Photo

Latin American KFIRs

Colors and decals guide



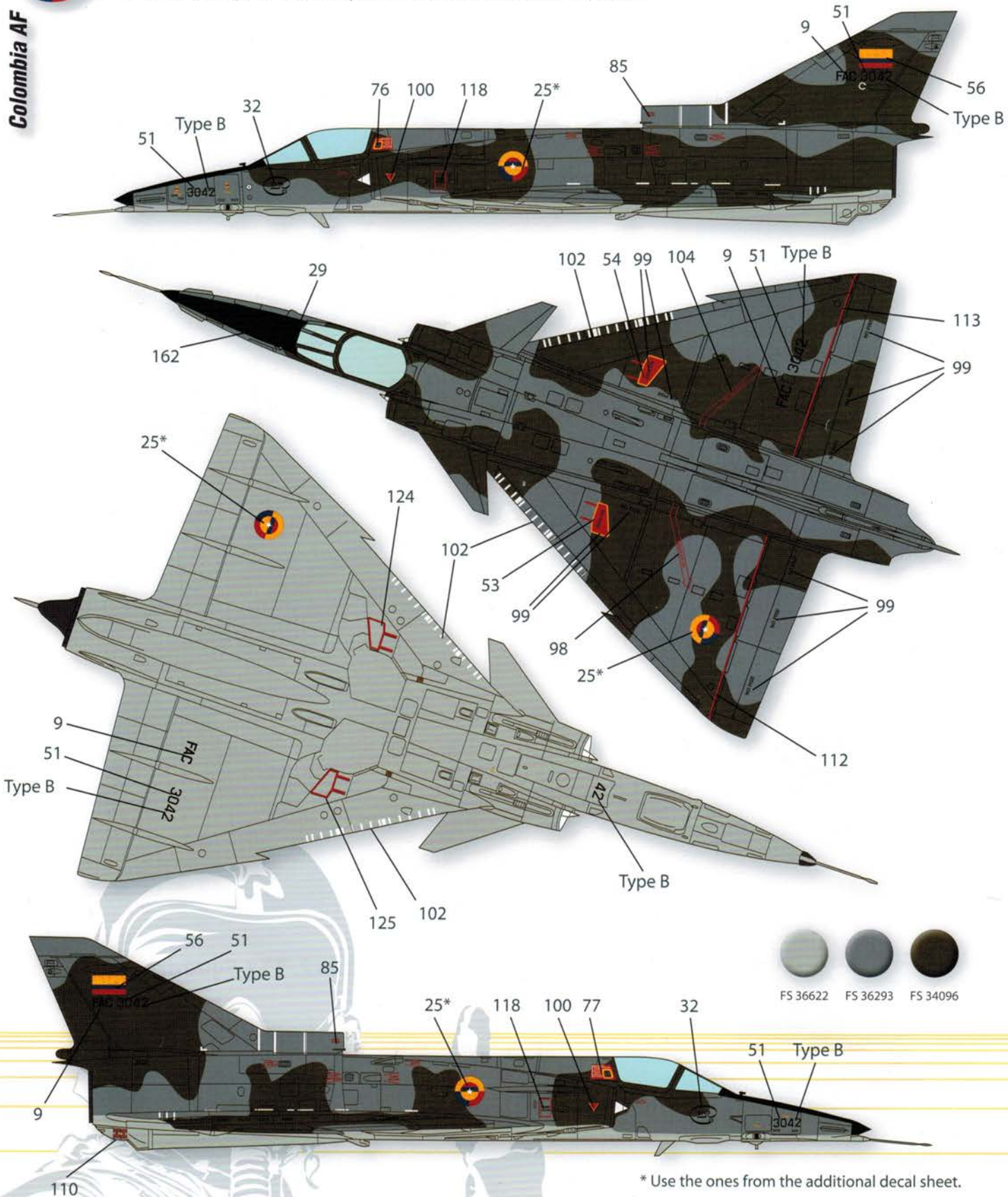
We are right beside you!



KFIR C2, FAC 3042, 111 Squadron, 1989.

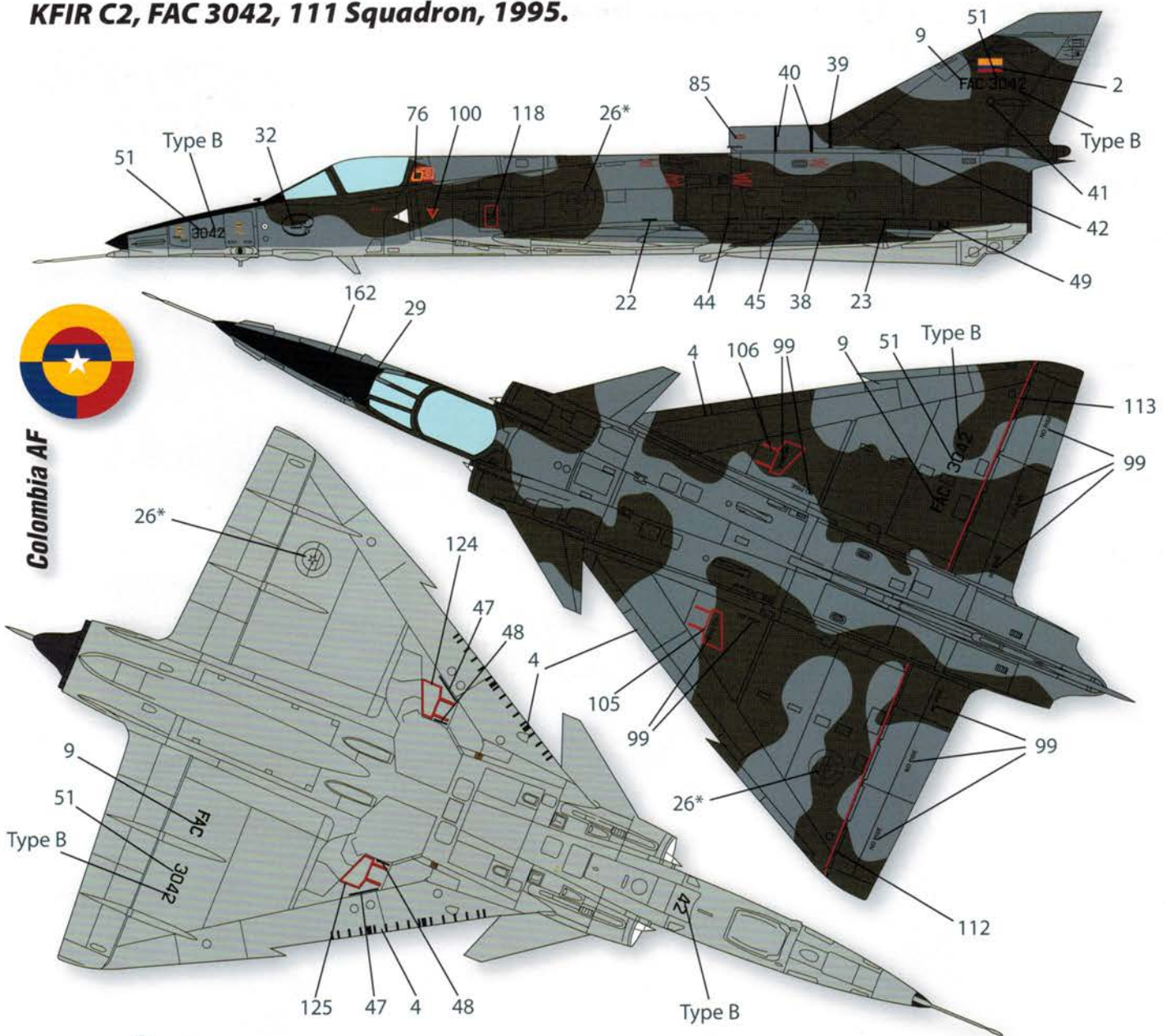
This is the initial paint scheme as painted at Israel Aircraft Industries in Israel.

Colombia AF



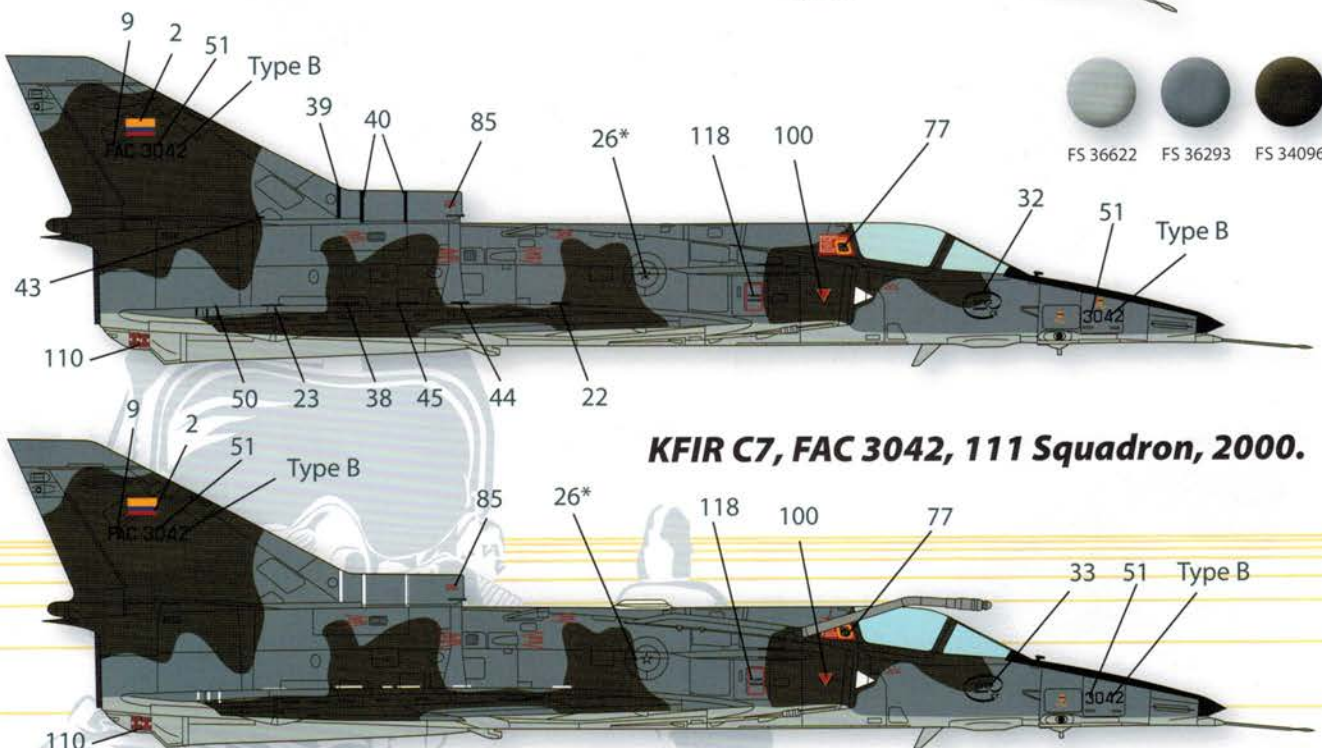
* Use the ones from the additional decal sheet.

KFIR C2, FAC 3042, 111 Squadron, 1995.



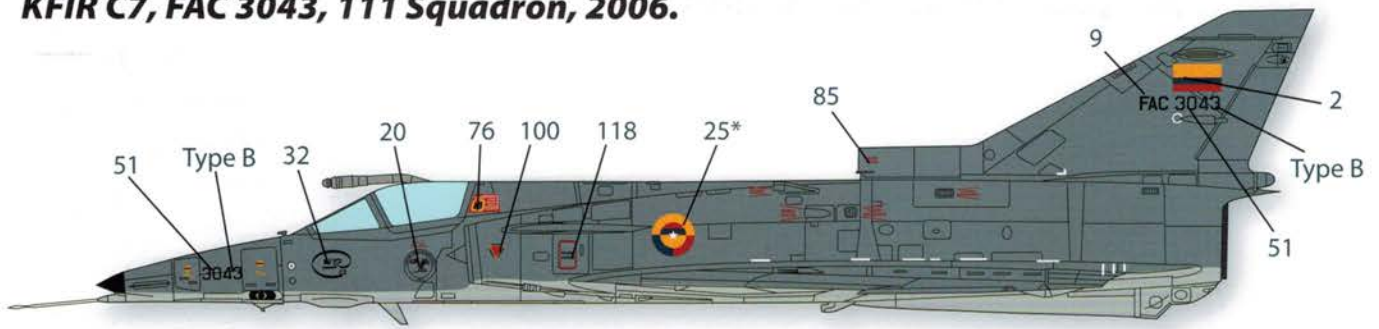
Colombia AF

KFIR C7, FAC 3042, 111 Squadron, 2000.

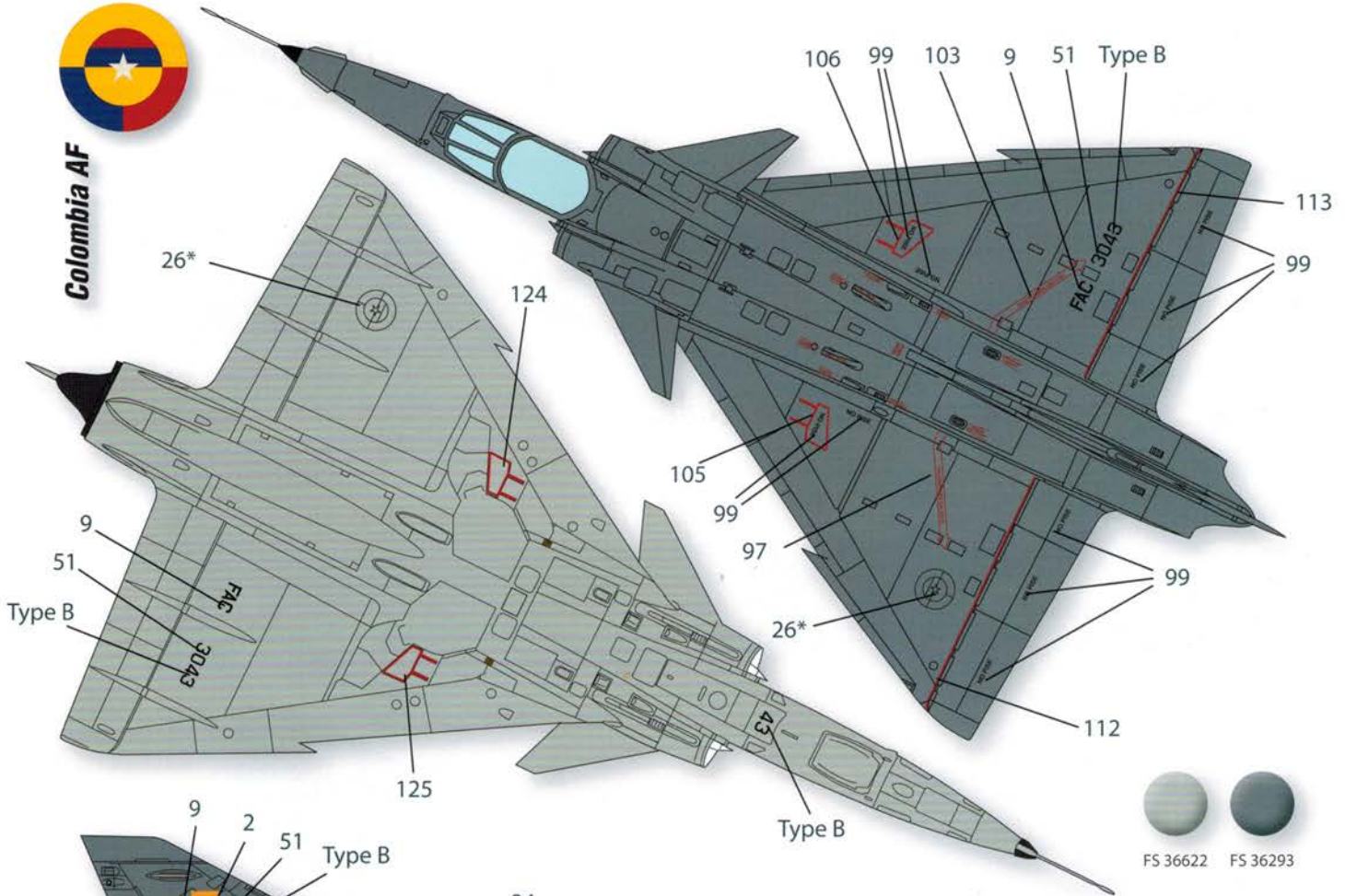


* Use the ones from the additional decal sheet.

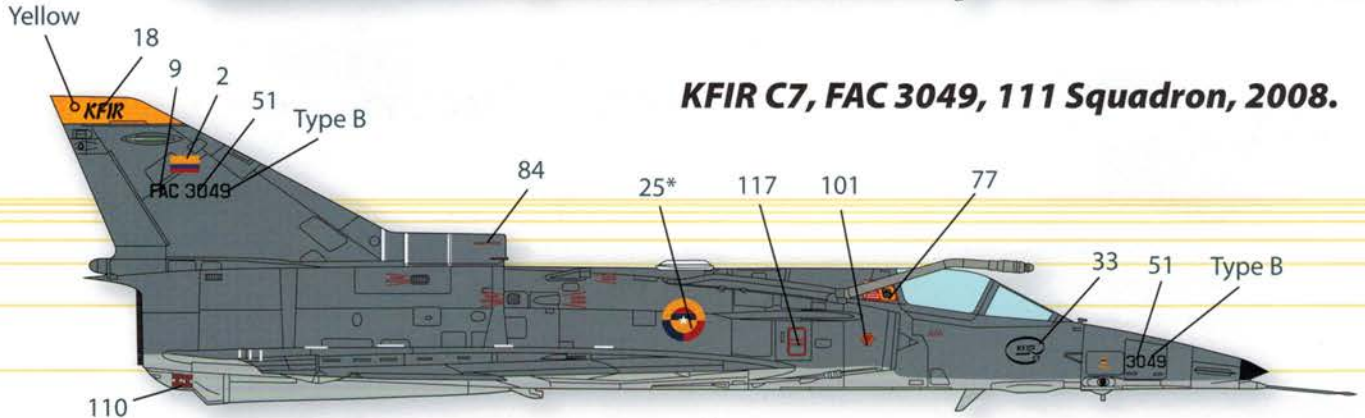
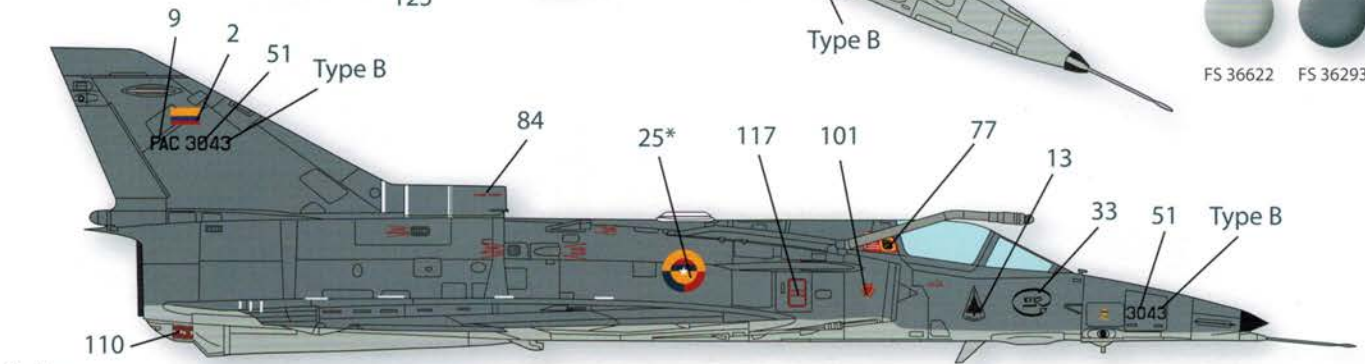
KFIR C7, FAC 3043, 111 Squadron, 2006.



Colombia AF



FS 36622 FS 36293

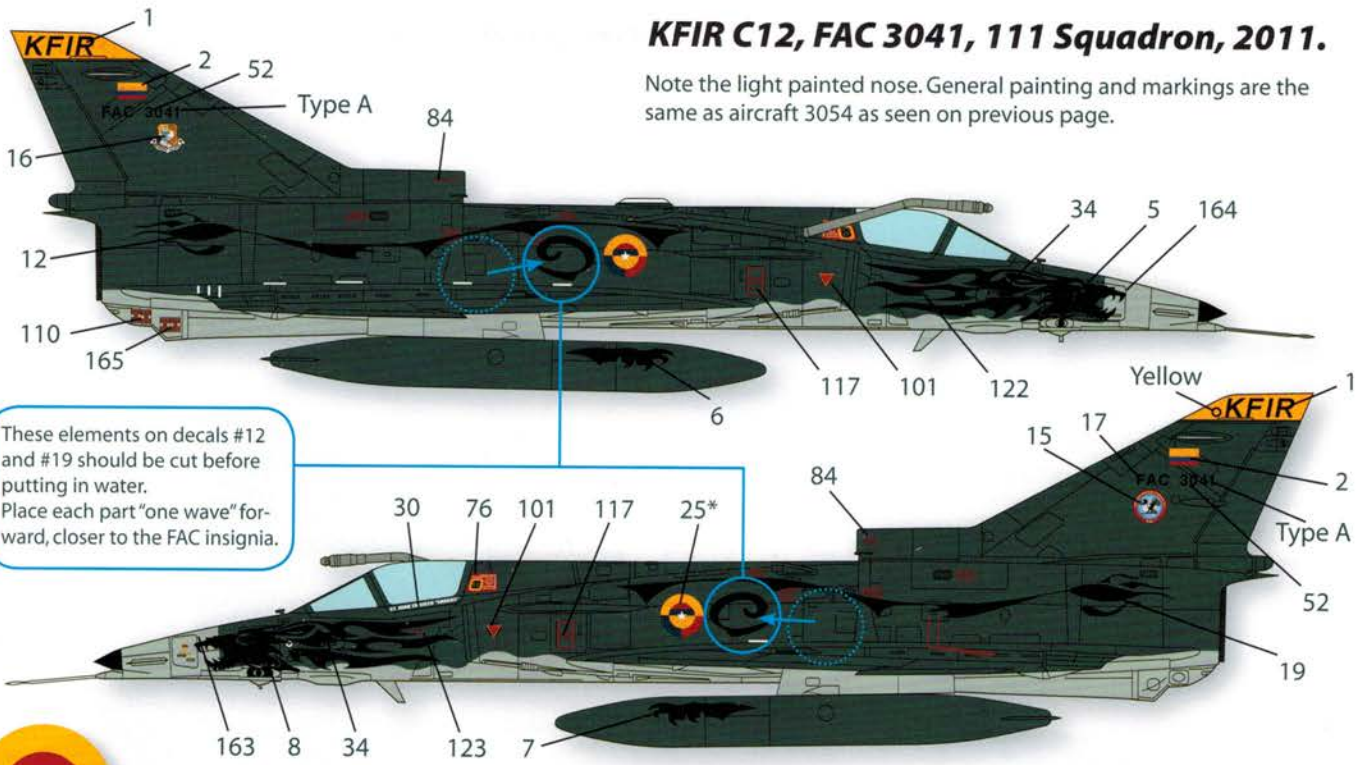


KFIR C7, FAC 3049, 111 Squadron, 2008.

* Use the ones from the additional decal sheet.

KFIR C12, FAC 3041, 111 Squadron, 2011.

Note the light painted nose. General painting and markings are the same as aircraft 3054 as seen on previous page.

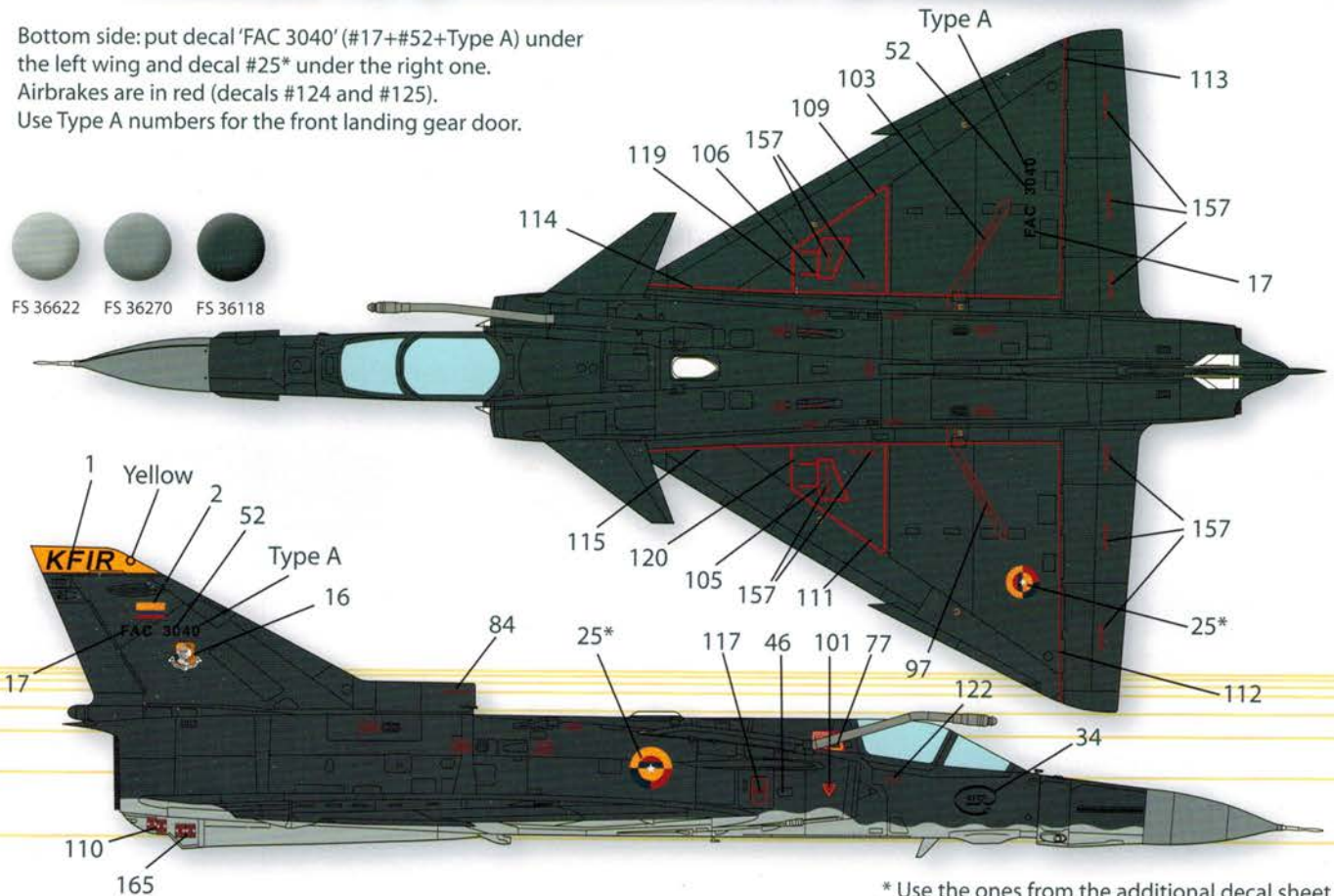


Colombia AF

KFIR C10, FAC 3040, 111 Squadron, 2013.



Bottom side: put decal 'FAC 3040' (#17+#52+Type A) under the left wing and decal #25* under the right one. Airbrakes are in red (decals #124 and #125). Use Type A numbers for the front landing gear door.



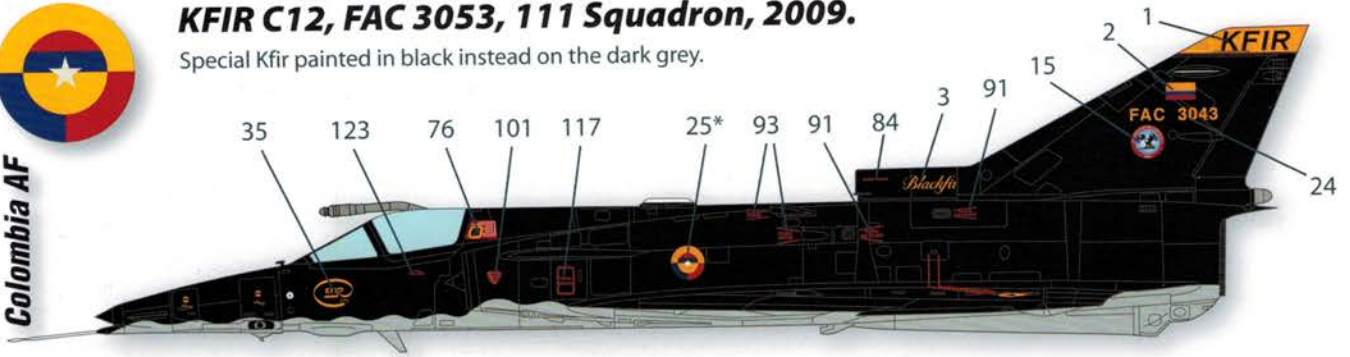
* Use the ones from the additional decal sheet.



Colombia AF

KFIR C12, FAC 3053, 111 Squadron, 2009.

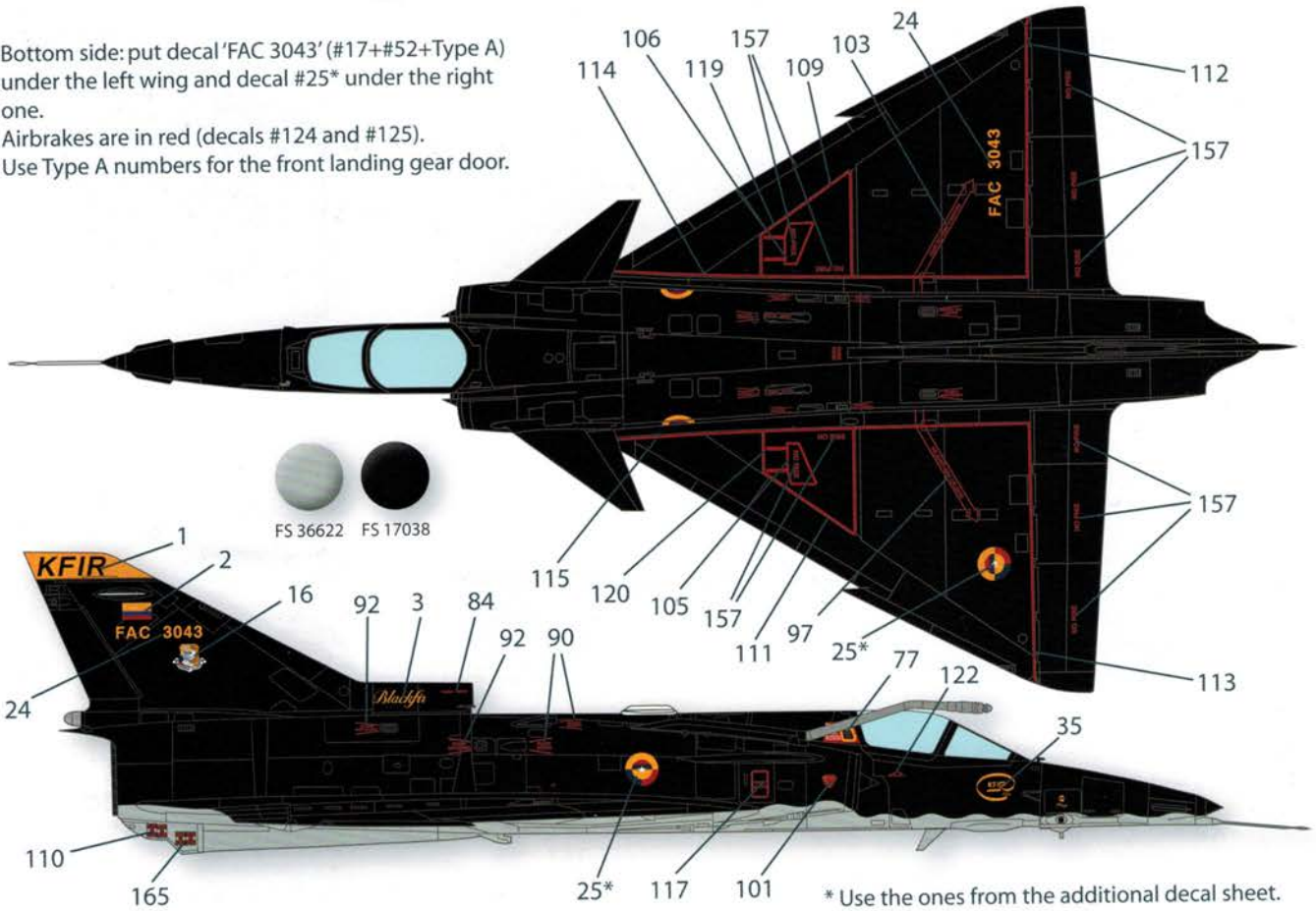
Special Kfir painted in black instead on the dark grey.



Bottom side: put decal 'FAC 3043' (#17+#52+Type A) under the left wing and decal #25* under the right one.

Airbrakes are in red (decals #124 and #125).

Use Type A numbers for the front landing gear door.



FS 36622 FS 17038

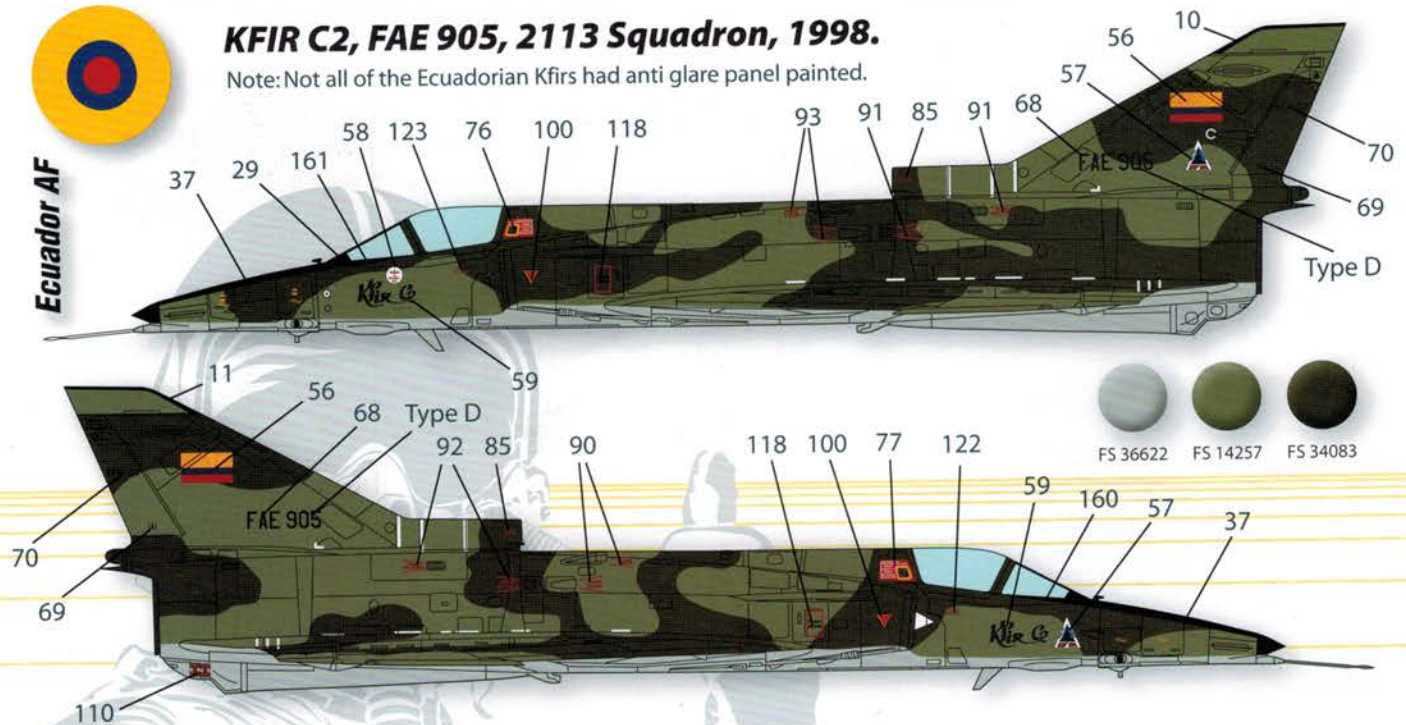
* Use the ones from the additional decal sheet.



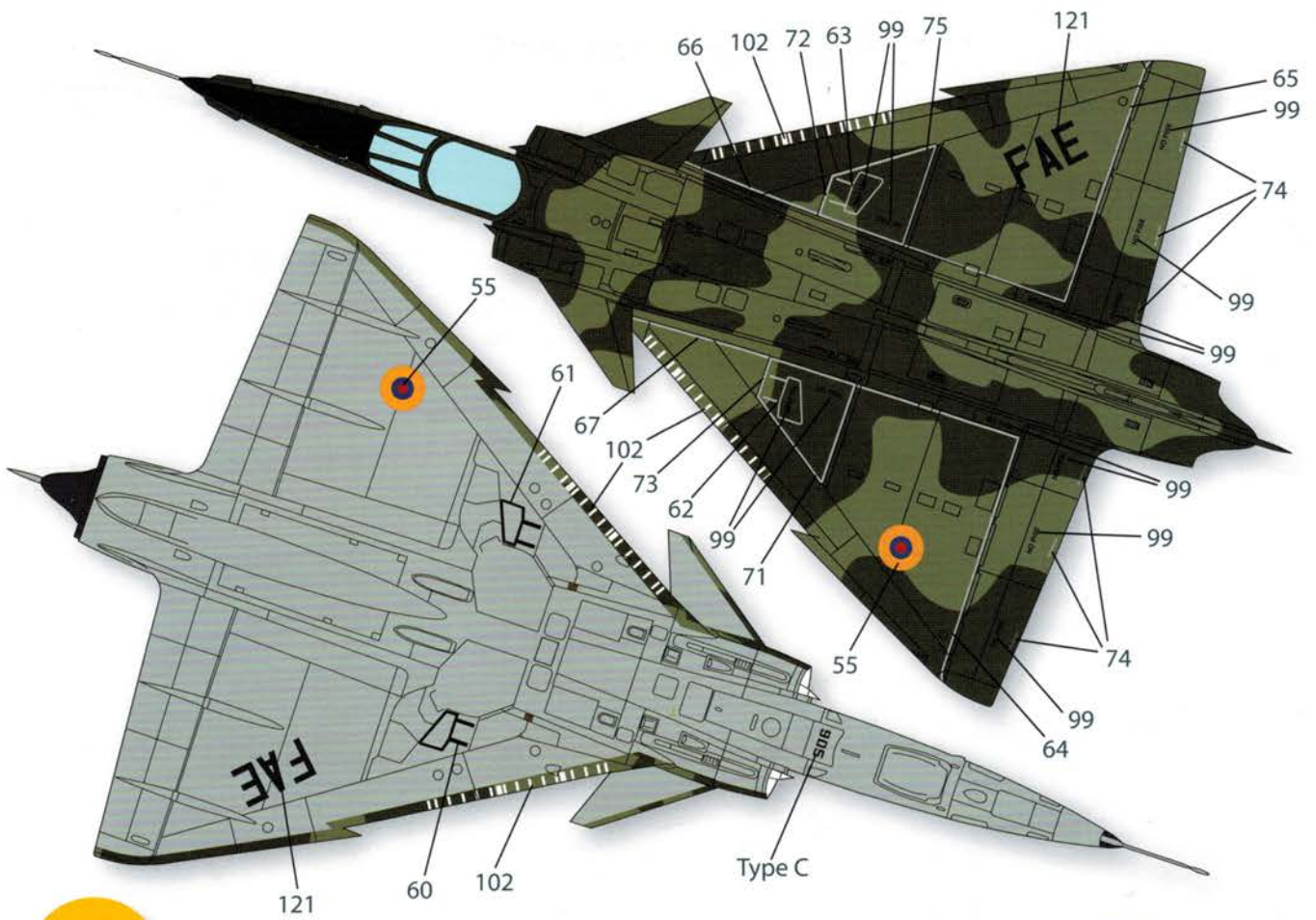
Ecuador AF

KFIR C2, FAE 905, 2113 Squadron, 1998.

Note: Not all of the Ecuadorian Kfirs had anti glare panel painted.

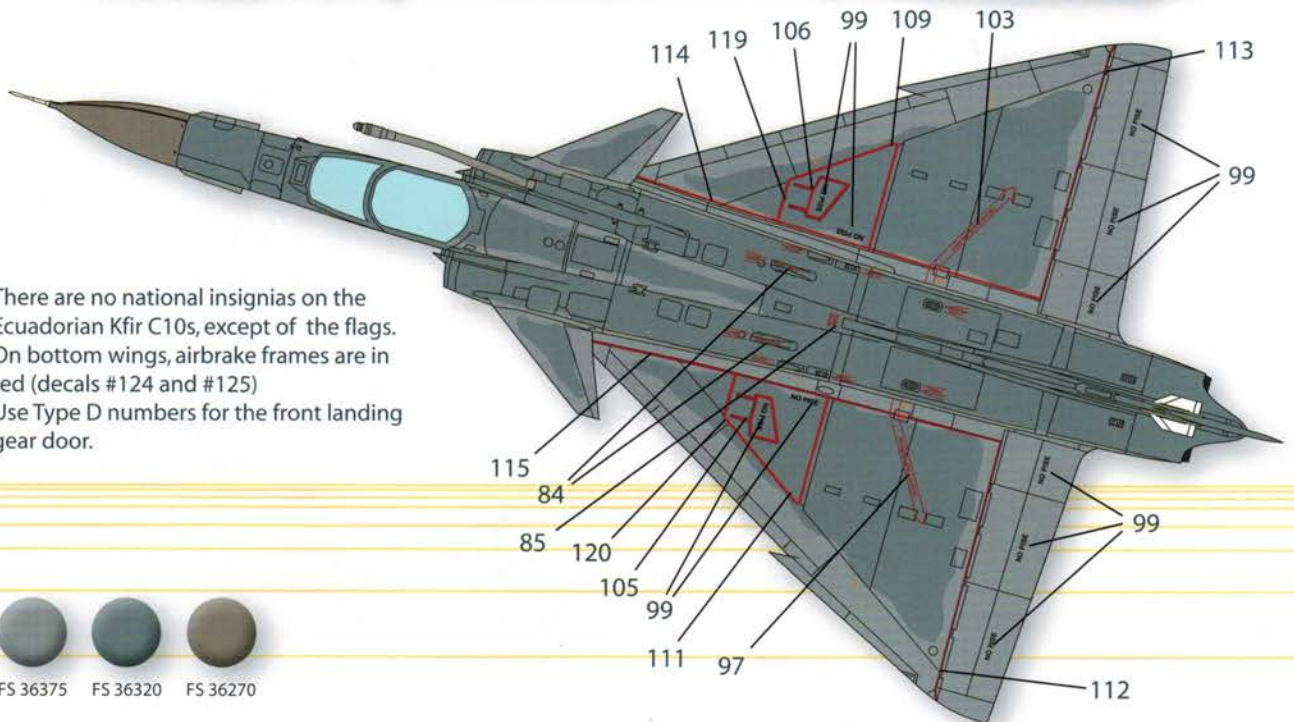
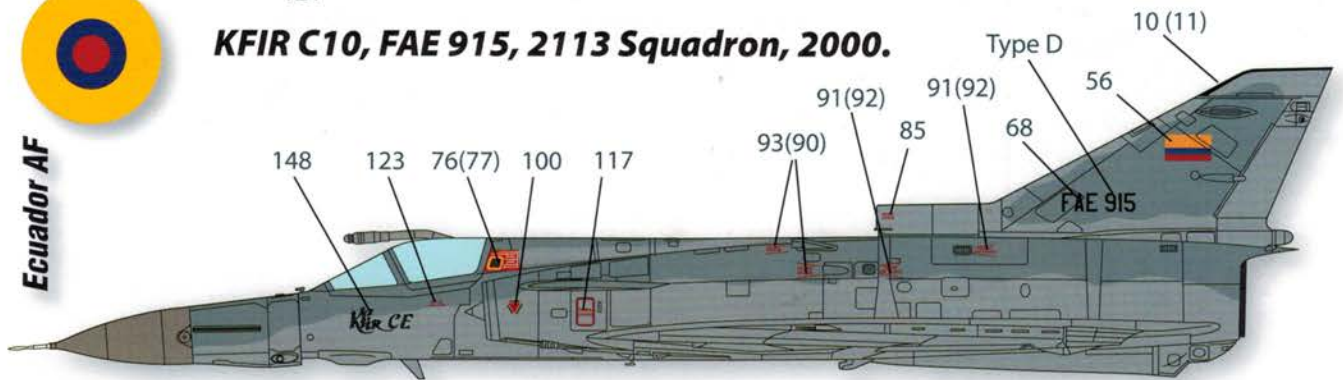


FS 36622 FS 14257 FS 34083



Ecuador AF

Kfir C10, FAE 915, 2113 Squadron, 2000.



There are no national insignias on the Ecuadorian Kfir C10s, except of the flags. On bottom wings, airbrake frames are in red (decals #124 and #125) Use Type D numbers for the front landing gear door.



FS 36375 FS 36320 FS 36270

