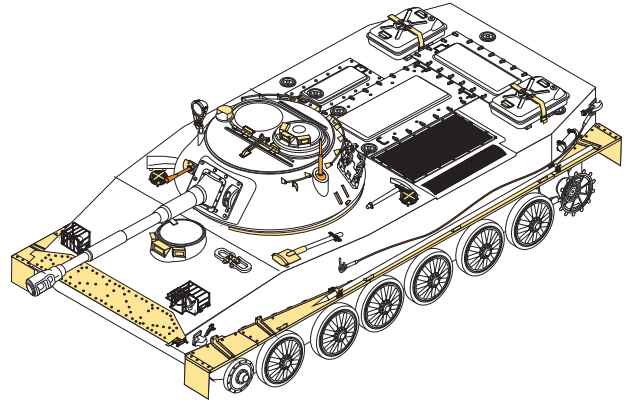
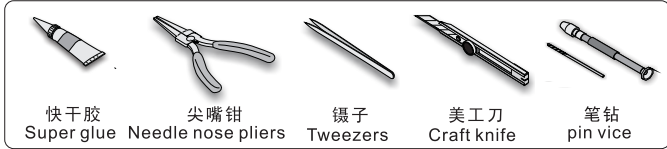


1/35 MILITARY MINIATURE VEHICLE UPGRADE SERIES PE35411

# WWII Russian/Poland PT-76B Amphibious Tank

## 俄罗斯/波兰PT-76B水陆坦克改造件

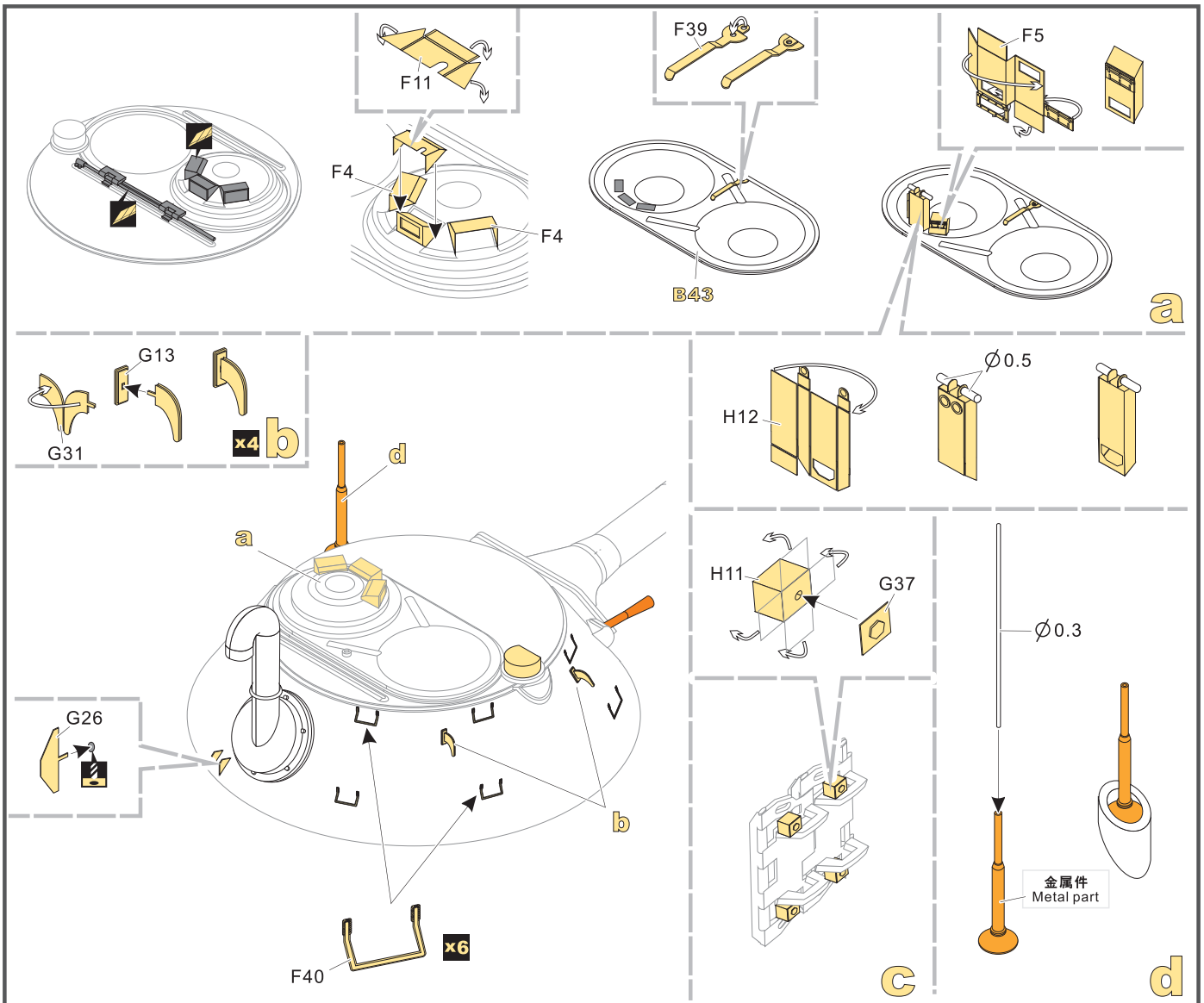
### 推荐使用工具 RECOMMENDED TOOLS



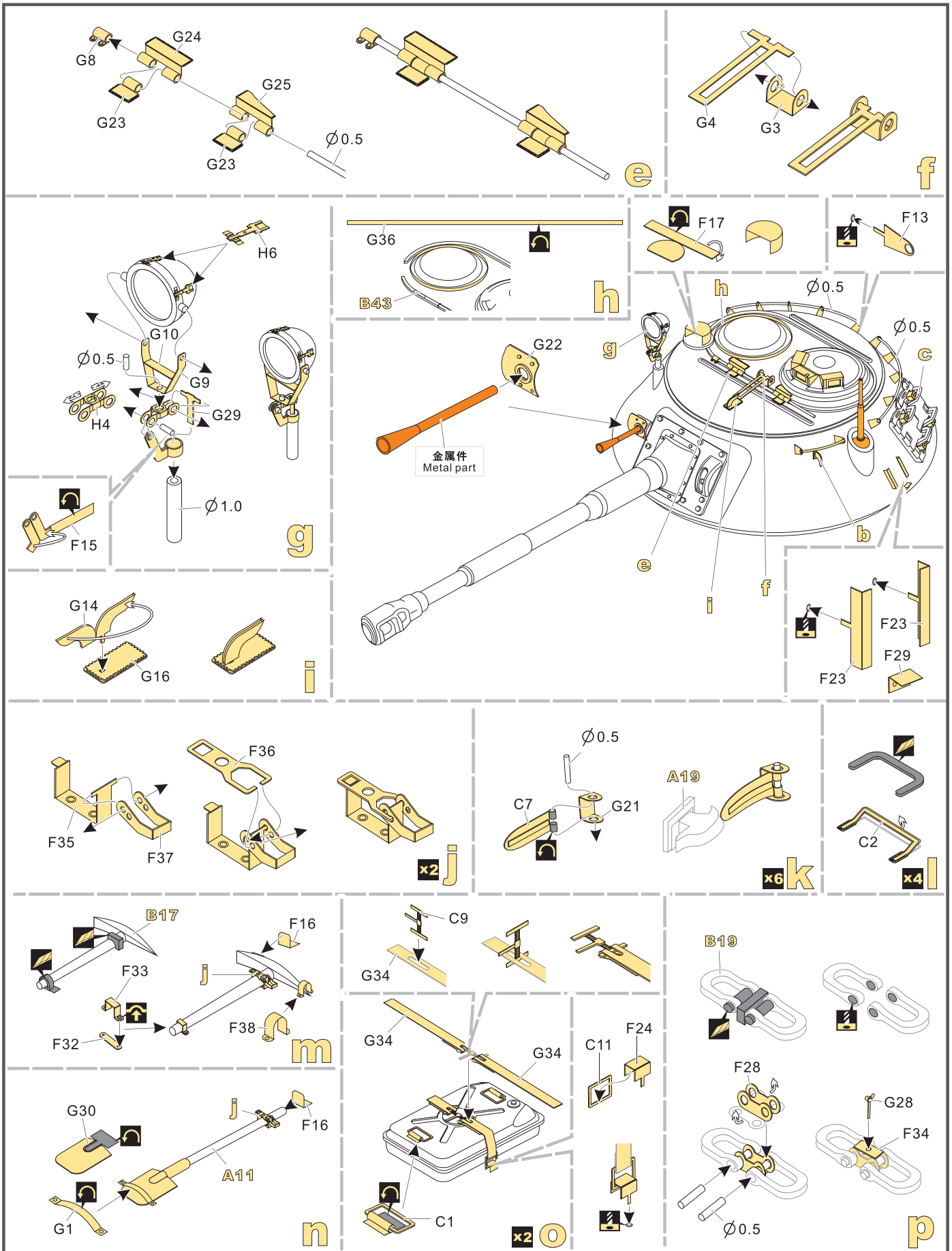
- ↑  
安装  
install
- ↙  
折叠  
bend
- A1**  
改造件零件编号  
PE/resin part number
- B12**  
原零件编号  
kit part number
- C22**  
被替换的原零件编号  
replaced kit part number
- 另一侧相同制作  
repeat on opposite side
- 切除  
remove
- 打磨  
grind off
- 弧度卷曲  
radial bending
- x2**  
制作若干组  
multiple assembly
- 选择安装  
alternative
- 钻孔  
drill
- 用胶棒制作  
make from plastic rod

用尖端在凹槽处冲压  
use penpoint to press on the dent

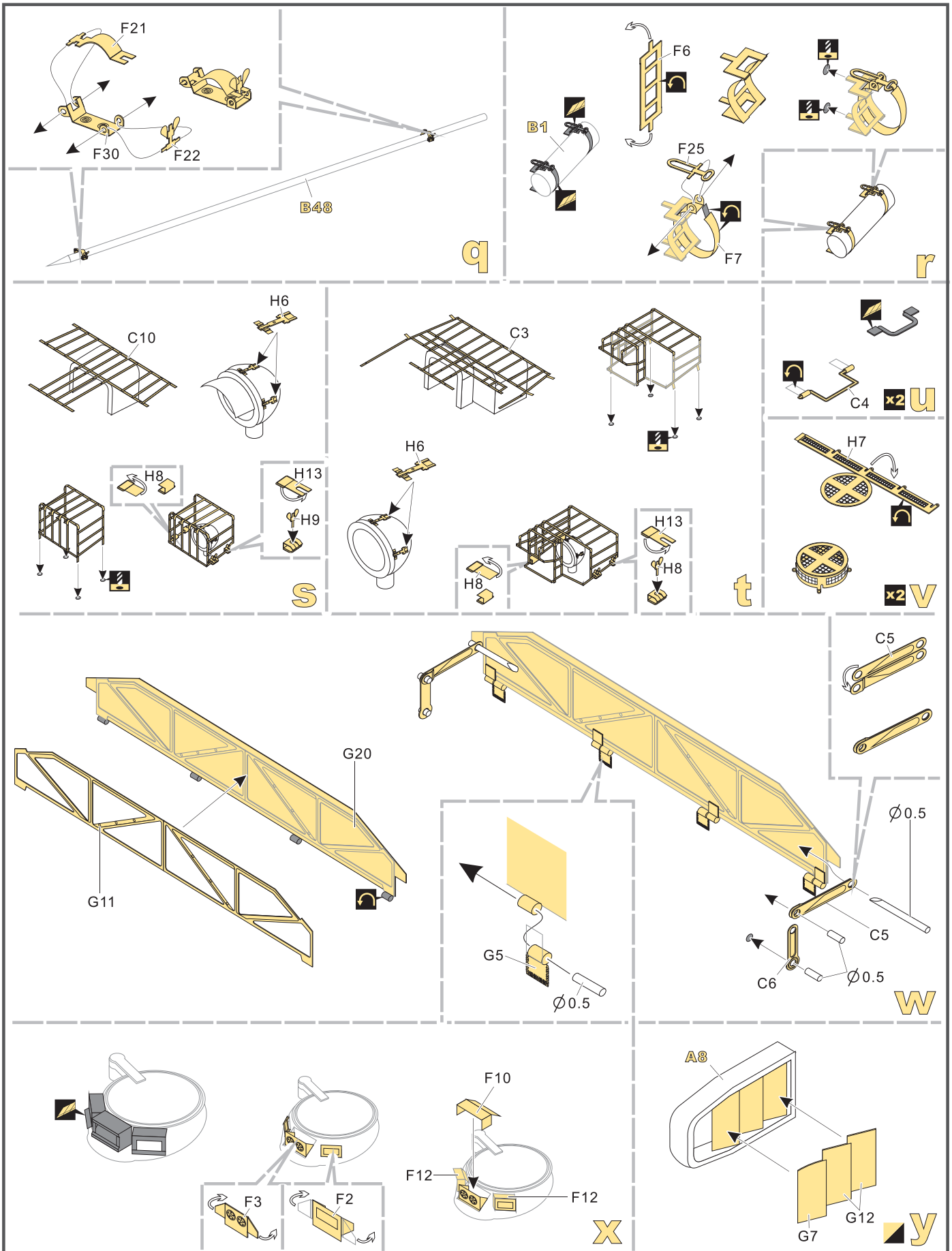
蚀刻片零件内侧面向上  
Put the part upside down  
用笔尖在凹槽处刺  
Use penpoint to press on the dent



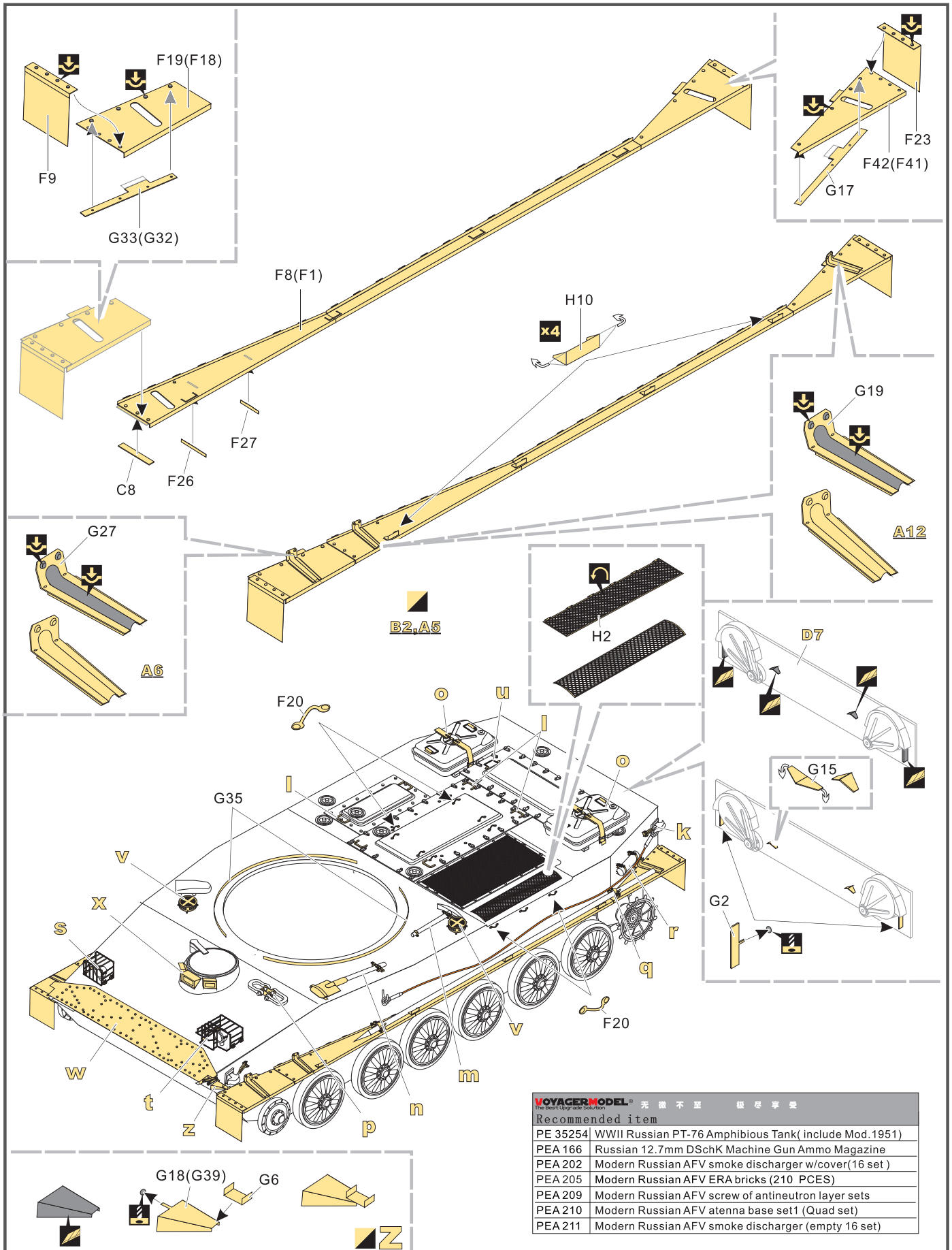
1/35 MILITARY MINIATURE VEHICLE UPGRADE SERIES PE35411



1/35 MILITARY MINIATURE VEHICLE UPGRADE SERIES PE35411



1/35 MILITARY MINIATURE VEHICLE UPGRADE SERIES PE35411



VOYAGERMODEL® 无微不至 极尽享受	
Recommended item	
PE 35254	WWII Russian PT-76 Amphibious Tank( include Mod. 1951)
PEA 166	Russian 12.7mm DSchK Machine Gun Ammo Magazine
PEA 205	Modern Russian AFV smoke discharger w/cover(16 set)
PEA 202	Modern Russian AFV ERA bricks (210 PCES)
PEA 209	Modern Russian AFV screw of antineutron layer sets
PEA 210	Modern Russian AFV antenna base set1 (Quad set)
PEA 211	Modern Russian AFV smoke discharger (empty 16 set)