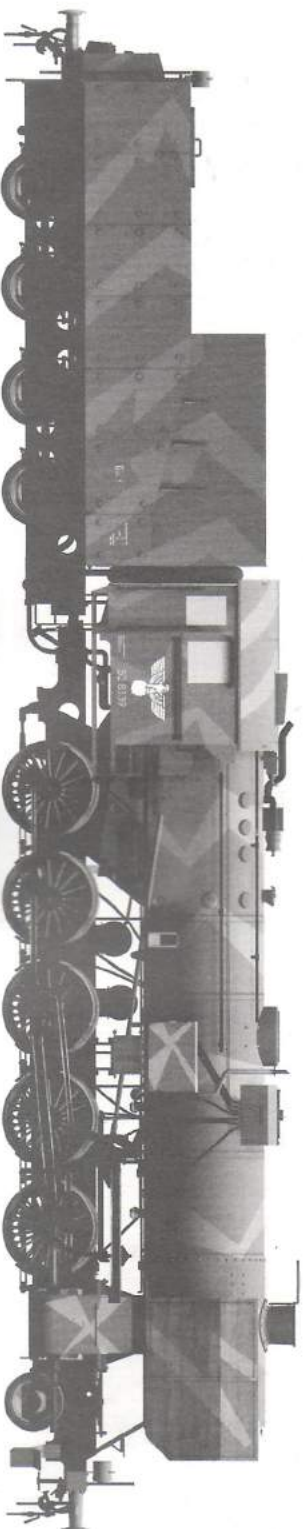


ITEM NO.00210



Baureihe 52 Mit Steifrahmentender

1:35 SCALE

BR52 型蒸汽机车

READ BEFORE ASSEMBLY

- Study and understand these instructions thoroughly before beginning assembly. Make sure all parts are included by comparing them to those shown on pages 2 to 4 of these instructions.
- Remove parts from sprues as needed, and trim excess with a hobby knife. Be careful not to lose small parts.
- Remove photo-etch parts from sprue as needed using a hobby knife or photo etch cutter.
- Apply cement to photo etch parts as shown on instructions. Applying too much cement will restrict the operation of these

- movable parts. Apply cement carefully! Removed photo etch parts can have sharp edges. Take care when handling these to avoid injury.
- Apply decals to necessary parts prior to assembly.
- Additional tools recommended(not included):Sprue cutter, Long nose pliers, hobby knife, file, tweezers, pin vise, scissors, cement, sandpaper, soft cloth, glue and paint.
- Keep all parts out of reach of children, as they pose a choking hazard.
- Discard all unnecessary bags and sprues when model is completed to avoid accidental injury.

装配之前仔细阅读

- 小心用模型锉刀锉平所有零件表面的注射浇口。
- 小心用刀片切下蚀刻片零件，不要遗失小零件。
- 用强力快干胶水粘合蚀刻片零件和金属轴。过量的快干胶水使用可能导致可动零件会粘住，小心涂胶。
- 取蚀刻片时应特别注意安全，防止利边划伤手指。
- 某些零件表面需贴上火贴纸，请选择在装配的同时进行。
- 推荐模型工具(自备)：胶水、水口剪刀、长咀钳、刀片、锉刀、镊子钳、钻、剪刀、瞬间快干胶。
- 软布同砂纸同时也应该是必备工具。
- 请使用塑料胶水和油漆，模型内不含。
- 谨防小孩吸吮塑料零件，或者将塑料袋套在头上，制作时应将套材远离小孩接触。

水贴纸的使用：

- 1.从水贴上剪下印花；
- 2.将印花放入温水中浸10秒，然后放在干净布上。
- 3.拿着印花纸板将印花移到模型上；
- 4.手指蘸水将印花移到适当的位置；
- 5.用软布轻压印花直至水干，汽泡消失。

DECAL APPLICATION

1. Cut off decal from sheet.
2. Dip the decal in tepid water 40°C for about 10 sec. and place on a clean cloth.
3. Hold the backing sheet edge and slide decal onto the model.
4. Move decal into position by wetting decal with finger.
5. Press decal gently down with a soft cloth until excess water and air bubbles are gone.



cyanoacrylate glue
使用强力胶



weight
配重



make hole
钻孔



cut / remove
切除



option
选择



no cement
不涂胶水



decal
贴纸

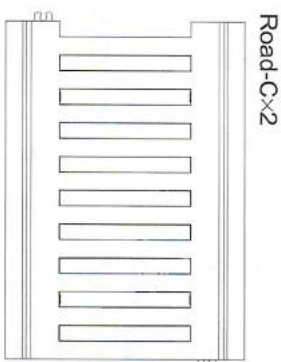
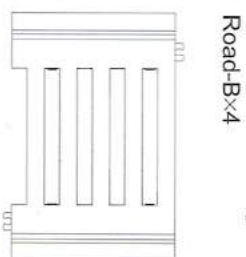
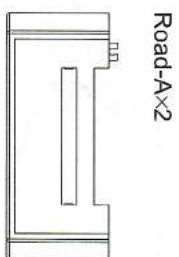
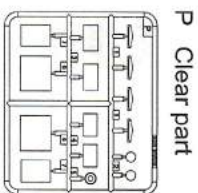
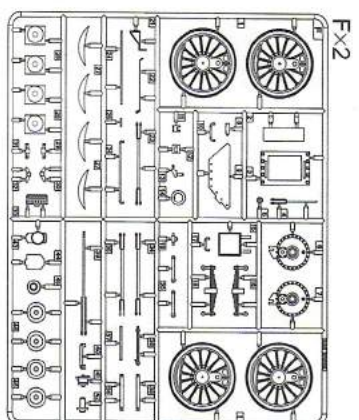
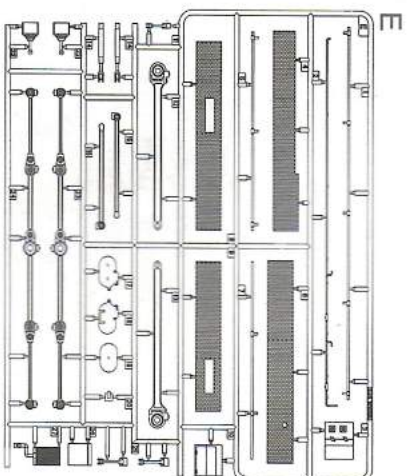
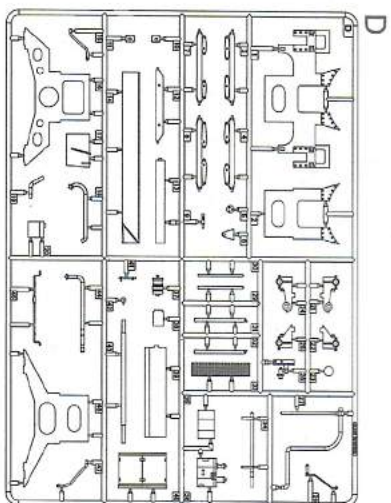
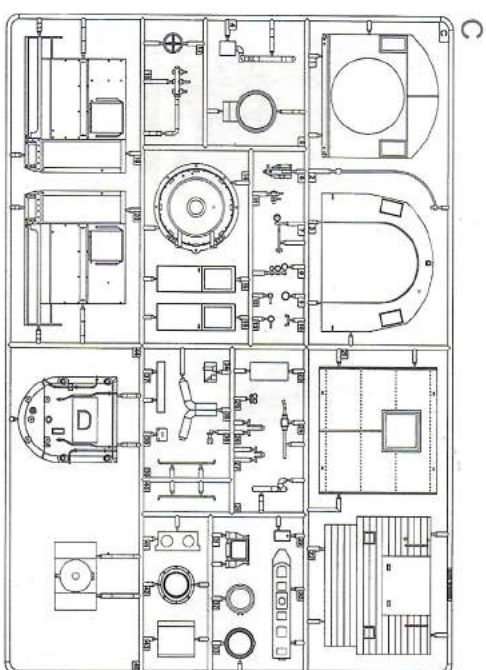
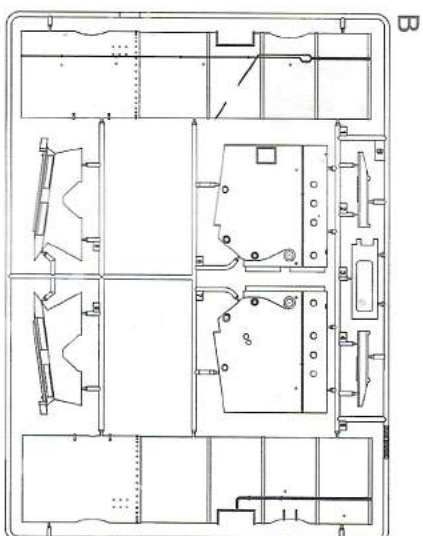
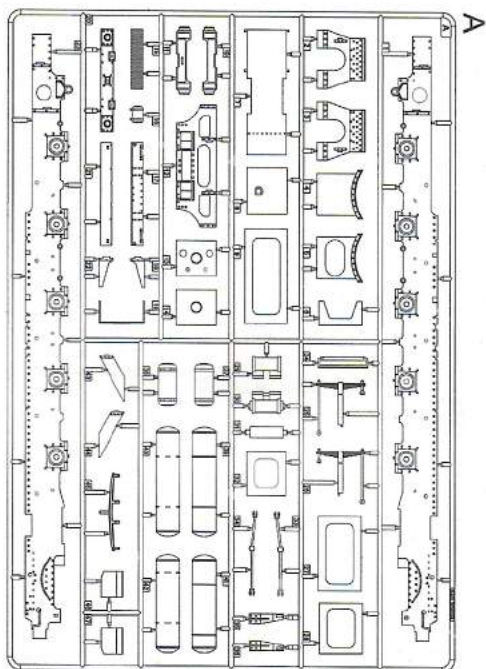


bend
弯曲

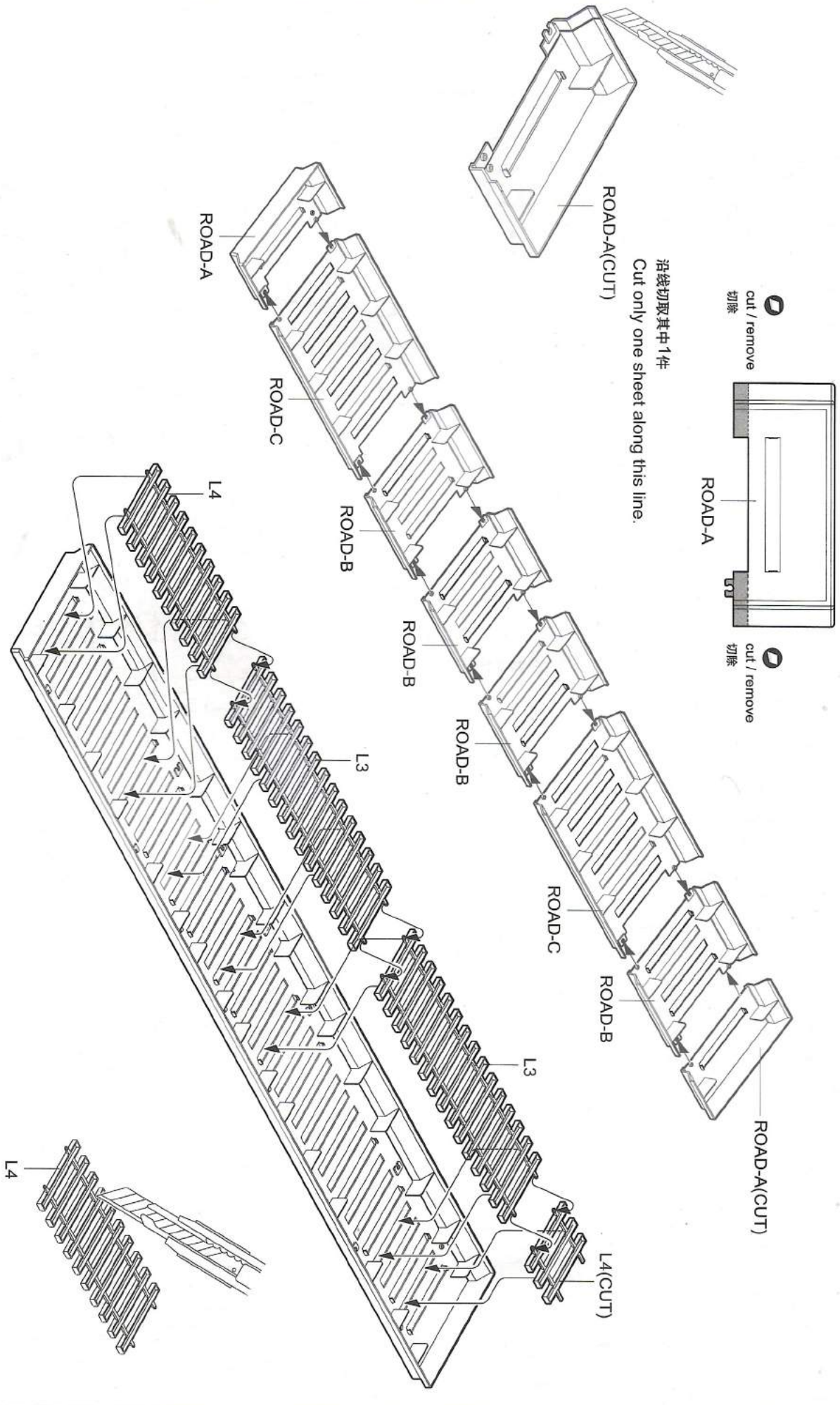


file / sand
锉平

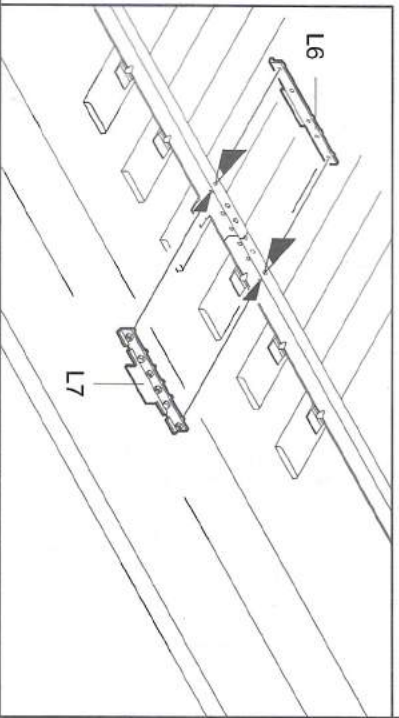
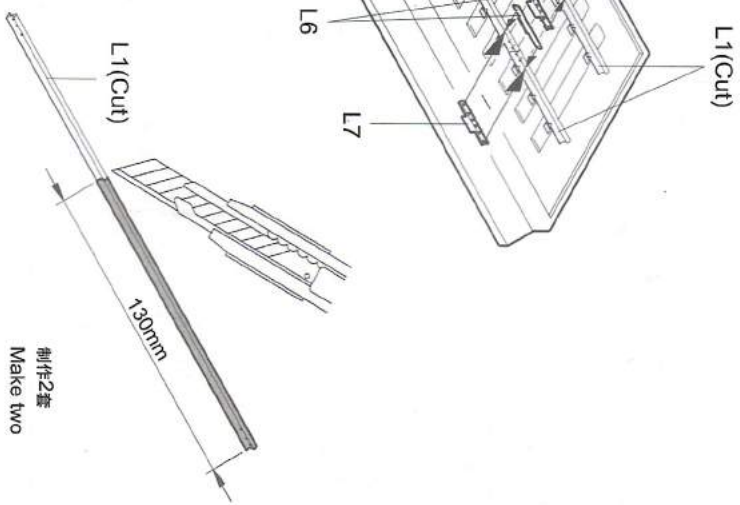
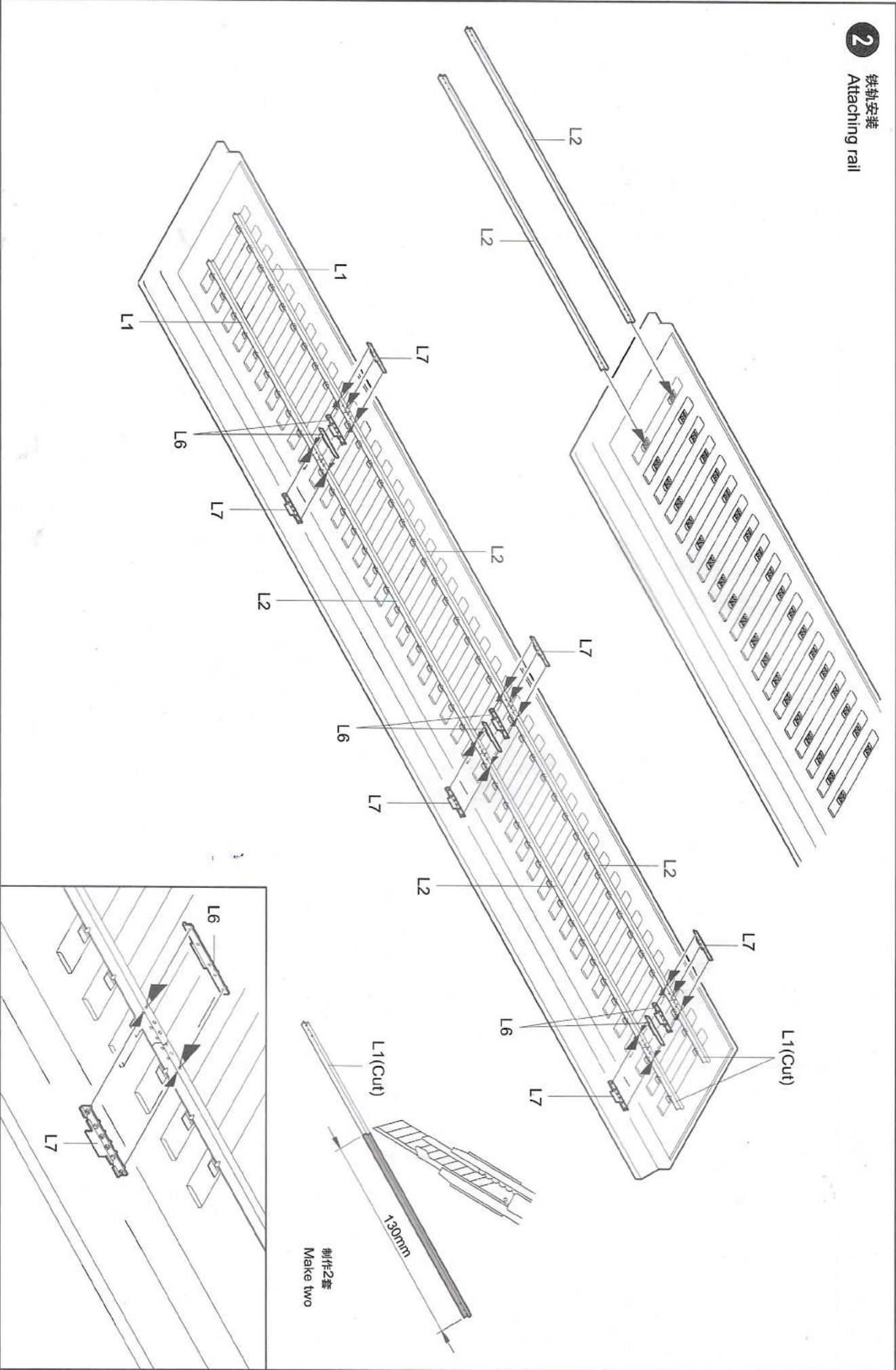
部品图
parts



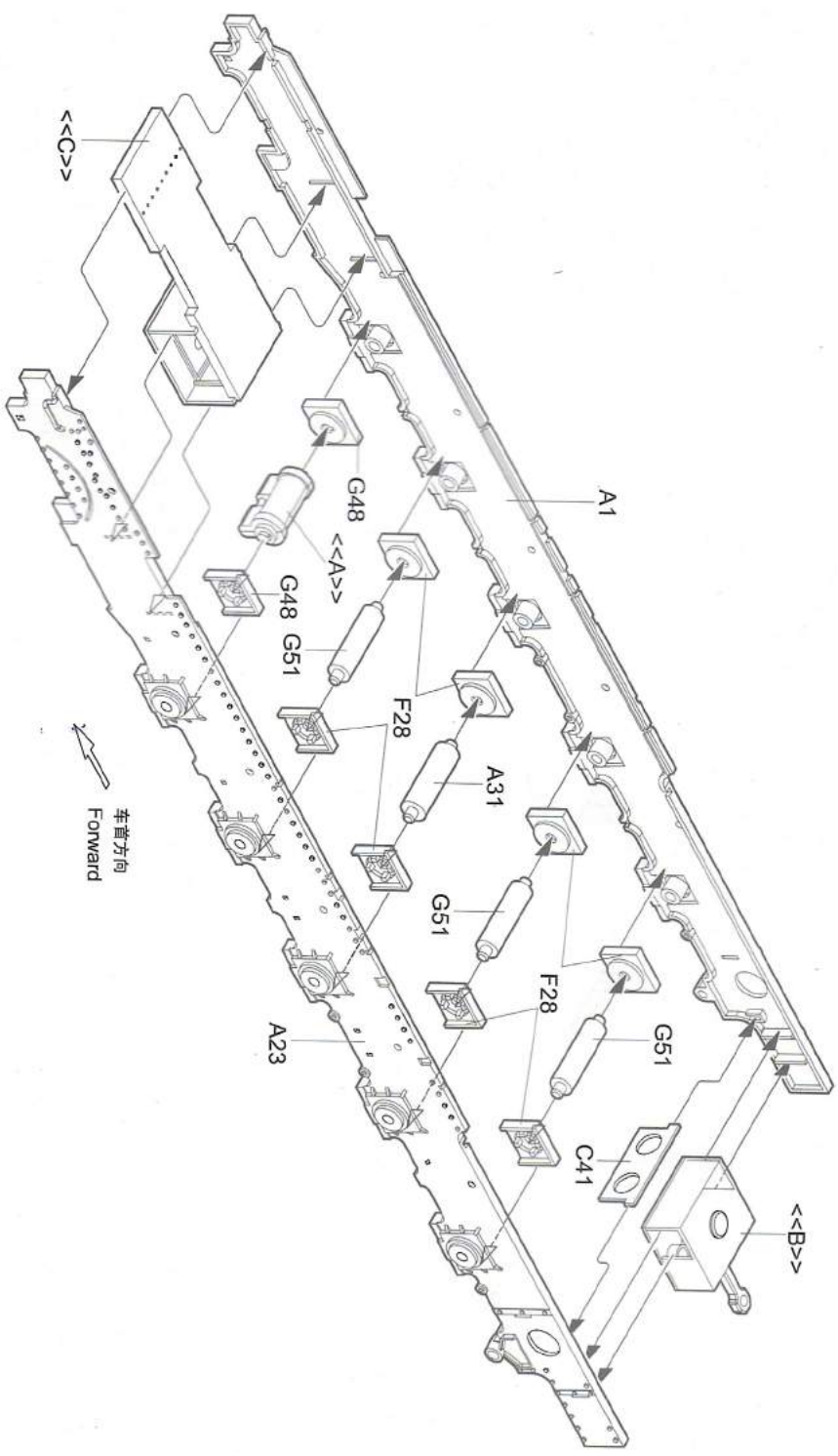
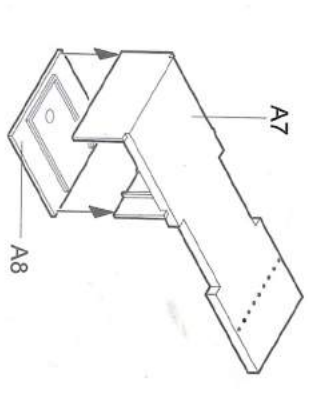
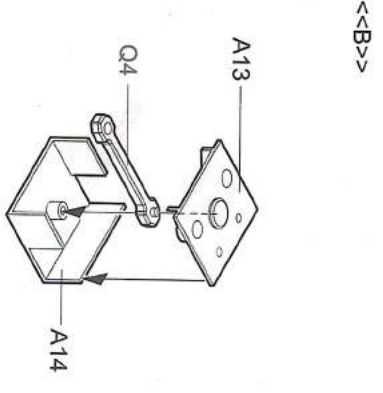
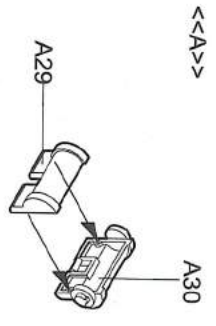
1 枕木安装
Attaching cross-tie

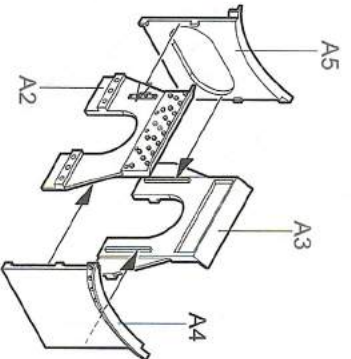


2 铁轨安装
Attaching rail



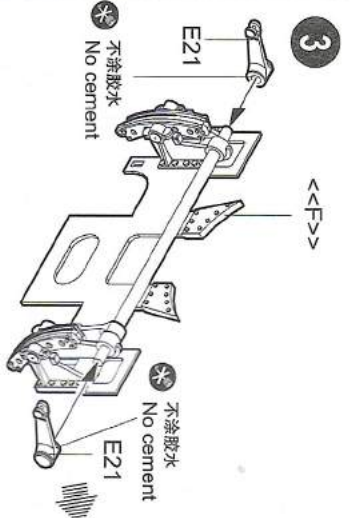
1 蒸汽机车组架
Steam engine assembly





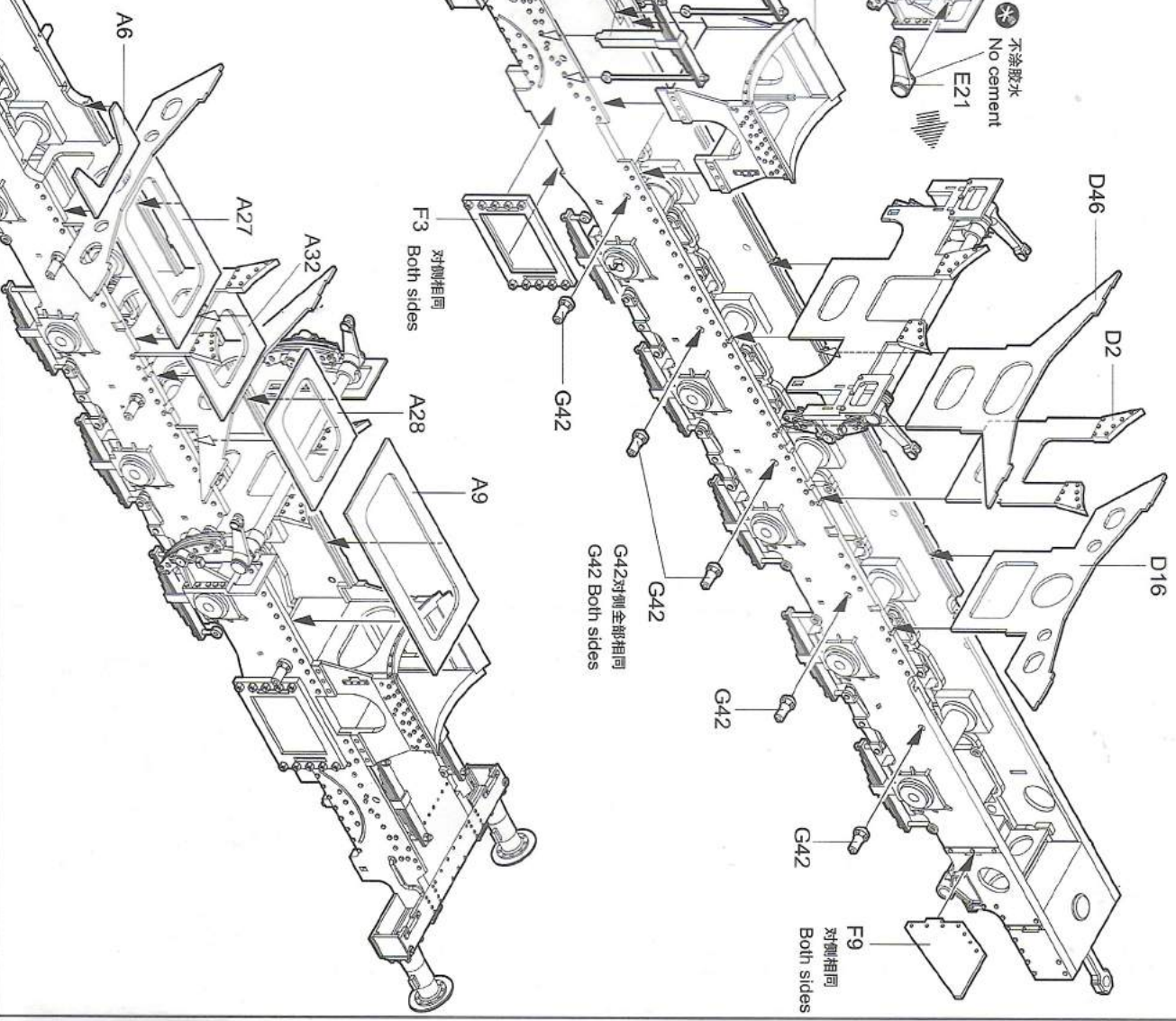
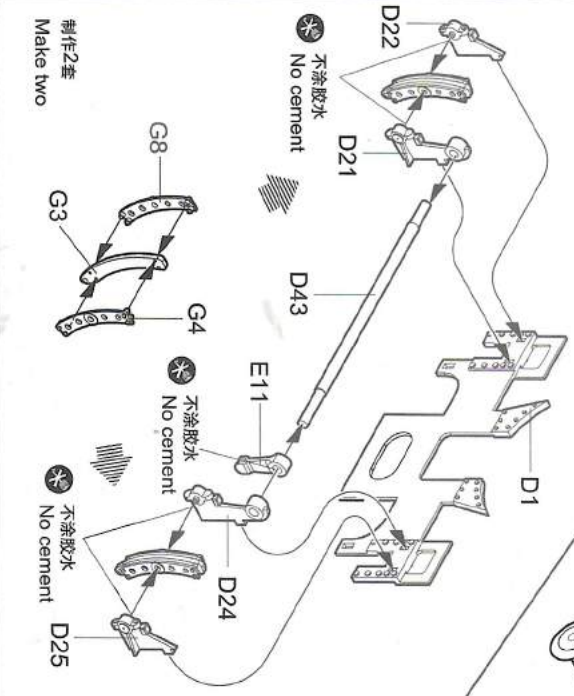
<<E>>

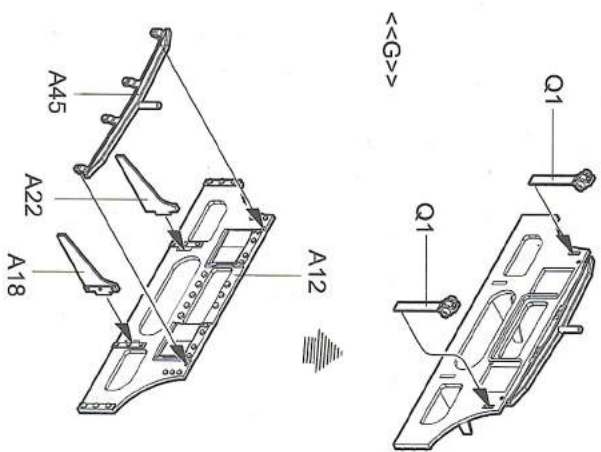
<<F>>



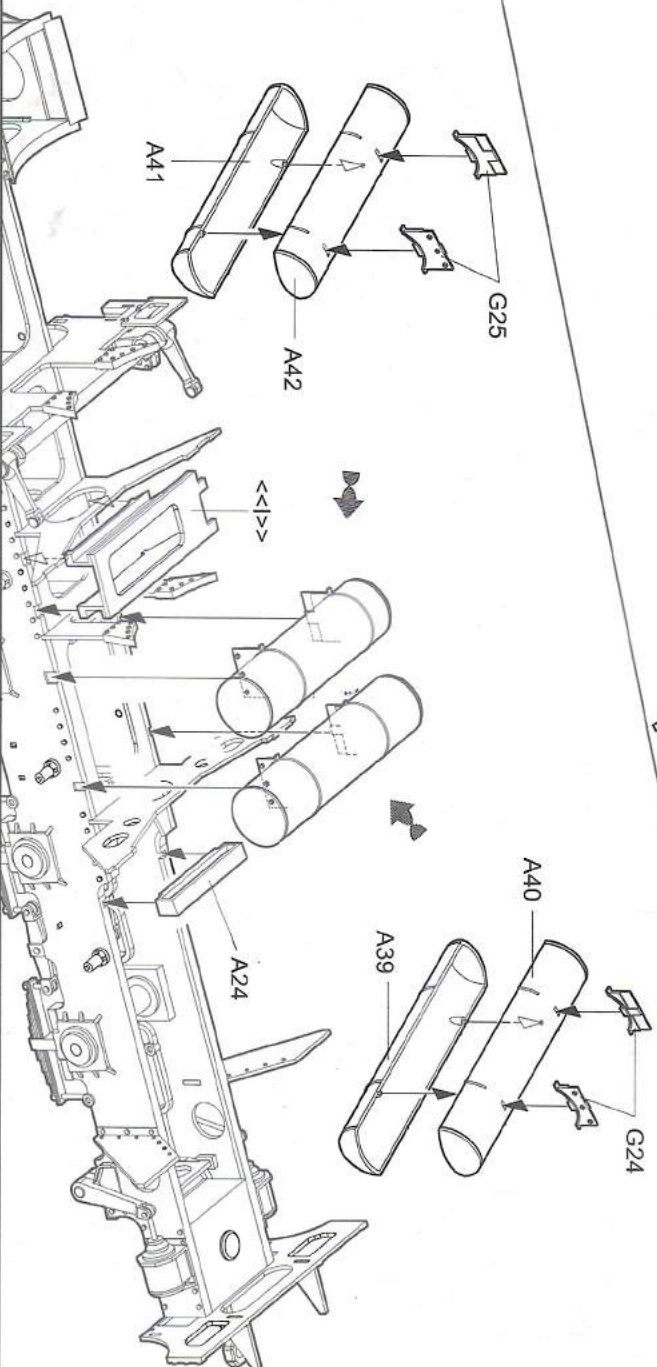
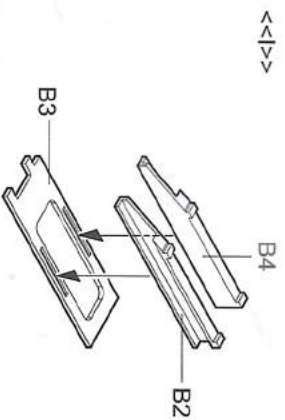
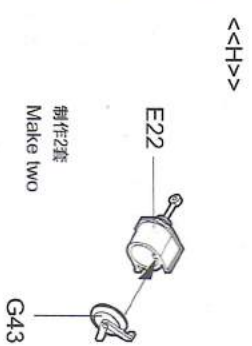
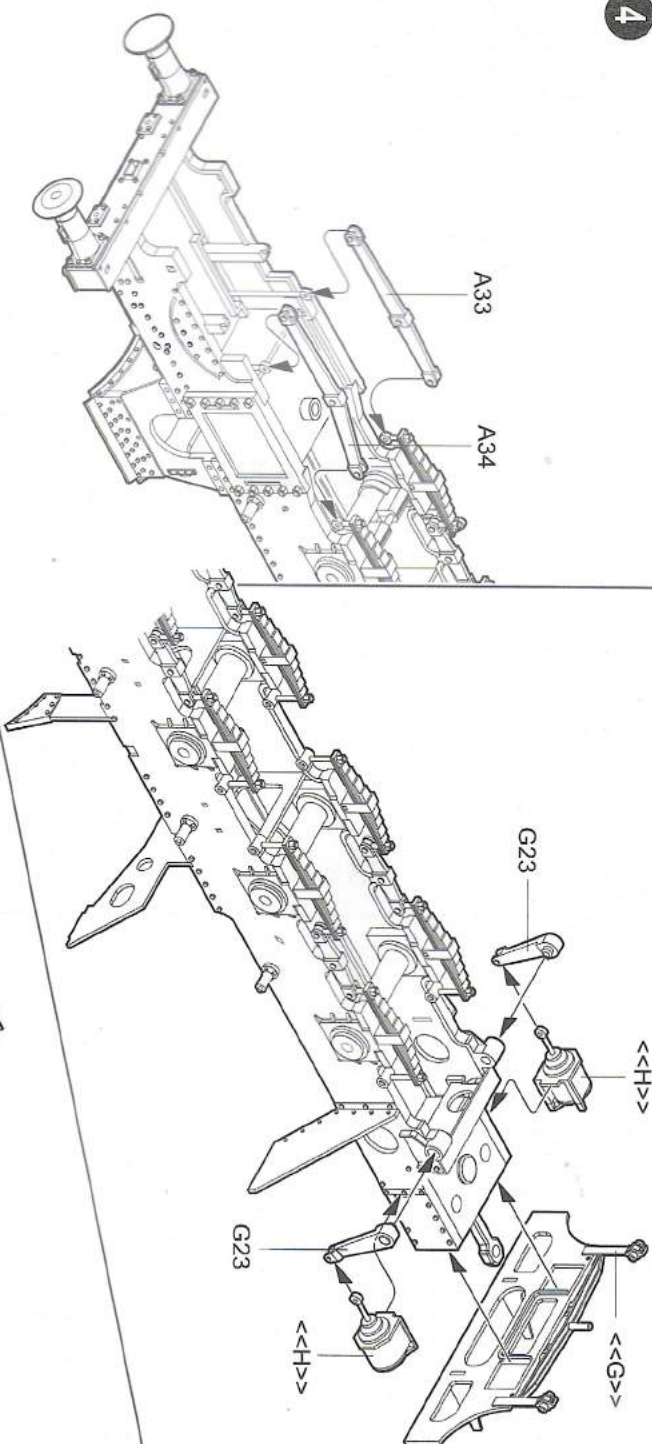
<<E>>

<<F>>





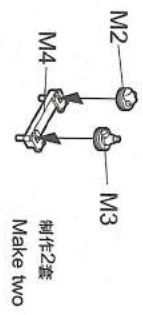
4



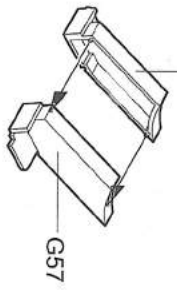
00210

9

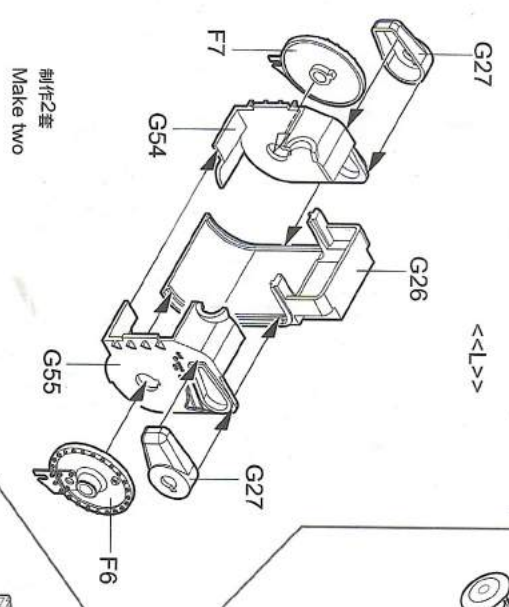
<<J>>



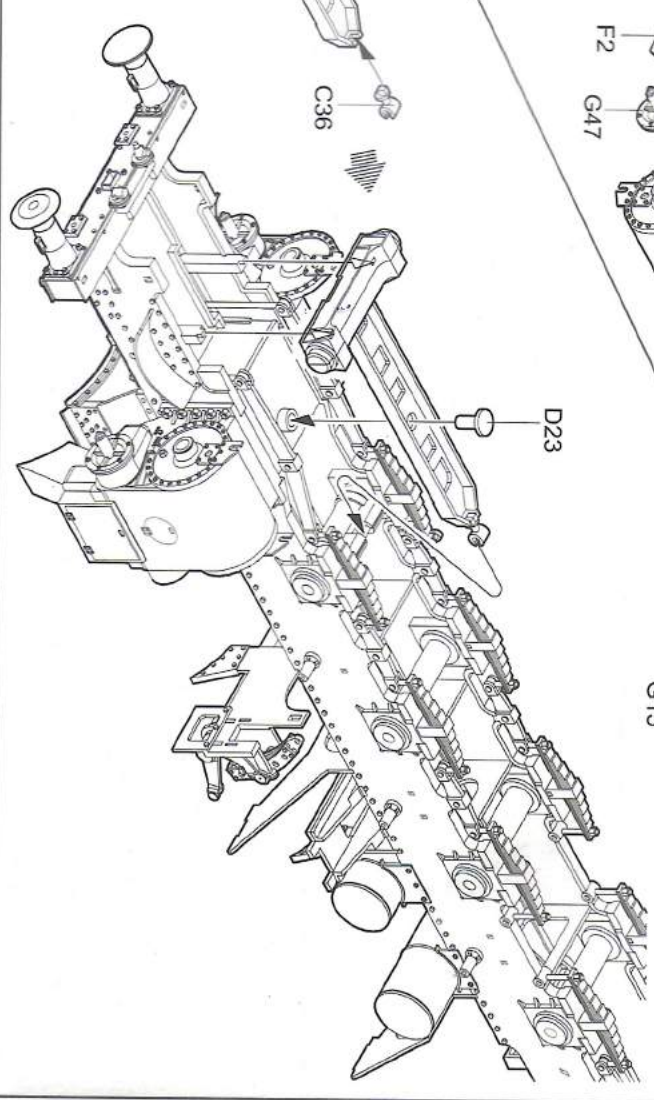
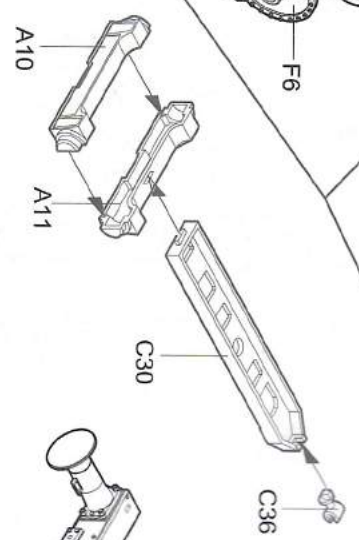
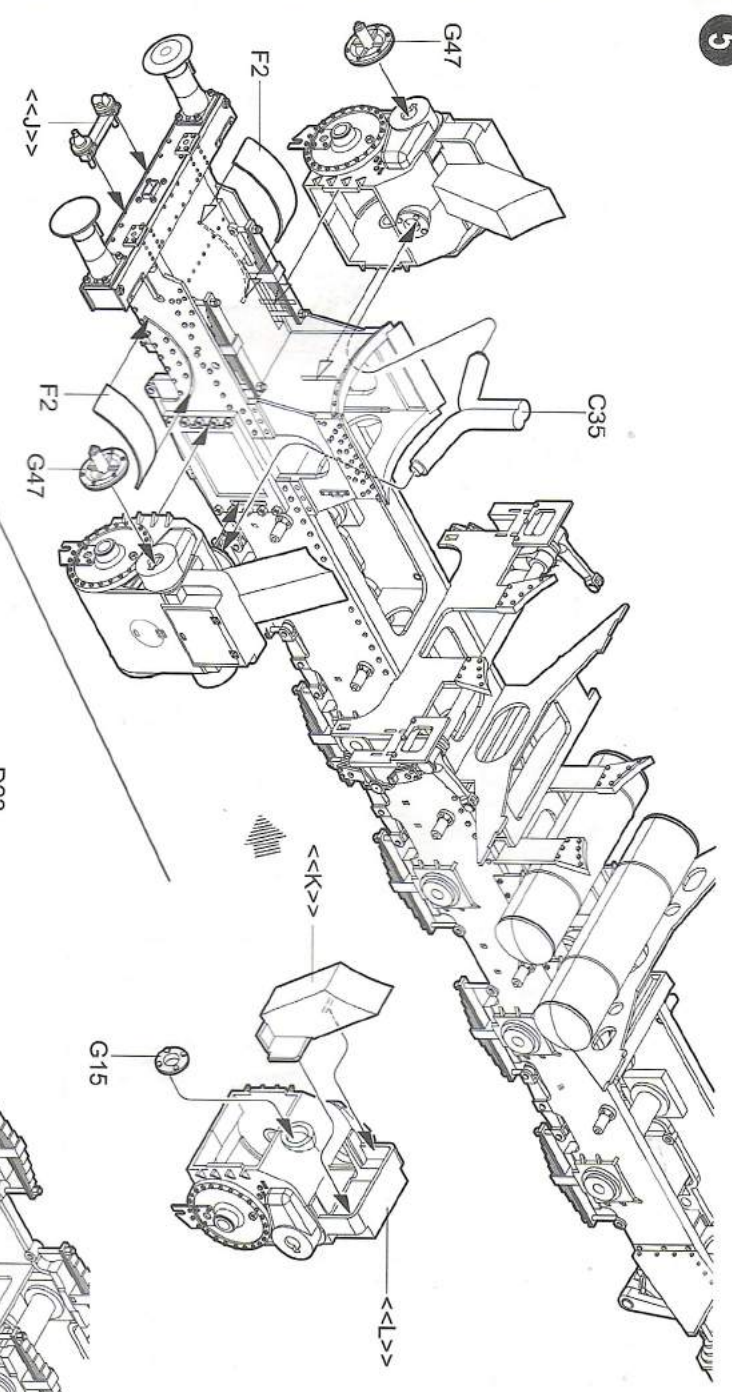
<<K>>



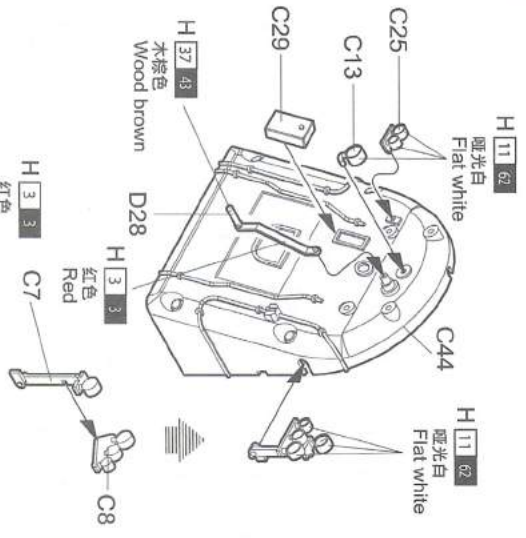
<<L>>



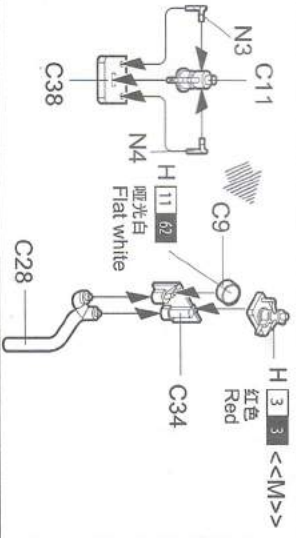
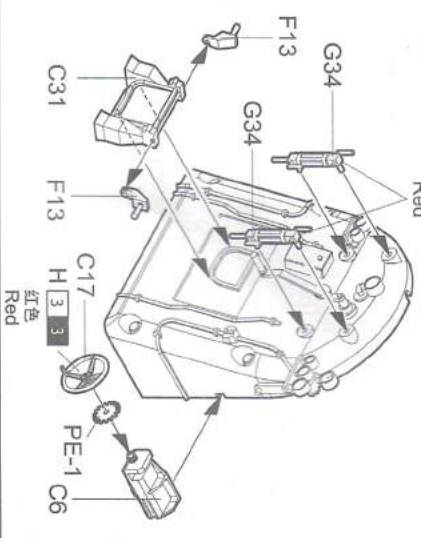
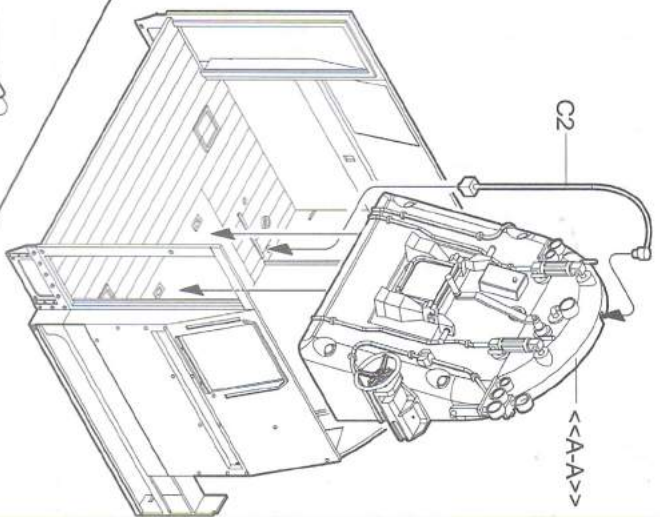
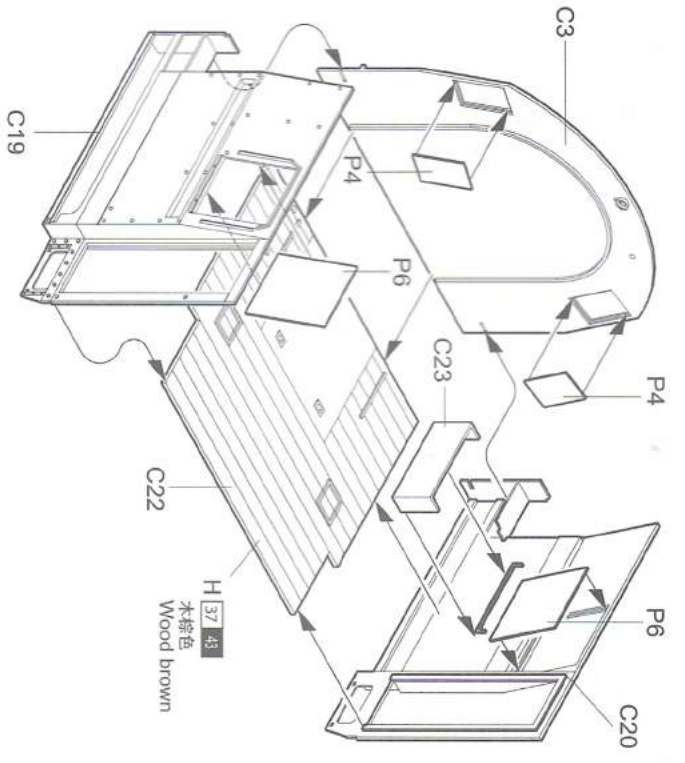
5



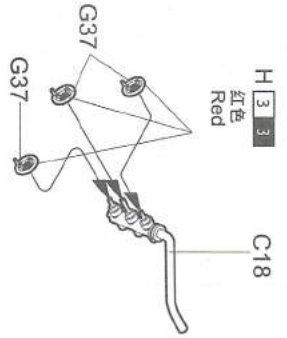
<<A-A>>



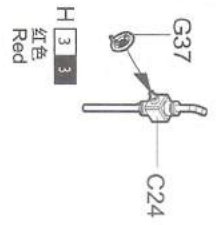
6



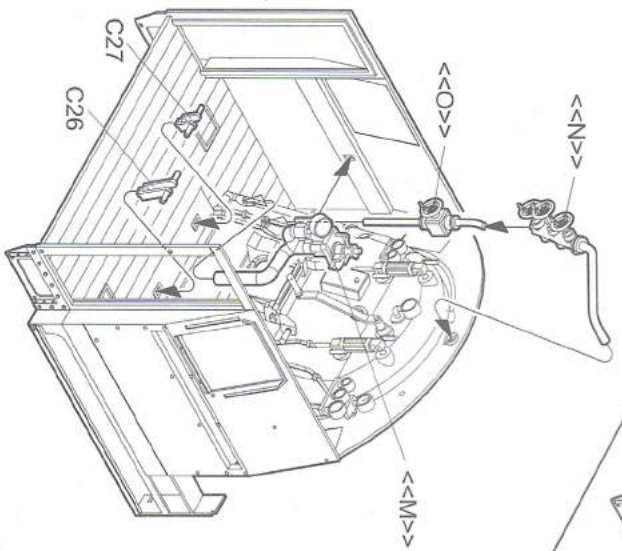
<<N>>



<<O>>



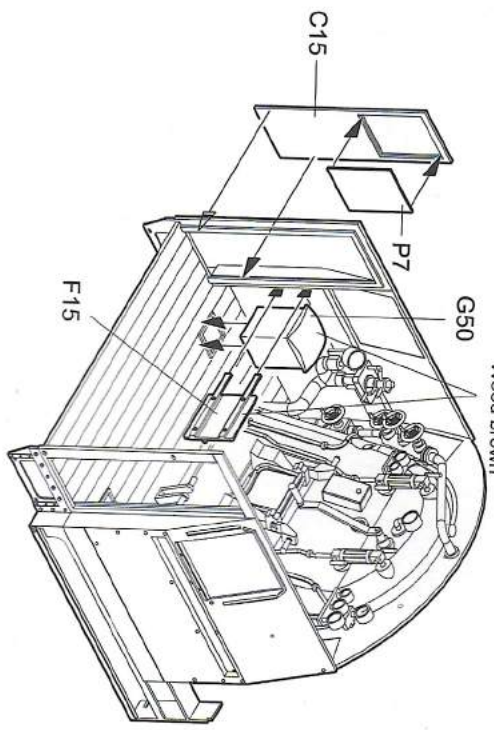
<<O>>



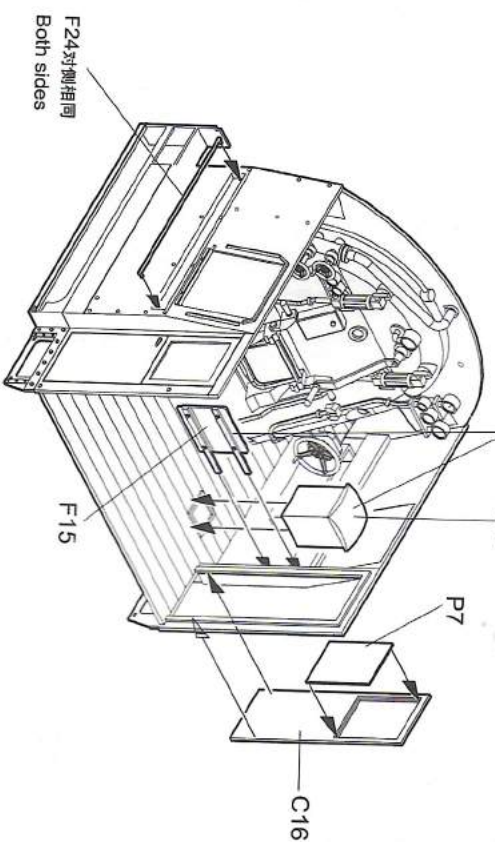
<<M>>

7

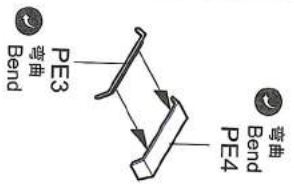
H 37 43
木棕色
Wood brown



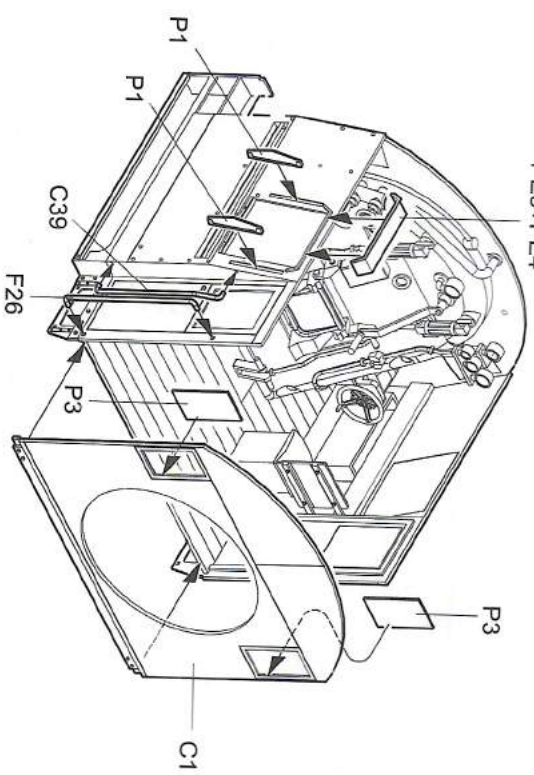
H 37 43
木棕色
Wood brown



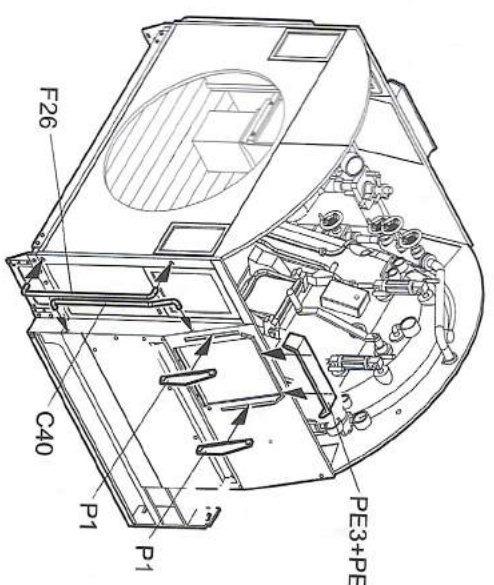
制作2套
Make two



PE3+PE4



PE3+PE4

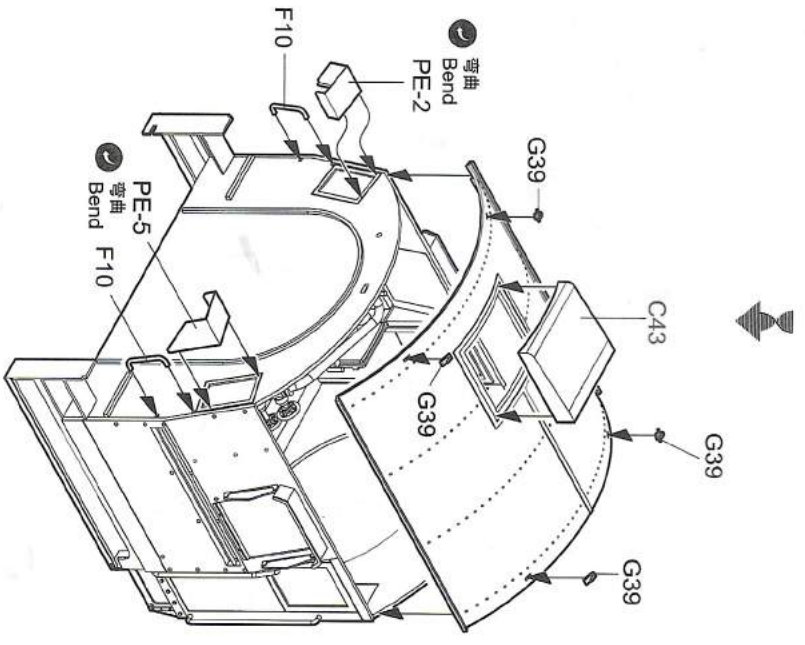
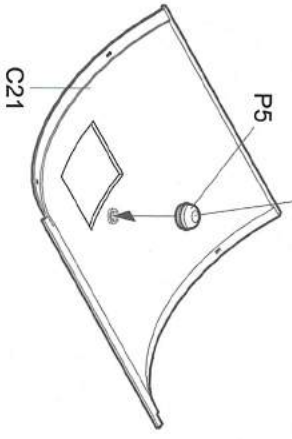


00210

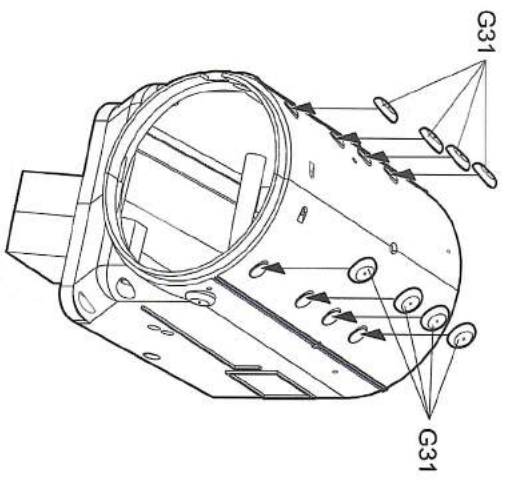
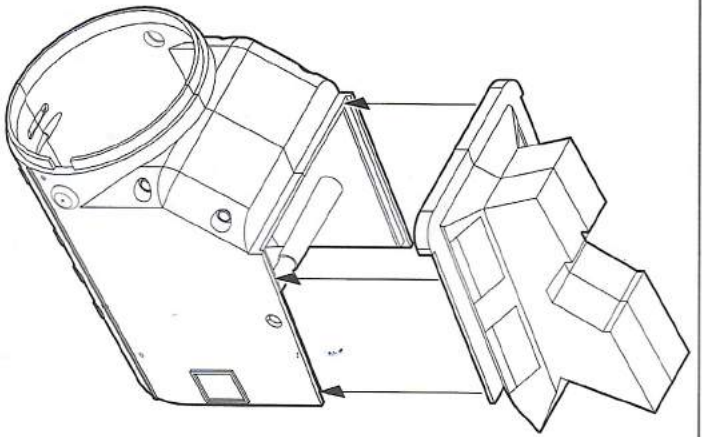
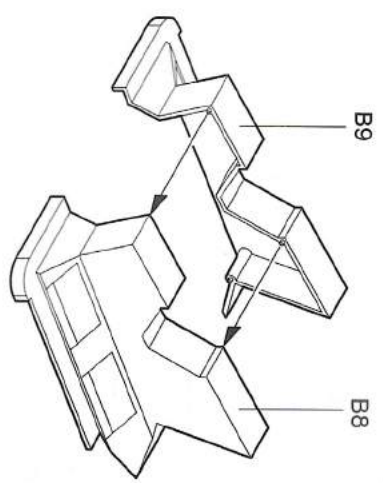
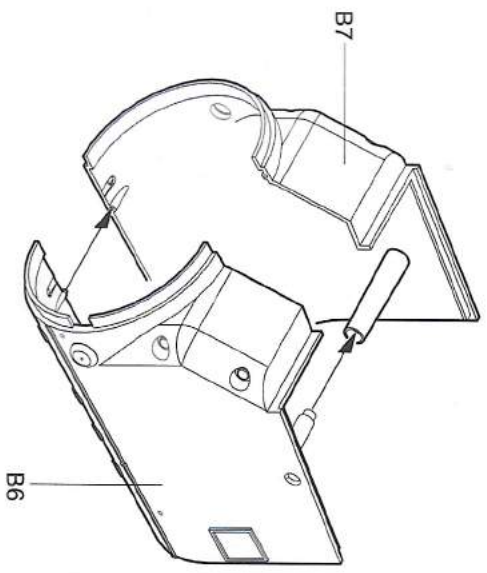
12

8

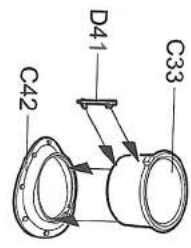
H 92 49
透明橙
Clear orange



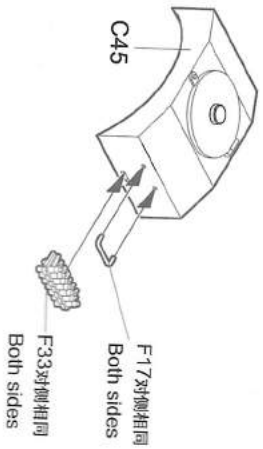
9



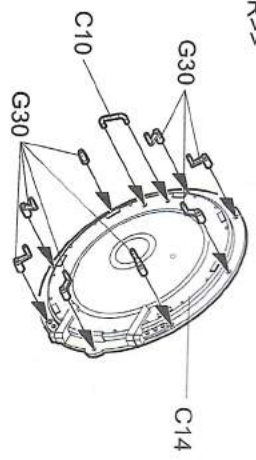
<<P>>



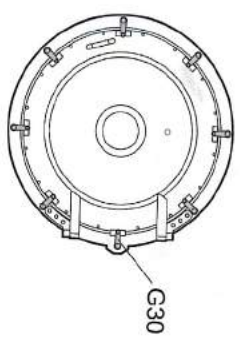
<<Q>>



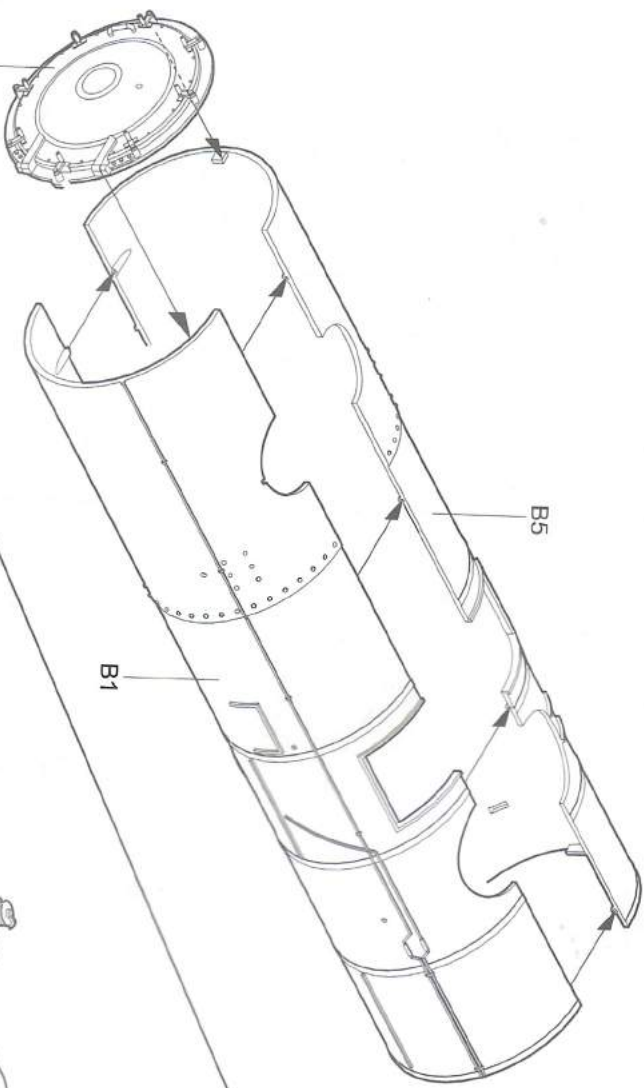
<<R>>



G30组装示意图
Attach G30 as illustration



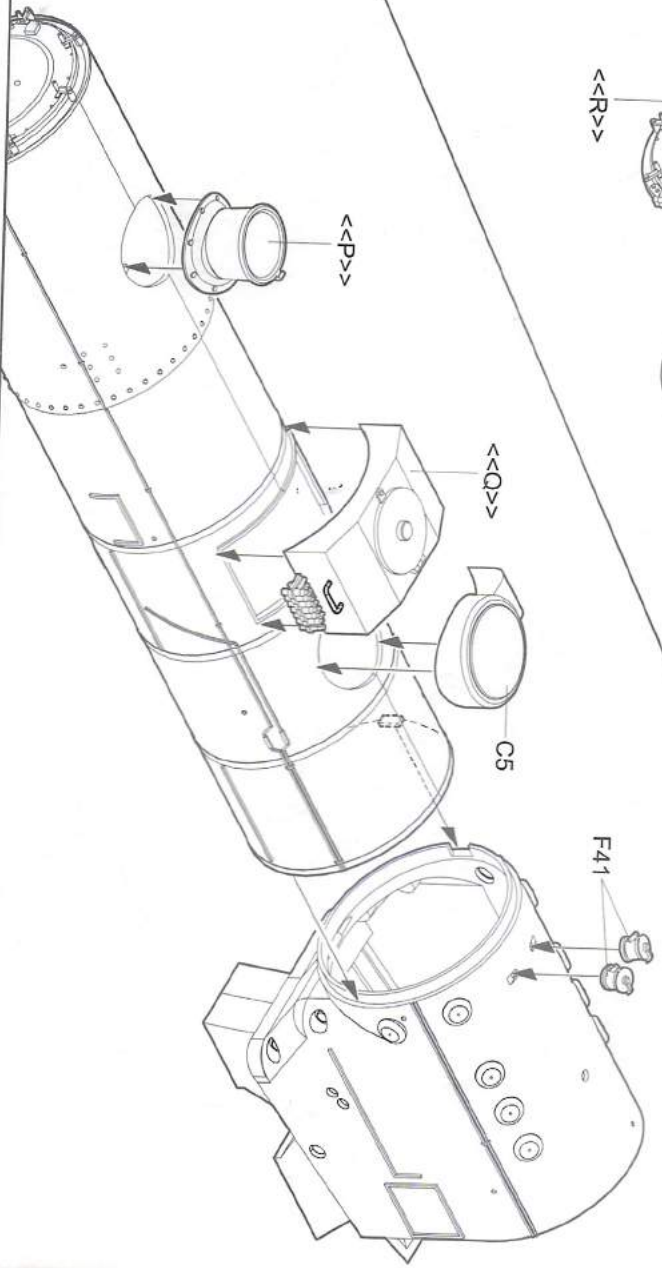
10



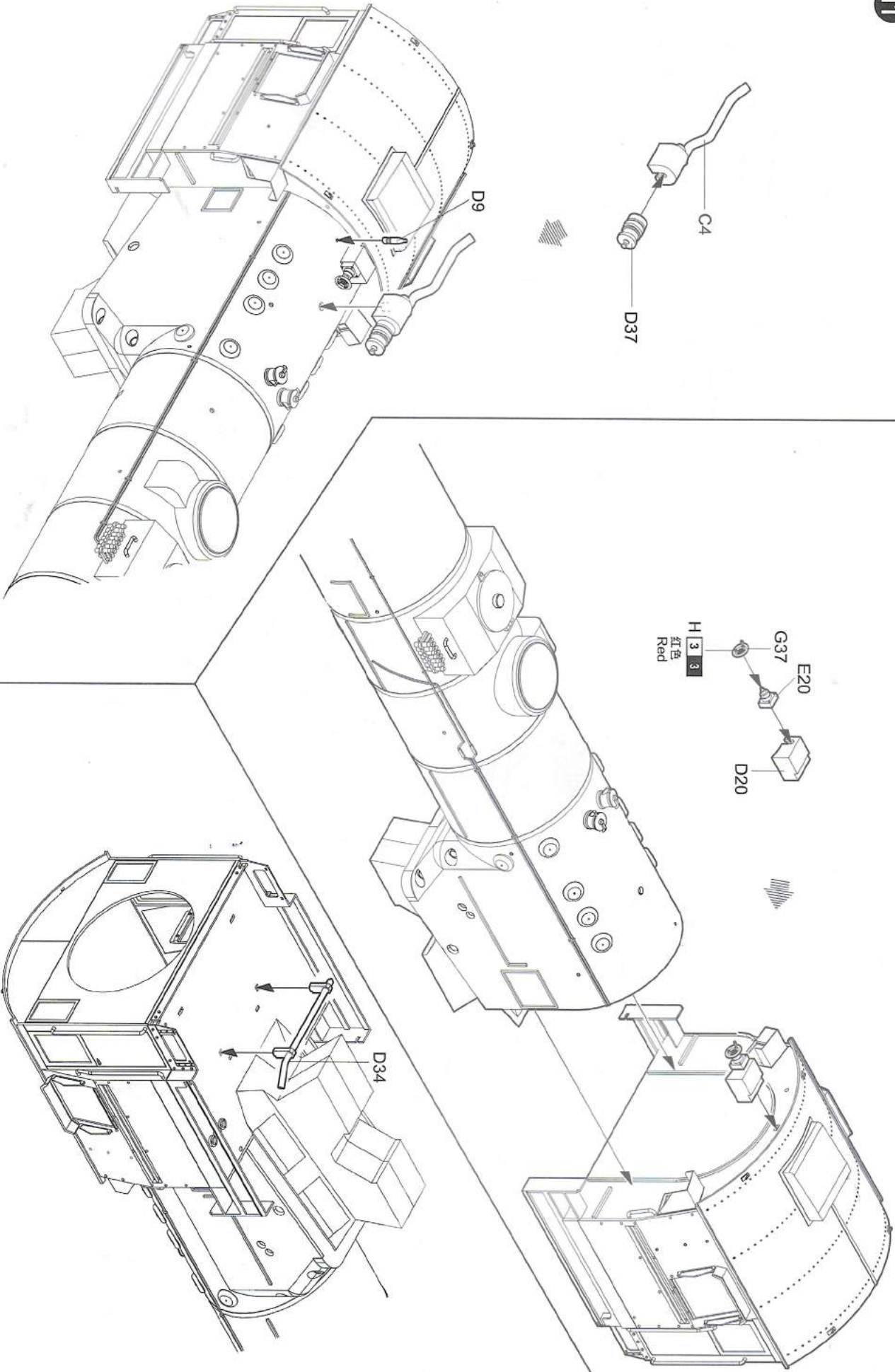
<<R>>

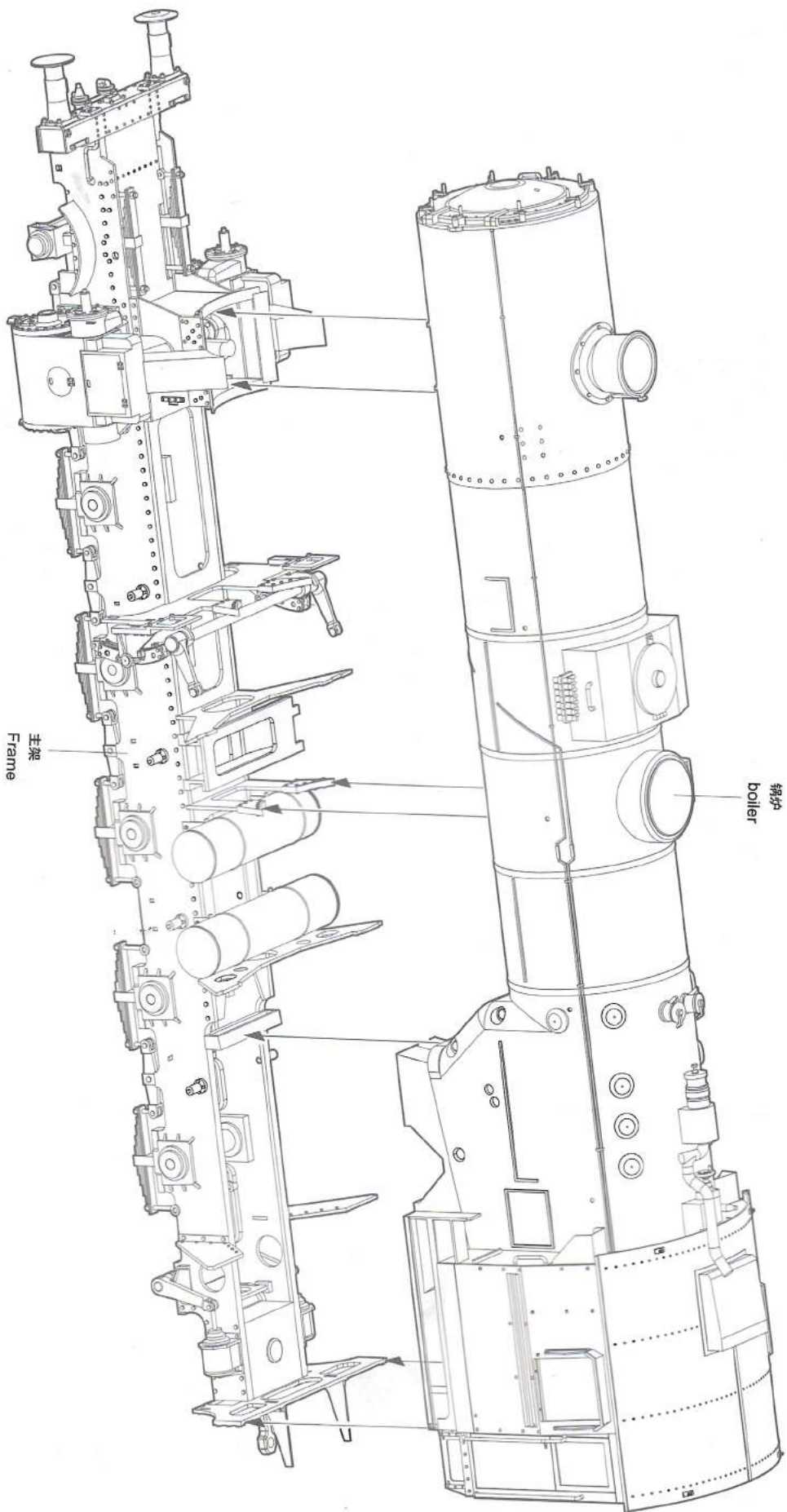
<<P>>

<<Q>>

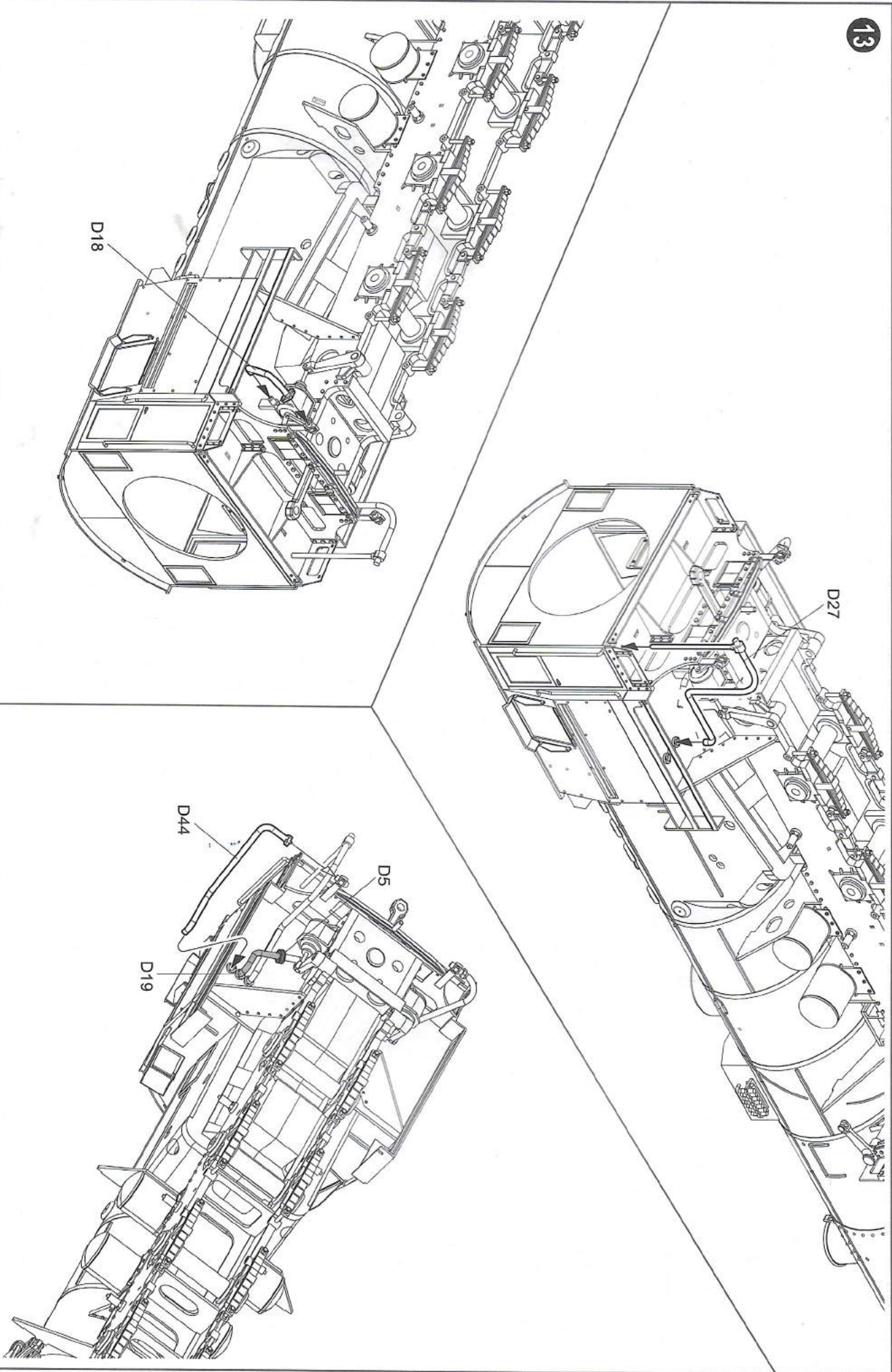


14



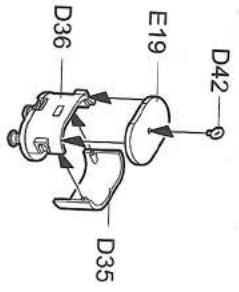


13

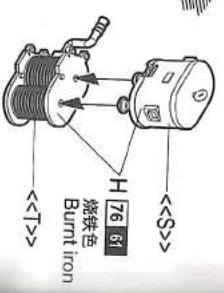
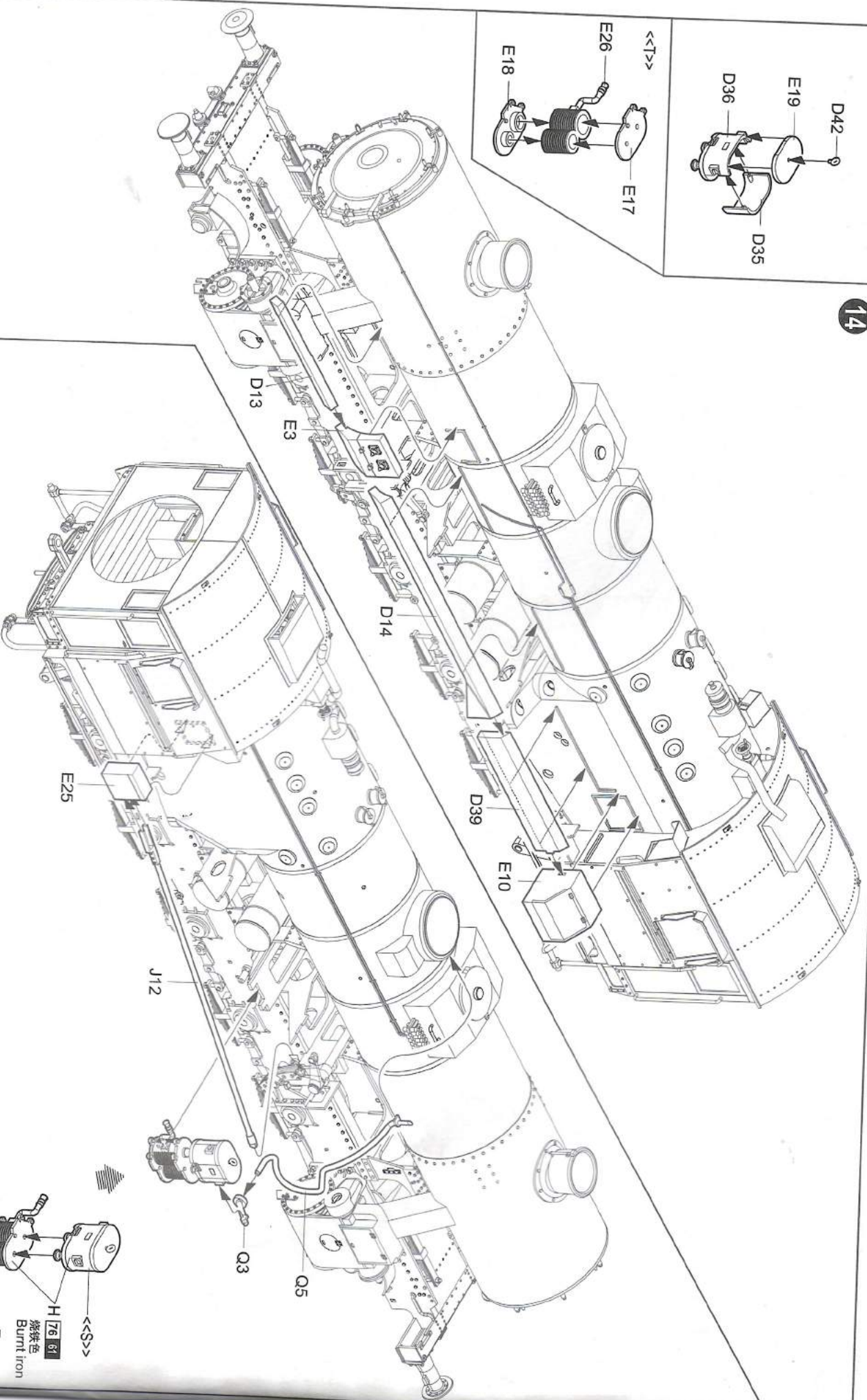
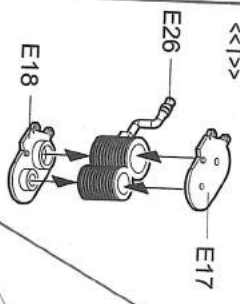


<<S>>

14

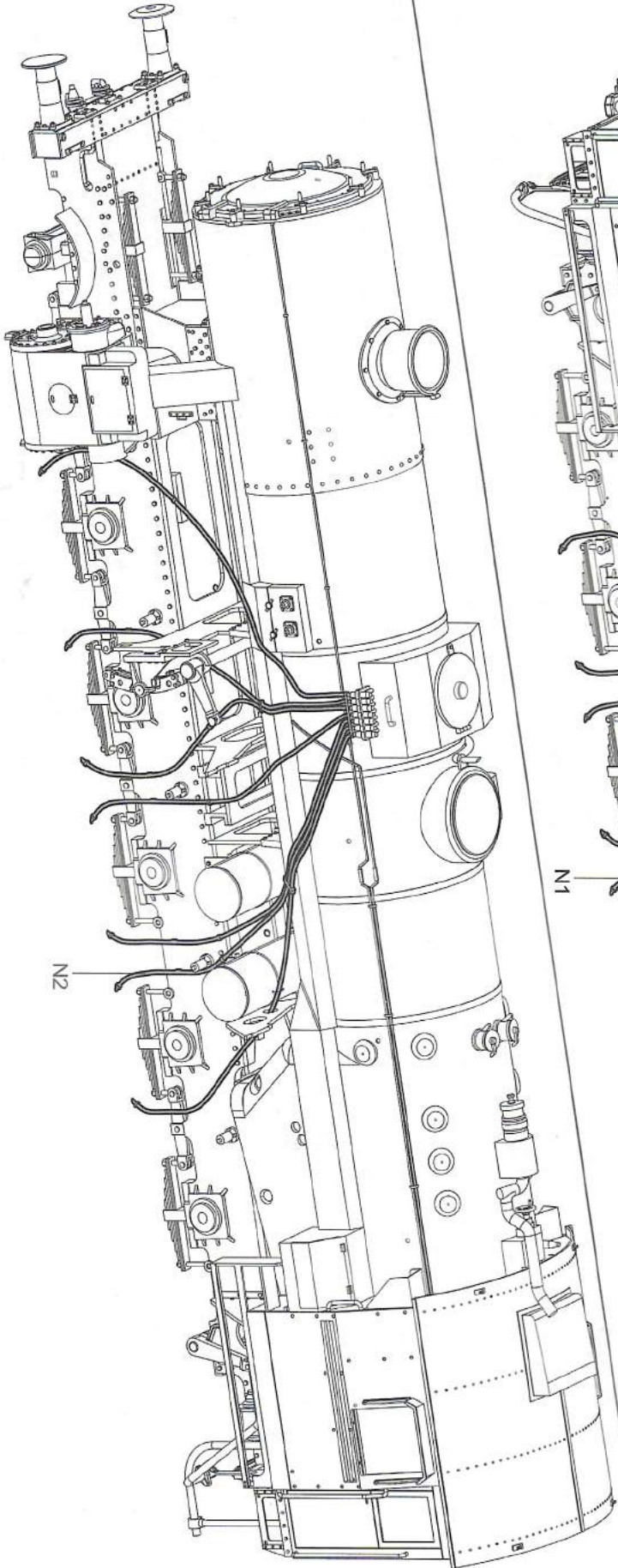
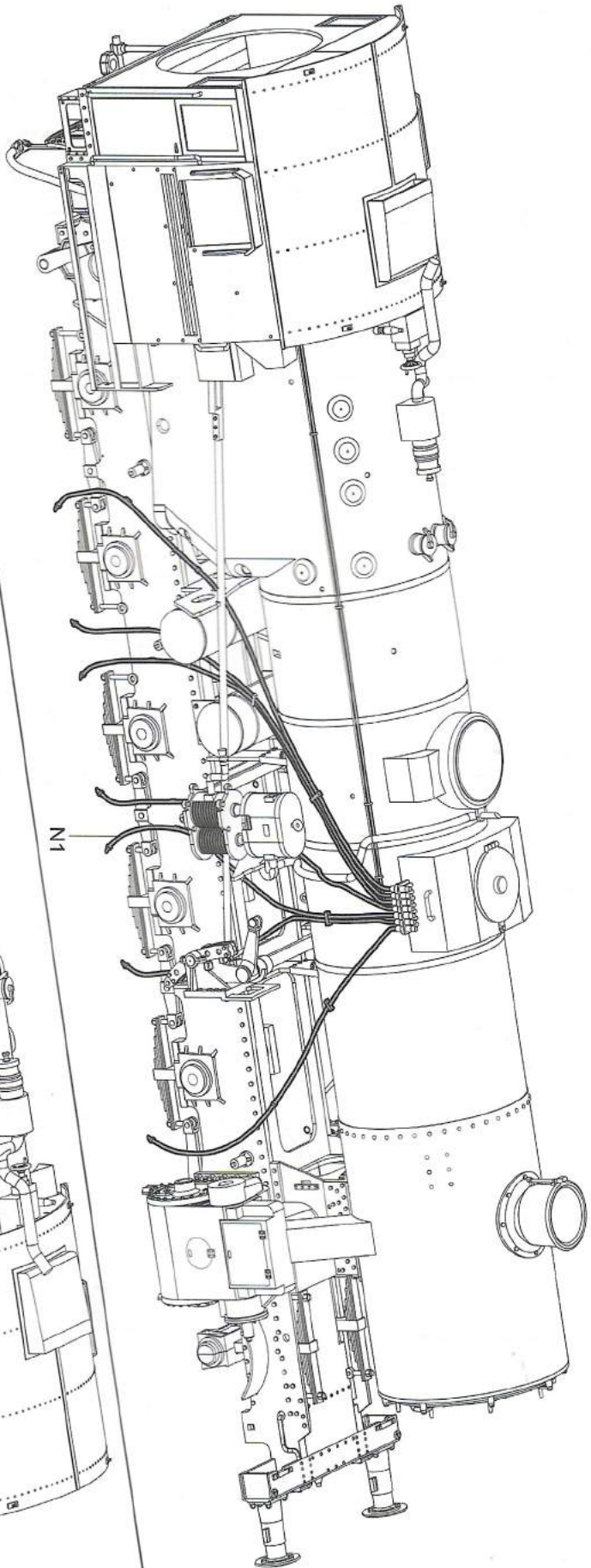


<<T>>



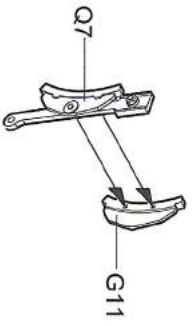
00210

18



16

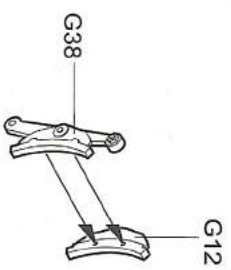
<<U>>



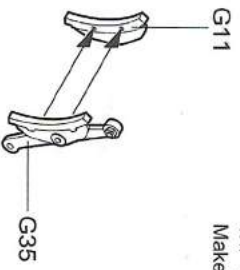
<<V>>



<<W>>

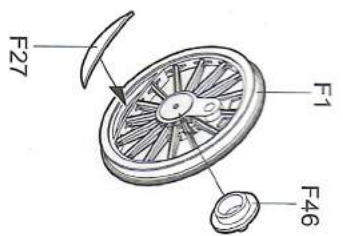


<<X>>



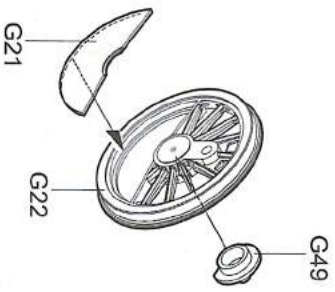
制作4套
Make four

<<Y>>



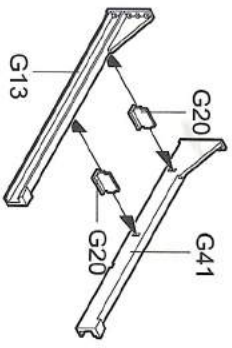
制作8套
Make eight

<<Z>>



制作2套
Make two

<<B-B>>

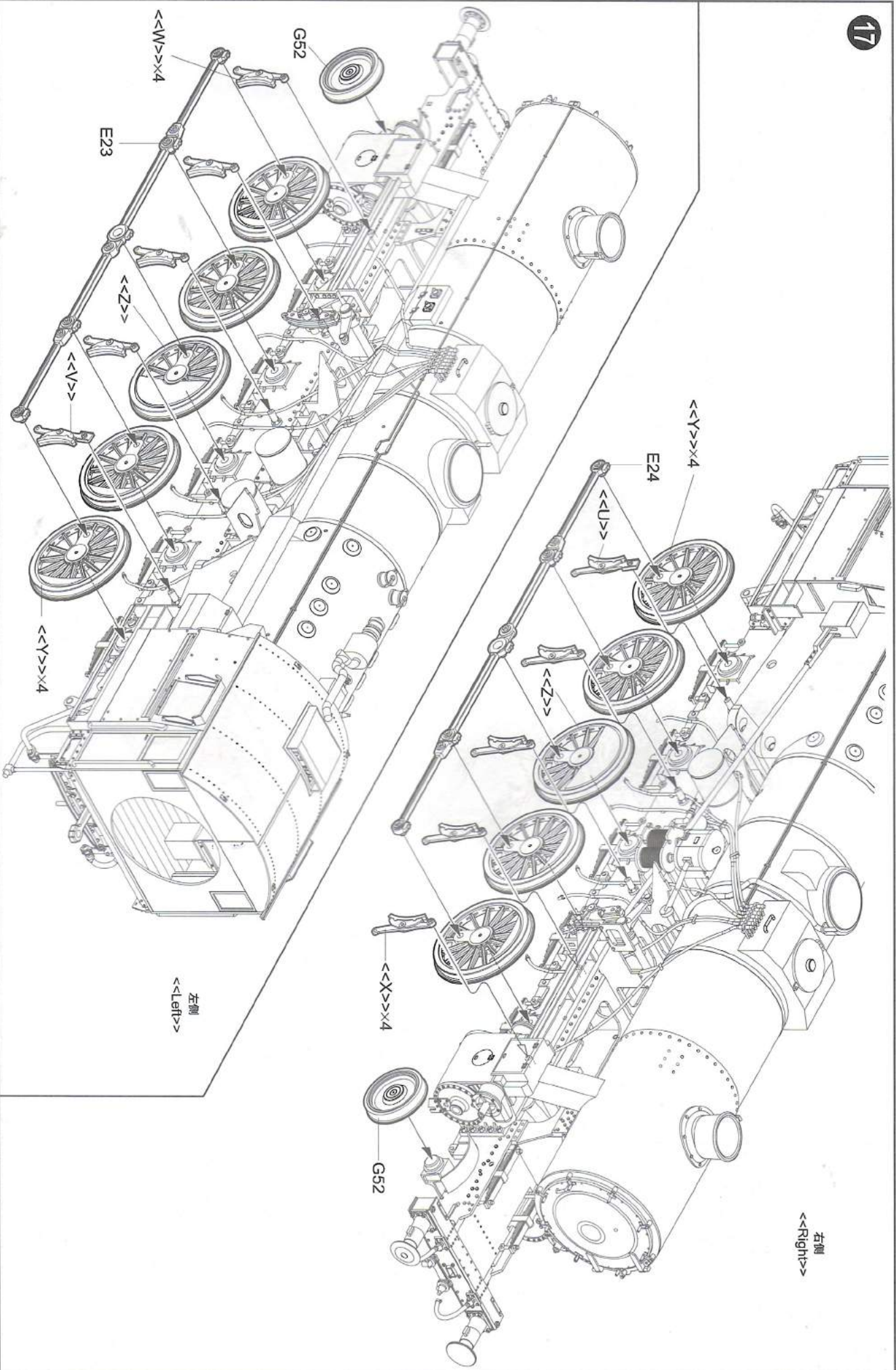


G46对称相同
Both sides

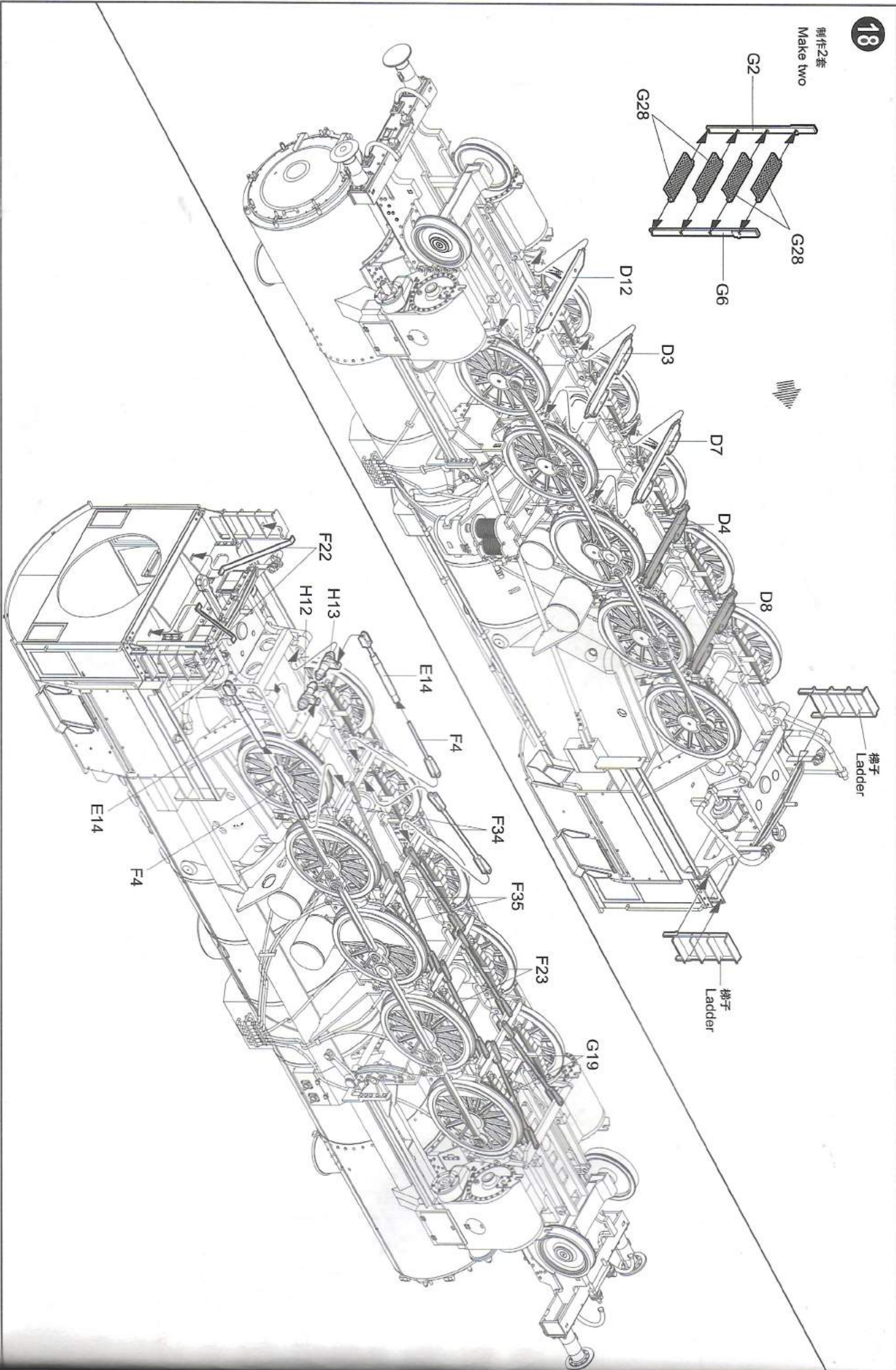
对称相同
Both sides



制作2套
Make two

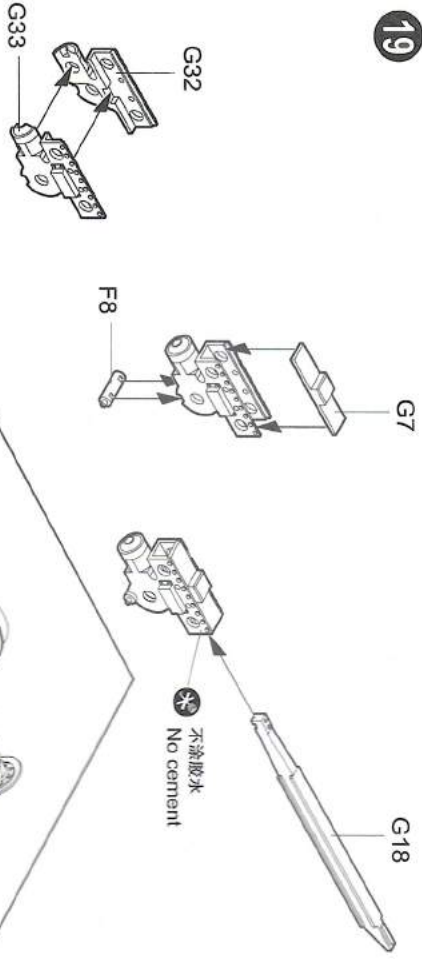


制作2套
Make two



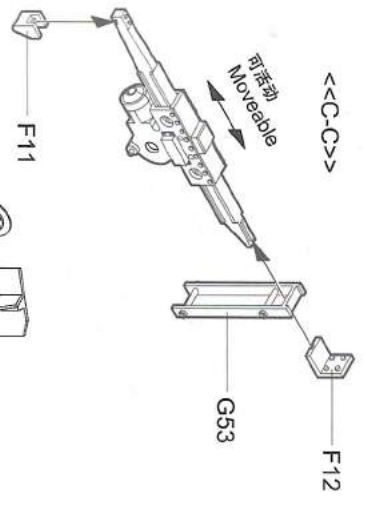
19

各制作2套
Make two each

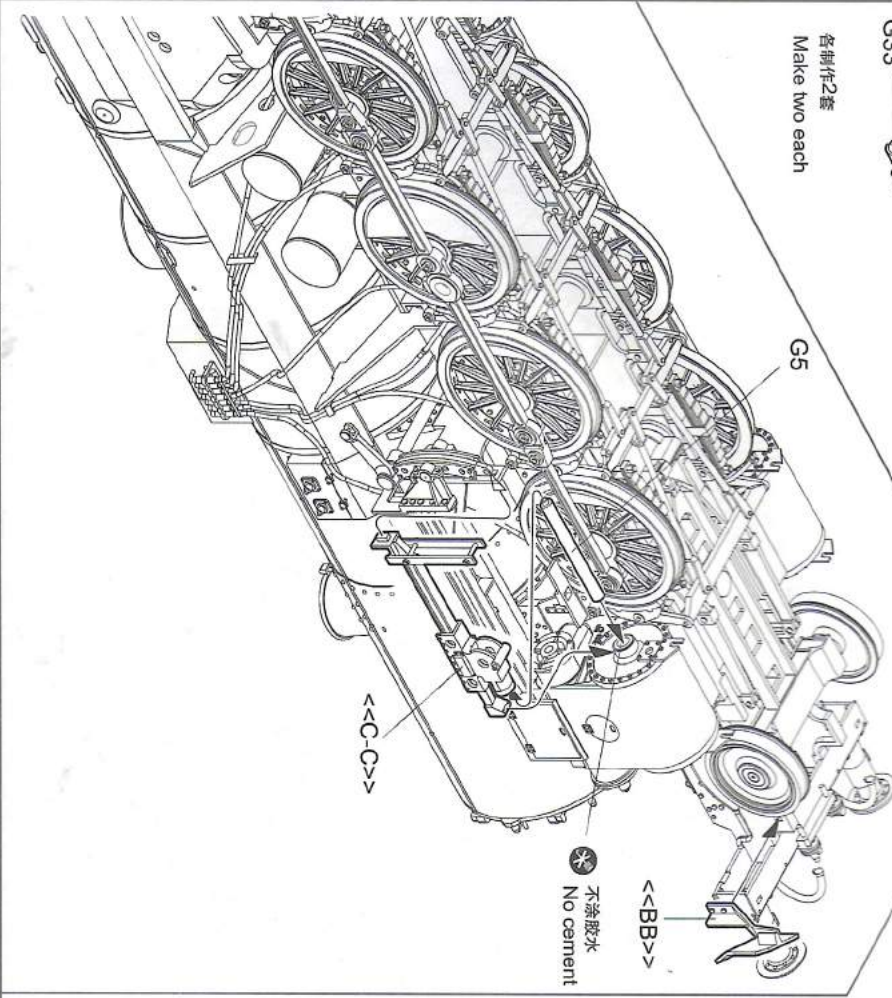


不涂胶水
No cement

可活动
Moveable

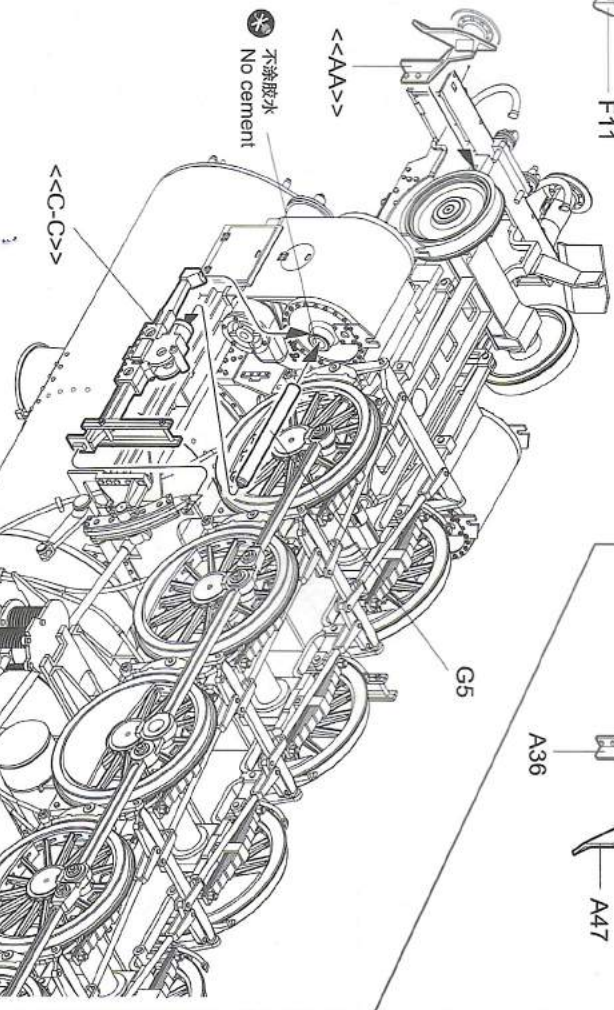


<<C-C>>

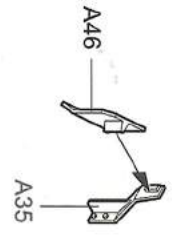


不涂胶水
No cement

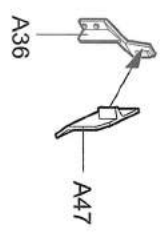
<<AA>>

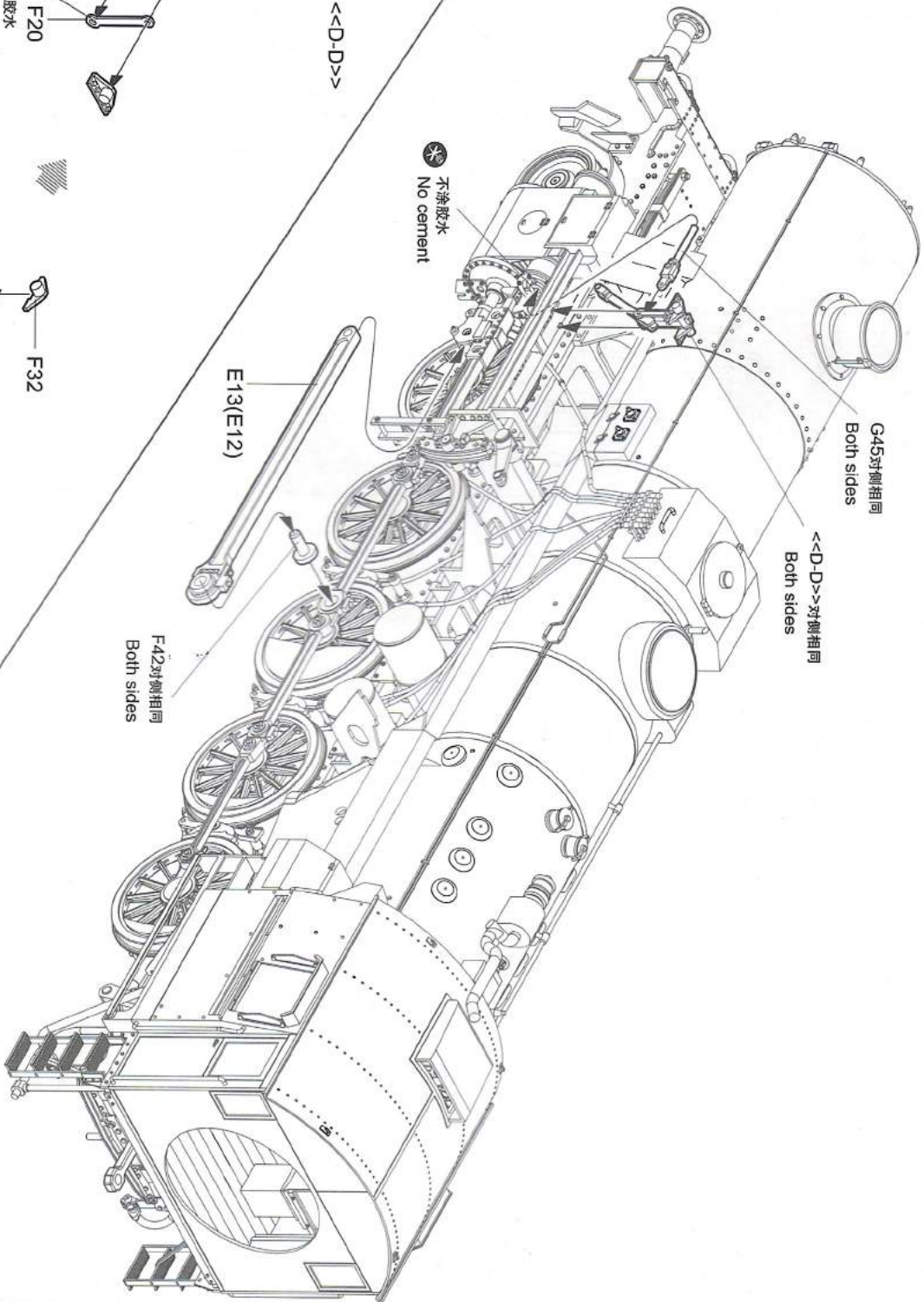


<<AA>>



<<BB>>





F30

F29

各制作2套
Make two each

<<D-D>>

不涂胶水
No cement

F20

G10

F19

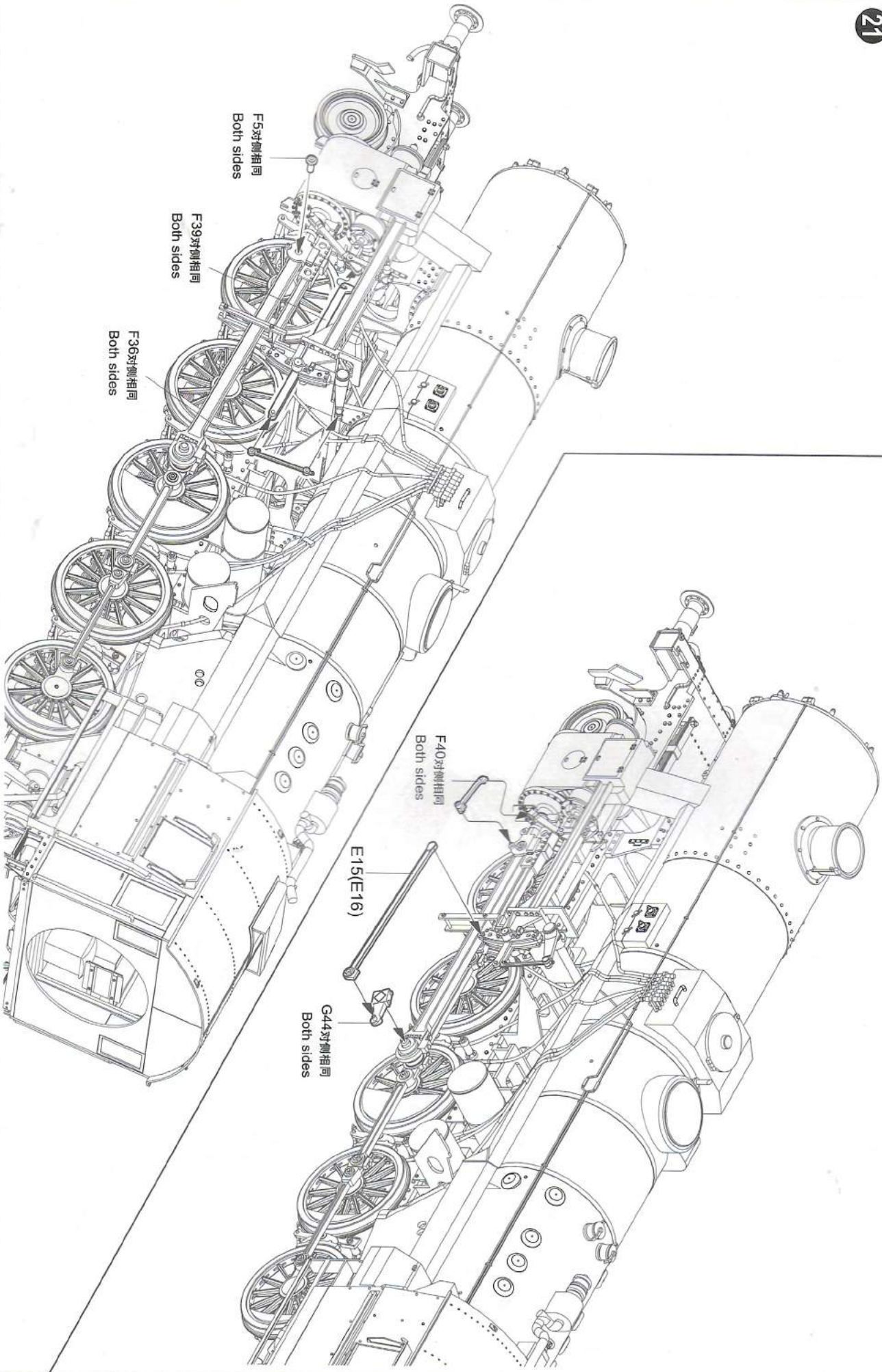
不涂胶水
No cement

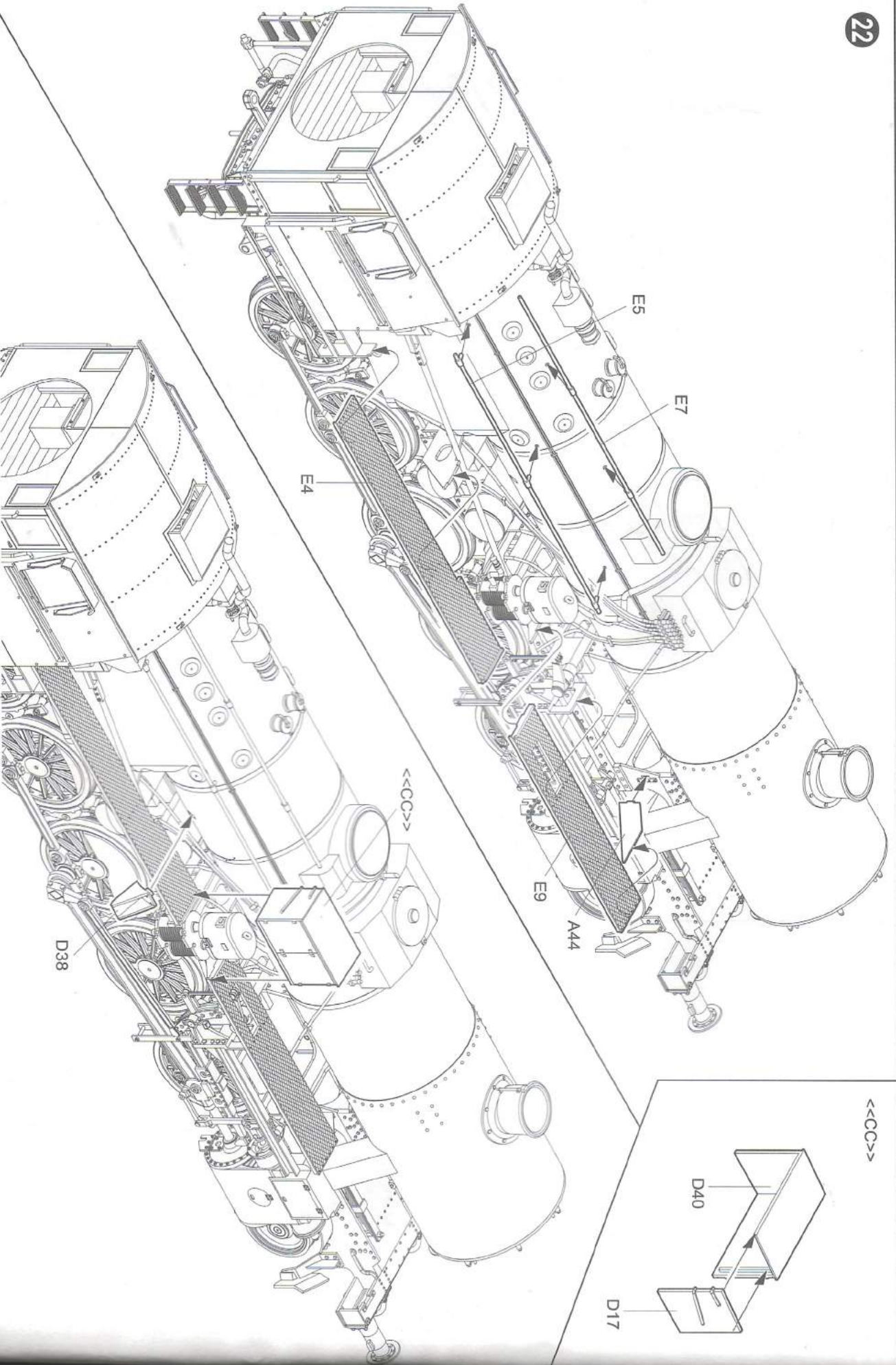
F20

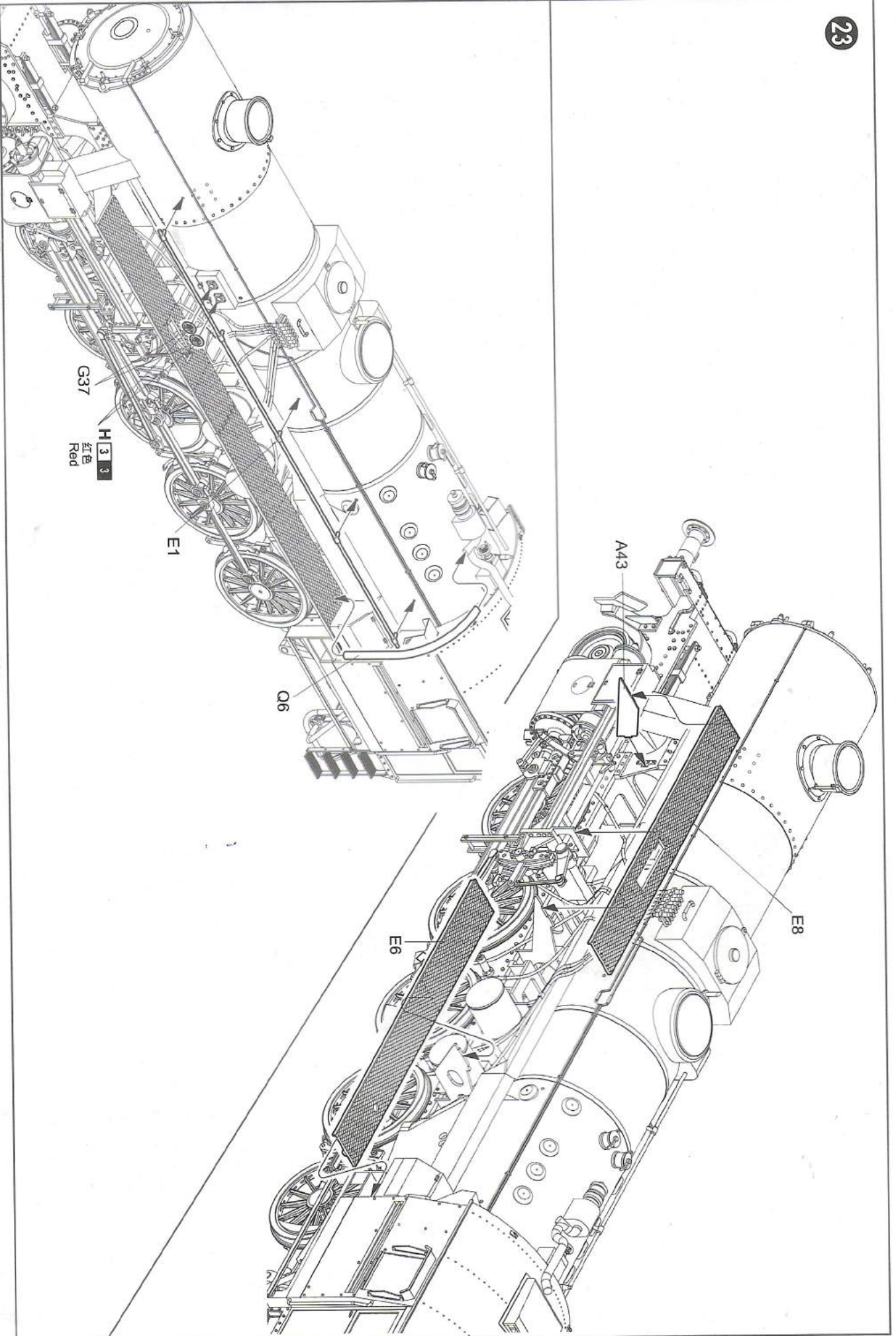
不涂胶水
No cement

F31

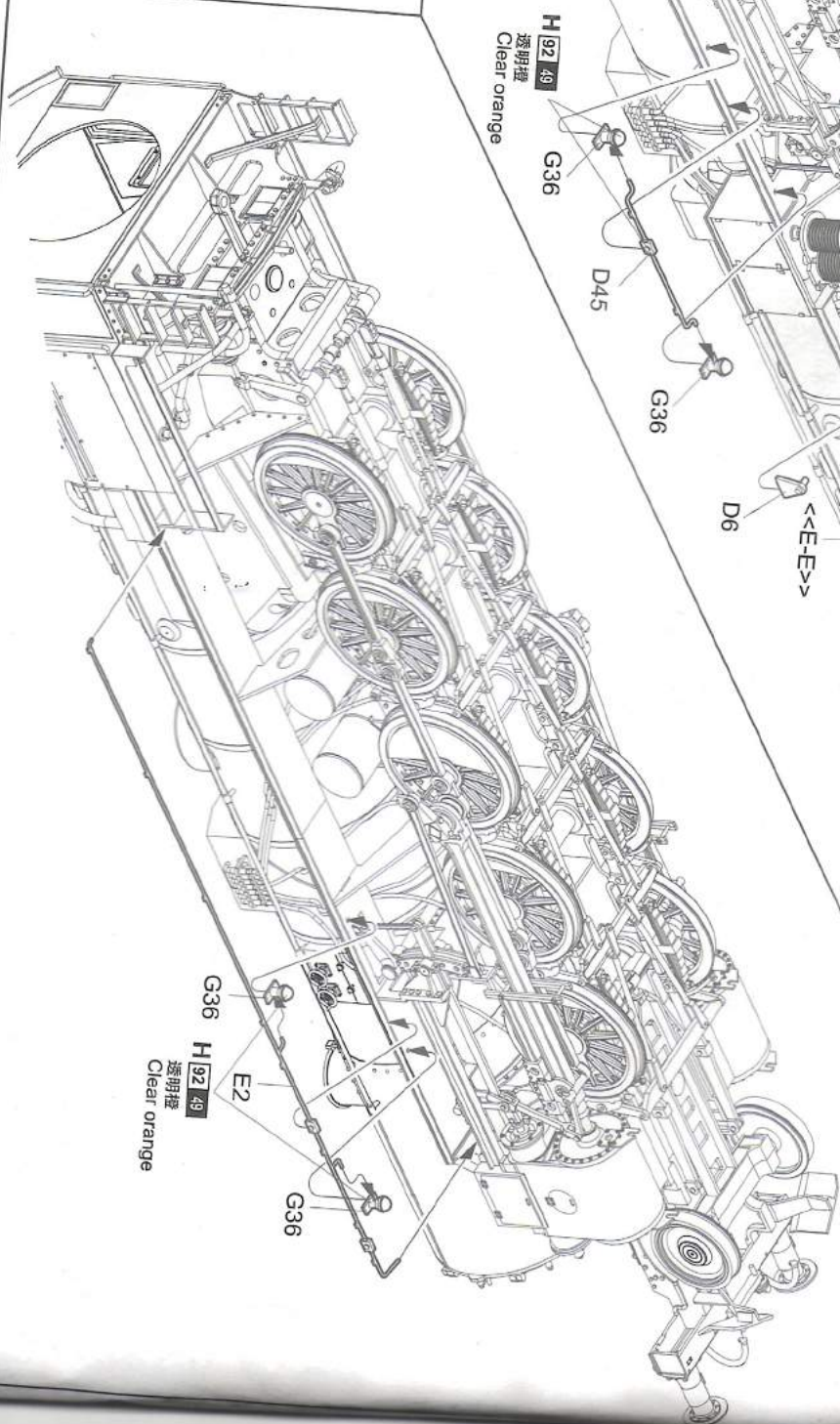
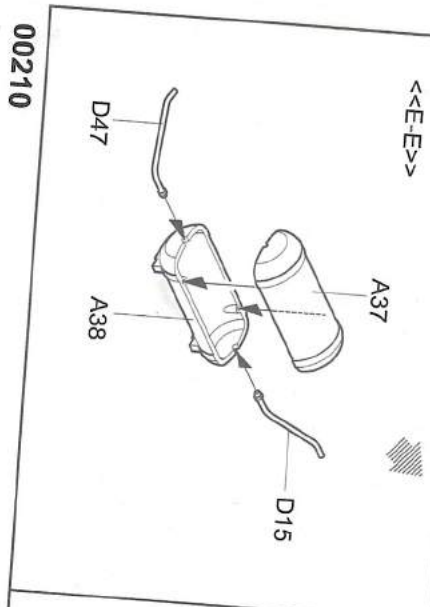
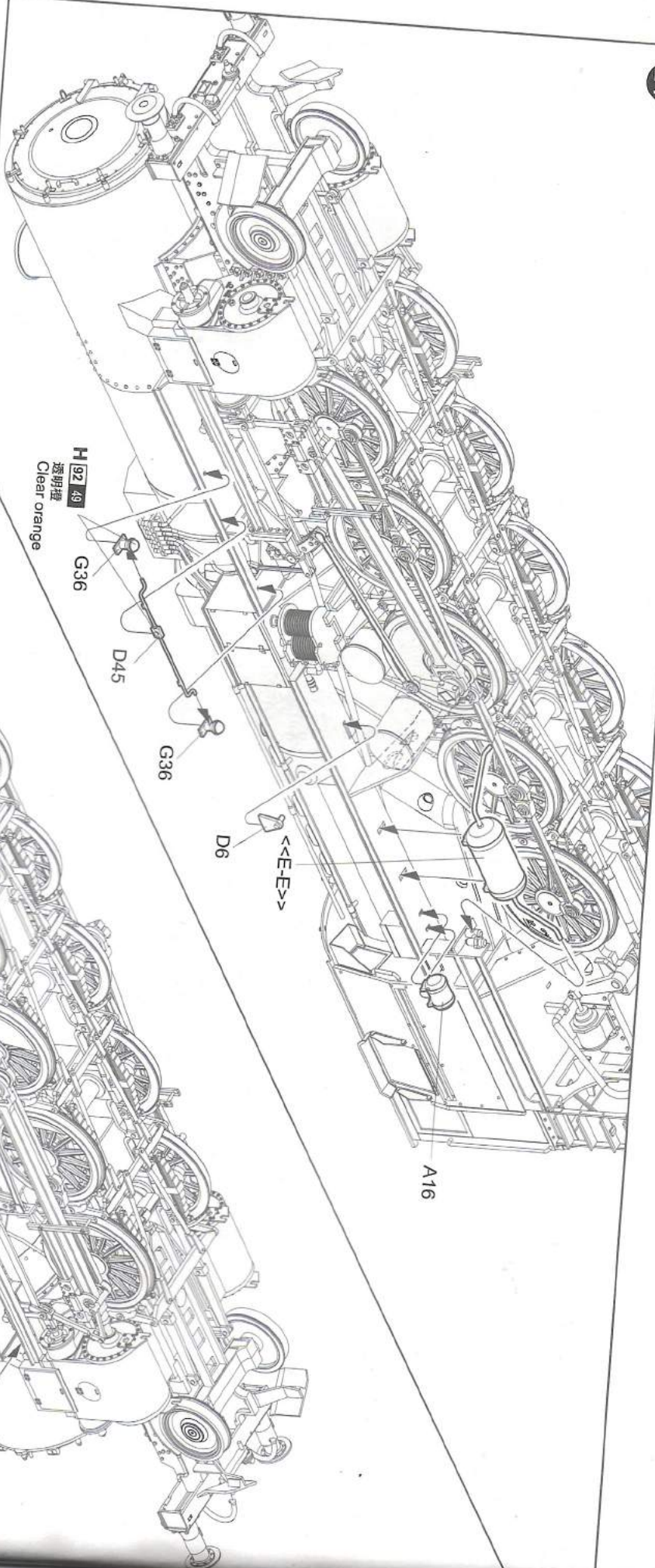
F32





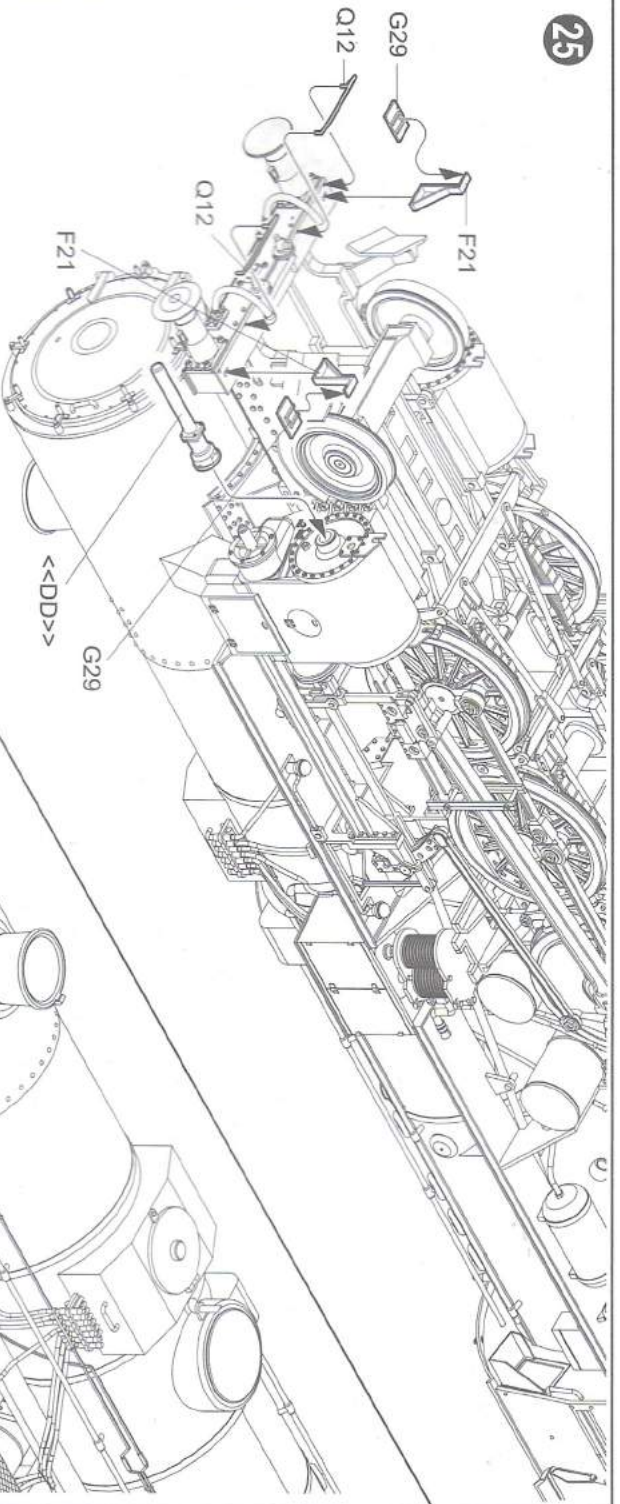


H33
红色
Red

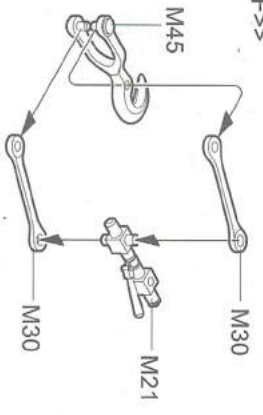


00210

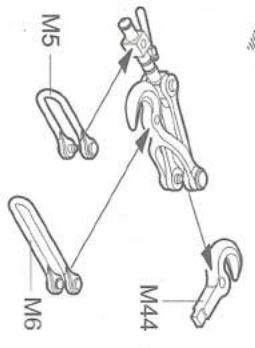
25



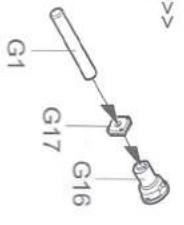
<<FF>>



制作2套
Make two

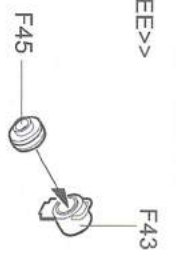


<<DD>>



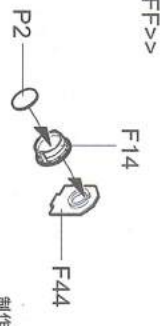
制作2套
Make two

<<EE>>

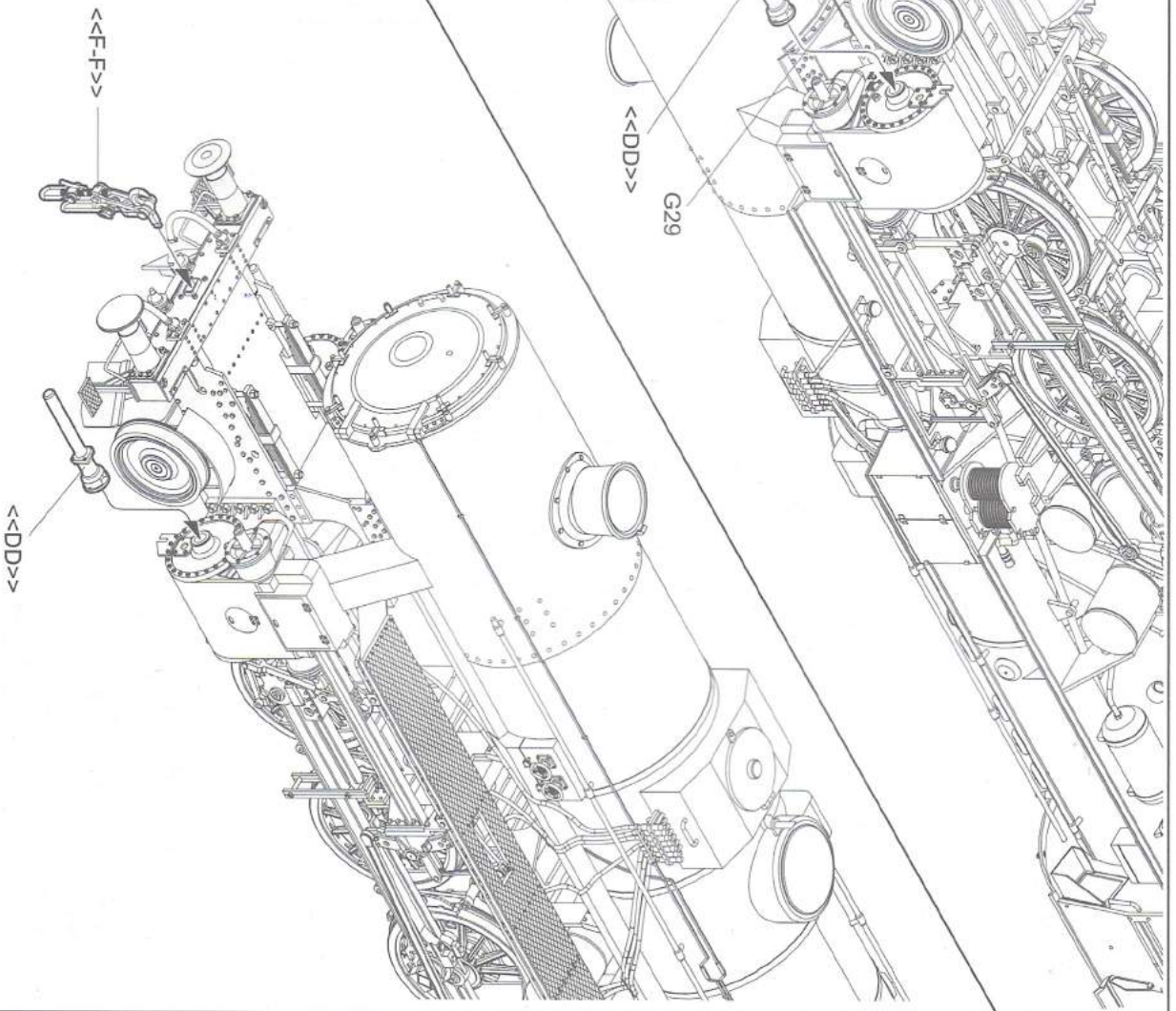


制作2套
Make two

<<FF>>



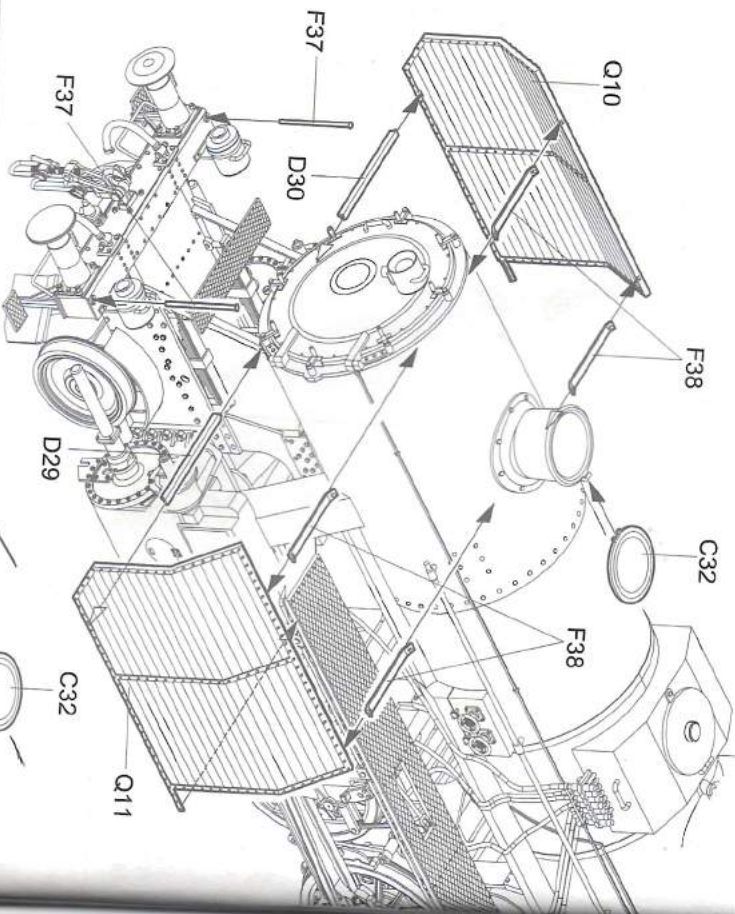
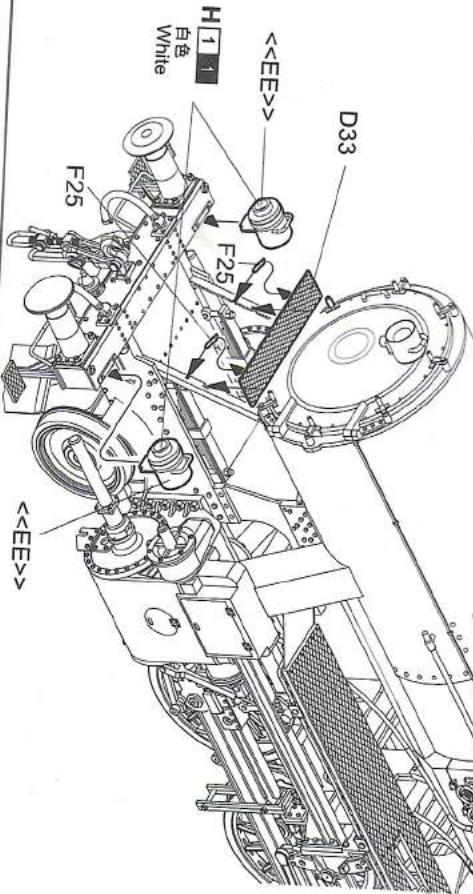
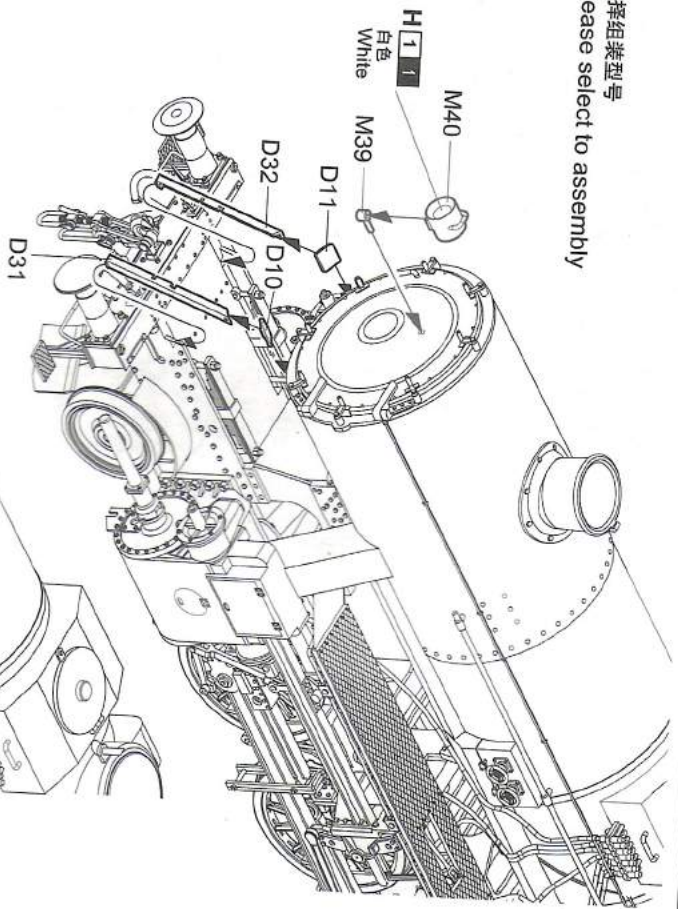
制作2套
Make two



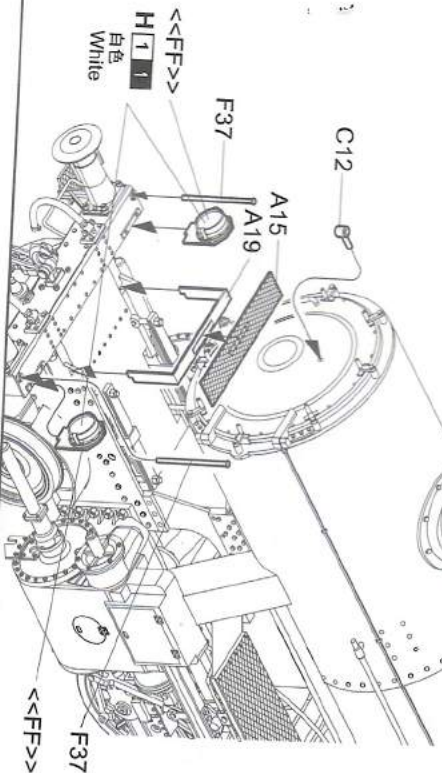
<<FF>>

<<DD>>

选择组装型号
Please select to assembly

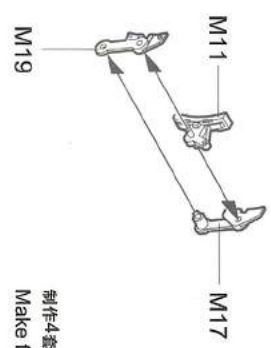


选择
Optional



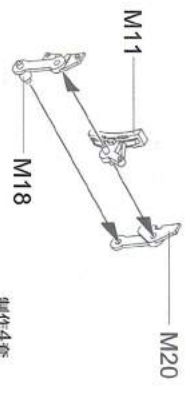
1 煤车组装
Tram assembly

<<GG>>



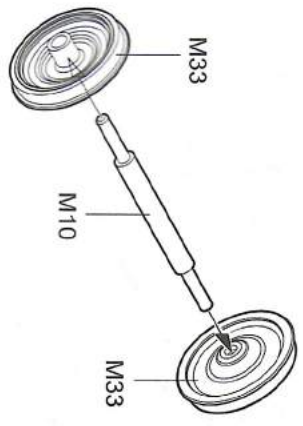
制作4套
Make four

<<HH>>

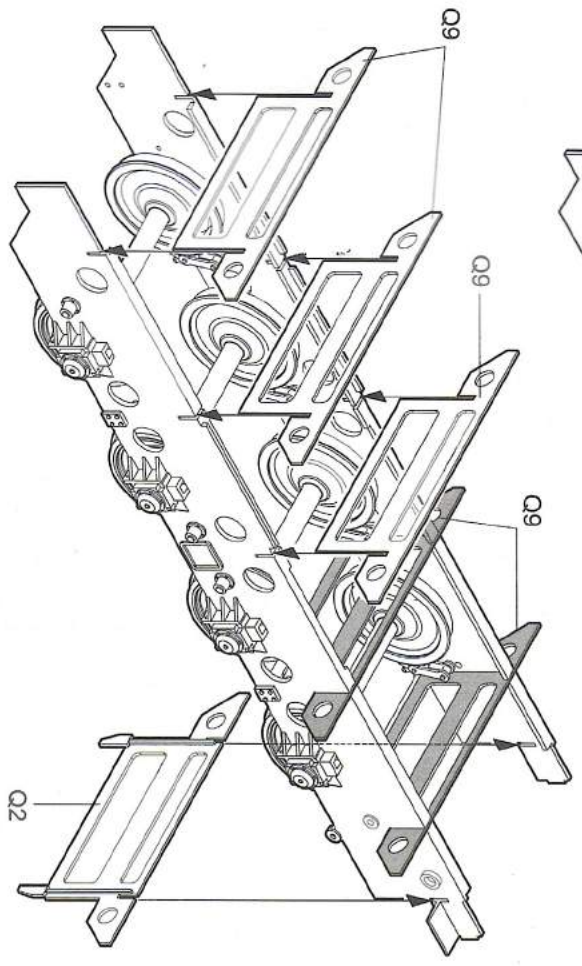
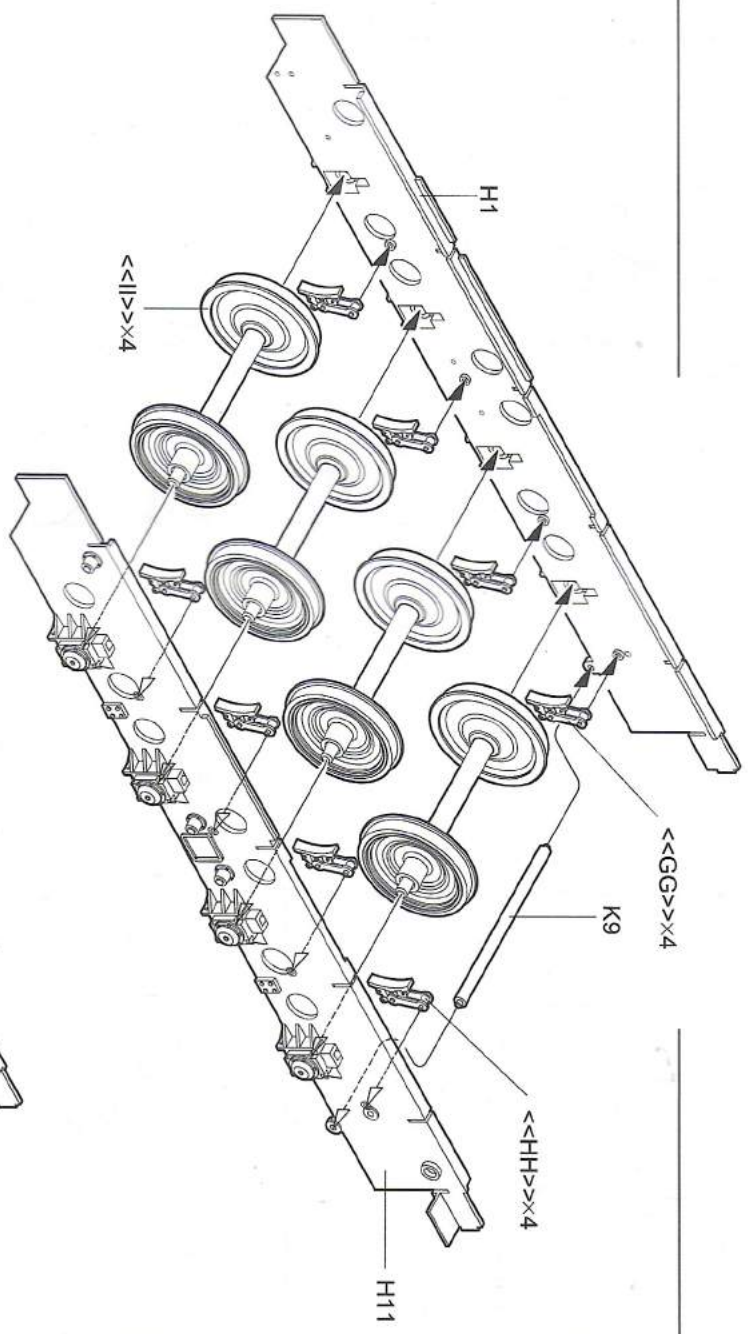


制作4套
Make four

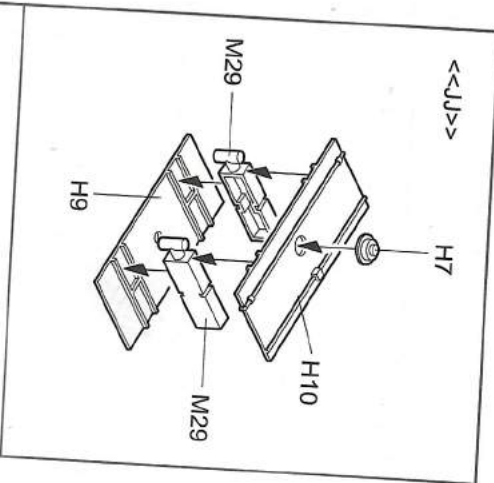
<<II>>



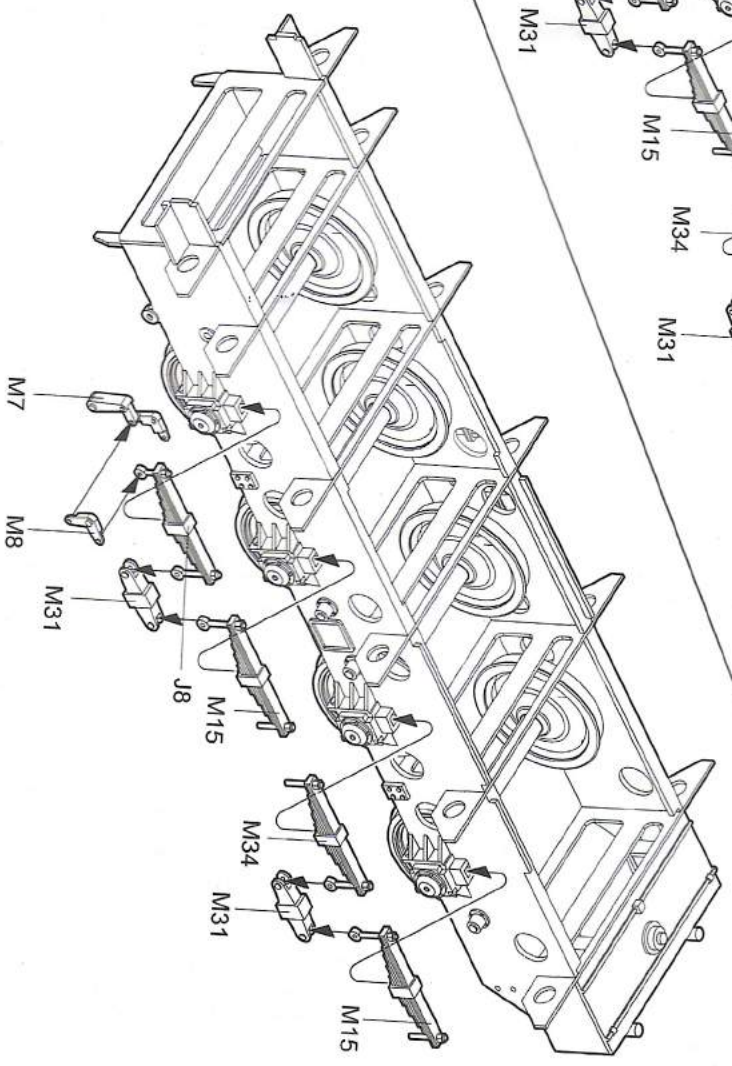
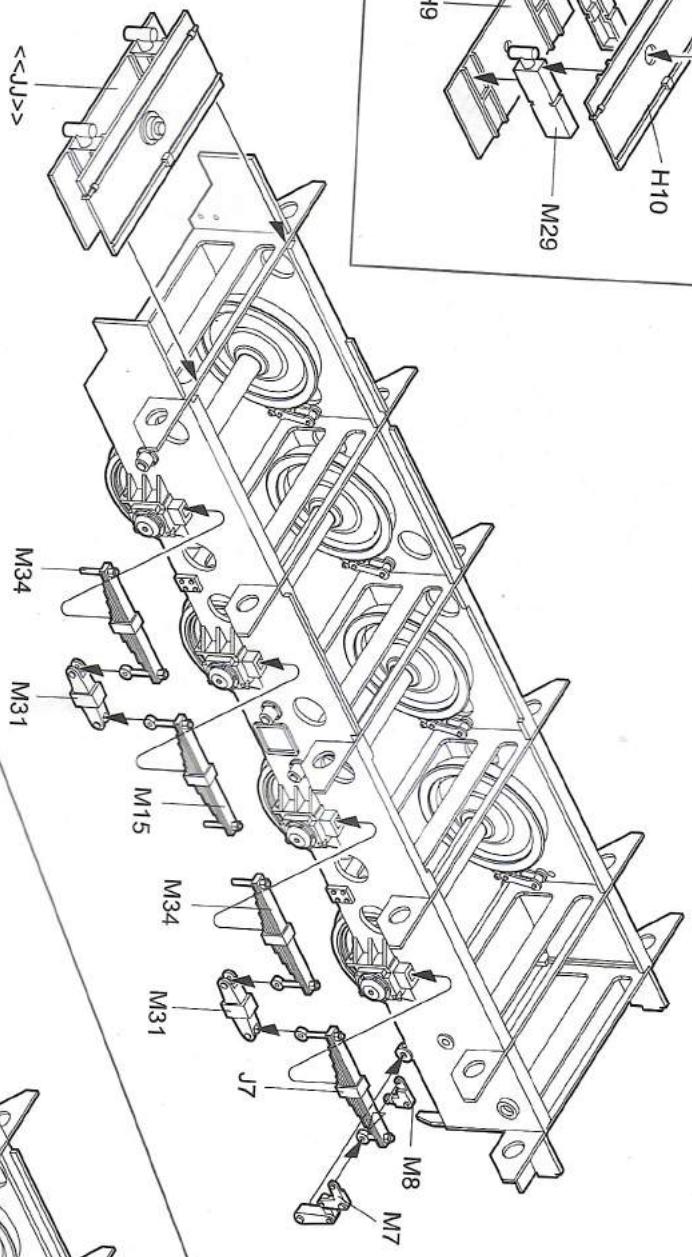
制作4套
Make four



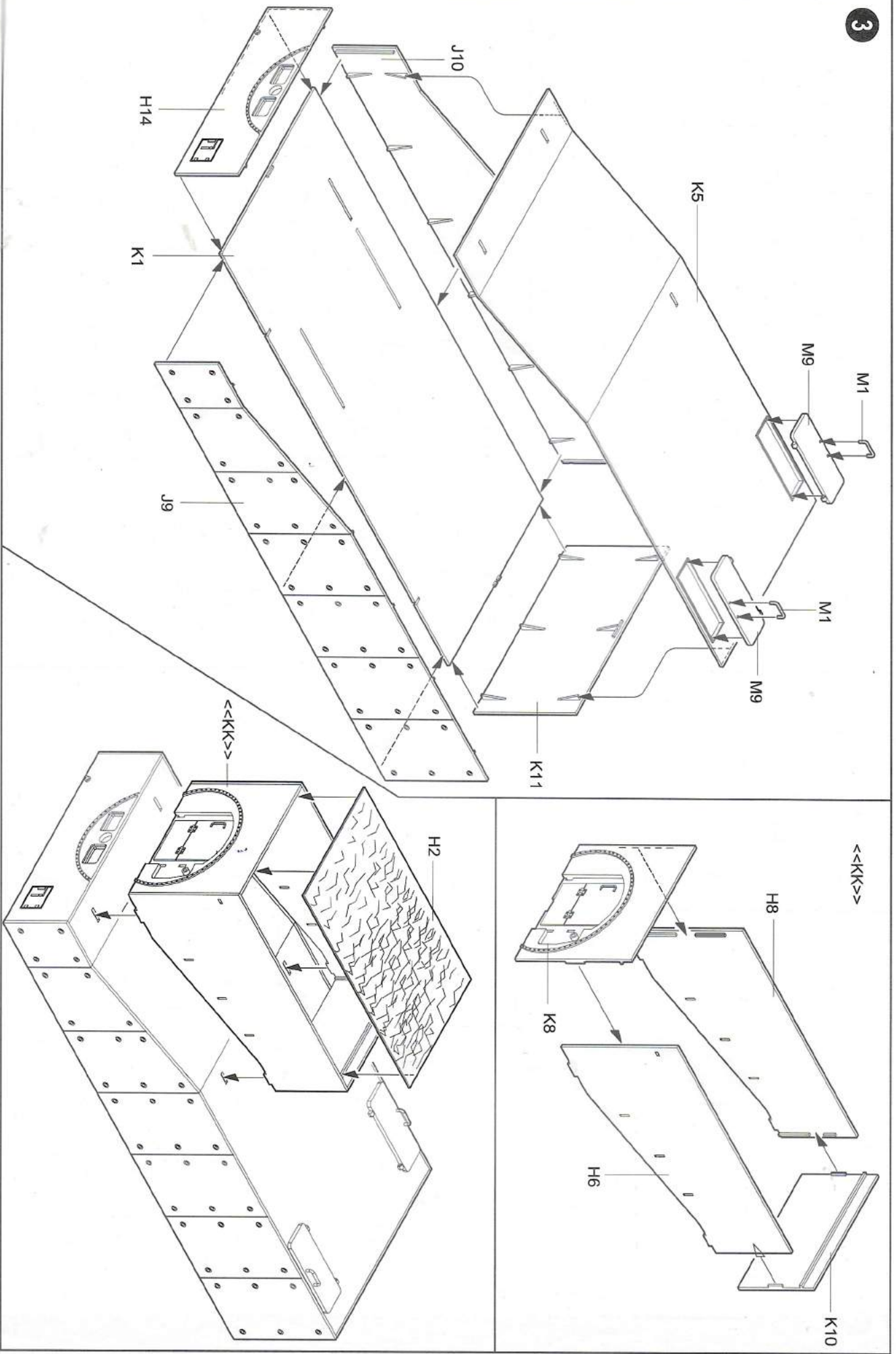
<<J>>



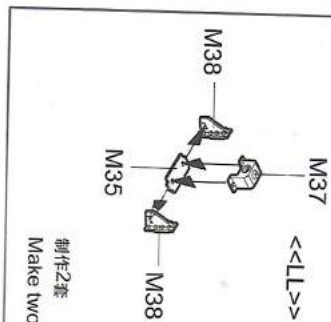
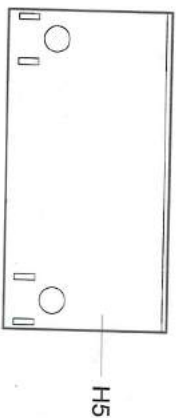
2



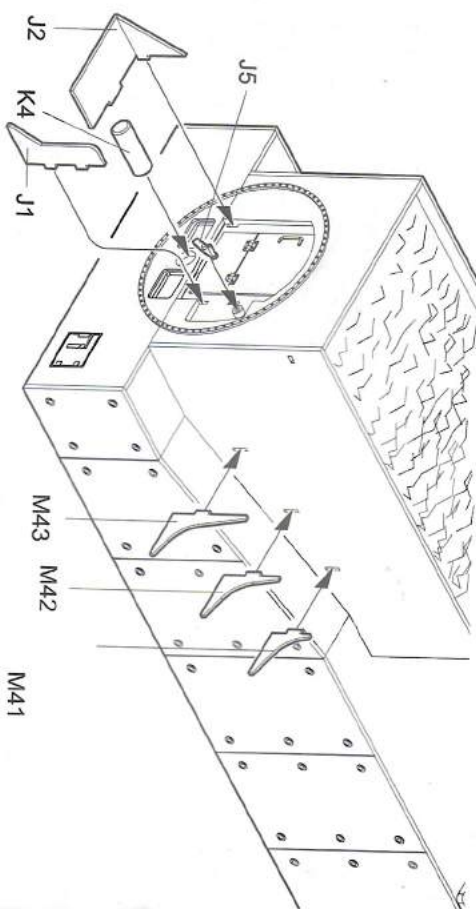
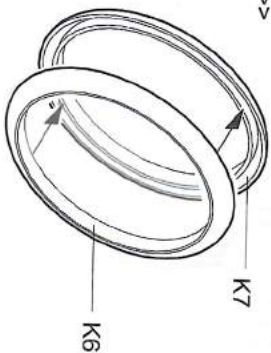
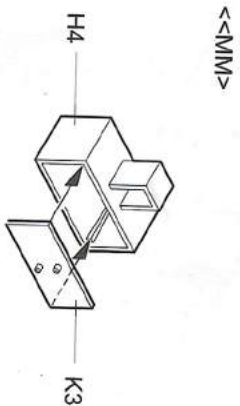
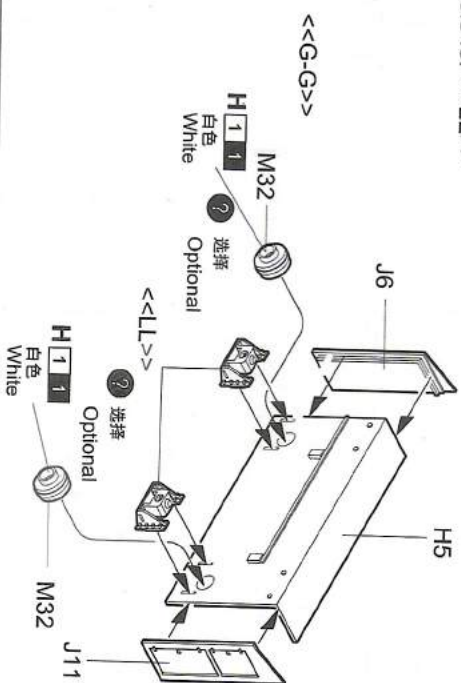
00210



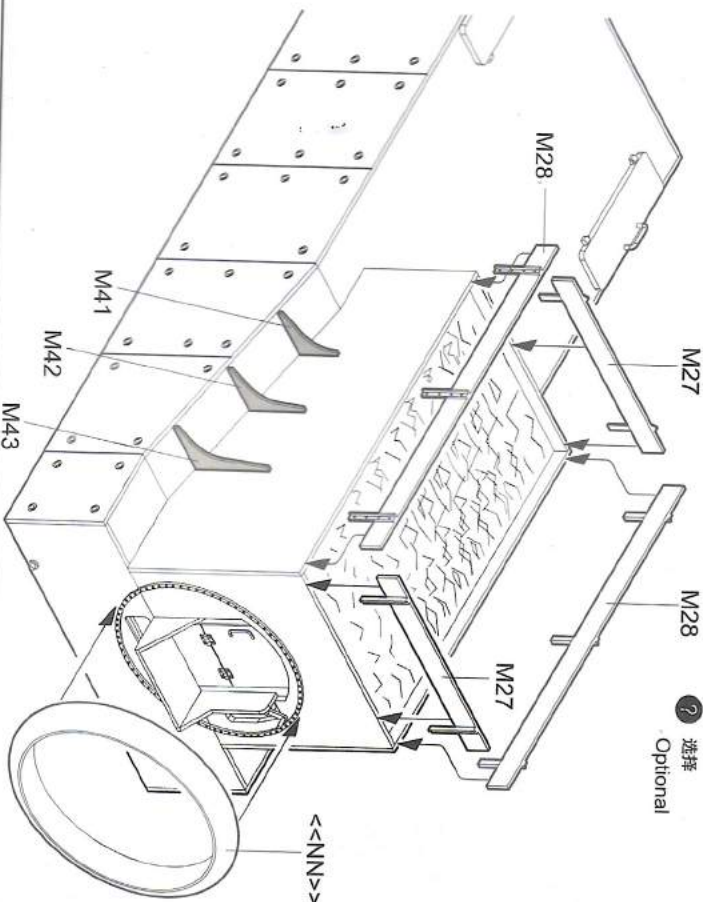
4



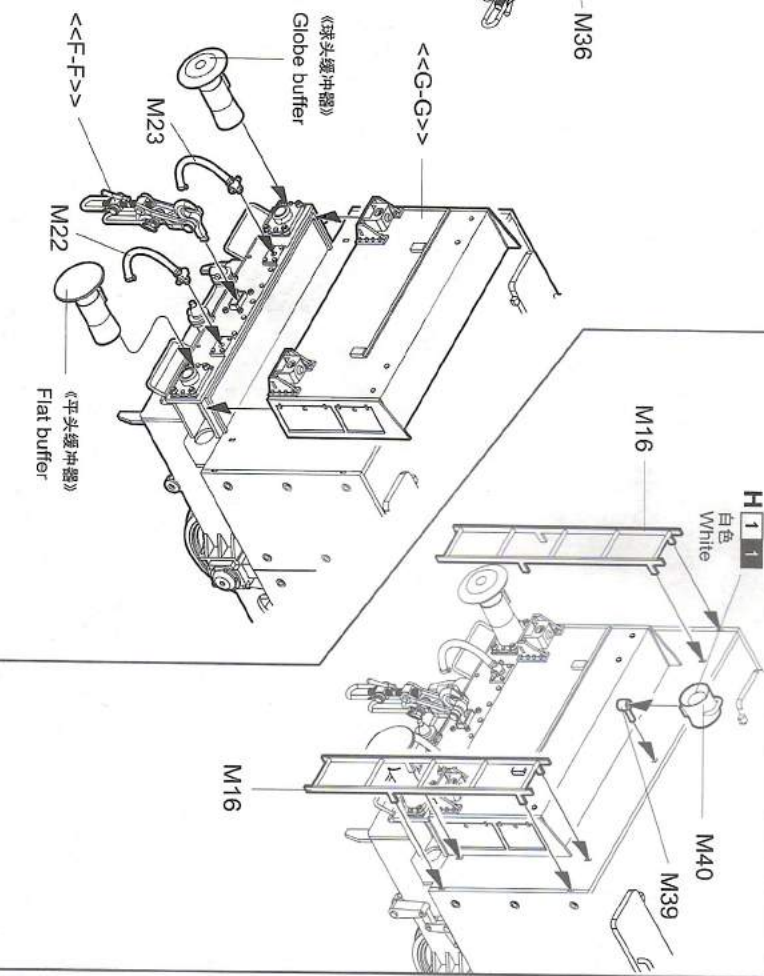
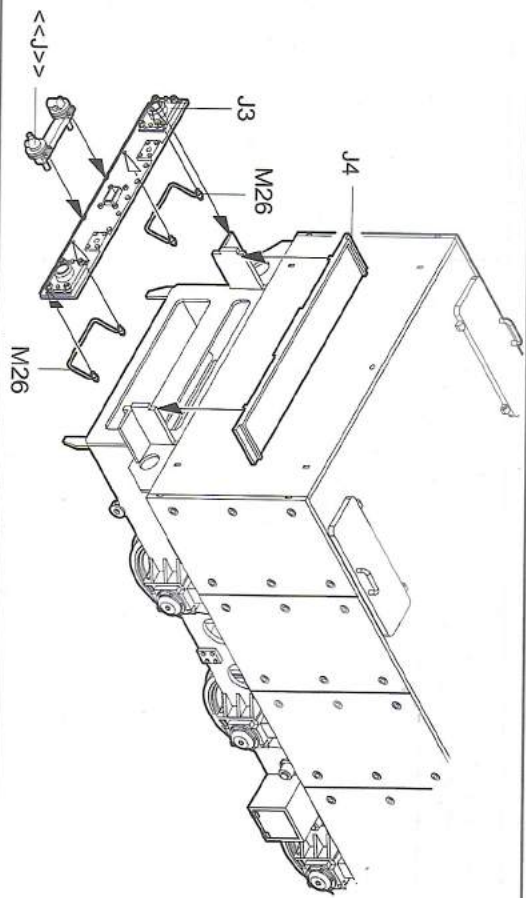
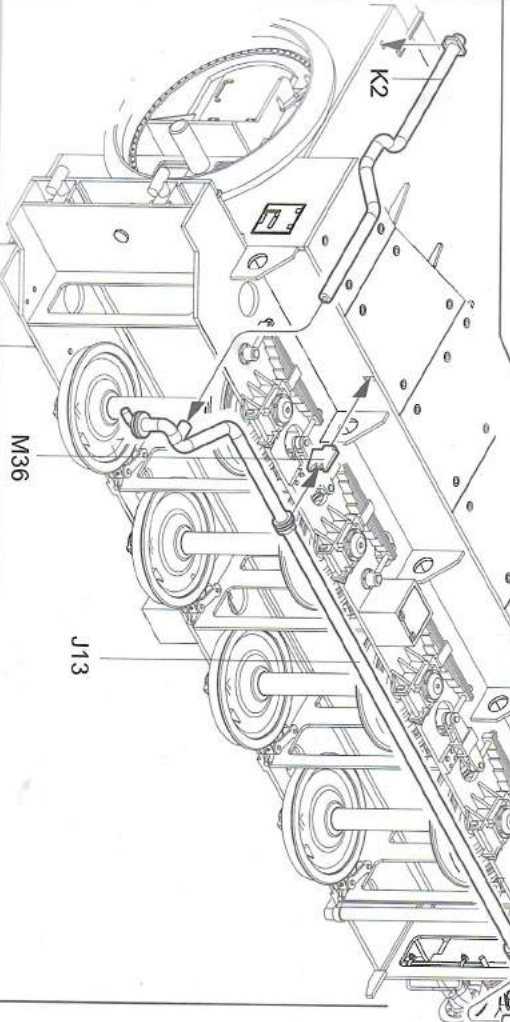
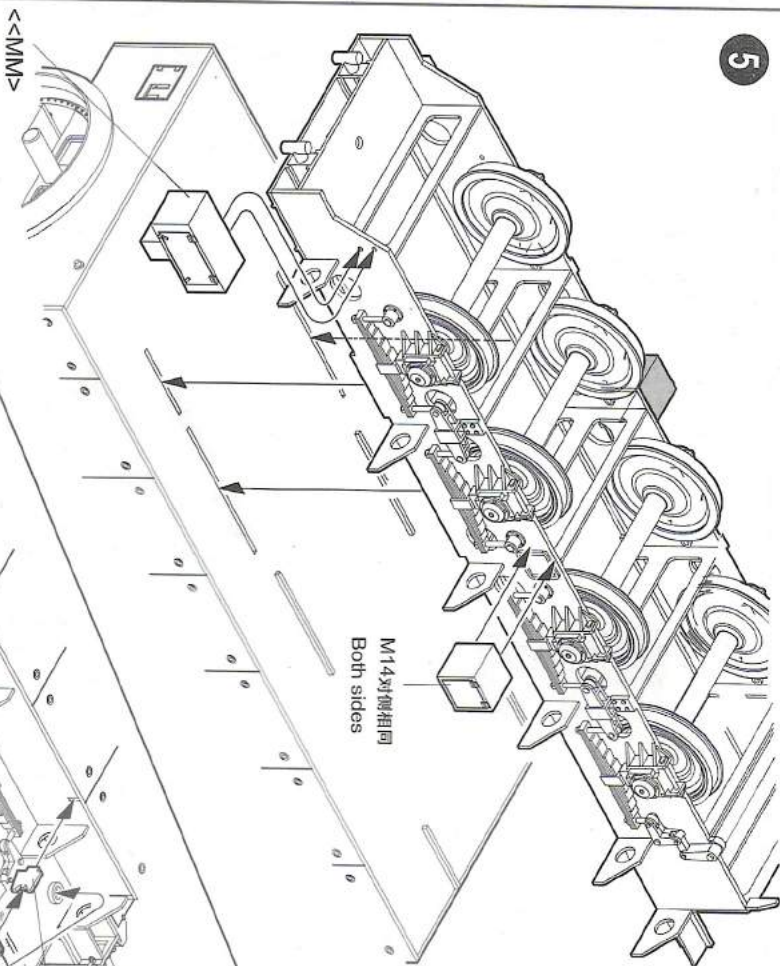
开圆孔组装M32, 开方形孔组装<<LL>>.
Open circle hole for M32 or square hole for <<LL>>



M27 & M28 选择安装
Please select to attach M27 M28



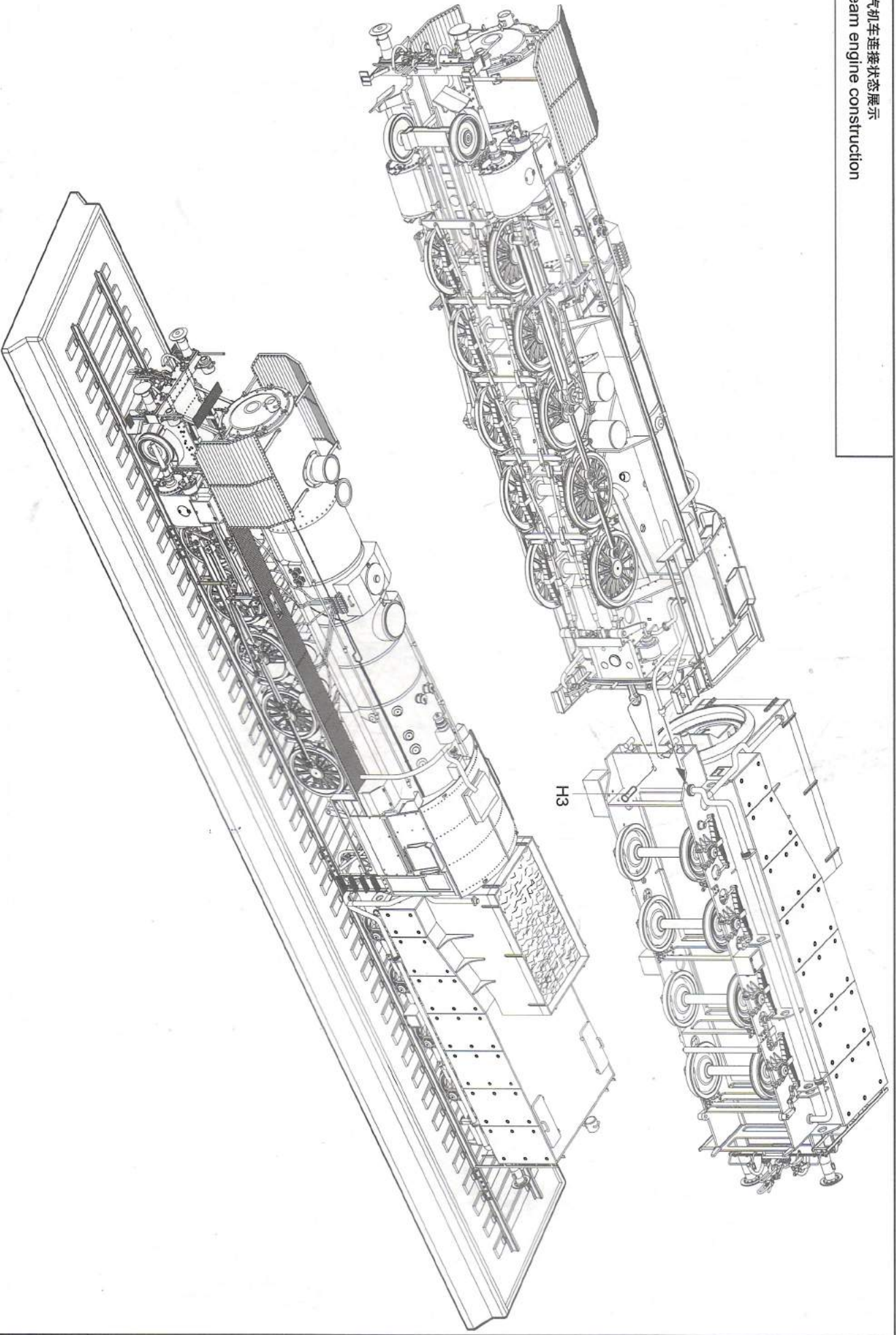
5



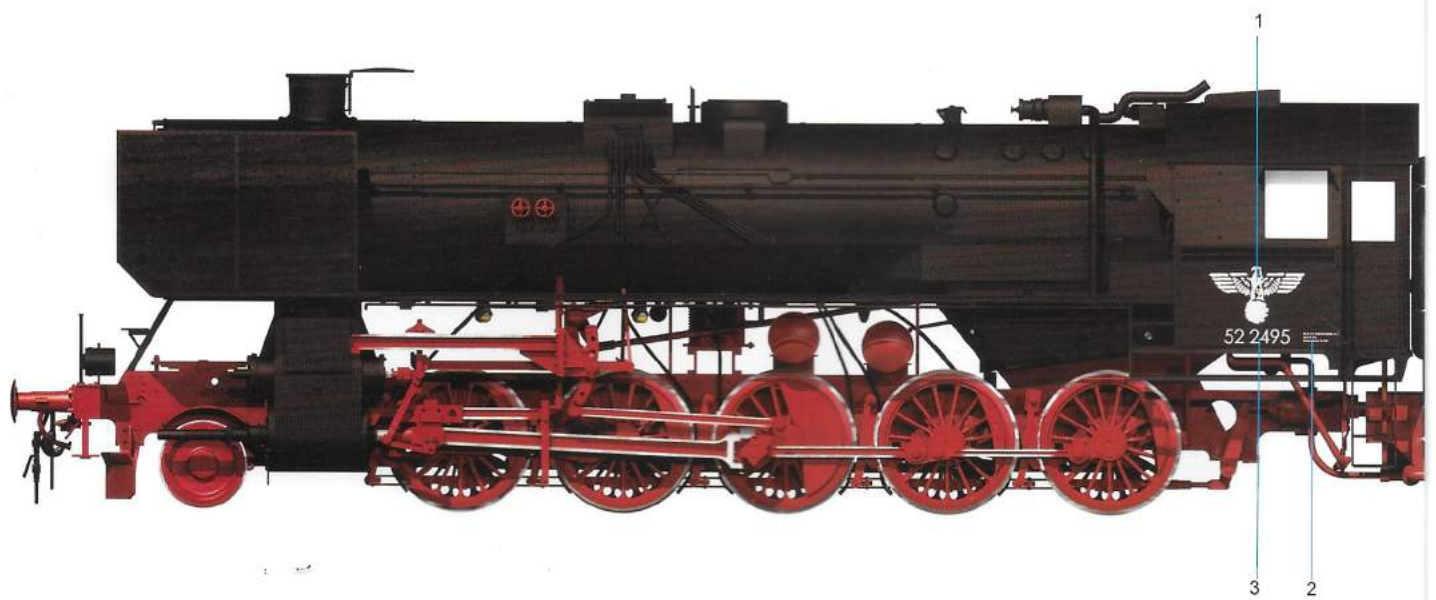
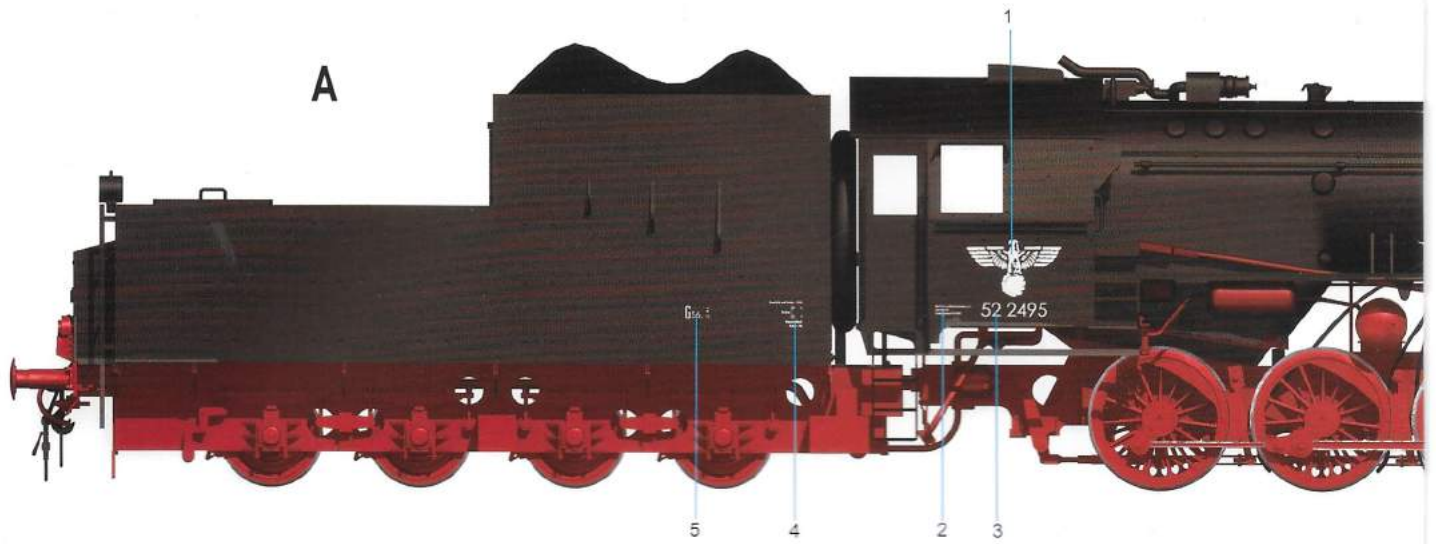
00210

35

蒸汽机车连接状态展示
steam engine construction

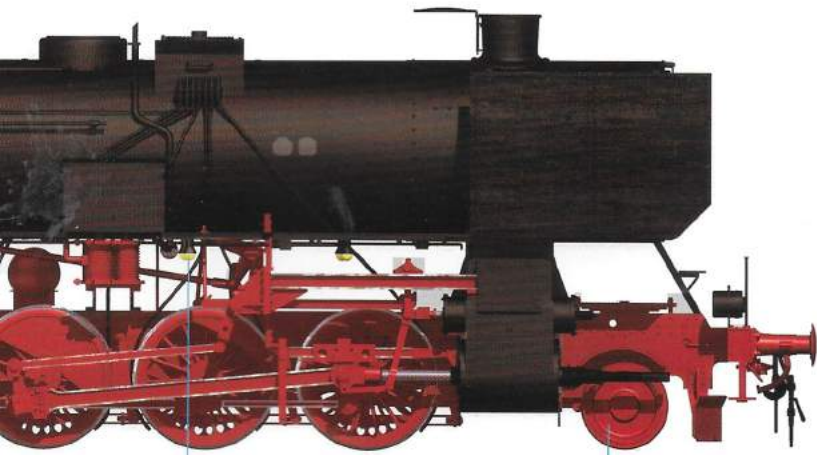


涂装同标贴指示
Painting & Marking guide



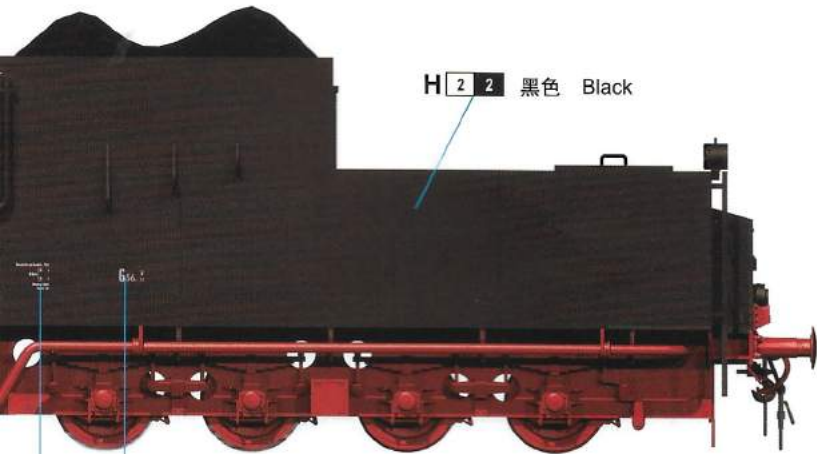
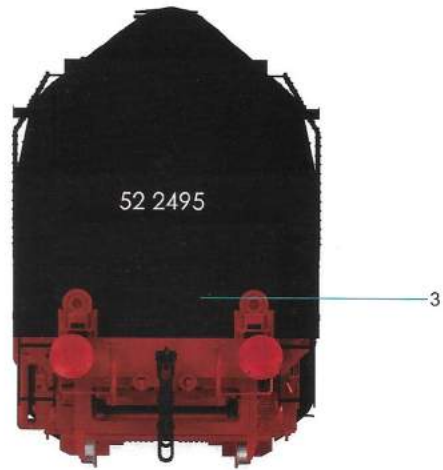
H 8 GUNZE SANGYO AQUEOUS HOBBY COLOUR

使用郡仕公司涂料
GUNZE SANGYO Mr. Color used



H 91 48 透明黄 Clear Yellow

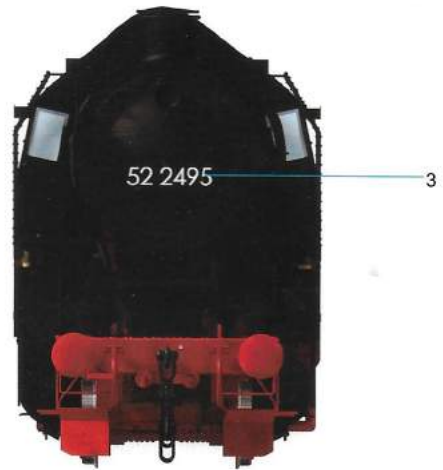
H 3 3 红 Red



H 2 2 黑色 Black

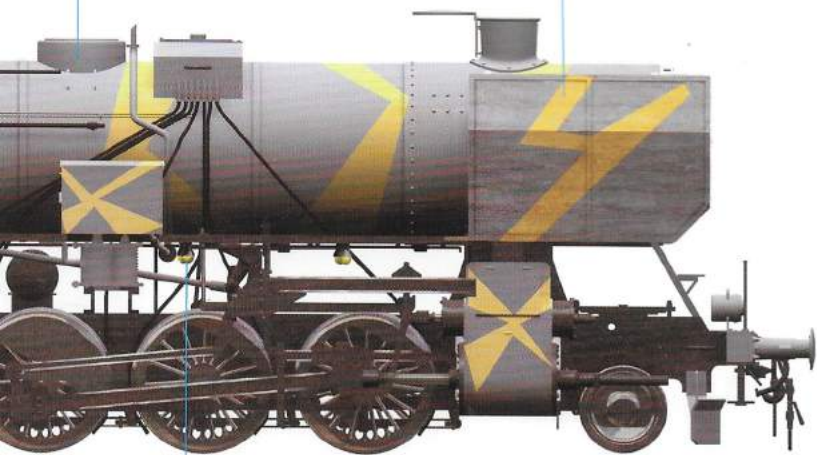
4

5



H 32 40 原野灰 (1) Field Gray

H 71 21 土黄色 Middle Stone



H 91 48
透明黄
Clear Yellow

