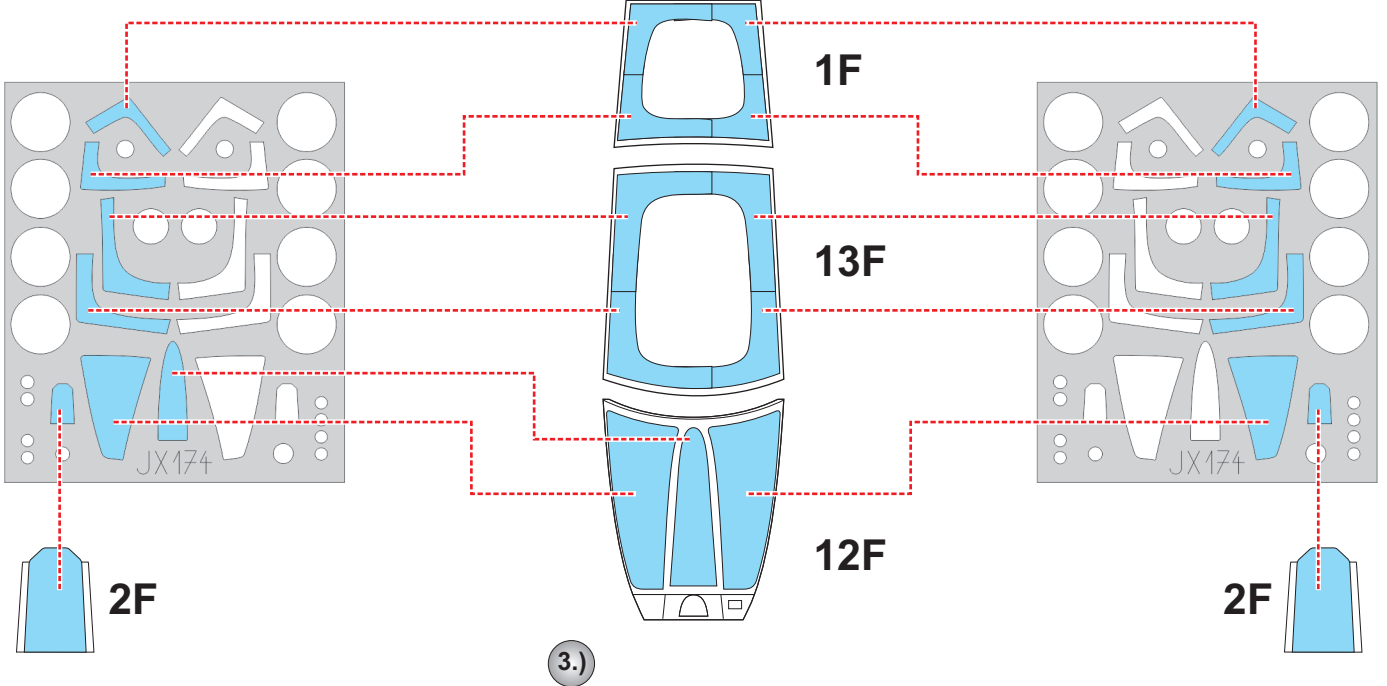
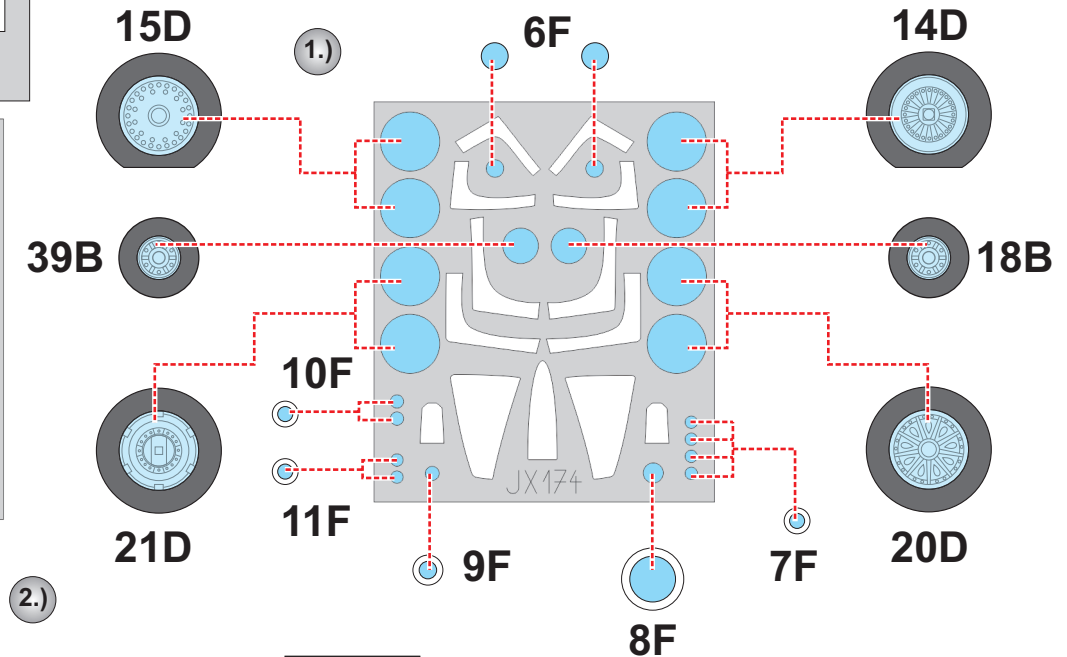
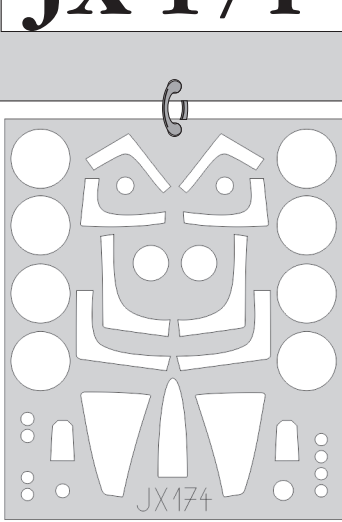


eduard
MASK

JX 174

F-104C 1/32

The die-cut mask for accurate canopy frame painting of the
Italeri scale 1/32 KIT



LIQUID MASK

