

F4U-4B Corsair

F4U-4B コルセア

美国F4U-4B“海盗”战斗机

PLEASE READ BEFORE OPERATION!

- * Tools recommended as below: (Not included)
Adhesives; Paints; Side Cutters; Sharp Edged Pliers; Modeling Knife; Modeling File; Nippers; Drill; Scissors; Sand Paper; Soft Cloth; Cyanoacrylate Glue.
- * Make sure to read this instruction listed below before assembling.
- * The kit contains the small parts, they can be dangerous if swallowed by mistake, so keep them away from reach of children.
- * Cut the all parts off carefully and remove the waste parts into the garbage can.
- * More caution and care should be needed for cutting and handling the photo etched parts.
- * Make attention that some parts should be attached the decal when assembled.
- * During assembling, please tear up and throw away the plastic bags, or may cause the dangerous if wearing over head by children's mistake.
- * When using the adhesives and paints, please do not use them in the closed room or near the fire, also must be very careful to protect your eyes, face and clothes.
- * Adult supervised when assembled by children under 14 years old.

装配前请仔细阅读:

- * 推荐使用的模型工具(请自备):
专用模型胶水, 专用模型油漆, 水口剪刀, 长咀钳, 刀片, 锉刀, 镊子钳, 钻, 剪刀, 软布, 砂纸, 瞬间快干胶等。
- * 用水口剪刀或刀片小心切下所有塑胶零件和蚀刻片零件, 不要遗失小零件。
- * 切取蚀刻片时应特别注意防止利边划伤手指。
- * 用模型锉刀小心锉平所有零件表面的注射浇口。
- * 用适量的强力快干胶水粘合蚀刻片零件和金属轴, 切忌过量, 否则可能导致可动零件被粘住。
- * 注意某些零件表面需在装配时同步贴水上水贴纸。
- * 制作时应远离幼儿并将包装袋及时收妥, 谨防小孩玩耍而引起意外。



cyanoacrylate glue
强力胶



weight
配重



make hole
钻孔



cut / remove
切除



option
选择



no cement
不涂胶水



decal
贴纸



bend
弯曲



repair
填补

The method to apply the decals

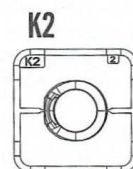
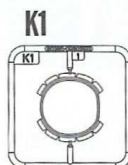
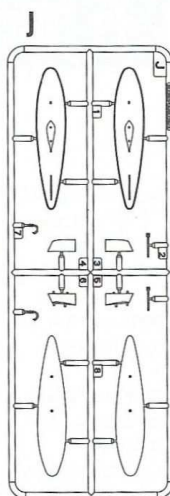
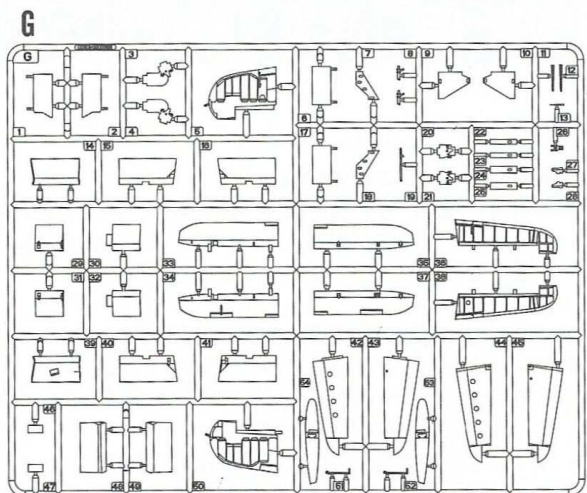
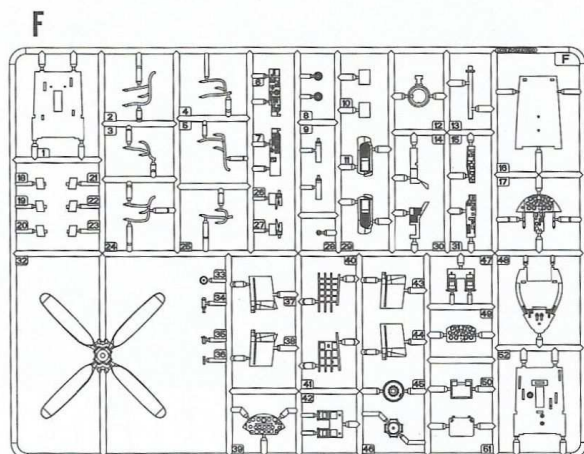
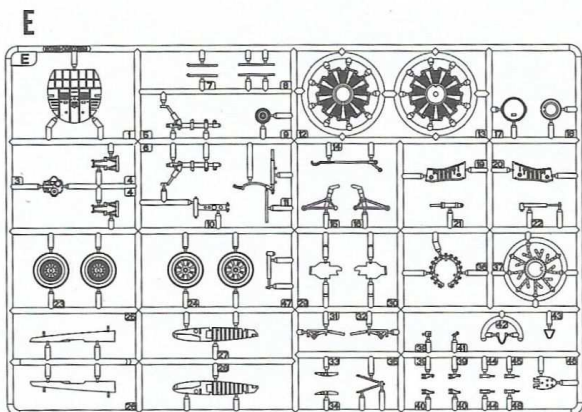
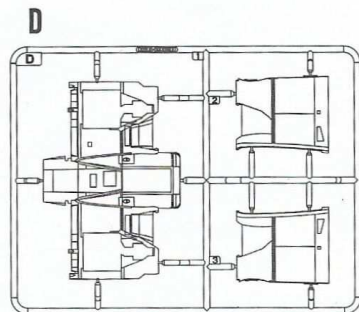
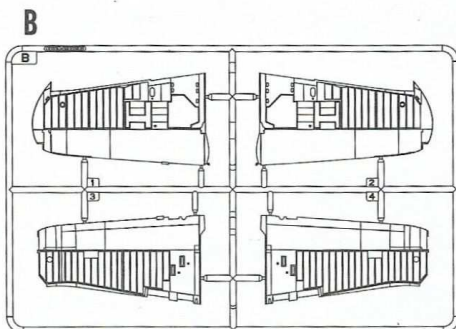
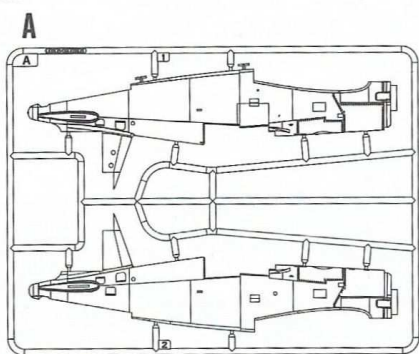
1. Cut off the decal from the decal paper and put it into the warm water 40°C for 10 seconds.
2. Take the decal from the water and put it on a piece of clean cloth.
3. Remove the decal slowly from the paper to the targeted location by a wet finger.
4. Use a piece of dry and soft cloth to press it gently on the decal until it getting dry and no bubble existing.

水贴纸的使用方法:

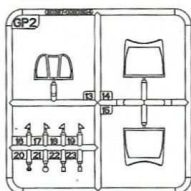
- 一. 把相关的印花从水贴上剪下, 放入40°C左右的温水中浸10秒。
- 二. 然后将印花放在干净的布上。
- 三. 拿上印花纸板, 手指蘸水将印花移到适当的位置。
- 四. 用软干布轻压印花直至水干, 气泡消失。

部品图

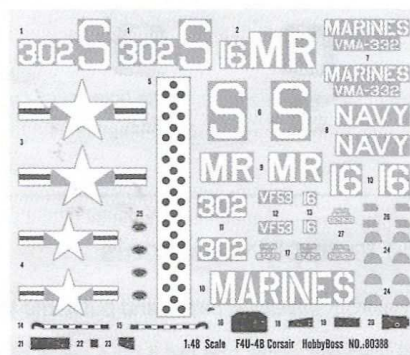
Parts



GP2



《水贴》
Decal

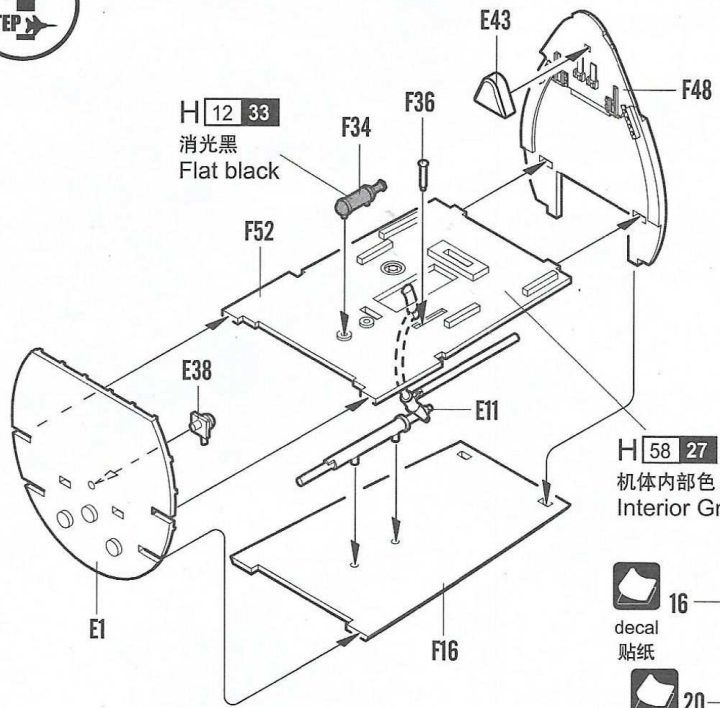


不用的部件: F1 F6 F7 F39 F42 F43 F44 G11 G13 GP18 GP19

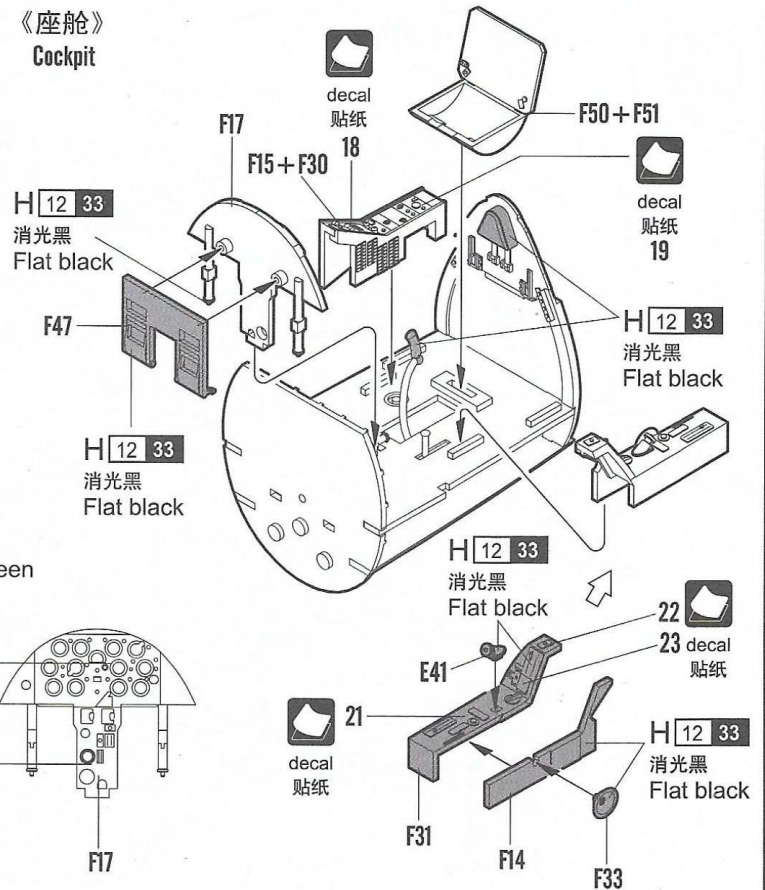
Unused parts

1:48 Scale F4U-48 Corsair HobbyBoss NO.80388

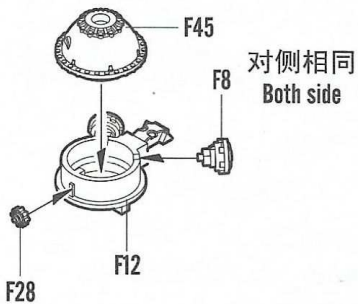
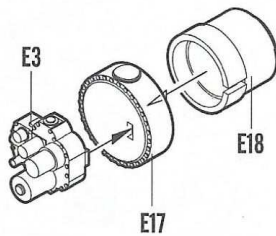
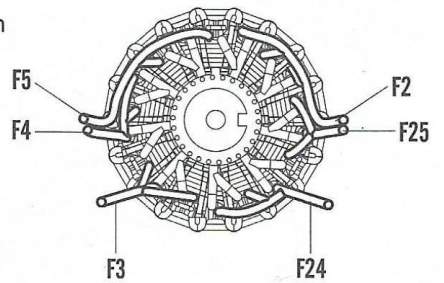
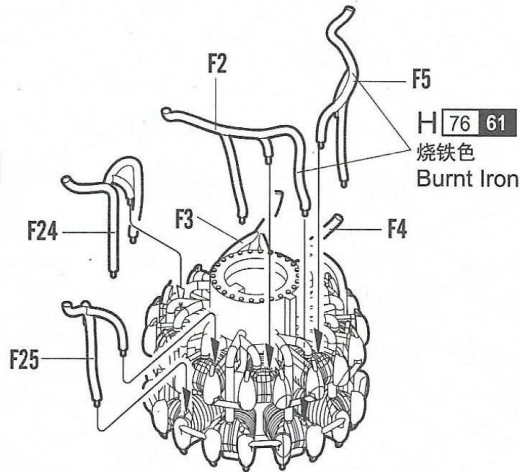
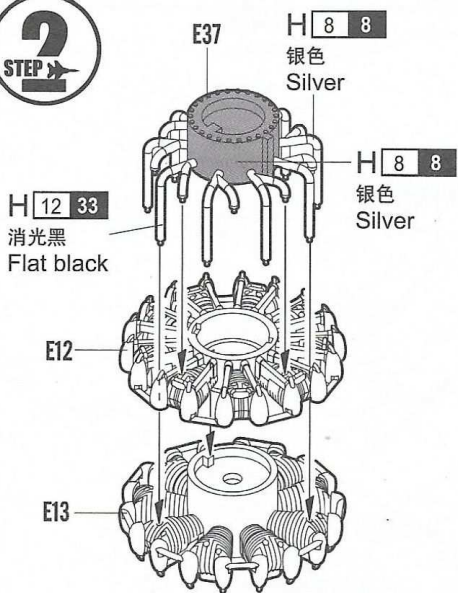
1
STEP



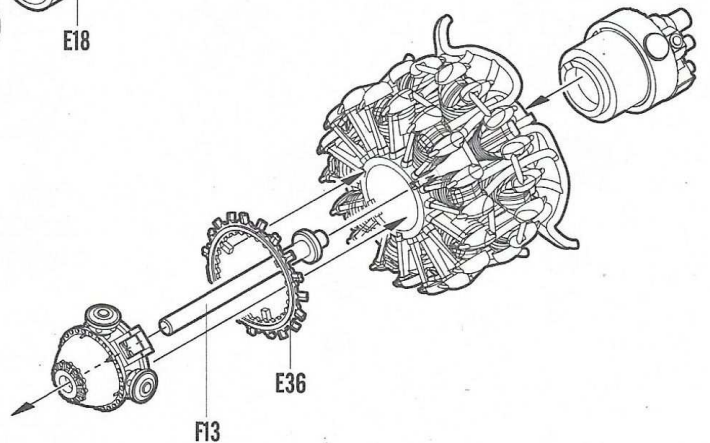
《座舱》
Cockpit



2
STEP

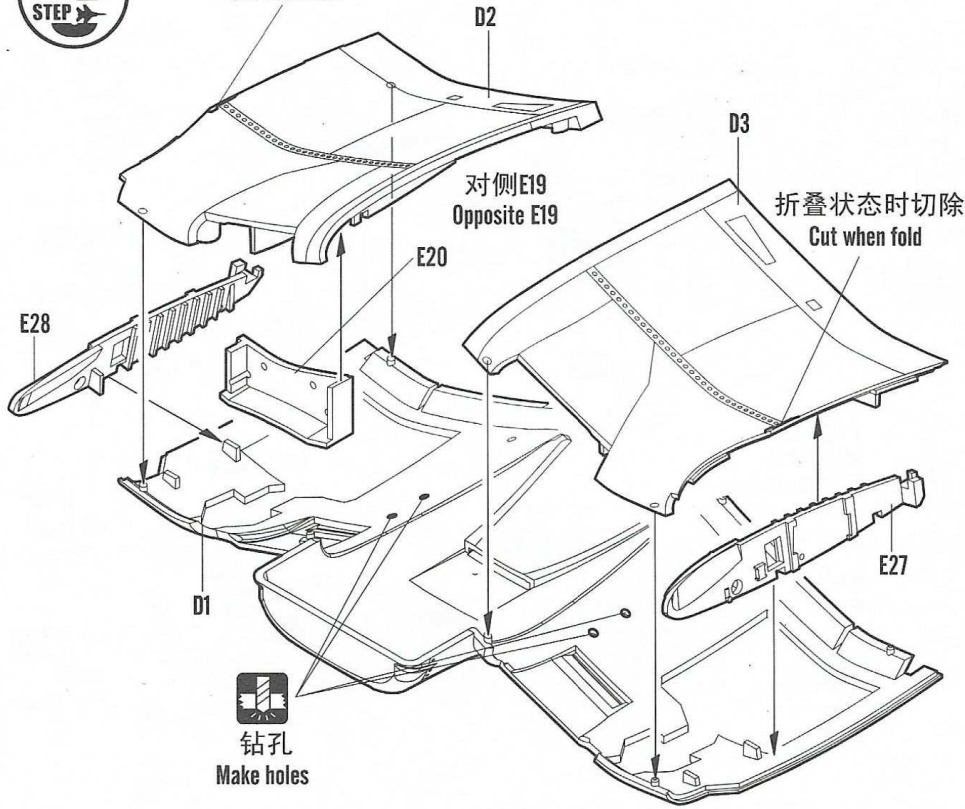


《发动机》
Engine



3
STEP

折叠状态时切除
Cut when fold



4
STEP

E22

选择
Option

E47

E15

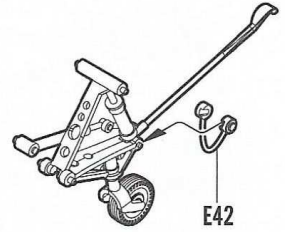
E9

E14

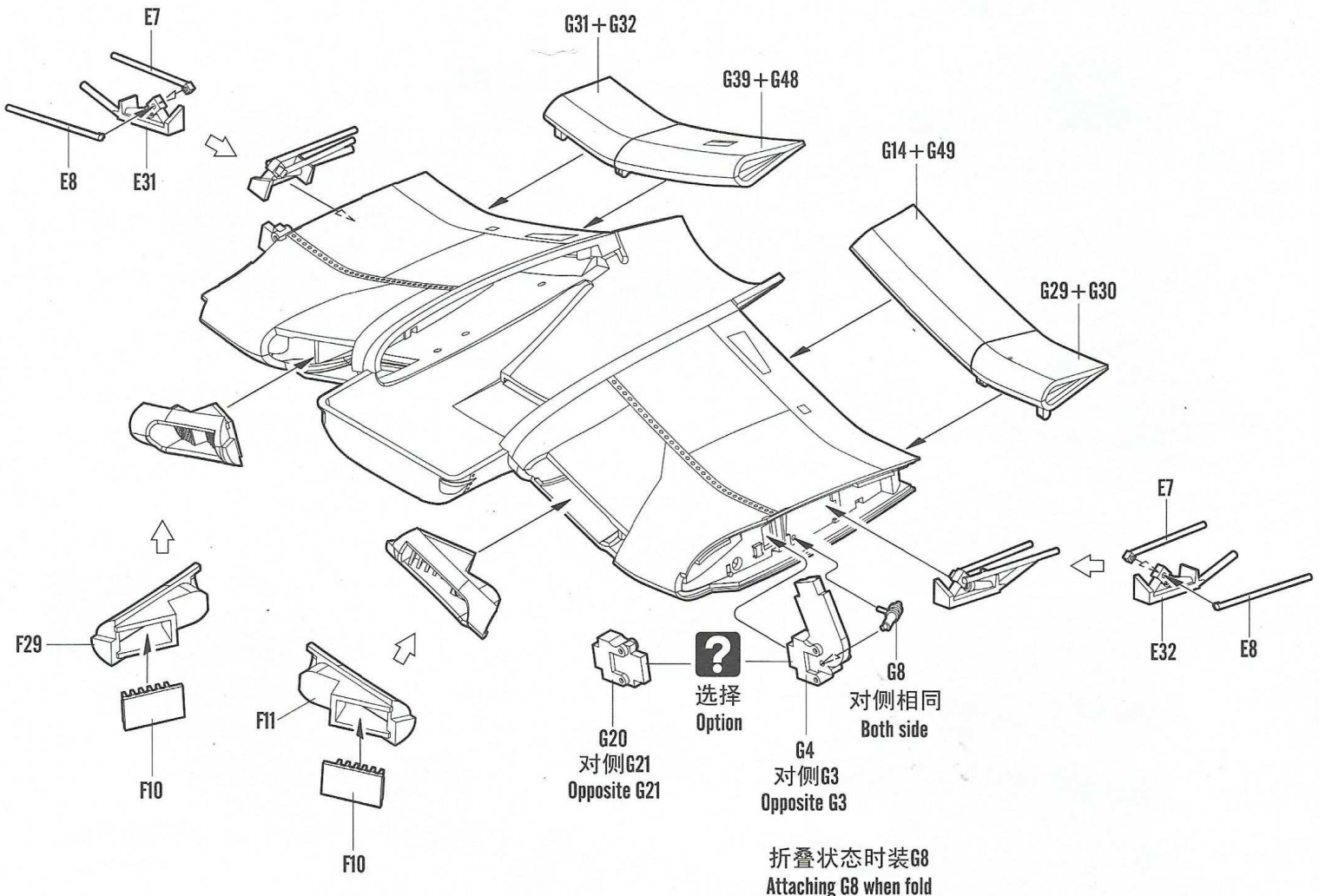
E10

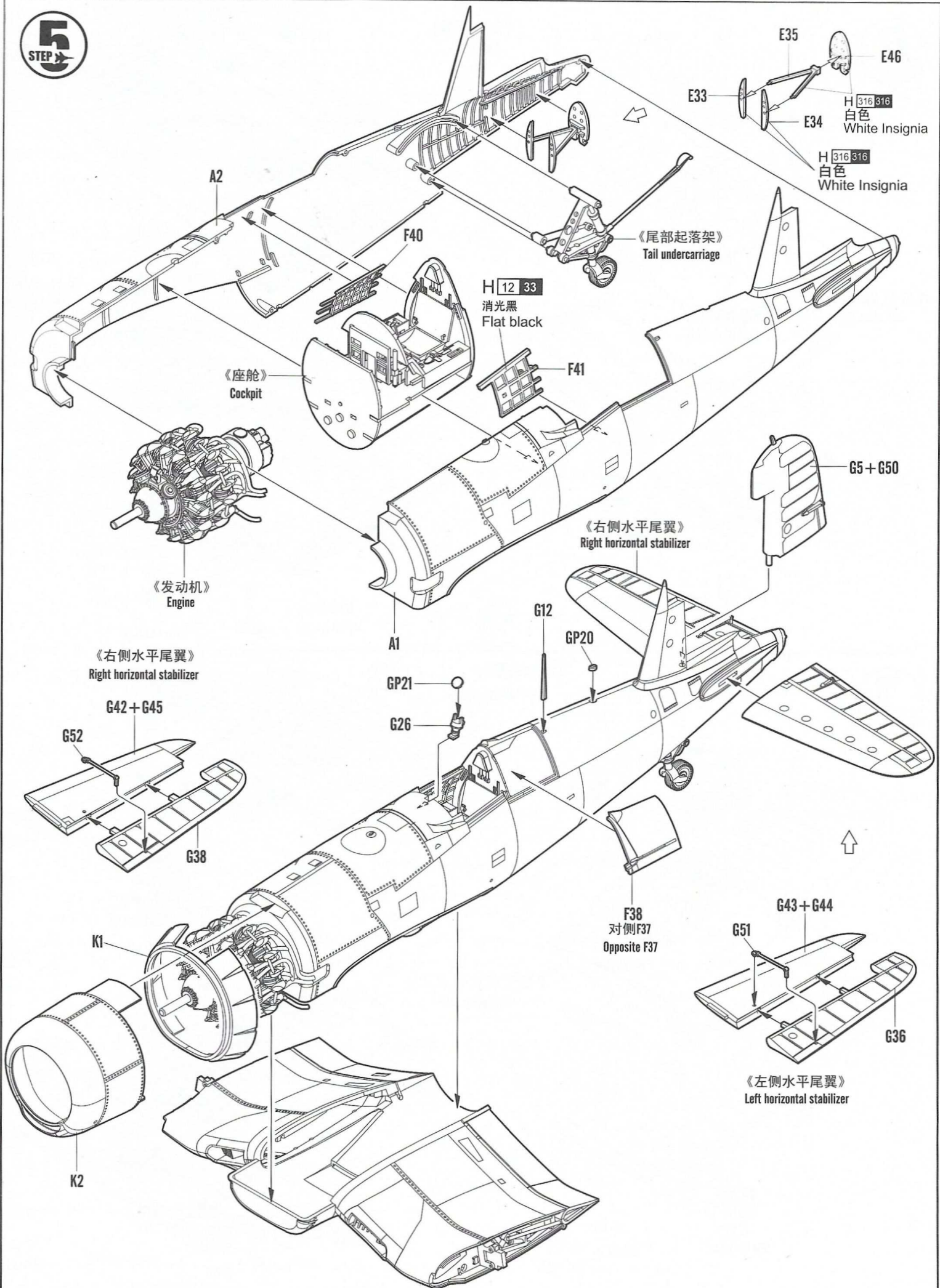
E21

E16



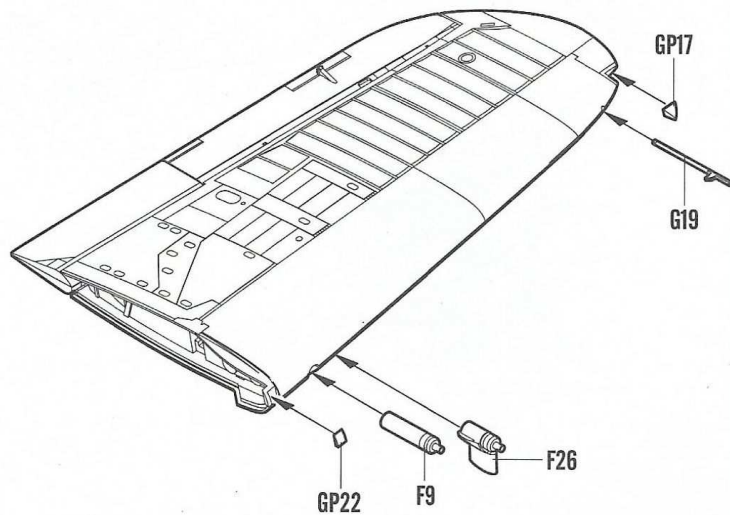
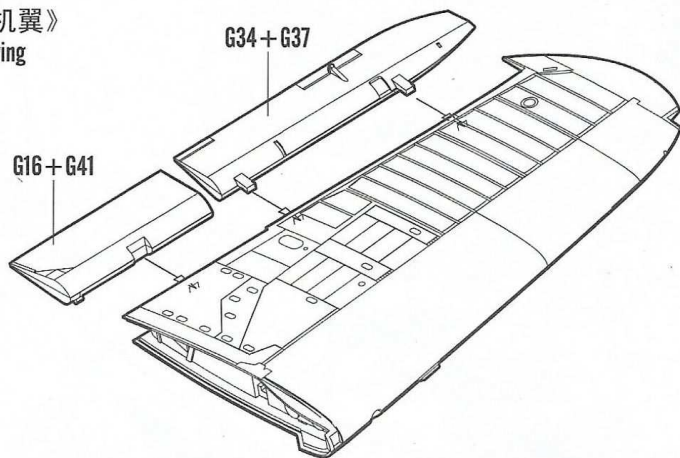
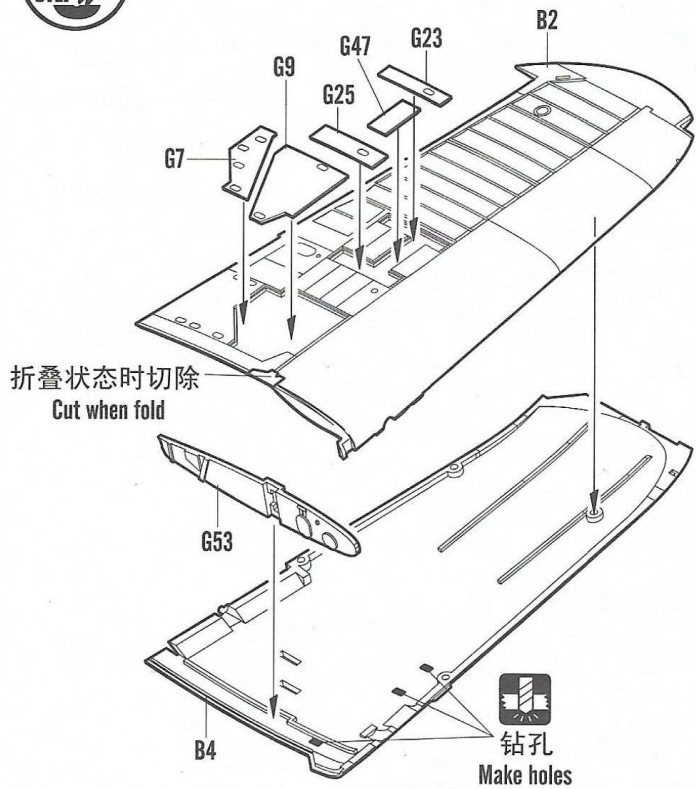
《尾部起落架》
Tail undercarriage



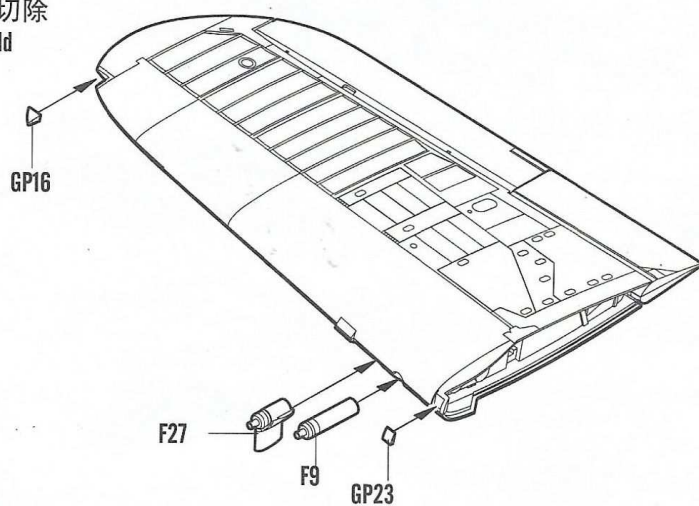
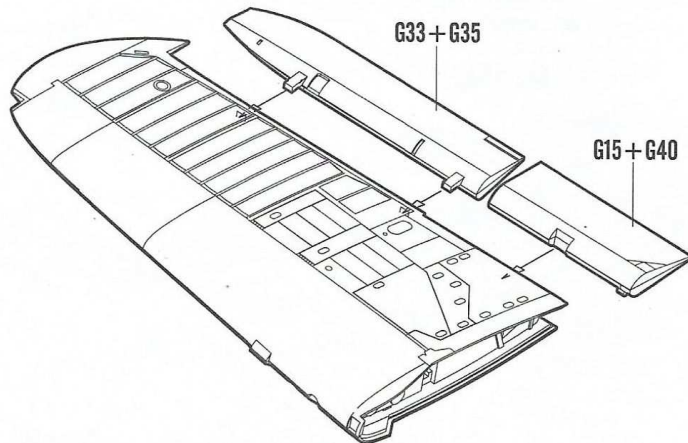
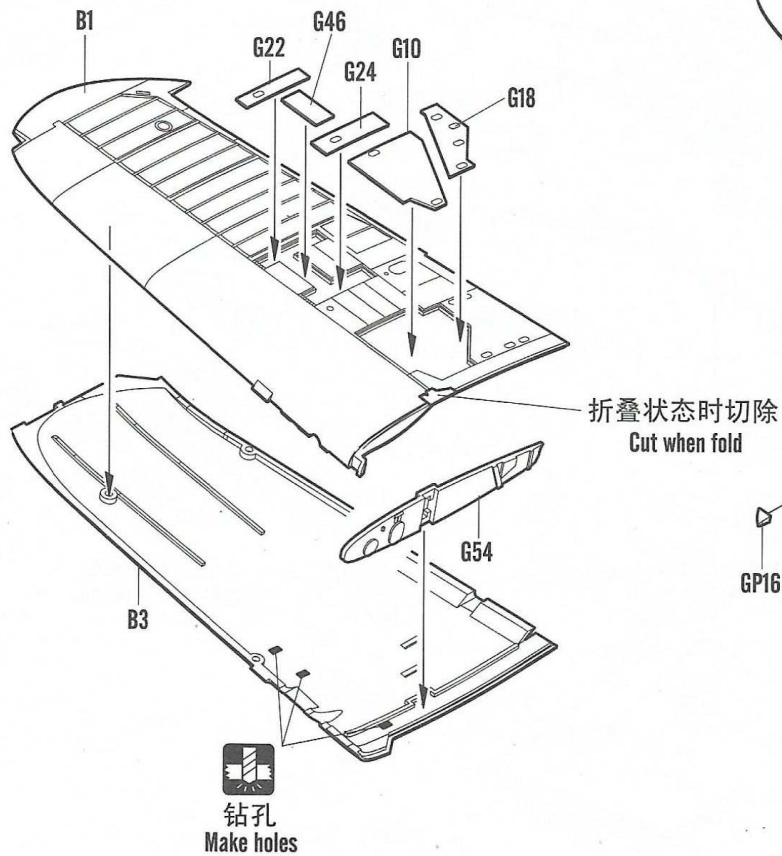




《左侧机翼》
Left wing



《右侧机翼》
Right wing





《右侧机翼》
Right wing

G27

折叠状态时装G27
Attaching G27 when fold

GP13

GP15

折叠
Folding

选择
Option

G28

折叠状态时装G28
Attaching G28 when fold

《右侧主起落架》
Right main undercarriage

E30

E23 + E24

E5

E4

E39 + E40

对侧相同
Both side
E44

对侧G6
Opposite G6

G17

《右侧主起落架》
Right main undercarriage

折叠
Folding

选择
Option

对侧G1
Opposite G1

对侧相同
Both side
E45

G2

《左侧主起落架》
Left main undercarriage

对侧E26
Opposite E26

E25

E4

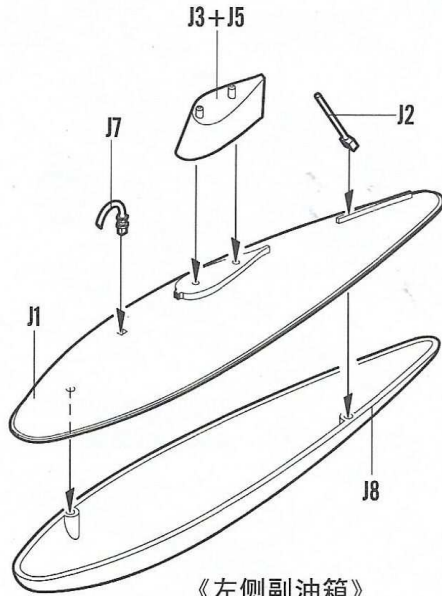
E23 + E24

E39 + E40

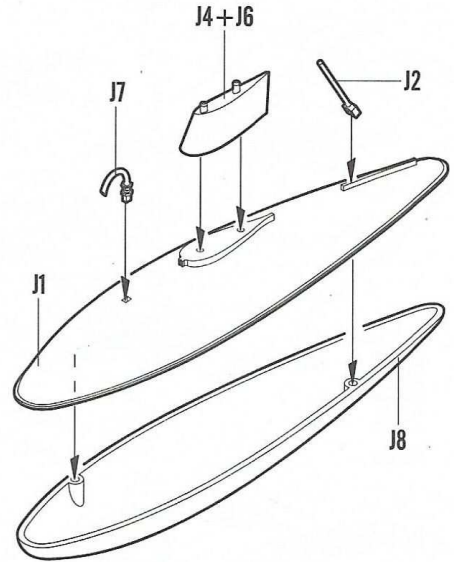
E6

《左侧主起落架》
Left main undercarriage

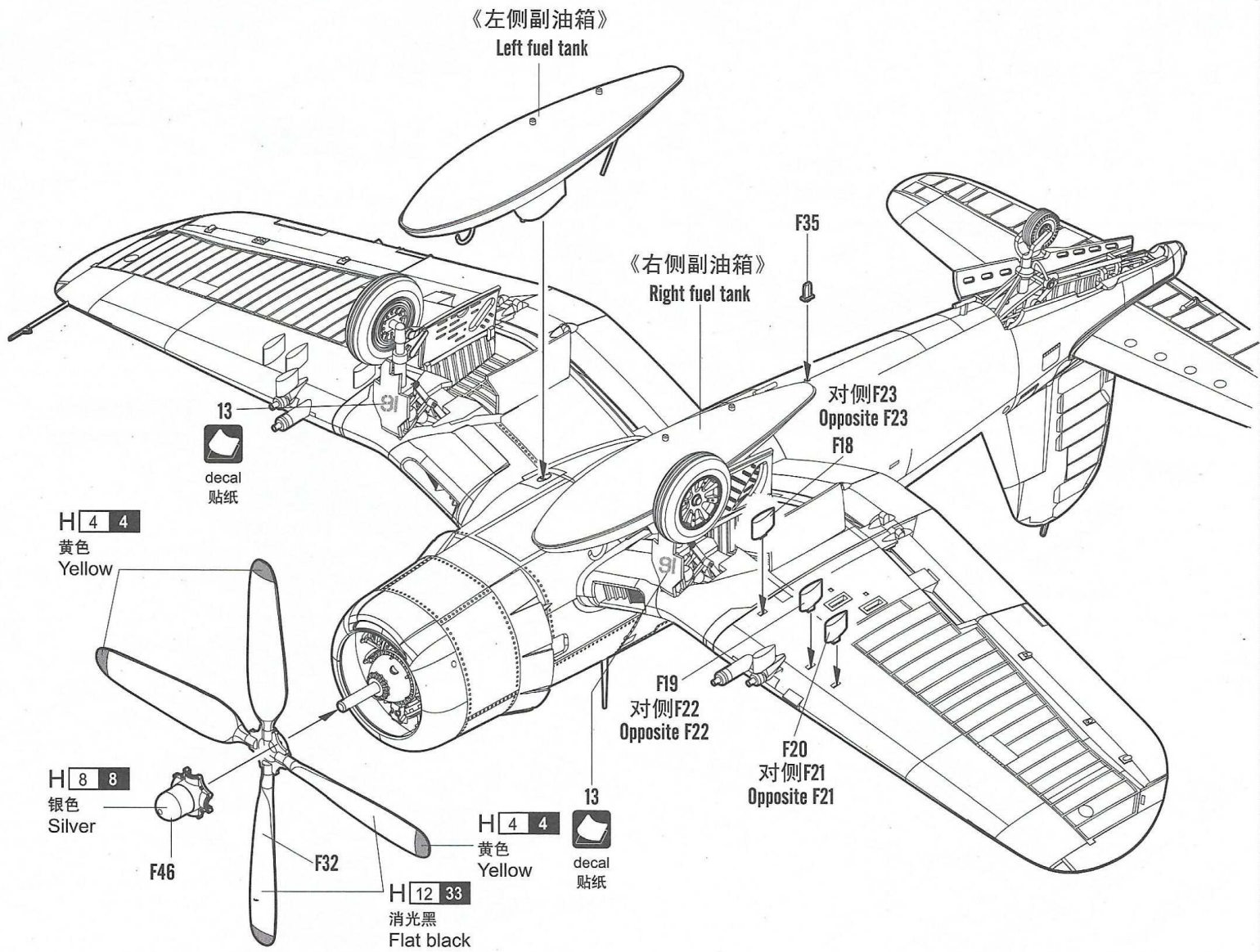
E29



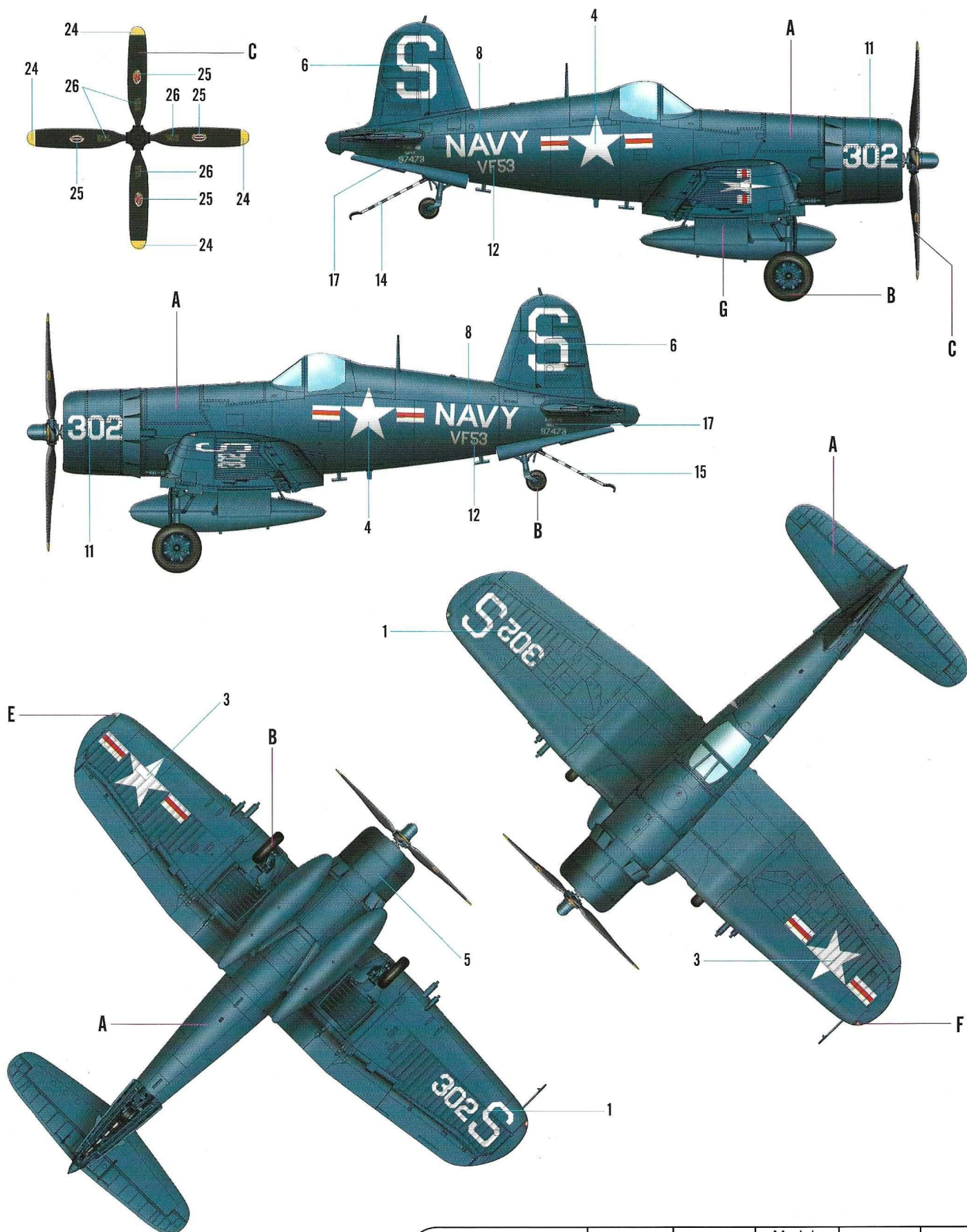
《左侧副油箱》
Left fuel tank



《右侧副油箱》
Right fuel tank

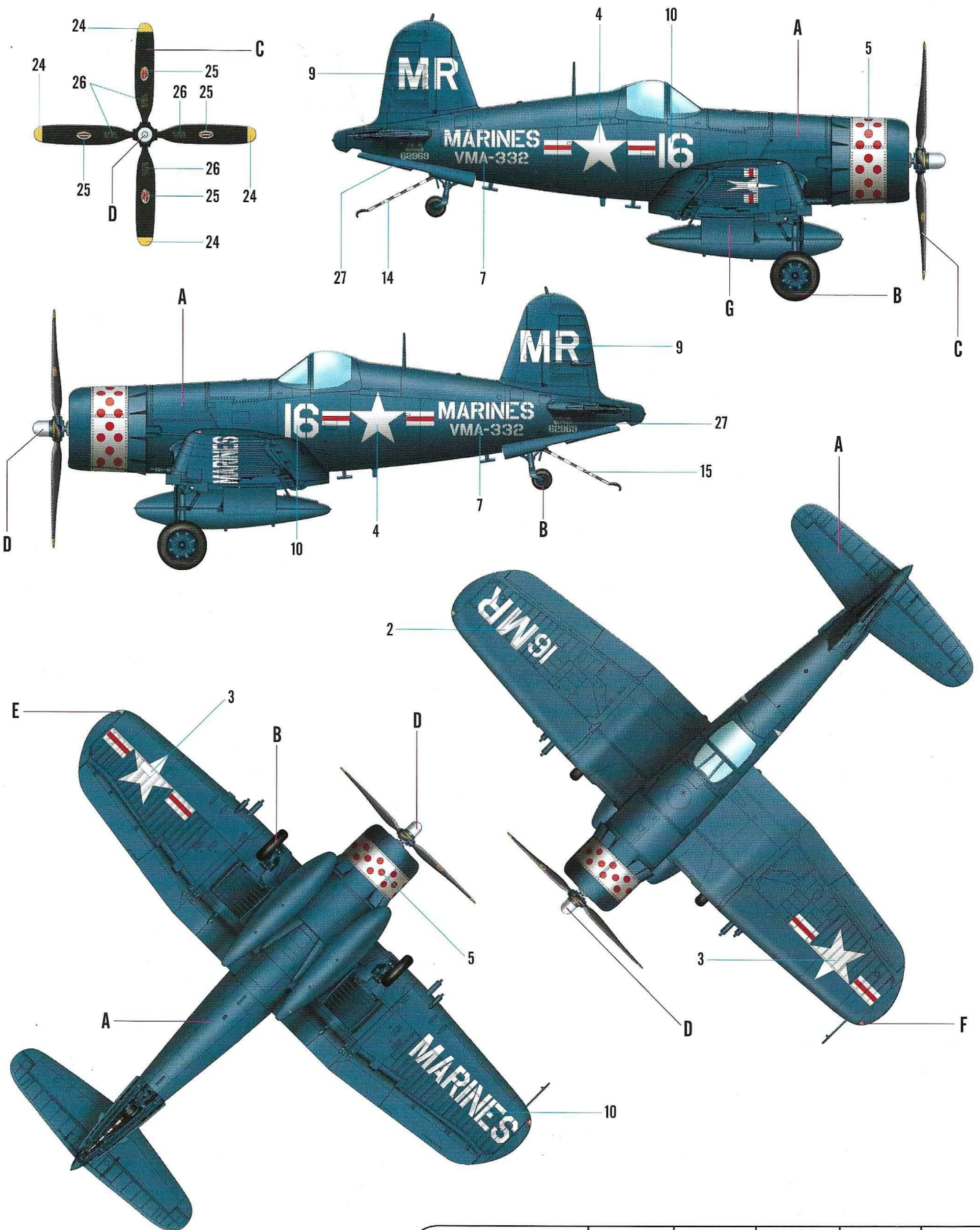


II F4U-4B No.97473 VF-53 USS Essex off Korean coast, February 1952.



	Color	Mr.Hobby	Vallejo	Model Master	Tamiya	Humbrol
D	银色 Silver	H 8 8	997	1546	X11	11
E	透明蓝 Clear Blue	H 93 50	938	--	X23	--
F	透明红 Clear Red	H 90 47	934	--	X27	--

I F4U-4B No.62969 VMA-332 USS Bairoko, 1953.



	Color	Mr.Hobby	Vallejo	Model Master	Tamiya	Humbrol
A	海军蓝 Navy Blue	H 365	--	--	--	--
B	胎黑色 Tire Black	H 77 137	--	--	--	--
C	消光黑 Flat Black	H 12 33	950	1749	XF1	33