

KIROV AIRSHIP

Border

*READY TO ASSEMBLE PRECISION MODEL KIT *MODELING SKILLS HELPFUL IF UNDER 14 YEARS OF AGE *MODEL MAY VARY FROM IMAGE ON BOX *CEMENT AND PAINT NOT INCLUDED
Дирижабль Киров 基洛夫飞艇 キーロフ飛行船



PAINTS FREE

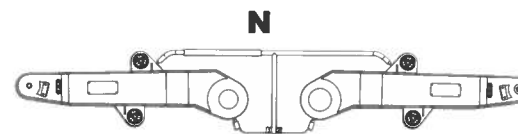
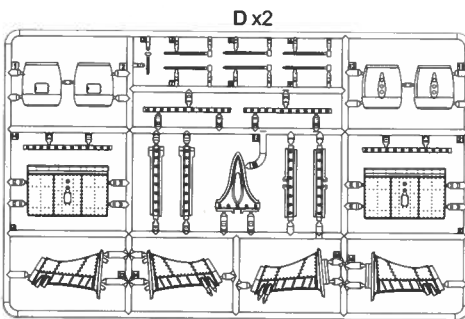
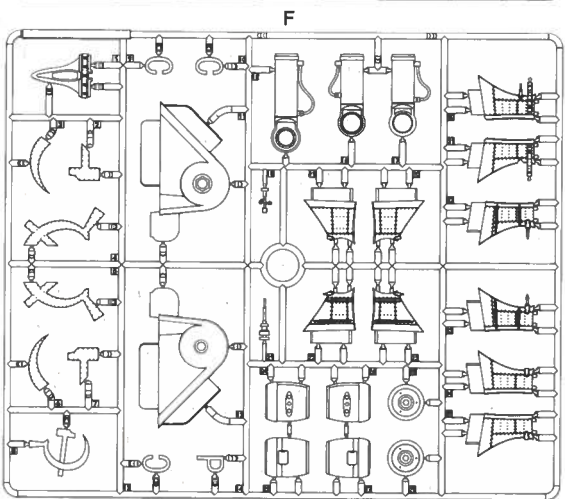
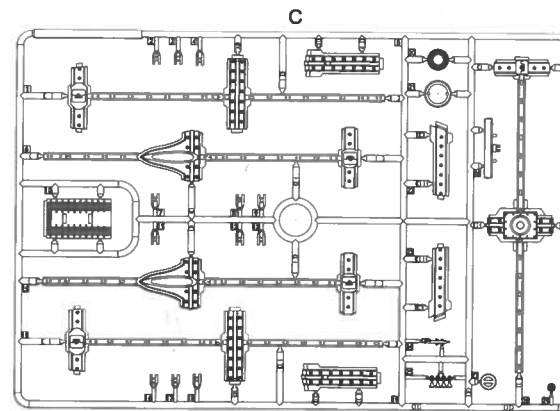
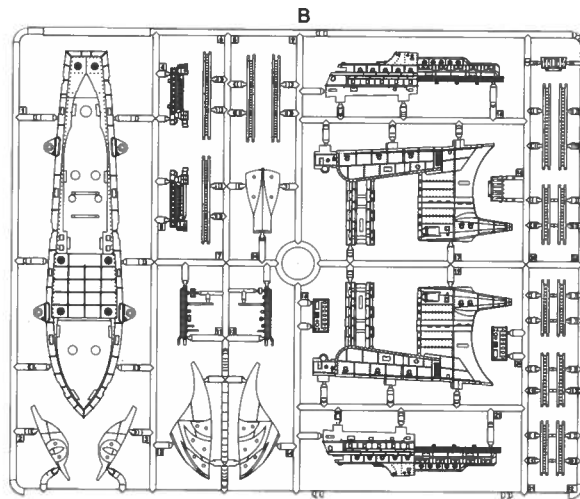
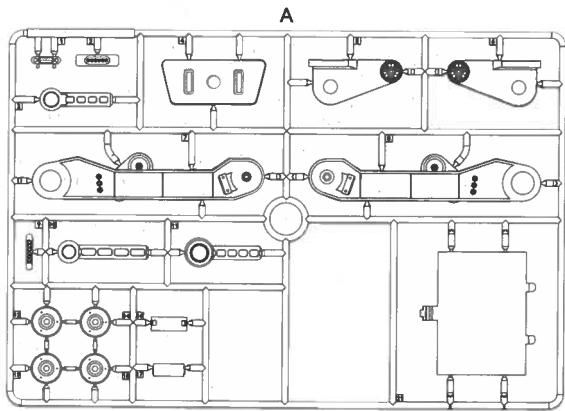


CEMENT FREE

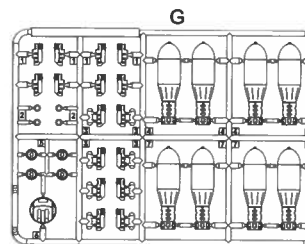
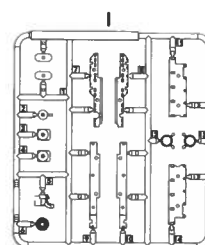
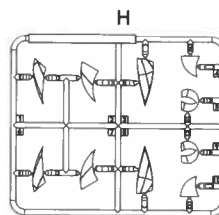
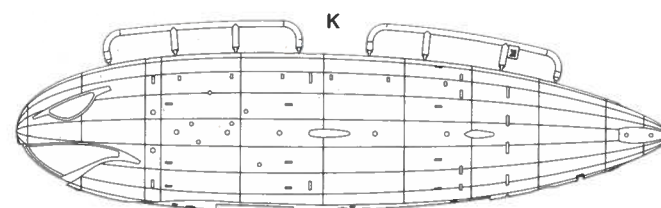
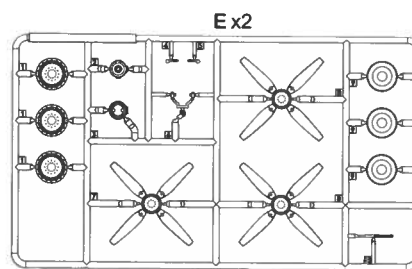
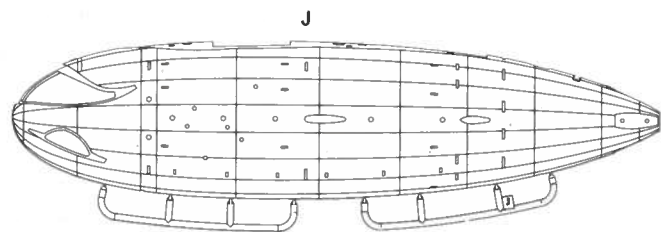
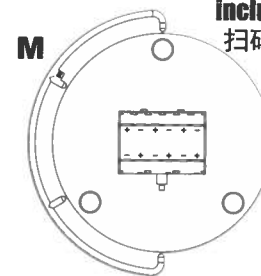
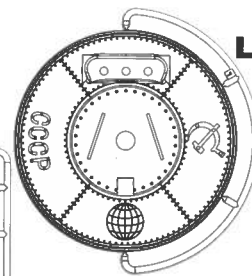


1/N
SCALE
BC-004

- ◆ PAINTS FREE & CEMENT FREE DESIGN.
- ◆ INCLUDES LIGHTING SYSTEM.
- ◆ INCLUDES BASE FOR CONTROL SWITCH.
- ◆ INCLUDES FULL SET OF ELECTRIC PROPELLER COMPONENTS.



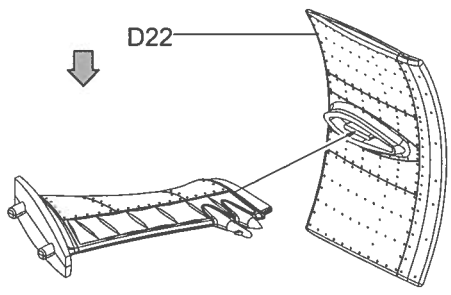
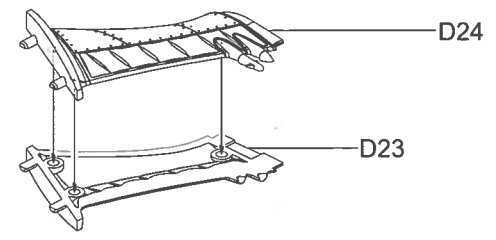
Scan the code to watch the assembly process including the assembly of the circuit part
扫码观看组装过程，包含电路部分的组装



- 电机*5
- 开关*3
- 灯光控制电路板*1
- 电池片*2
- M4内六角螺丝螺母*3
- Motor * 5
- Switch * 3
- Lighting control circuitboard * 1
- Battery contact sheet * 2
- M4 hex screw nut * 3

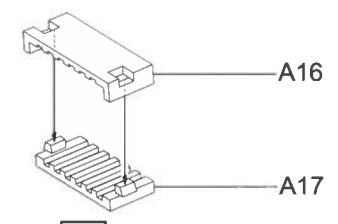
Some Kirov airships sold in European countries will not have these electronic components. The retail price will also decrease accordingly

1

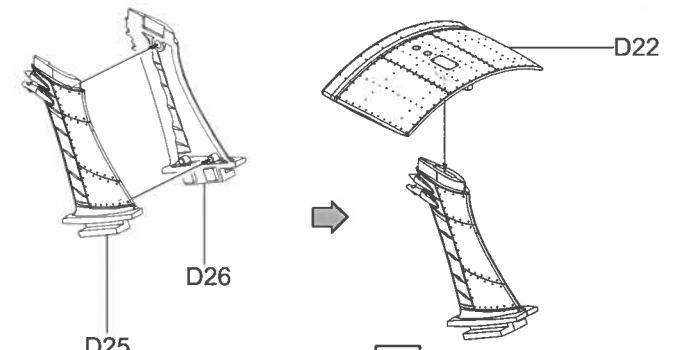


A1

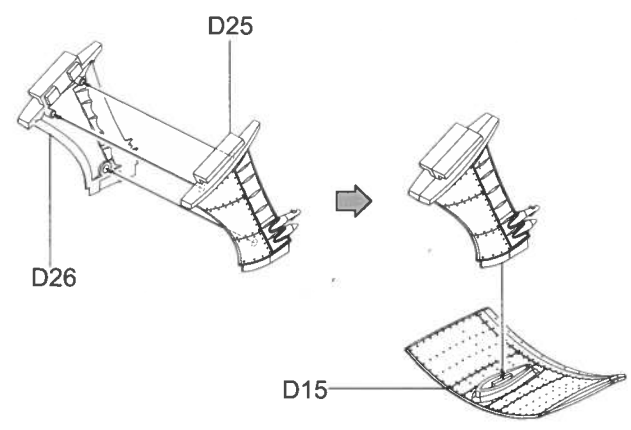
2



B1

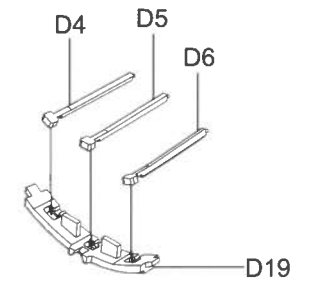


B2

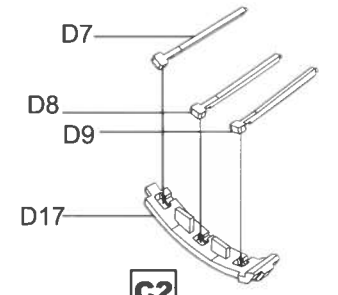


B3

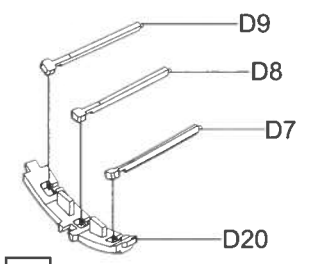
3



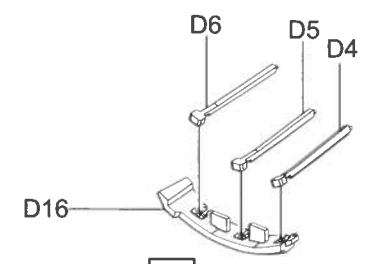
C1



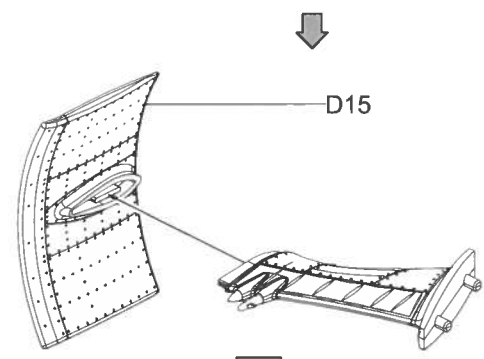
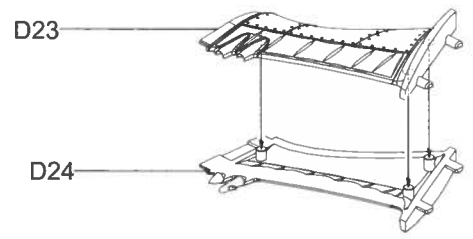
C2



C3



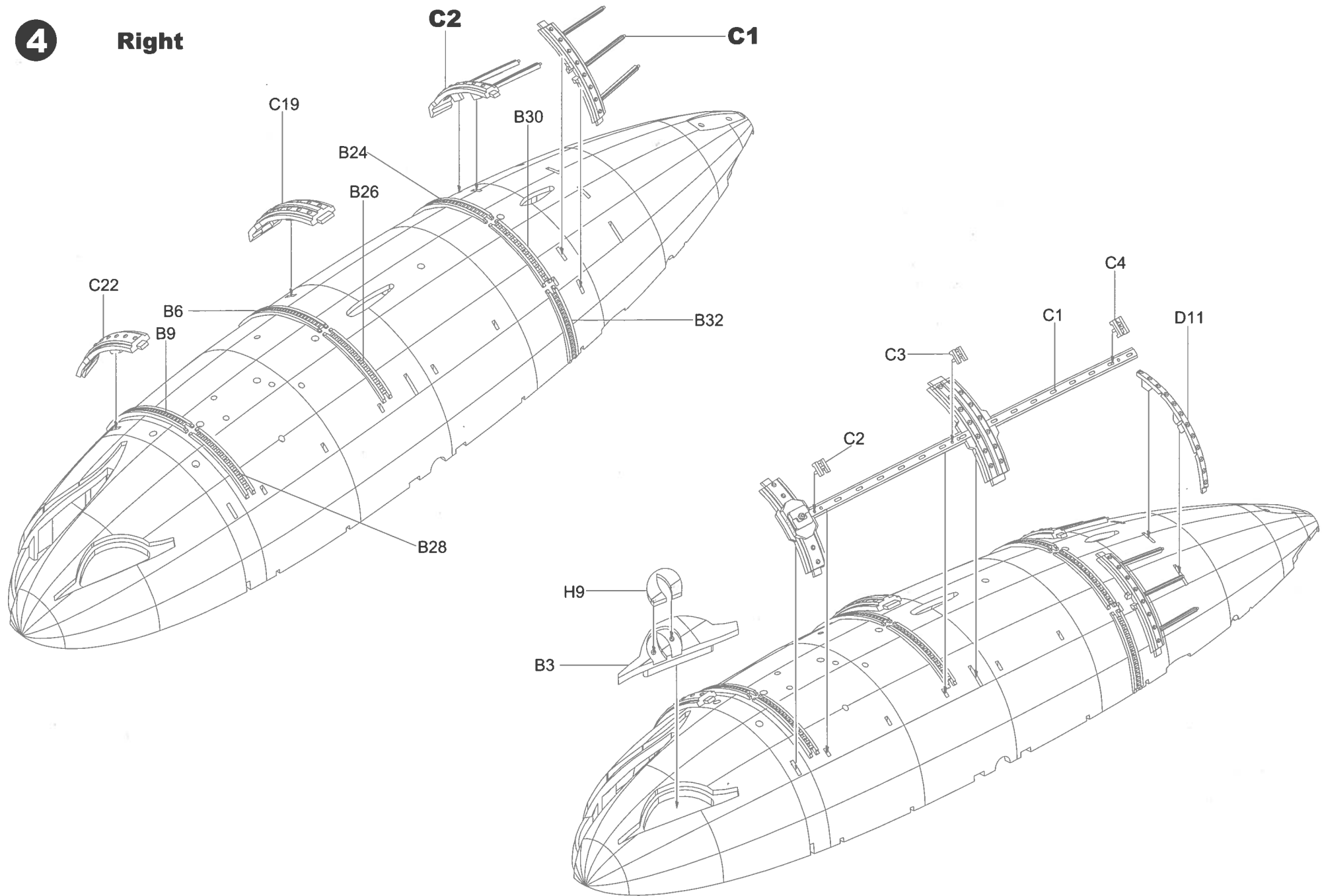
C4



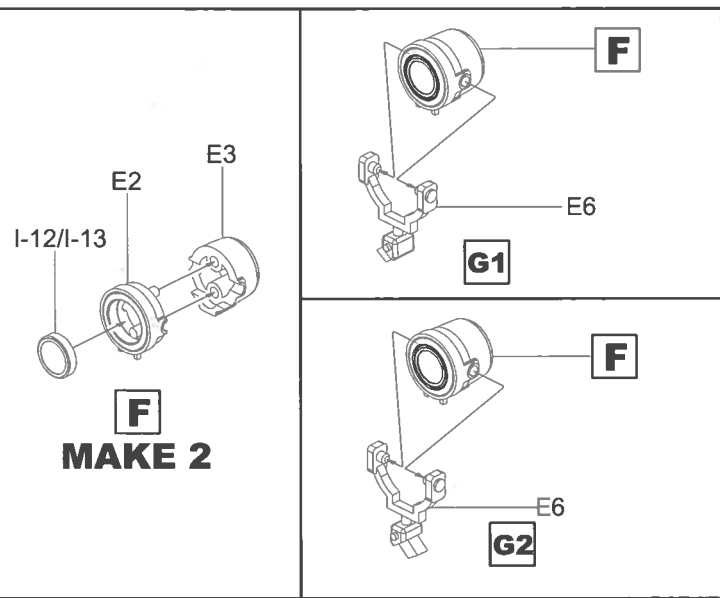
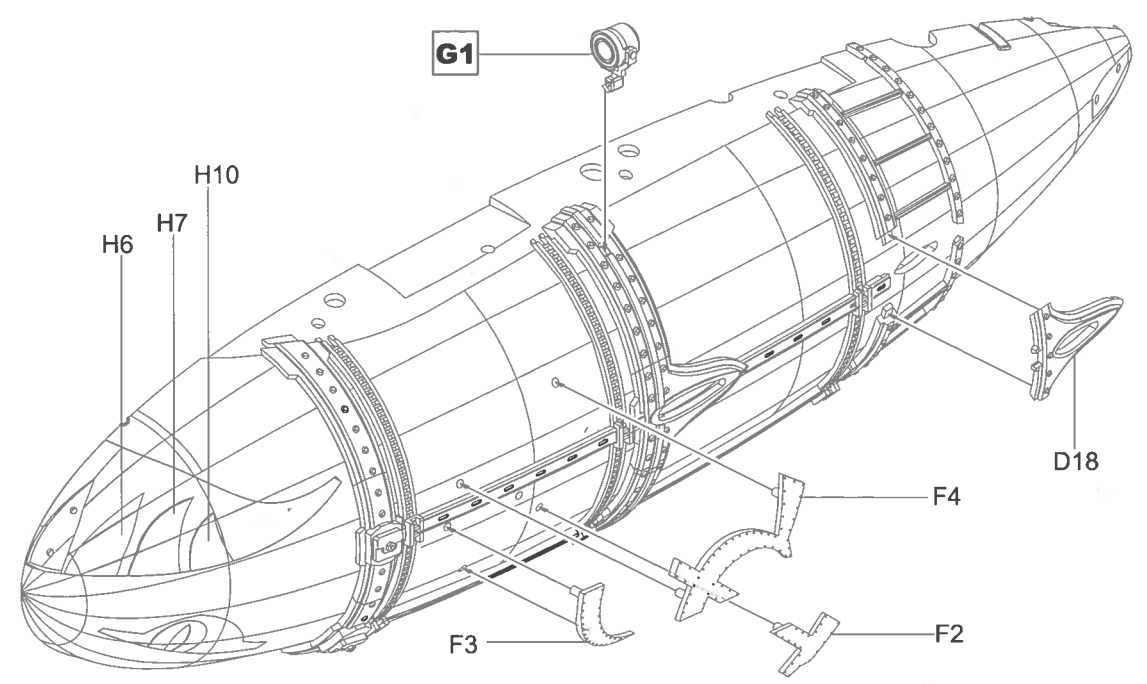
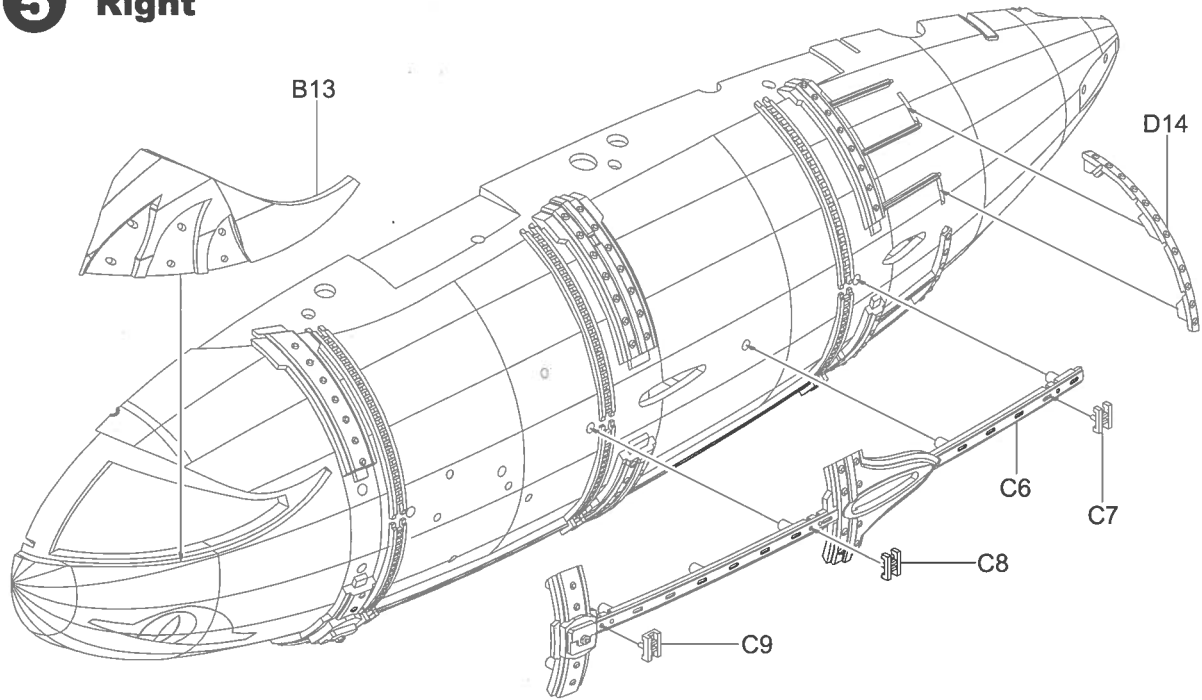
A2

4

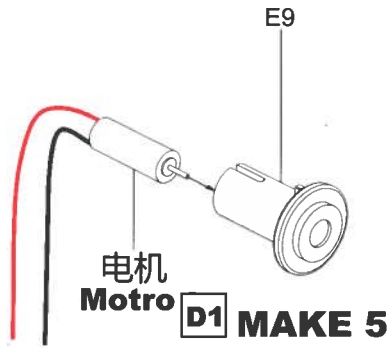
Right



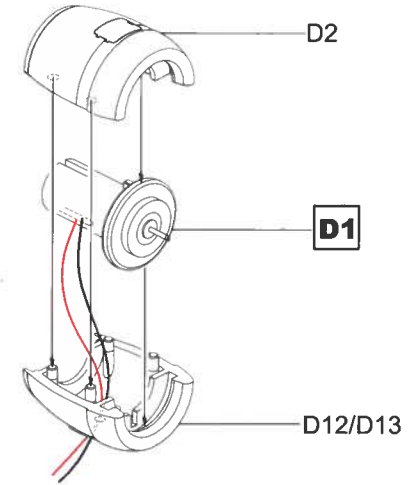
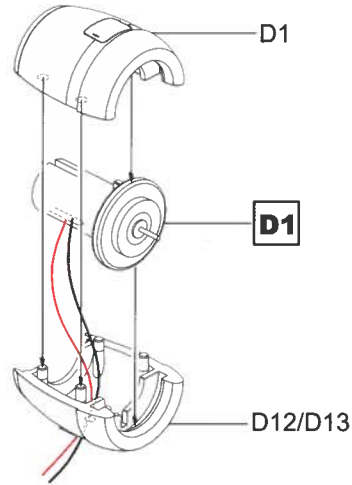
5 Right



6

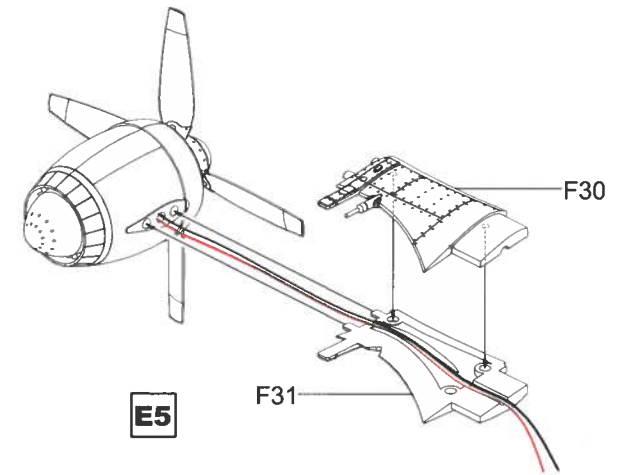
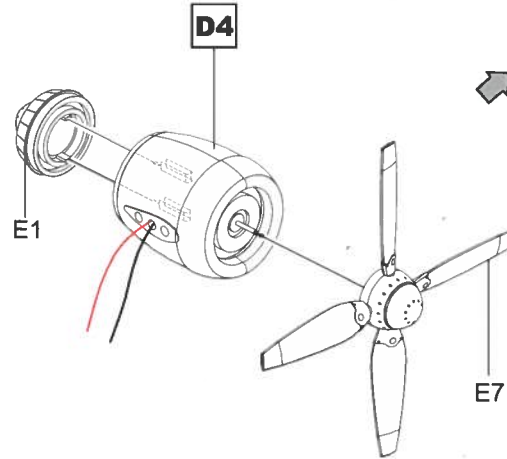
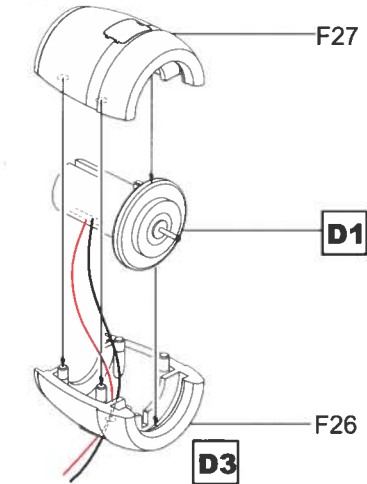
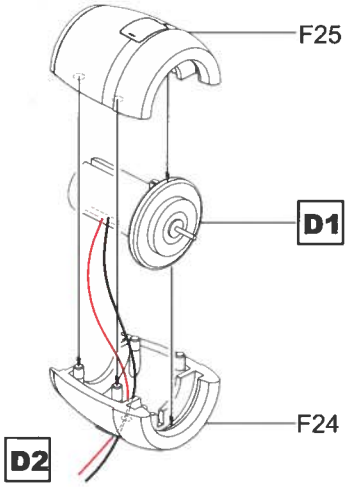


7

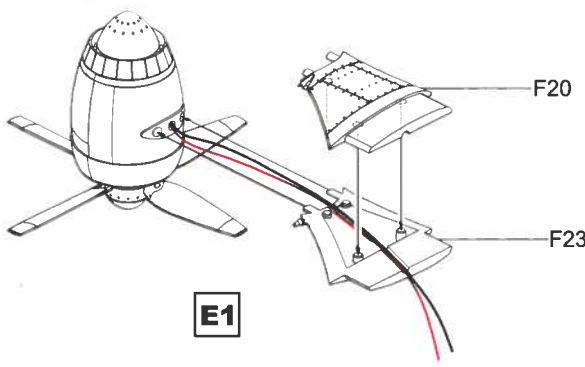
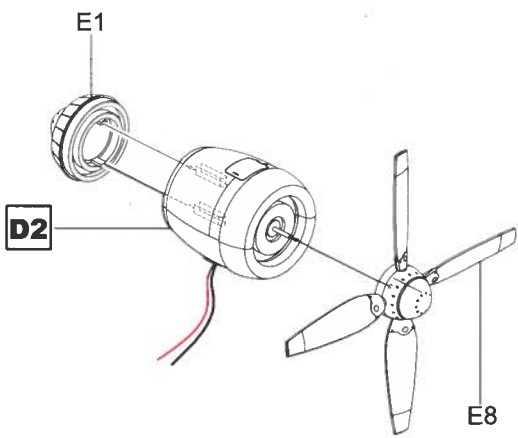


D4 MAKE 2

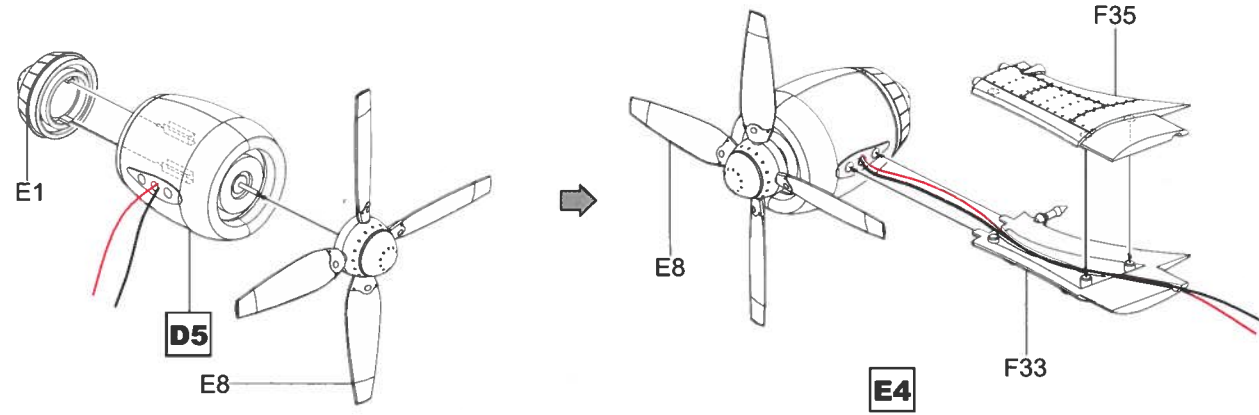
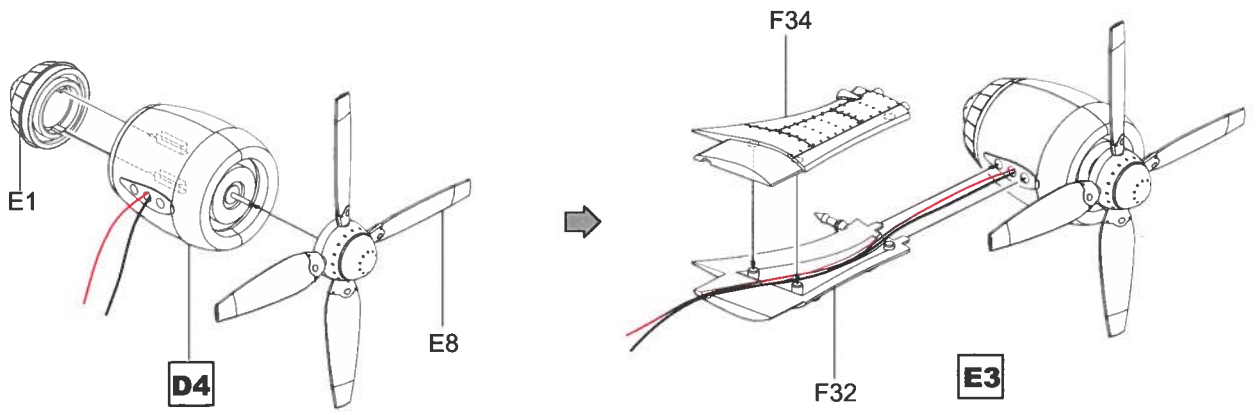
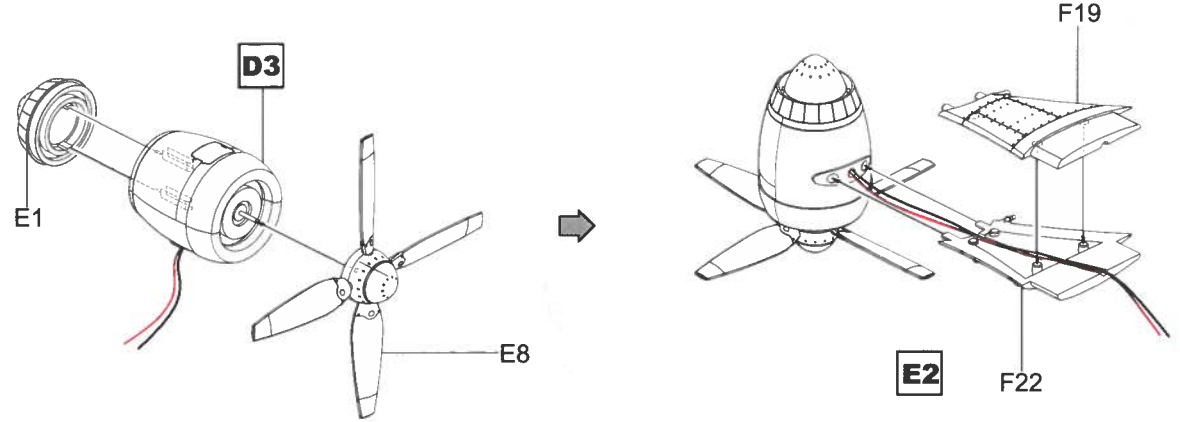
D5



8

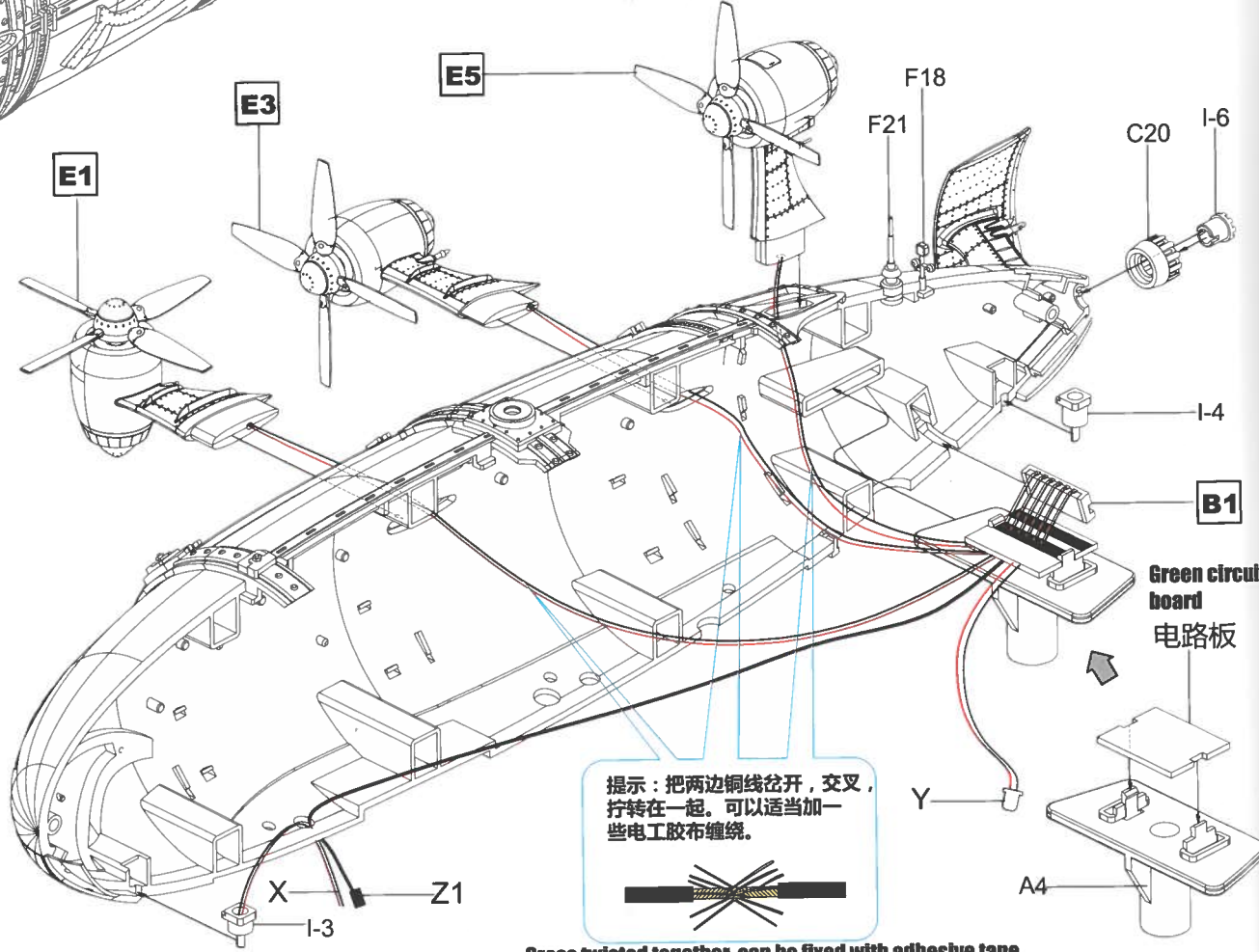
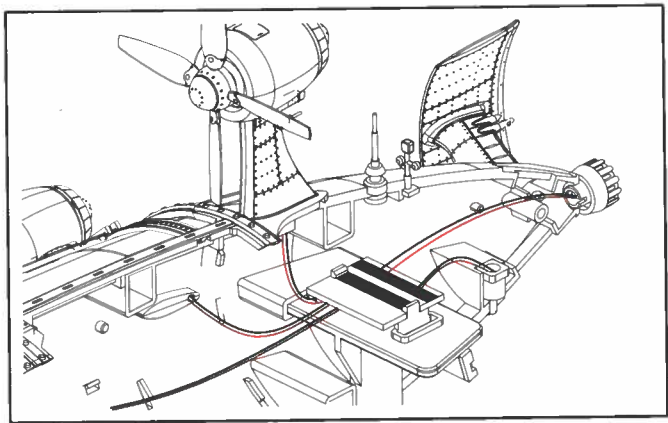
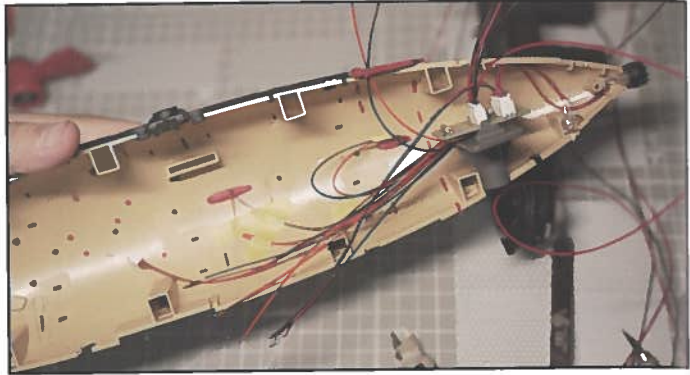
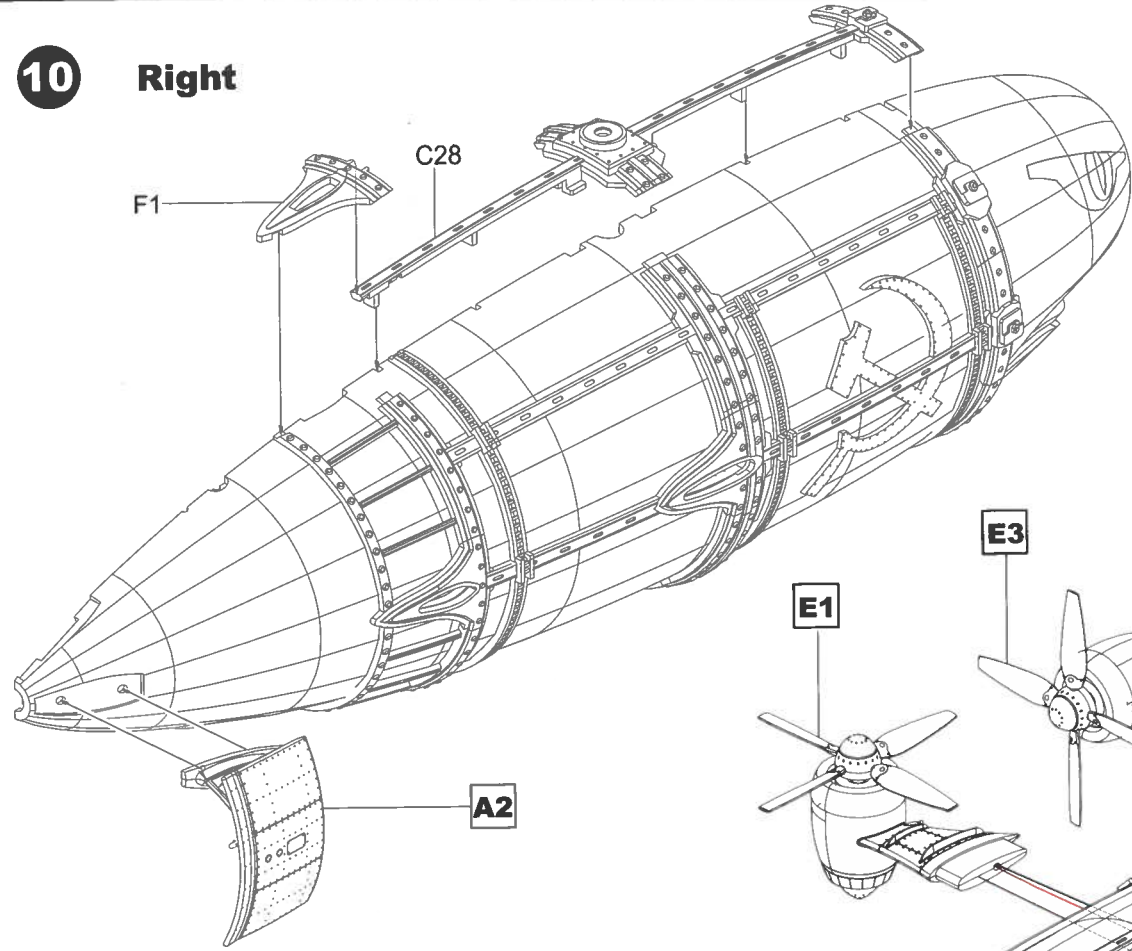


9



10

Right



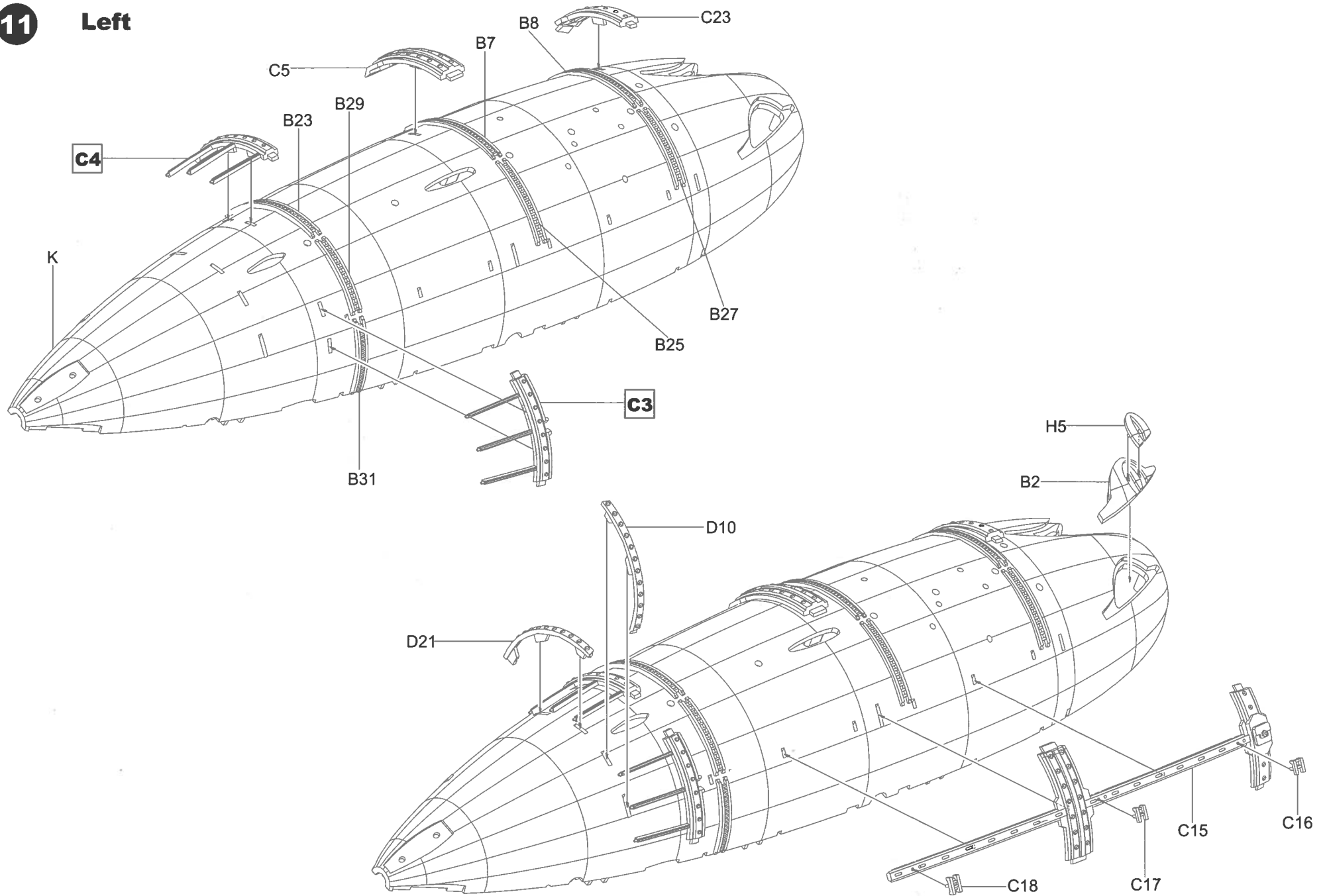
提示：把两边铜线岔开，交叉，拧转在一起。可以适当加一些电工胶布缠绕。



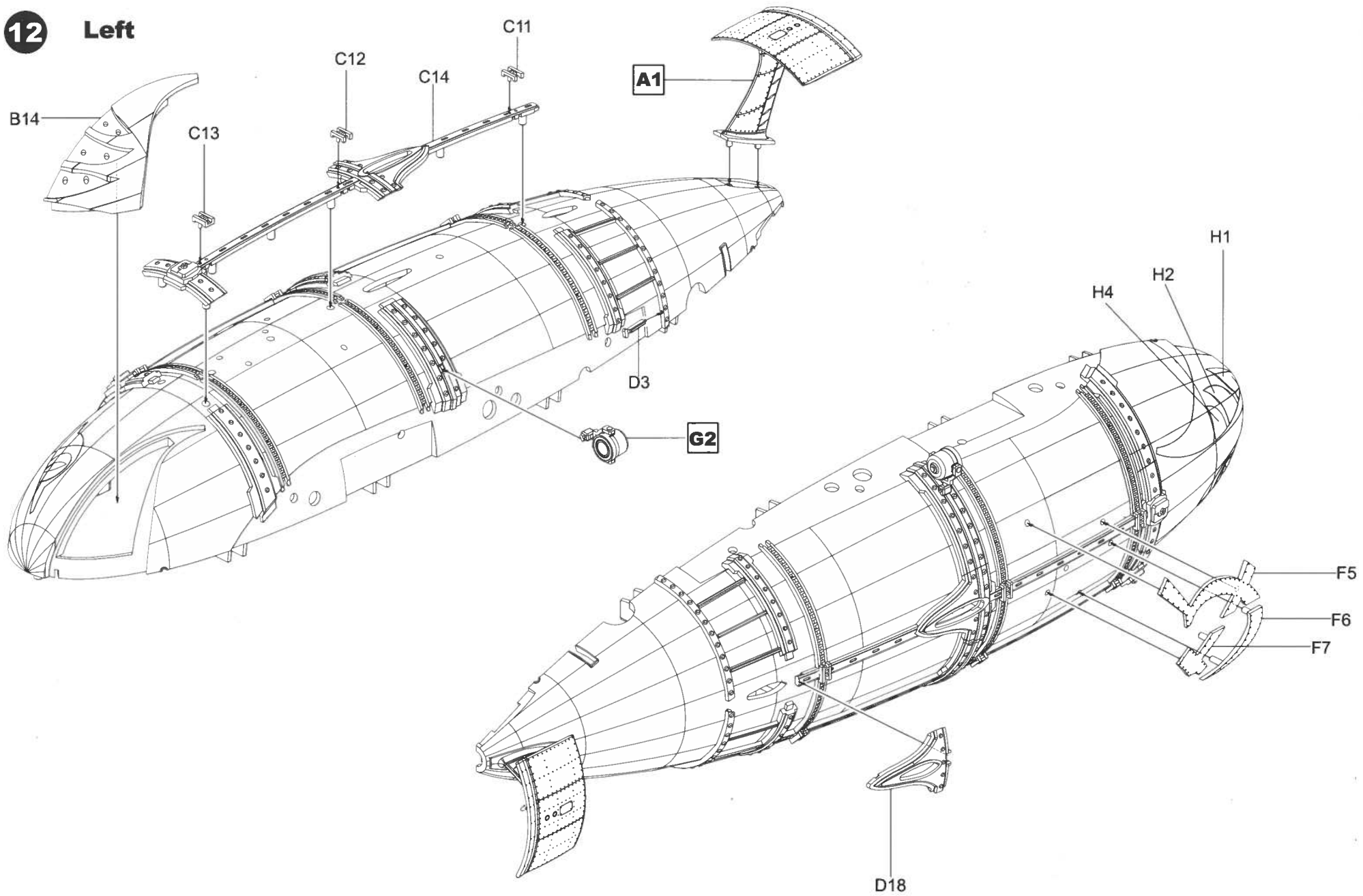
Cross twisted together, can be fixed with adhesive tape

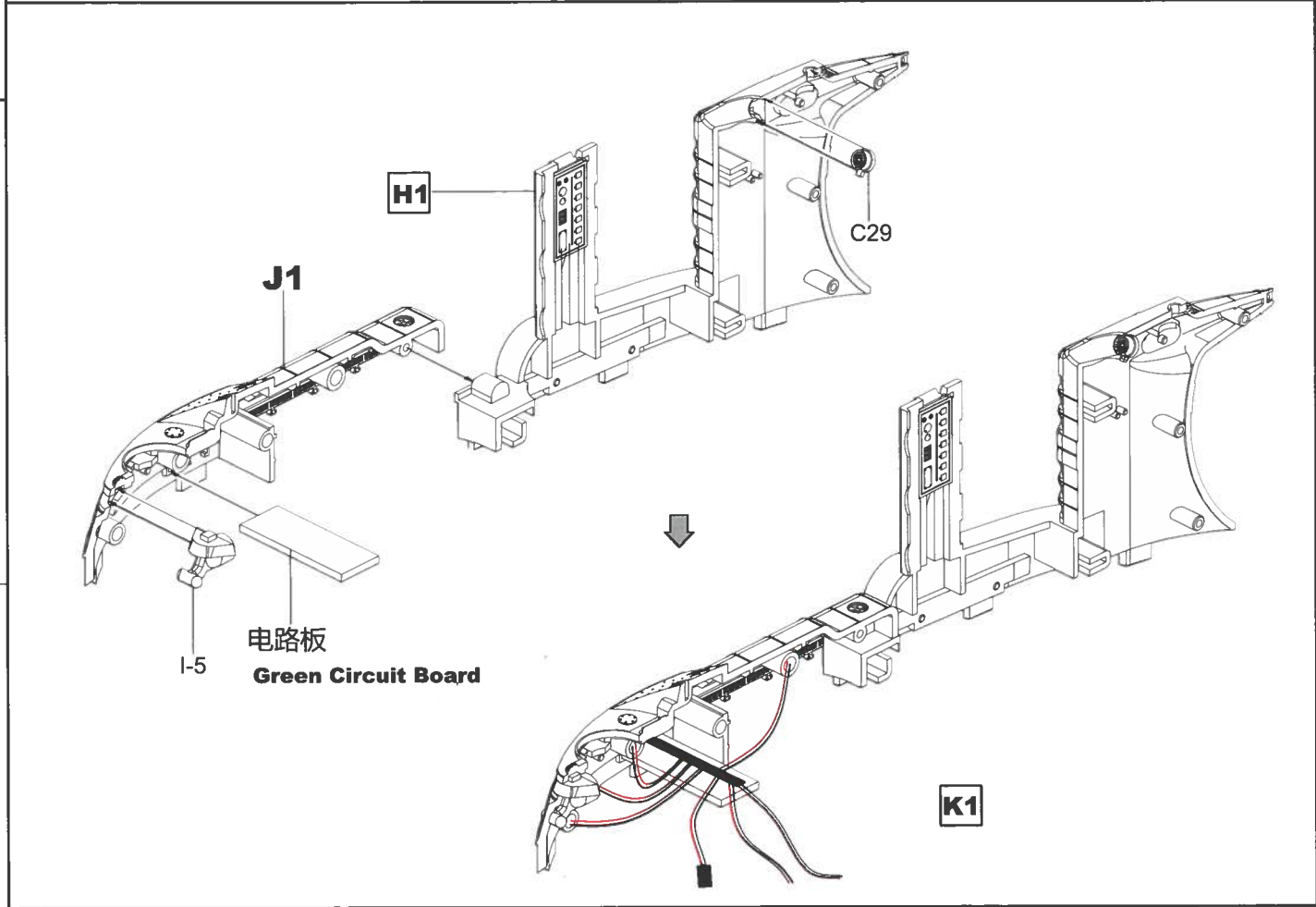
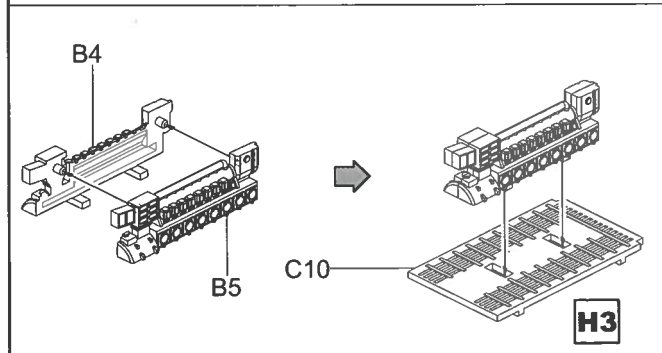
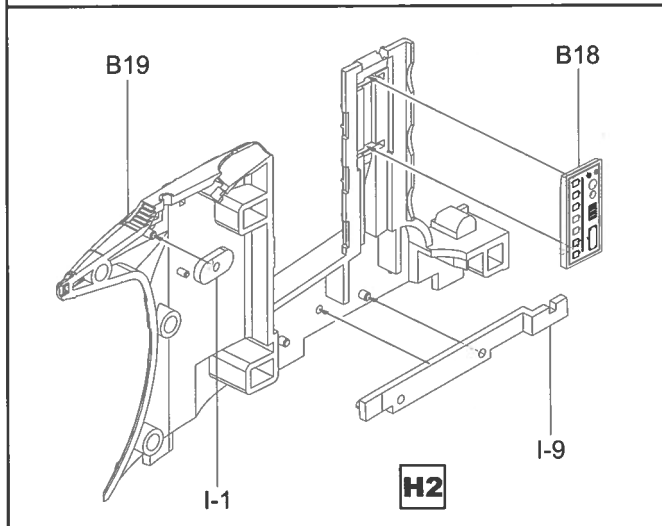
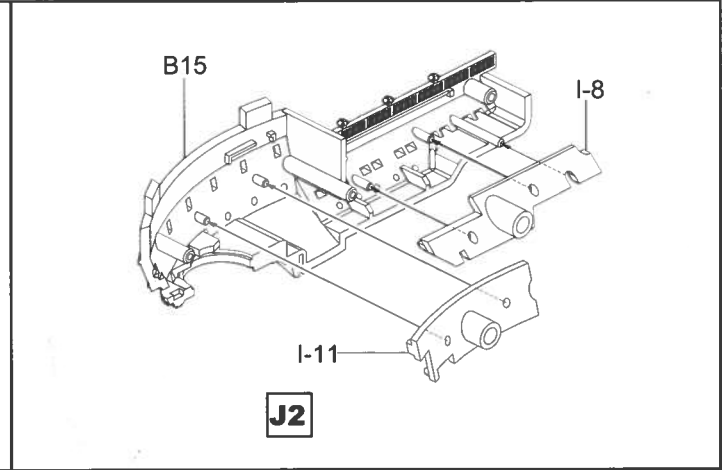
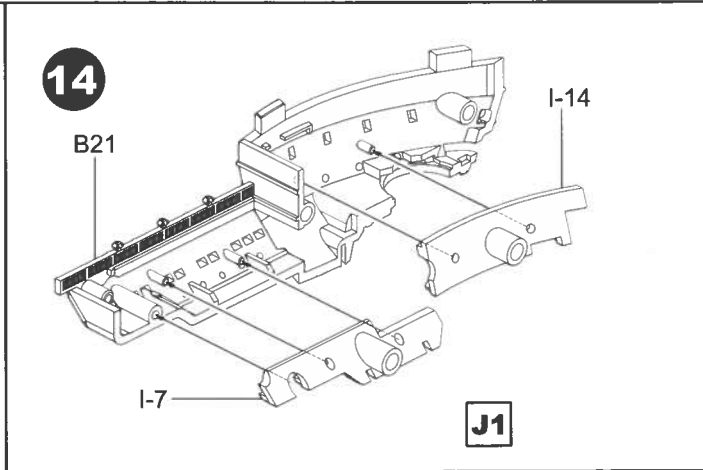
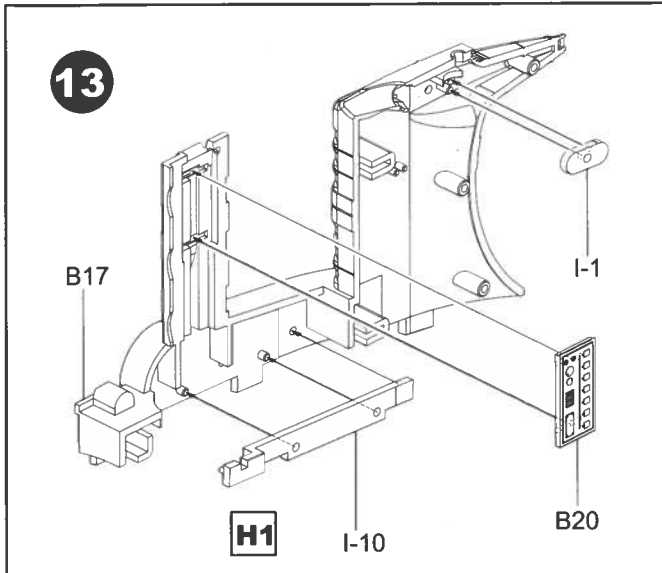
11

Left

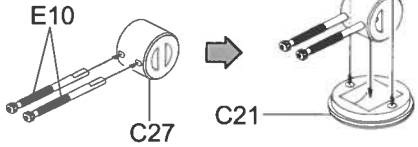


12 Left

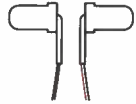




15

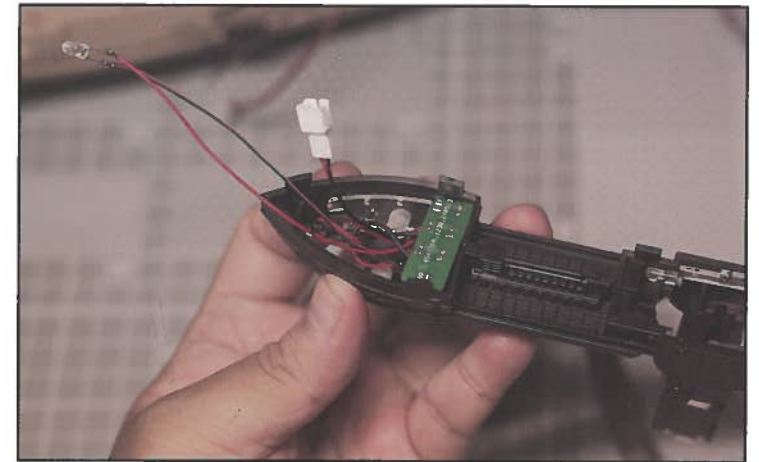


K2

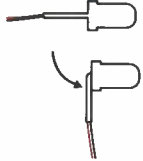


注意：灯脚请勿相碰，以免发生短路

Don't touch each other

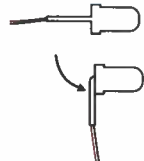
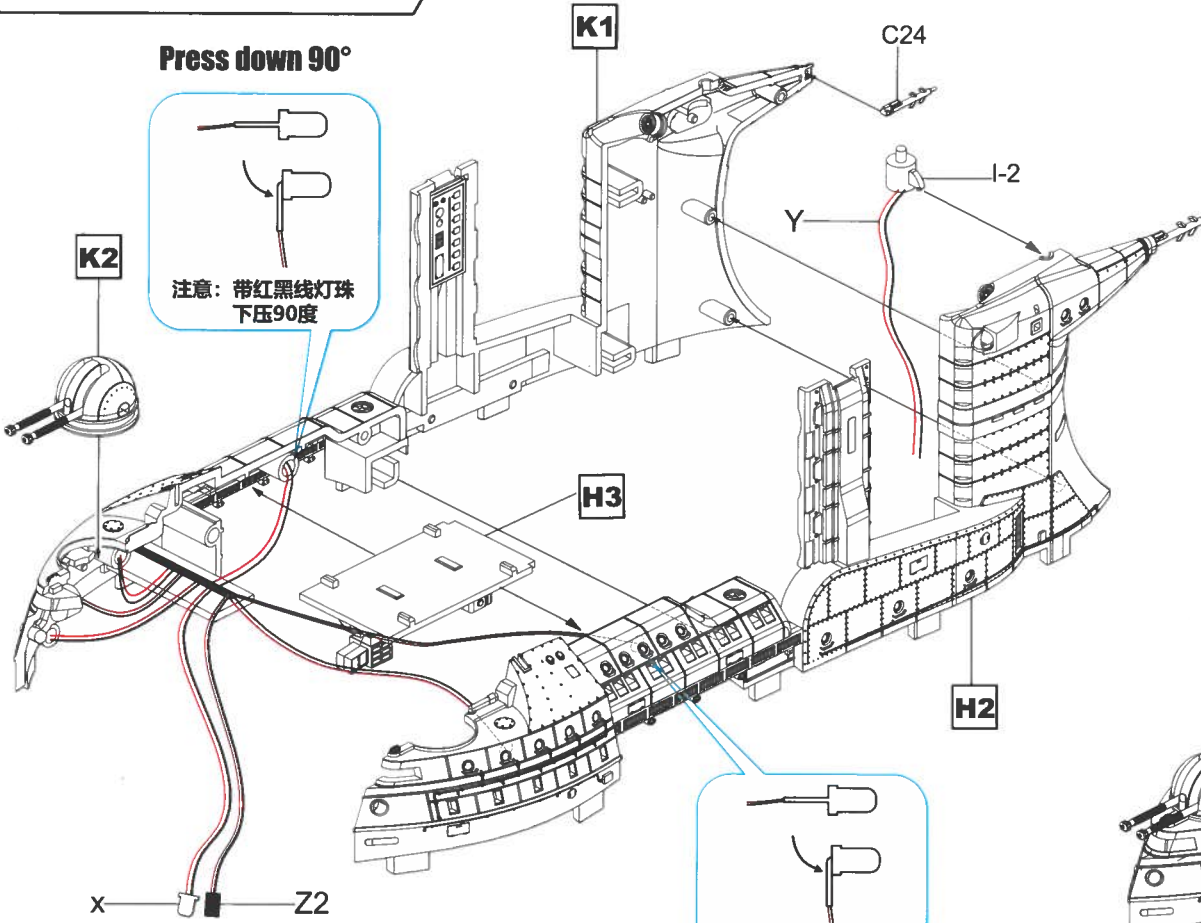


Press down 90°



注意：带红黑线灯珠下压90度

K2

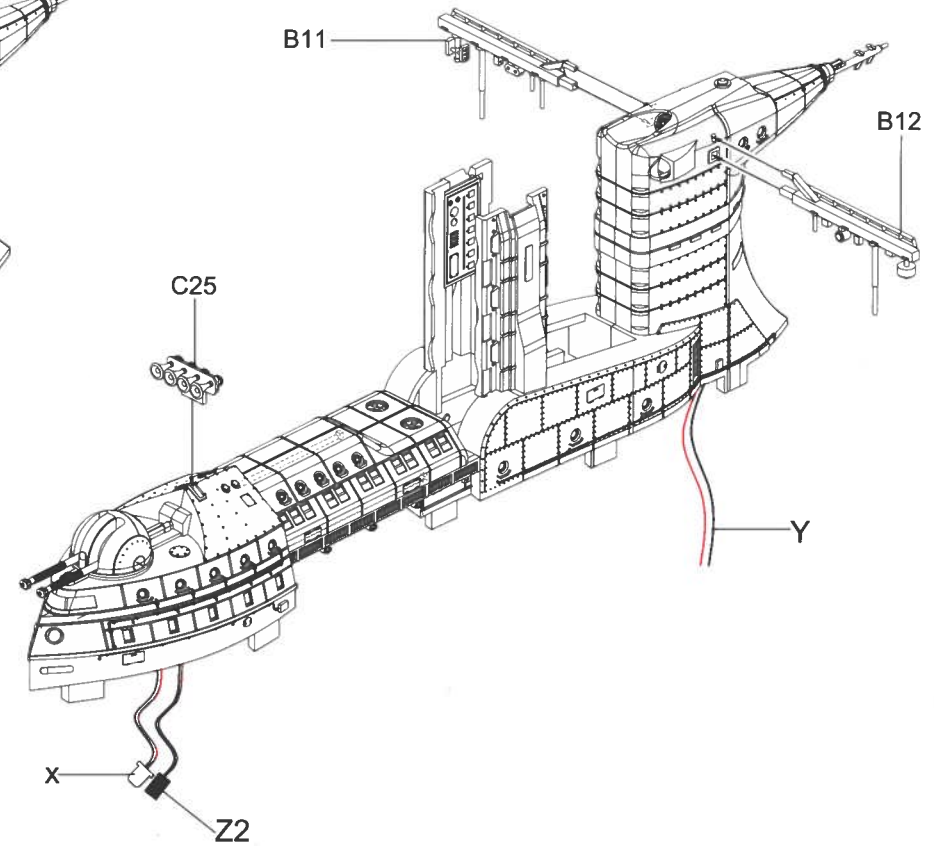


注意：带红黑线灯珠下压90度

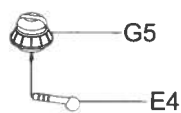
Press down 90°

B11

B12

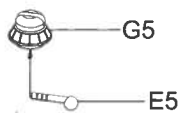


16



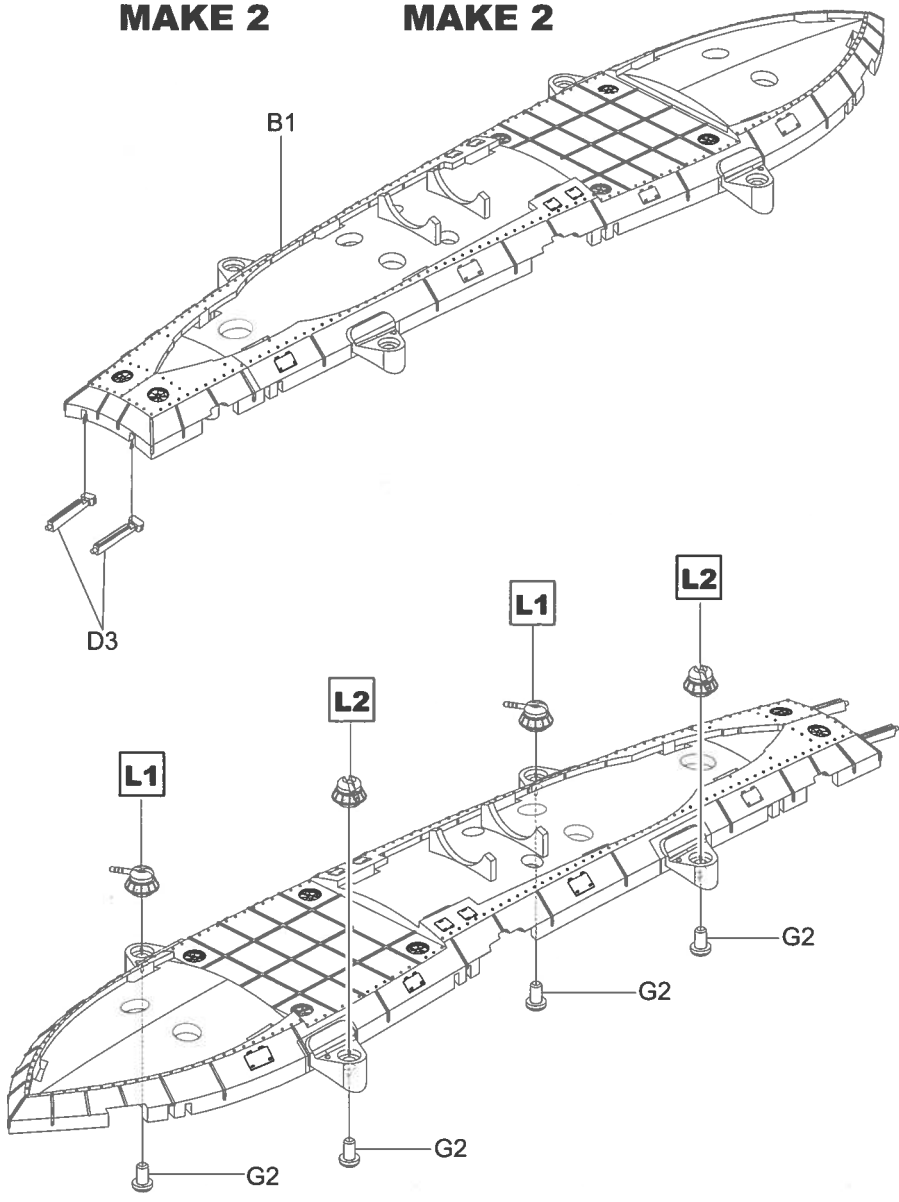
L1

MAKE 2

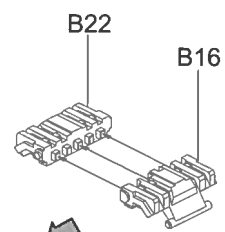


L2

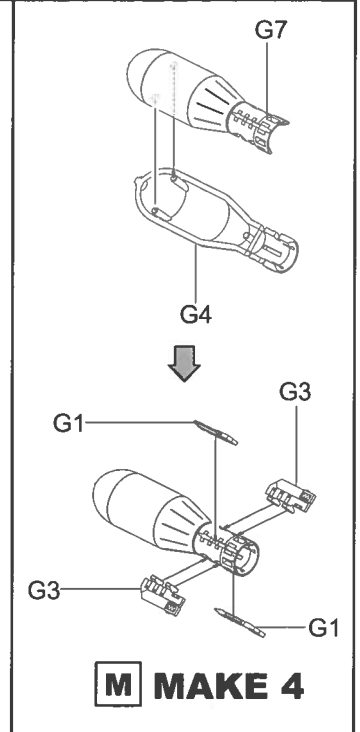
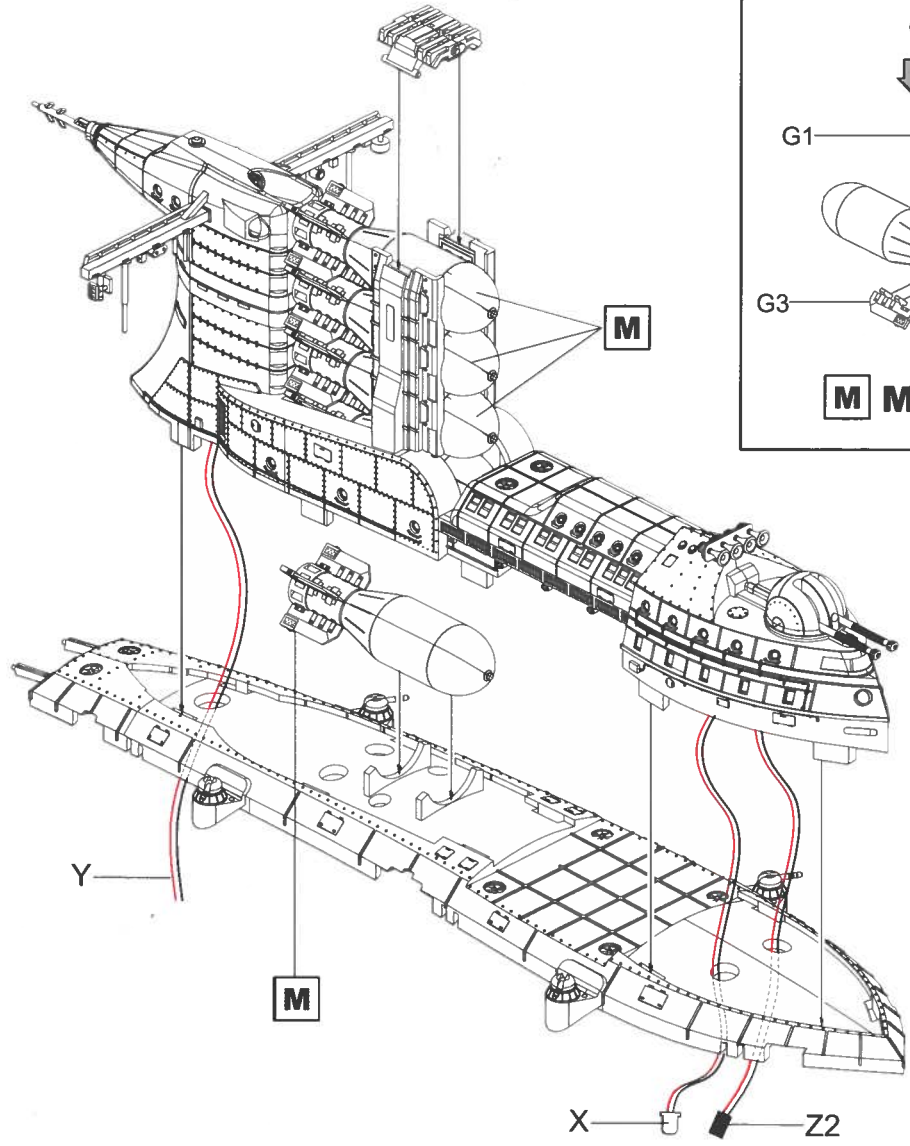
MAKE 2



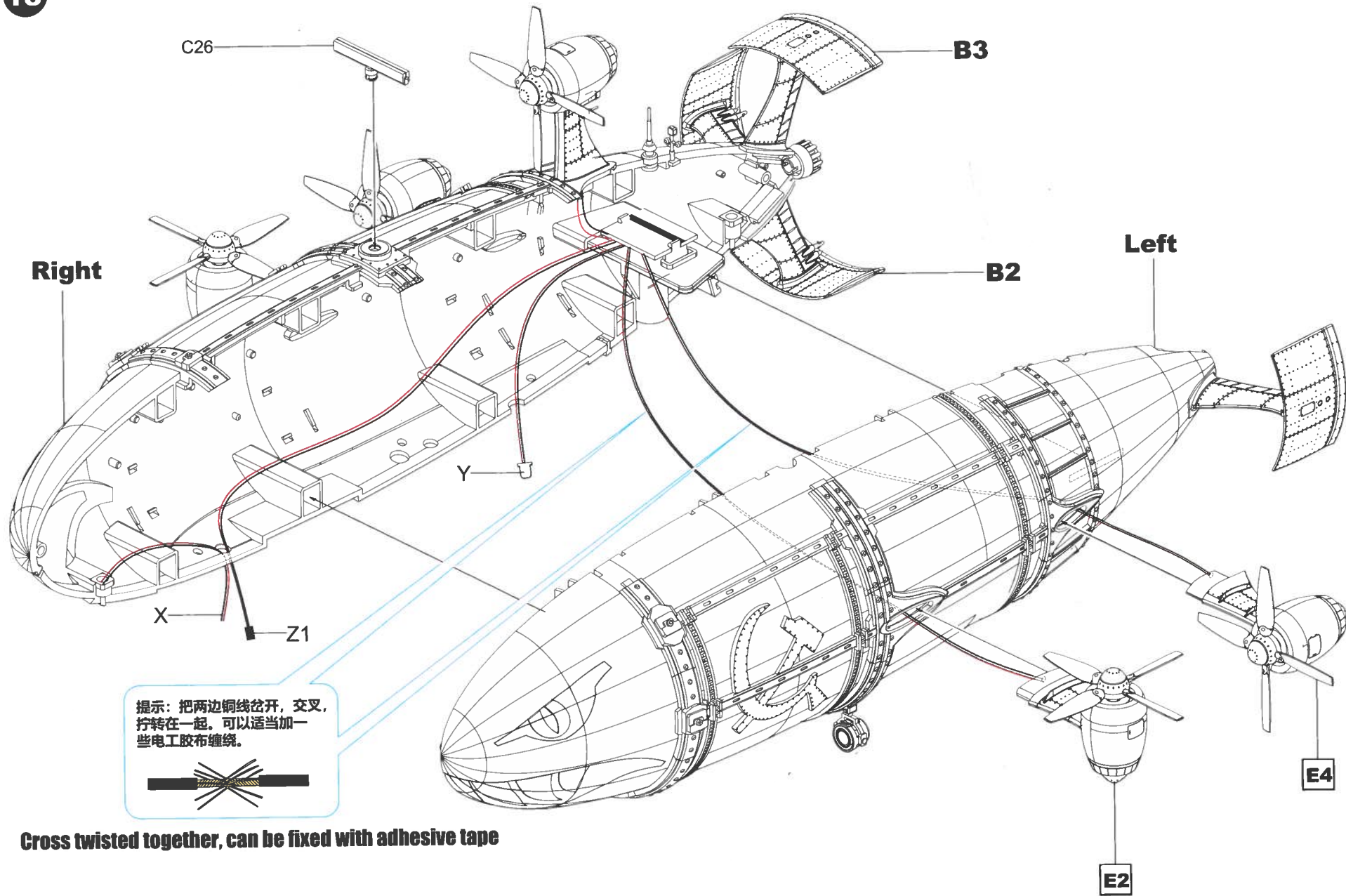
17



M



M MAKE 4

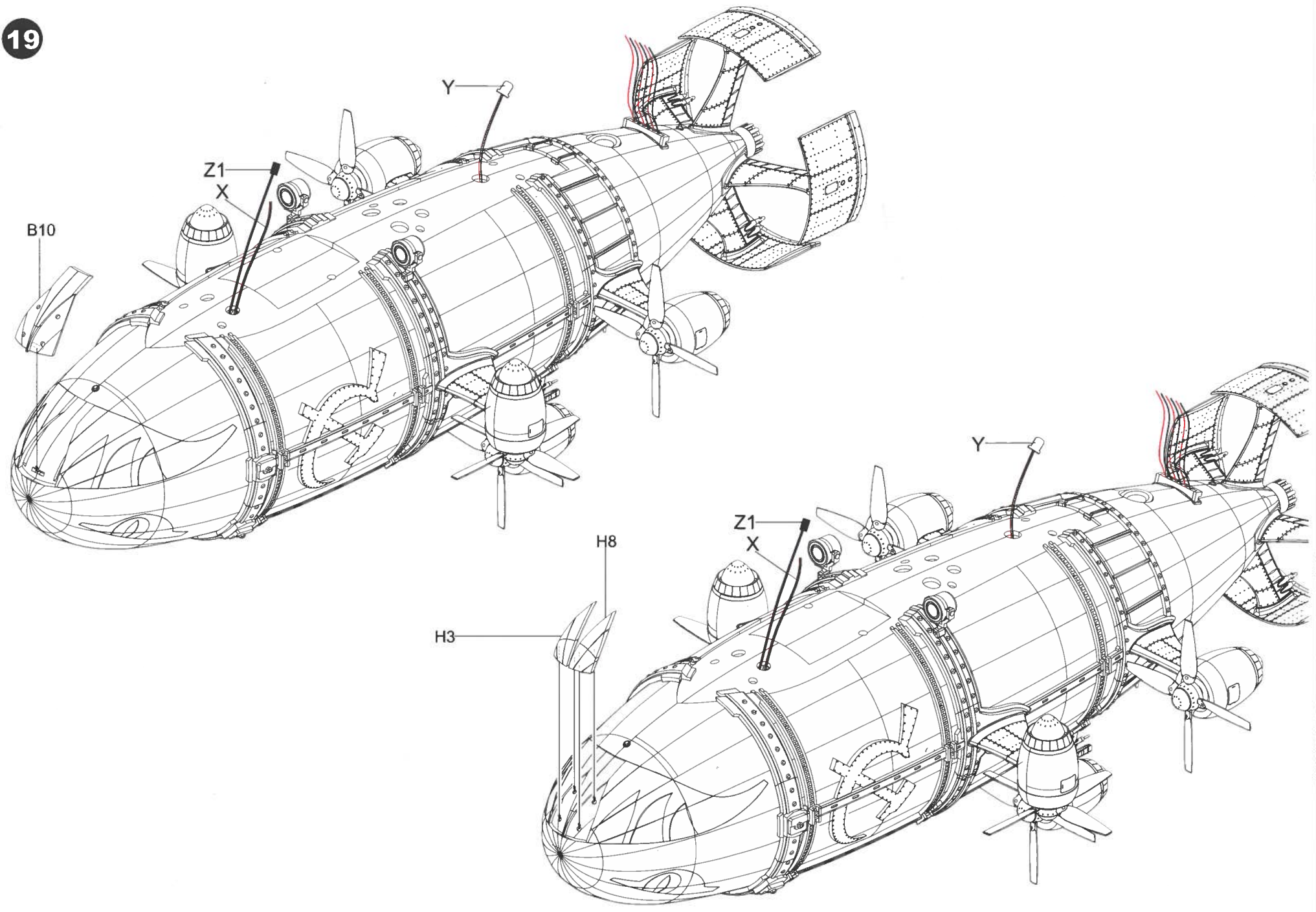


提示：把两边铜线岔开，交叉，拧转在一起。可以适当加一些电工胶布缠绕。

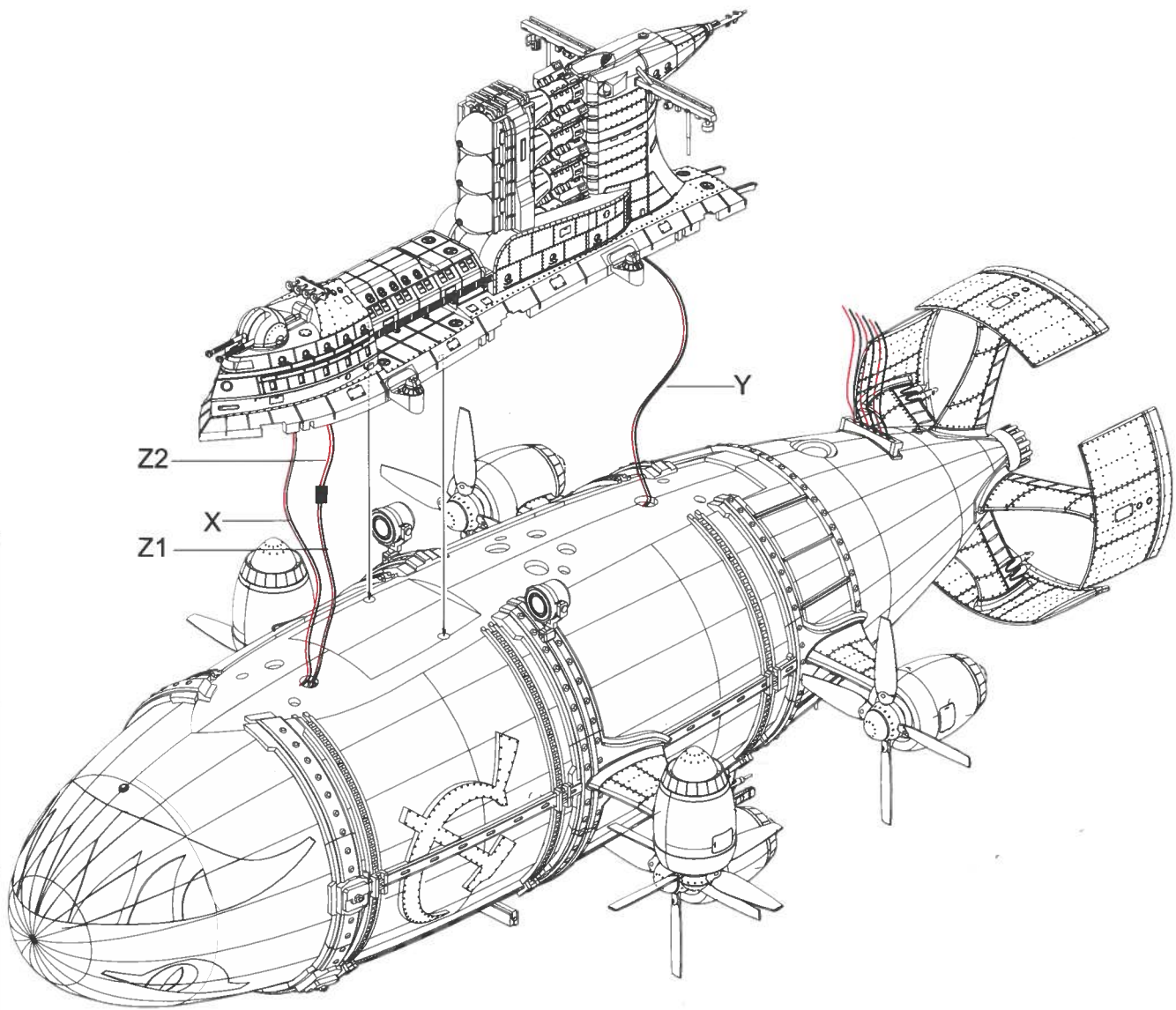


Cross twisted together, can be fixed with adhesive tape

19



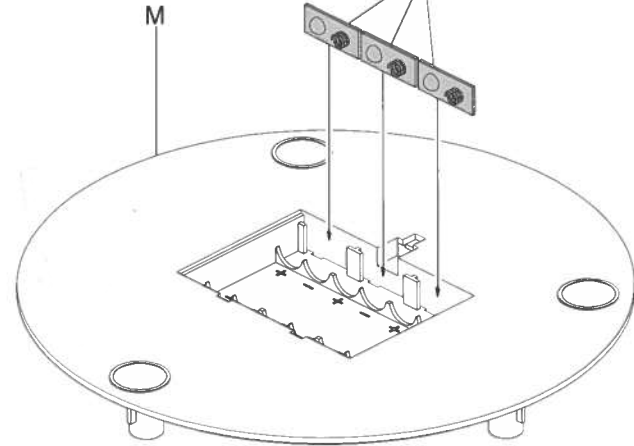
20



21

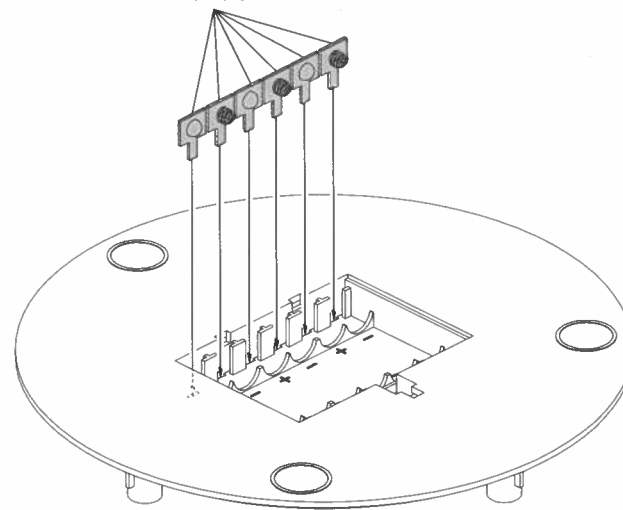
Battery mounting plate

电池片

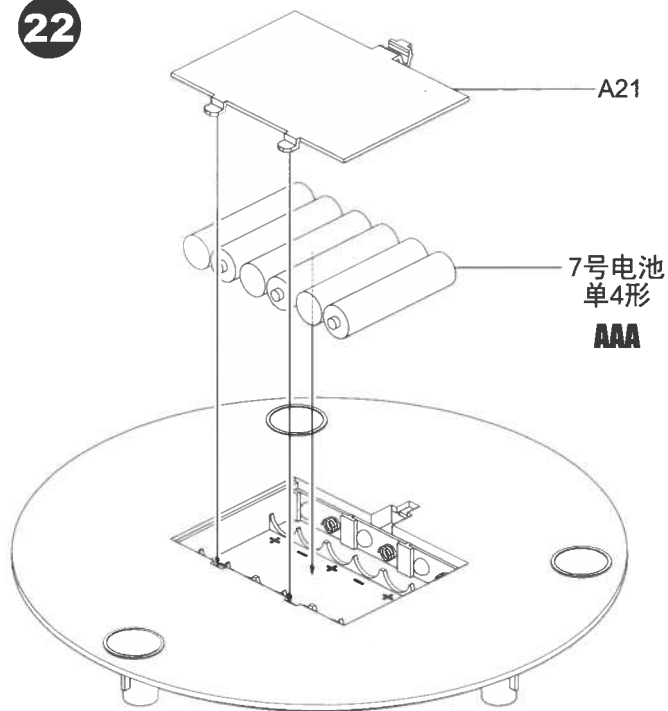


Battery mounting plate

电池片

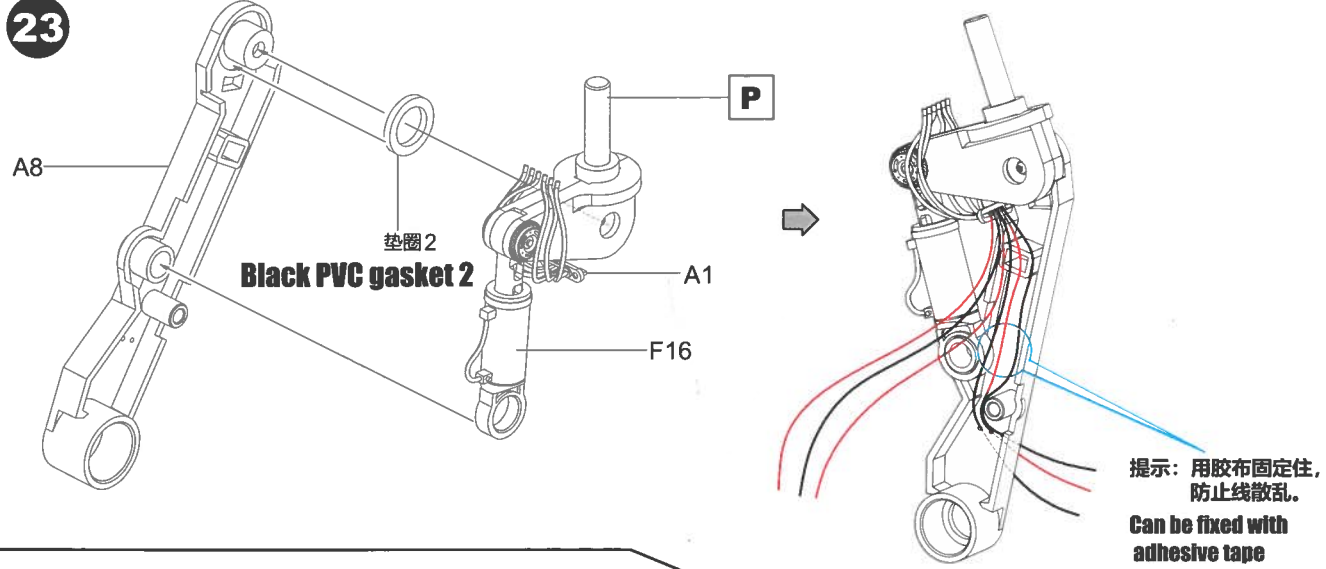


22

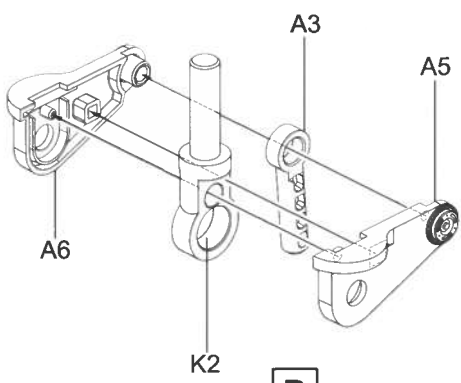


N

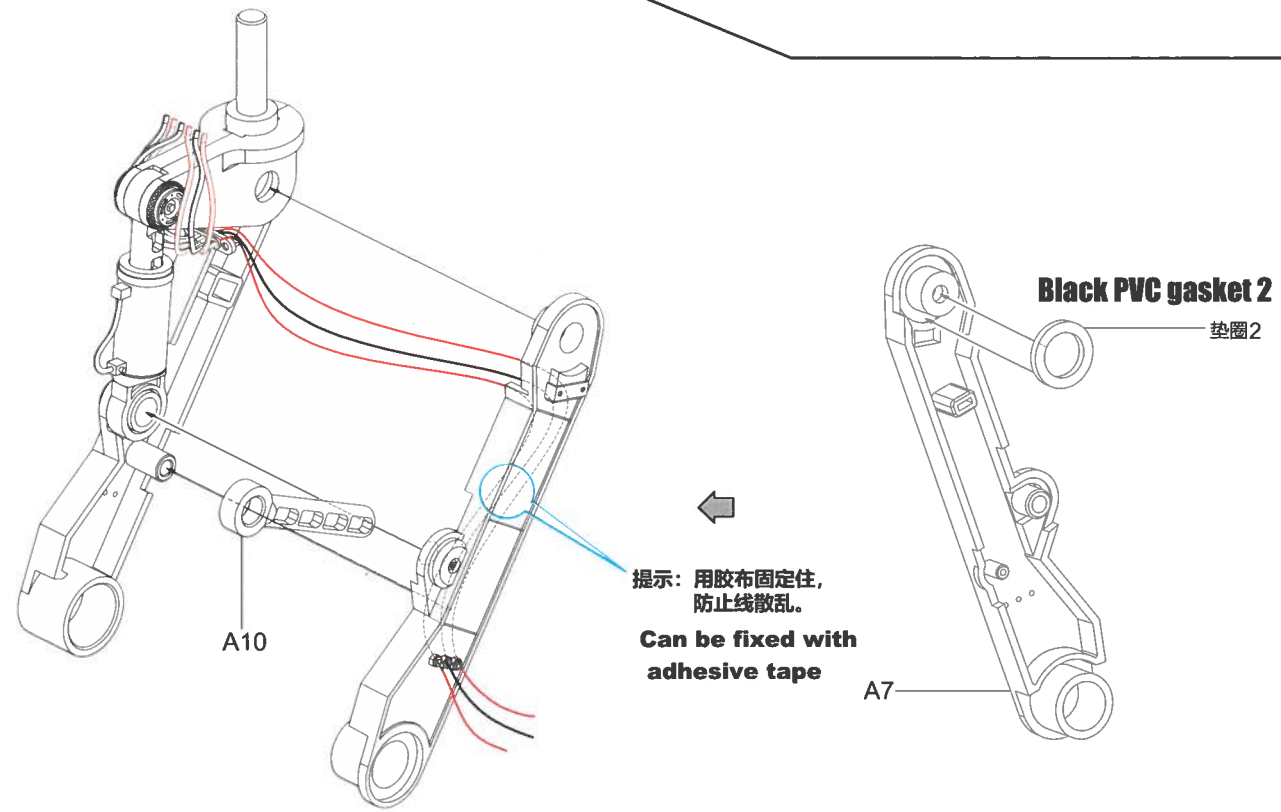
23



提示：用胶布固定住，防止线散乱。
Can be fixed with adhesive tape



P



提示：用胶布固定住，防止线散乱。
Can be fixed with adhesive tape

Black PVC gasket 2

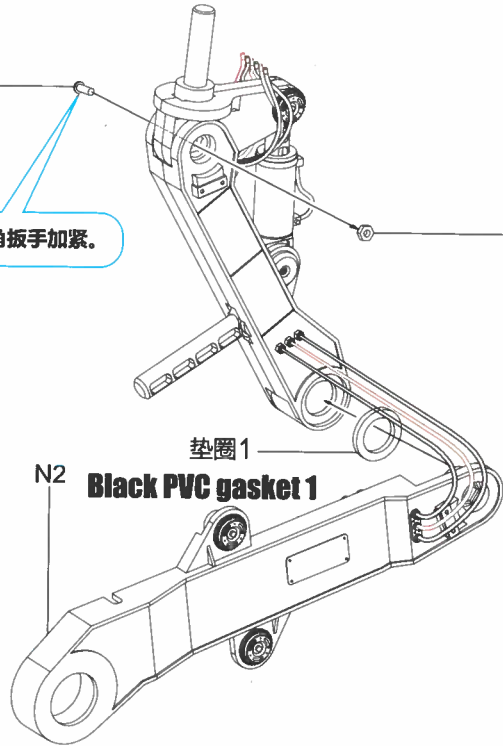
垫圈2

24

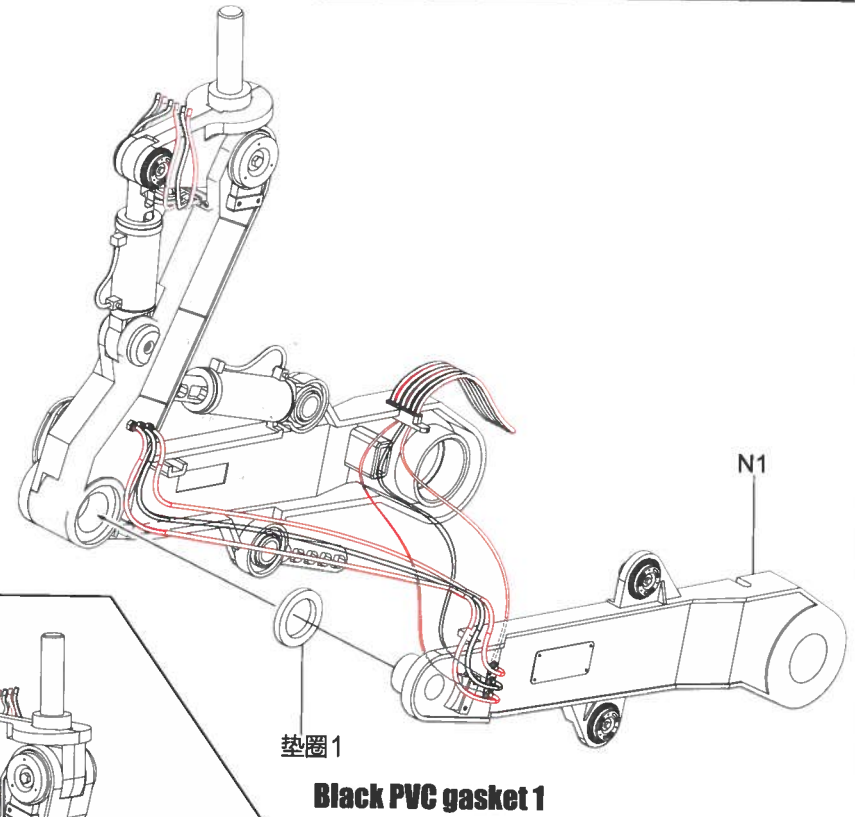
M4*6
六角金属螺丝

提示: 用内六角扳手加紧。

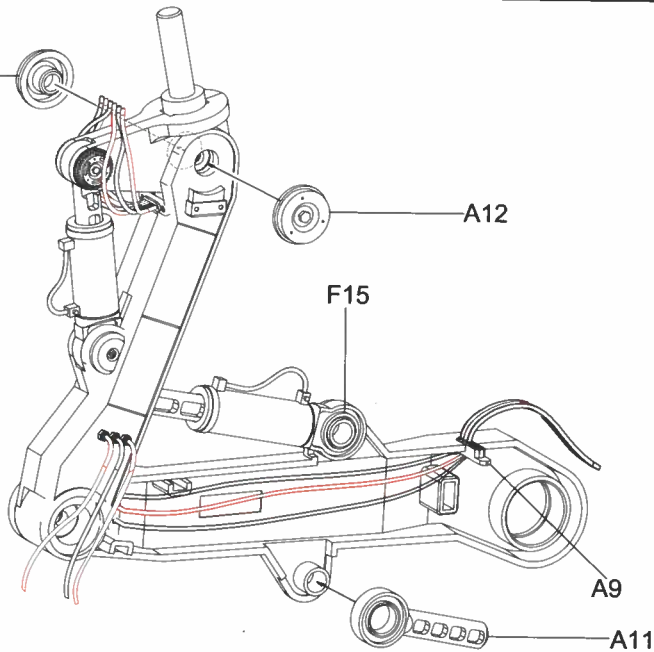
NUT
六角金属螺母



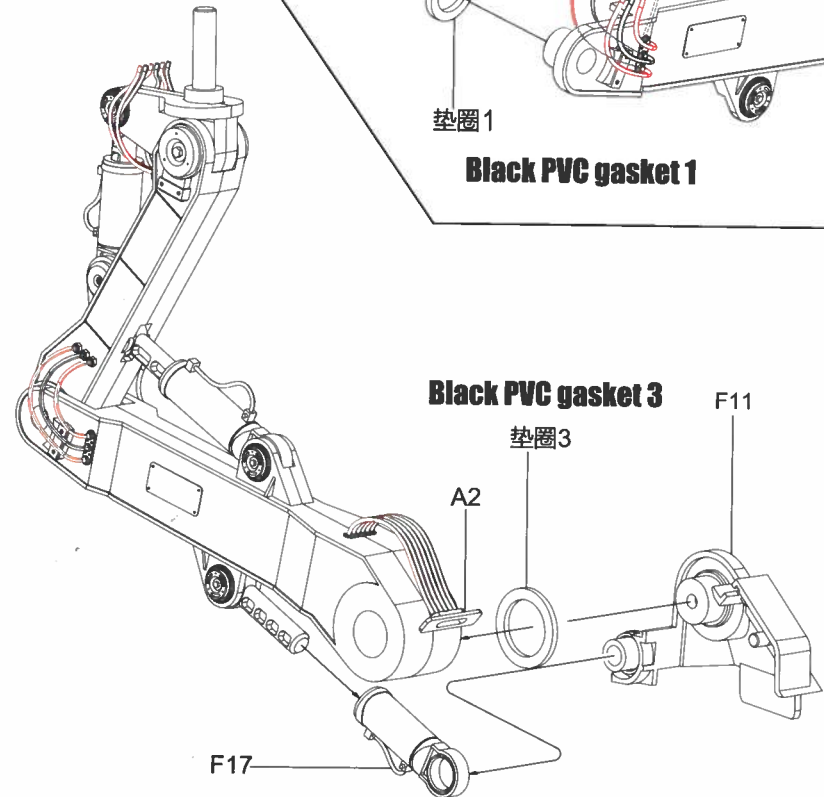
25



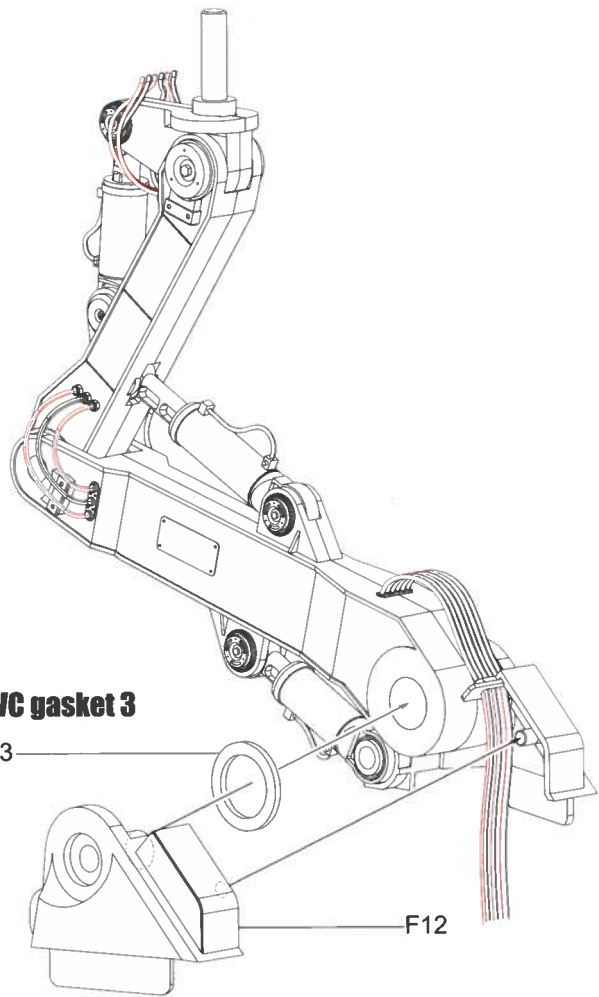
A13



Black PVC gasket 3



26

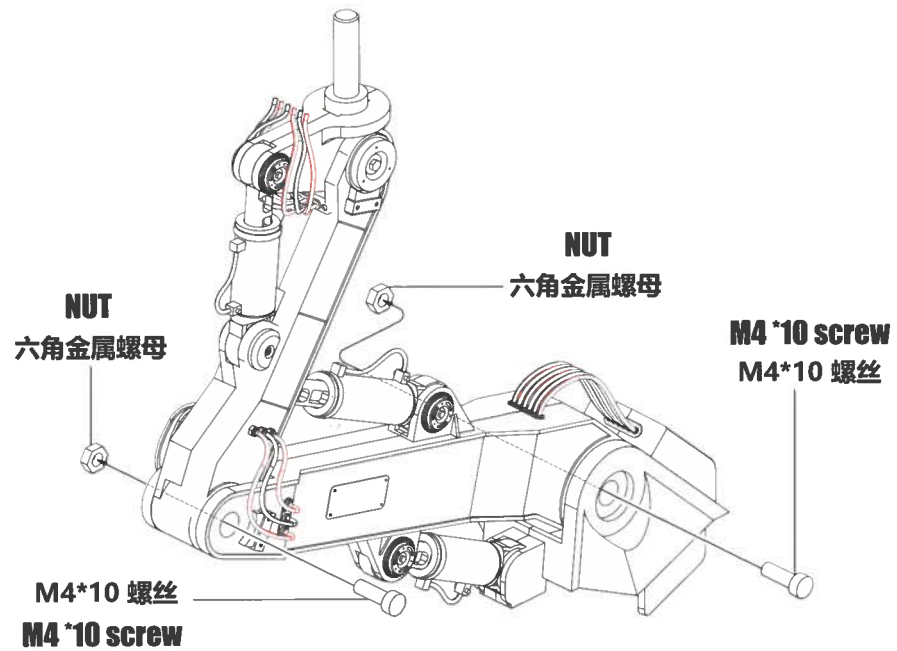


Black PVC gasket 3

垫圈 3

F12

27

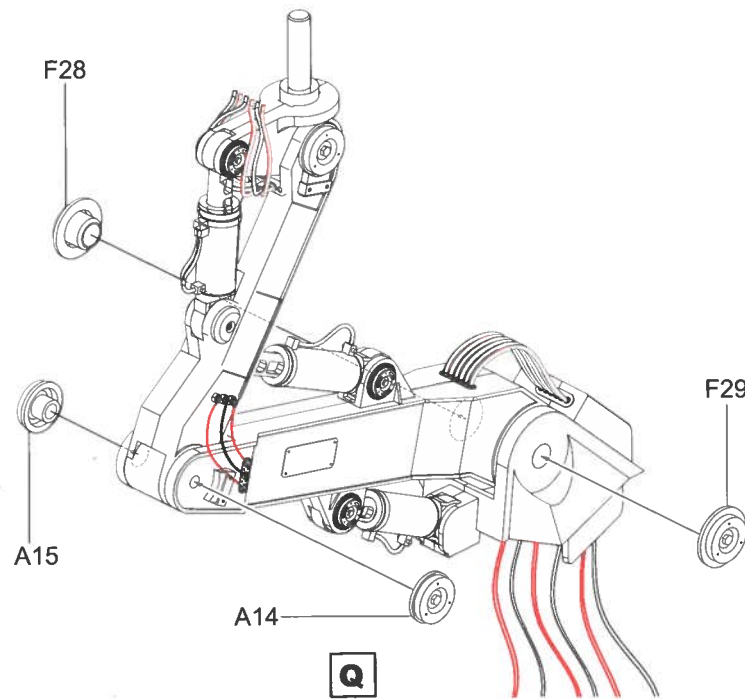


NUT
六角金属螺母

NUT
六角金属螺母

M4 *10 screw
M4*10 螺丝

M4*10 螺丝
M4 *10 screw



F28

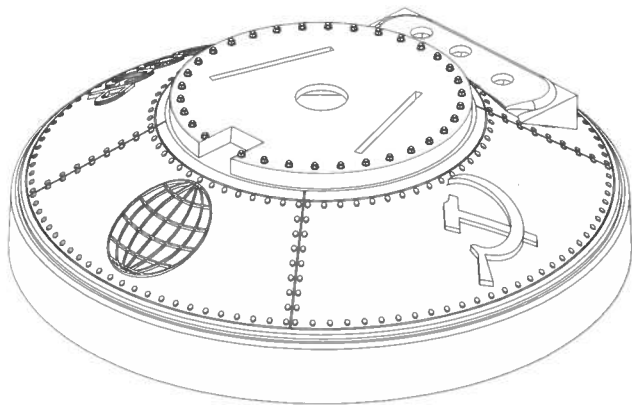
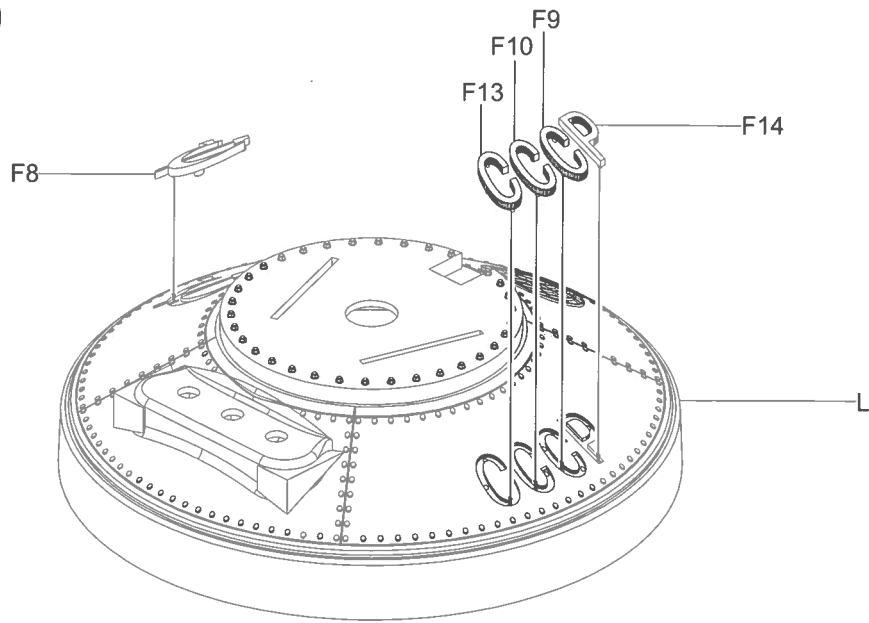
A15

A14

F29

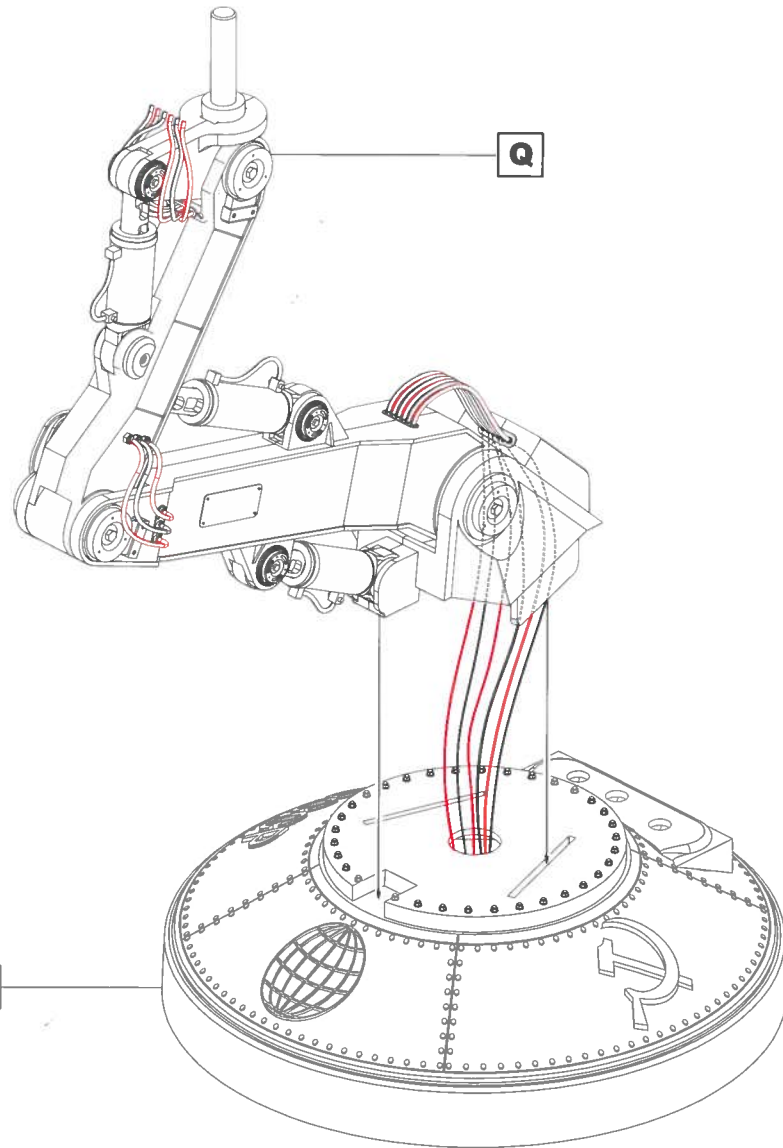


28



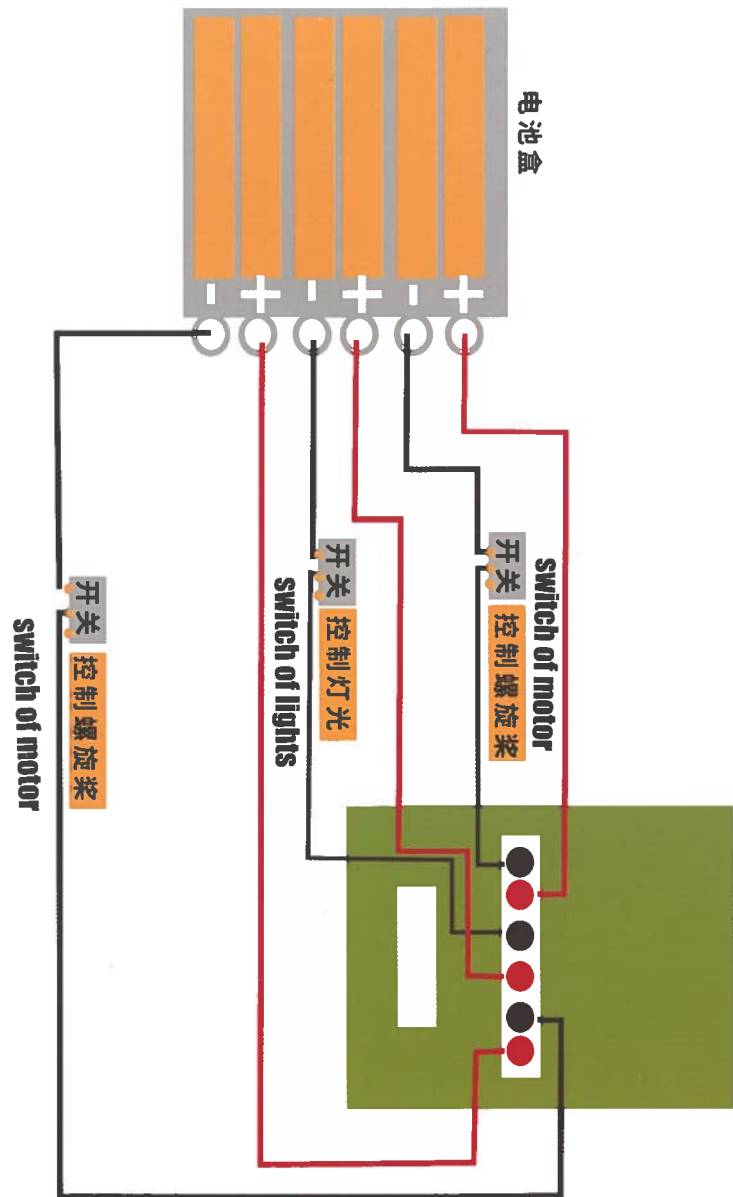
R

29

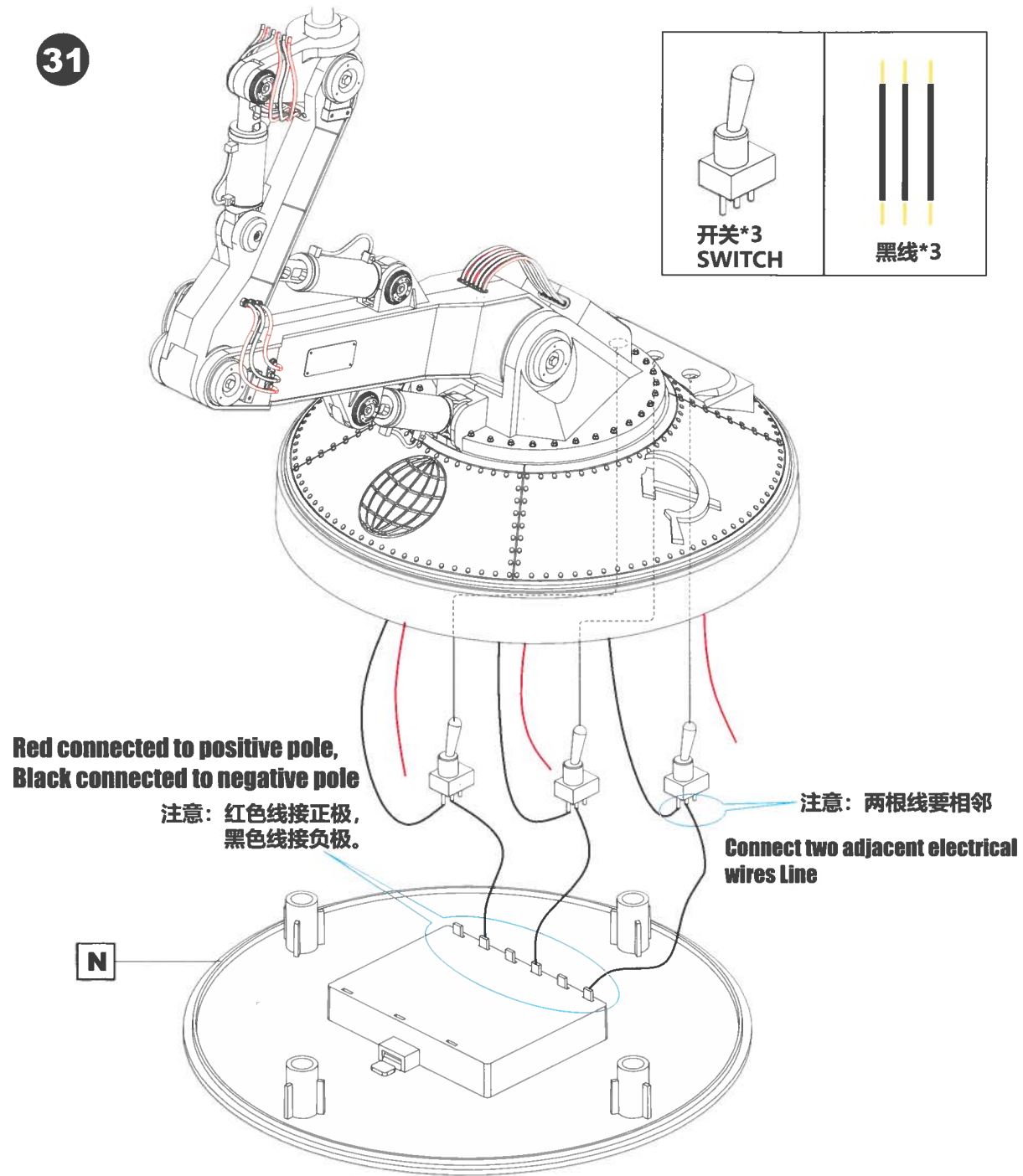


R

30

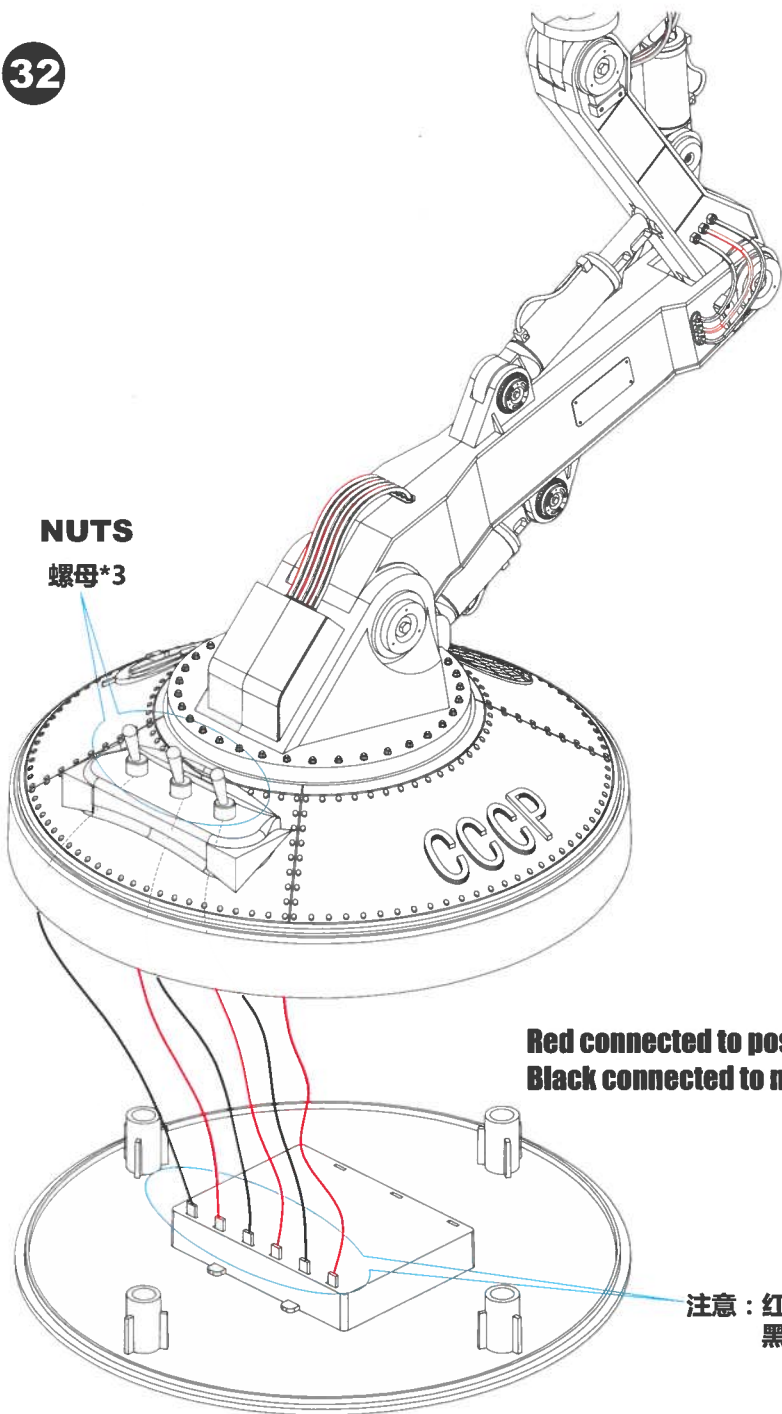


31



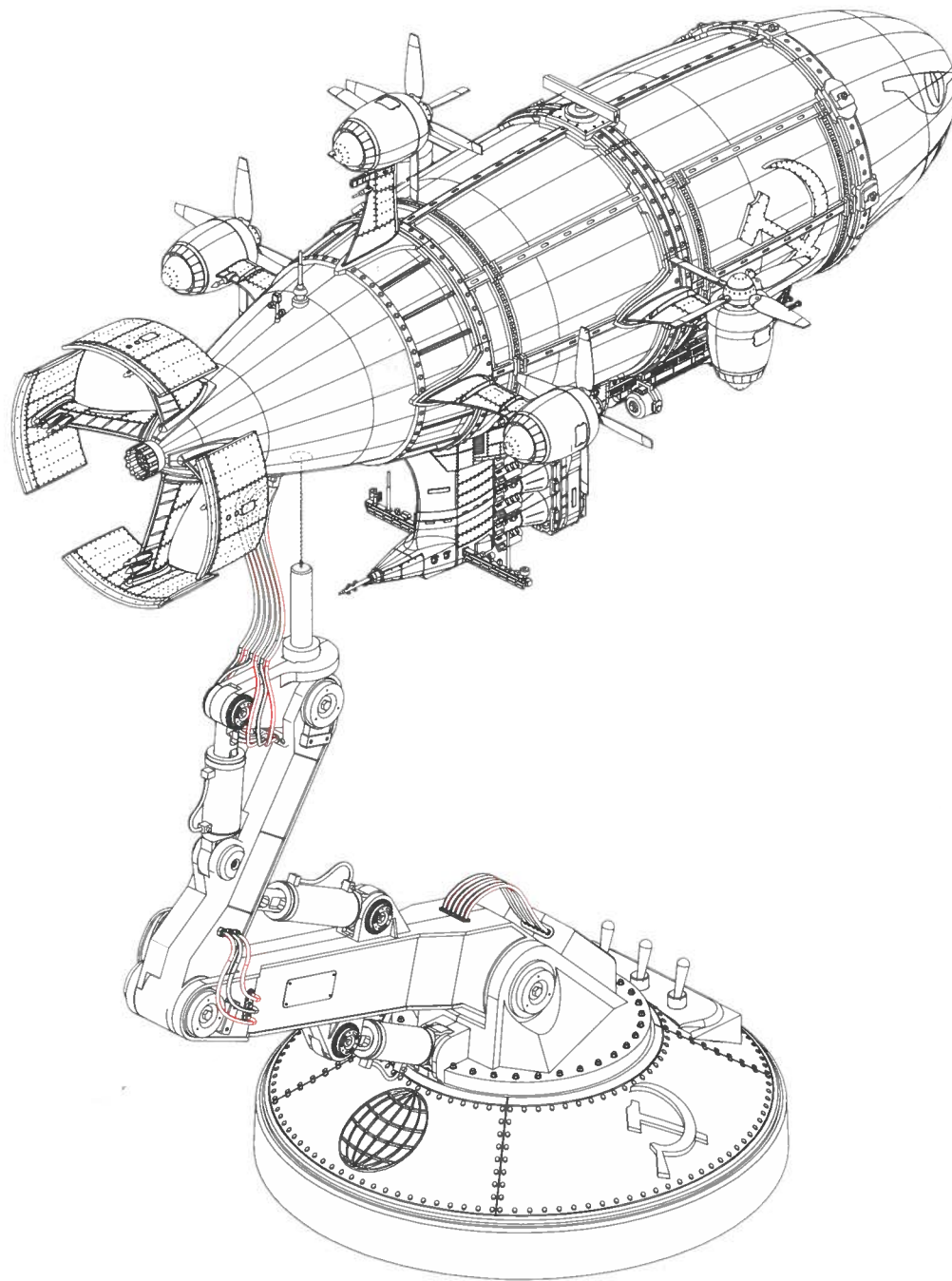
32

NUTS
螺母*3



**Red connected to positive pole,
Black connected to negative pole**

**注意：红色线接正极，
黑色线接负极。**



Kirov Airship

