

IAI F-21A Kfir

U.S. Navy & U.S. Marine Corps

WMK48003

1/48 Scale

Assembly guide



Do the same for the opposite side



Options



Use Wingman parts instead



Drill a hole



Apply decal



Photo etch parts. Glue with Super glue.



Multiple time

CAUTION

*Read carefully and fully understand the instructions before commencing assembly.

*Keep out of reach of children. Children must not be allowed to put any parts in their mouths, or pull plastic bag over their heads.

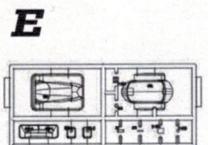
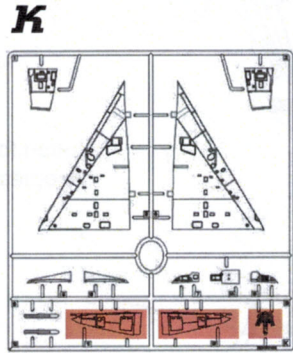
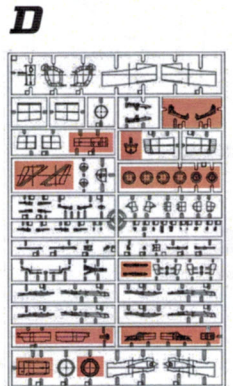
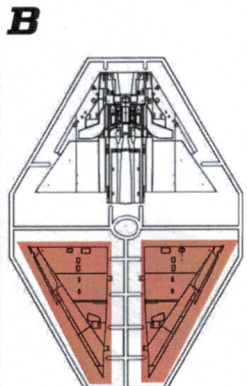
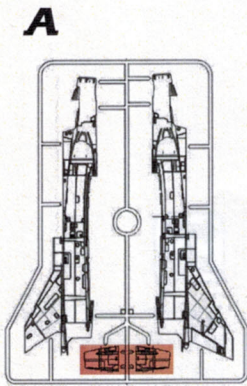
*When using adhesives and paints, please make sure not to use them in closed room or near the fire.

*When assembling this kit, tools including knives are used. Extra care should be taken to avoid injury.

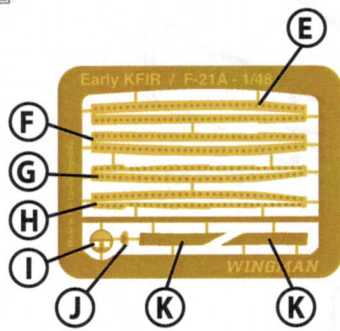
WARNING: CONTAIN SMALL PARTS NOT FOR CHILDREN UNDER 14 YEARS OF AGE.

Plastic parts

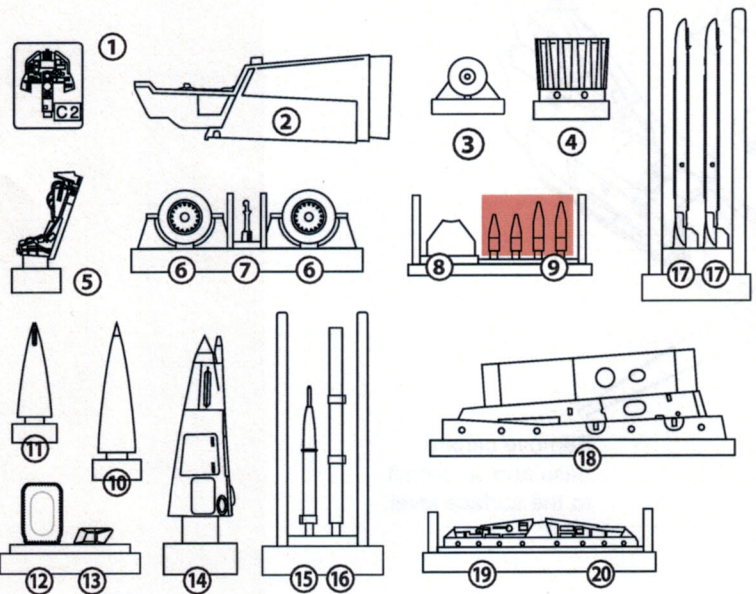
Parts not in use



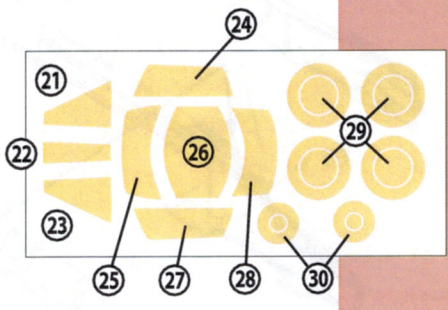
Etched metal parts



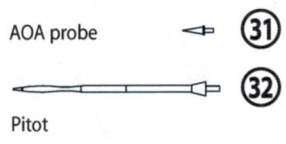
Resin parts



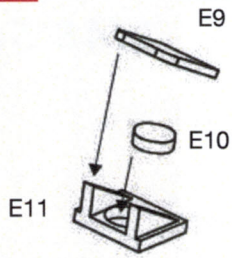
Paper masking



Brass parts



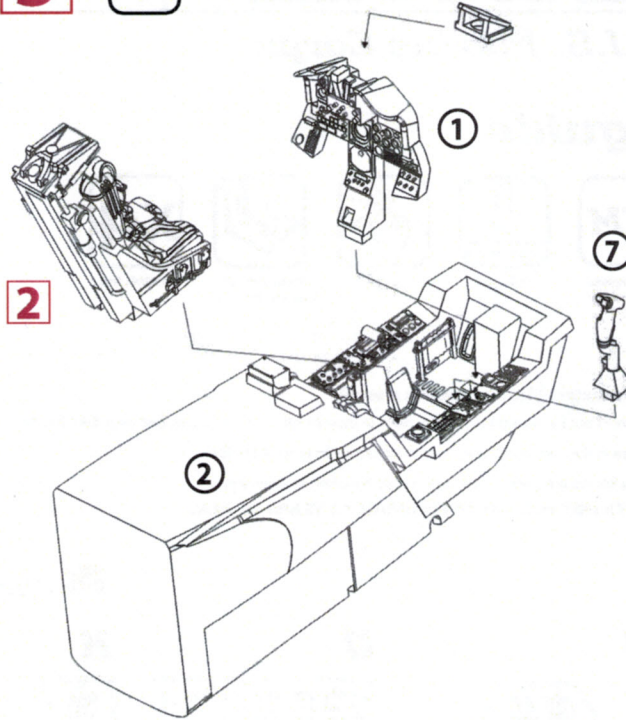
1



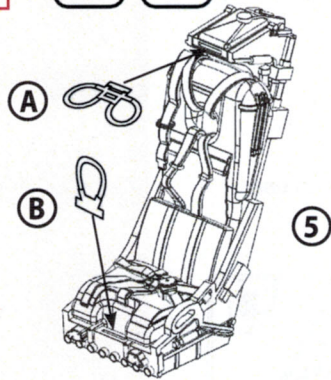
3



1

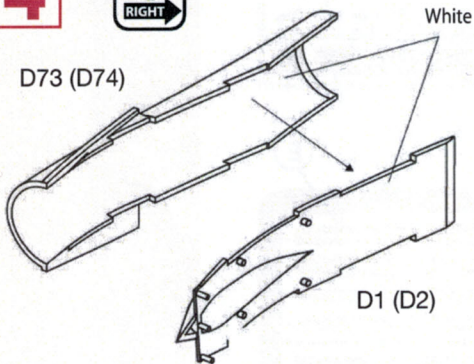


2

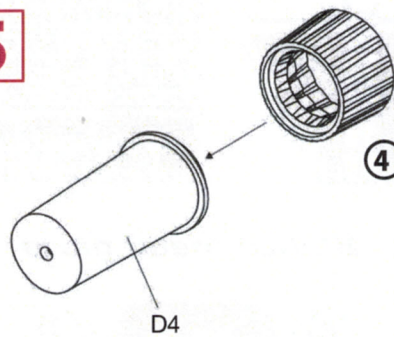


Option for closed canopies.

4



5

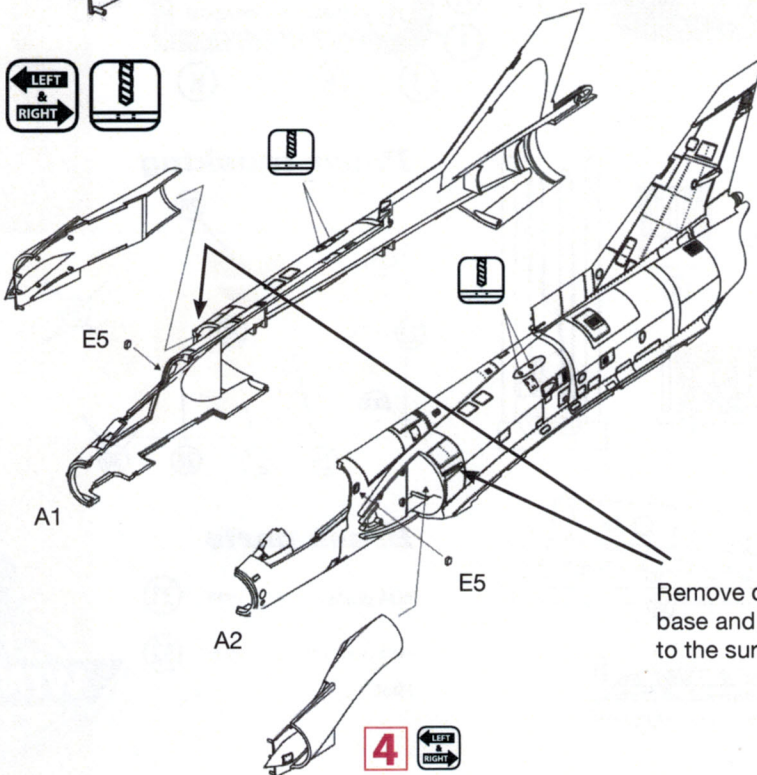


The numbers in brackets refer to the other side.

5



4

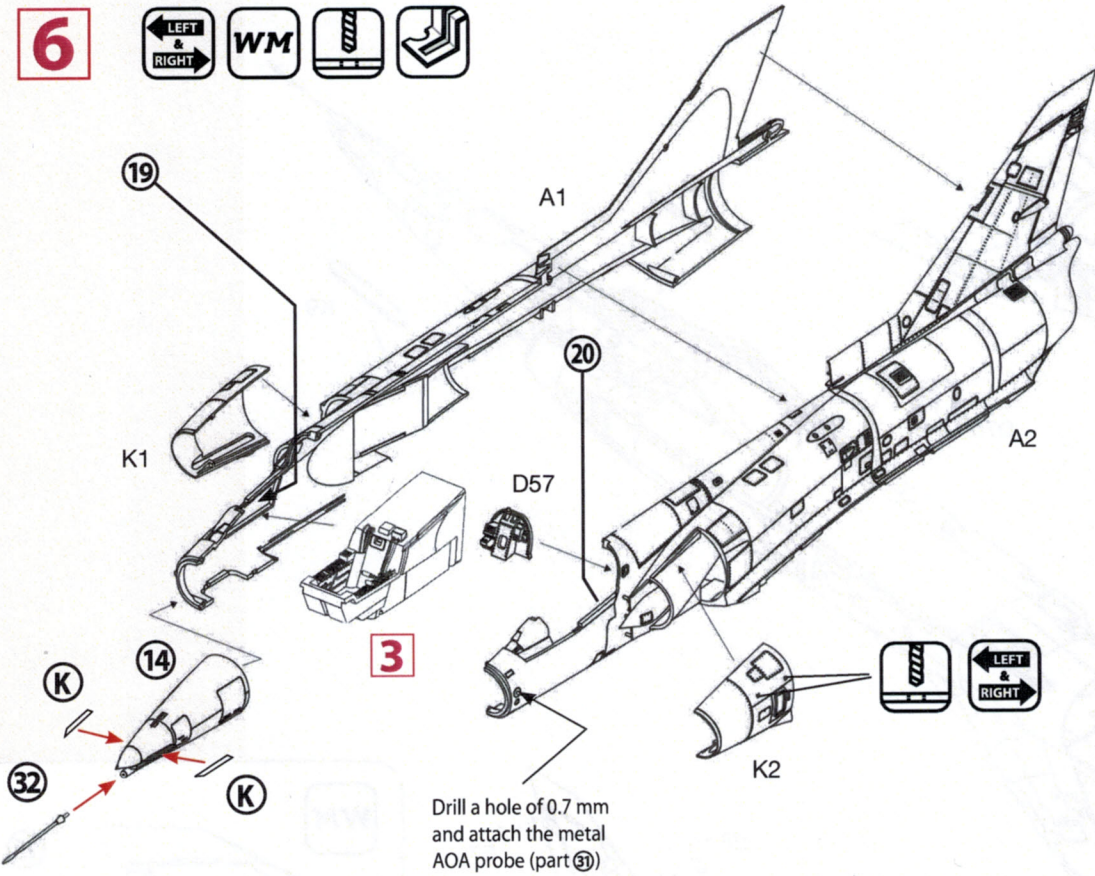


Remove canard base and smooth it to the surface level.

4



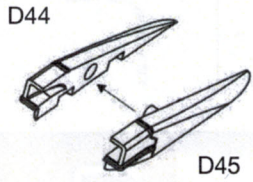
6



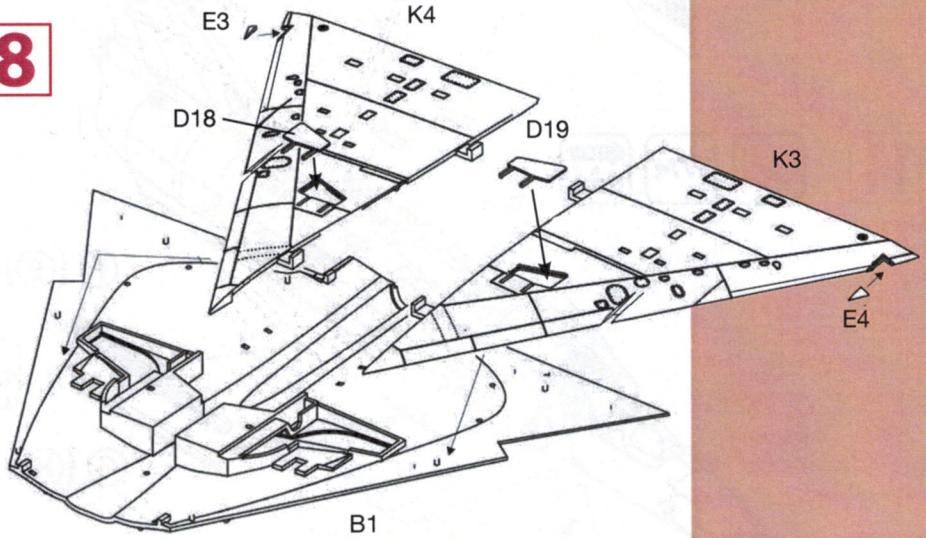
Drill the holes on both intakes.

7

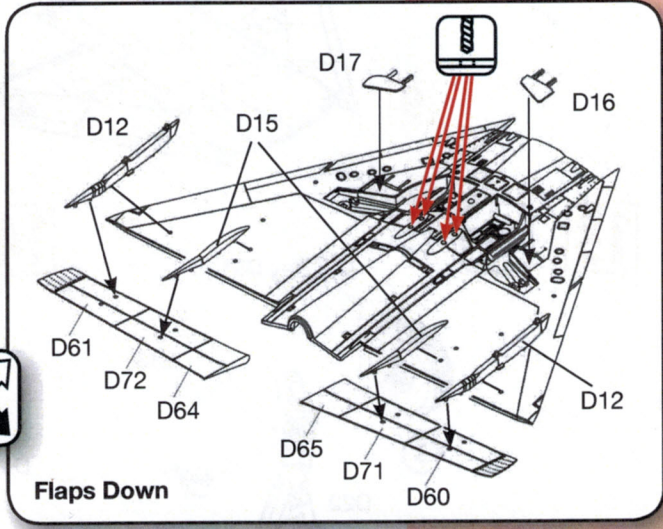
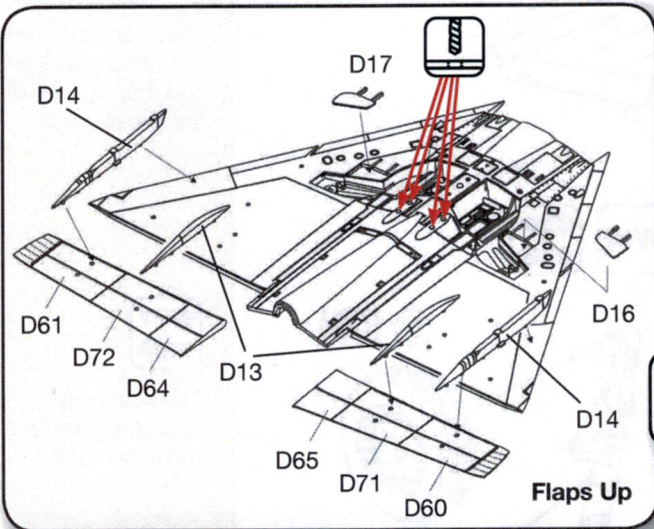
x4



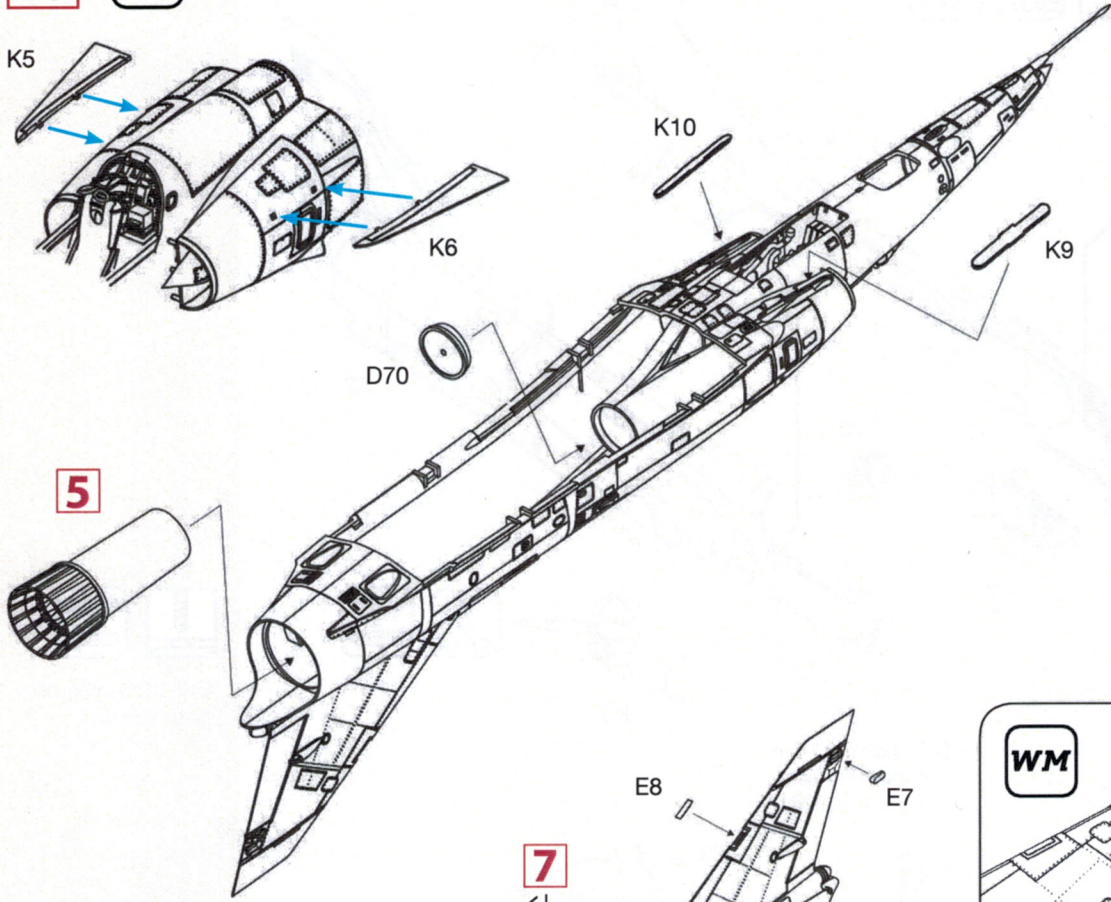
8



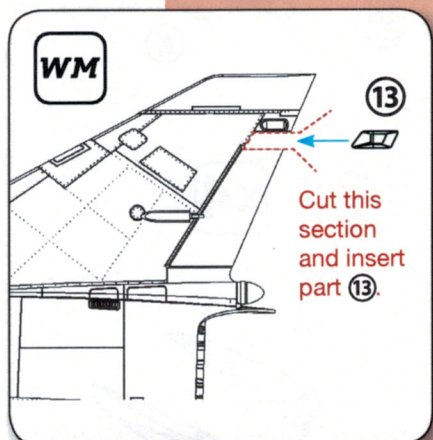
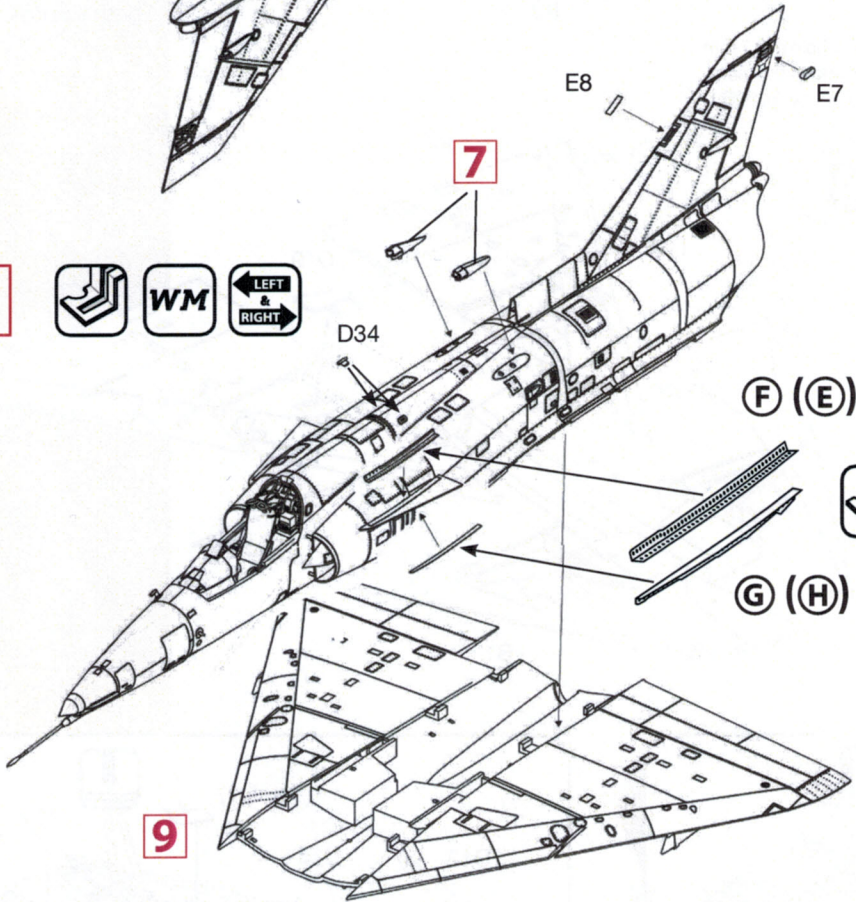
9



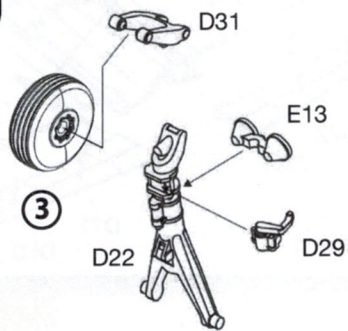
10 WM



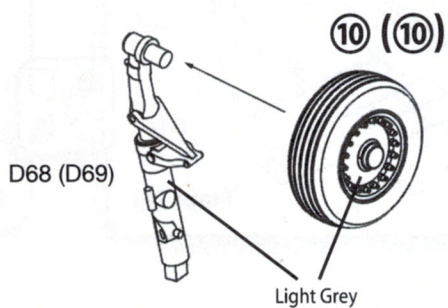
11 WM LEFT & RIGHT



13 WM



14 WM LEFT & RIGHT



LEFT & RIGHT

The numbers in brackets refer to the other side.

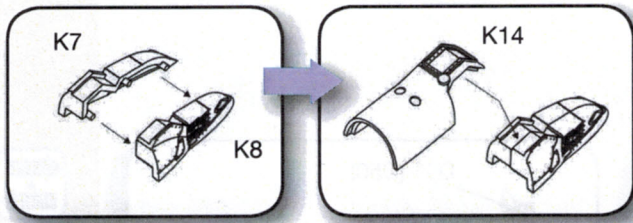


Bend etched parts and attach to the top and bottom of the small cards.

LEFT & RIGHT

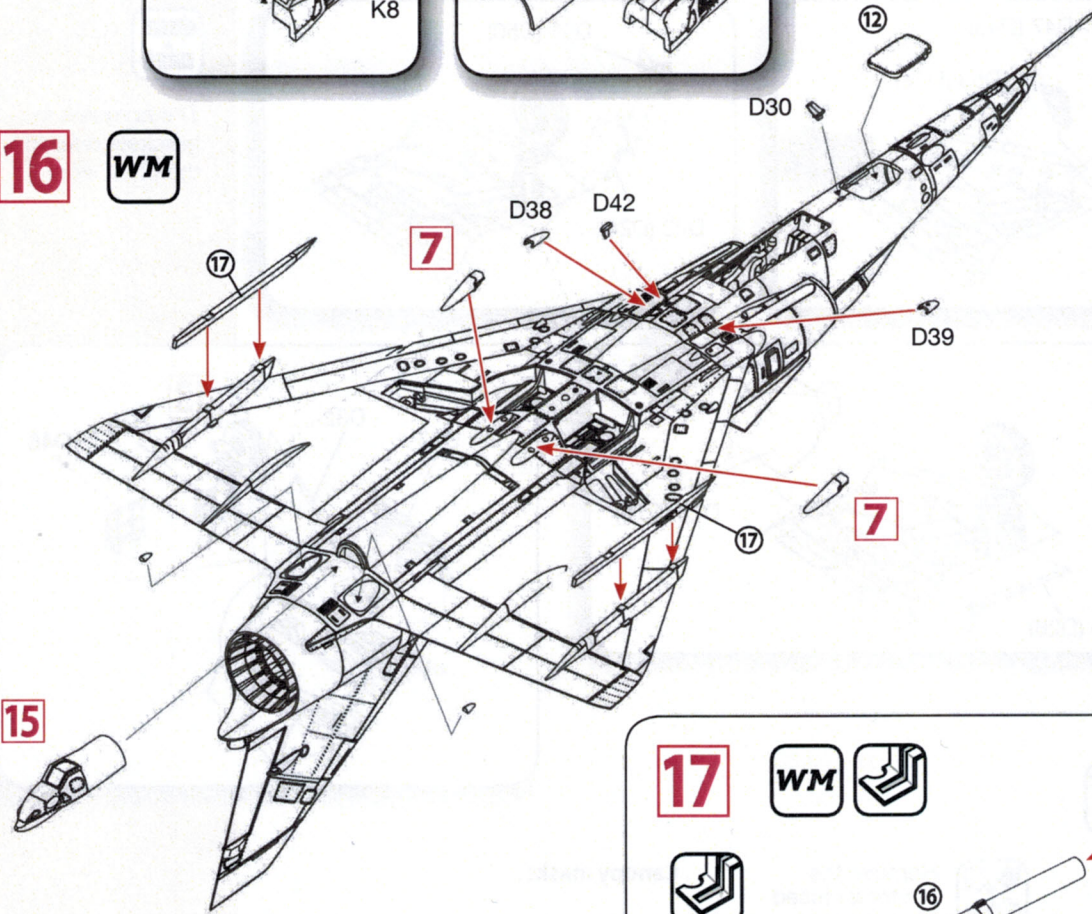
The numbers in brackets refer to the other side.

15

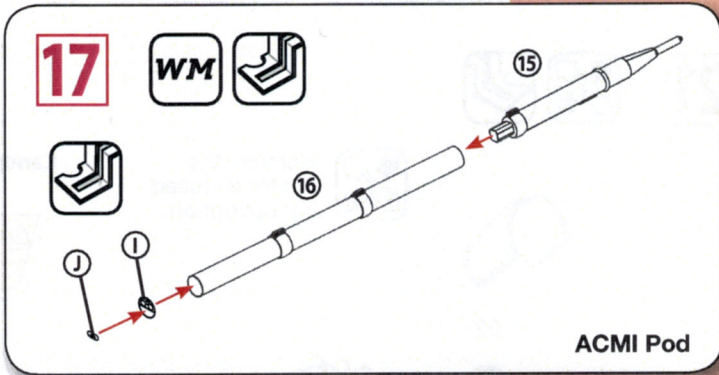


16

WM



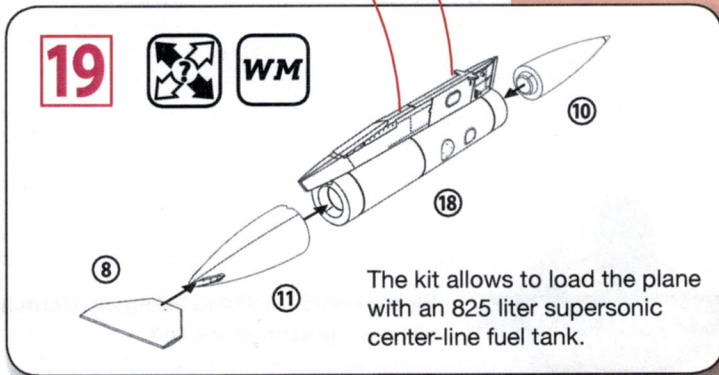
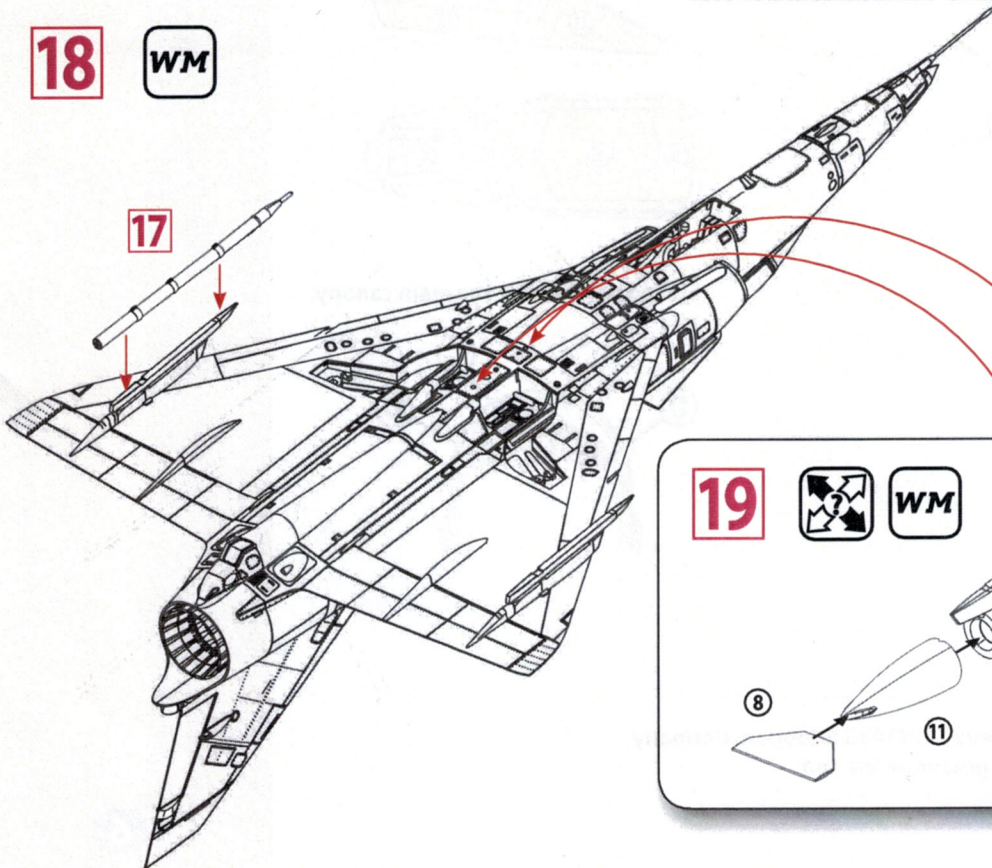
15



ACMI Pod

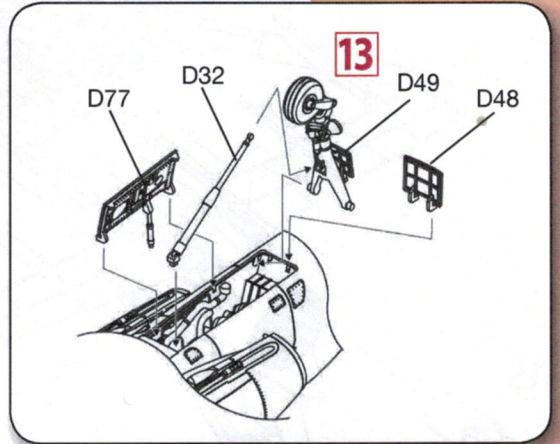
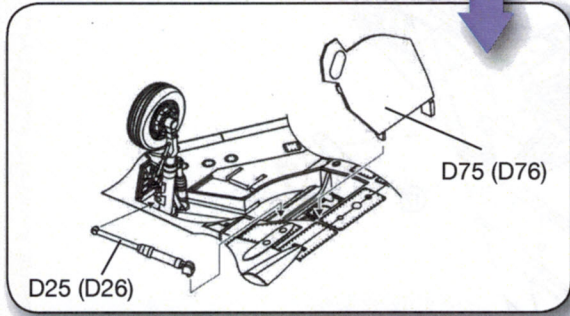
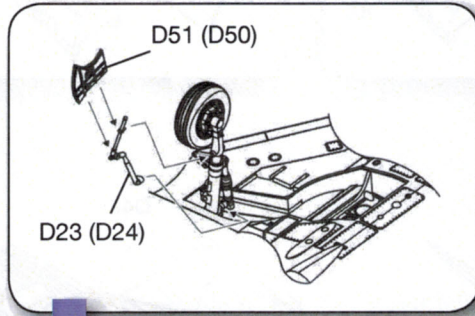
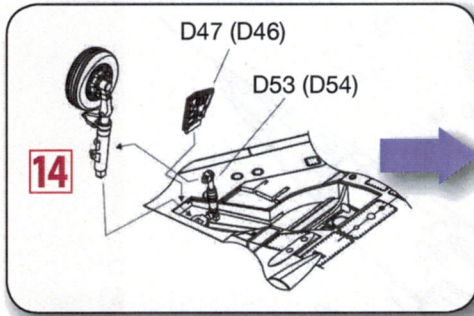
18

WM



The kit allows to load the plane with an 825 liter supersonic center-line fuel tank.

20

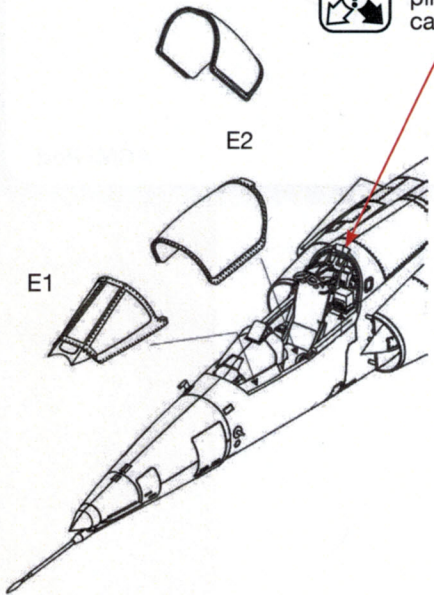


The numbers in brackets refer to the other side.

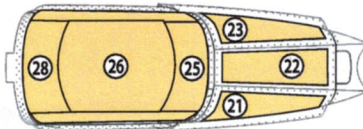
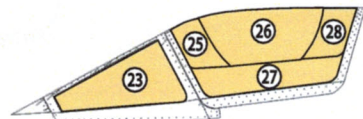
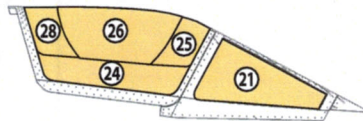
21



Remove the pin for a closed canopy option.

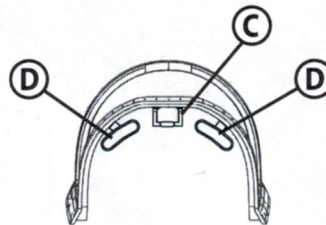


Canopy masks



Options for open or closed canopies.

Etched parts inside the main canopy.



We are right beside you!

Wetterkreuz 13, 91058 Erlangen, Germany
www.wingmanmodels.com

IAI F-21A Kfir

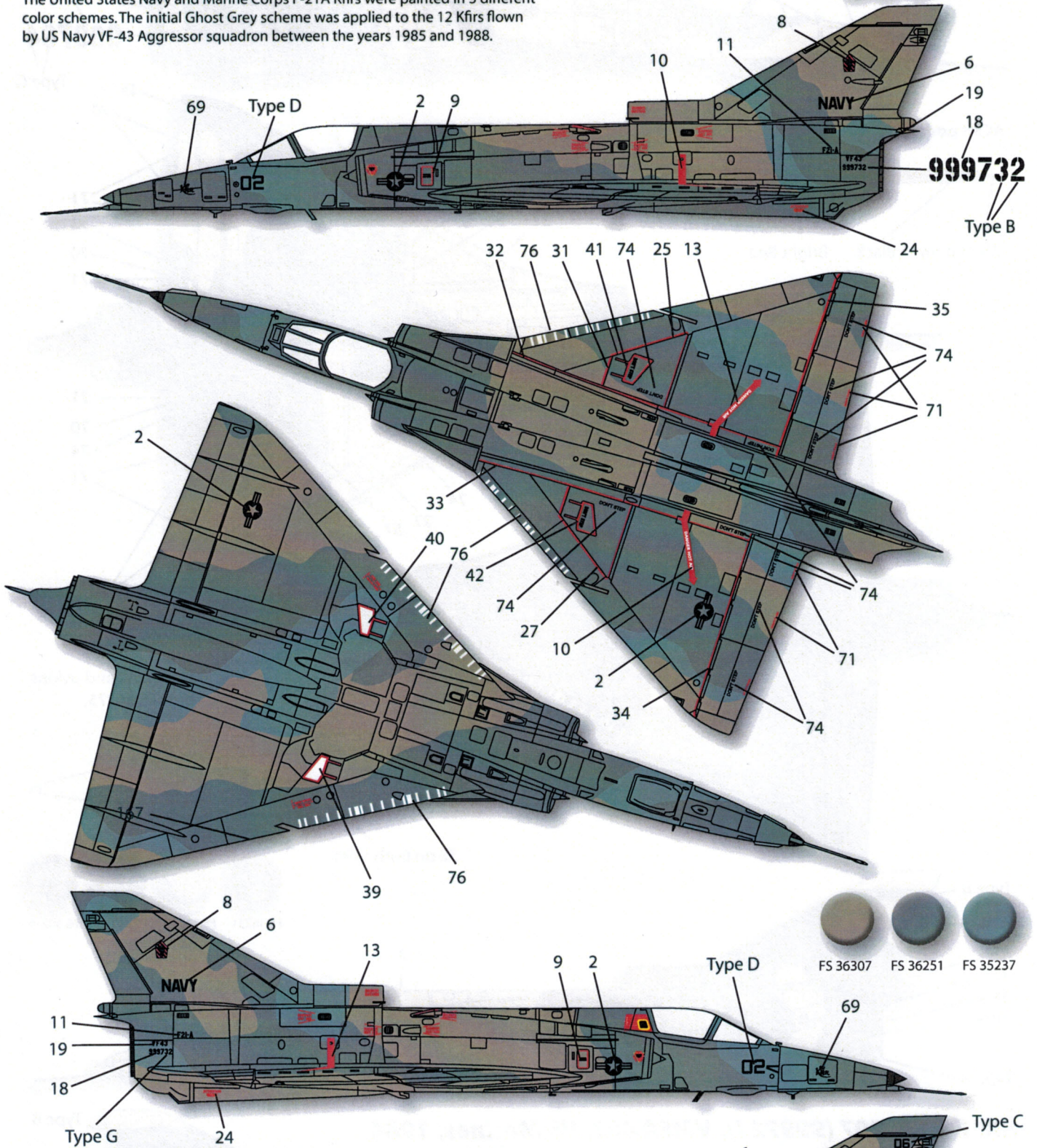
U.S. Navy & U.S. Marine Corps



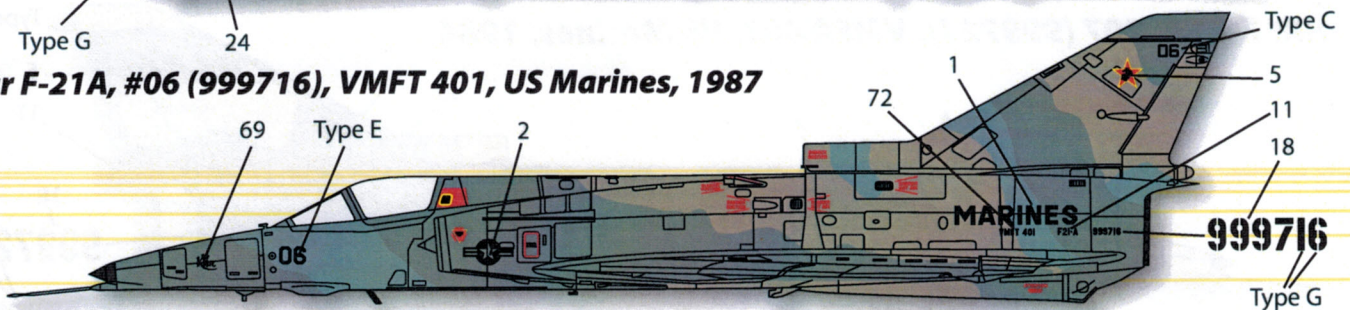
We are right beside you!

Kfir F-21A, #02 (999732), VF 43, US Navy, 1985

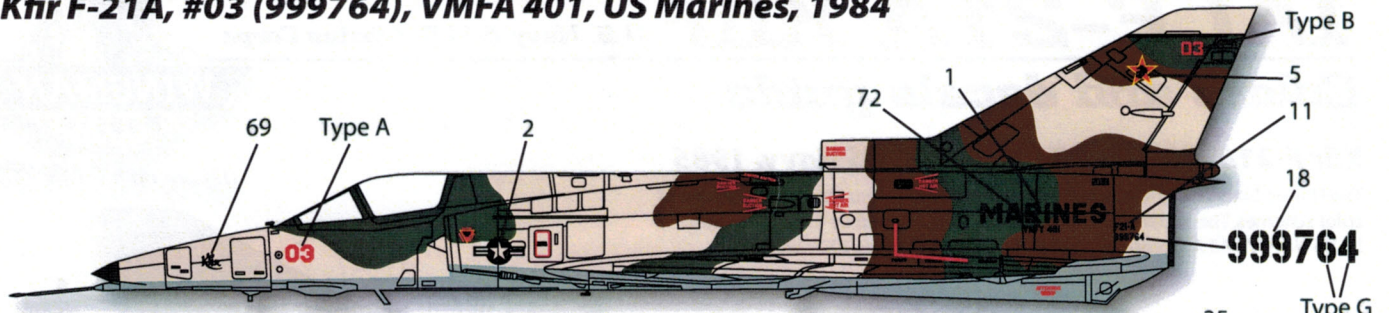
The United States Navy and Marine Corps F-21A Kfirs were painted in 3 different color schemes. The initial Ghost Grey scheme was applied to the 12 Kfirs flown by US Navy VF-43 Aggressor squadron between the years 1985 and 1988.



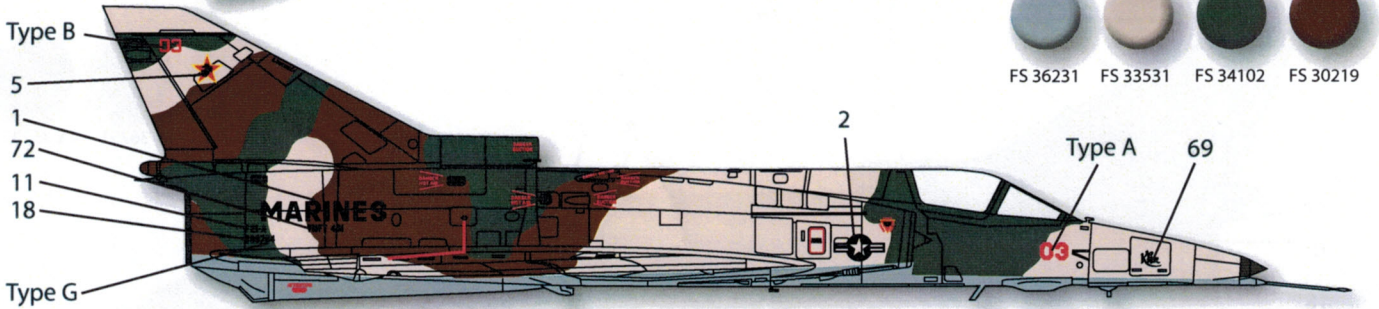
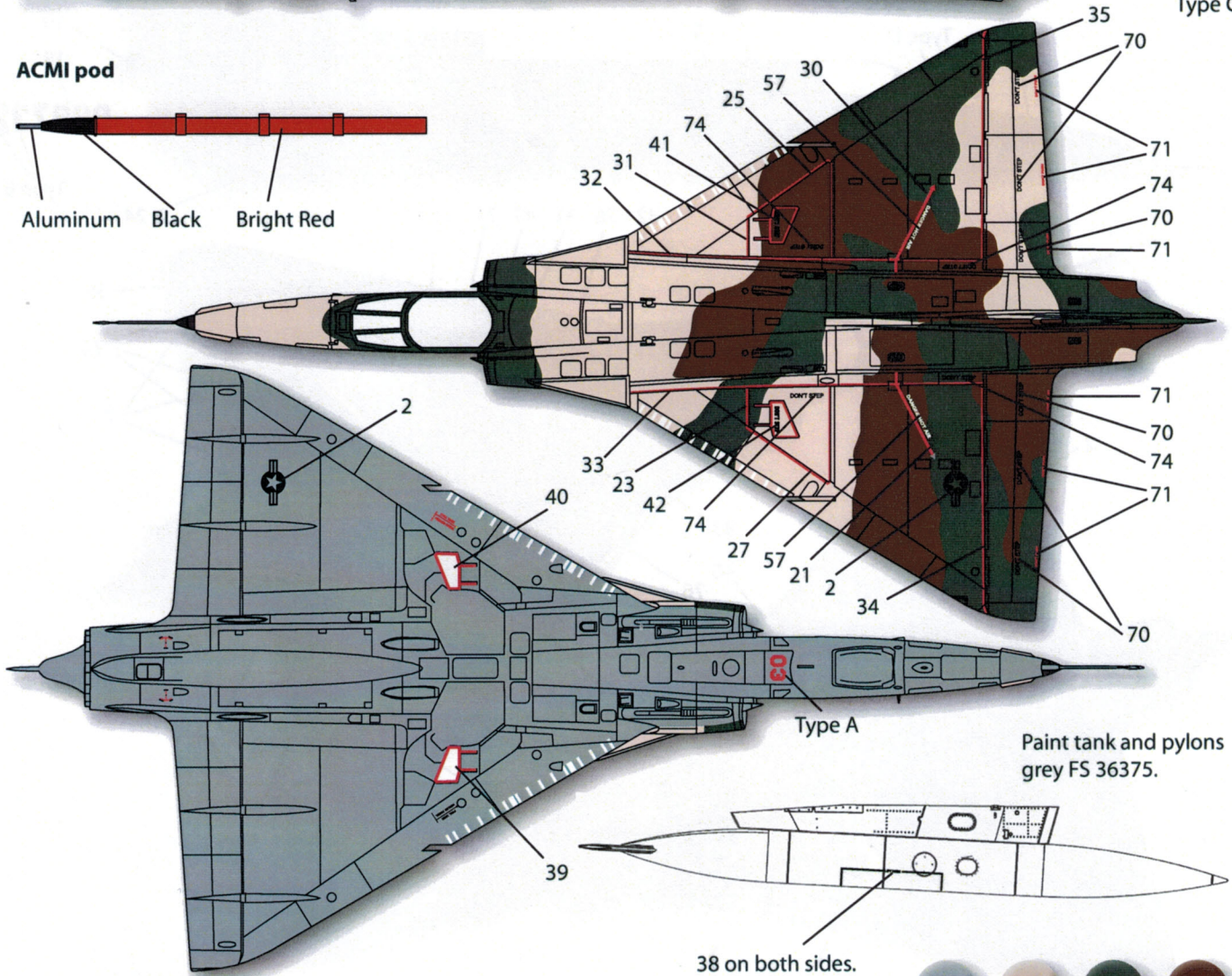
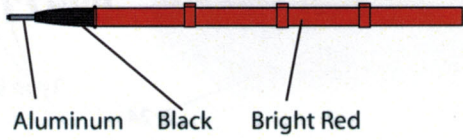
Kfir F-21A, #06 (999716), VMFT 401, US Marines, 1987



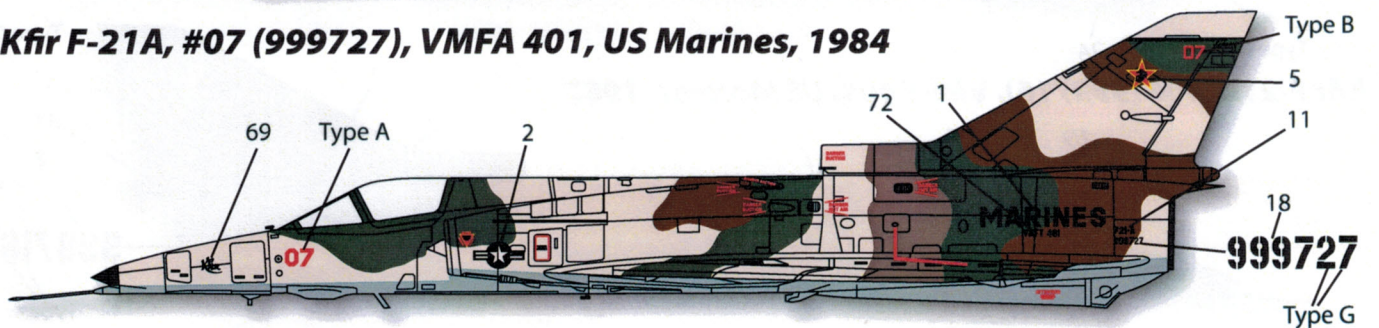
Kfir F-21A, #03 (999764), VMFA 401, US Marines, 1984



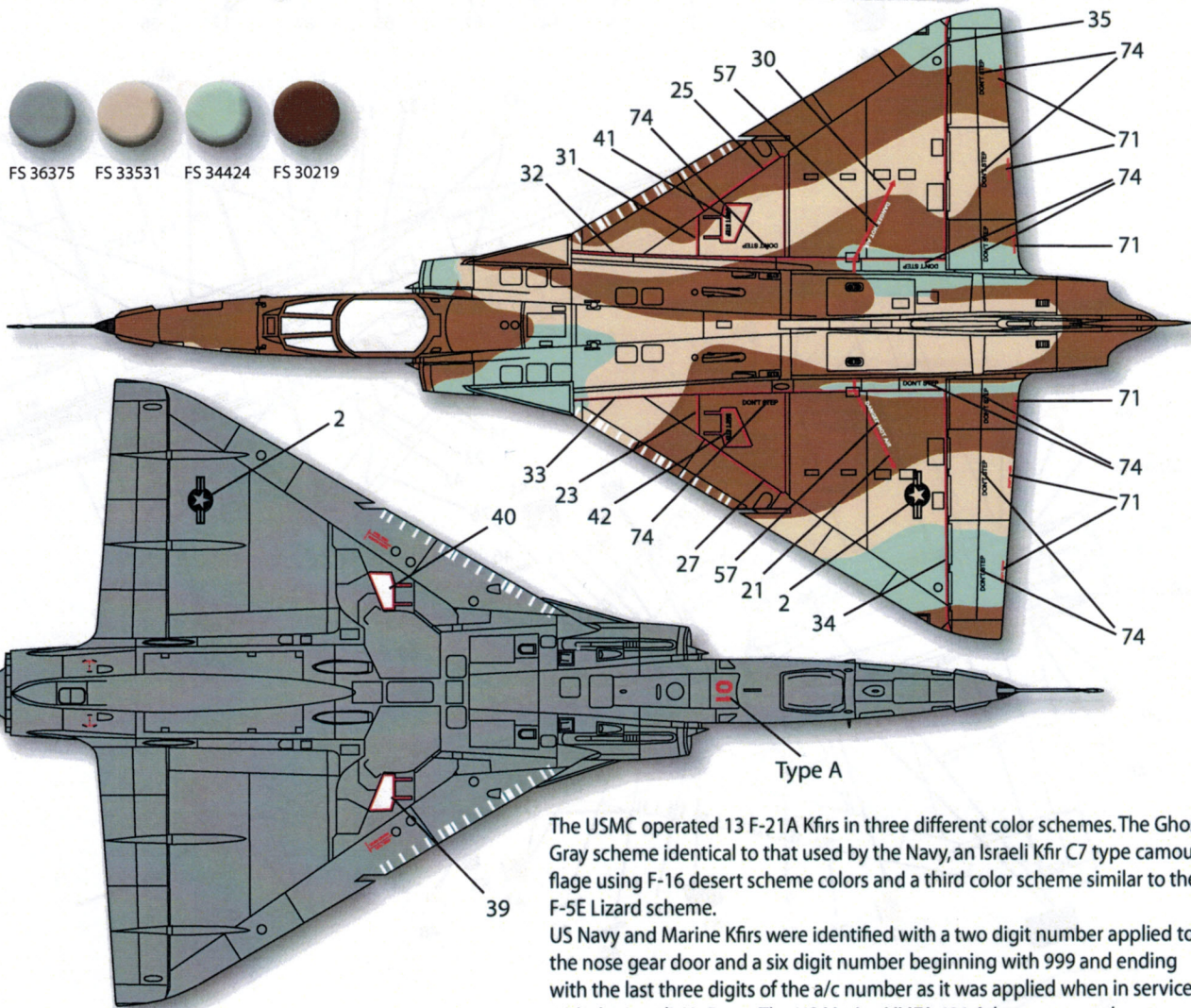
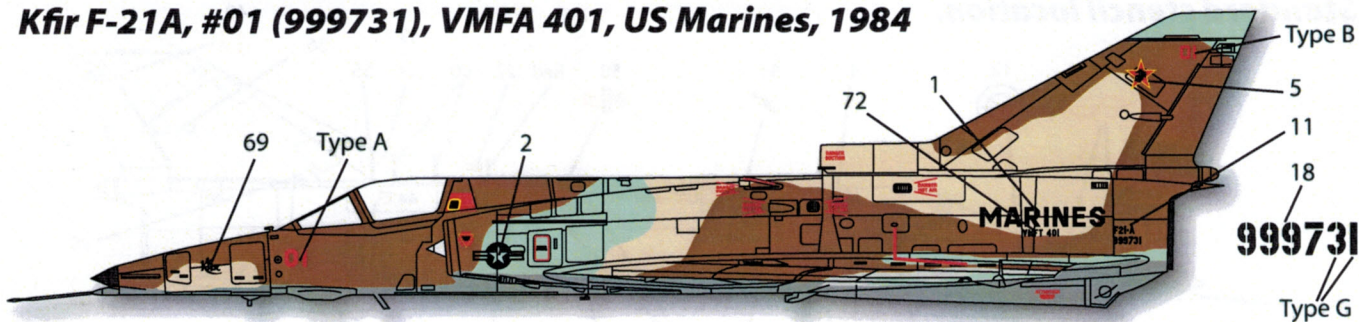
ACMI pod



Kfir F-21A, #07 (999727), VMFA 401, US Marines, 1984



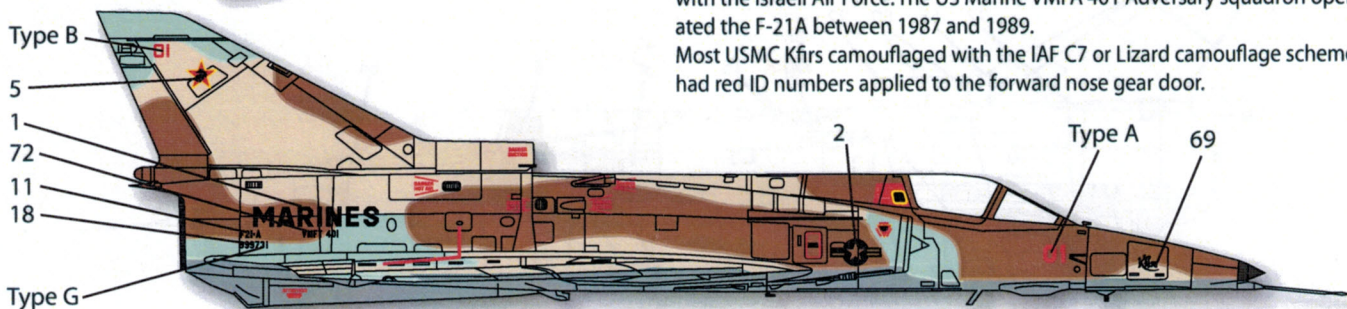
Kfir F-21A, #01 (999731), VMFA 401, US Marines, 1984



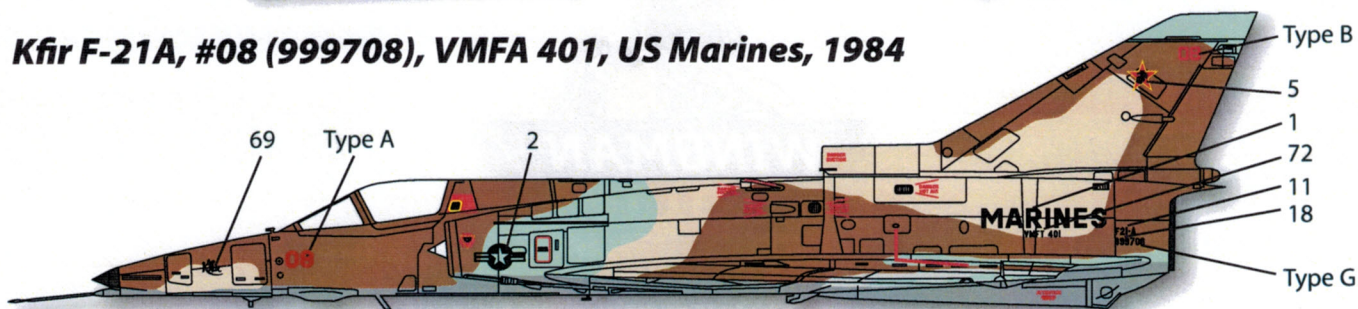
The USMC operated 13 F-21A Kfirs in three different color schemes. The Ghost Gray scheme identical to that used by the Navy, an Israeli Kfir C7 type camouflage using F-16 desert scheme colors and a third color scheme similar to the F-5E Lizard scheme.

US Navy and Marine Kfirs were identified with a two digit number applied to the nose gear door and a six digit number beginning with 999 and ending with the last three digits of the a/c number as it was applied when in service with the Israeli Air Force. The US Marine VMFA 401 Adversary squadron operated the F-21A between 1987 and 1989.

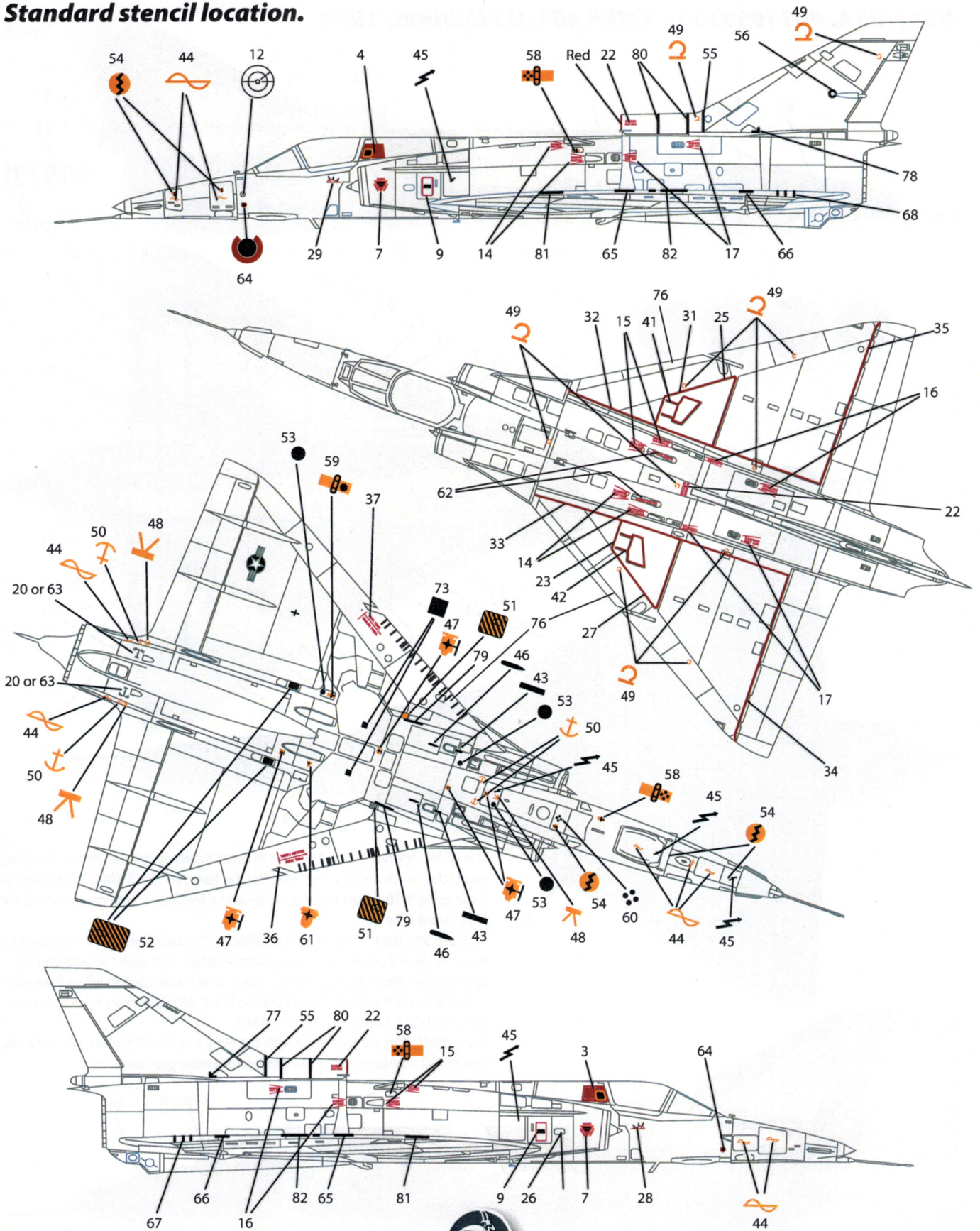
Most USMC Kfirs camouflaged with the IAF C7 or Lizard camouflage scheme, had red ID numbers applied to the forward nose gear door.



Kfir F-21A, #08 (999708), VMFA 401, US Marines, 1984



Standard stencil location.



© All rights reserved to Wingman Models 2014



We are right beside you!

Wetterkreuz 13,91058 Erlangen, Germany
www.wingmanmodels.com