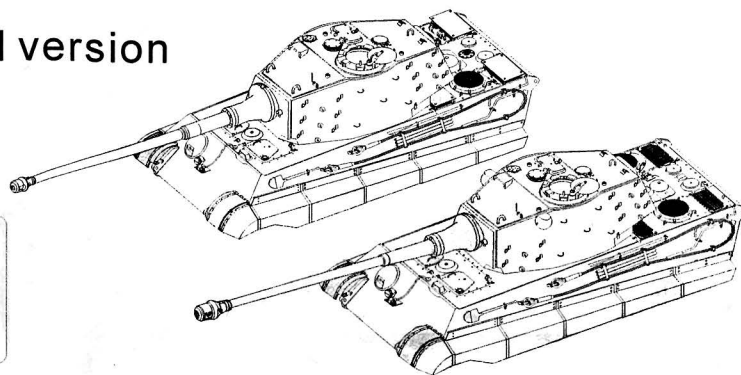
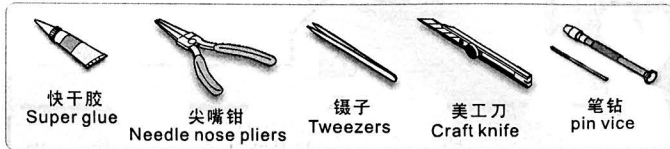


WWII German King Tiger Final version

二战德军虎王最终型改造件

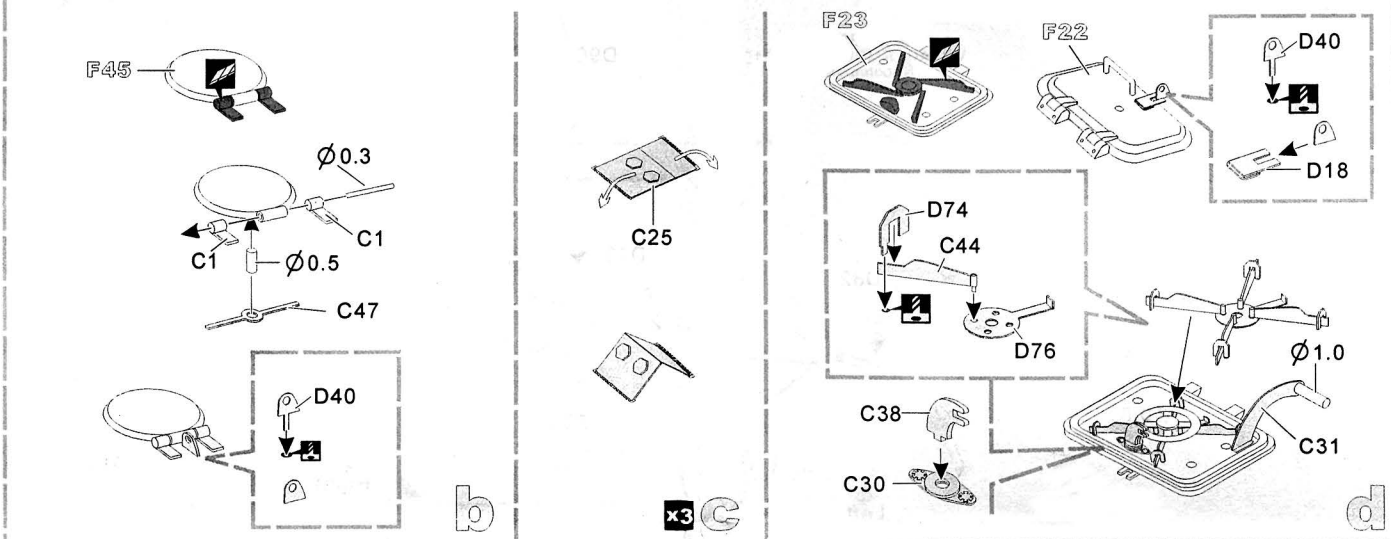
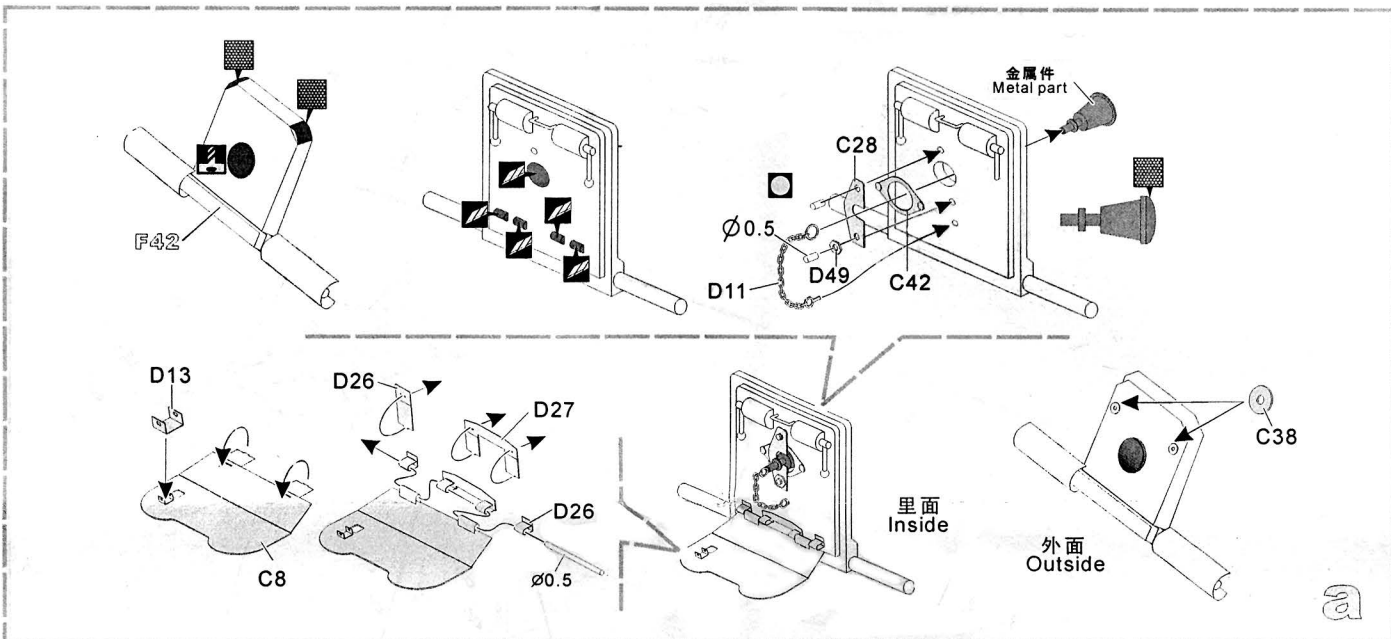
[For MENG TS-031]

■ 推荐使用工具 RECOMMENDED TOOLS

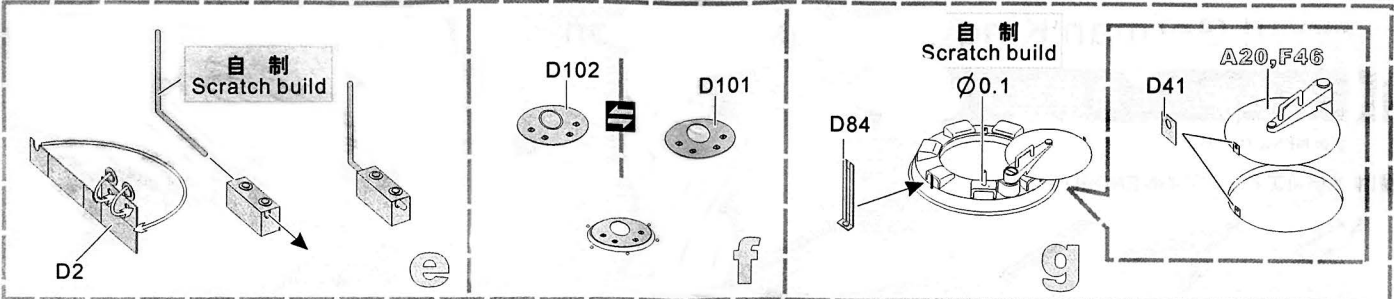


- 
安装
install
- 
折叠
bend
- A1**
 改造件零件编号
PE/resin part number
- B12**
 原零件编号
kit part number
- C22**
 被替换的原零件编号
replaced kit part number
- 
选择安装
alternative
- 
 用尖端在凹槽处冲压
use penpoint to press on the dent
- 
弧度卷曲
radial bending
- 
钻孔
drill
- 
切除
remove
- 
另一侧相同制作
repeat on opposite side
- 
打磨
grind off
- 
填补
fill
- 
制作若干组
multiple assembly
- 蚀刻片零件内侧面
PE part inboard side turn up
用笔尖在凹槽处划
Use penpoint scratch on the flute

圆珠笔
Ballpen



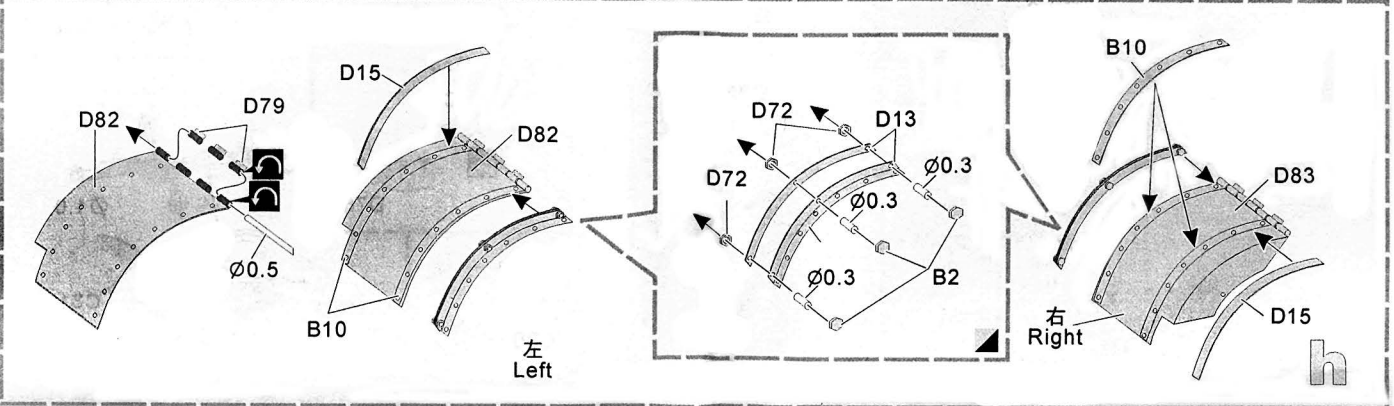
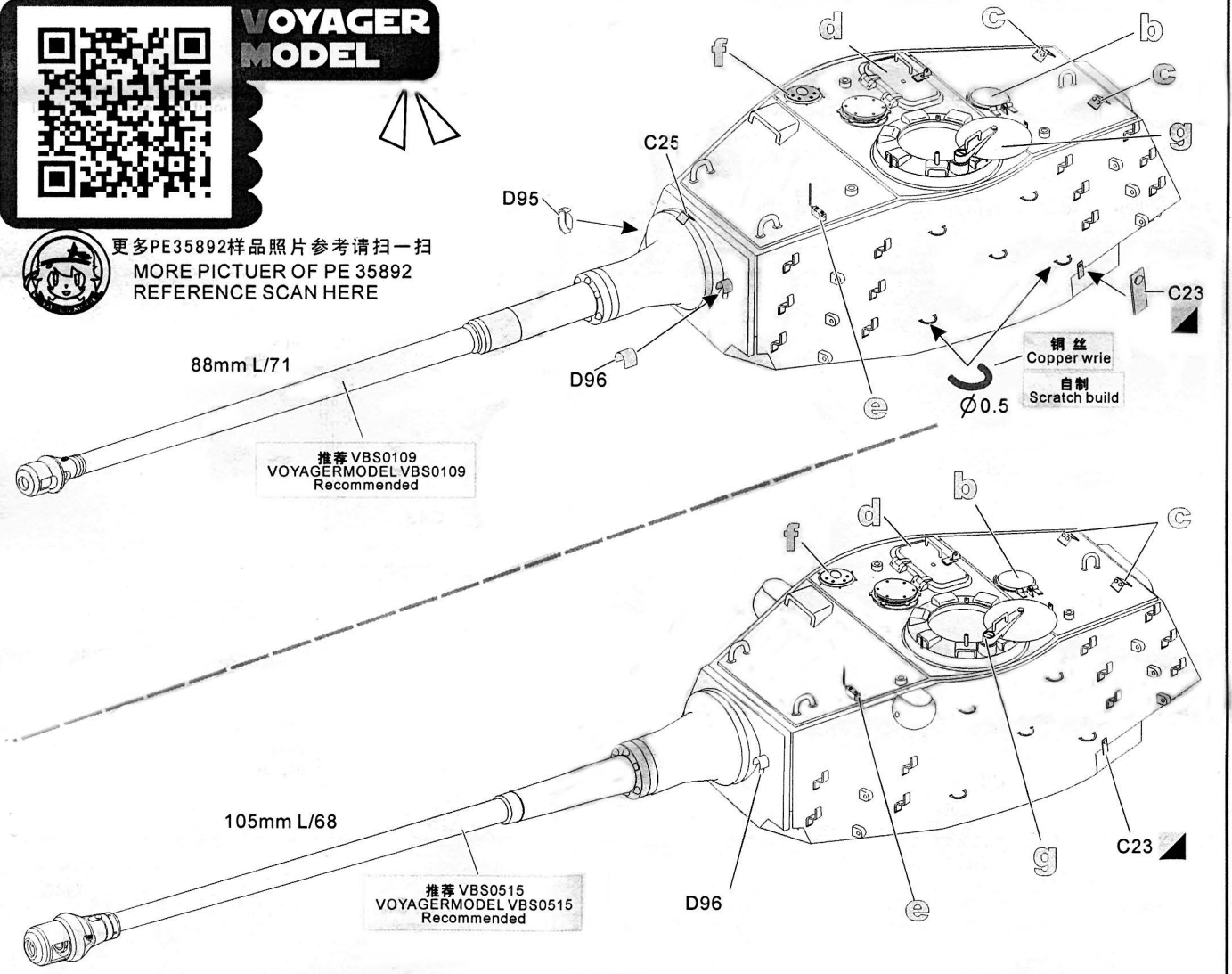
1/35 MILITARY MINIATURE VEHICLE UPGRADE SERIES PE35892



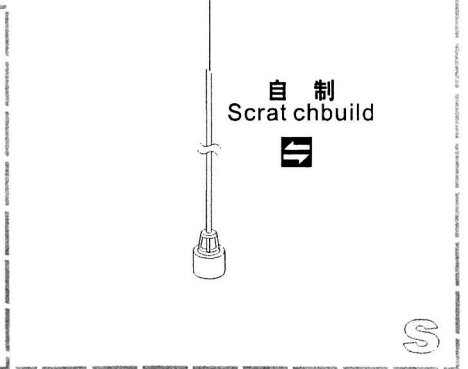
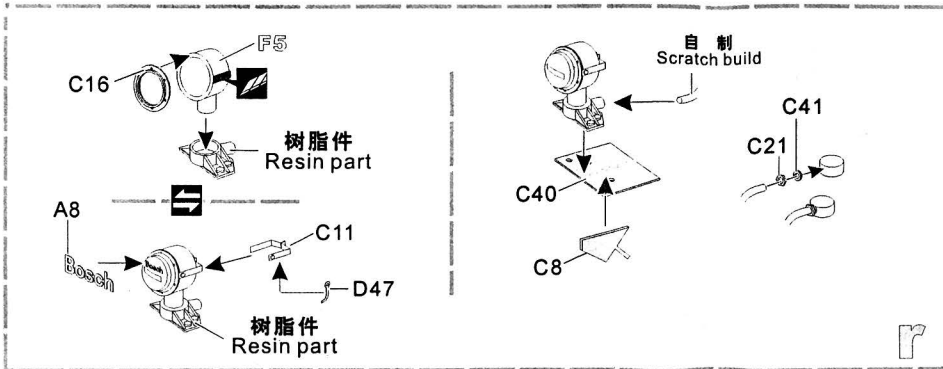
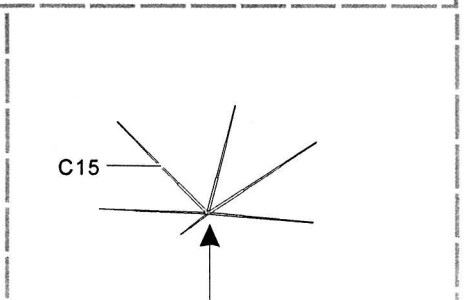
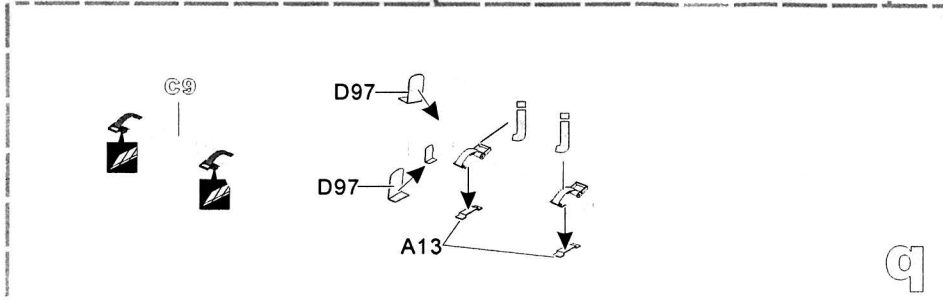
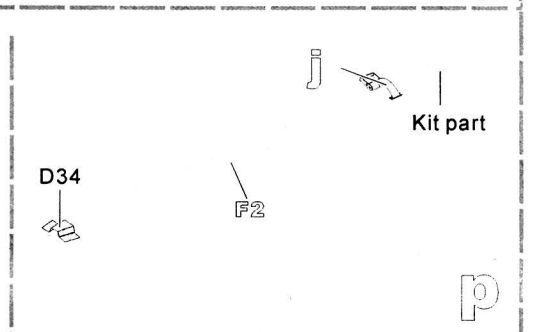
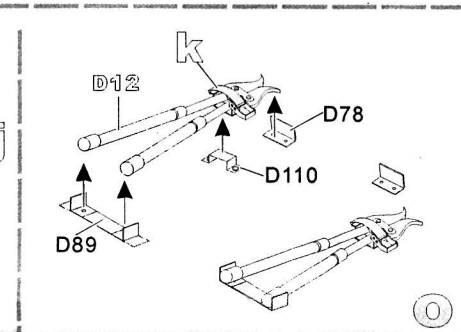
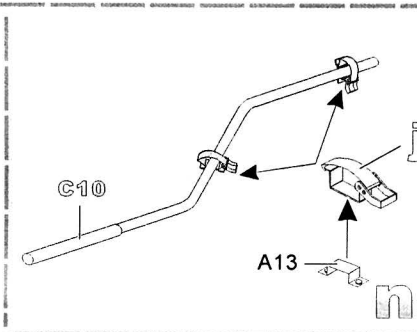
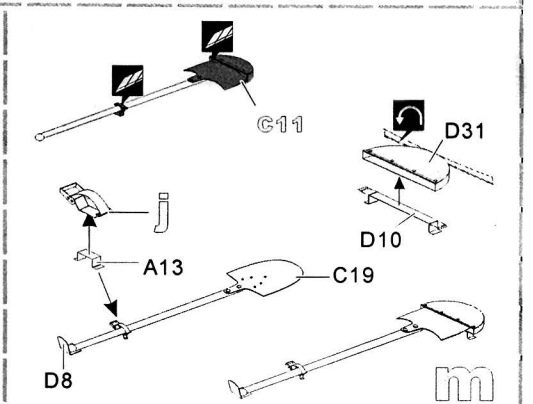
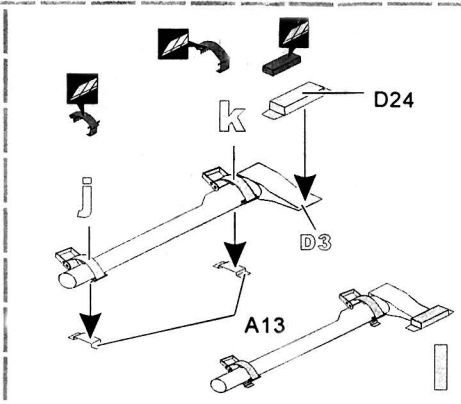
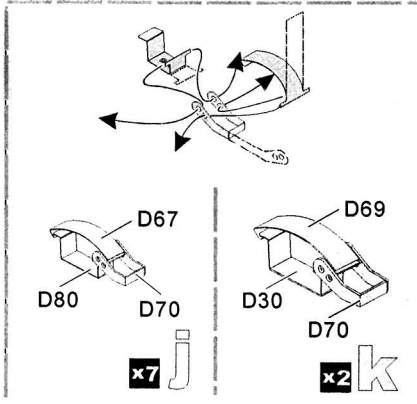
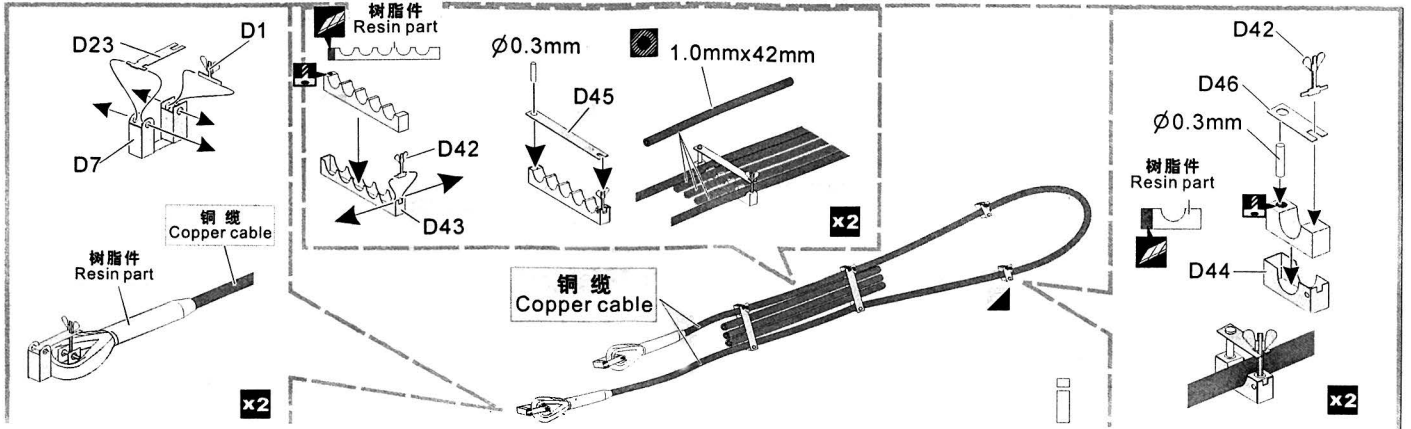
VOYAGERMODEL



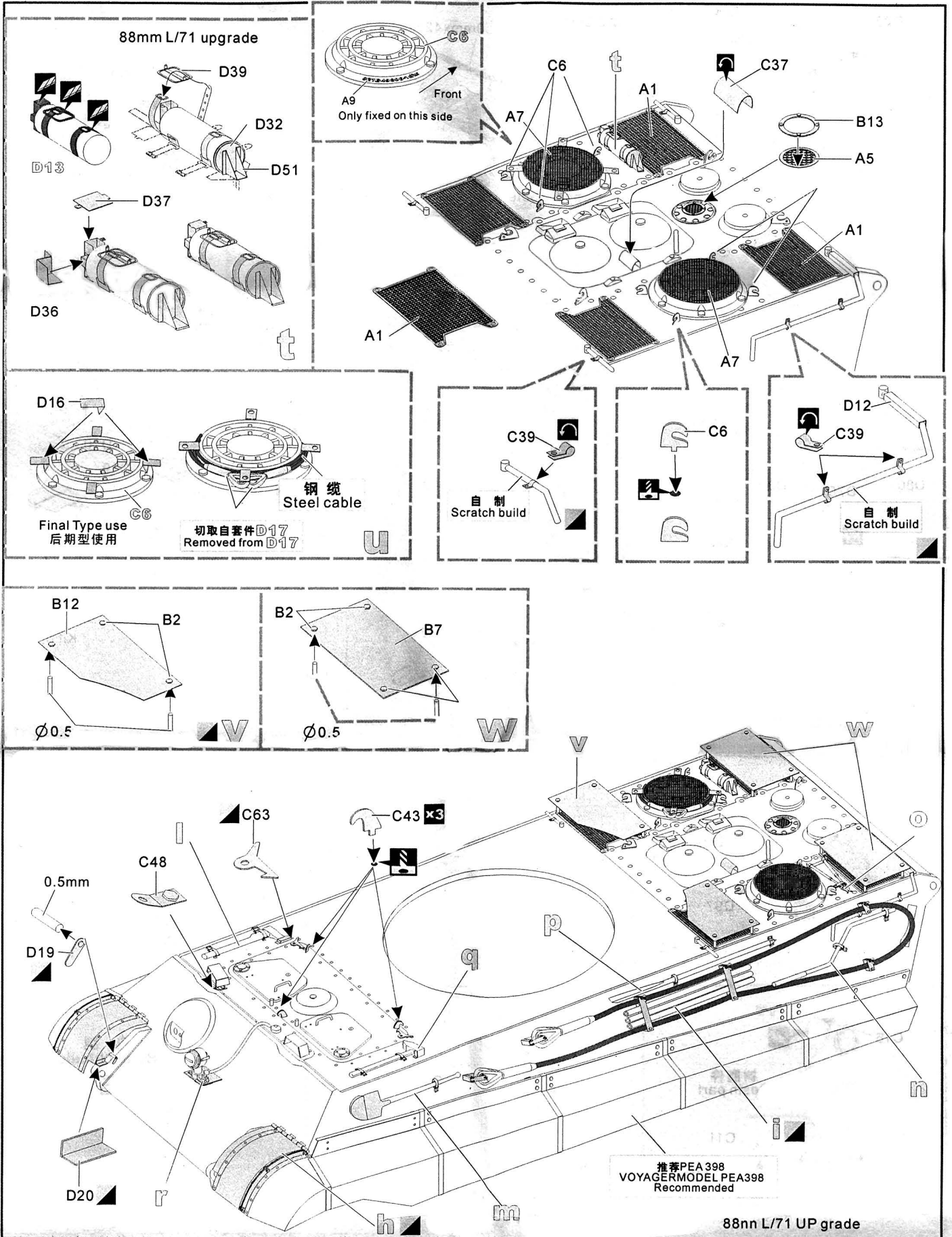
更多PE35892样品照片参考请扫一扫
MORE PICTUER OF PE 35892
REFERENCE SCAN HERE



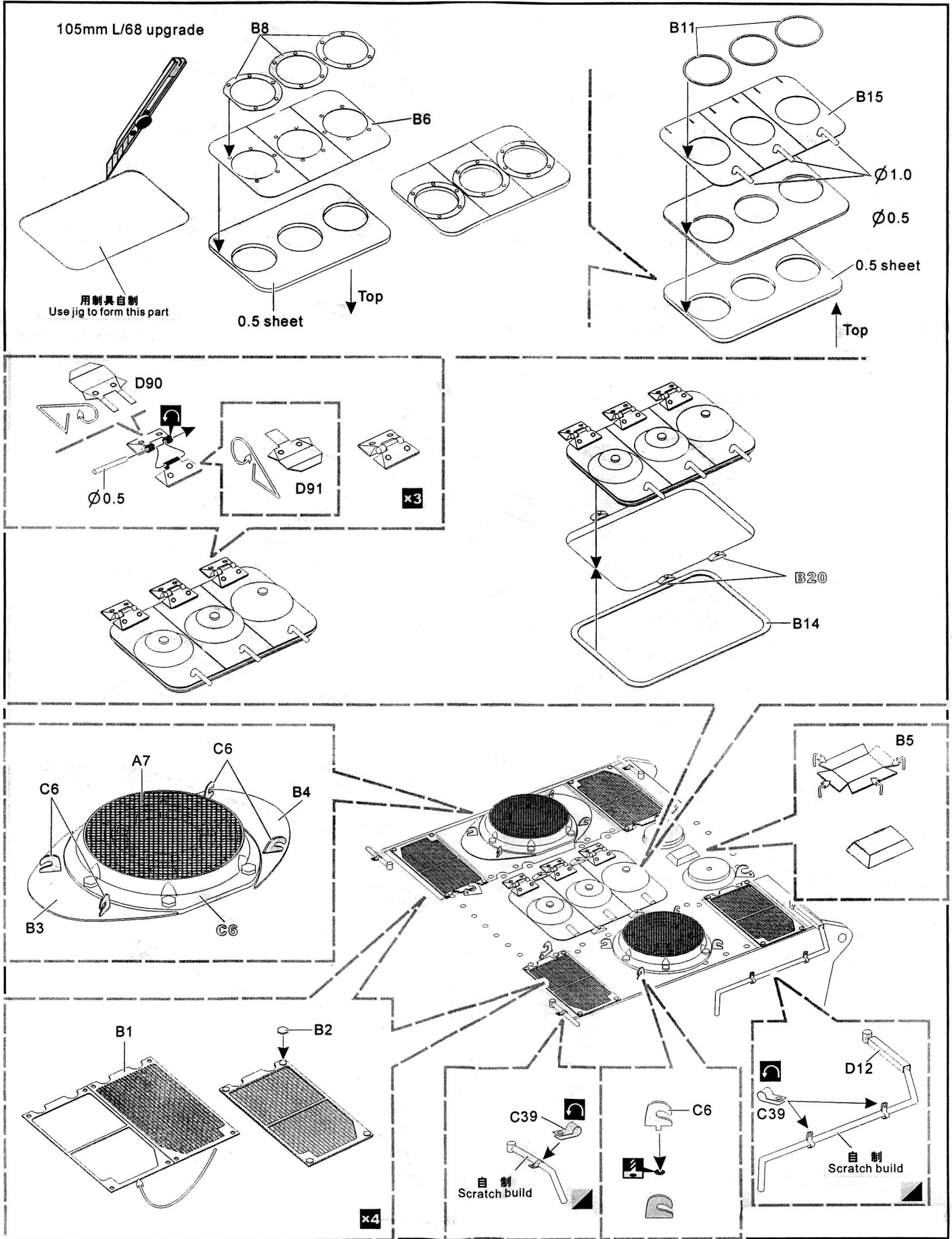
1/35 MILITARY MINIATURE VEHICLE UPGRADE SERIES PE35892



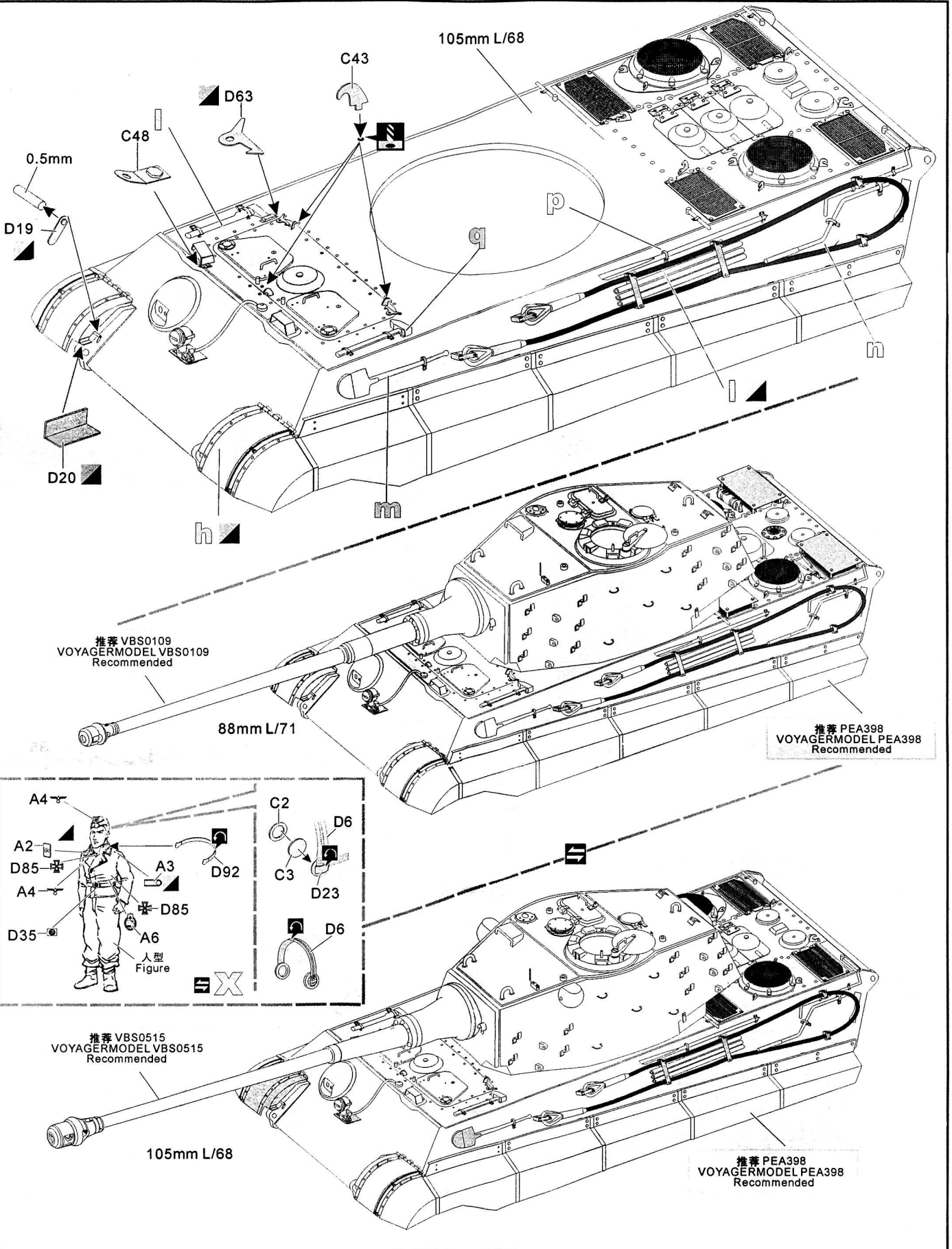
1/35 MILITARY MINIATURE VEHICLE UPGRADE SERIES PE35892



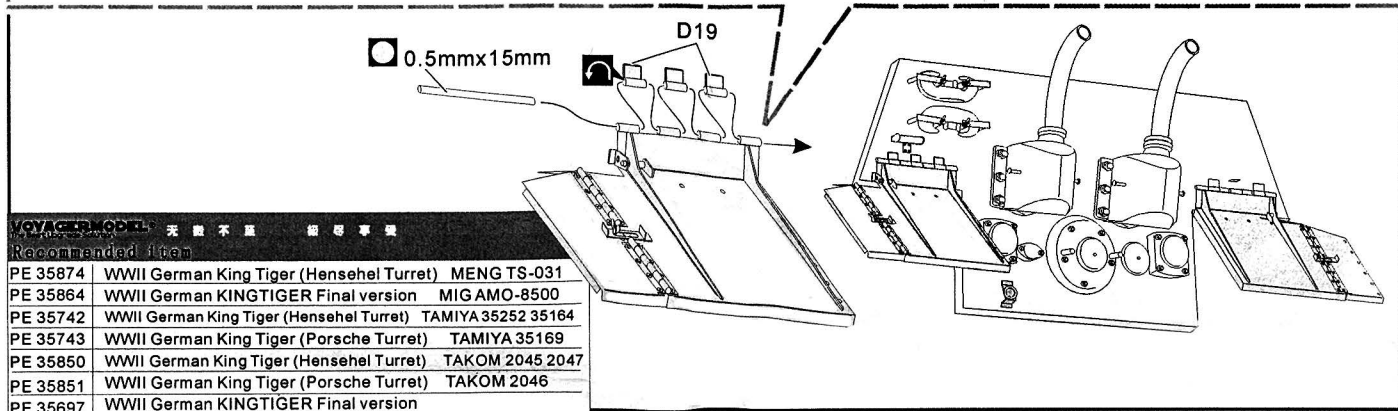
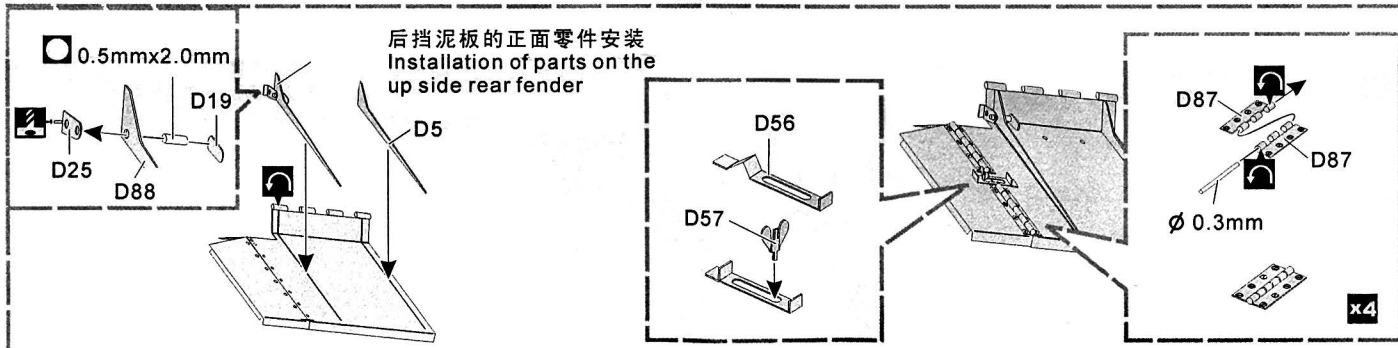
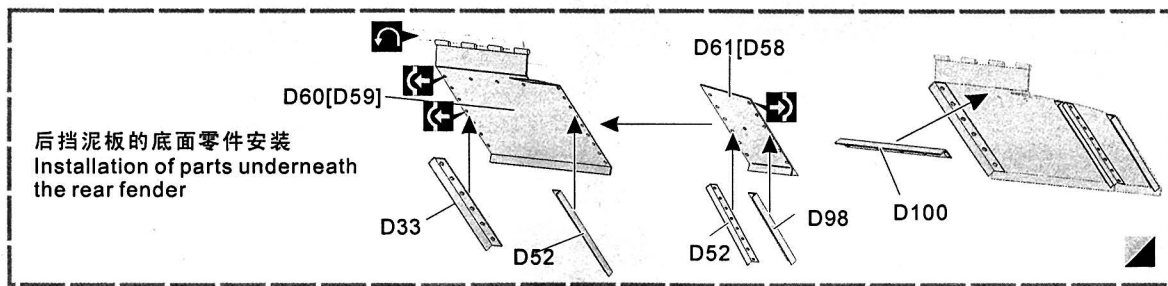
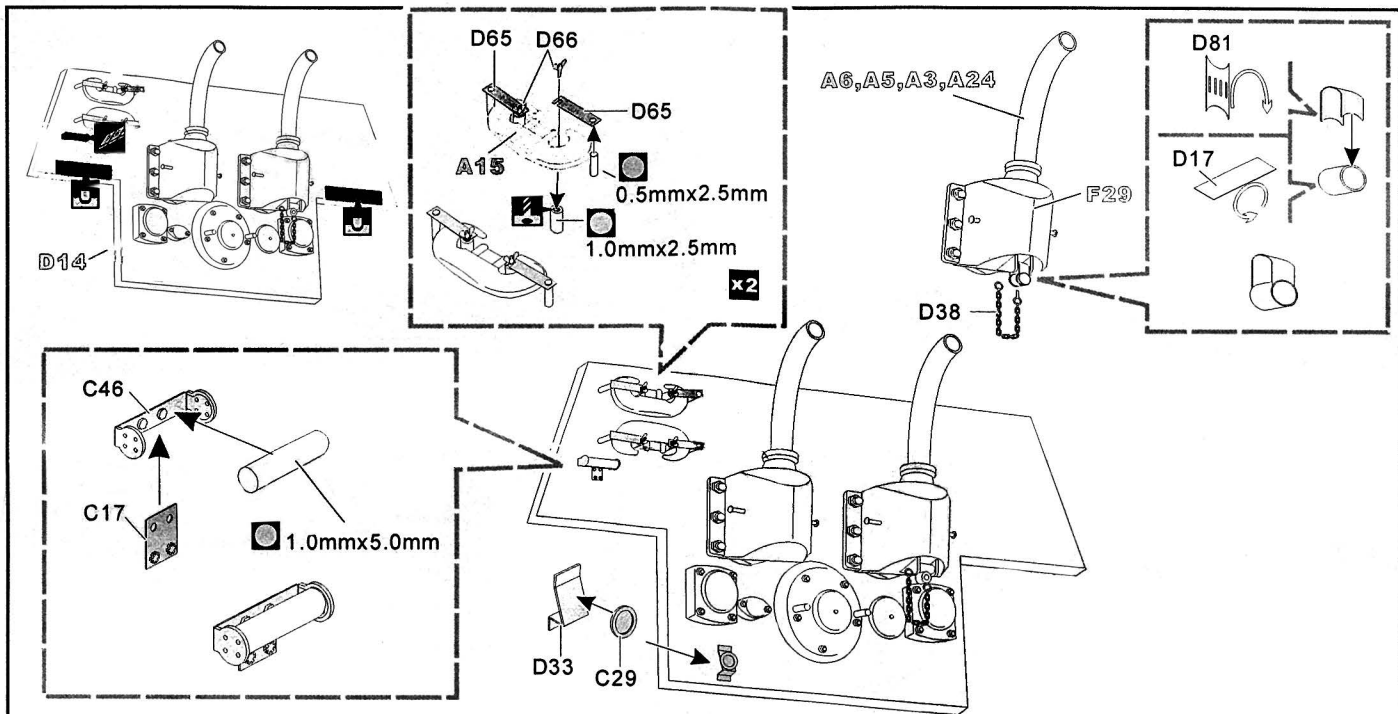
1/35 MILITARY MINIATURE VEHICLE UPGRADE SERIES PE35892



1/35 MILITARY MINIATURE VEHICLE UPGRADE SERIES PE35892



1/35 MILITARY MINIATURE VEHICLE UPGRADE SERIES PE35892



VOYAGERMODEL 沃雅不置 精益求精

Recommended Item

PE 35874	WWII German King Tiger (Hensehel Turret)	MENG TS-031
PE 35864	WWII German KINGTIGER Final version	MIG AMO-8500
PE 35742	WWII German King Tiger (Hensehel Turret)	TAMIYA 35252 35164
PE 35743	WWII German King Tiger (Porsche Turret)	TAMIYA 35169
PE 35850	WWII German King Tiger (Hensehel Turret)	TAKOM 2045 2047
PE 35851	WWII German King Tiger (Porsche Turret)	TAKOM 2046
PE 35697	WWII German KINGTIGER Final version	