

# [ *AirDOC* ]

Aircraft Documentations

Luftwaffe RF4 E Phantom II -  
Norm 83A/B Lizard Camouflage





## RF4 E 35+06, Aufklärungsgeschwader 51 "Immelmann", 1990, Norm 83B camouflage.

Evelin, the name of a pilot's wife, is one of four RF4 Es deployed to Bergström AFB, Texas, USA, in 1990. All aircraft were transferred in the air. This ferry flight became the longest in GAF history with 11,5 hours of flight time. All four RF4 Es were clad in Norm 83B livery.



## RF4 E 35+34, Aufklärungsgeschwader 51 "Immelmann", 1990, Norm 83B camouflage.

Flooter, the name was taken from a near-by lab-dance bar, was another recce bird of RW 51 "I", taking part in a RAM (Reconnaissance Air Meet) in Bergström AB, Texas.

## RF4 E 35+56, Aufklärungsgeschwader 51 "Immelmann", 1990, Norm 83B camouflage.

Wayne was the third aircraft doing the hop to the United States in 1990. After their 11,5 hours ferry flight they did a stop over at Shaw AFB, where the crews stayed several days before continuing on to Bergström.



## RF4 E 35+58, Aufklärungsgeschwader 51 "Immelmann", 1990, Norm 83B camouflage.

Last but not least Dirty Harry, the fourth Bremgarten based RF4 E which took part in the RAM in 1990. The nickname is self explanatory.





**RF4 E 35+74, Aufklärungsgeschwader 52, NATO Tiger Meet 1987, Norm 83B camouflage.**

35+74 and 35+77 were the two participants of RW 52 during the NATO Tiger Meet 1987. They were clad in the recently introduced wrap around camouflage, but retained their older, more colorful wing insignia.



**RF4 E 35+77, Aufklärungsgeschwader 52, NATO Tiger Meet 1987, Norm 83A camouflage.**

35+77 was the second RF4 E being part of NTM 1987. She was painted in Norm 83A camouflage. Due to economical reasons only the fin caps of both aircraft were painted in tiger fashion.



**RF4 E 35+26, Aufklärungsgeschwader 52, Leck 1991, NATO Tiger Meet Norm 83B camouflage.**

For the Tiger Meet in 1991 only one RF4 E from Leck received "tiger" colors. Again for economical reasons and the amount of labour necessary for paint removal, higher echelons decided to reduce special paint schemes to a minimum.



**RF4 E 35+67, Aufklärungsgeschwader 52, Leck 1992, Norm 83A camouflage.**

35+67 was one of the many RF4 Es which were handed over to the Turkish Air Force. She left Germany via Manching, where sensitive equipment was removed, December 12th, 1992.



**RF4 E 35+35, Aufklärungsgeschwader 51 "Immelmann",  
Bremgarten 1987, Norm 83 A camouflage.**

This Bremgarten bird received German national colors on both splinterplates. The occasion, however, is unknown.



**RF4 E 35+28, Aufklärungsgeschwader 51 "Immelmann",  
Baden-Söllingen 1988, Norm 83B camouflage.**

For a TAM (Tactical Air Meet) held at CAF Baden-Söllingen two RW 51 "Immelmann" RF4 Es, 35+28 and 35+29, received special markings. The white Hornets on both auxiliary wing tanks were applied by Canadian ground crew members.



**RF4 E 35+13, Aufklärungsgeschwader 52, Leck 1991,  
Norm 83 A camouflage.**

35+13 was the very first German Air Force combat aircraft to pass the until then magical limit of 5000 flight hours. She is clad in Norm 83 A. Colors used for the state colors of Schleswig-Holstein were white, RAL 5014 tauben blau (dove blue) and RAL 3000 feuerrot (F.S. 21105).



Right side of the 5000 flight hour bird. Be careful when applying the German national colors. The colors used are RAL 1007 chrome yellow, RAL 3000 feuerrot (fire red) and RAL 9005 tief schwarz (deep black). When applying the 5000 flight hours decal, make sure that the demarcation lines of RAL 3000 fire red match exactly the outlines of the white numbers. The angle inbetween these outlines should be 16.5 degrees.





**Auxiliary underwing tanks:**  
These wing tanks and centerline tank should be painted FS 34079 forrest green.

**Remarks:**

With this decal sheet allows you to build any RF4 E Phantom II painted in Norm 83A/B lizard camouflage in Luftwaffe service. Some of the stencils vary in color and position, so check your references carefully, before applying them to your particular aircraft. Numbers or letters in brackets are intended to indicate the decal you have to use on the other side of the model.

The Norm 83A/B camouflage schematic consists of three colors, taken from the Federal Standard 595a and RAL color system. The fuselage colors form a soft demarcation line, consistin of RAL 7021 schwarz grau (black grey), RAL 6003 oliv grün (olive green) and FS. 34079 forrest green. Whenever possible we tried to provide FS color numbering as substitute for the RAL numbers in use with most Luftwaffe camos.

Standard armament for GAF RF4 Es is: 1 ALQ 119 attached to one of the inner wing pylons and an AN/ALR 38 chaff dispenser on the other inner wing pylon. For air-to-ground missions, two TERs with either 3 Mk.82, Bl. 755 or Matra FE 25 bombs were carried. German RF4 Es couldn't carry any missiles for self defence.

For more information check our new publication: Luftwaffen Phantoms - Die McDonnell Douglas F4 Phantom II im Dienst der Bundesluftwaffe. The 200-page book contains about 450 hitherto unpublished photographs and drawings in full color with bi-lingual captions in English/German and English summary.

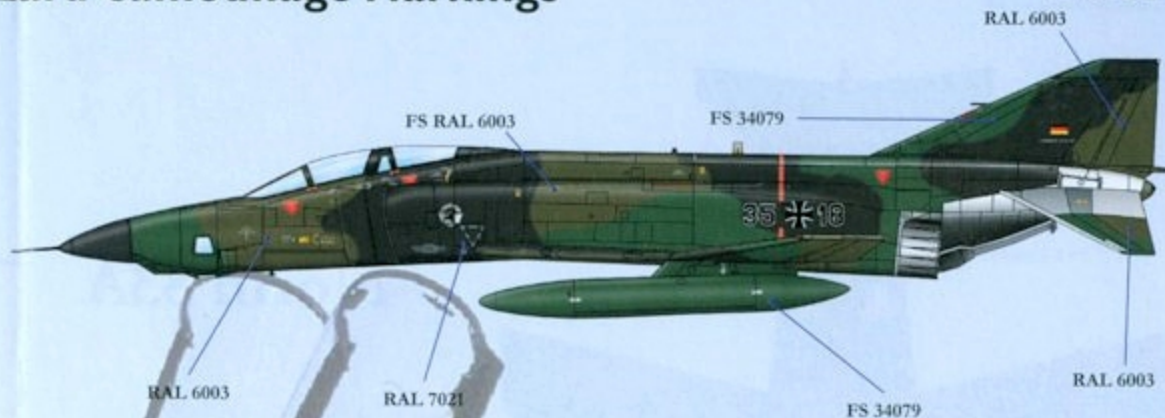


# RF4 E Norm 83A/B - Lizard Camouflage Markings

M48-02



## Norm 83B



**Auxiliary underwing tanks:**  
These wing tanks and centerline tank should be painted FS 34079 forest green.



### Remarks:

With this decal sheet allows you to build any RF4 E Phantom II painted in Norm 83A/B lizzard camouflage in Luftwaffe service. Some of the stencils vary in color and position, so check your references carefully, before applying them to your particular aircraft. Numbers or letters in brackets are intended to indicate the decal you have to use on the other side of the model.

The Norm 83A/B camouflage scheme consists of three colors, taken from the Federal Standard 595a and RAL color system. The fuselage colors form a soft demarcation line, consistin of RAL 7021 schwarz grau (black grey), RAL 6003 oliv grün (olive green) and FS 34079 forrest green. Whenever possible we tried to provide FS color numbering as substitute for the RAL numbers in use with most Luftwaffe camos.

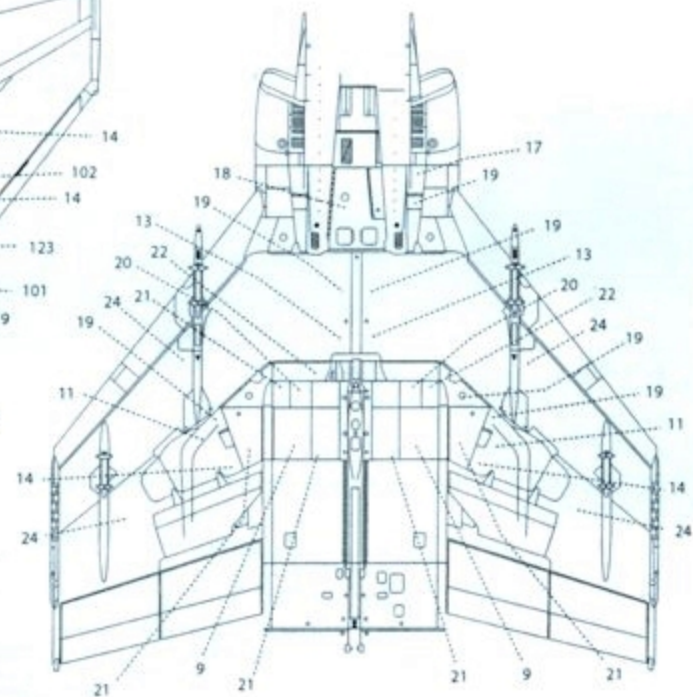
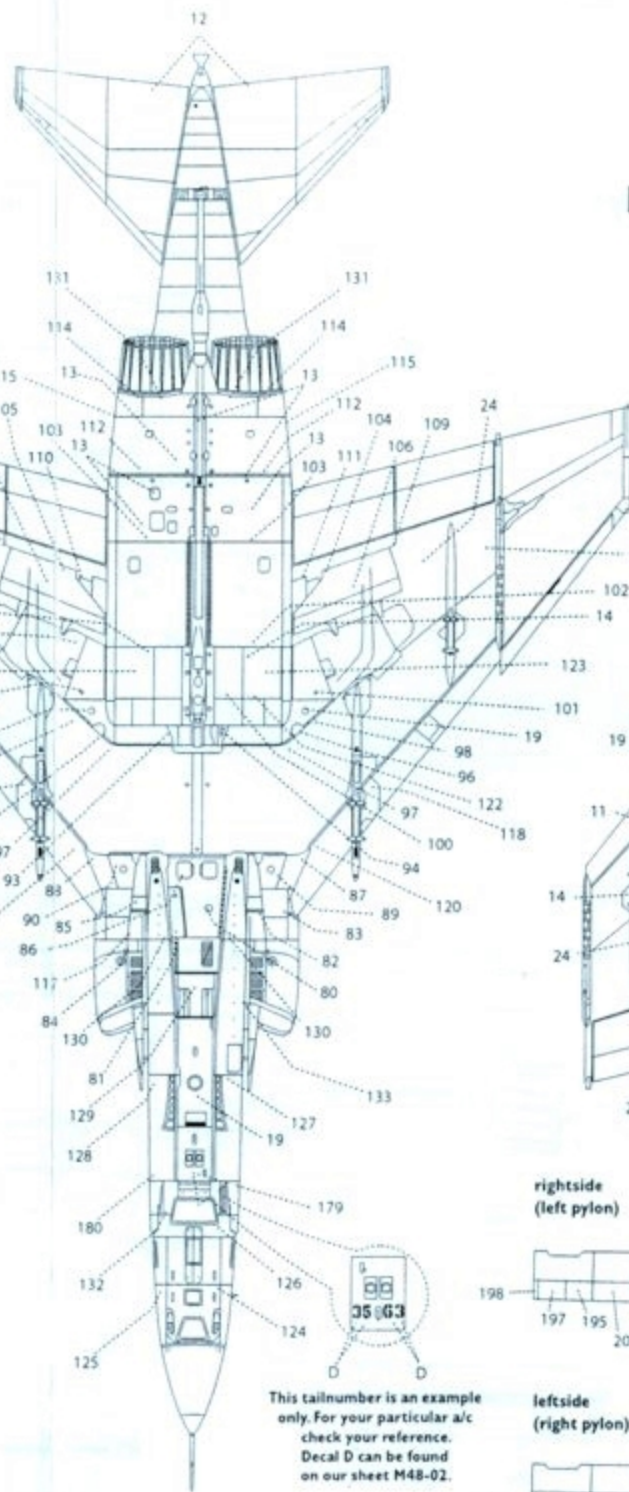
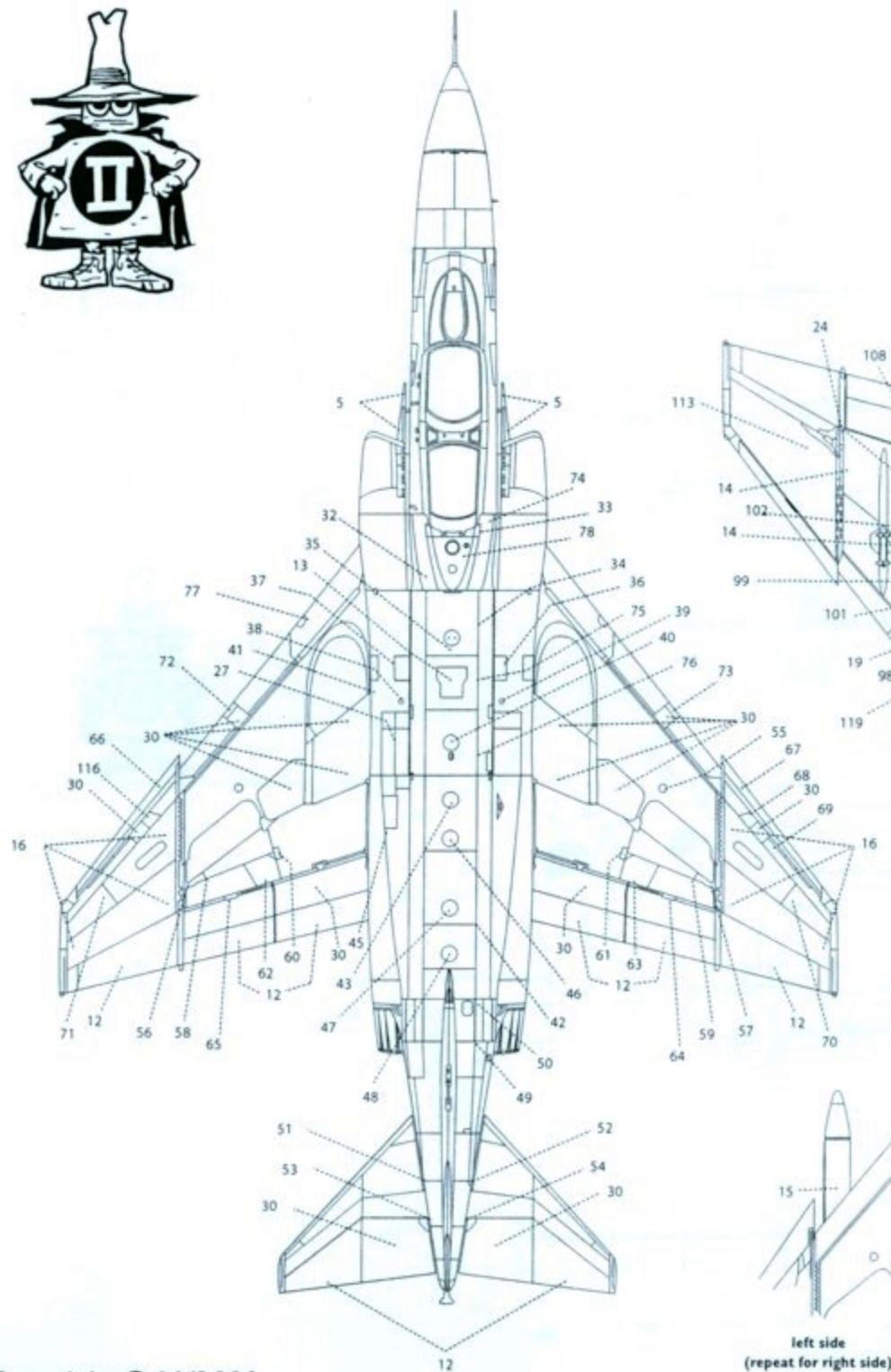
Standard armament for GAF RF4 Es is: 1 ALQ 119 attached to one of the inner wing pylons and an AN/ALR 38 chaff dispenser on the other inner wing pylon. For air-to-ground missions two TERS with either 3 Mk.82, Bl. 755 or Matra FE 25 bombs were carried. German RF4 Es couldn't carry any missiles for self defence.

For more information check our new publication: Luftwaffen Phantoms - Die McDonnell-Douglas F4 Phantom II im Dienst der Bundesluftwaffe. The 200-page book contains about 450 hitherto unpublished photographs and drawings in full color with bilingual captions in English/German and English summary.

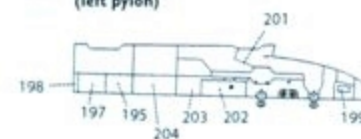




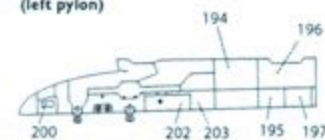
**Luftwaffe RF4 E Phantom II -  
Norm 83A/B Stencils and Walkways**



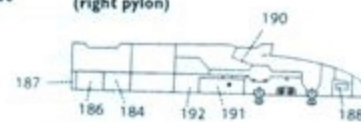
rightside  
(left pylon)



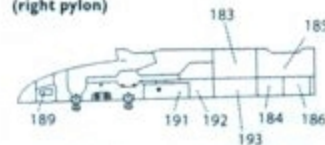
leftside  
(left pylon)



leftside  
(right pylon)



rightside  
(right pylon)



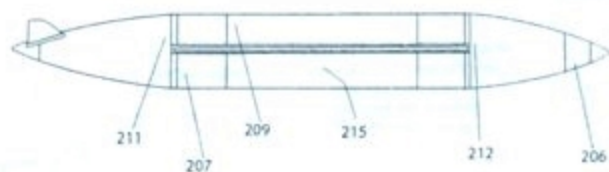
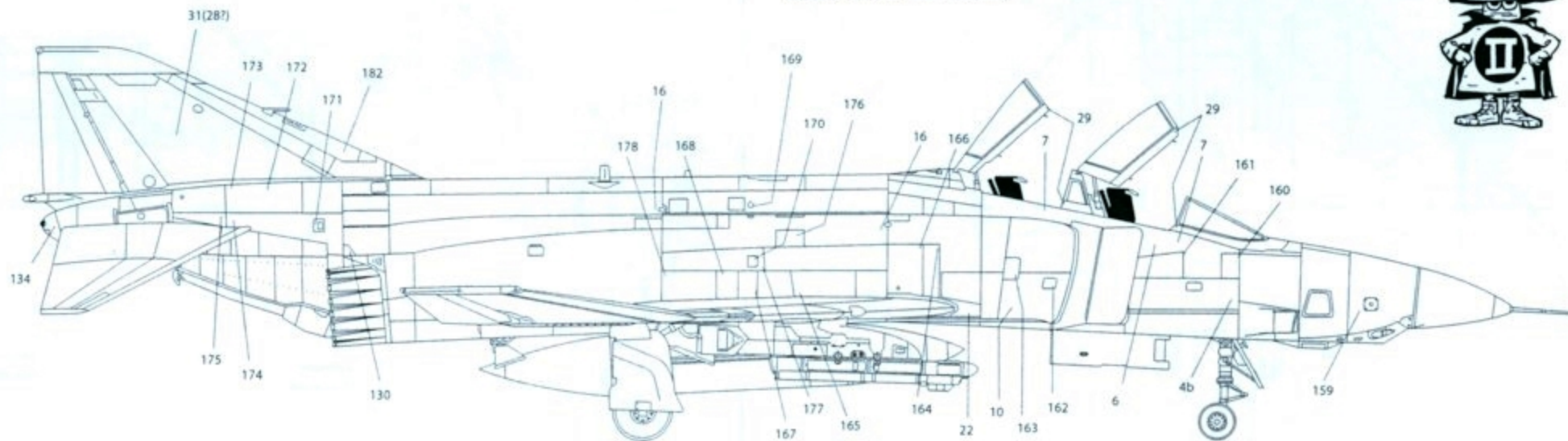
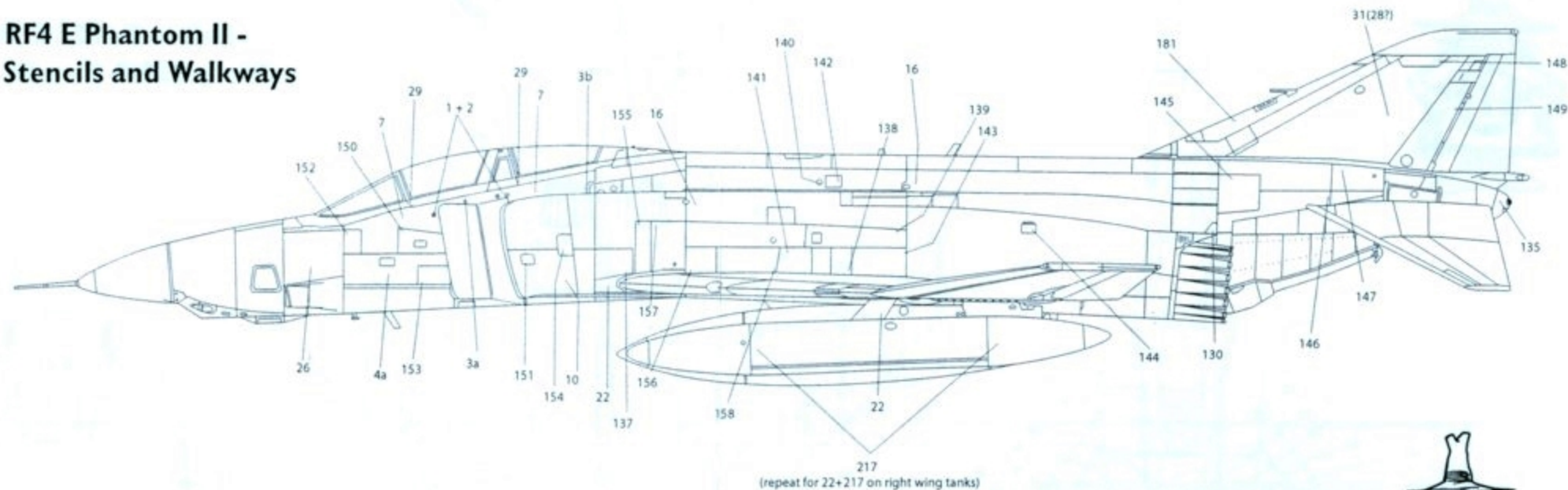
This tailnumber is an example only. For your particular a/c check your reference. Decal D can be found on our sheet M48-02.



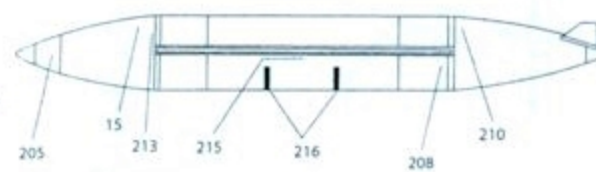
left side  
(repeat for right side)



# Luftwaffe RF4 E Phantom II - Norm 83A/B Stencils and Walkways



HPC center line tank





# Remarks

This 1/48 AirDOC decal set allows you to build nearly every Luftwaffe RF4 E in Norm 83A/B lizard camouflage which was in service with German Air Force active flying units. This set includes enough markings for two and stencils for one RF4 F.

We suggest to use the Hasegawa's F4 J kit, No. PT 6 as basic model and to convert it with Paragon's RF4 B/C/E Early Profile conversion set no. 48087.

To build a correct German Luftwaffe RF4 E the following information is necessary:

1. RF4 Es feature non slotted stabilators. These can be achieved by sanding down the slots on the model's tail plane and rescribing the panel lines.
2. Two Martin Baker Mk. GH 7(A) are used with Luftwaffe RF4 Es which feature a different harness. Contrary to the F4 F the F4 E type oxygen system was installed to the cockpit side consoles.
3. By the mid 1980s the lower UHF antenna on the main front landing gear door was removed. The blade antenna of the XT-2000 emergency radio is kept on the rear end of the upper right fuselage .
4. During the early 1980s an update program was conducted to extend the RF4 E's service life with the Luftwaffe, incorporating TERs for the inner wing pylons and a visor added to the windshield.
5. Luftwaffe Phantoms only carry TERs (Triple Ejector Racks) for air-to-ground missions, no MERs were obtained. Normally French Matra FE 25 retarded bombs, MK. 82 slick bombs and British BL.755 cluster bomb units were used.
6. For self defence an ALQ 119 ECM-pod is carried on one of the inner wing pylons during reconnaissance missions.
7. Additionally to the onboard AN/APD 11 SLAR antenna a UPD 4 antenna inside a converted Royal Jet centreline tank can be carried under the centreline station.
8. The instrument panels differ in appearance from their "fighter" counterparts, thus, check your reference properly!
9. German RF4 Es do not have formation light stripes on the front fuselage, air intakes and tail.

To build a proper RF4 E the following update kits are necessary for the serious modeller:

Hasegawa Weapons Set A

Flightpath RAF BL. 755 Cluster Bomb set

Paragon F4 Phantom Flaps set 4883

True Details Bulged Wheel set 48043

To apply the decals cut each subject carefully from the backing paper. Do not cut away the excess clear film. Dip the decal into water for about 20 seconds and wait until the decal slides easily on the backing paper. Do not pull or push the decal before the adhesive has completely dissolved, otherwise it might be ruined. You may use a setting solution but this is not necessary. After the decal is applied to the model's surface, wait several hours until it has set and dried properly. Do Not Touch It Prior! Depending on the surface's quality, a gloss varnish should be sprayed onto the model prior to the application of the decals so the clear excess film will disappear properly.

Happy Decaling!

**This set is for the experienced modeller only and should be kept out of reach of little children. Not suited for children under the age of 14.**