

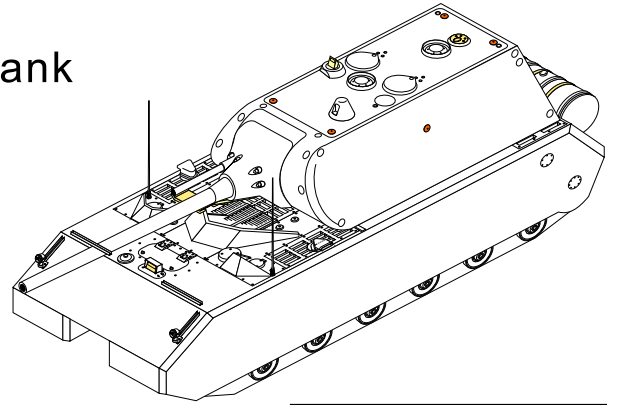
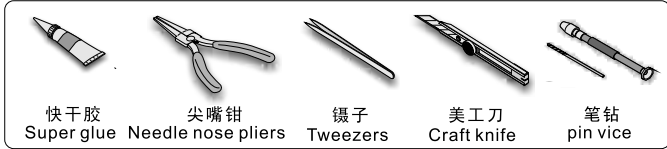
1/35 MILITARY MINIATURE VEHICLE UPGRADE SERIES PE35881

WWII German MAUS Super heavy tank

二战德军鼠式超重型坦克改造件

[For takom 2049 2050]

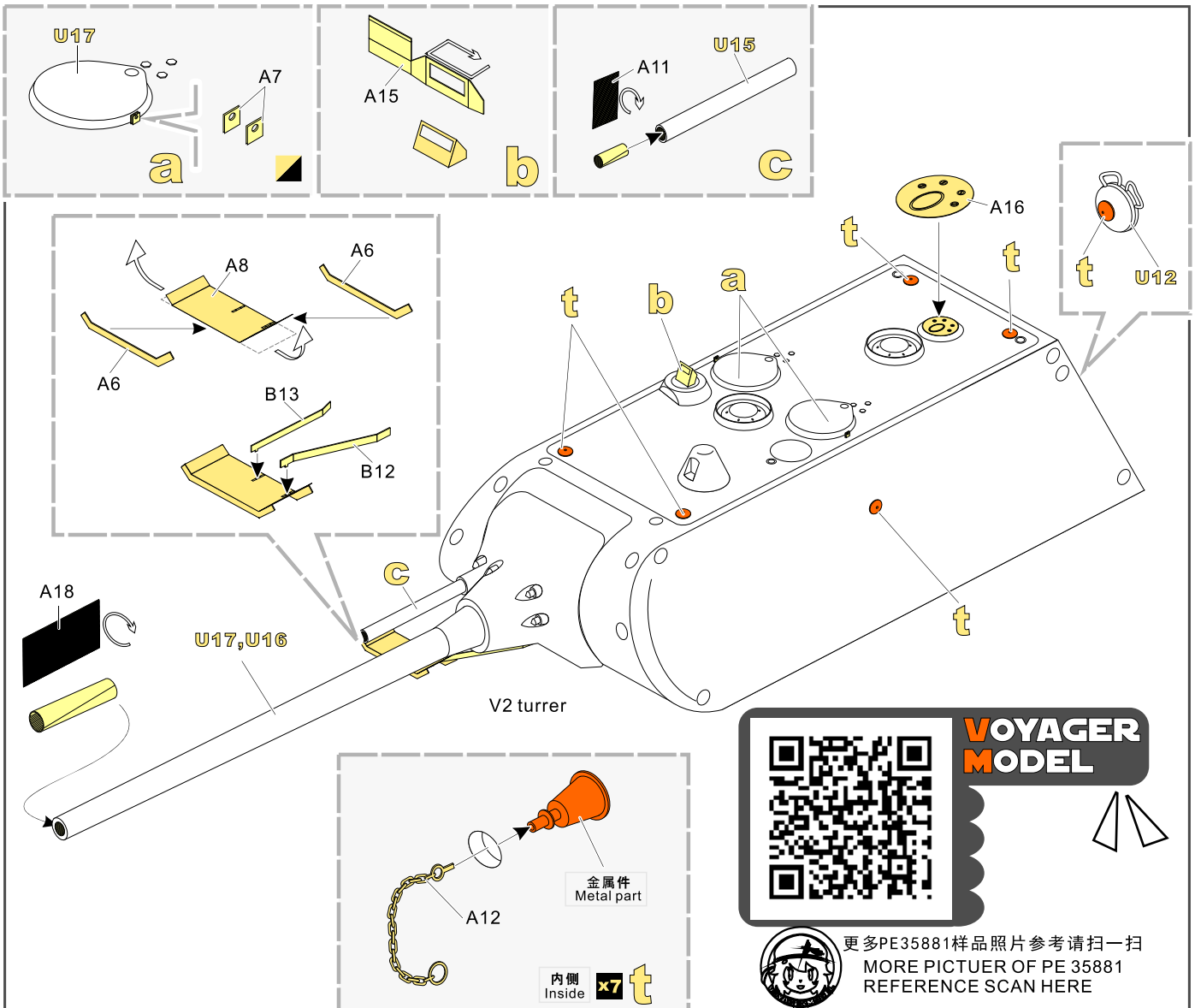
■ 推荐使用工具 RECOMMENDED TOOLS



- ↑ 安装
install
- ↩ 折叠
bend
- A1**
改造件零件编号
PE/resin part number
- B12**
原零件编号
kit part number
- C22**
被替换的原零件编号
replaced kit part number
- 另一侧相同制作
repeat on opposite side
- ✂ 切除
remove
- 🔪 打磨
grind off
- 📐 弧度卷曲
radial bending
- ✖**x2**
制作若干组
multiple assembly
- ⇄ 选择安装
alternative
- 🔧 钻孔
drill
- 📌 用胶棒制作
make from plastic rod

用尖端在凹槽处冲压
use penpoint to press on the dent

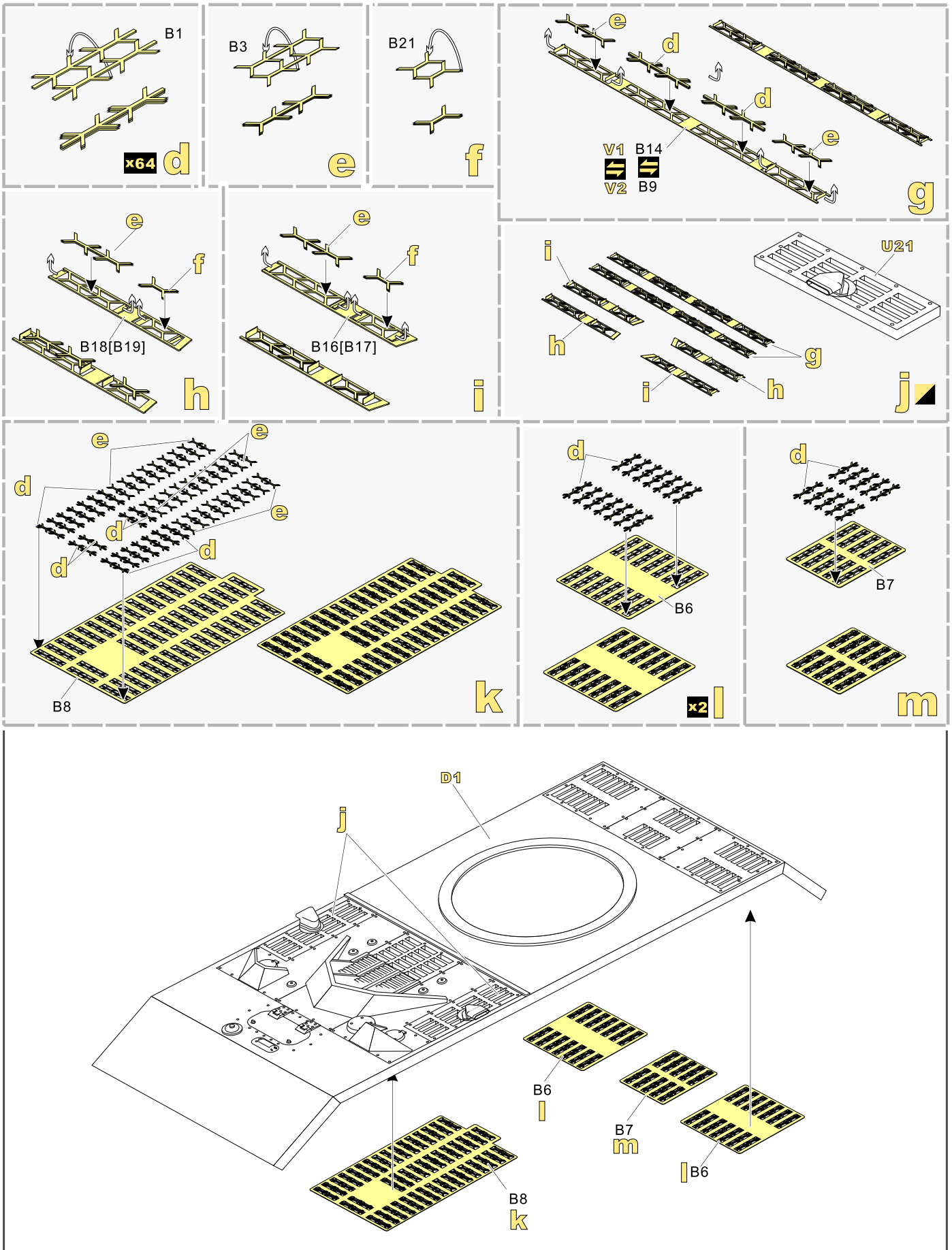
蚀刻片零件内侧面向上
Put the part upside down
用笔尖在凹槽处刺
Use penpoint to press on the dent



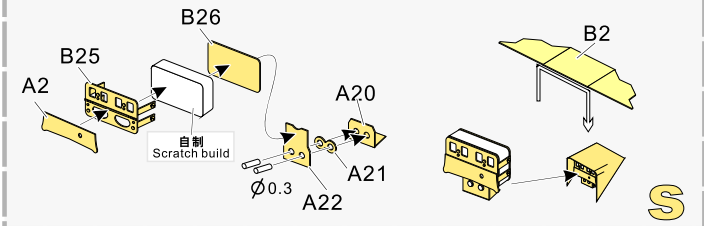
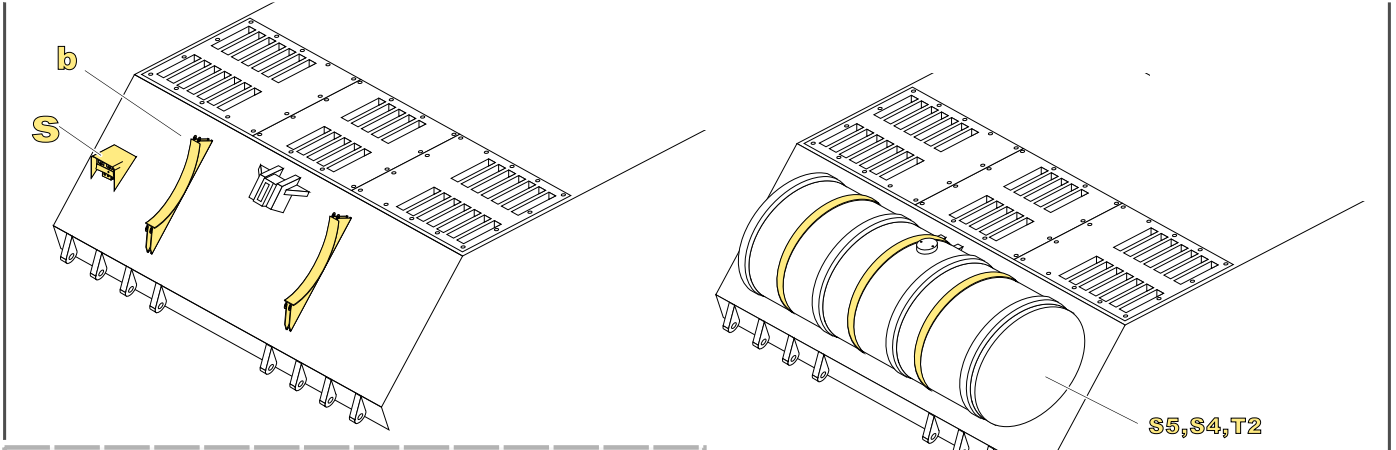
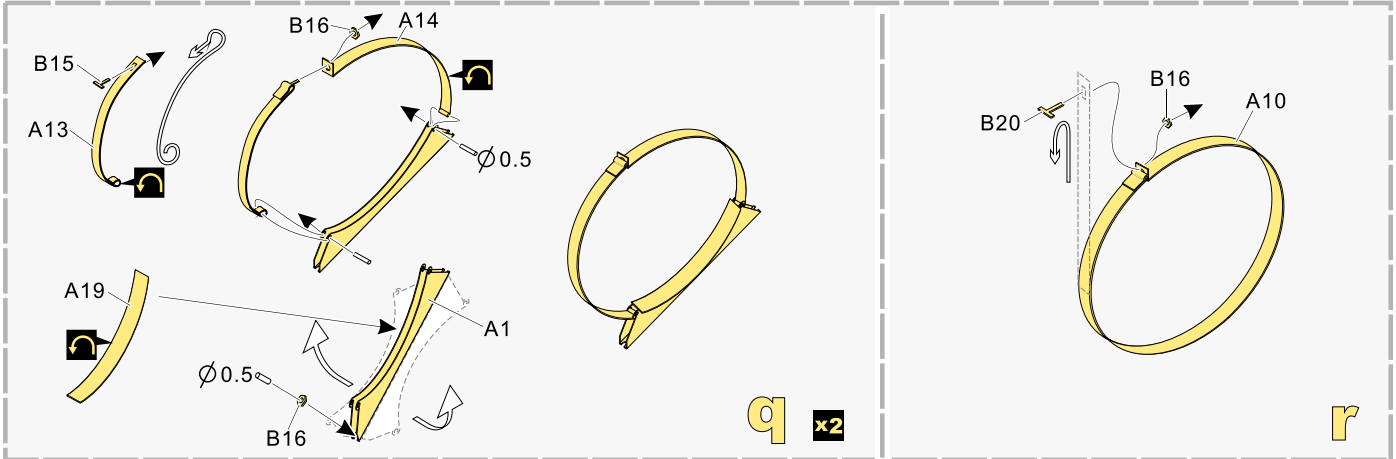
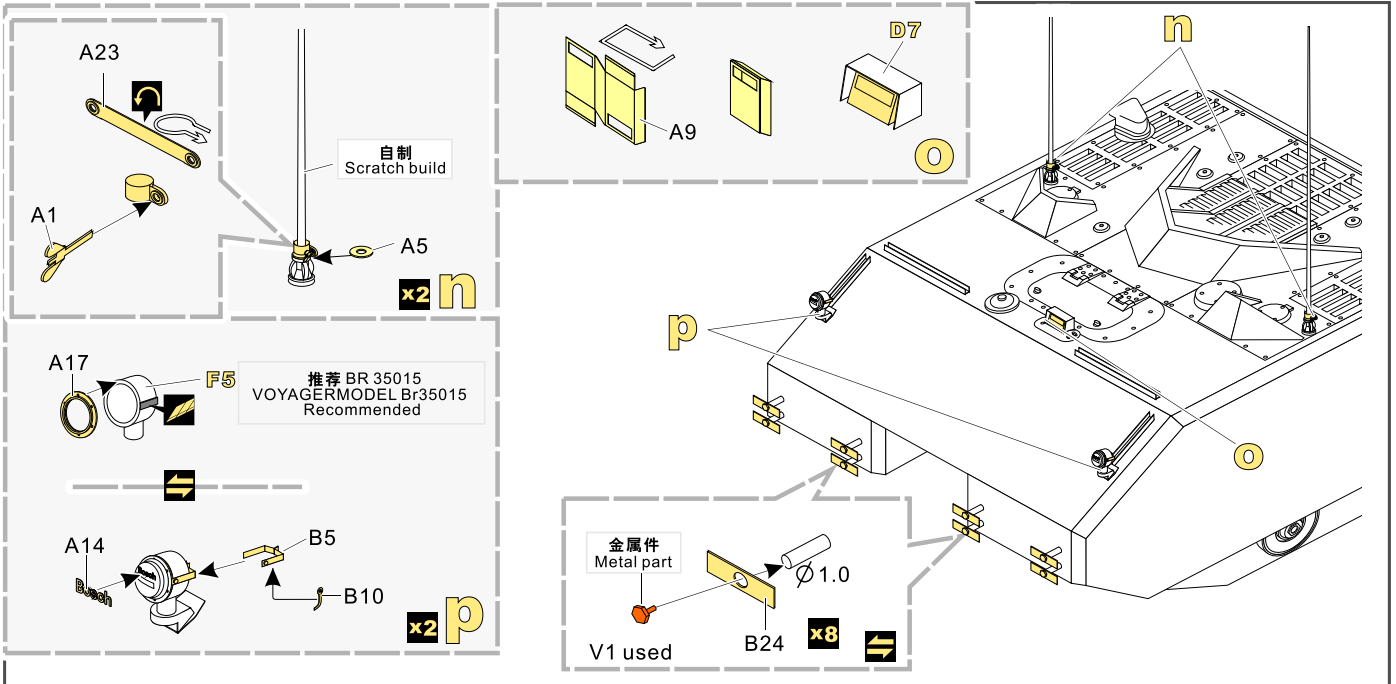
VOYAGER MODEL

更多PE35881样品照片参考请扫一扫
MORE PICTUER OF PE 35881
REFERENCE SCAN HERE

1/35 MILITARY MINIATURE VEHICLE UPGRADE SERIES PE35881



1/35 MILITARY MINIATURE VEHICLE UPGRADE SERIES PE35881



VOYAGERMODEL[®] 无微不至 极致享受
Recommended item
PE 35869 WWII German Panther II tank basic
PE 35077 WWII German MAUS Super heavy tank