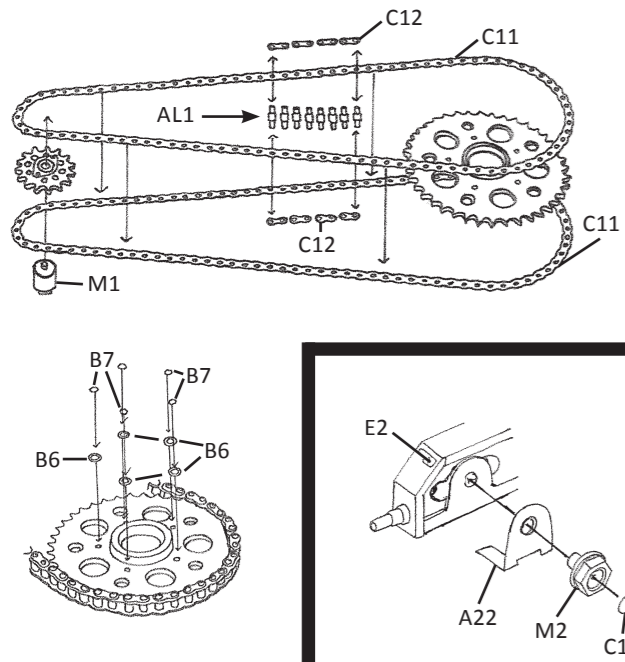
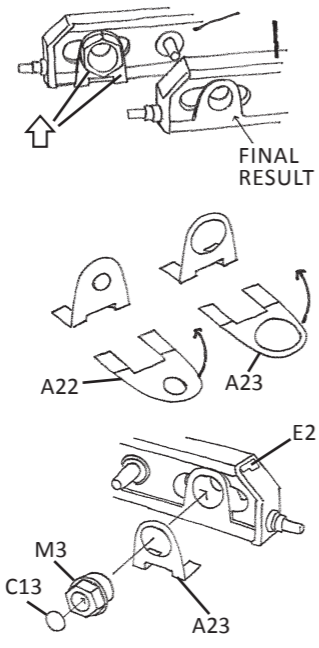


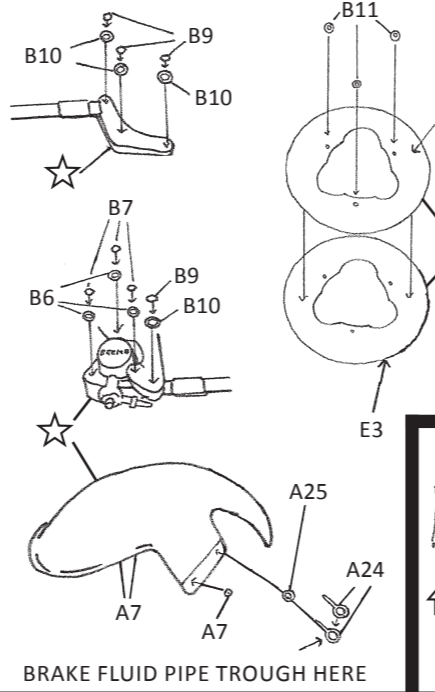
CHAIN ASSEMBLING



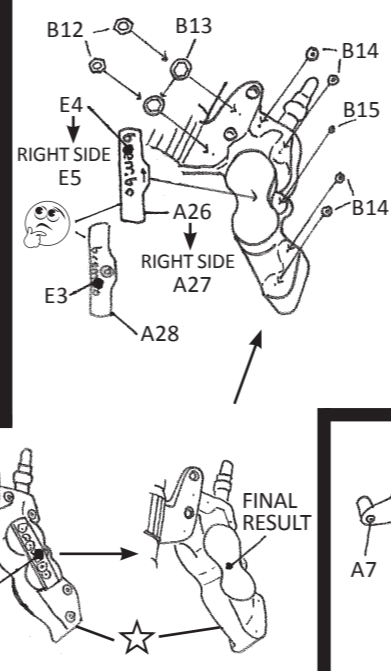
REAR FORK



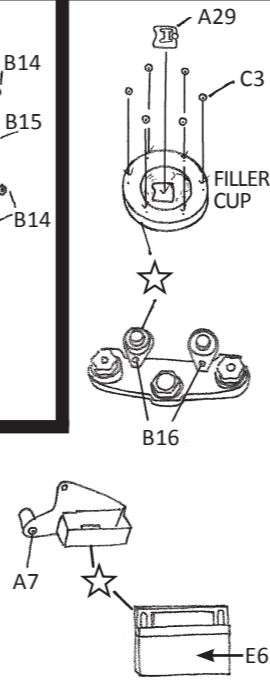
REAR BRAKE AND DISK



FRONT CALIFER



GENERAL



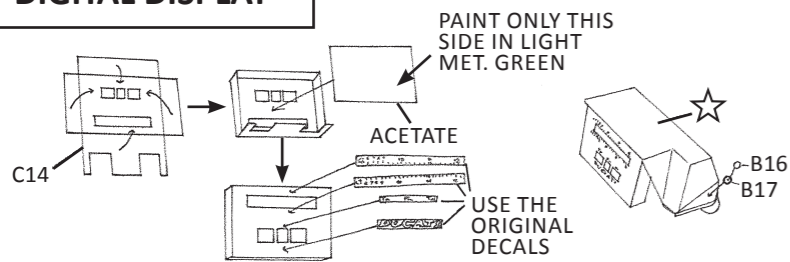
DUCATI 888 SBK 1992

Cod. GB12-M02/A
Detail-up Set compatible with Tam.14063

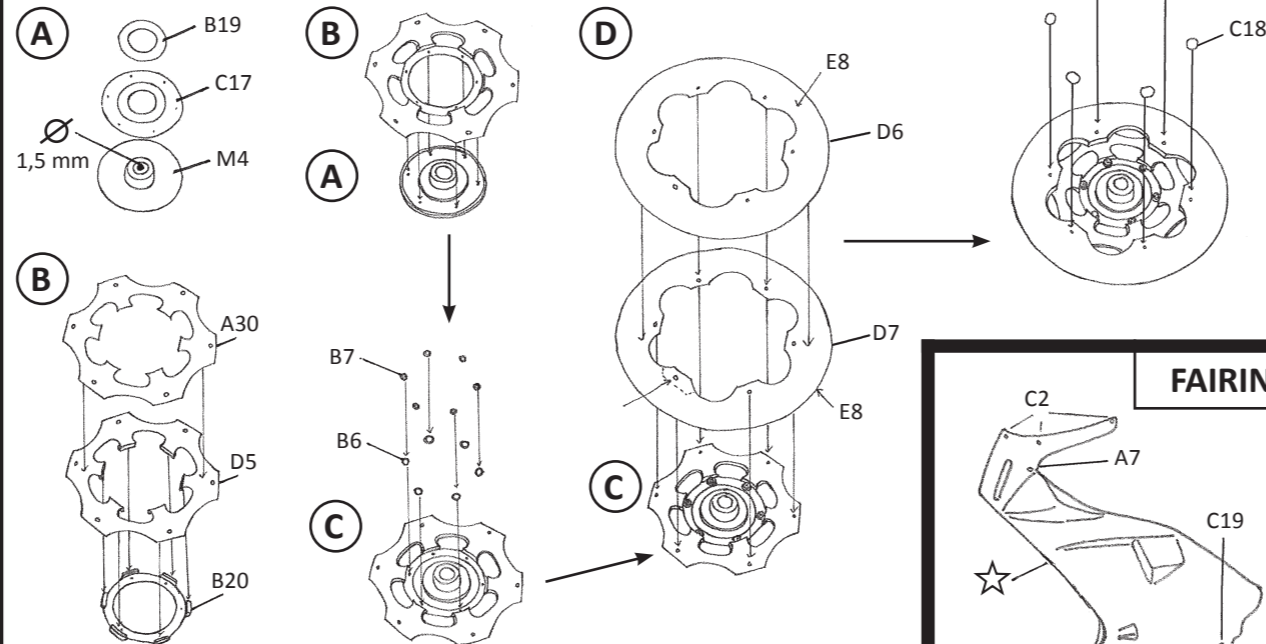


www.gbmodels.it

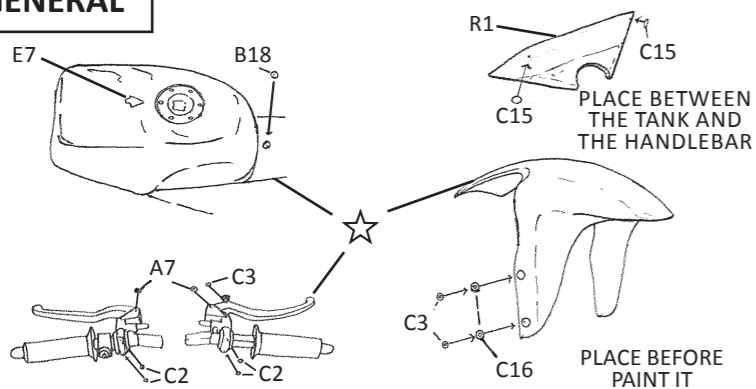
DIGITAL DISPLAY



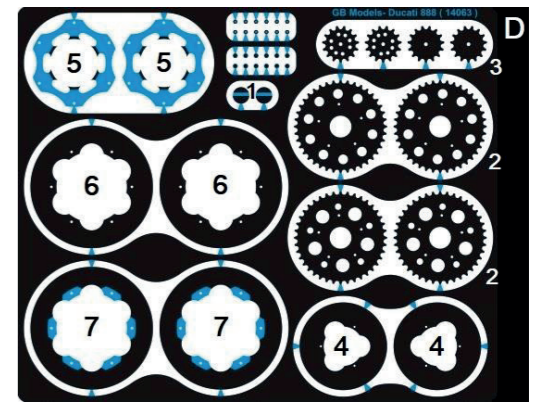
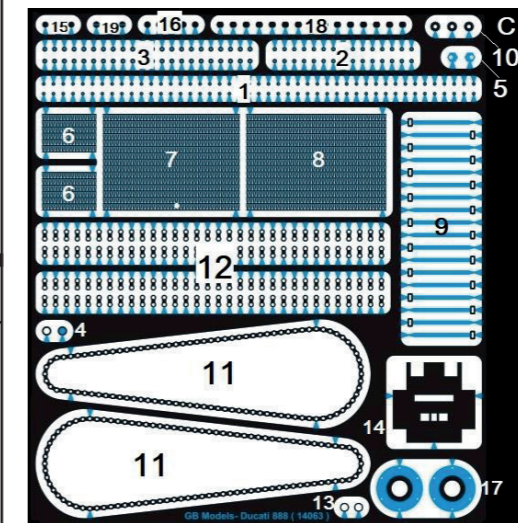
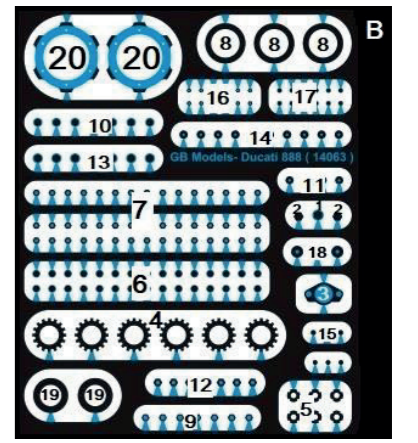
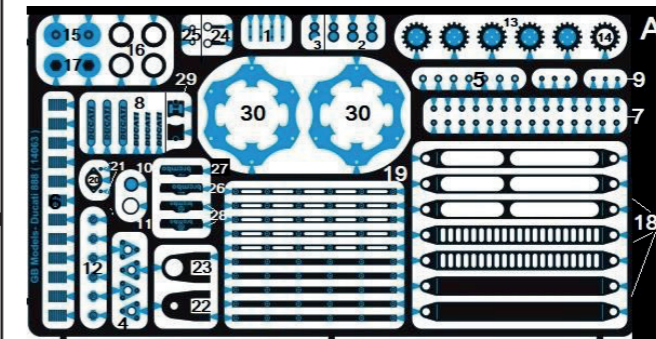
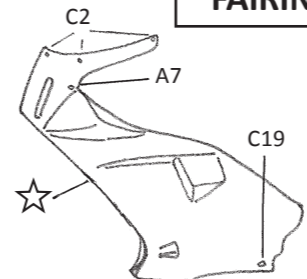
FRONT CARBON DISK

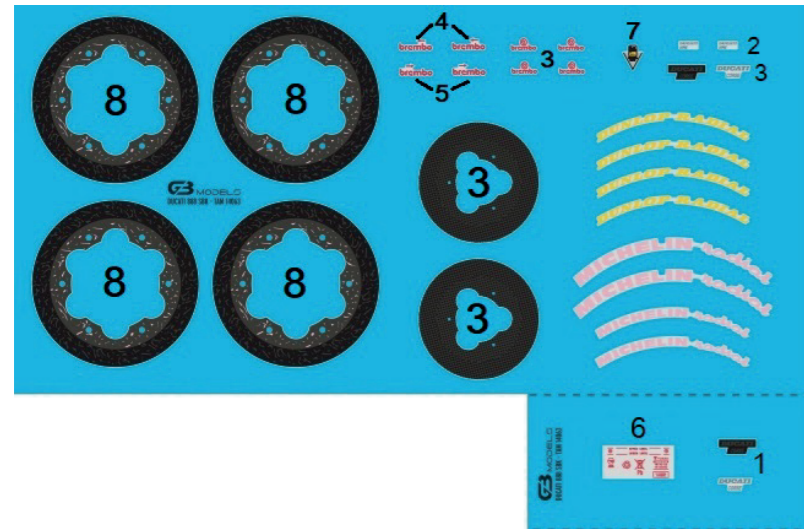


GENERAL



FAIRING

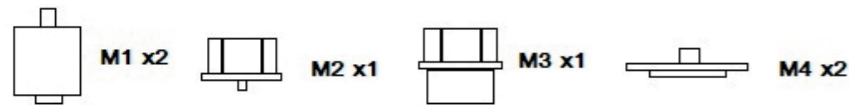




TYRE DECALS
MAKE YOUR CHOICE

E

White metal parts



Aluminium parts

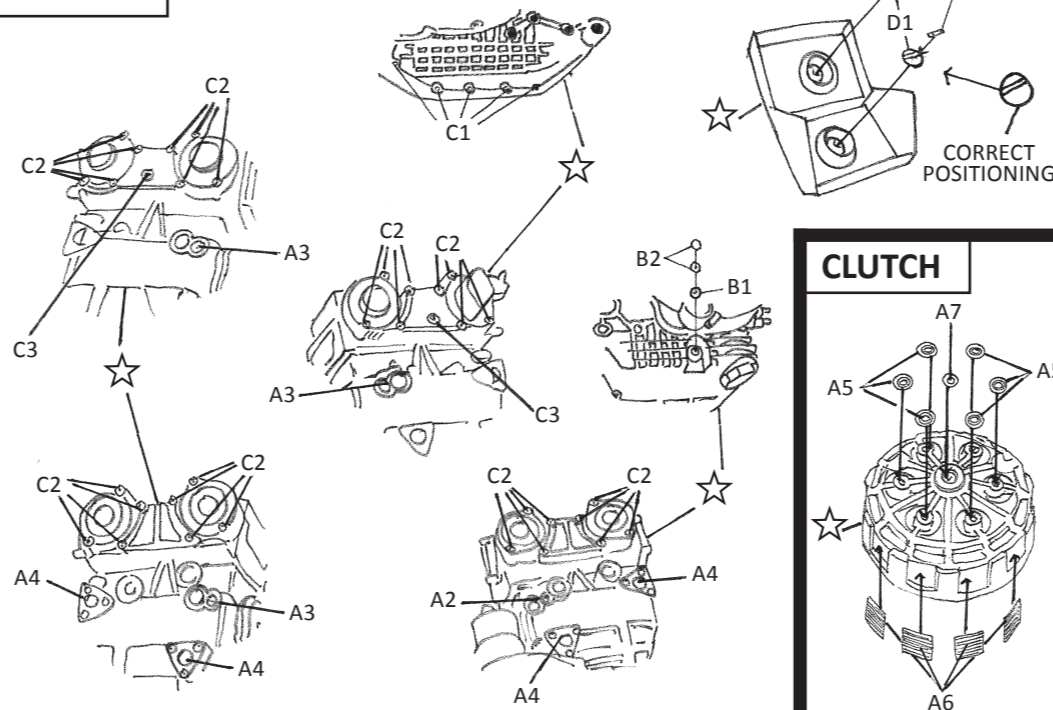


Resin parts

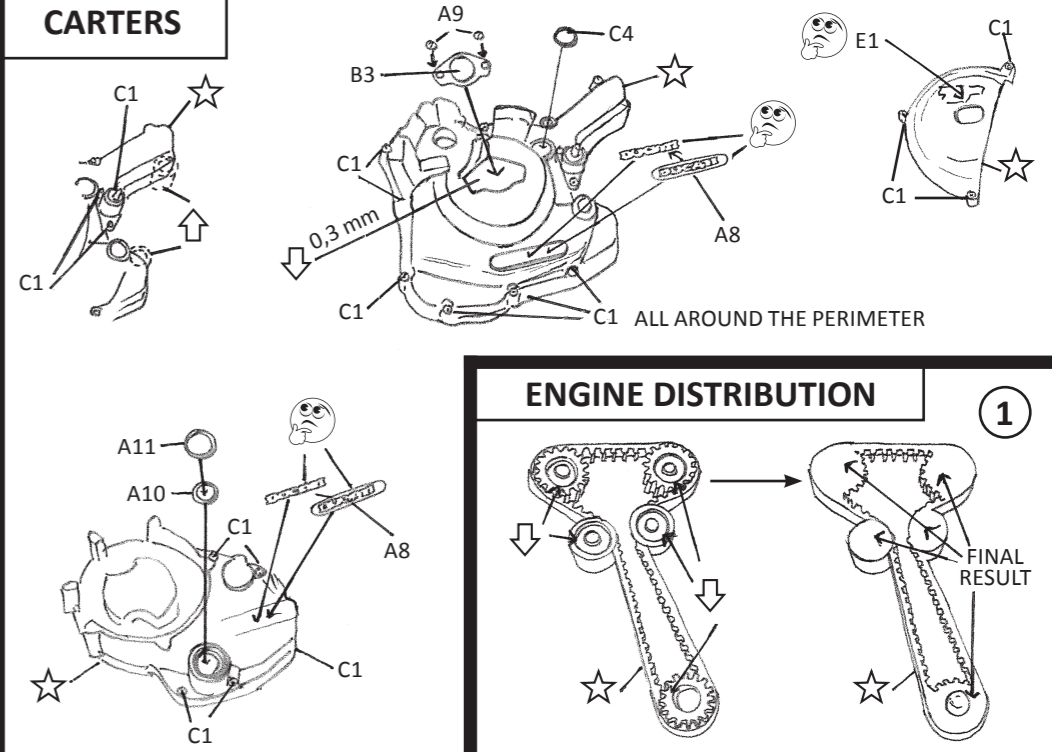


- ★ Original Part
- ↑ Remove where indicated
- ↓ Reduce the thickness
- ⊘ Drill
- ☹ Make your choice

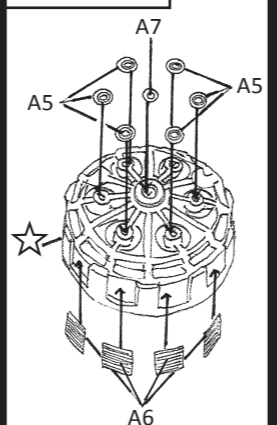
ENGINE



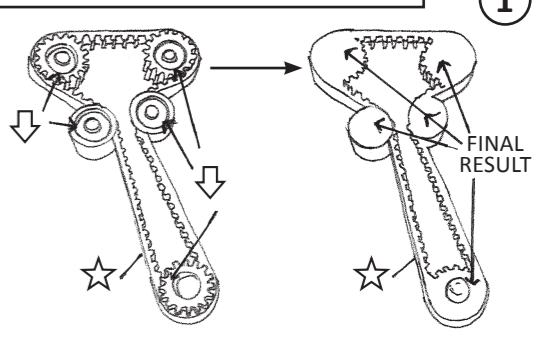
CARTERS



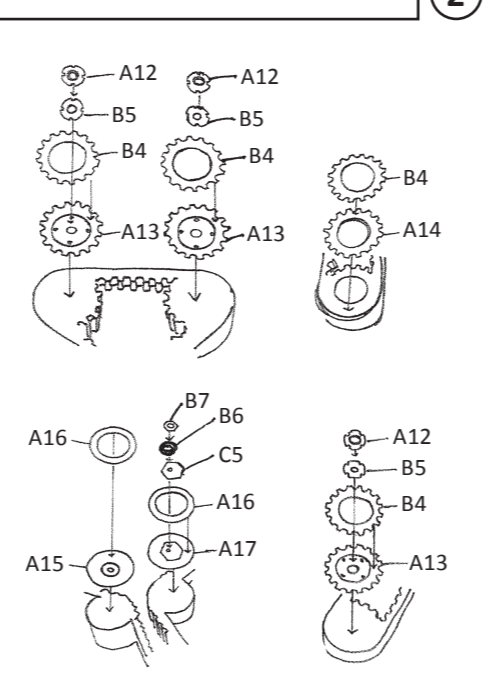
CLUTCH



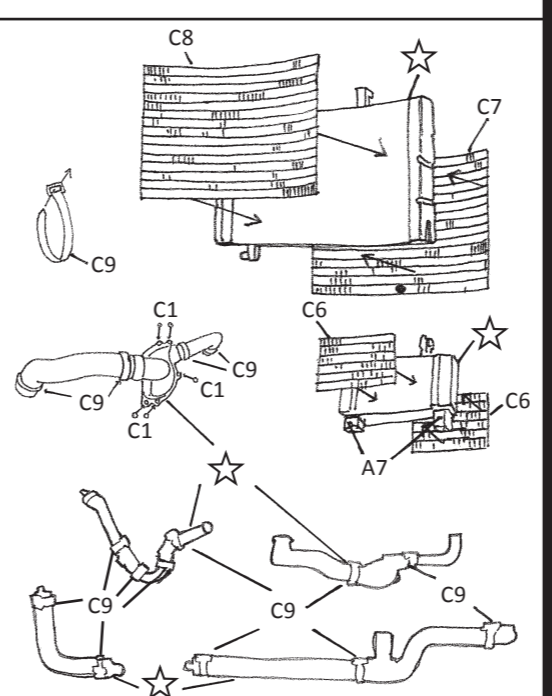
ENGINE DISTRIBUTION



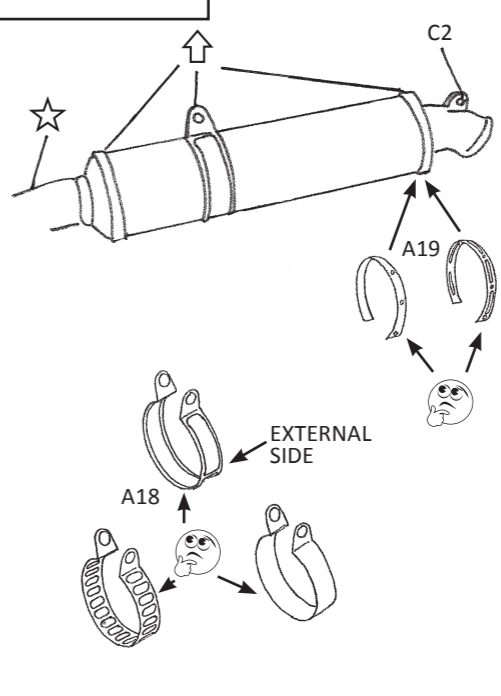
ENGINE DISTRIBUTION



RADIATOR AND COOLING SYSTEM



EXHAUST



FRONT AND REAR SPROCKETS

