



F-104C USAF STARFIGHTER

The development of the Lockheed F-104, America's first operational Mach 2 fighter, was initially motivated by the threat posed by fast and agile Soviet-built MiGs of the Korean War. By the time of its introduction to the U.S. Air Force in 1958, the Starfighter, with its short wings and powerful General Electric J79 engine, had been tailored to an interceptor role. The sleek aircraft was quickly dubbed the "missile with a man in it." By the Vietnam War, it was transitioned into a fighter-bomber role, which proved to be an awkward fit.

Although phased out of U.S. front line service by 1969, the F-104 was immensely popular overseas. Throughout its long career, 2,578 Starfighters were produced, with well over half built under license in Canada, Europe, and Japan. The high performance F-104 also set many speed and altitude records during its early years, and several F-104s had long careers with the National Aeronautics and Space Administration (NASA), flying research, training, and chase missions.

The F-104C was delivered to the U.S. Air Force in 1959. It flew with the 479th Tactical Fighter Wing at George Air Force Base in California, and deployed twice to Moron Air Base in Spain. It was transferred in 1967 to the Air Force Flight Test Center at Edwards Air Force Base, where it flew (presumably as a testbed) for the Air Force Systems Command. It returned briefly to George AFB before it was retired in 1974, becoming a "gate guard" for many years.

CAUTION

- *Read carefully and fully understand the instructions before commencing assembly.
- *Keep out of reach of children. Children must not be allowed to put any parts in their mouths, or pull plastic bag over their heads.
- *When using adhesives and paints, please make sure not to use them in closed room or near the fire.
- *When assembling this kit, tools including knives are used. Extra care should be taken to avoid injury.

WARNING: CONTAIN SMALL PARTS NOT FOR CHILDREN UNDER 14 YEARS OF AGE.



Drill



Remove



2 Set



Bend



Optional



Decal



Super Glue



Fill Hole



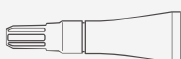
No Cement



Be Careful

TOOLS RECOMMENDED

Cement



Side Cutter



Modeling Knife



Tweezers

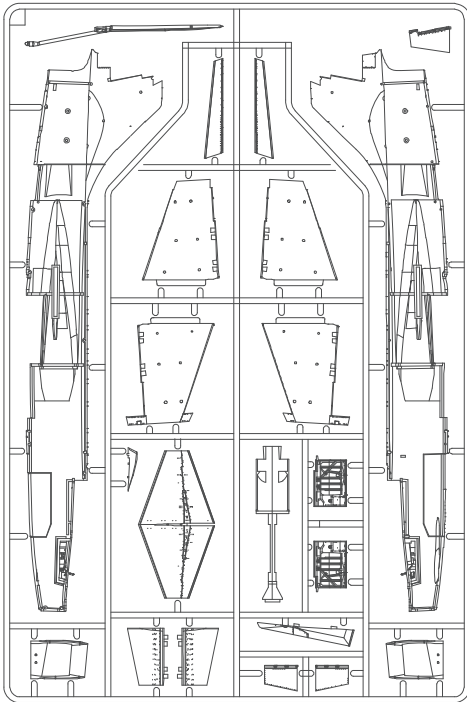


AFTERMARKET SERVICES CARD

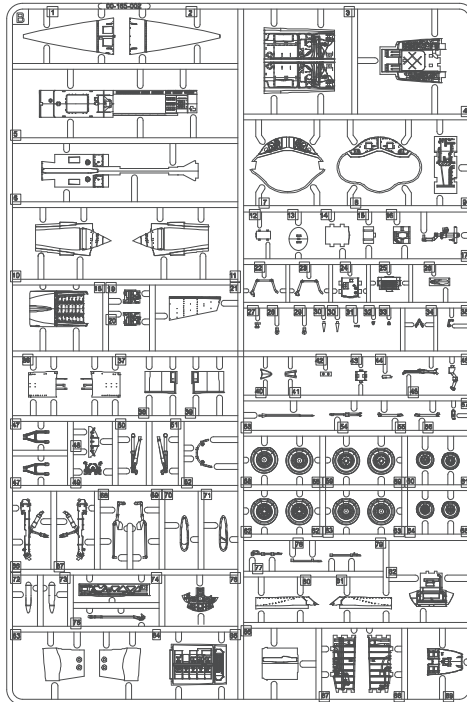
When requesting replacement parts, please take or send this form to your local dealer so that the parts required can be correctly identified. Please note that specifications and availability are subject to change without notice. Or visit <http://www.kineticmodel.com> for latest information. For more information, please contact services@kineticmodel.com

Part Code	K48089	Qty	Item
00-165-002	1/48 F-104 WINGS, TANK ACCESSORIES	1	B
00-165-003	1/48 F-104 NLG,MLG PARTS	1	C
00-165-004	1/48 F-104G/TF-104G CANOPY	1	D
00-165-007	1/48 F-104A/C	1	G
01-165-48096	1/48 F-104A/C USAF	1	Decal
03-165-48096	1/48 F-104A/C USAF	1	MANUAL
06-165-48083	1/48 F-104q/C	1	PE

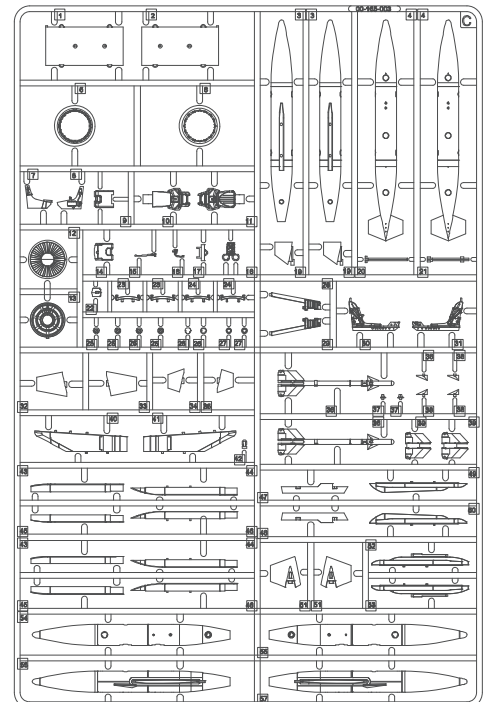
G



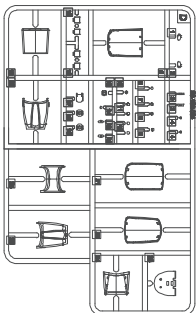
B



C



D



PE

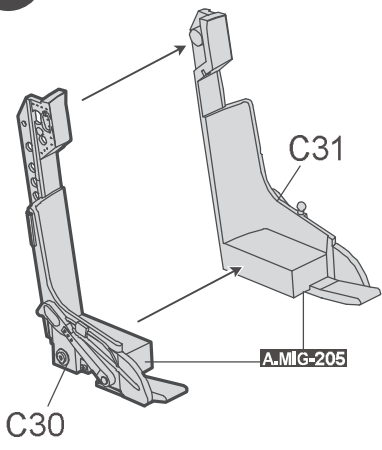




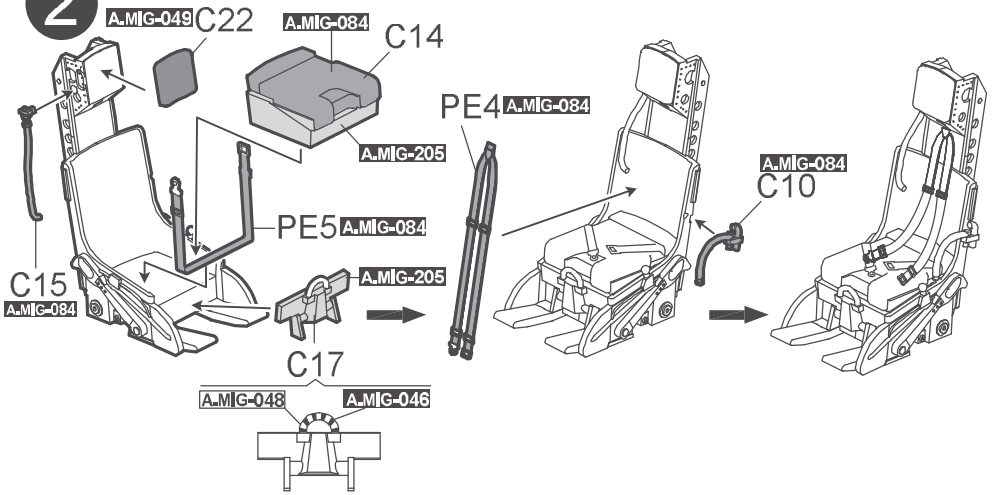
COLOR	AMMO MIG	VALLEJO MODEL COLOR	GSI CREOS MR. COLOR	TAMIYA ENAMEL/ACRYLIC	HUMBROL ENAMEL
SATIN BLACK	A.MIG-032	70.861	2	X-18	21
RUBBER & TIRES	A.MIG-033	70.306	137	XF-85	-
MATT BALCK	A.MIG-046	71.057	33	XF-1	33
SATIN WHITE	A.MIG-047	70.842	1	X-2	22
YELLOW	A.MIG-048	71.002	4	XF-3	69
RED	A.MIG-049	71.003	3	XF-7	153
MATT WHITE	A.MIG-050	71.001	62	XF-2	34
NATO GREEN	A.MIG-084	71.093	54	XF-67	117
CRYSTAL GREEN	A.MIG-092	70.936	138	X-25	-
CRYSTAL RED	A.MIG-093	70.934	47	X-27	220
BURNT IRON	A.MIG-187	71.073	61	XF-4	-
STEEL	A.MIG-191	70.864	28	-	27003
POLISHED METAL	A.MIG-192	70.865	-	XF-56	27002
SILVER	A.MIG-195	71.063	8	X-11	11
FS30219	A.MIG-202	71.125	310	XF-59	118
FS 26231	A.MIG-205	71.051	317	-	27
FS34079	A.MIG-206	71.294	309	-	116
FS 33481 ZINC CHROMATE YELLOW	A.MIG-221	71.107	27	XF-4	-
FS36622	A.MIG-226	71.296	311	-	28
DARK OILVE DRAB	A.MIG-237	71.016	12	XF-62	-
RESEDAGRÜN B	A.MIG-004	-	340	-	-

For Color Profile, please go to www.kineticmodel.com for download
(type the kit# and go for manual/painting guide)

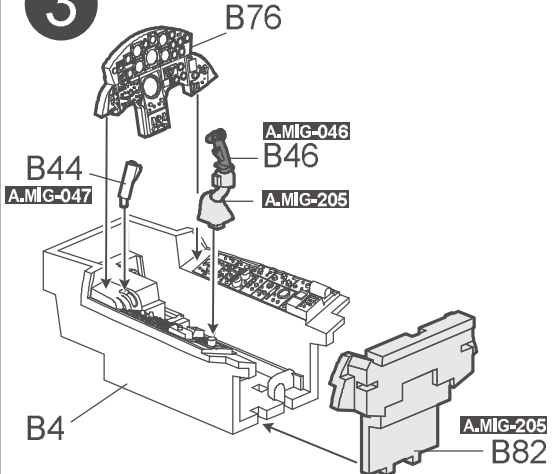
1



2

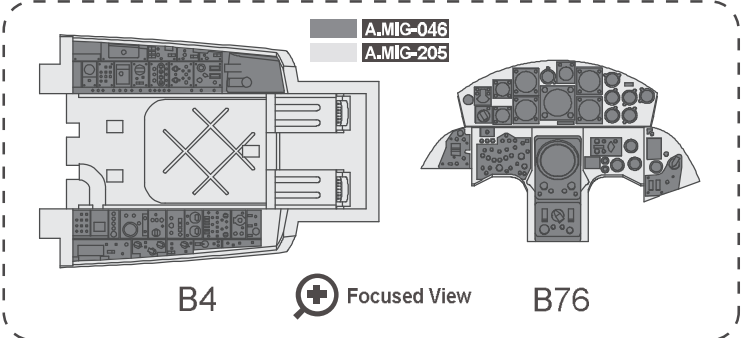
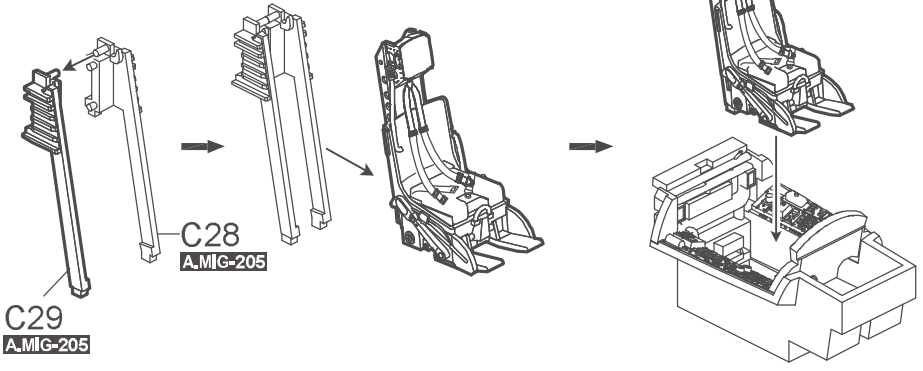


3

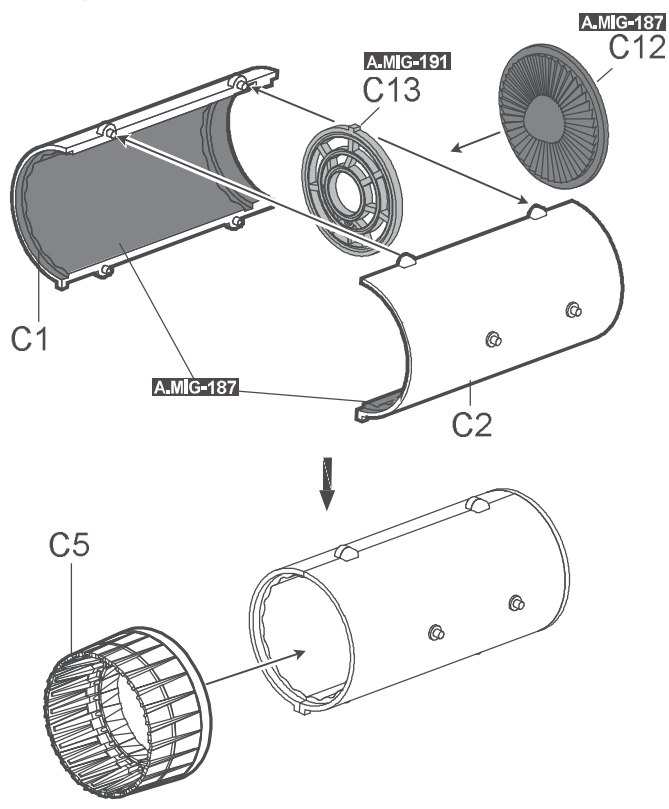


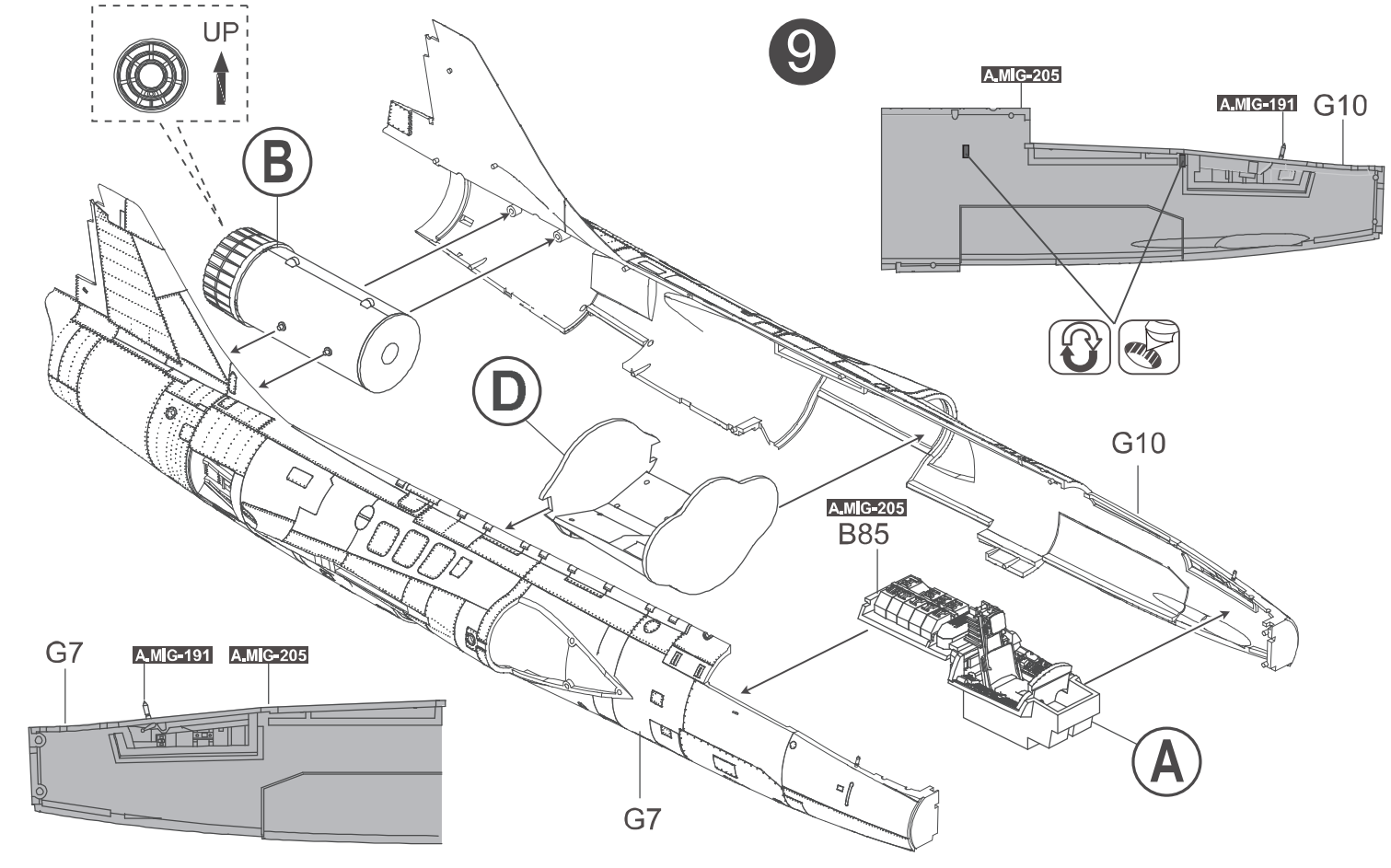
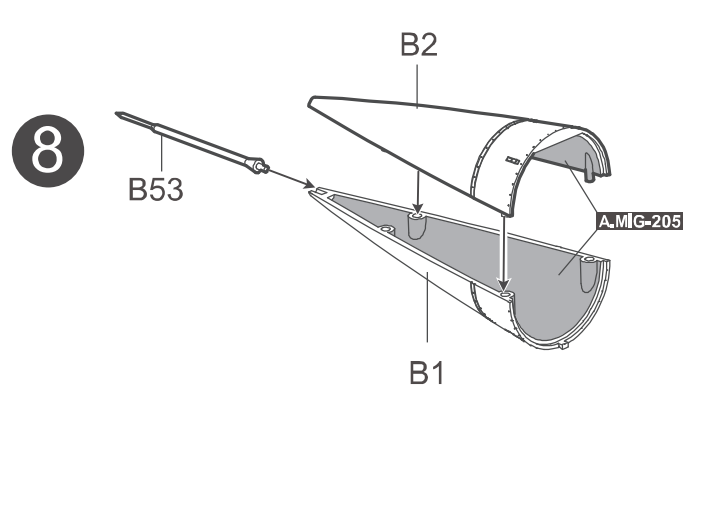
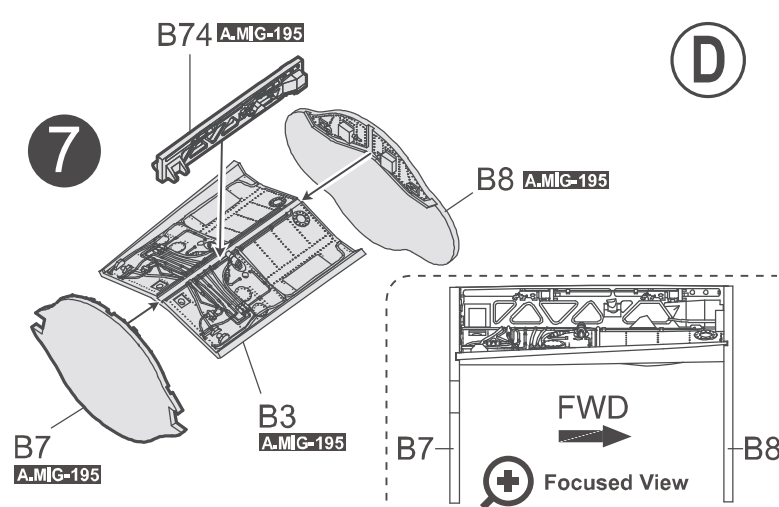
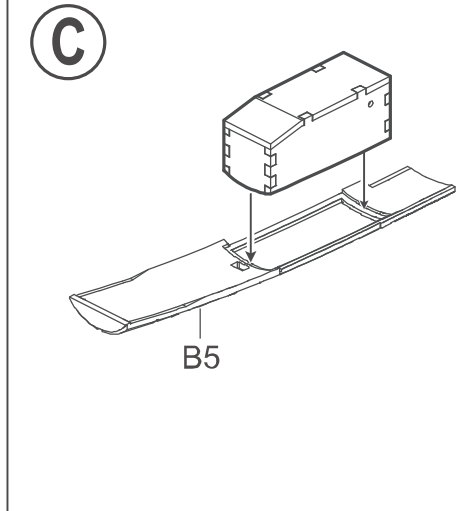
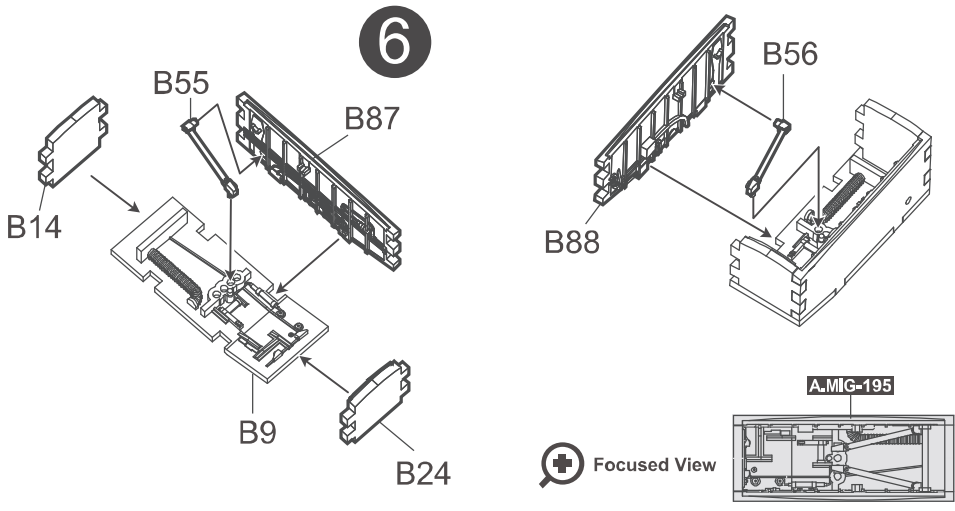
4

A

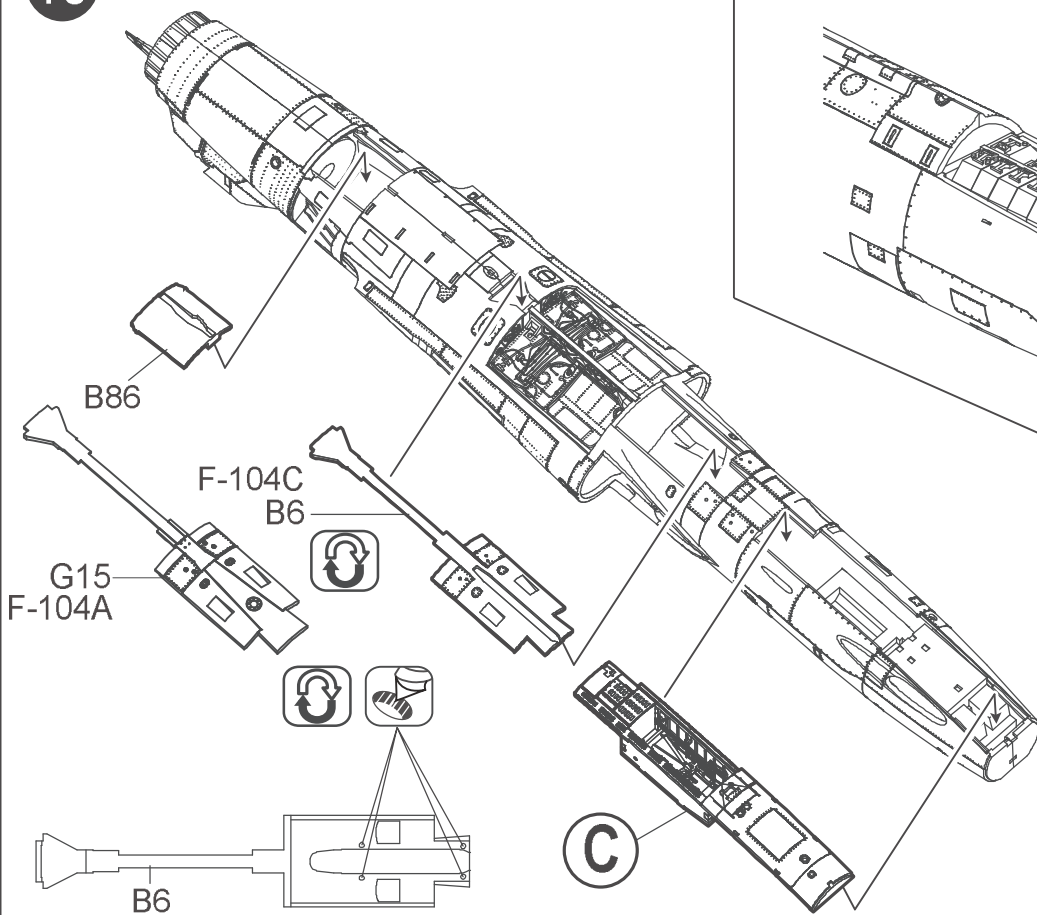


5 B

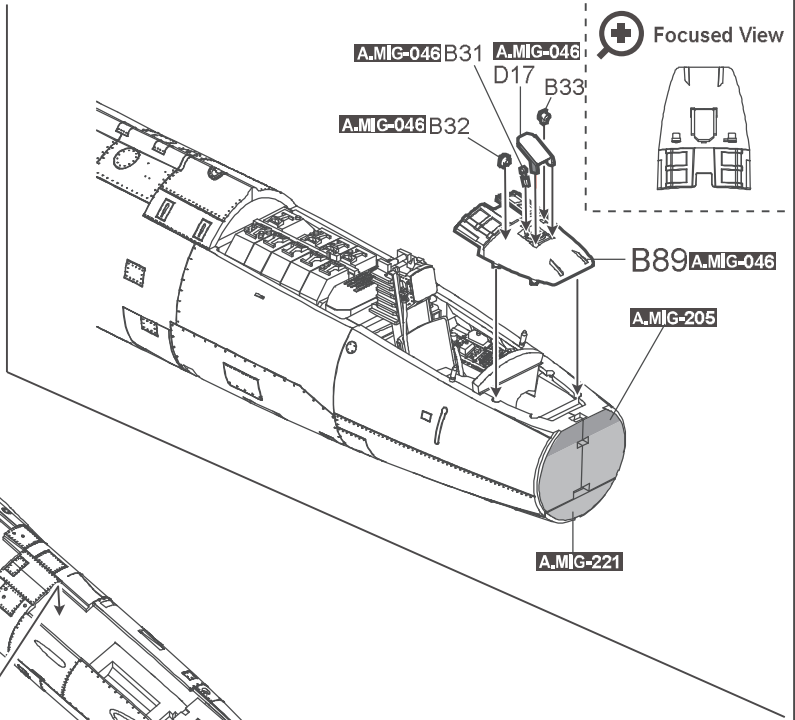




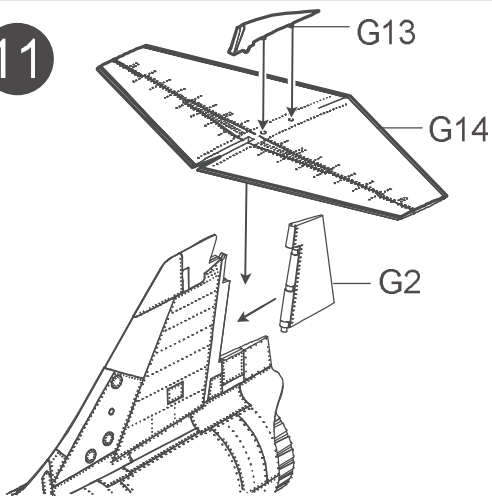
10



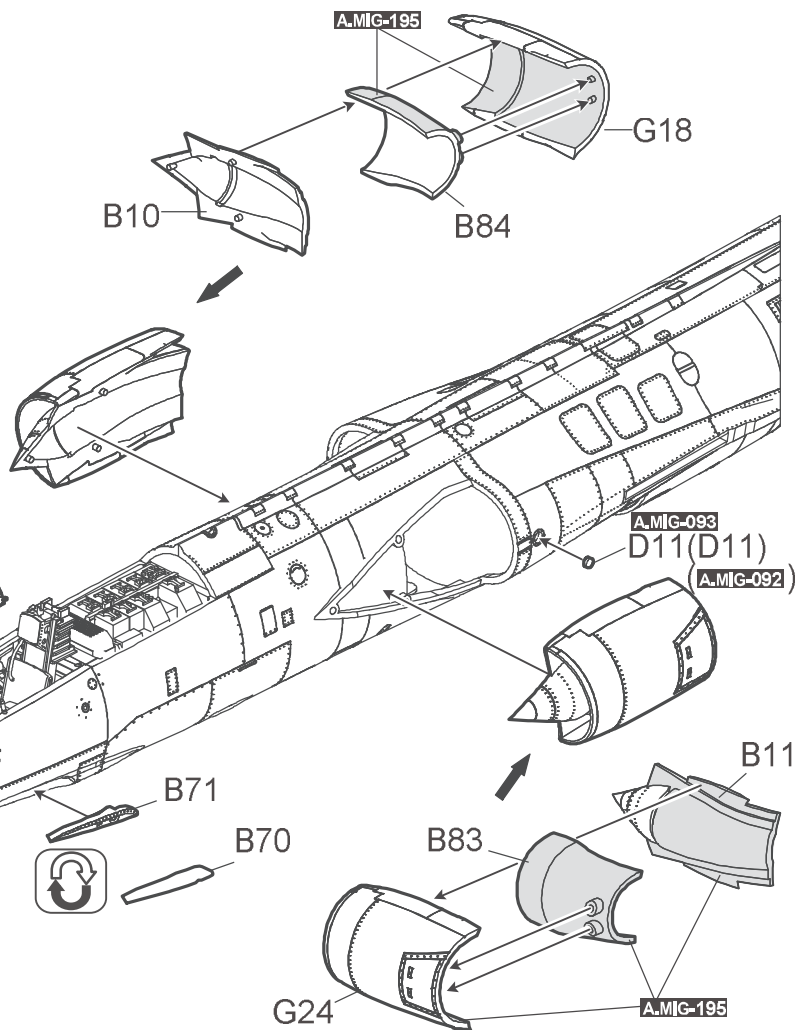
Focused View



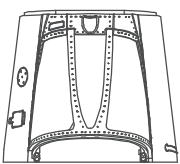
11



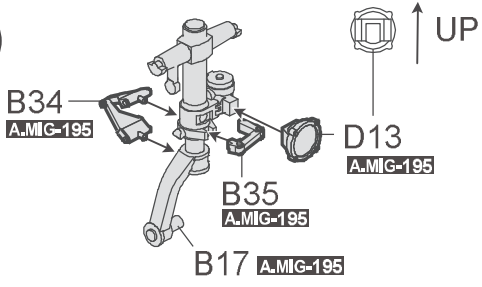
12



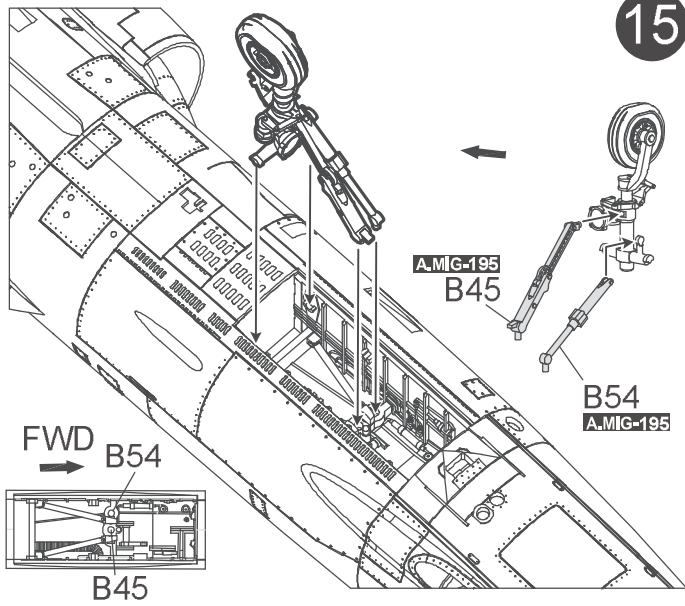
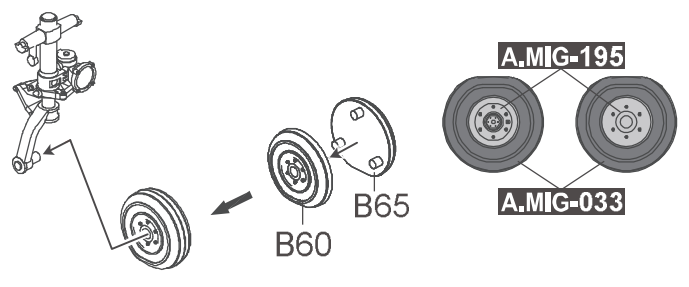
Focused View



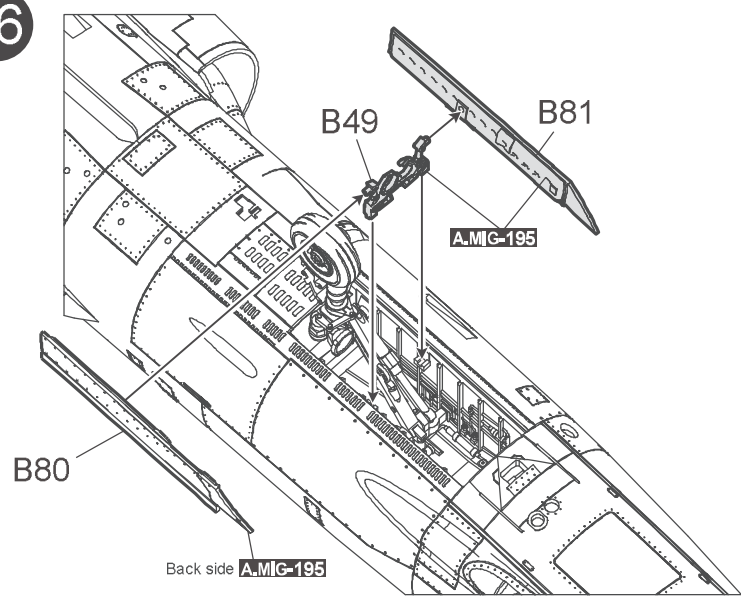
13



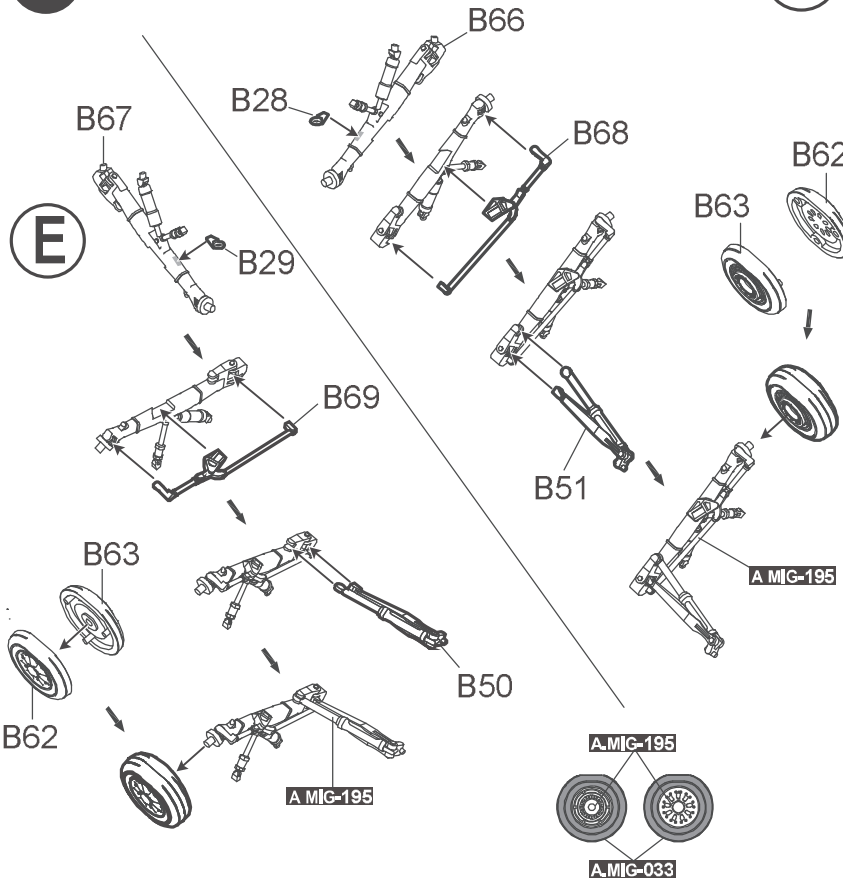
14



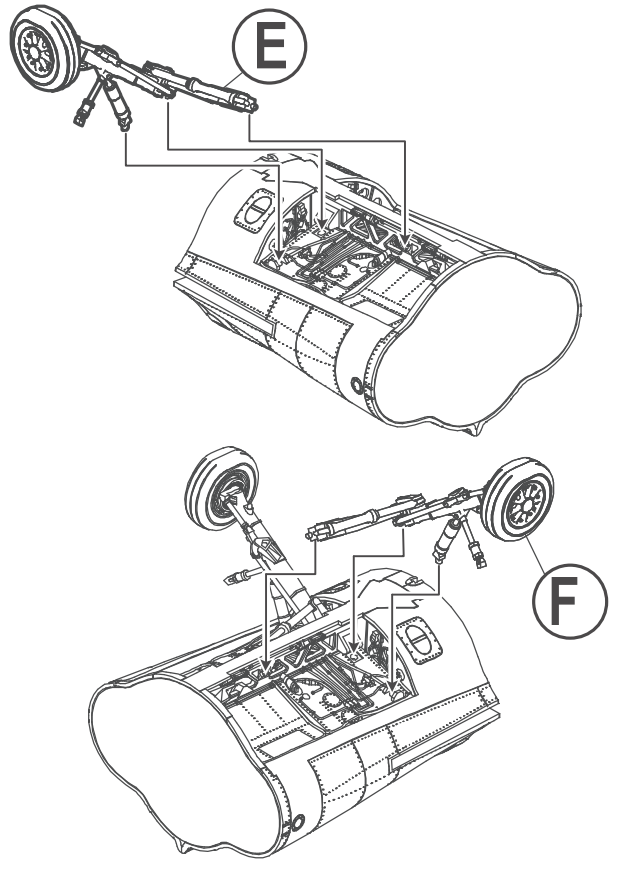
16



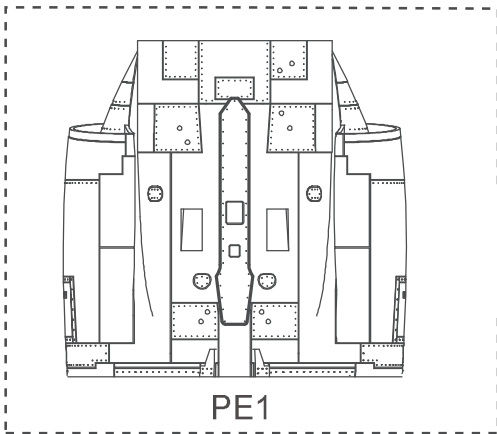
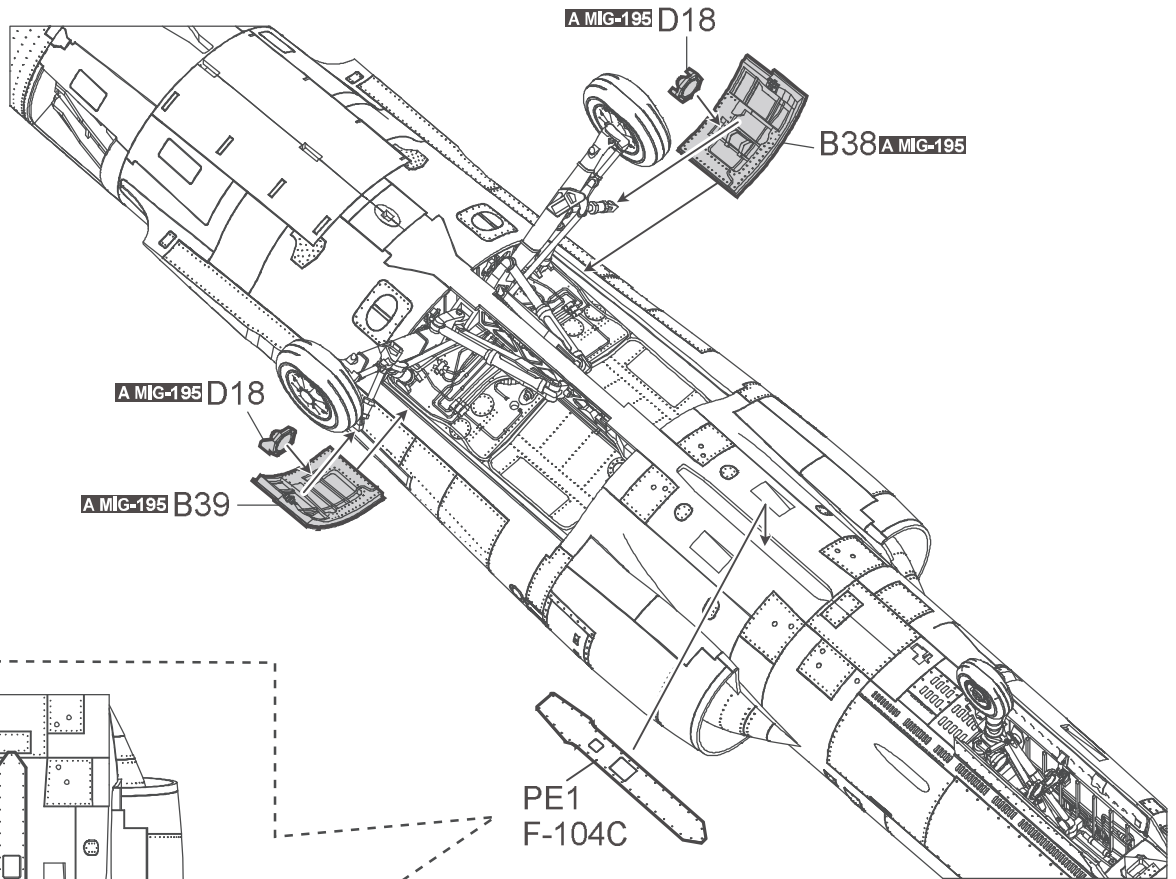
17



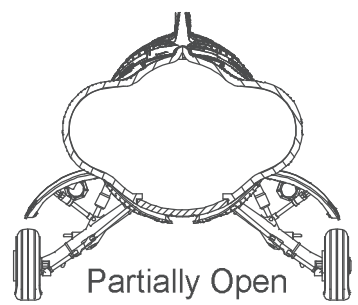
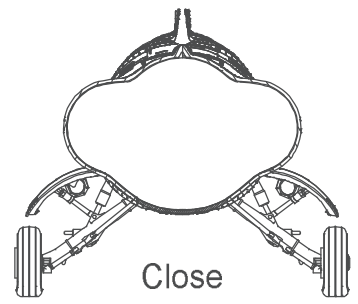
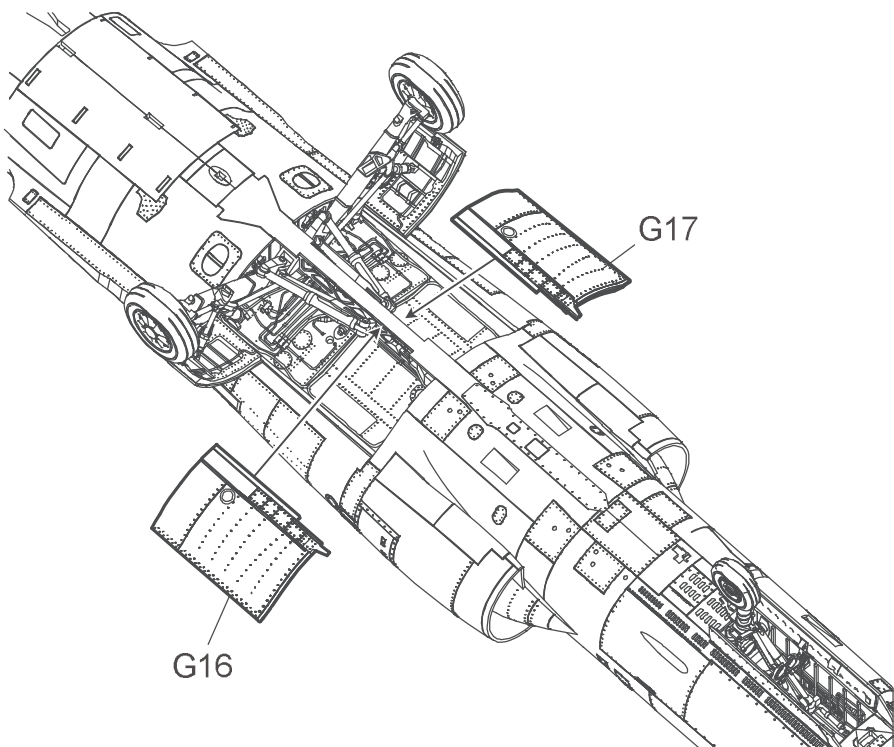
F



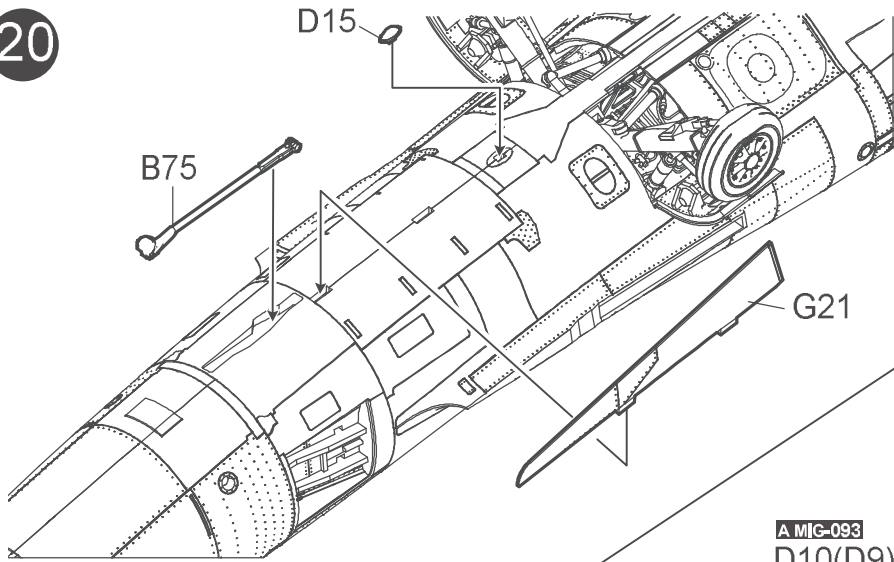
18



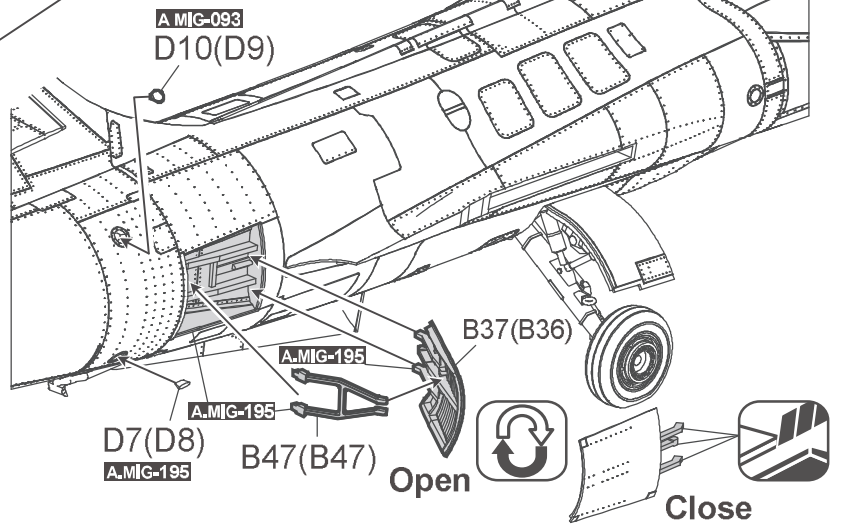
19



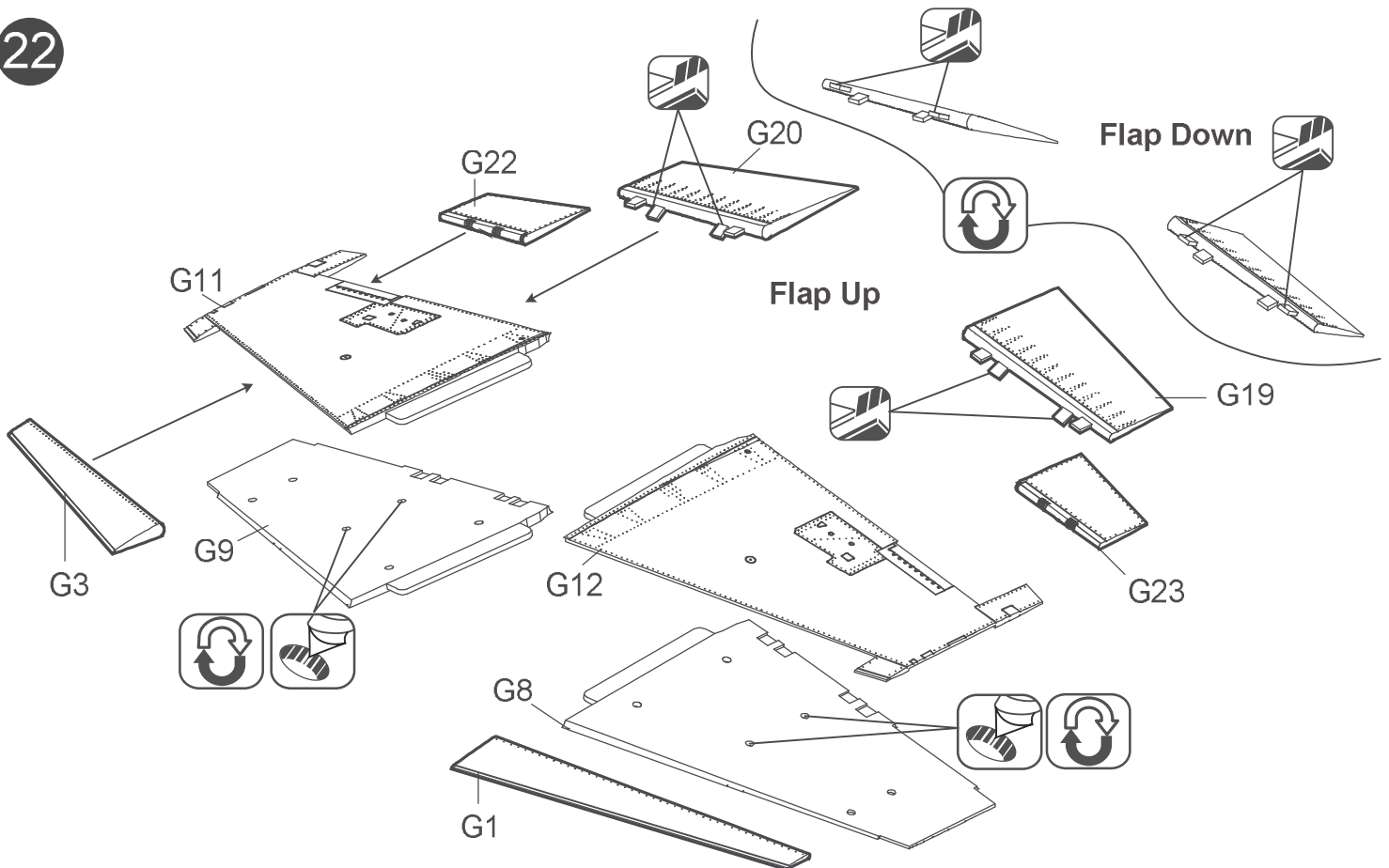
20



21



22

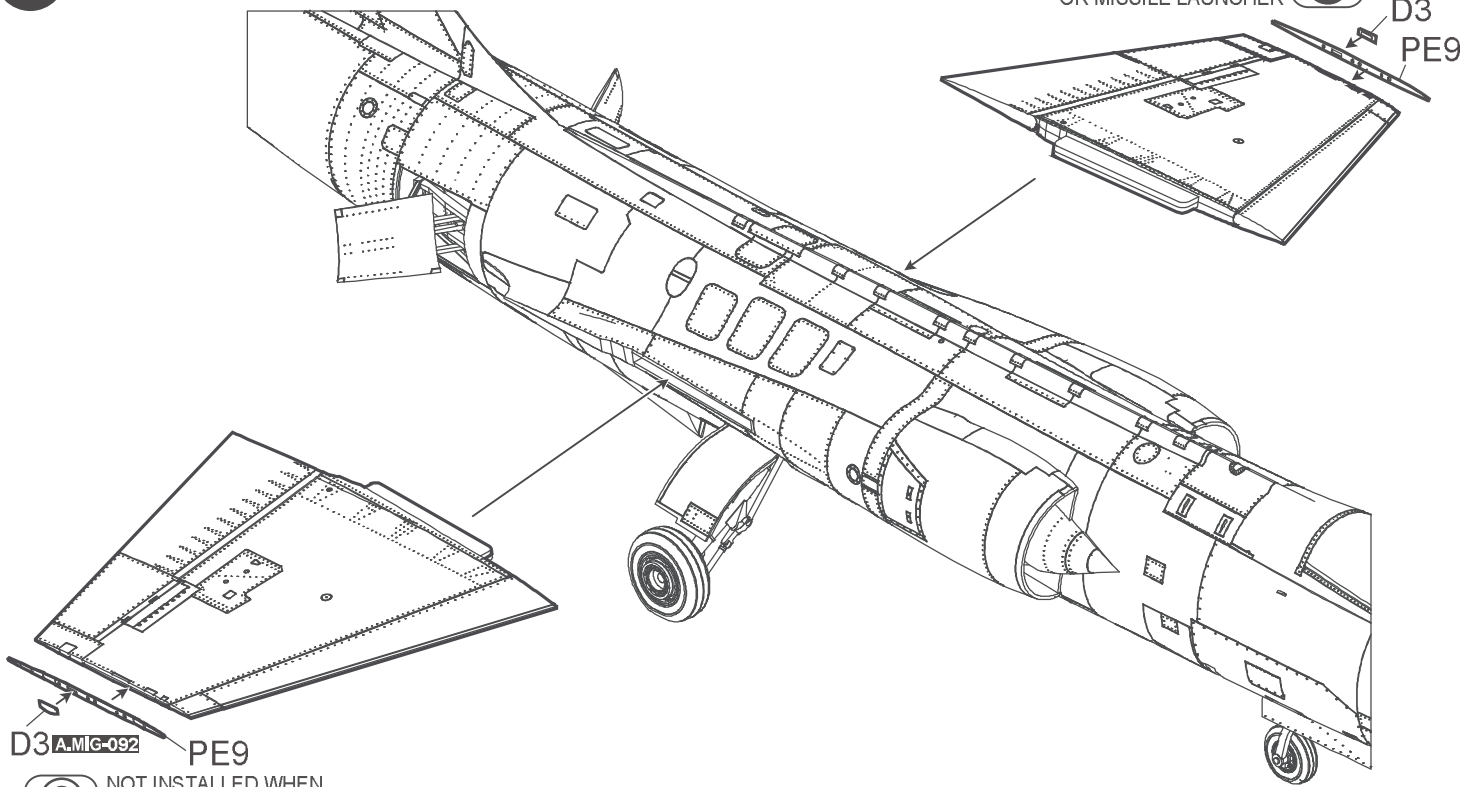


23

NOT INSTALLED WHEN
SELECTING WINGTIP TANK
OR MISSILE LAUNCHER

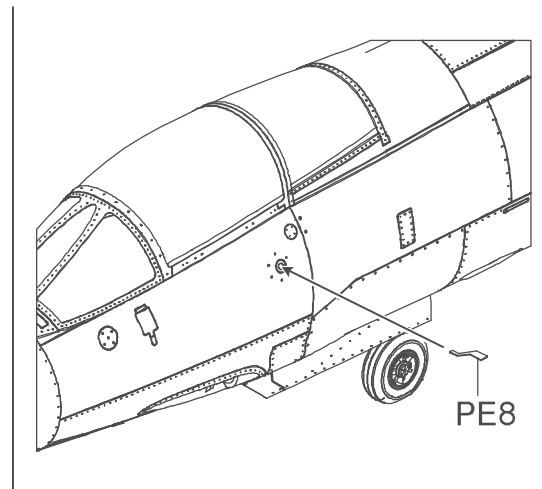
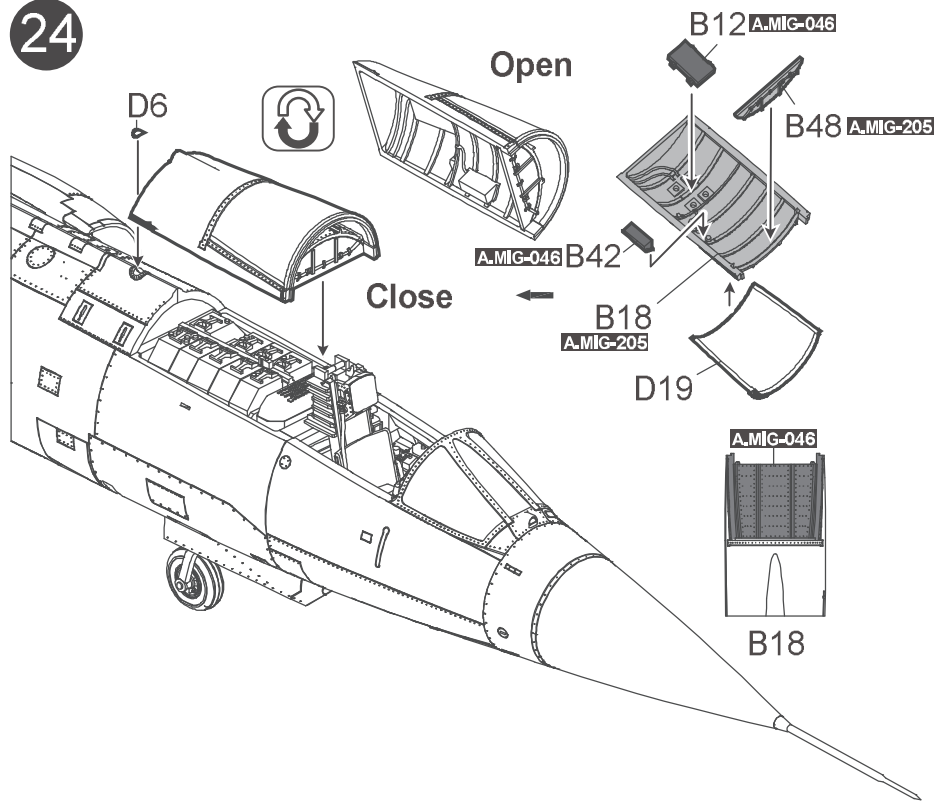


A.MIG-093

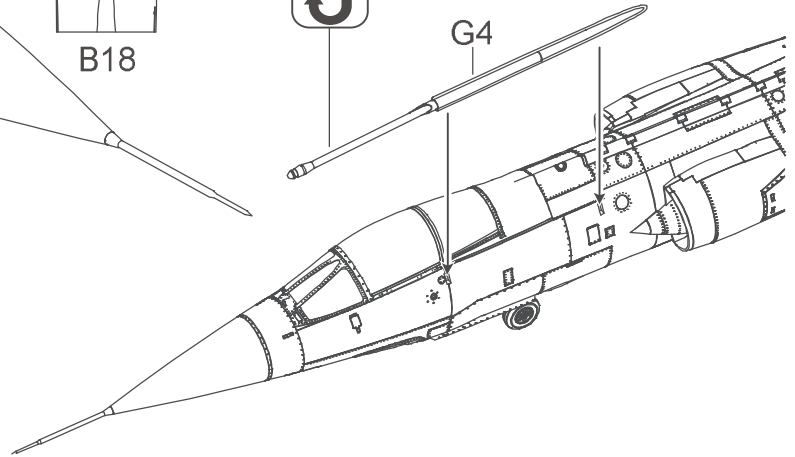


NOT INSTALLED WHEN
SELECTING WINGTIP TANK
OR MISSILE LAUNCHER

24

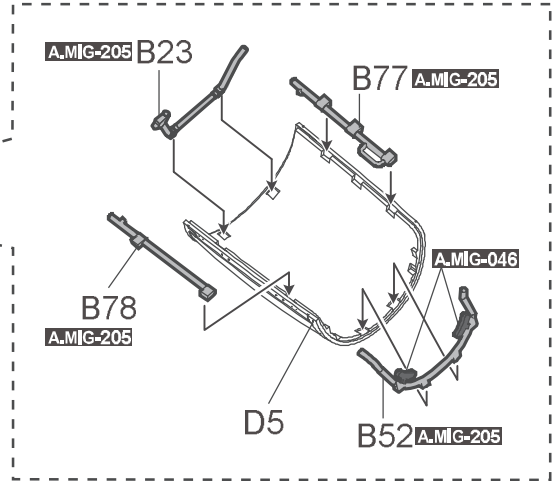
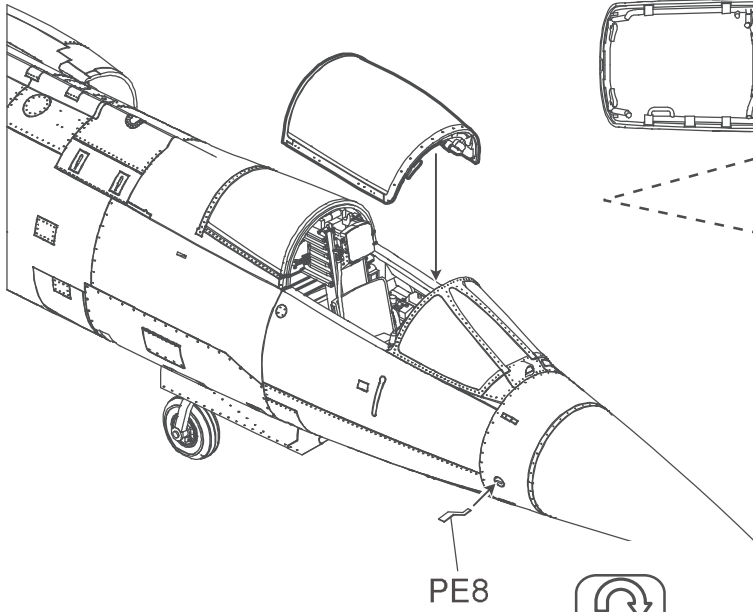


G4

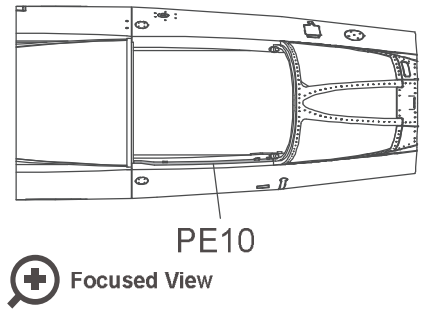
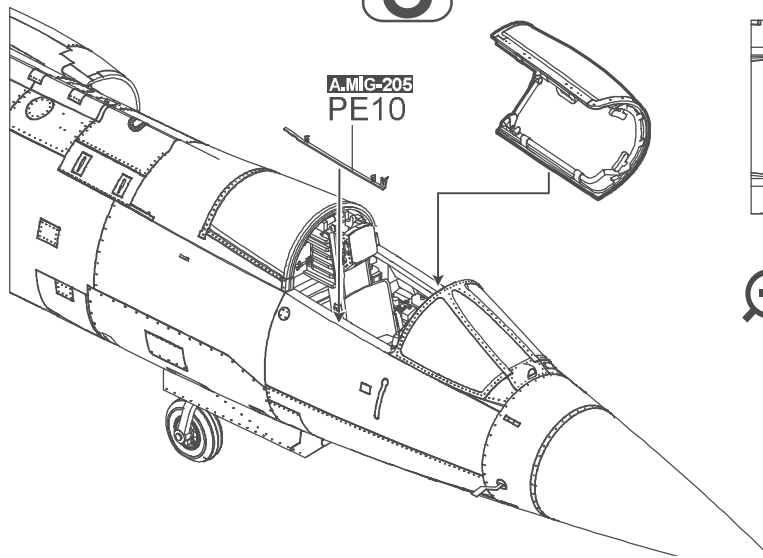


25 Canopy Close

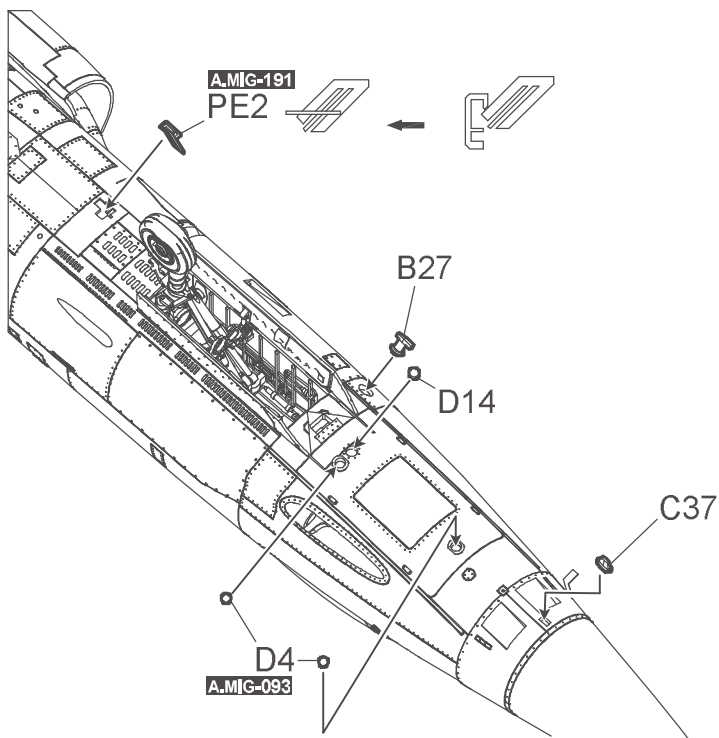
 Focused View



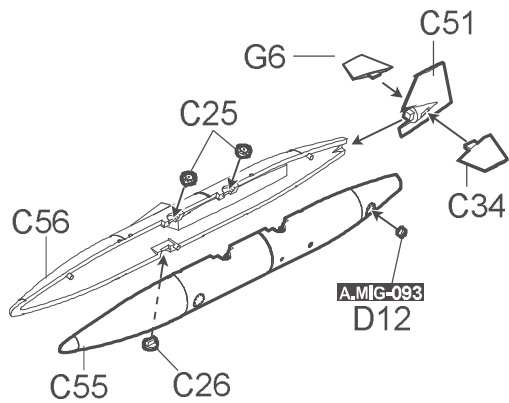
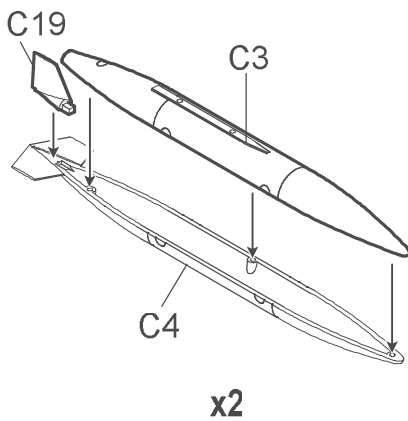
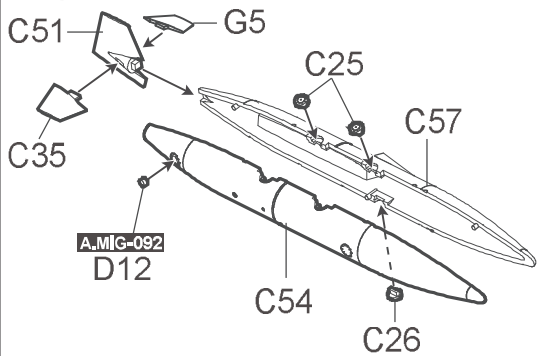
Canopy Open



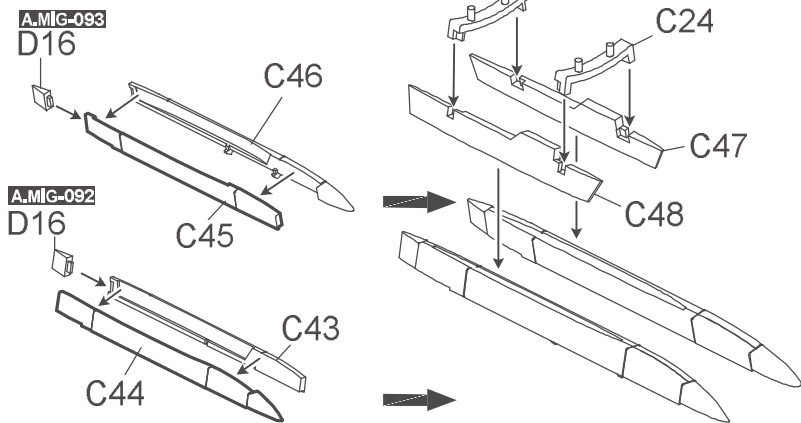
26



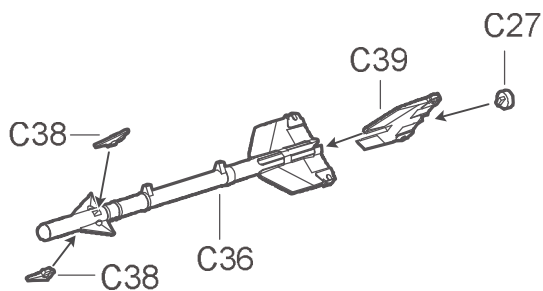
27



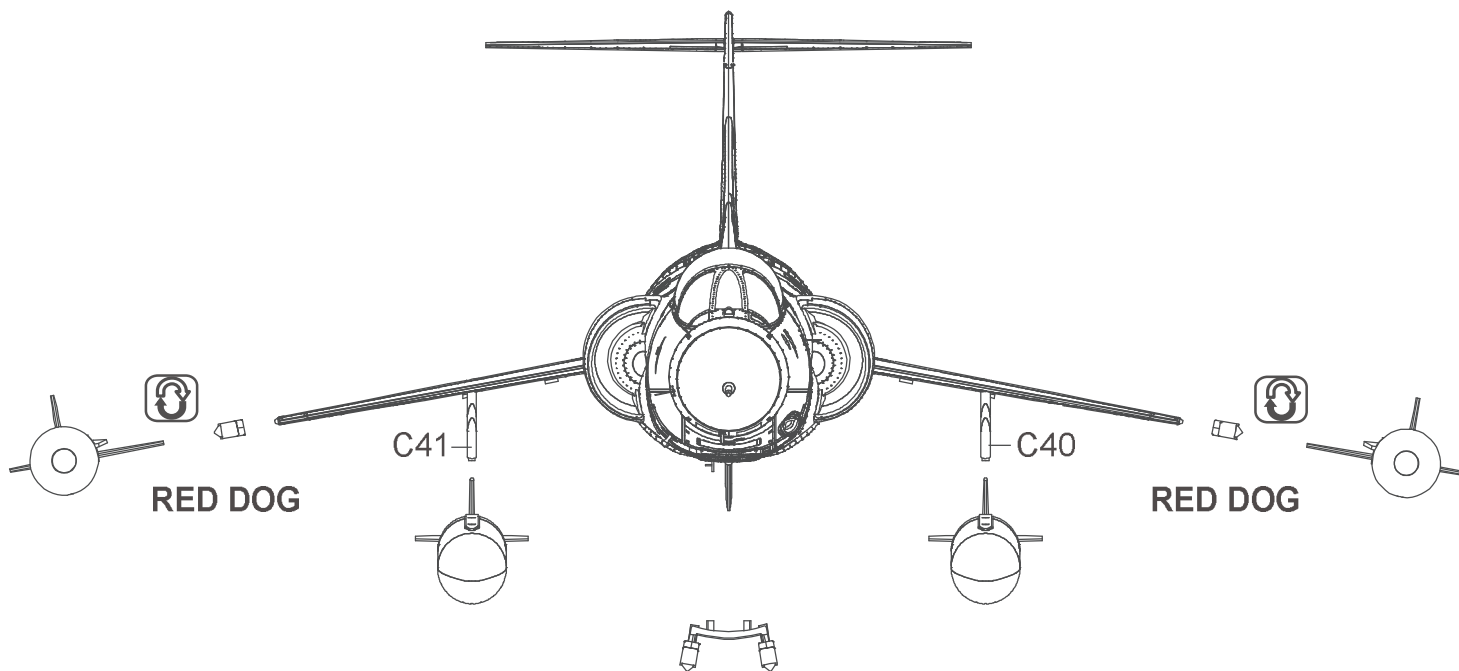
RED DOG x2



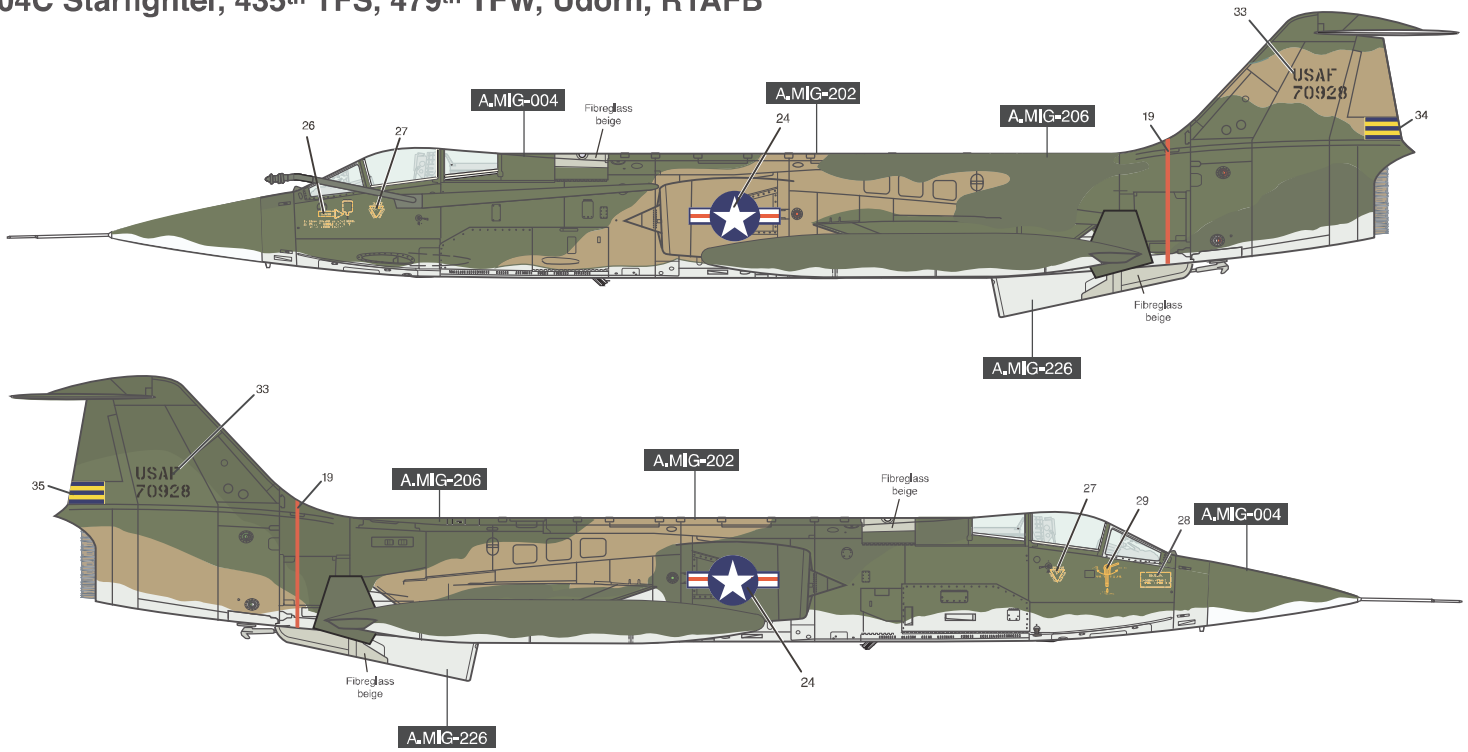
AIM-9B



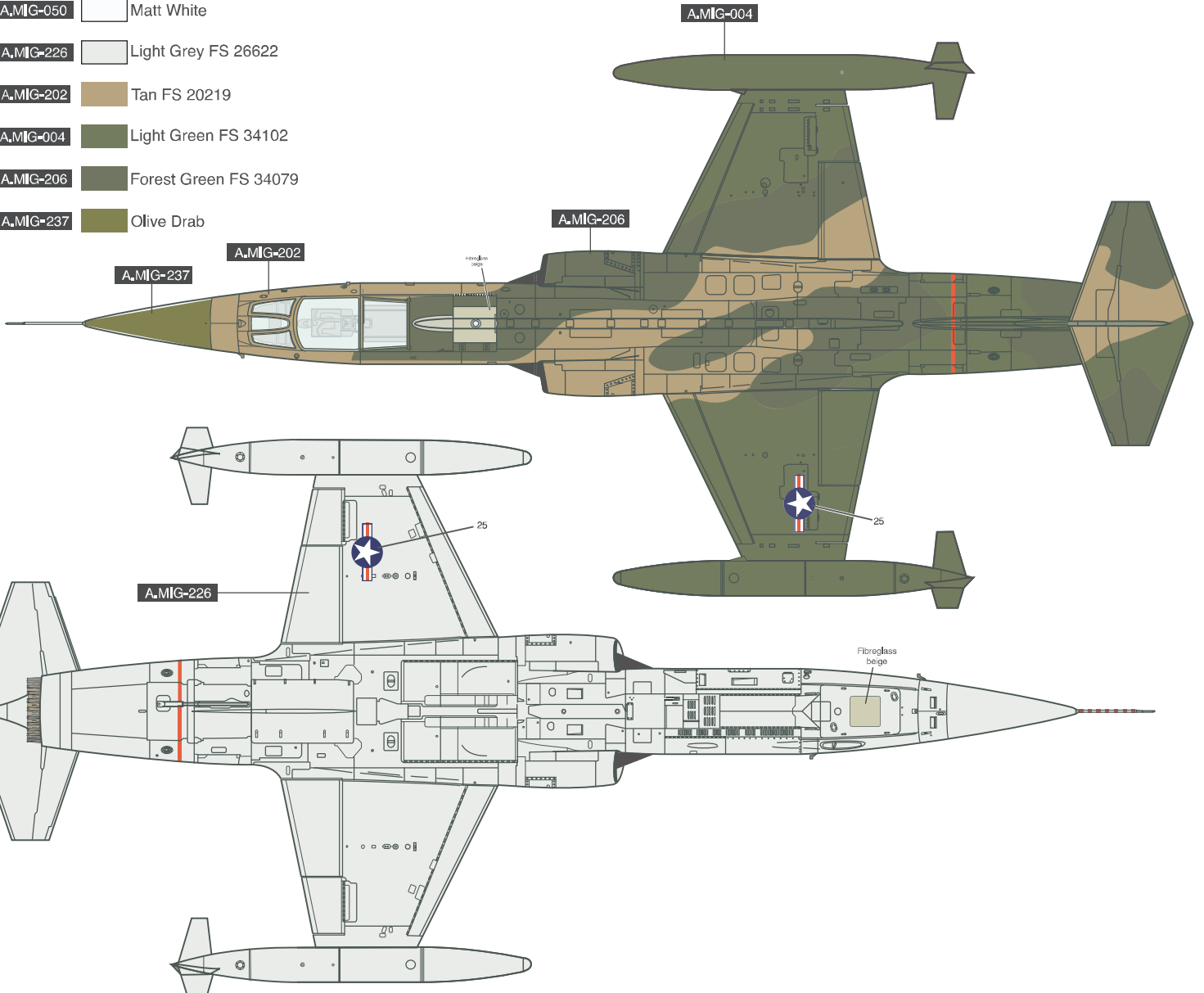
28



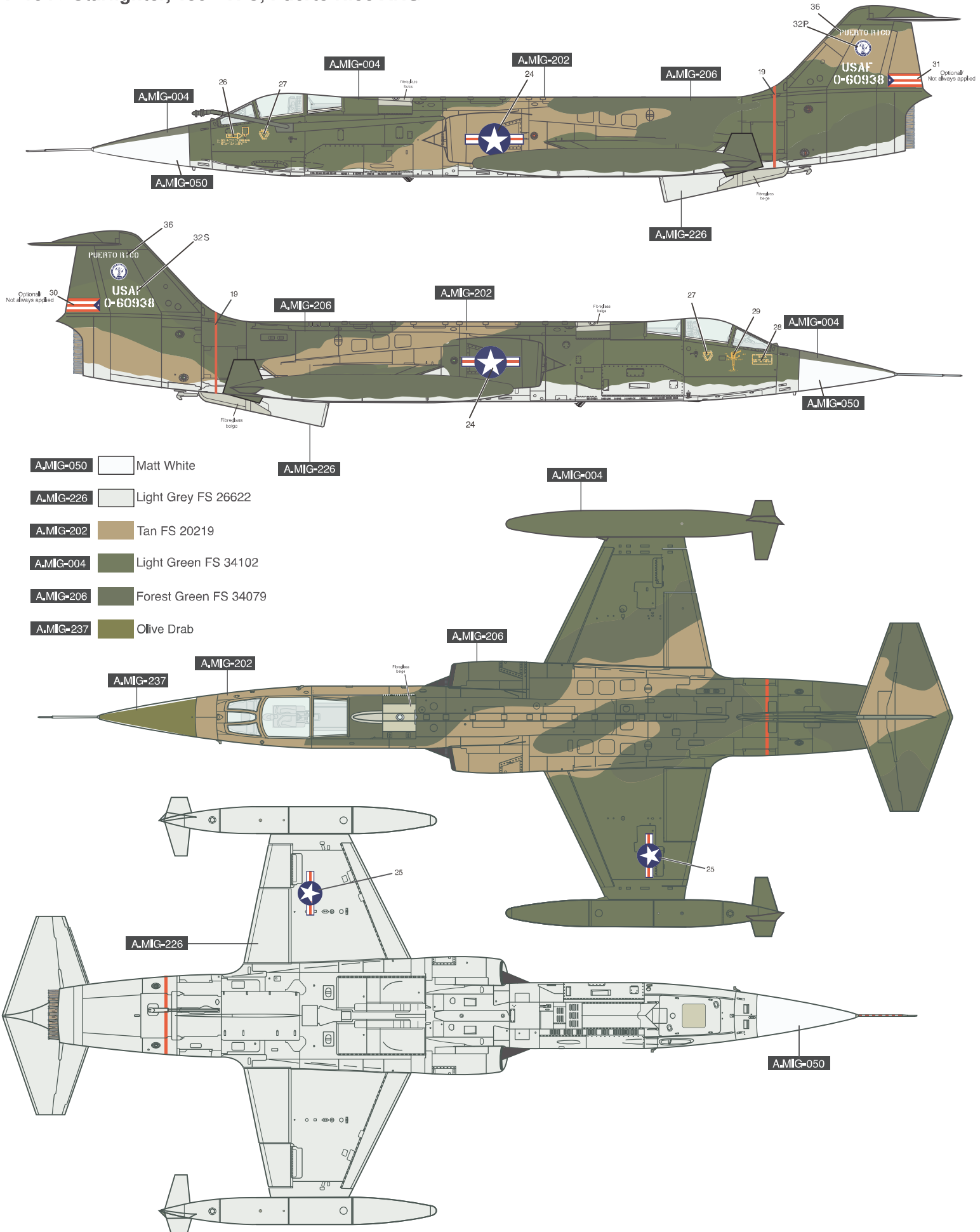
F-104C Starfighter, 435th TFS, 479th TFW, Udorn, RTAFB



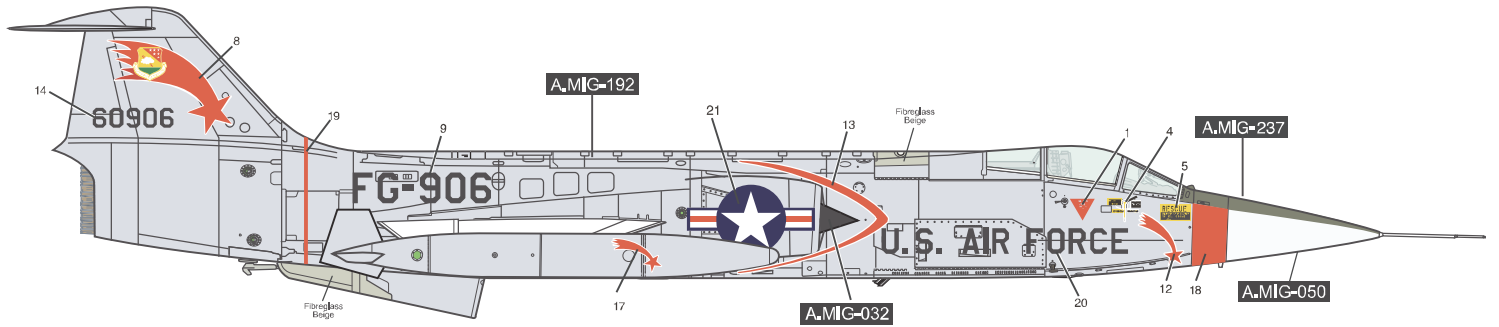
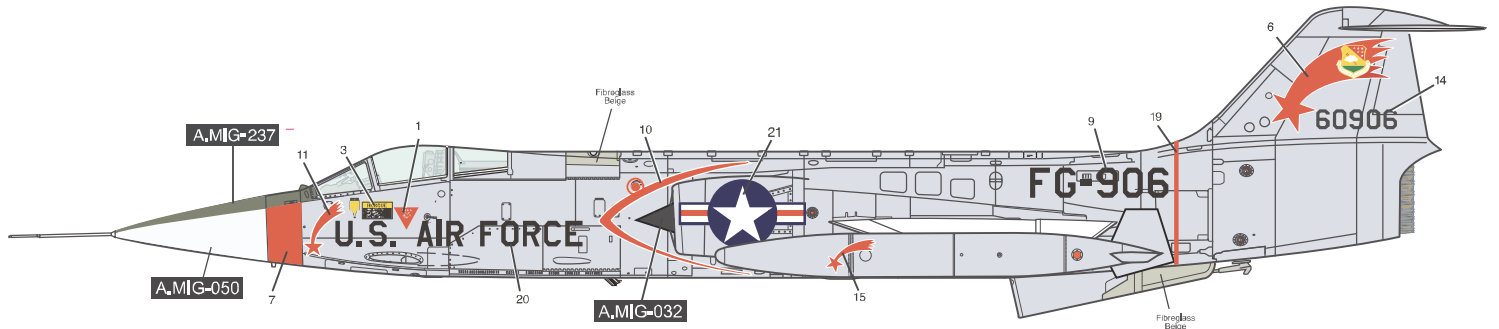
- A.MIG-050 Matt White
- A.MIG-226 Light Grey FS 26622
- A.MIG-202 Tan FS 20219
- A.MIG-004 Light Green FS 34102
- A.MIG-206 Forest Green FS 34079
- A.MIG-237 Olive Drab



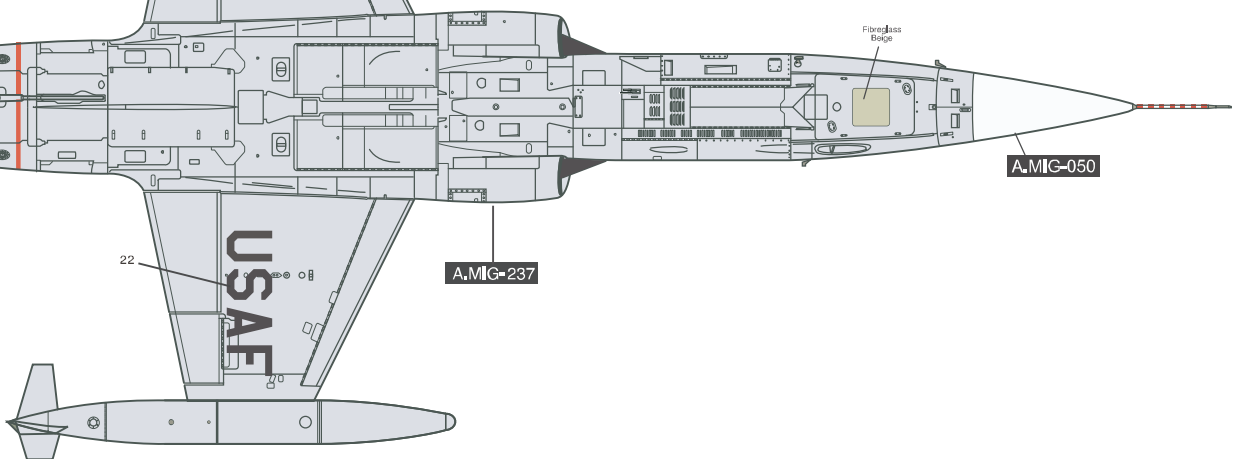
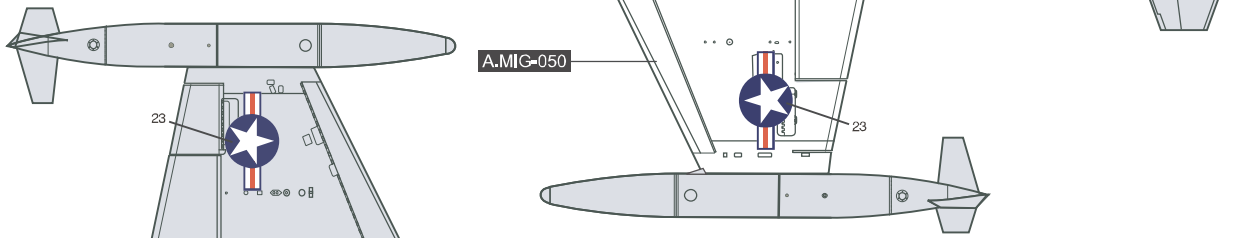
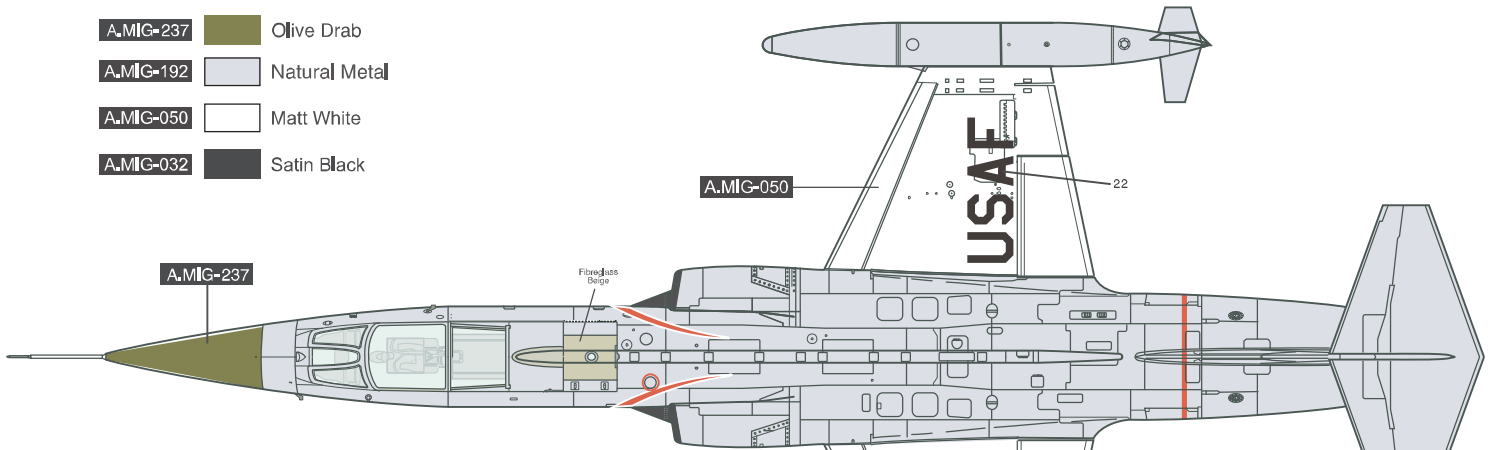
F-104C Starfighter, 198th TFS, Puerto Rico ANG

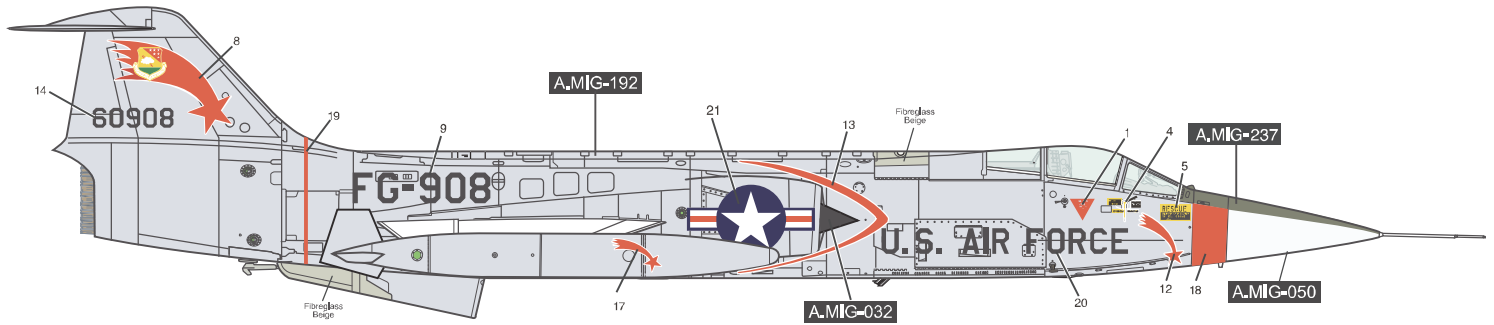
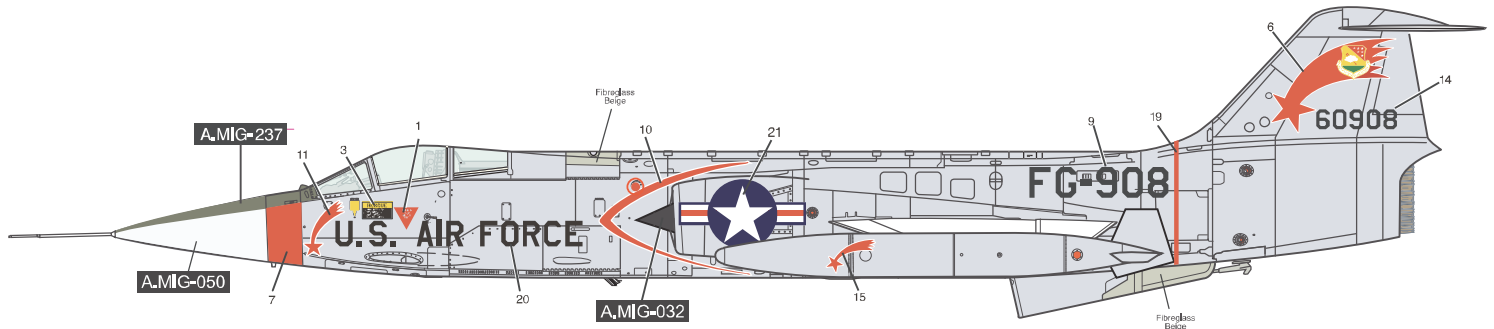


F-104C Starfighter, 434th TFS, 479th TFW, George AFB, Ca



- A.MIG-237 Olive Drab
- A.MIG-192 Natural Metal
- A.MIG-050 Matt White
- A.MIG-032 Satin Black





- A.MIG-237 Olive Drab
- A.MIG-192 Natural Metal
- A.MIG-050 Matt White
- A.MIG-032 Satin Black

