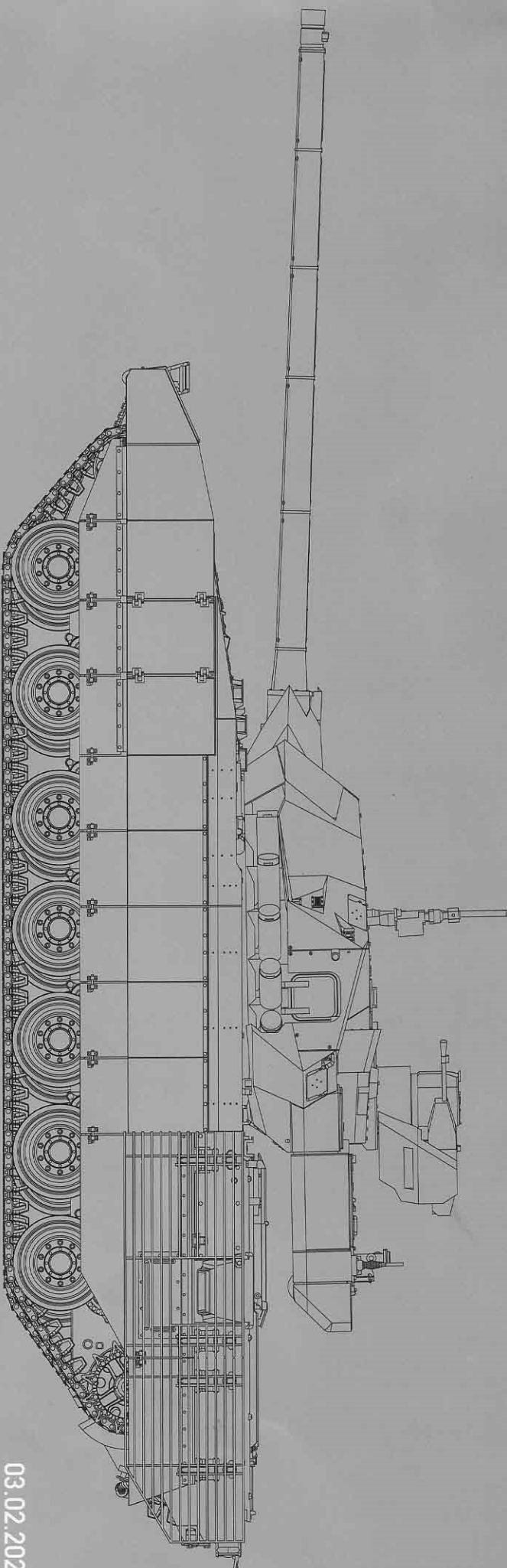


T-14 ARMATA

RUSSIAN MAIN BATTLE TANK



03.02.2029

First revealed to the public at the 2015 Moscow Victory Day Parade, the T-14 Armata is a Russian 5th generation MBT based on the Armata Universal Combat Platform designed and developed by Uralvagon-zavod in Nizhny Tagil. Armata' is derived from the plural form of the Latin 'Arma', meaning weapons of war, and fits this new concept of a universal combat platform nicely. Other vehicles based on the Armata platform include the T-15 Heavy Infantry Fighting Vehicle, an Armored Recovery Vehicle, a Combat Engineer Vehicle, a Heavy Armored Personnel Carrier, and multiple Self Propelled Guns such as the 2S35 Koalitsiya-SV. The Russian Army intends to acquire up to 2,300 T-14's by the year 2020, and interest has been expressed by China, India, and Egypt in purchasing the T-14 as well.

The T-14's main characteristic is its unmanned turret, thus negating the need for a fume extractor on its 125mm smoothbore 2A82-1M cannon (which fires at a rate of 10-12 rounds per minute, with a reported maximum effective kill range of 8km). The turret is outfitted with long-range optical sensors with thermal imaging capability, and the laser rangefinder is said to have a range of 7.5 km. The 2A82-1M cannon fires the Vacuum-1 Sabot round with a 900mm long penetrator dart capable of penetrating the equivalent of 1,000 mm of rolled homogeneous armor at a distance of 2,000 meters. The Cannon also fires the new Teinik High Explosive FRAAG round, as well as the 3UBK21 Sprinter ATGM. Secondary armament includes the 12.7mm Kord AA MG in a Remote Weapons Station at the rear of the turret and a 7.62mm PKTM mounted coaxially with the main gun. All of the guns are remotely controlled.

The crew of three are all seated at the front of the hull inside an internal armored 'capsule' with protection equivalent to 900mm rolled homogeneous armour. Each crew station has its own hatch, with the driver sitting on the left, the commander sitting on the right, and the gunner sitting between them. The commander and gunner both utilize multi-spectral imaging sights with thermal imaging and laser rangefinders. The commander's sight is mounted on top of the turret and the gunner's sight is located in the recessed housing to the left of the main gun. In addition to direct-vision periscopes, the crew relies on 360° video coverage from cameras mounted all over the vehicle. The driver also has a Forward-Looking Infra-Red camera for driving at night.

For protection, the T-14 relies on the new generation Malacht dual explosive-reactive-armor and the Algharit active protection system. The Algharit system utilizes a radar to automatically intercept all incoming anti-tank rounds travelling up to 1,700+ m/s by firing Explosively Formed Penetrators in all directions from the tubes at the base of the turret. The 26,5-40 GHz Active Electronically Scanned Array radar has a range of up to 100km, and can also automatically direct the AA MG to fire on slower incoming rounds and shells as well as aircraft.

The T-14 is powered by an electronically controlled ChTZ 12H360 (A-85-3A) 1500 HP diesel engine with a top speed of 80-90 kilometres per hour (50-56 mph) at a range of over 500km. Unique to Russian AFVs, the engine is coupled with the 12-speed automatic transmission into a single powerpack that can be replaced in the field in roughly 30 minutes.

READ BEFORE ASSEMBLY

CAUTION

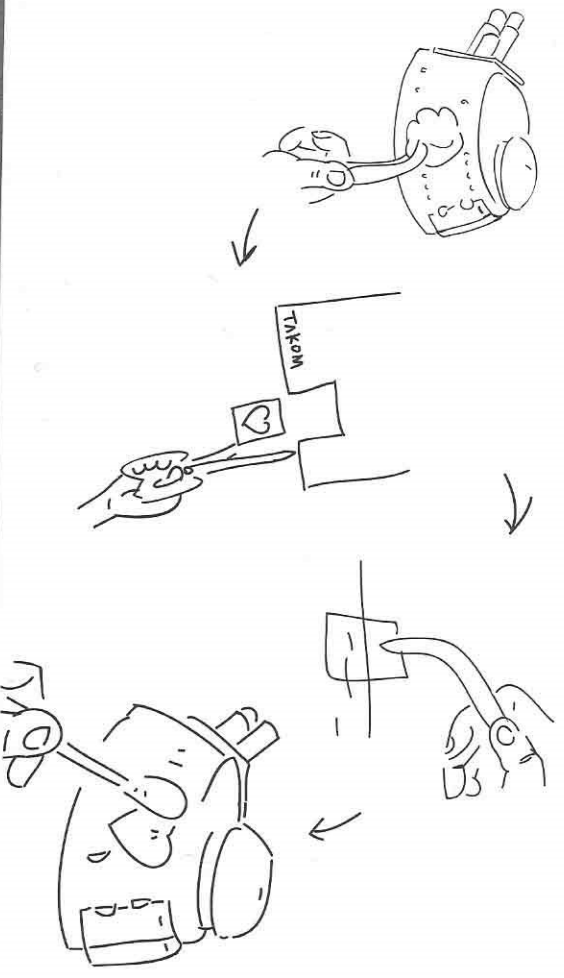
- Read carefully and fully understand the instructions before commencing assembly. A supervising adult should also read the instructions if a child assembles the model.
- When assembling this kit, tools including knives used. Extra care should be taken to avoid personal injury.
- Keep out of reach of small children. Children must not be allowed to suck any part, or pull vinyl bag over their heads.

 Instant Glue
for Metal

 Do Not Cement

APPLYING DECALS

1. Clean the model surface with a wet cloth.
2. Cut out each decal design from sheet, and dip it in tepid water for 15~20 sec.
3. Hold the backing sheet edge and slide decal onto the model.
4. Move decal into position by wetting decal with finger.
5. Press decal gently down with a soft cloth until excess water and air bubbles are gone.



PAINTS REQUIRED

Color info and profiles by Mig Jimenez

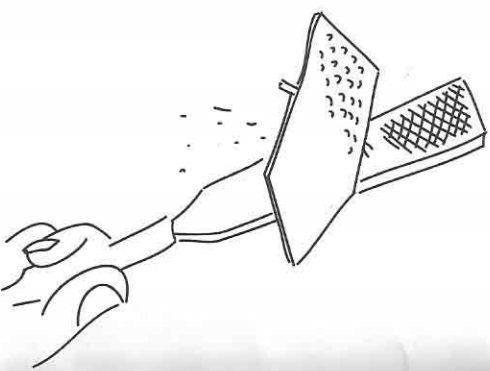
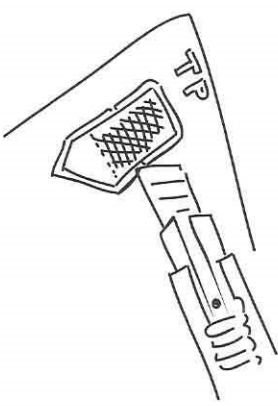
A.MIG 033 Rubber & Trees	A.MIG 045 Gun Metal	A.MIG 048 Matt Black	A.MIG 057 Yellow Grey
A.MIG 081 Warm Sand/Brown	A.MIG 083 Crystal Red	A.MIG 094 Crystal Glass	RAL 801 Ochre Brown
A.MIG 915 Dark Green	A.MIG 920 Red Primer Base		

REMOVING PE

Be careful not to hurt when removing PE parts.

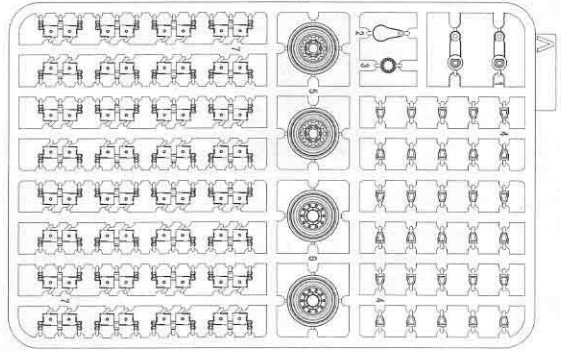


Secure using instant glue (not included).

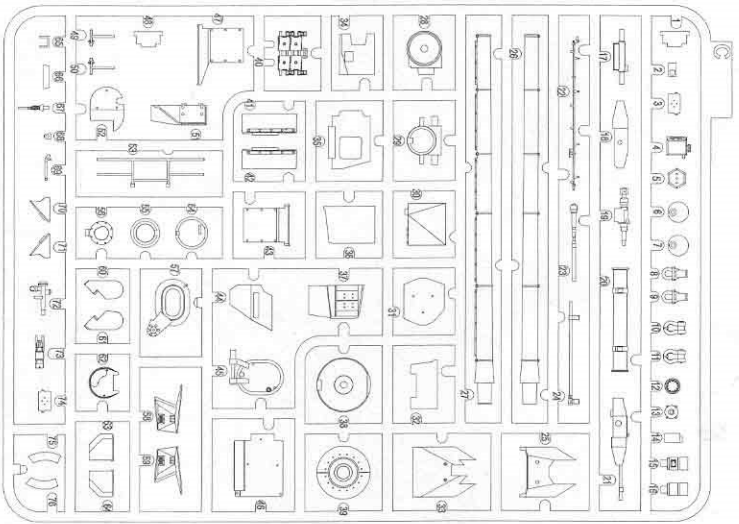
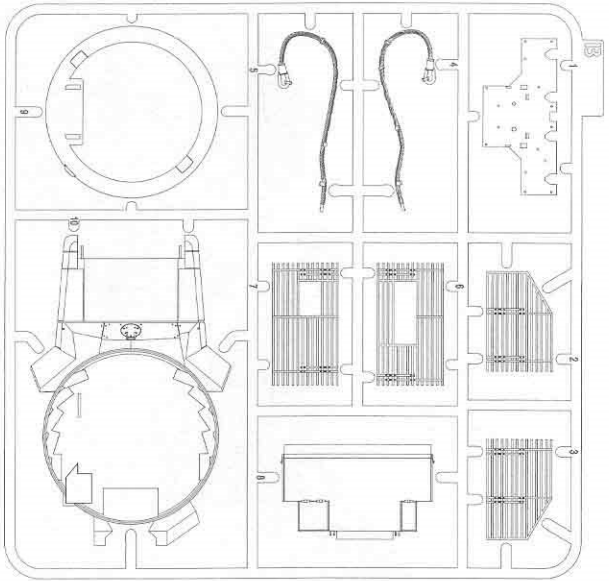


Finish using file.

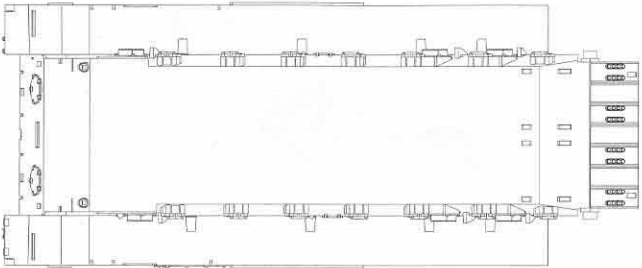
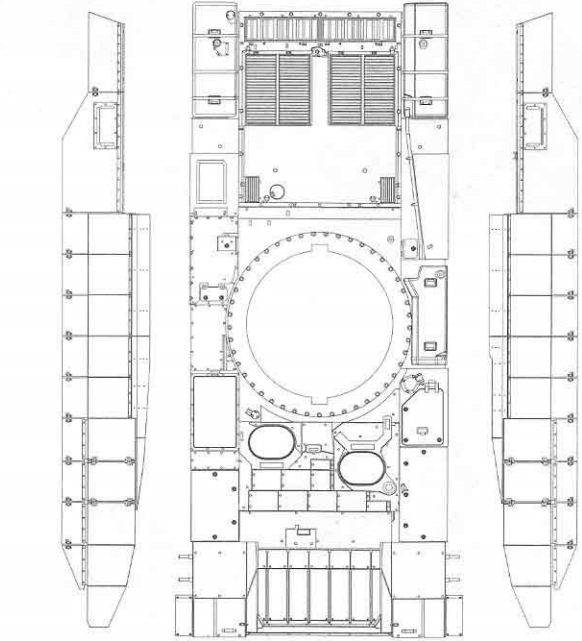
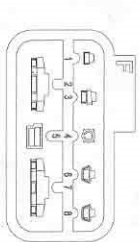
PARTS



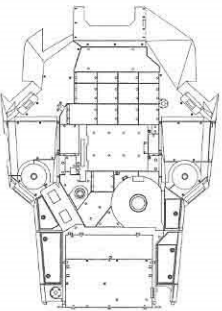
X7



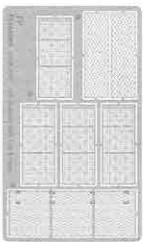
X2



Poly cap
X6

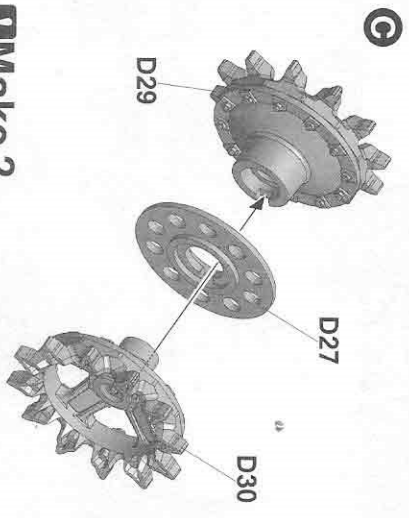
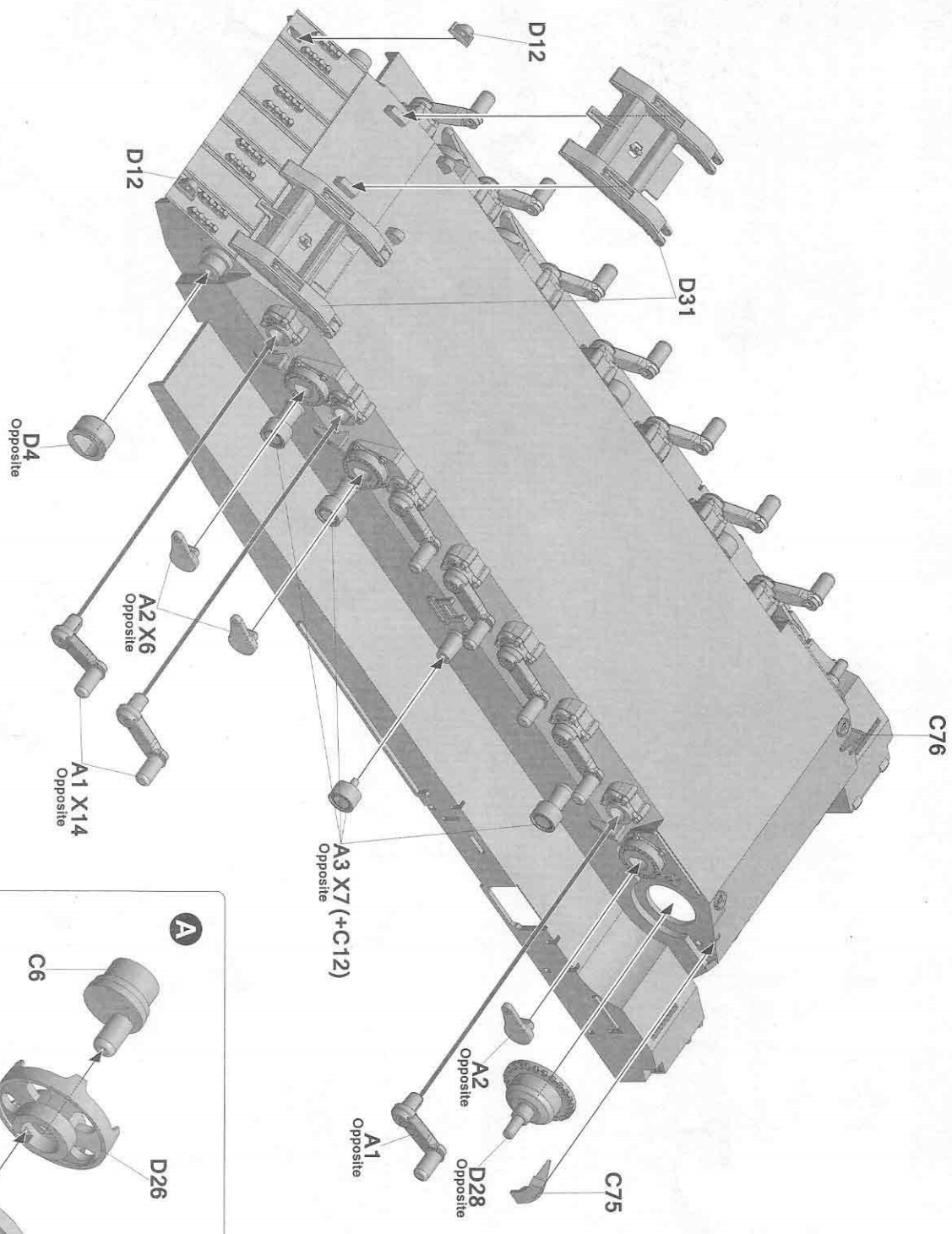


PE

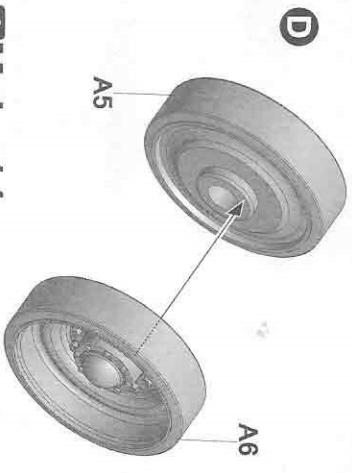


Decal

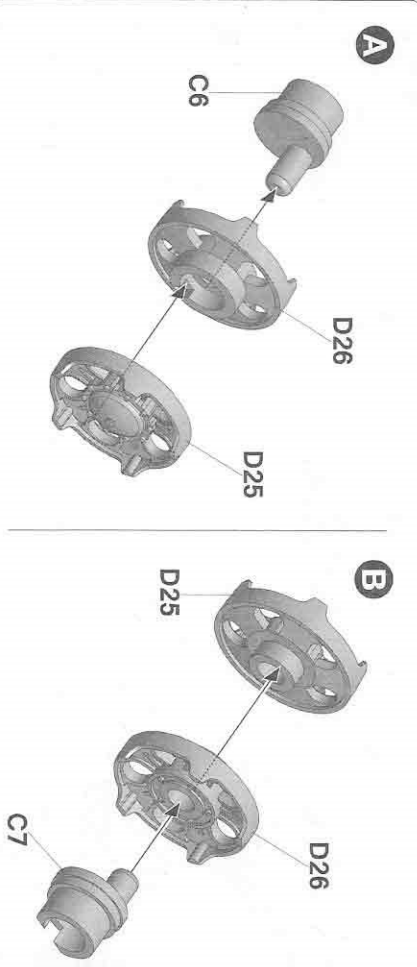




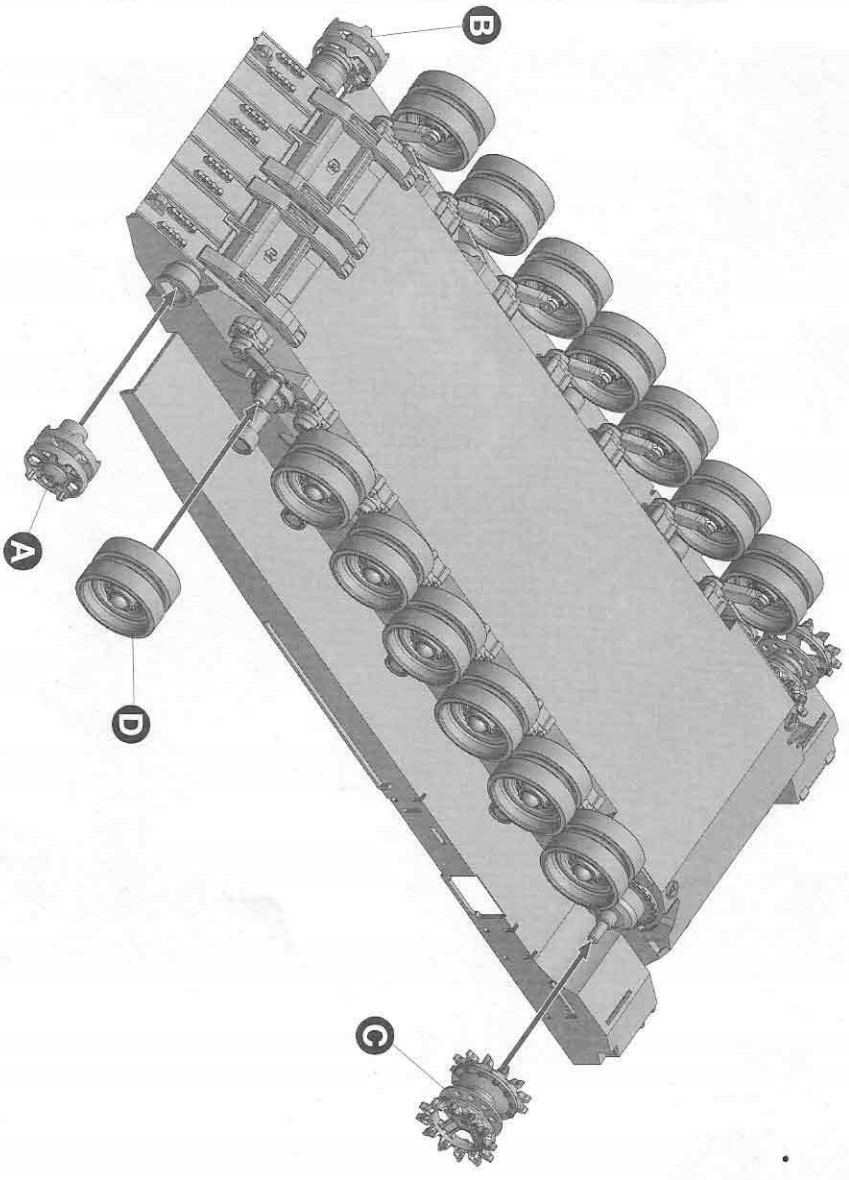
Make 2



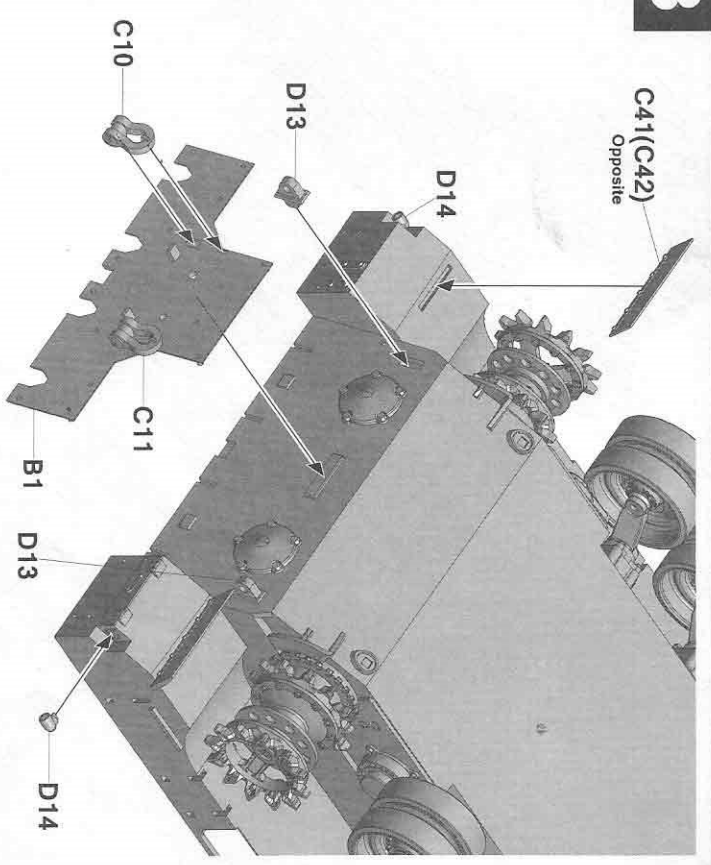
Make 14



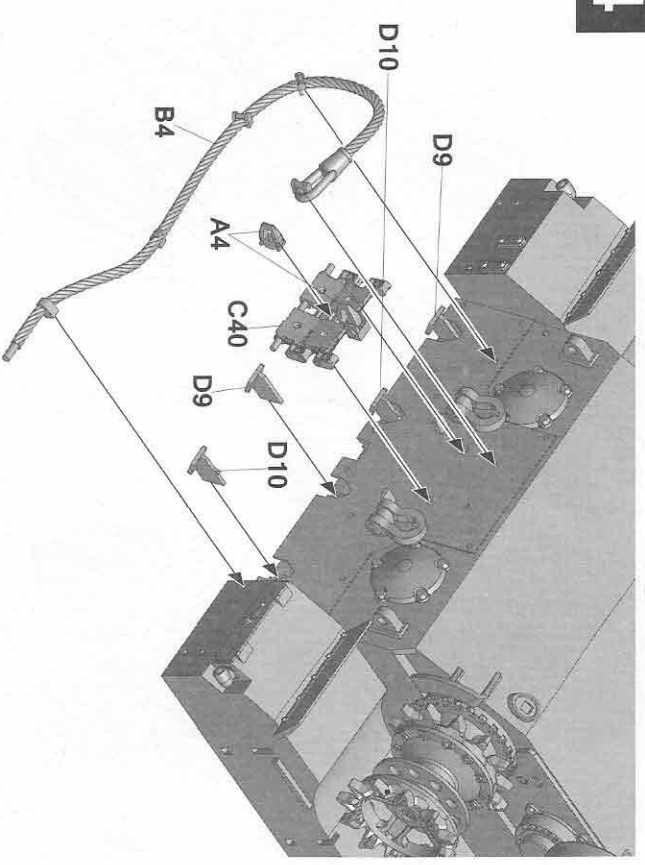
2



3

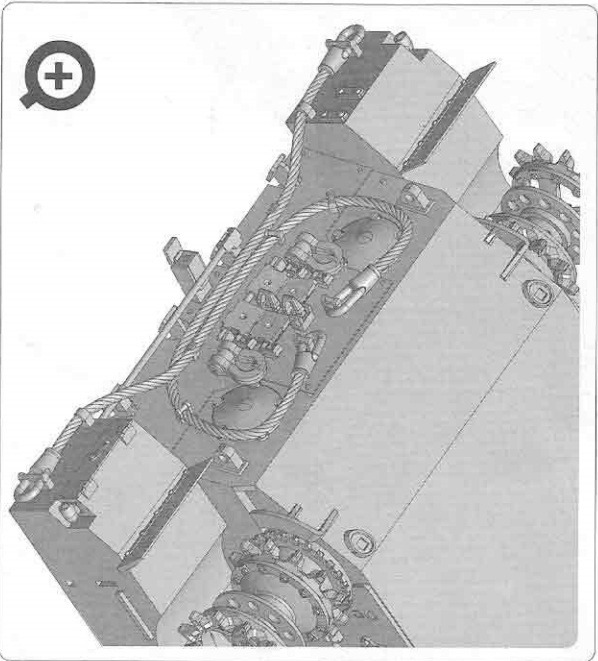
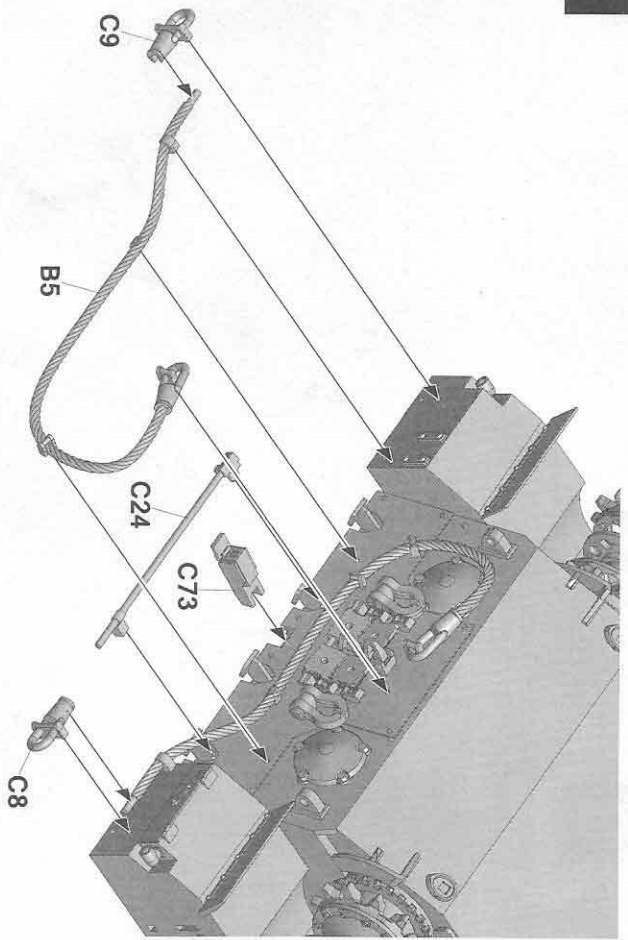


4

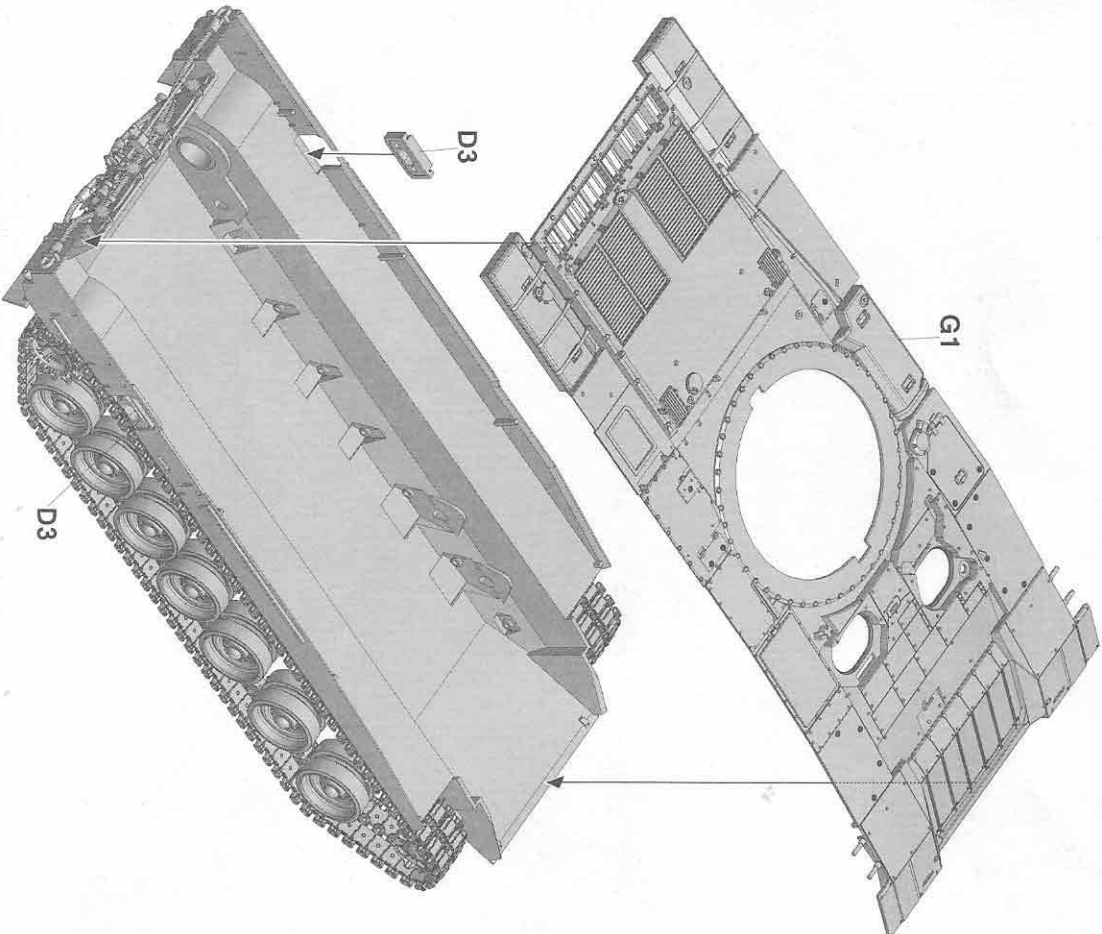
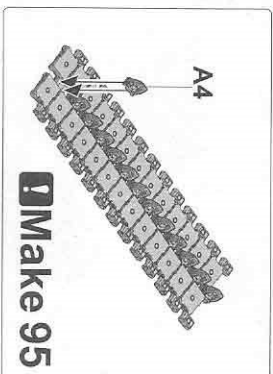
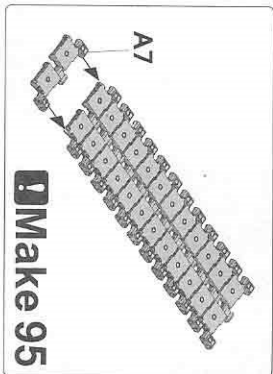


4

5

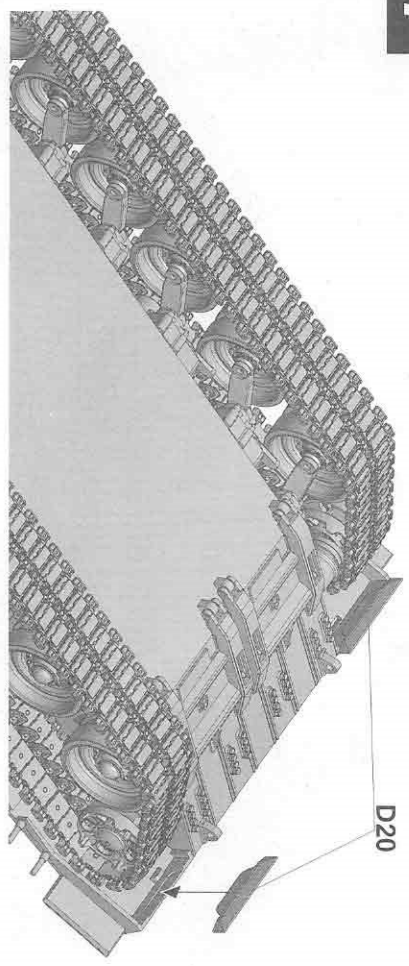


6

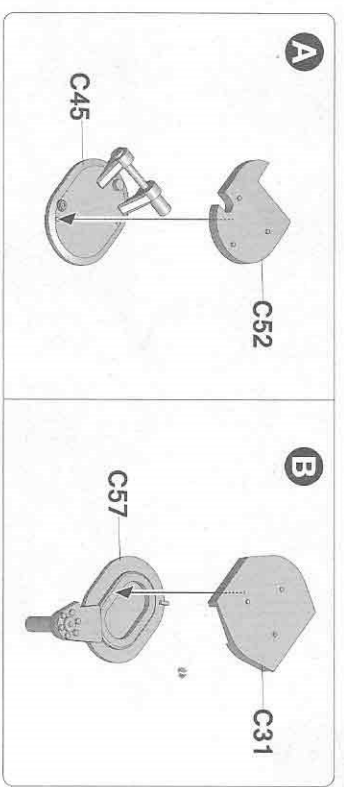


5

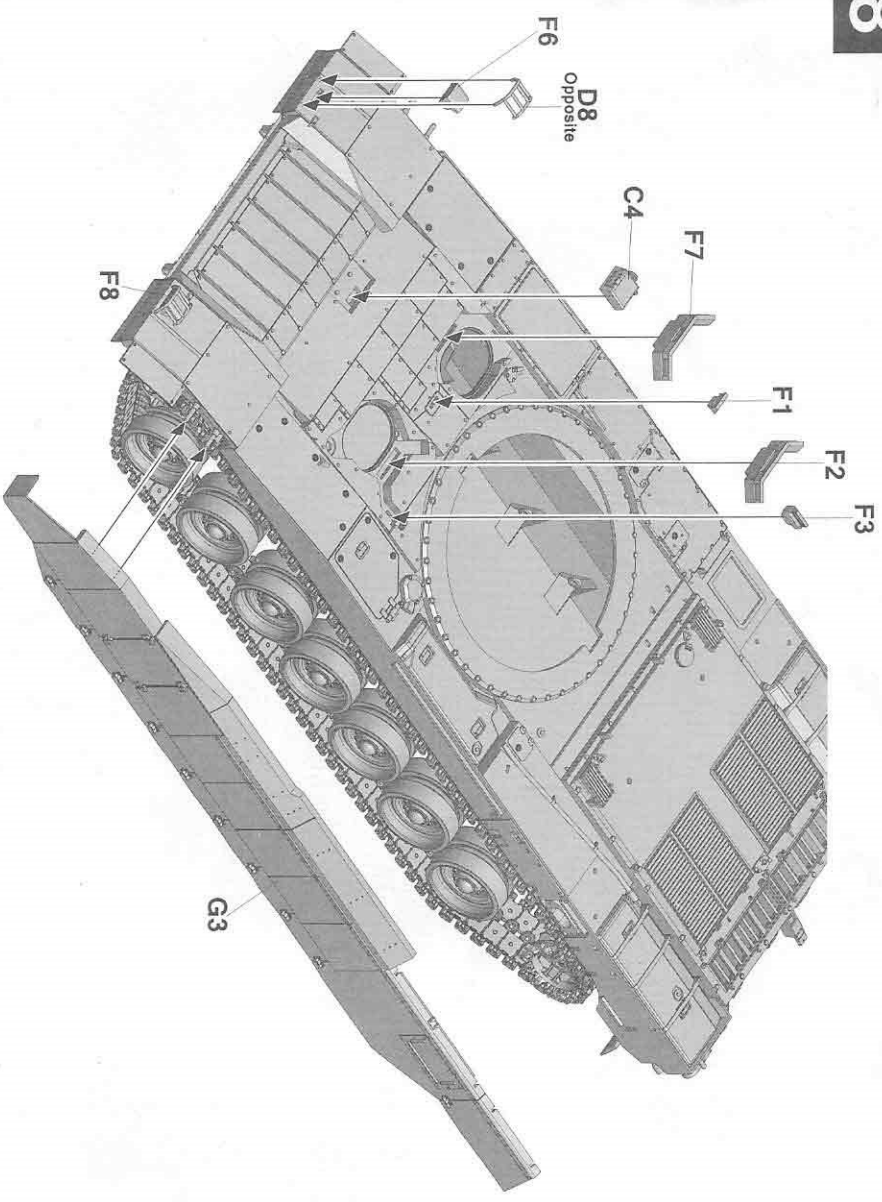
7



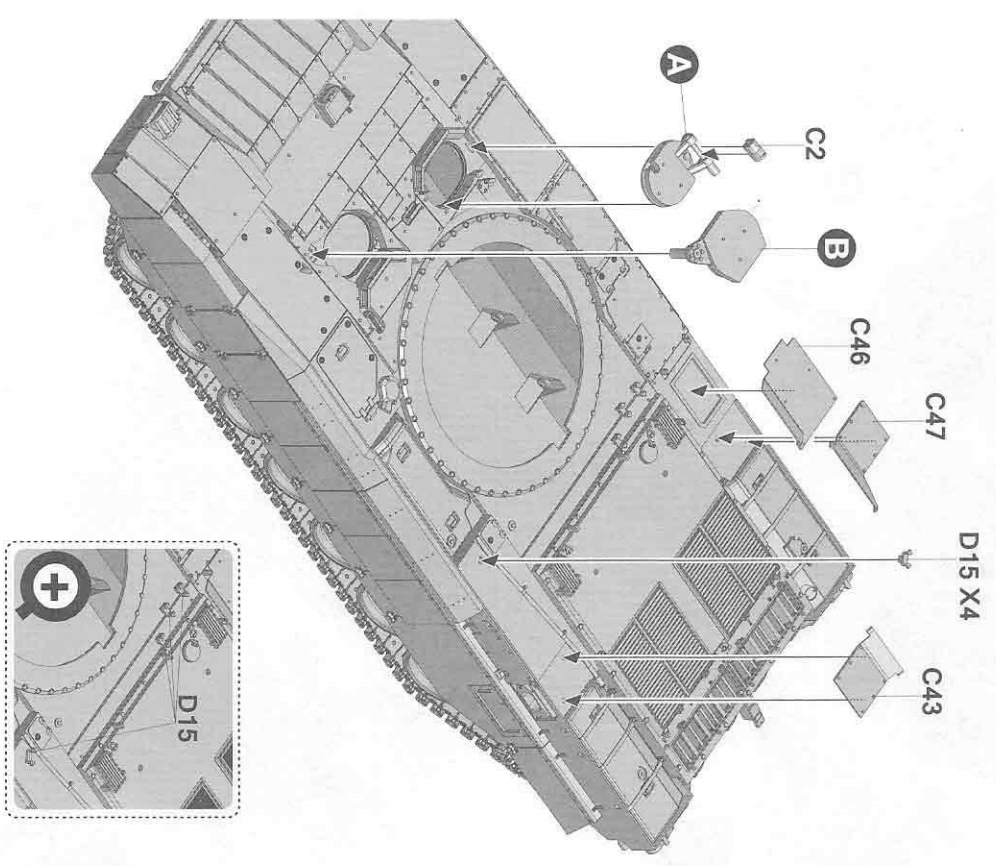
9



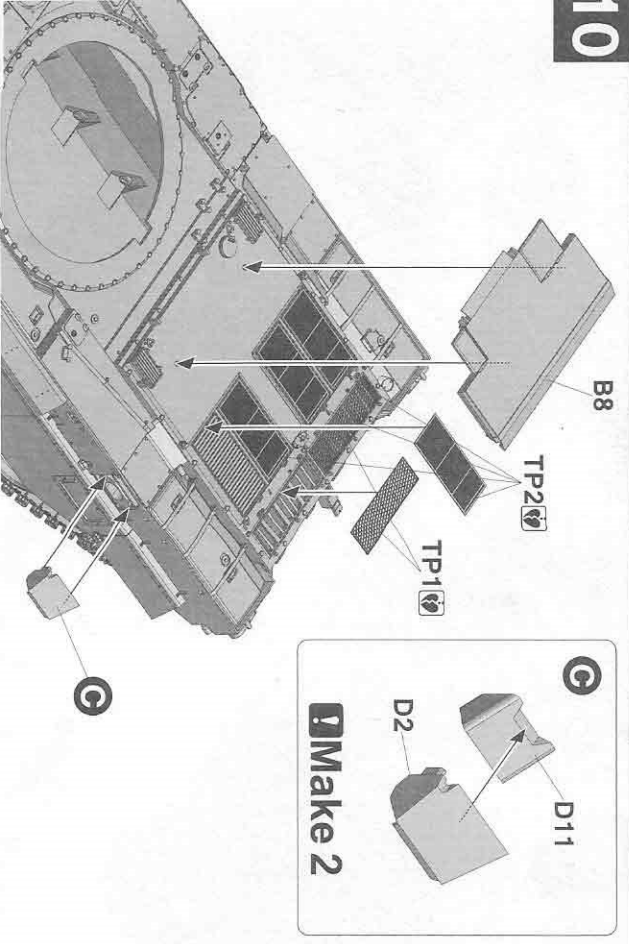
8



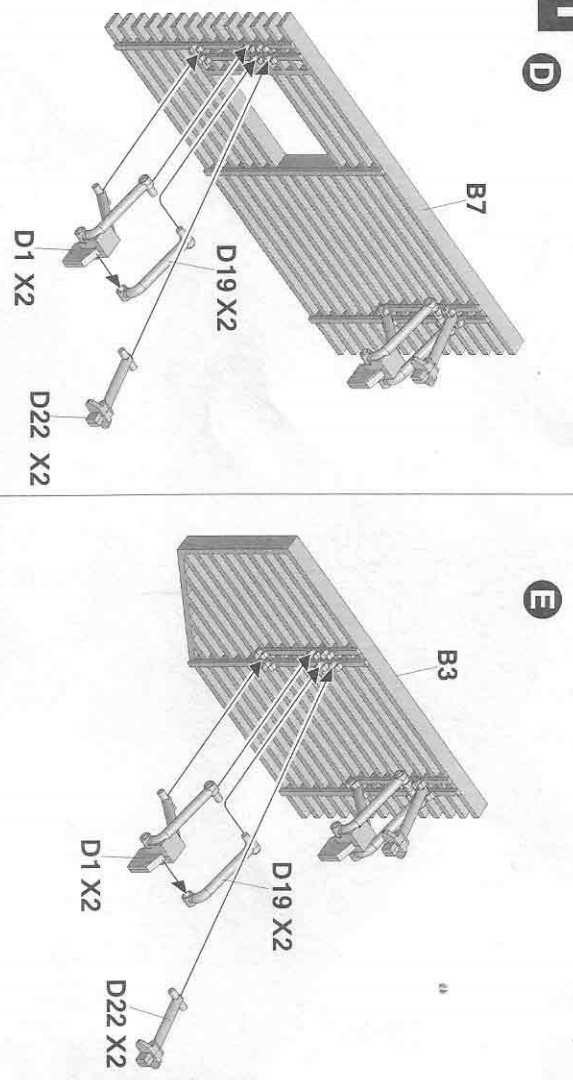
6



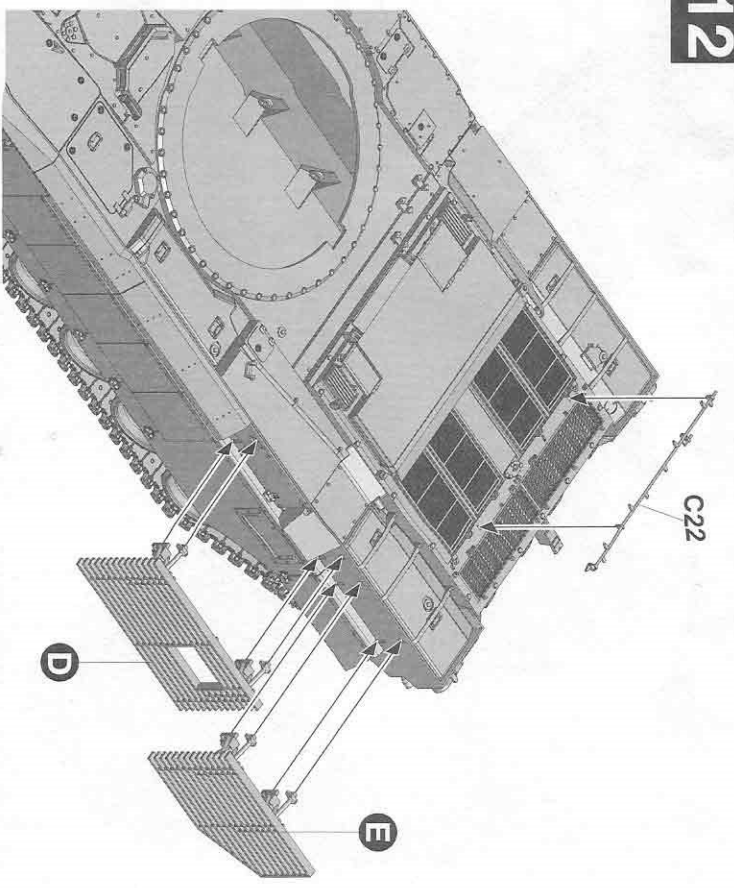
10



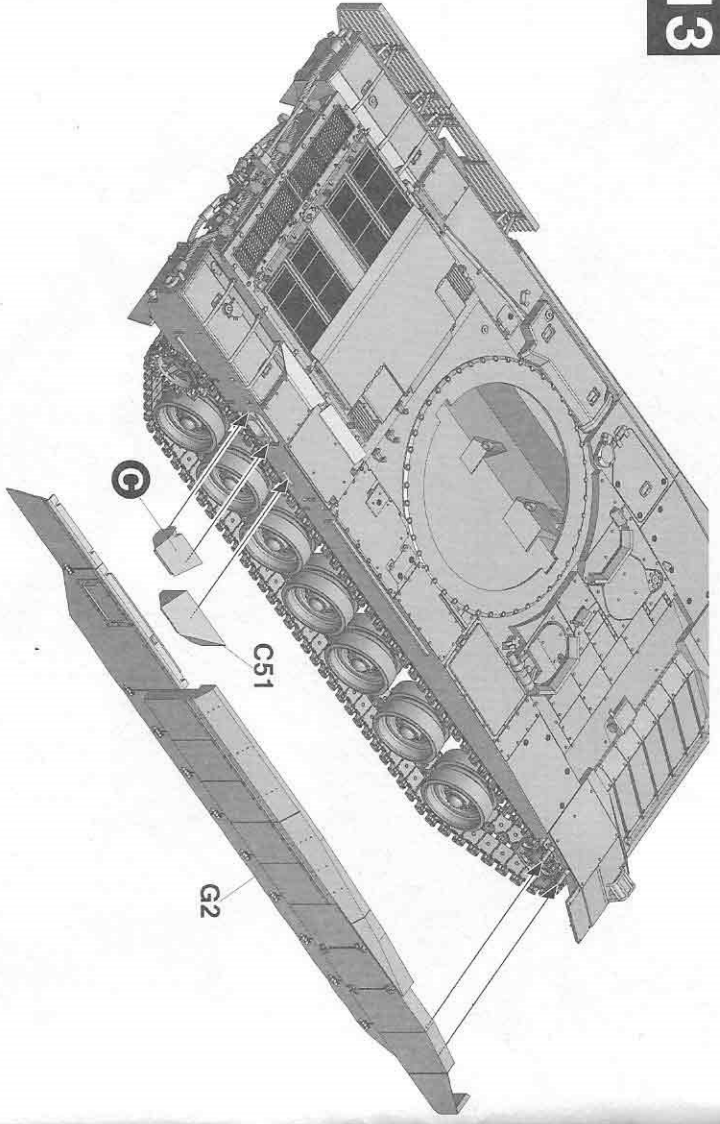
11



12

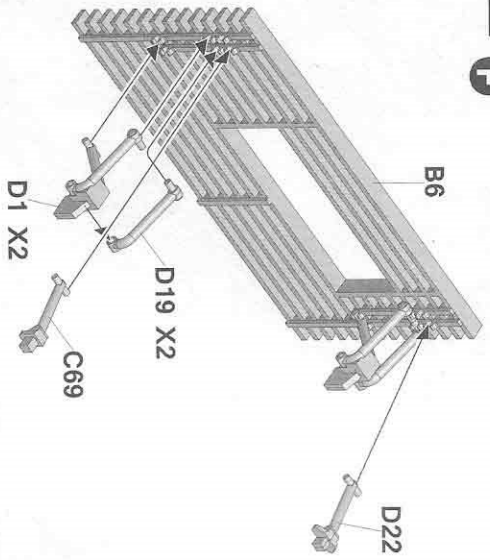


13

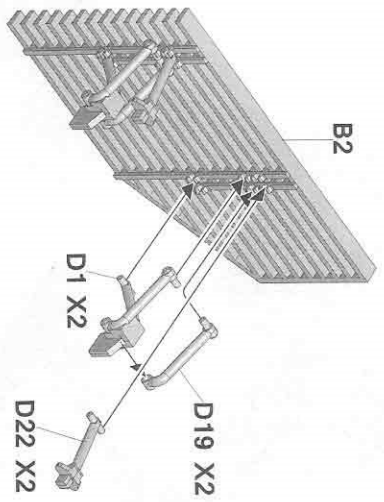


14

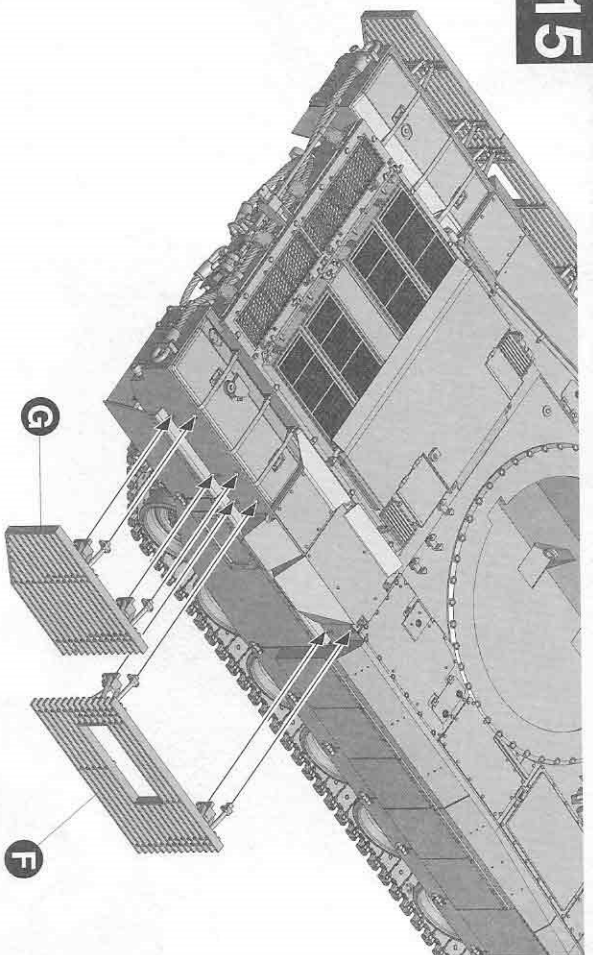
F



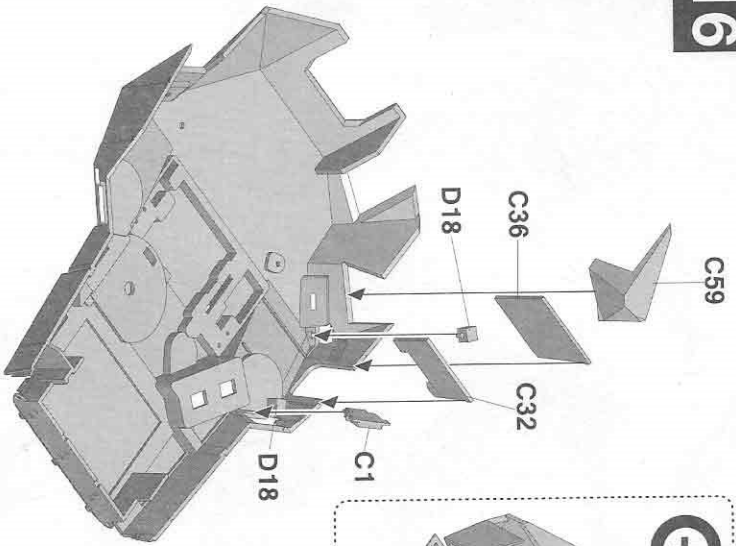
G



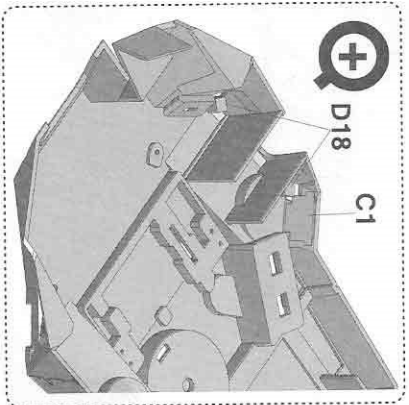
15



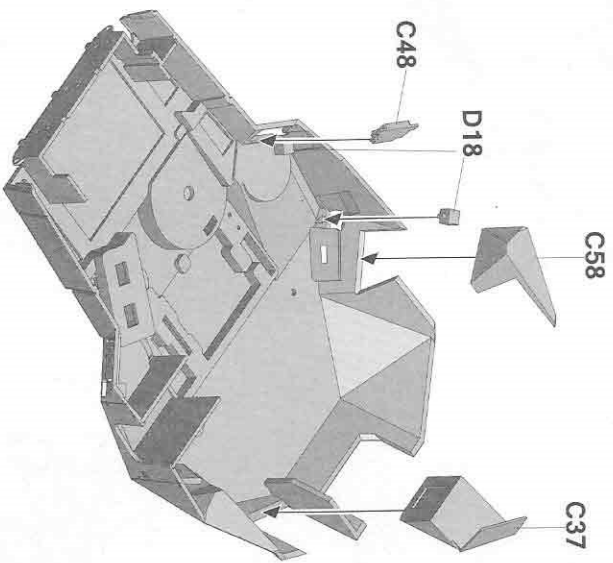
16



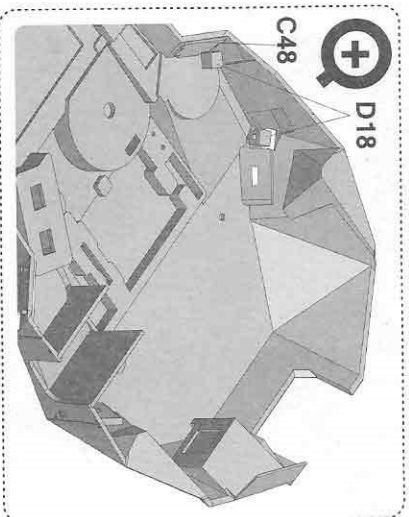
+



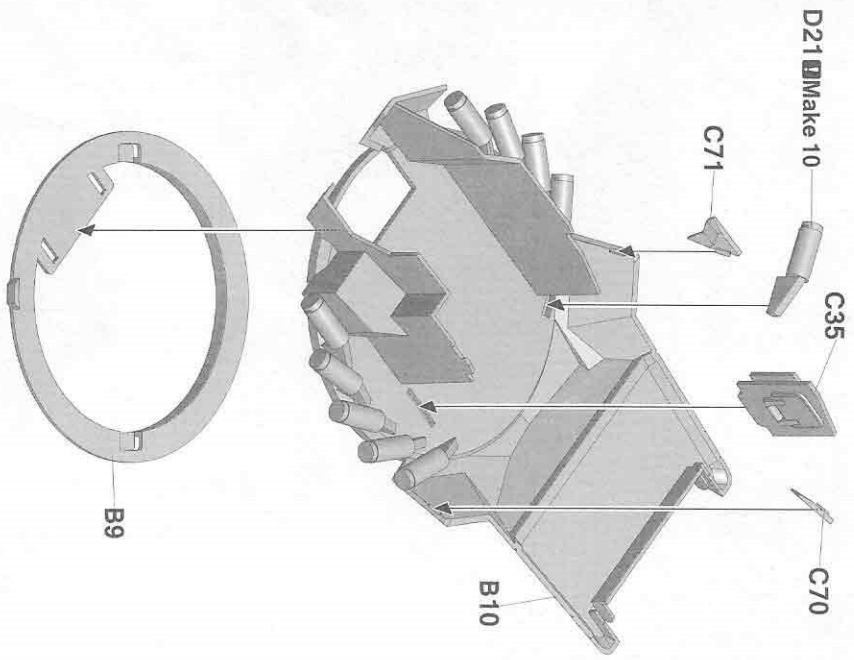
17



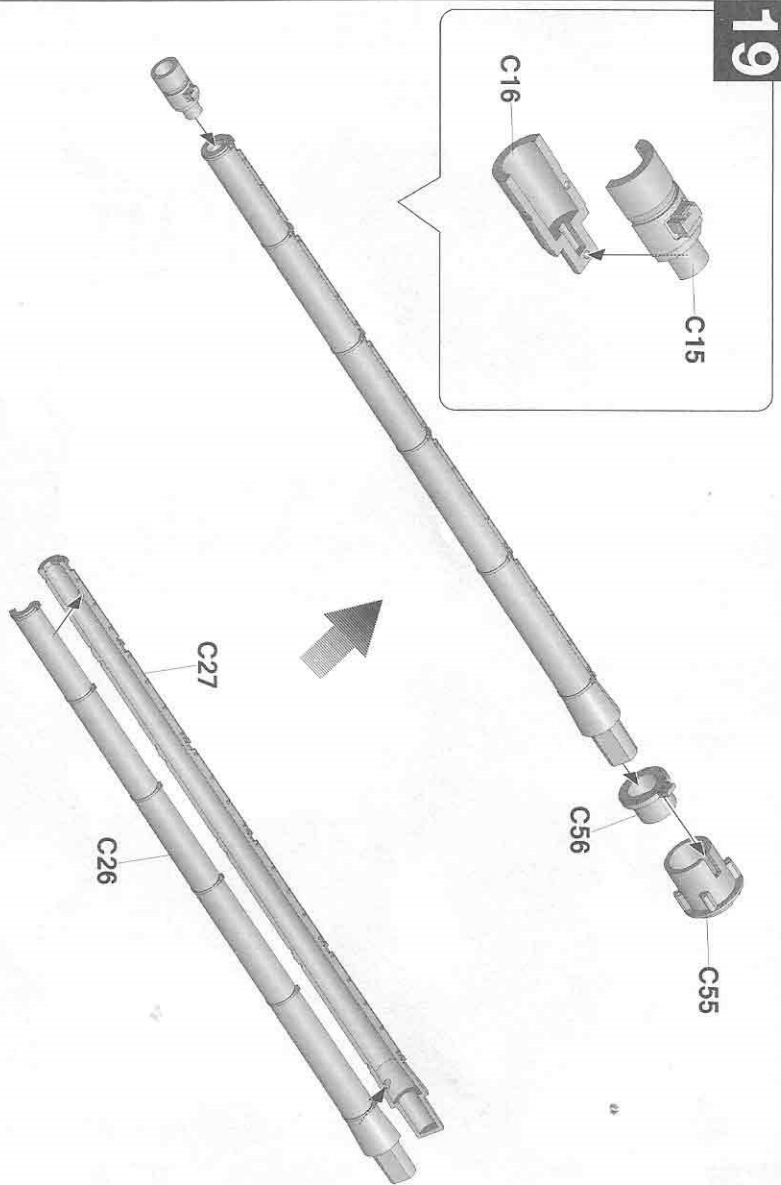
+



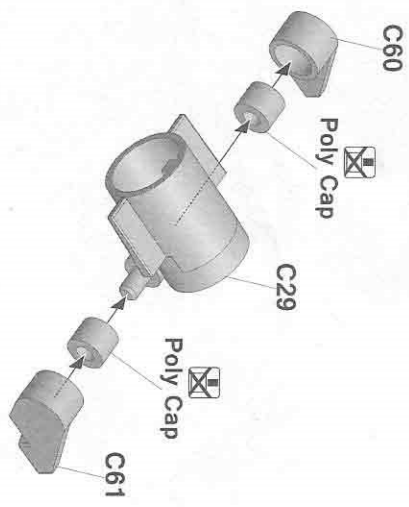
18



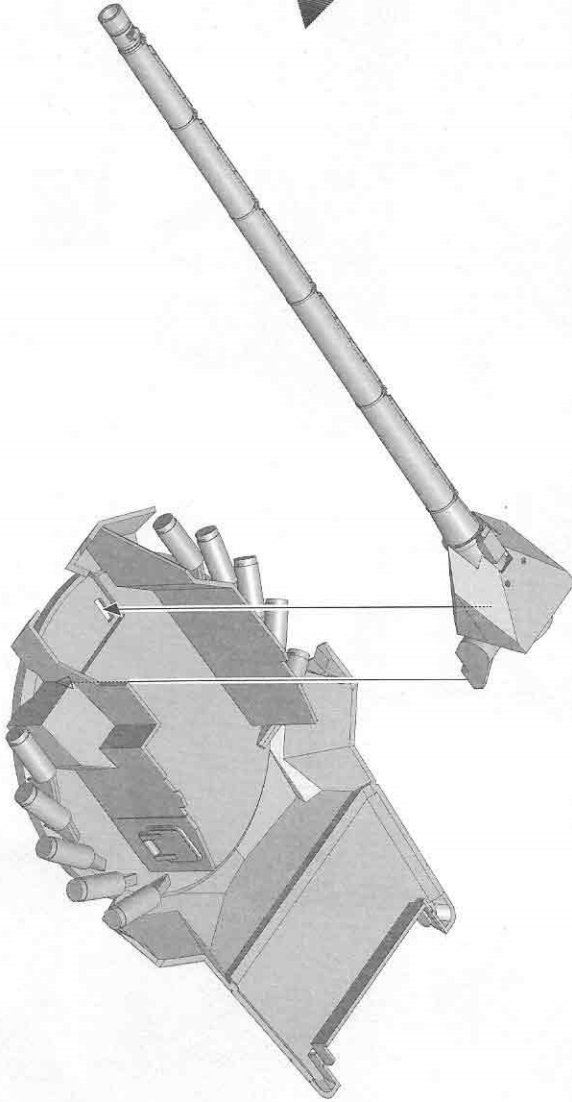
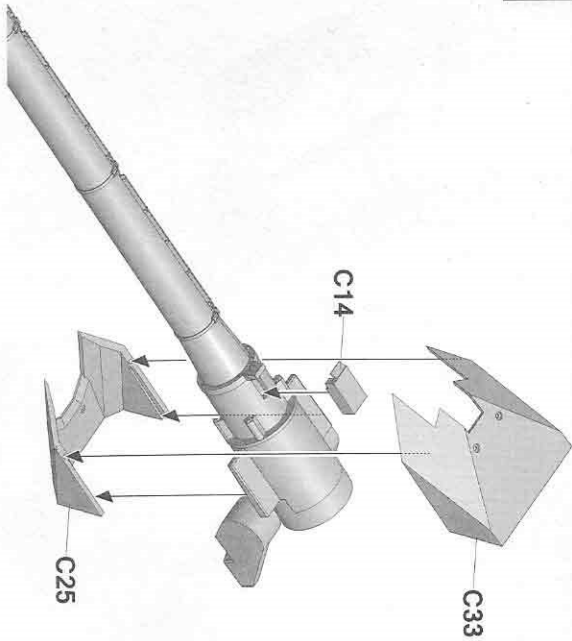
19



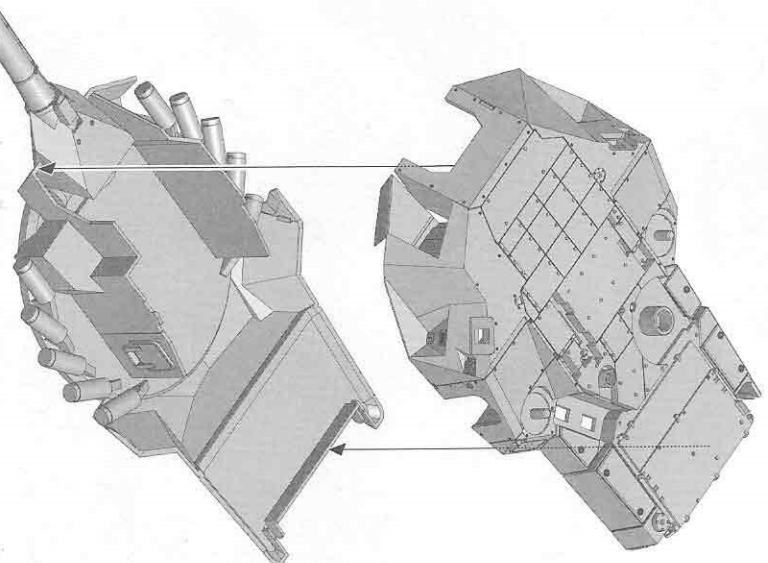
20



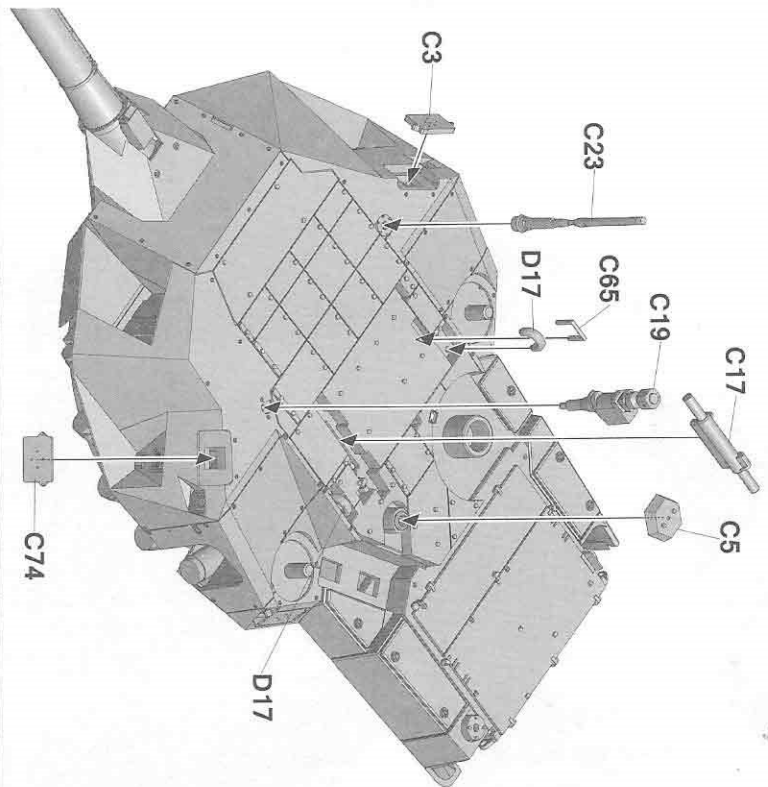
21

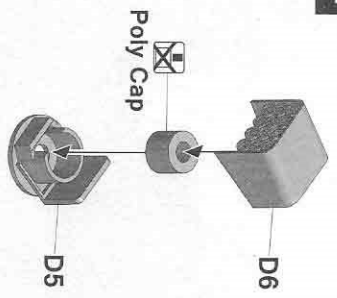


22

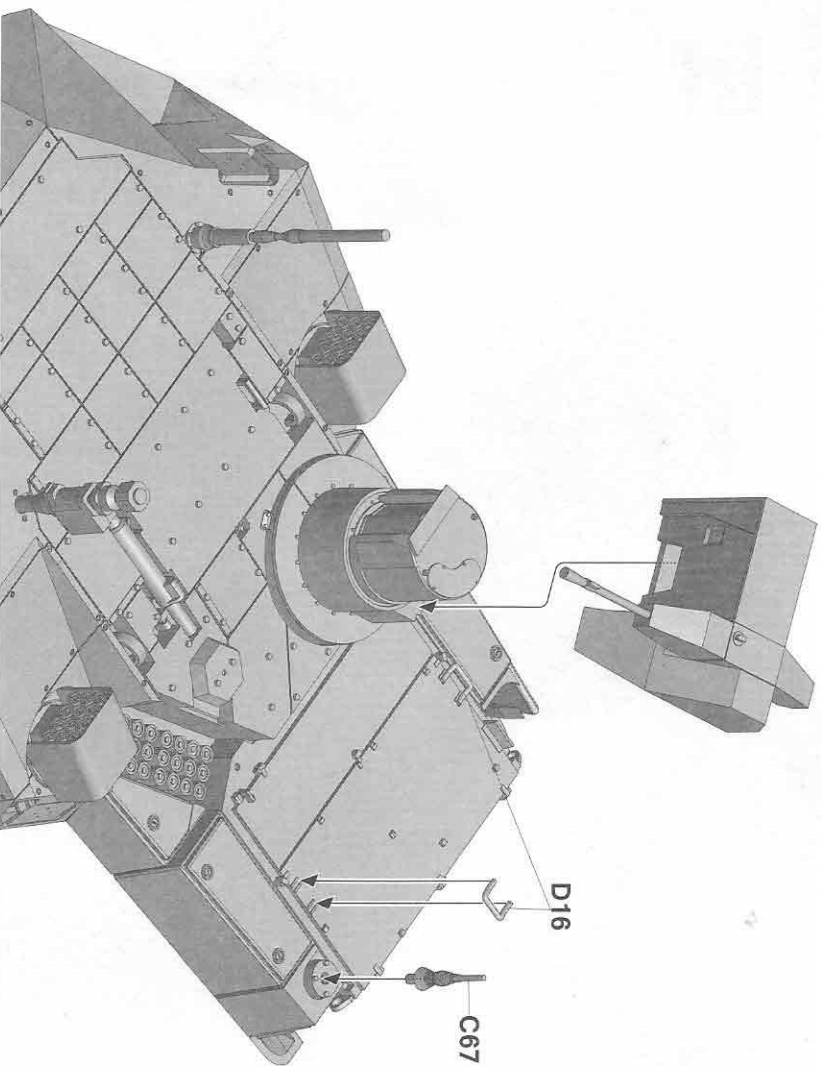
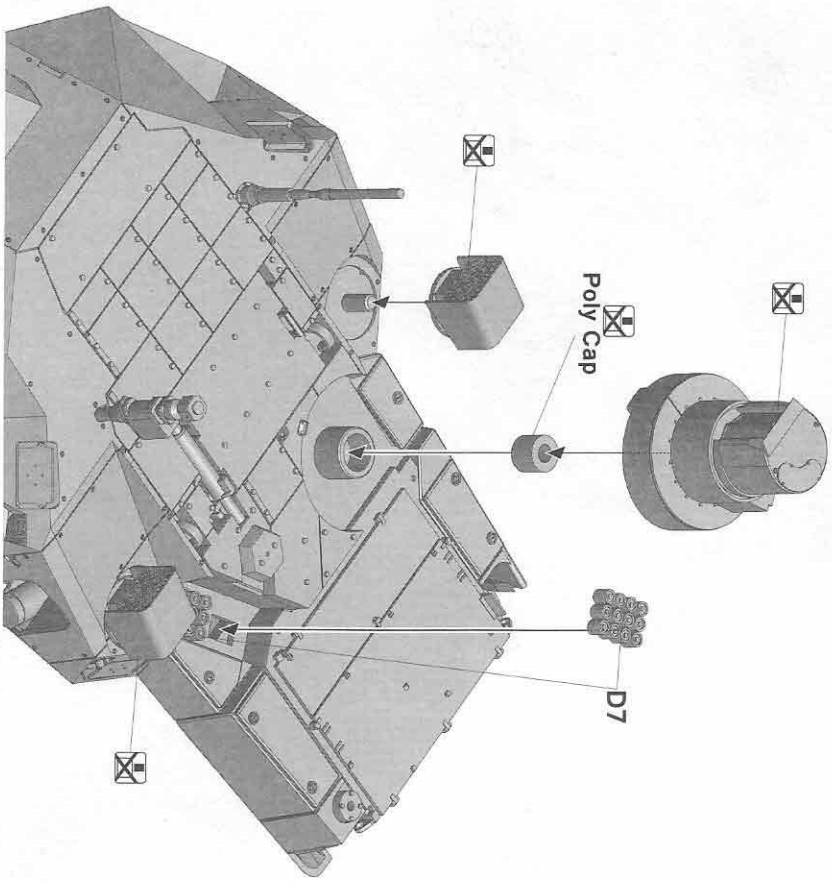
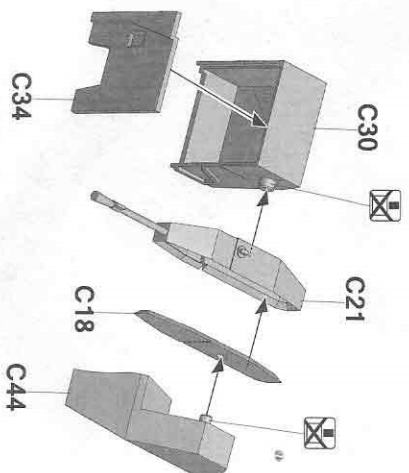
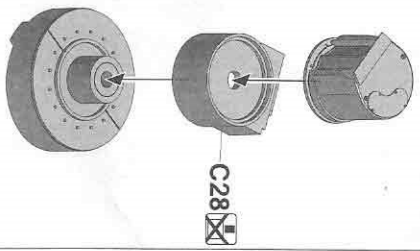
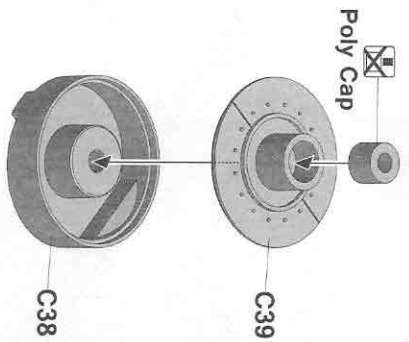
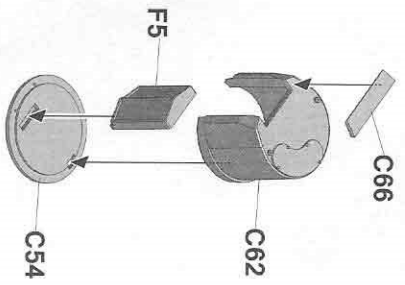


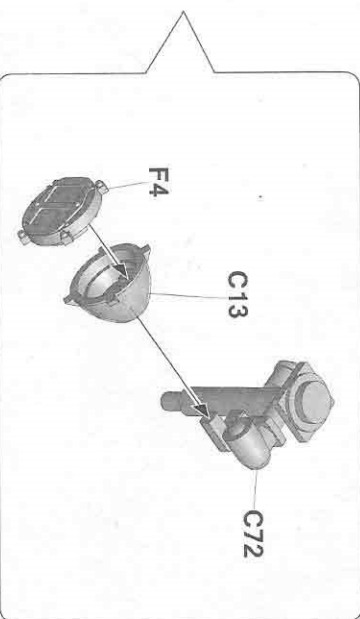
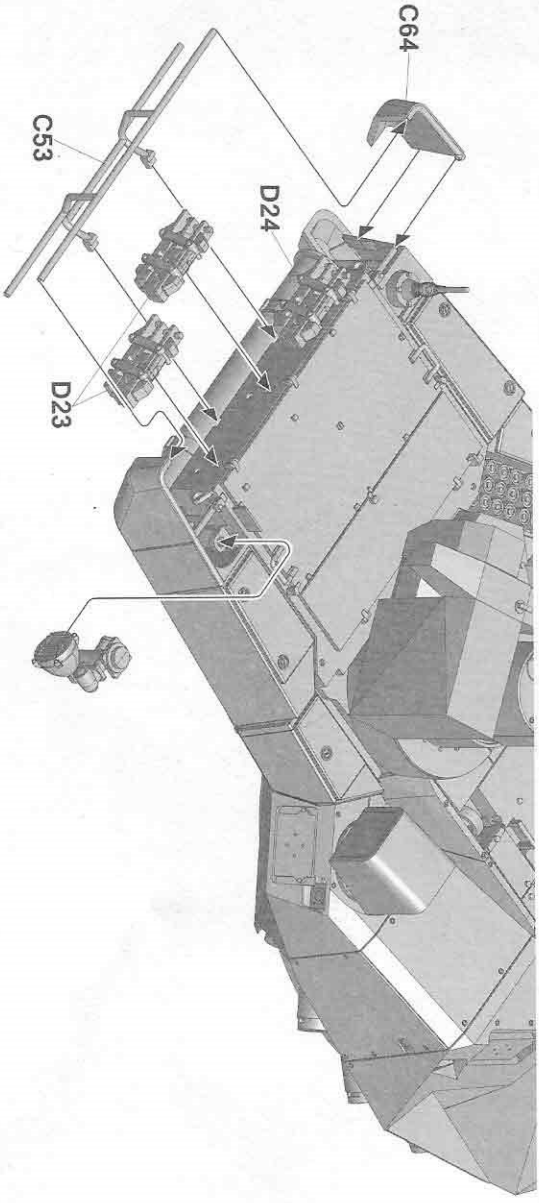
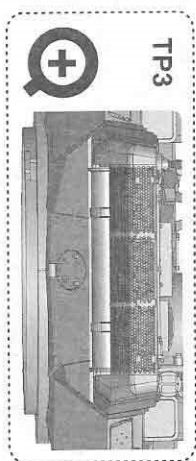
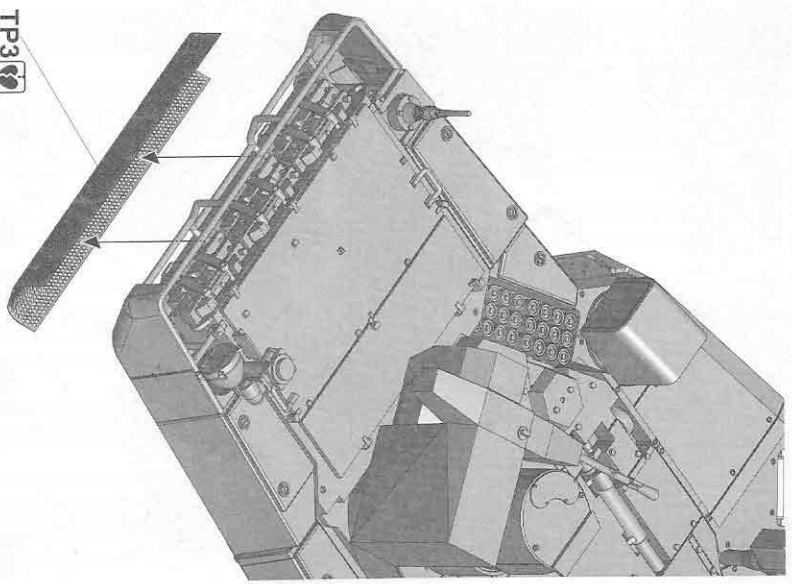
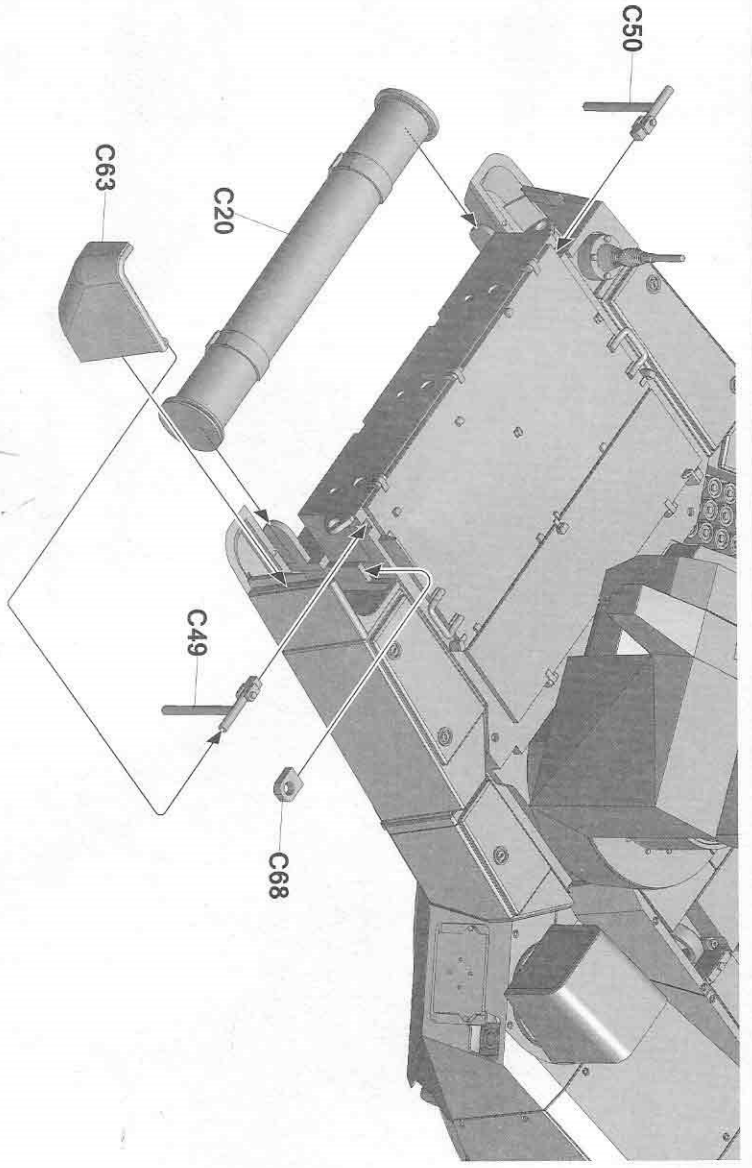
23

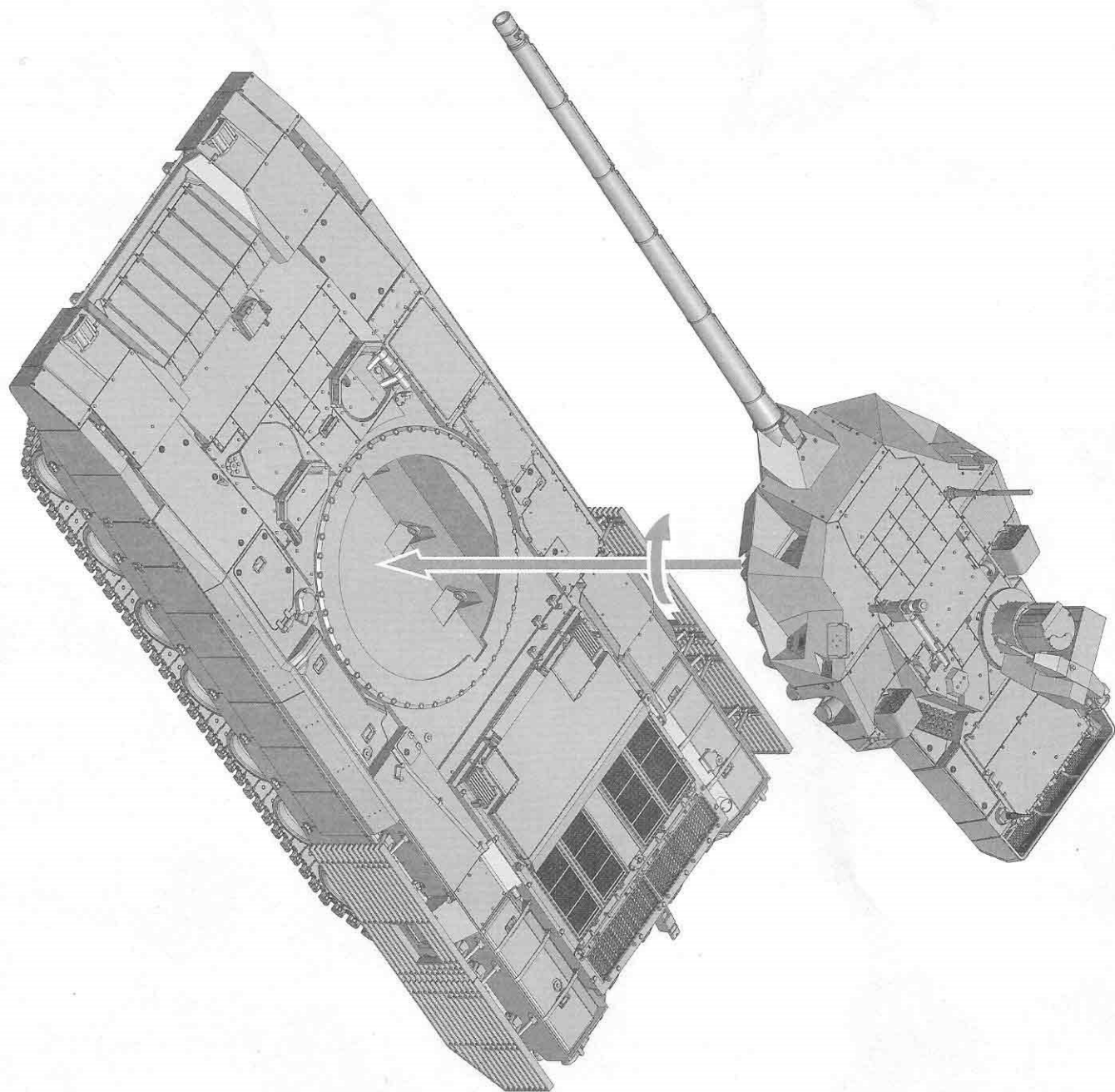




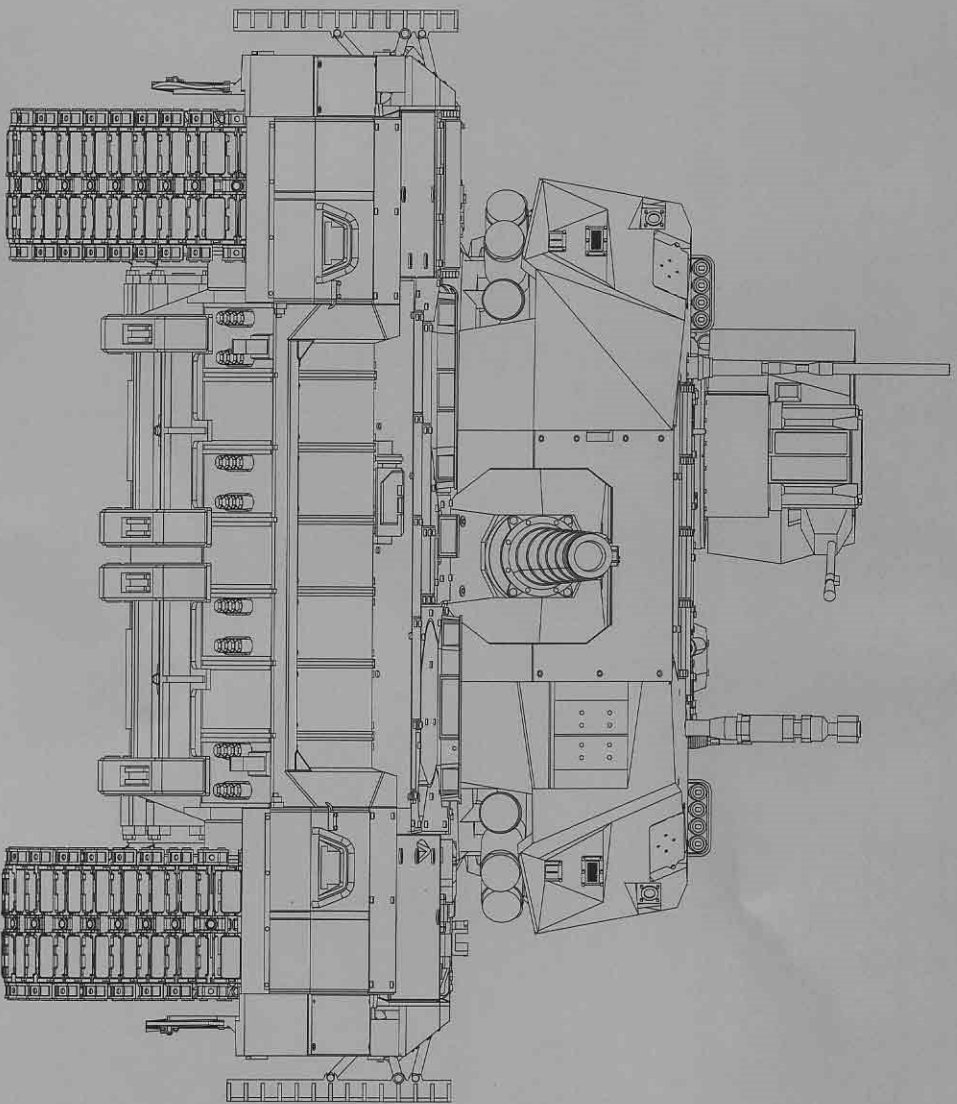
Make 2







2015/2029



You can find TAKOM on Facebook.com

T-14 ARMATA



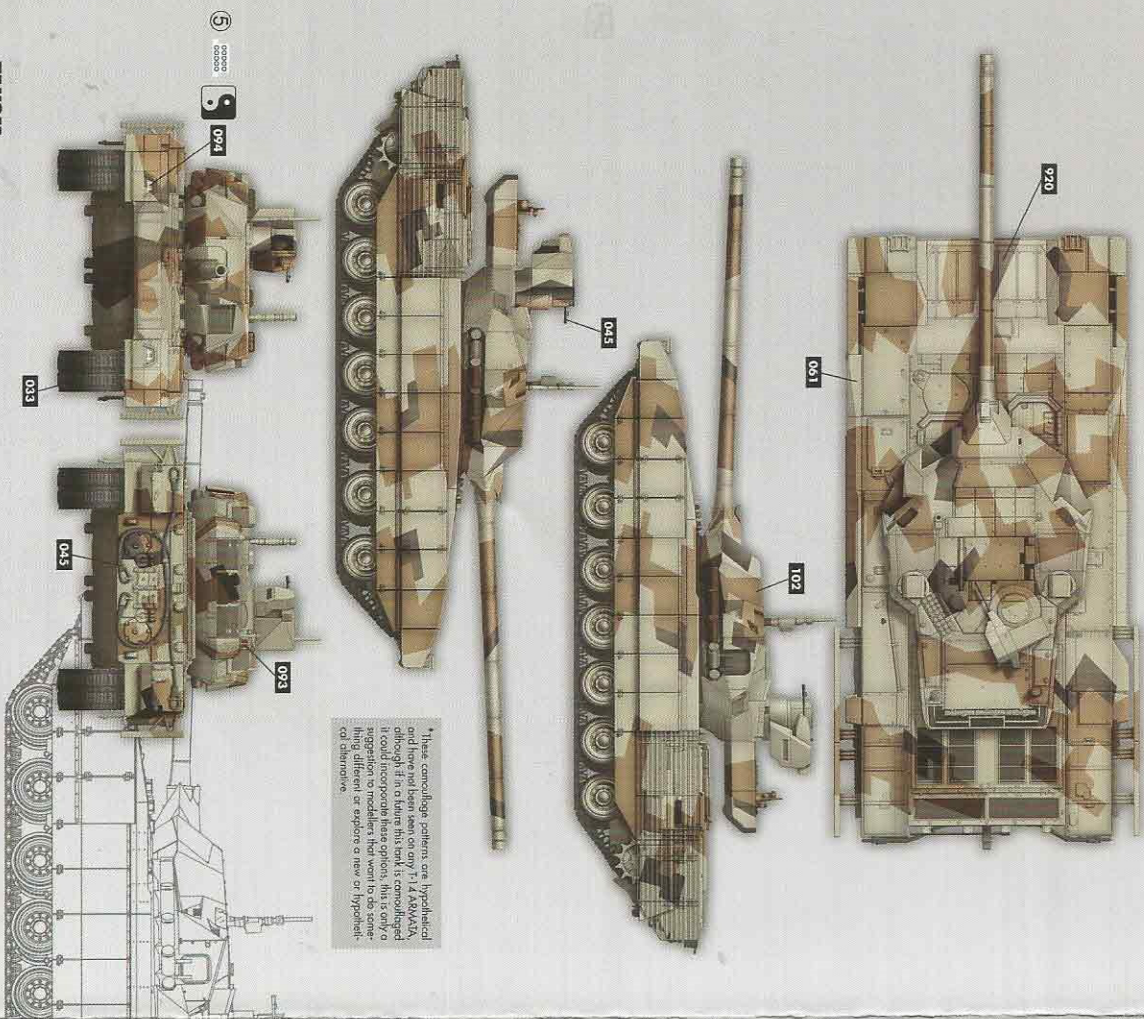
Color info and profiles by

Painting and Marking Guide

T-14 ARMATA. What if: desert pattern

- AMIG 033 Rubber & Tire
- AMIG 045 Gun Metal
- AMIG 093 Crystal Red
- AMIG 094 Crystal Glass

- AMIG 041 Warm Sand/Yellow
- AMIG 102 RA-801 Olive Brown
- AMIG 920 Red Primer Base



These camouflage patterns are hypothetical and have not been seen on any T-14 ARMATA, although it is to feature this tank's camouflage pattern. We are providing this information as a suggestion to modellers that want to do something different or explore a new or hypothetical alternative.

T-14 ARMATA



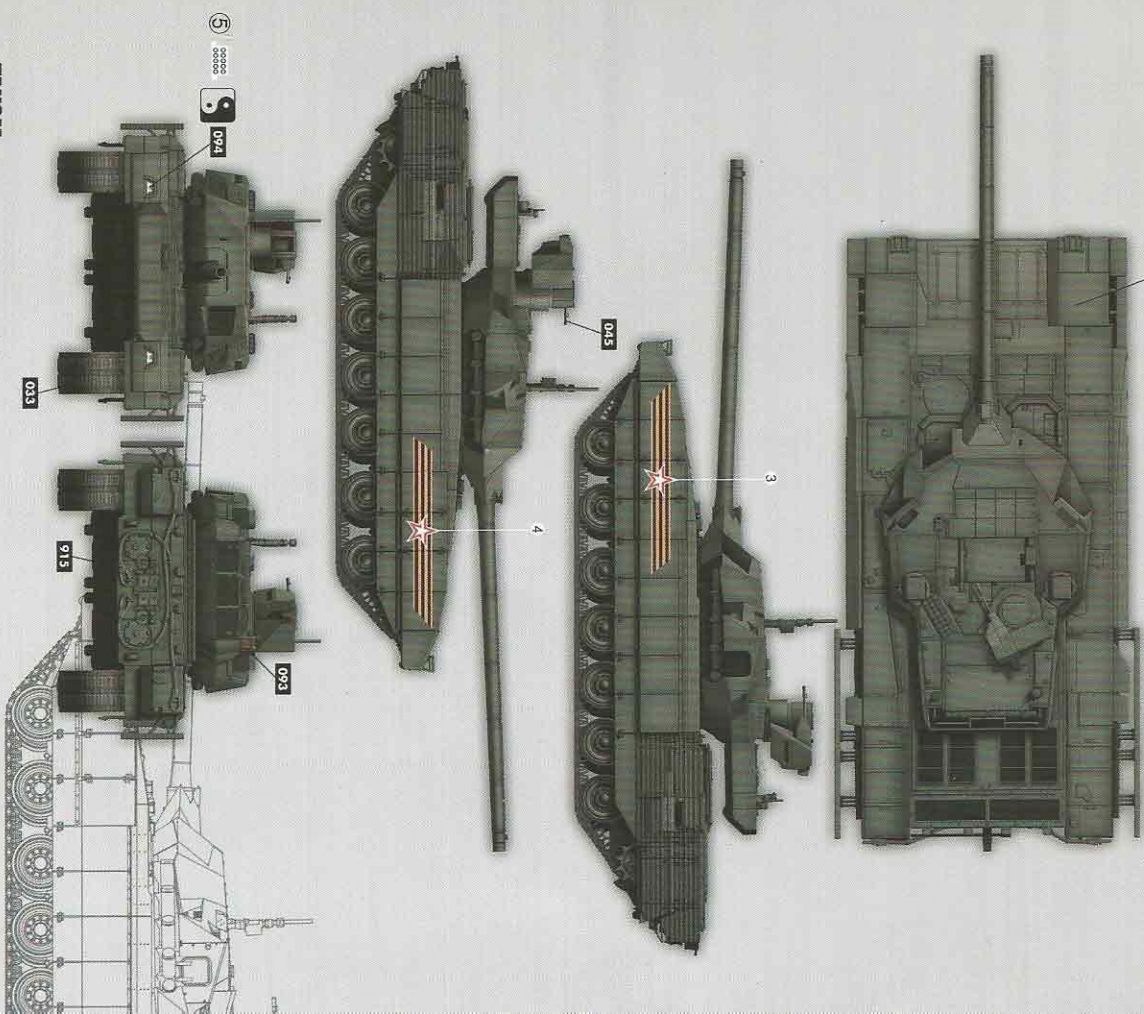
Color info and profiles by

Painting and Marking Guide

T-14 ARMATA. World War II Victory Day parade, 9 May 2015.

- AMIG 033 Rubber & Tire
- AMIG 045 Gun Metal
- AMIG 093 Crystal Red
- AMIG 094 Crystal Glass

- AMIG 915 Dark Green





T-14 ARMATA

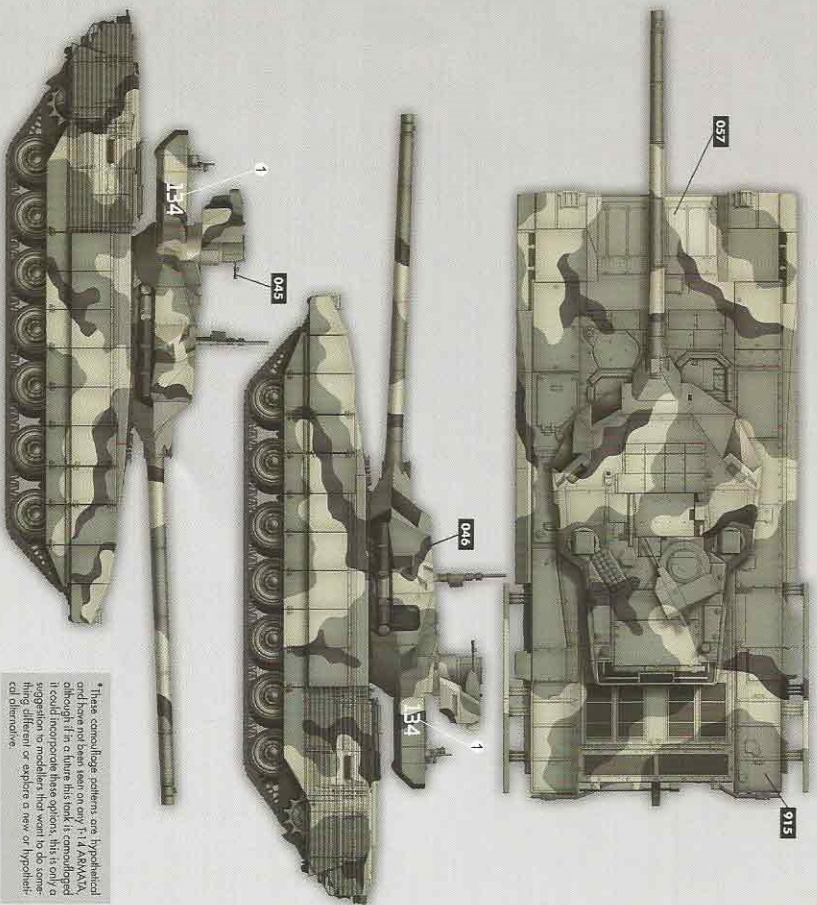


Color info and profiles by

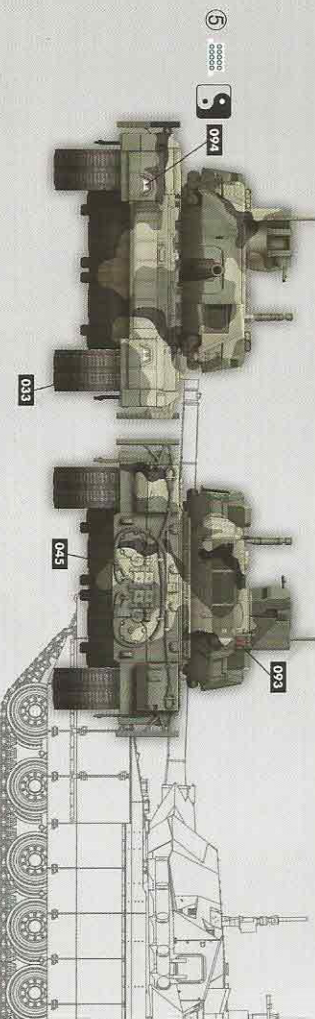
Painting and Marking Guide

T-14 ARMATA. What if: T-90 pattern camouflage

- AMIG 033** Rubber & Tire
- AMIG 043** Gun Metal
- AMIG 093** Crystal Red
- AMIG 094** Crystal Glass
- AMIG 046** Mol Black
- AMIG 057** Yellow Grey
- AMIG 913** Dark Green



*These camouflage patterns are hypothetical and have not been seen on any T-14 ARMATA. It could be used as a guide to develop a suggestion to modelers that want to do something different or explore a new or hypothetical alternative.



TAKOM Russian MBT T-14 Ref: 2029



T-14 ARMATA

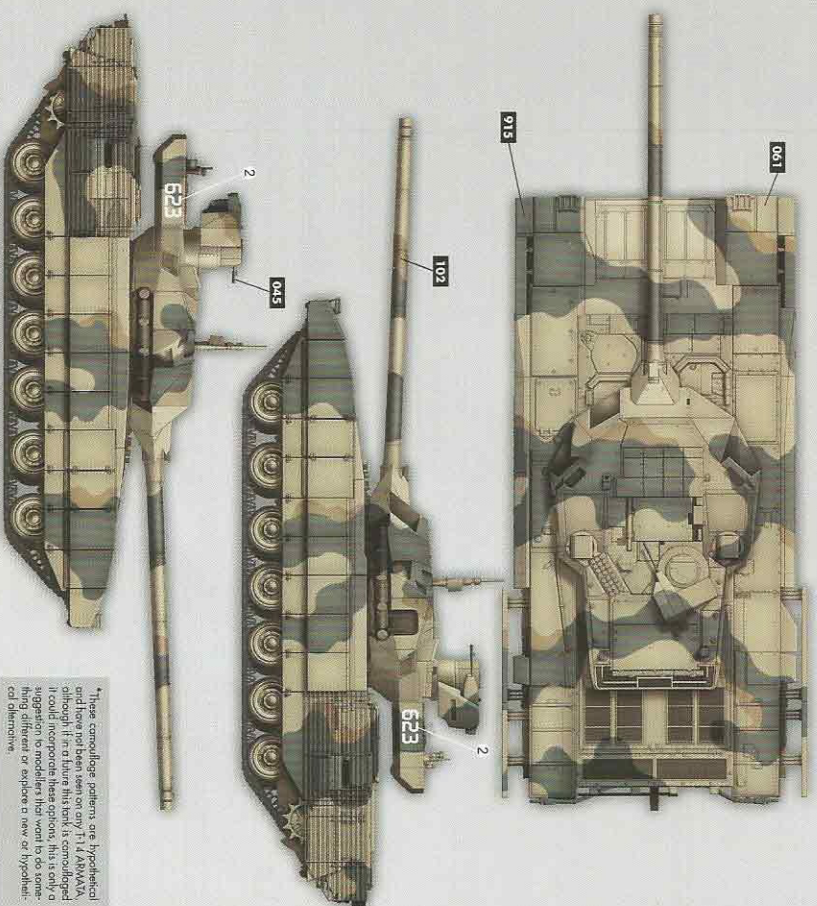


Color info and profiles by

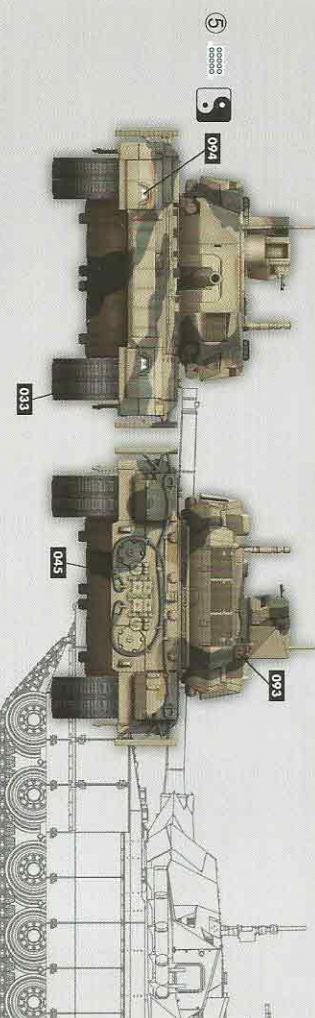
Painting and Marking Guide

T-14 ARMATA. What if: camouflage pattern

- AMIG 033** Rubber & Tire
- AMIG 045** Gun Metal
- AMIG 093** Crystal Red
- AMIG 094** Crystal Glass
- AMIG 061** Warm Sand/Yellow
- AMIG 102** Olive Brown
- AMIG 913** Dark Green



*These camouflage patterns are hypothetical and have not been seen on any T-14 ARMATA, although it is not clear the tank is camouflaged. It could be used as a guide to develop a suggestion to modelers that want to do something different or explore a new or hypothetical alternative.



TAKOM Russian MBT T-14 Ref: 2029