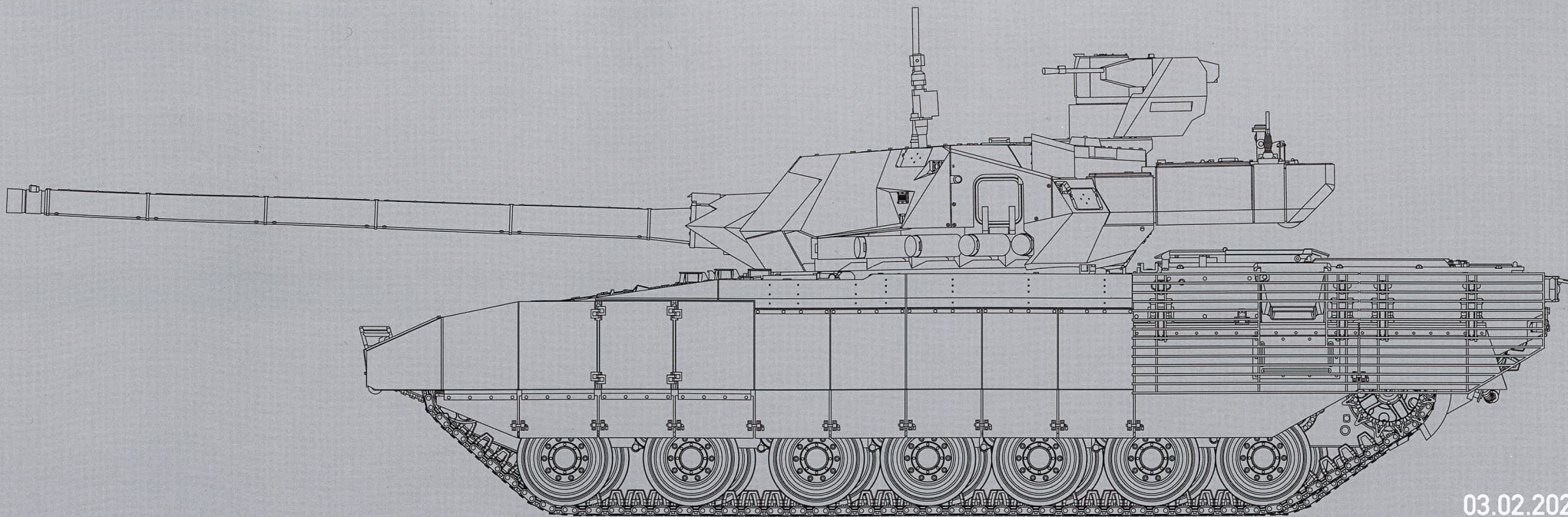


RUSSIAN MAIN BATTLE TANK

T-14 ARMATA



03.02.2029

First revealed to the public at the 2015 Moscow Victory Day Parade, the T-14 Armata is a Russian 5th generation MBT based on the Armata Universal Combat Platform designed and developed by Uralvagonzavod in Nizhny Tagil. 'Armata' is derived from the plural form of the Latin 'Arma', meaning weapons of war, and fits this new concept of a universal combat platform nicely. Other vehicles based on the Armata platform include the T-15 Heavy Infantry Fighting Vehicle, an Armored Recovery Vehicle, a Combat Engineer Vehicle, a Heavy Armored Personnel Carrier, and multiple Self Propelled Guns such as the 2S35 Koalitsiya-SV. The Russian Army intends to acquire up to 2,300 T-14's by the year 2020, and interest has been expressed by China, India, and Egypt in purchasing the T-14 as well.

The T-14's main characteristic is its unmanned turret, thus negating the need for a fume extractor on its 125mm smoothbore 2A82-1M cannon (which fires at a rate of 10-12 rounds per minute, with a reported maximum effective kill range of 8km). The turret is outfitted with long-range optical sensors with thermal imaging capability, and the laser rangefinder is said to have a range of 7.5 km. The 2A82-1M cannon fires the Vacuum-1 Sabot round with a 900mm long penetrator dart capable of penetrating the equivalent of 1,000 mm of rolled homogenous armor at a distance of 2,000 meters. The Cannon also fires the new Telnik High Explosive FRAG round, as well as the 3UBK21 Sprinter ATGM. Secondary armament includes the 12.7mm Kord AA MG in a Remote Weapons Station at the rear of the turret and a 7.62mm PKTM mounted coaxially with the main gun. All of the guns are remotely controlled.

The crew of three are all seated at the front of the hull inside an internal armored 'capsule' with protection equivalent to 900mm rolled homogenous armour. Each crew station has its own hatch, with the driver sitting on the left, the commander sitting on the right, and the gunner sitting between them. The commander and gunner both utilize multi-spectral imaging sights with thermal imaging and laser rangefinders. The commander's sight is mounted on top of the turret and the gunner's sight is located in the recessed housing to the left of the main gun. In addition to direct-vision periscopes, the crew relies on 360° video coverage from cameras mounted all over the vehicle. The driver also has a Forward-Looking Infra-Red camera for driving at night.


For protection, the T-14 relies on the new generation Malachit dual explosive-reactive-armor and the Afghanit active protection system. The Afghanit system utilizes a radar to automatically intercept all incoming anti-tank rounds travelling up to 1,700+ m/s by firing Explosively Formed Penetrators in all directions from the tubes at the base of the turret. The 26,5–40 GHz Active Electronically Scanned Array radar has a range of up to 100km, and can also automatically direct the AA MG to fire on slower incoming rounds and shells as well as aircra


The T-14 is powered by an electronically controlled ChTZ 12H360 (A-85-3A) 1500 HP diesel engine with a top speed of 80–90 kilometres per hour (50–56 mph) at a range of over 500km. Unique to Russian AFV's, the engine is coupled with the 12-speed automatic transmission into a single powerpack that can be replaced in the field in roughly 30 minutes. The T-14 can also be easily transported by rail or trailer, as well as airlifted by the A

READ BEFORE ASSEMBLY

CAUTION

- Read carefully and fully understand the instructions before commencing assembly. A supervising adult should also read the instructions if a child assembles the model.
- When assembling this kit, tools including knives used. Extra care should be taken to avoid personal injury.
- Keep out of reach of small children. Children must not be allowed to suck any part, or pull vinyl bag over their heads.

 Instant Glue
for Metal

 Do Not Cement

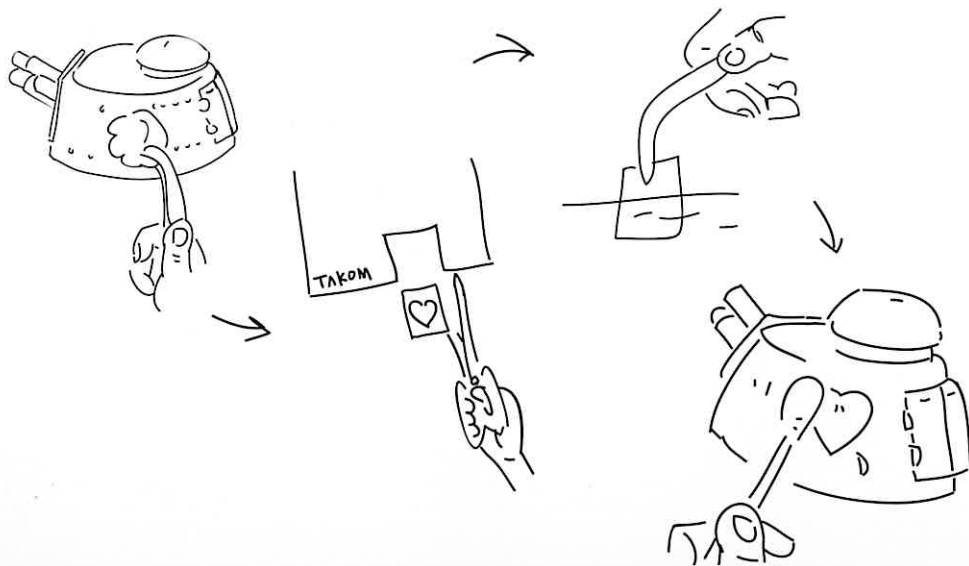
PAINTS REQUIRED

Color info and profiles by Mig Jimenez

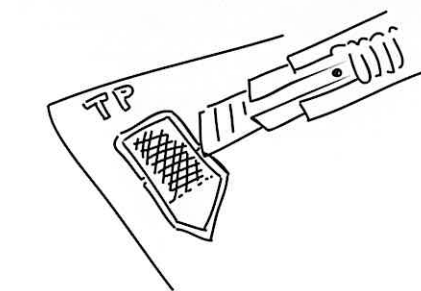
A.MIG 033	Rubber & Tires	A.MIG 045	Gun Metal	A.MIG 046	Matt Black	A.MIG 057	Yellow Grey
A.MIG 061	Warm Sand-Yellow	A.MIG 093	Crystal Red	A.MIG 094	Crystal Glass	RAL 801	Ochre Brown
A.MIG 915	Dark Green	A.MIG 920	Red Primer Base				

APPLYING DECALS

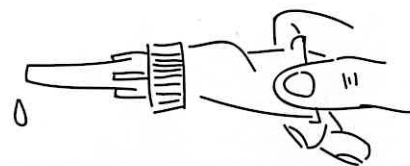
1. Clean the model surface with a wet cloth.
2. Cut out each decal design from sheet, and dip it in tepid water for 15~20 sec.
3. Hold the backing sheet edge and slide decal onto the model.
4. Move decal into position by wetting decal with finger.
5. Press decal gently down with a soft cloth until excess water and air bubbles are gone.



REMOVING PE



Be careful not to hurt when removing PE parts.

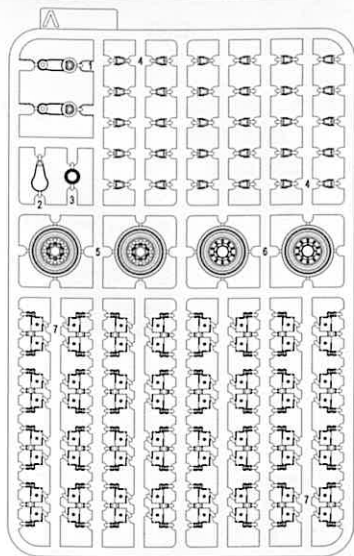


Secure using instant glue (not included).

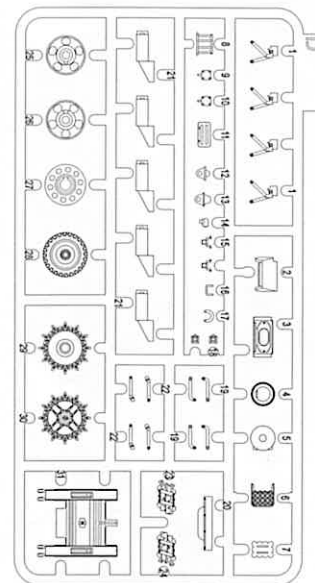
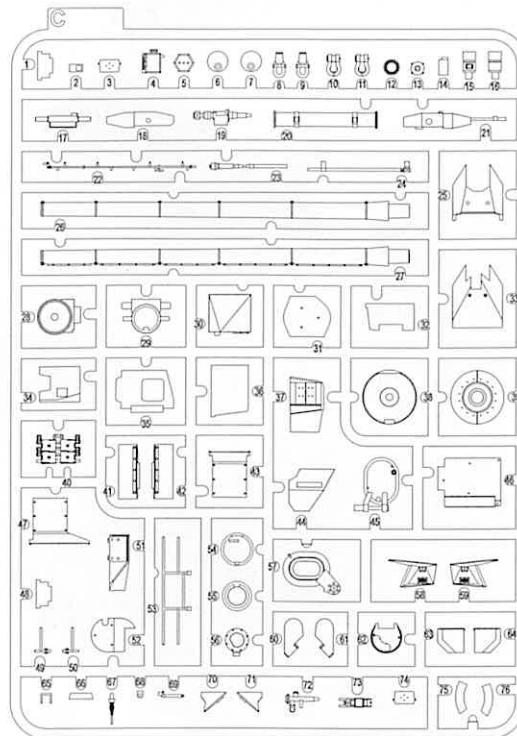
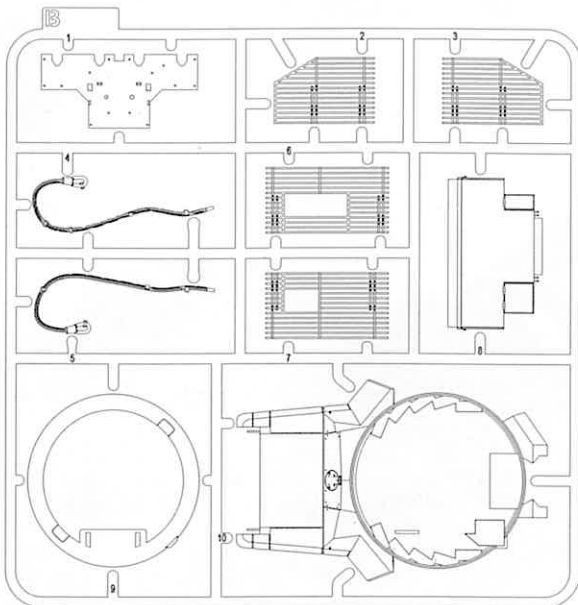


Finish using file.

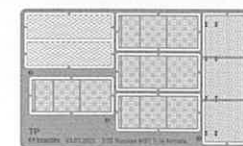
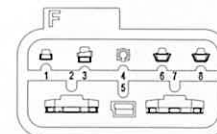
PARTS



X7

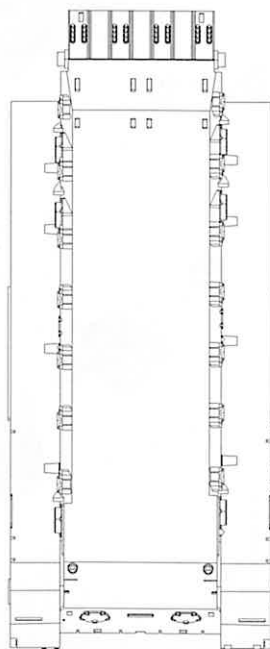
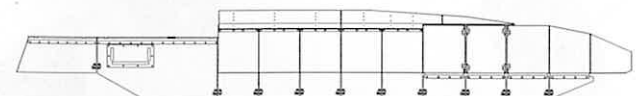
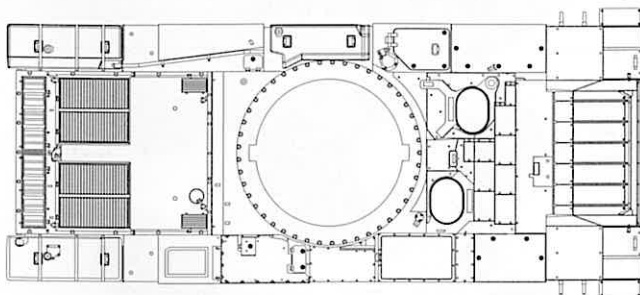
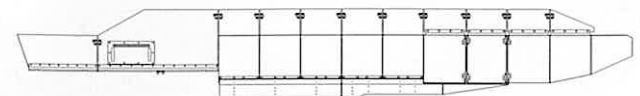
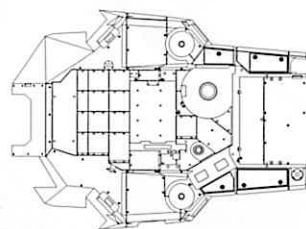


X2

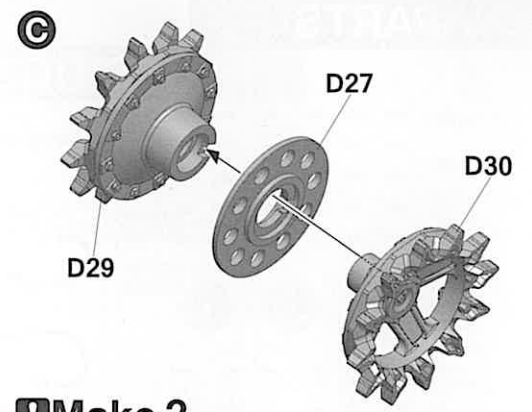
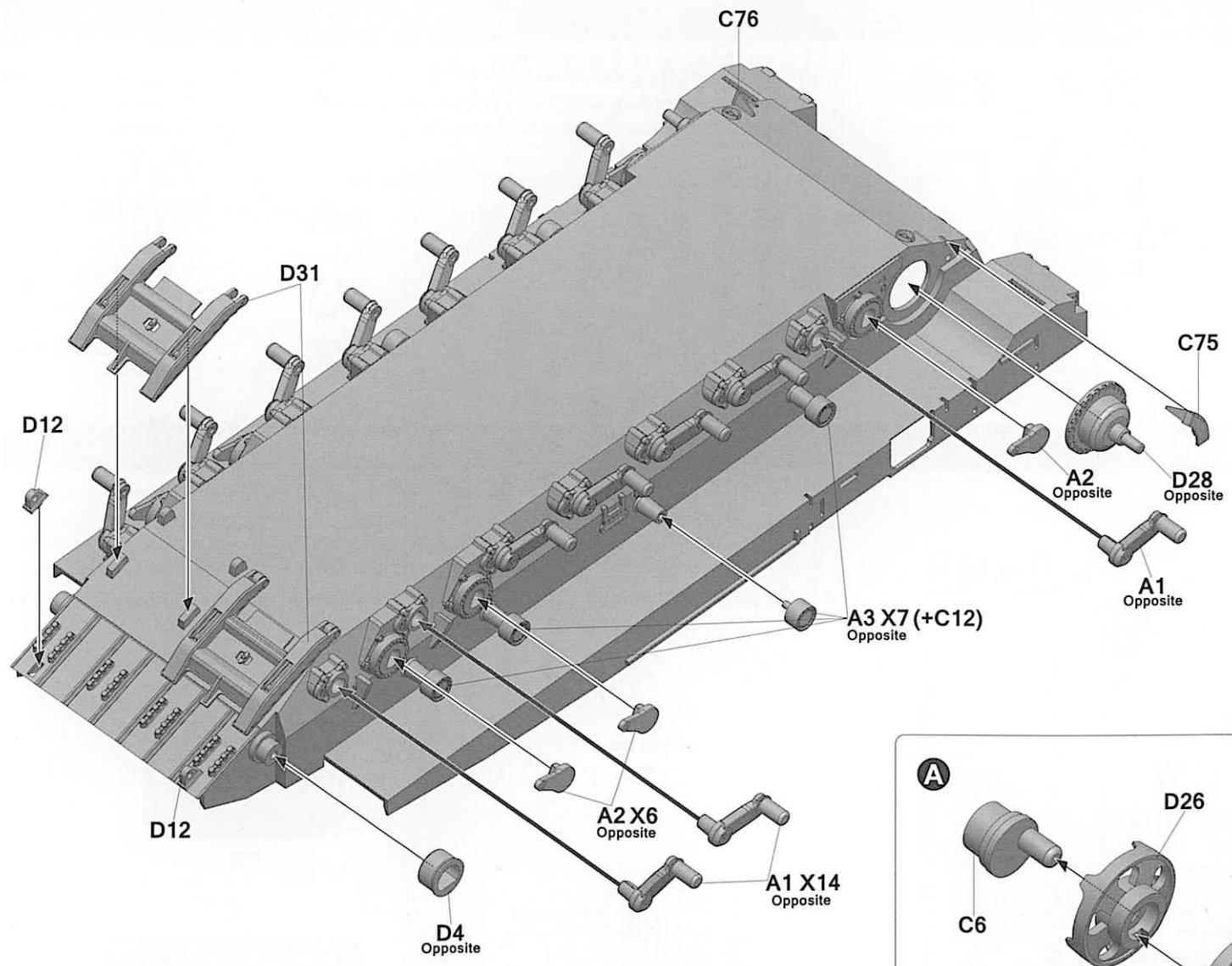


PE

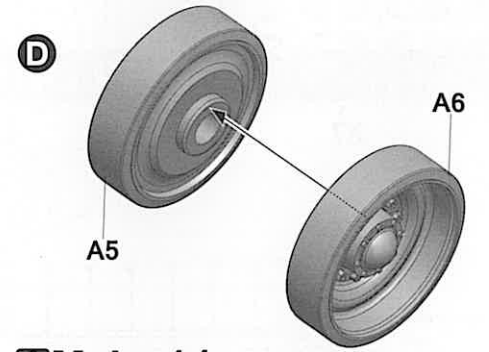
©
Poly cap
X6



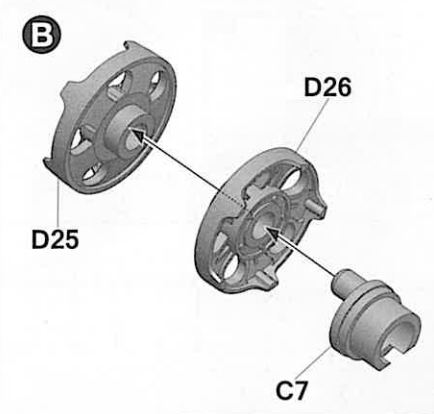
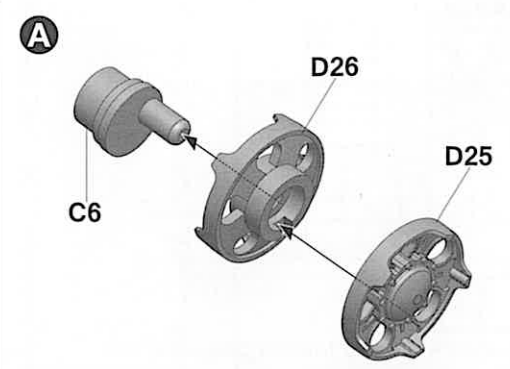
Decal



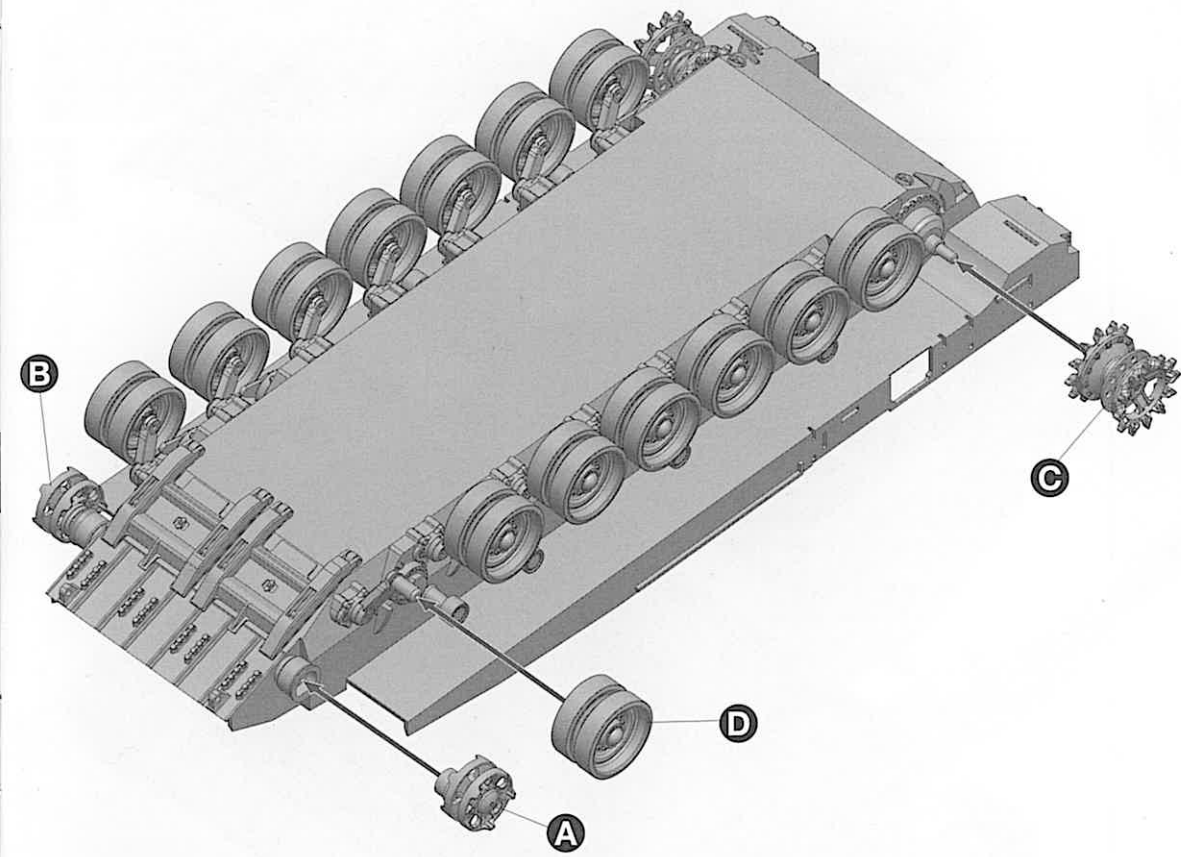
Make 2



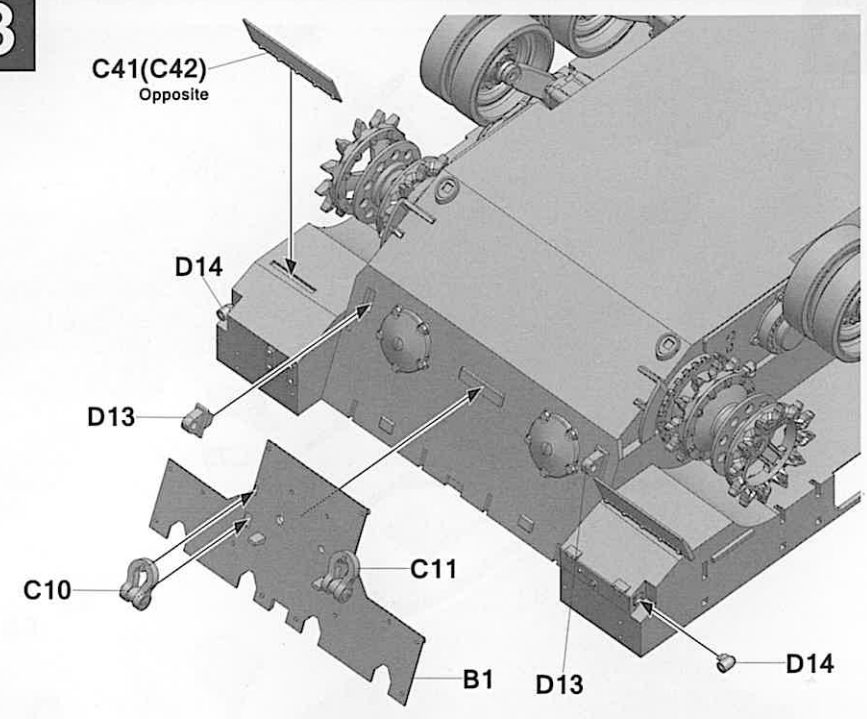
Make 14



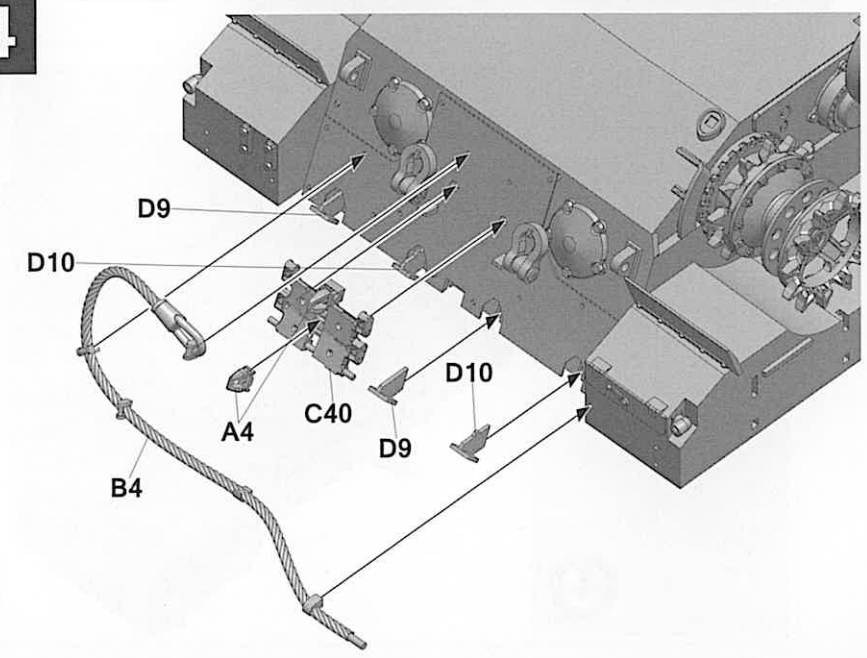
2



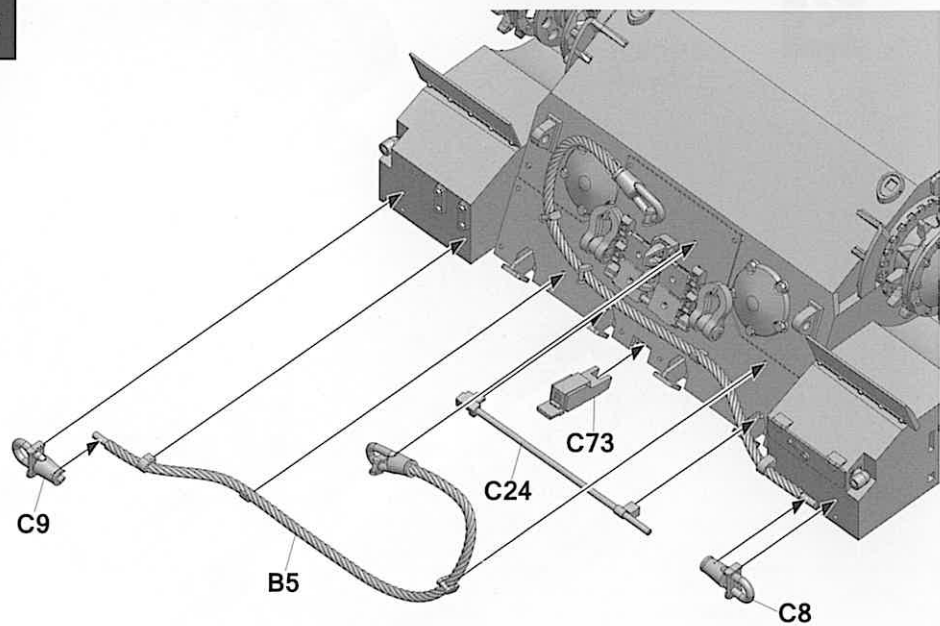
3



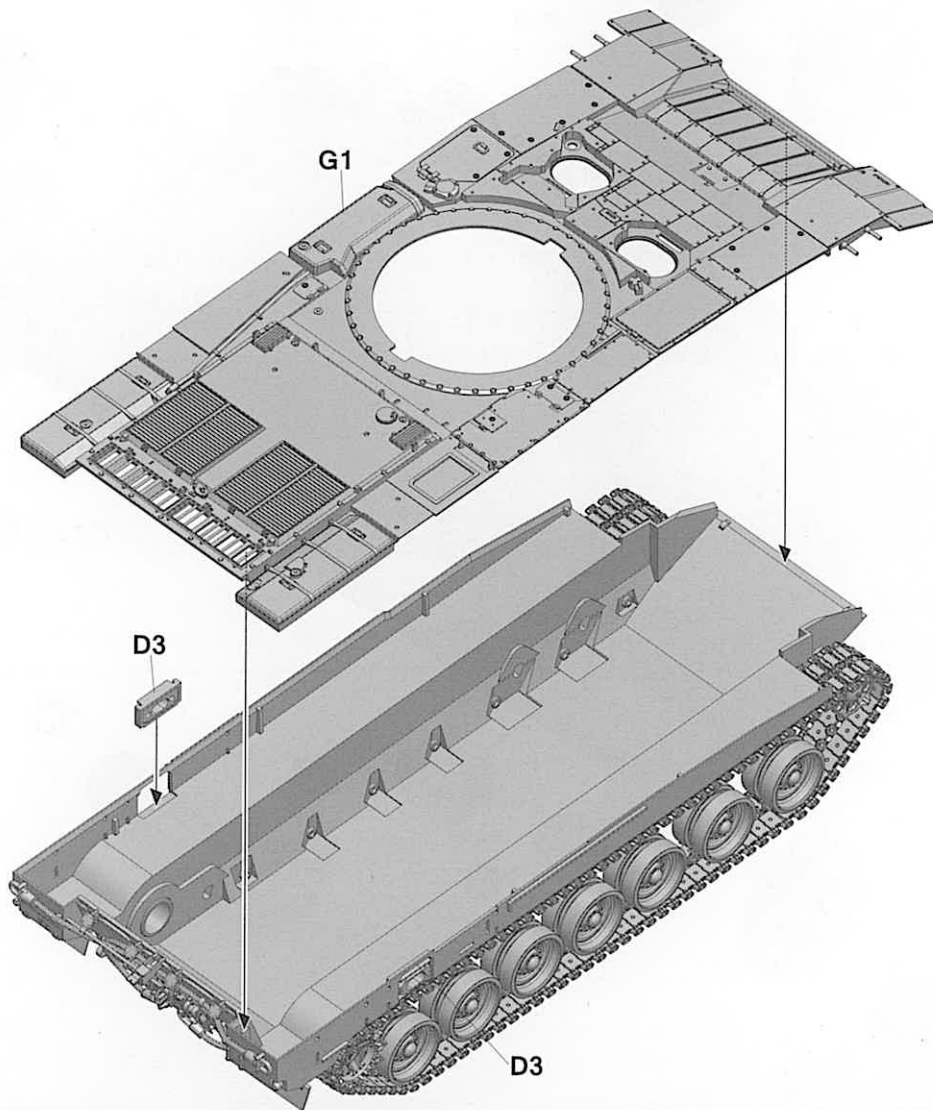
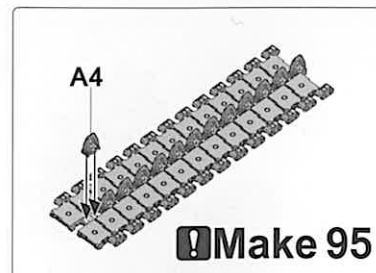
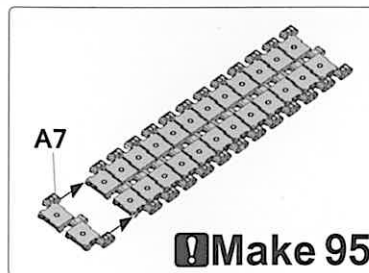
4



5

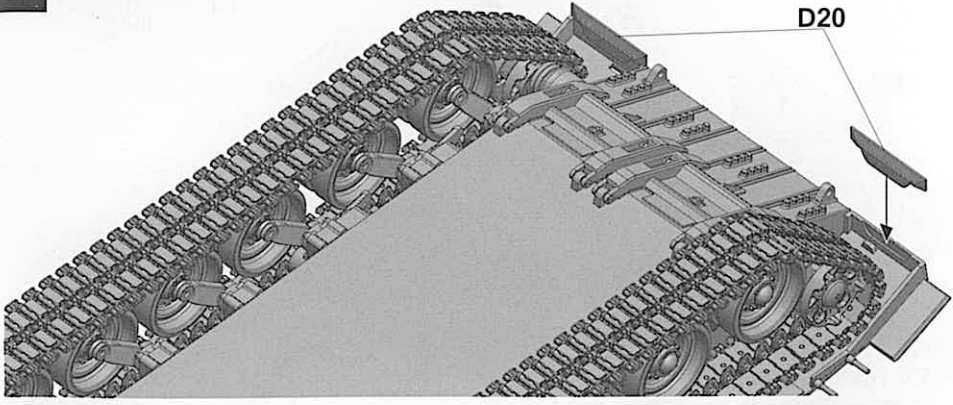


6

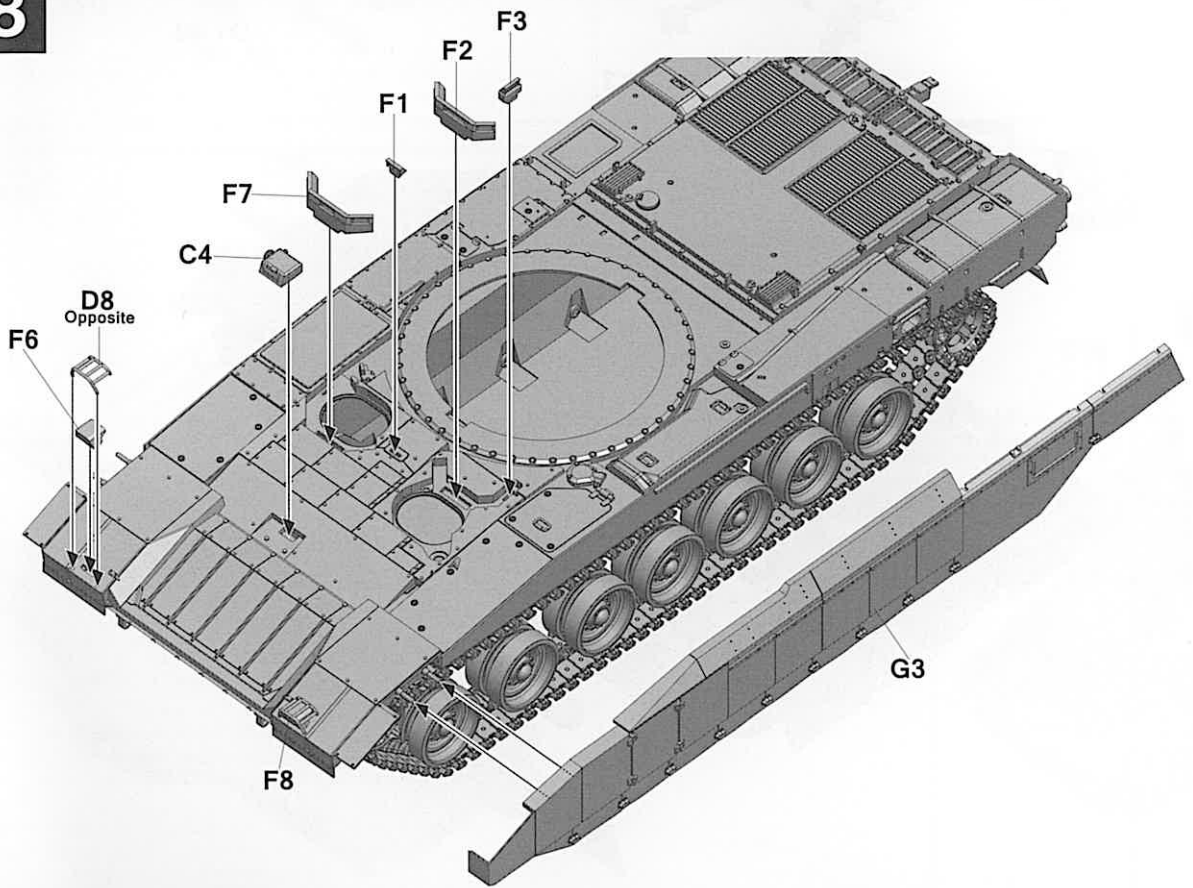


5

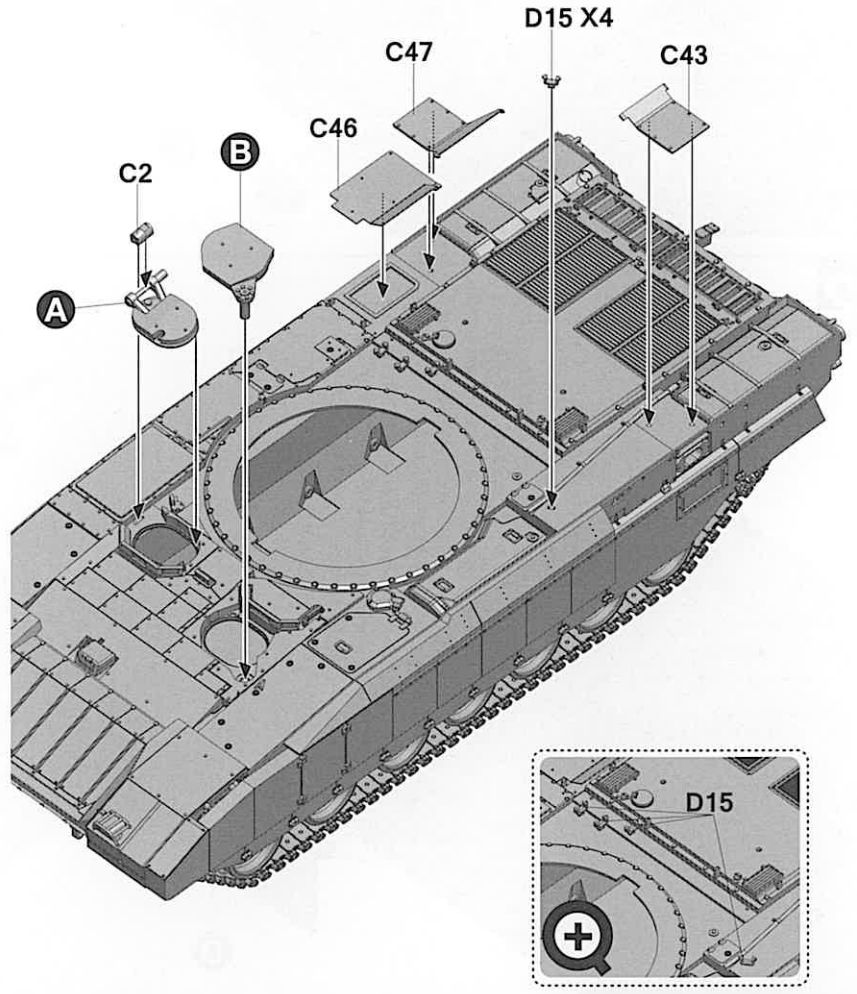
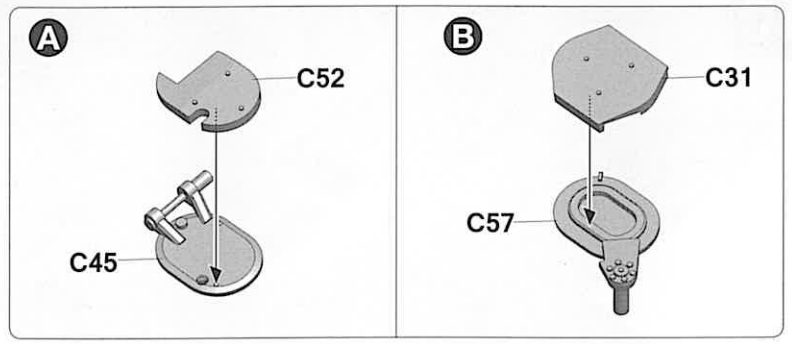
7



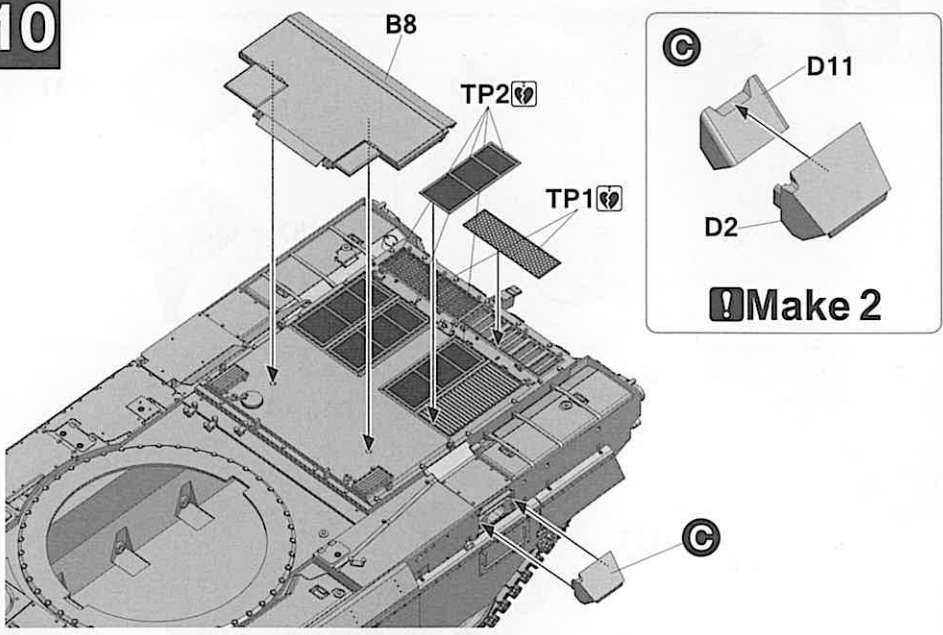
8



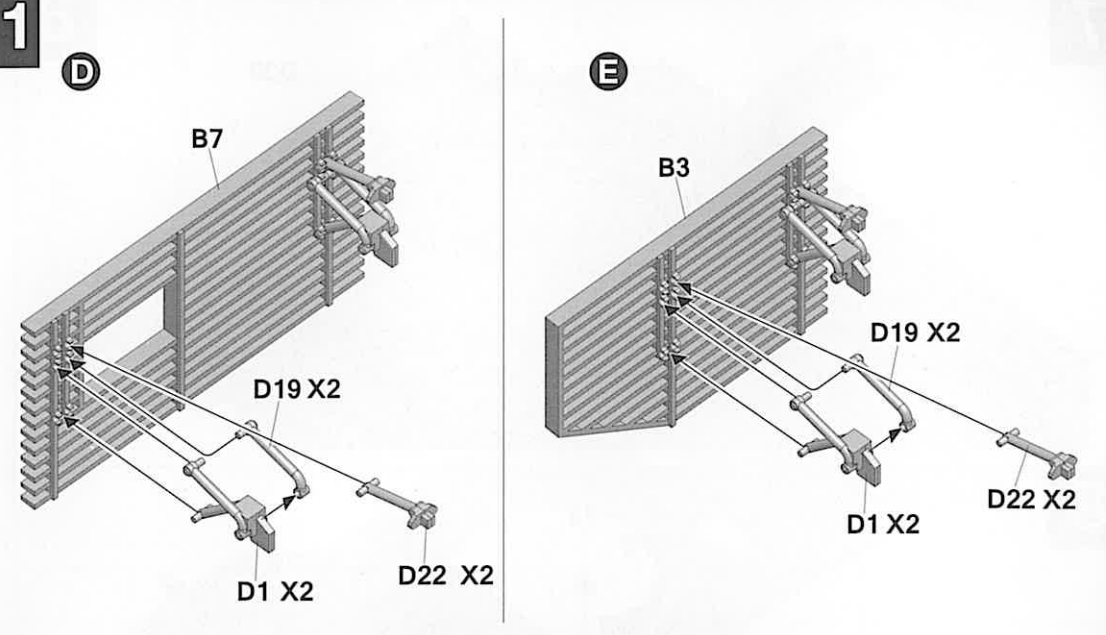
9



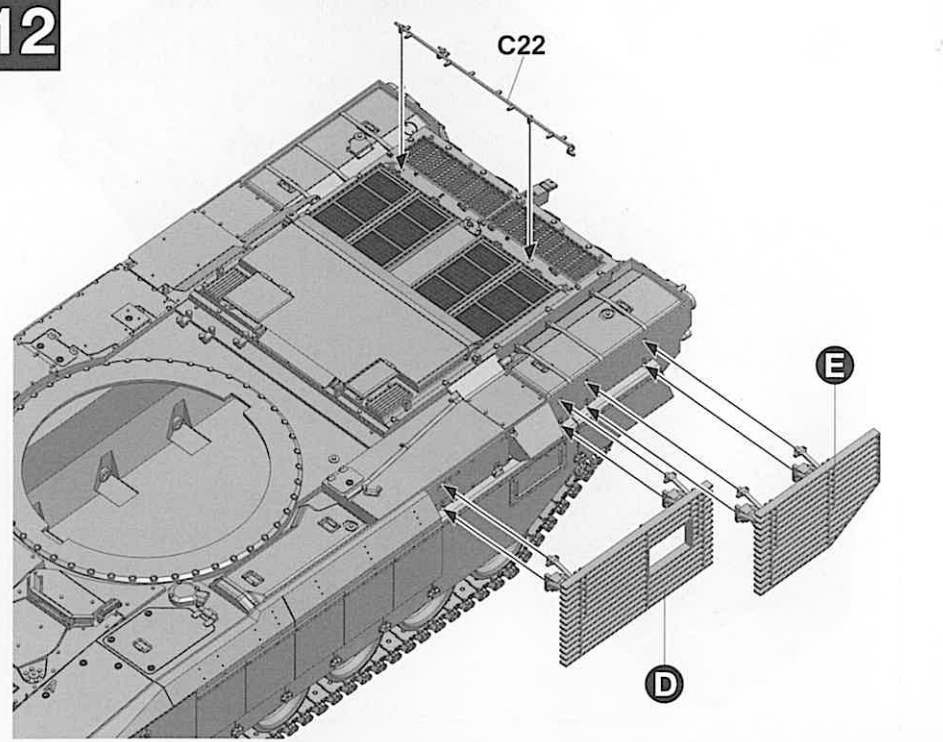
10



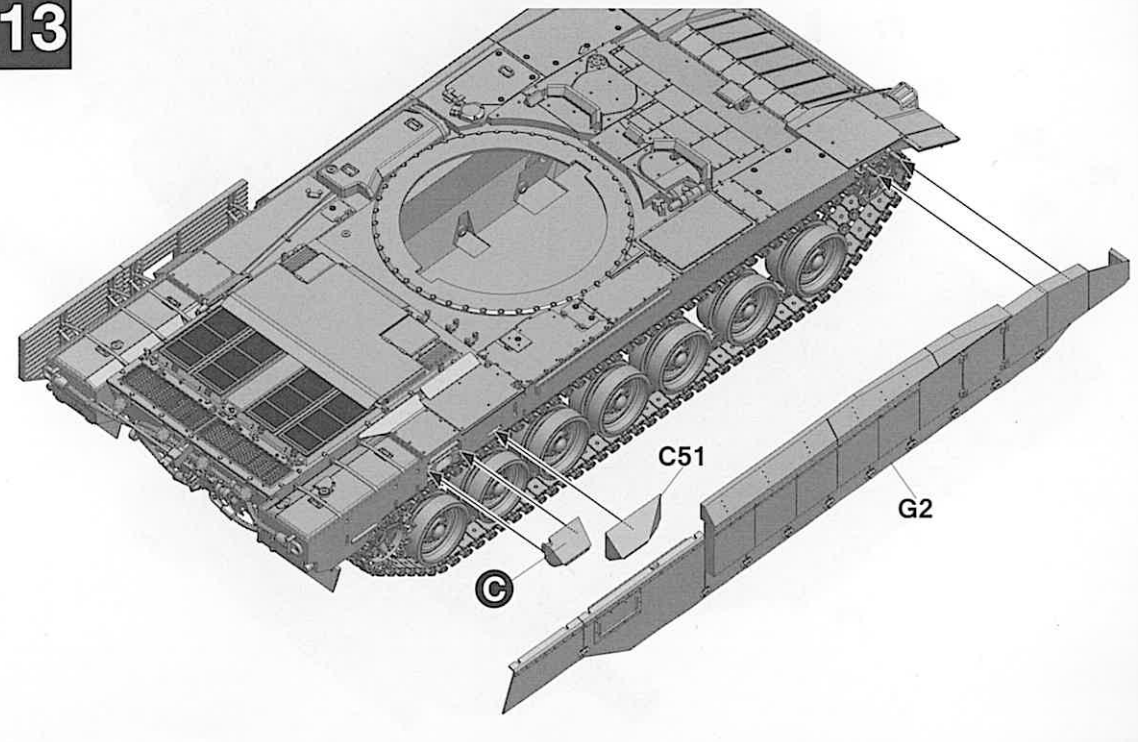
11



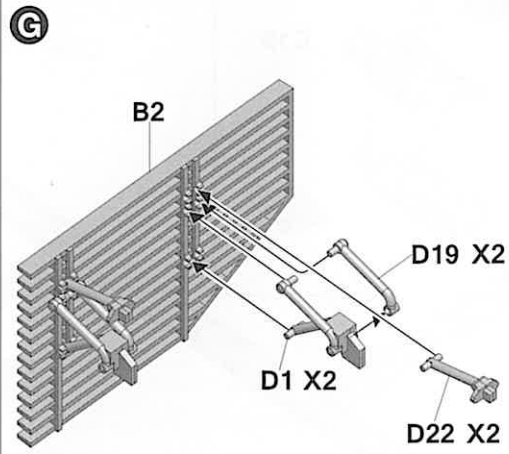
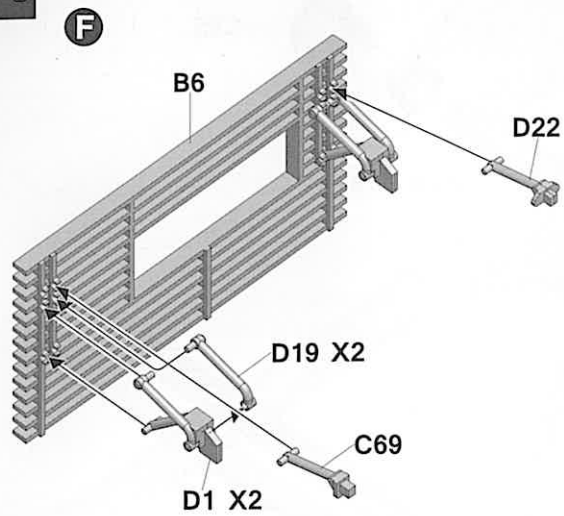
12



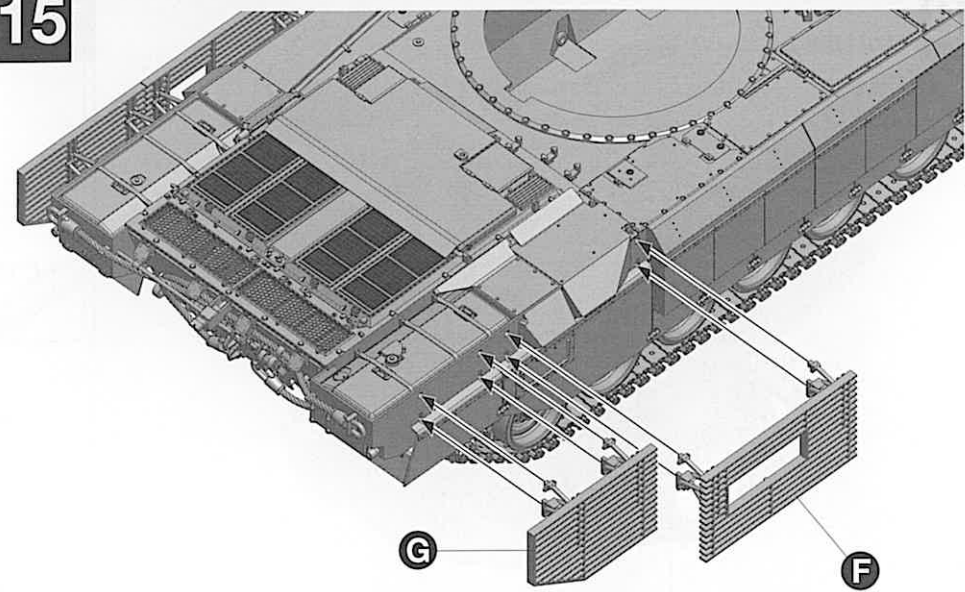
13



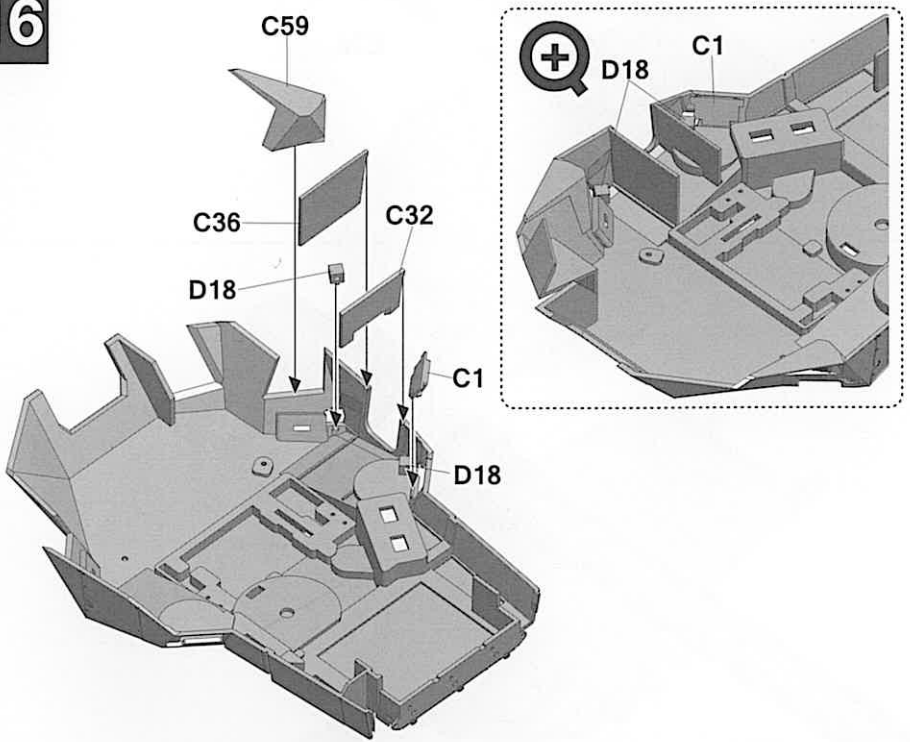
14



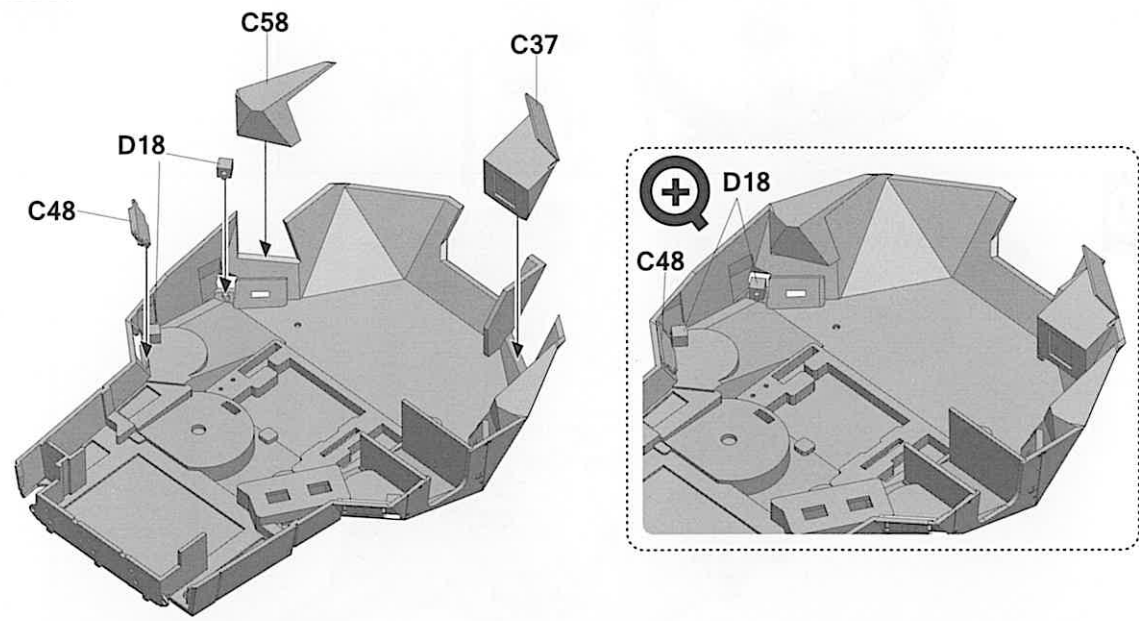
15



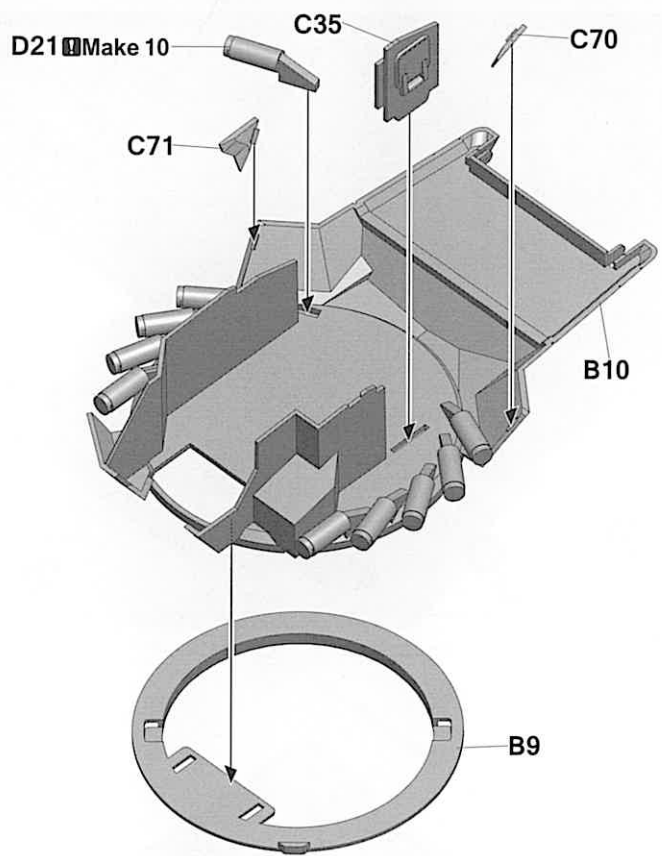
16



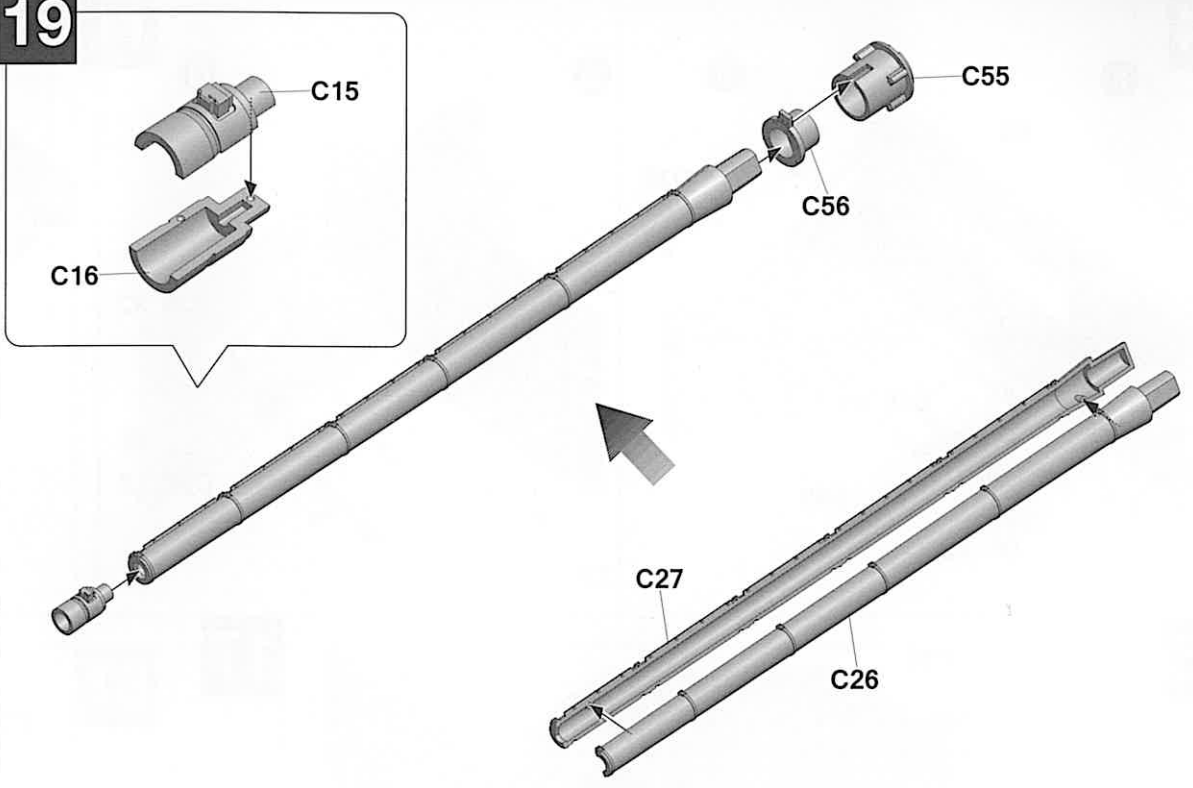
17



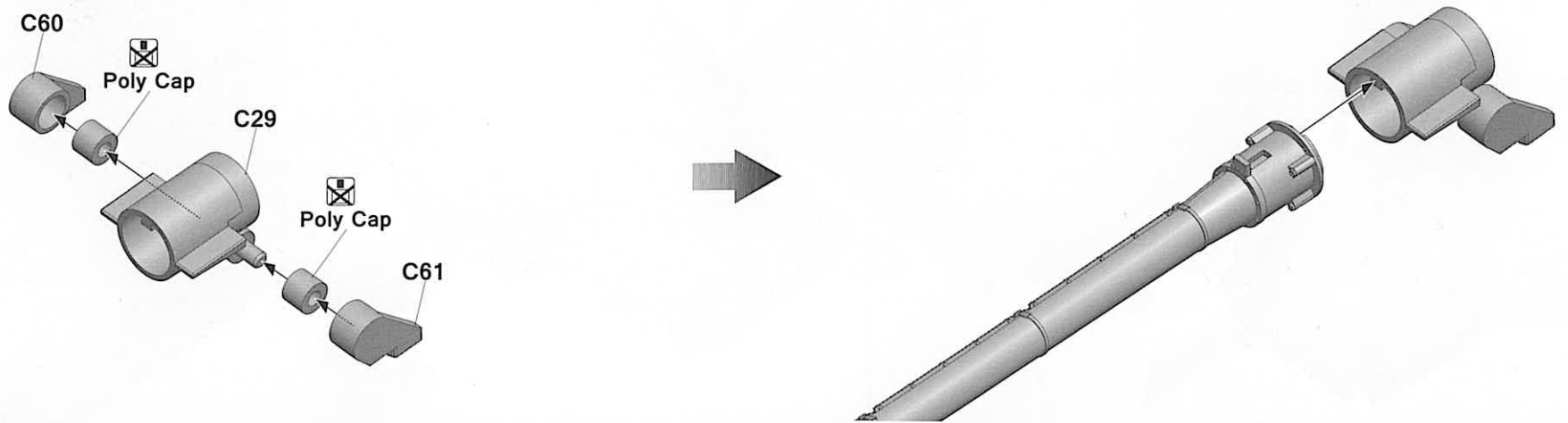
18



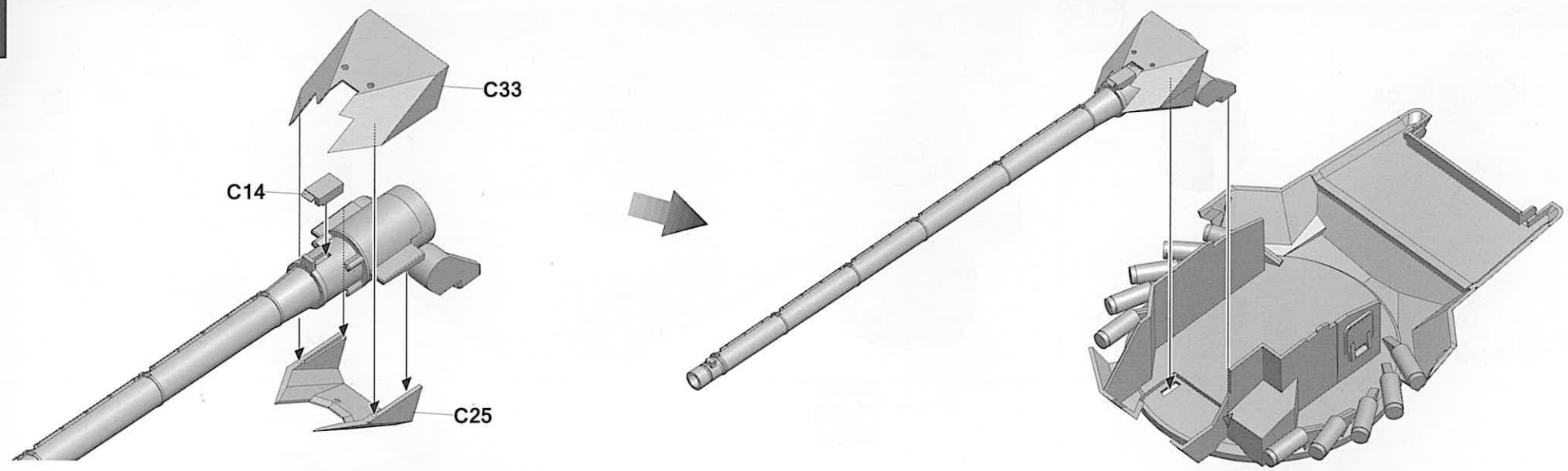
19



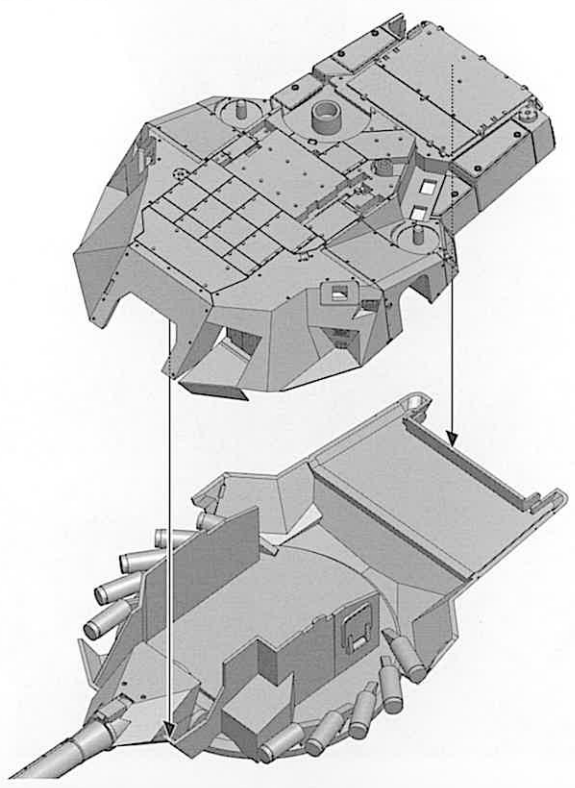
20



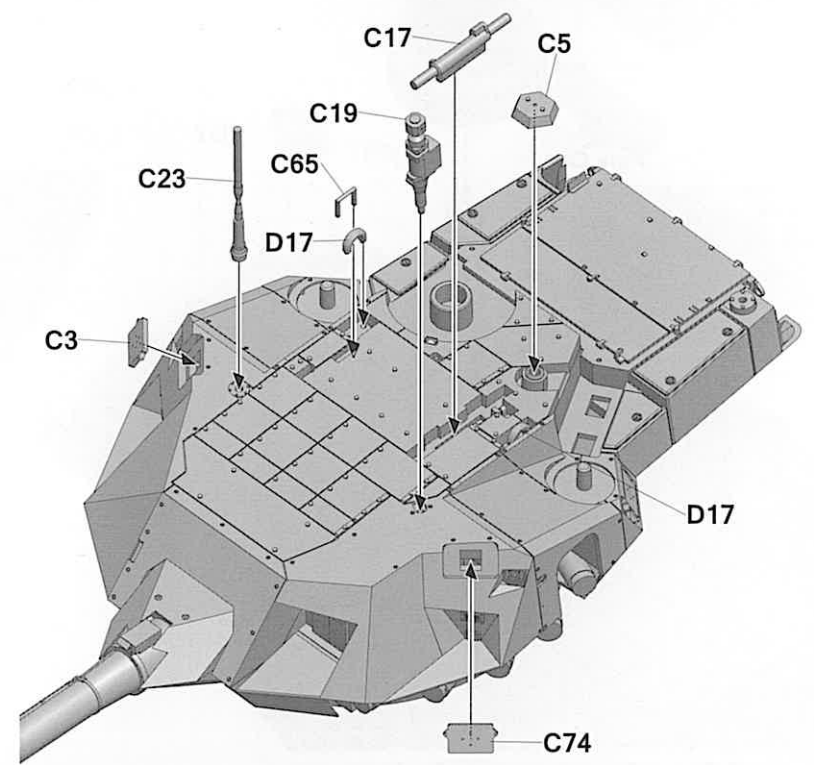
21



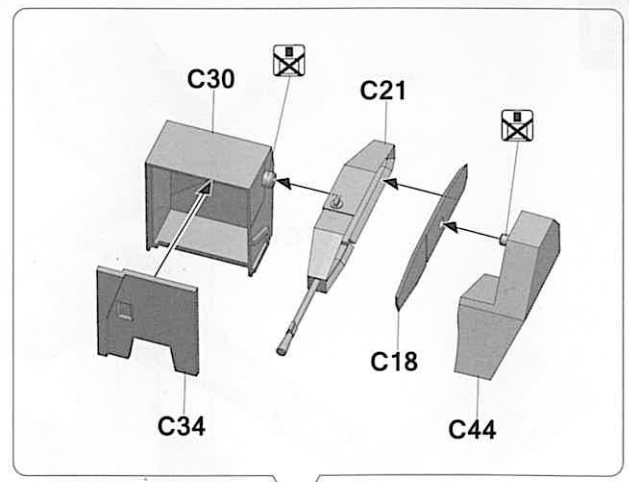
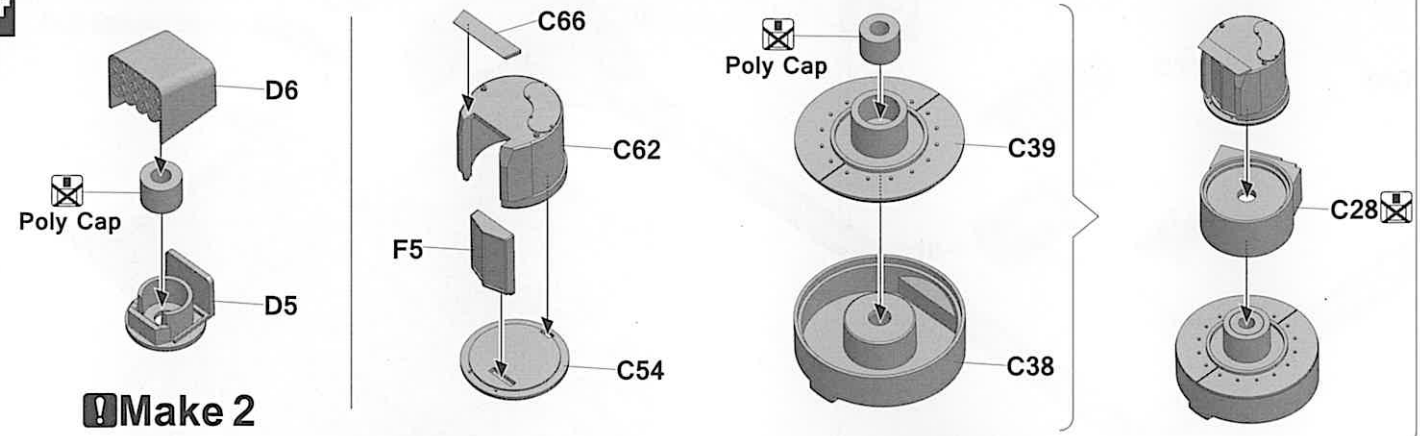
22



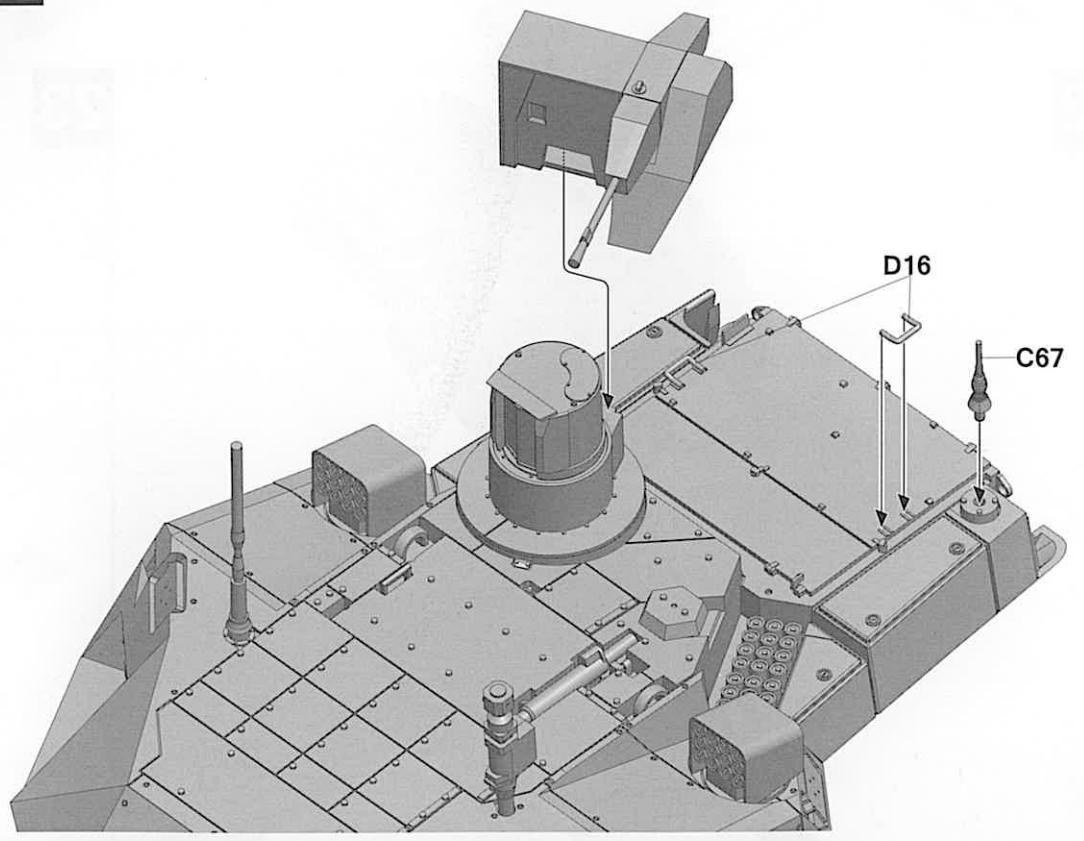
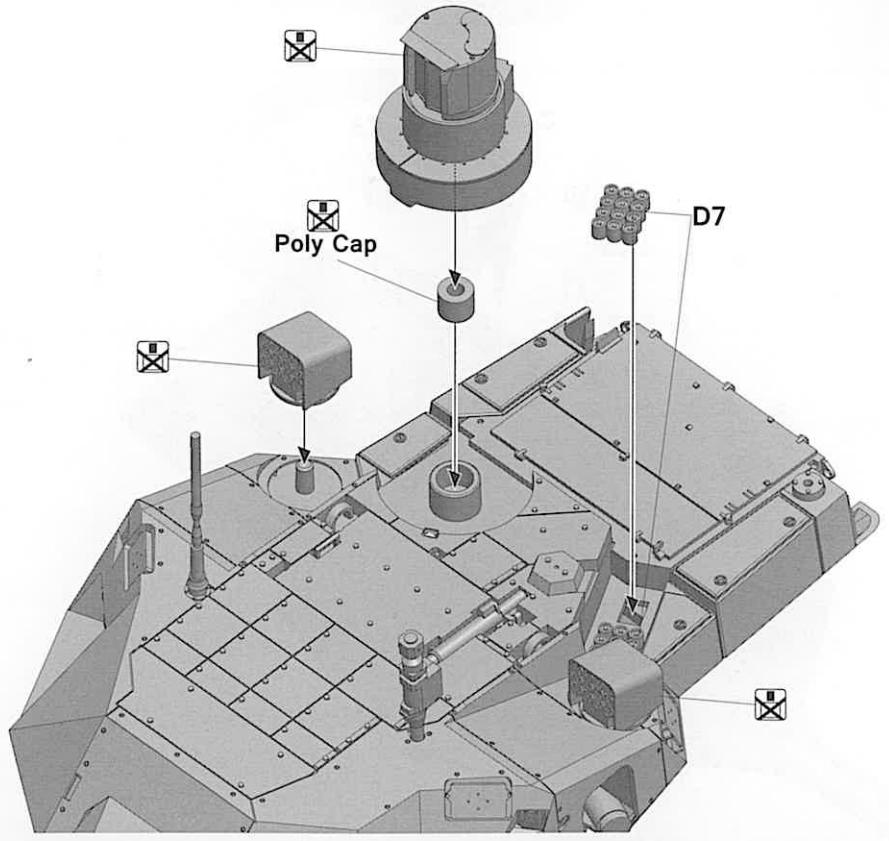
23



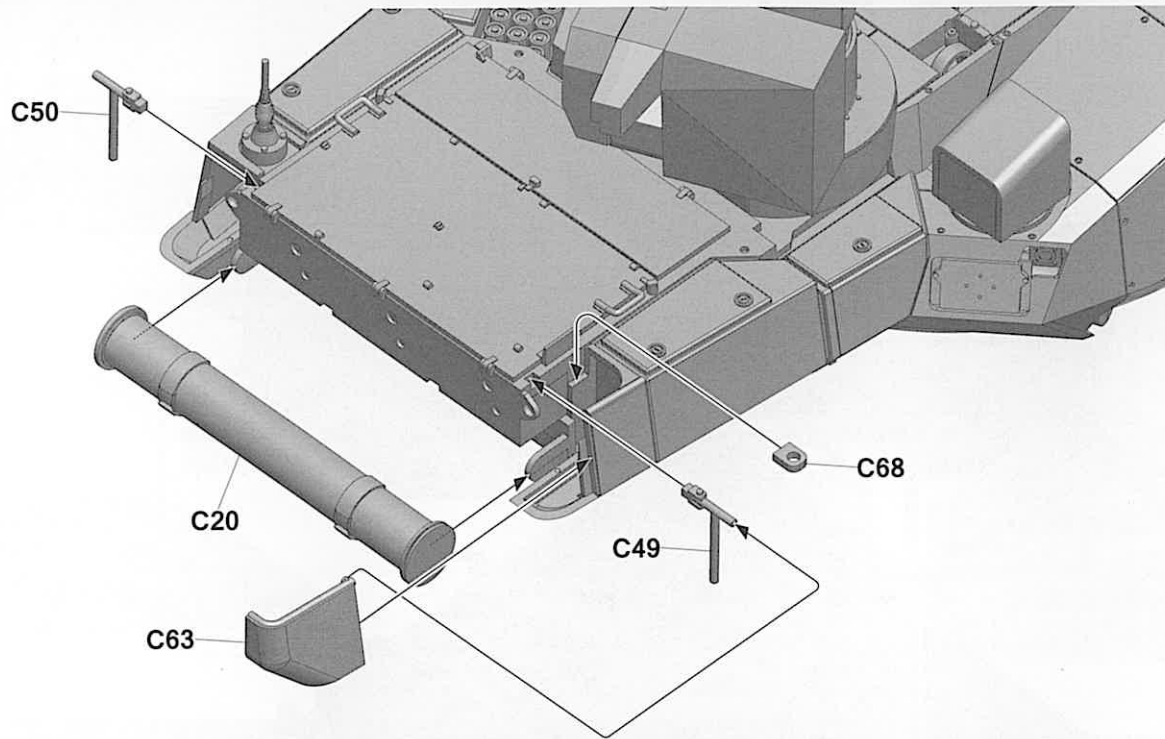
24



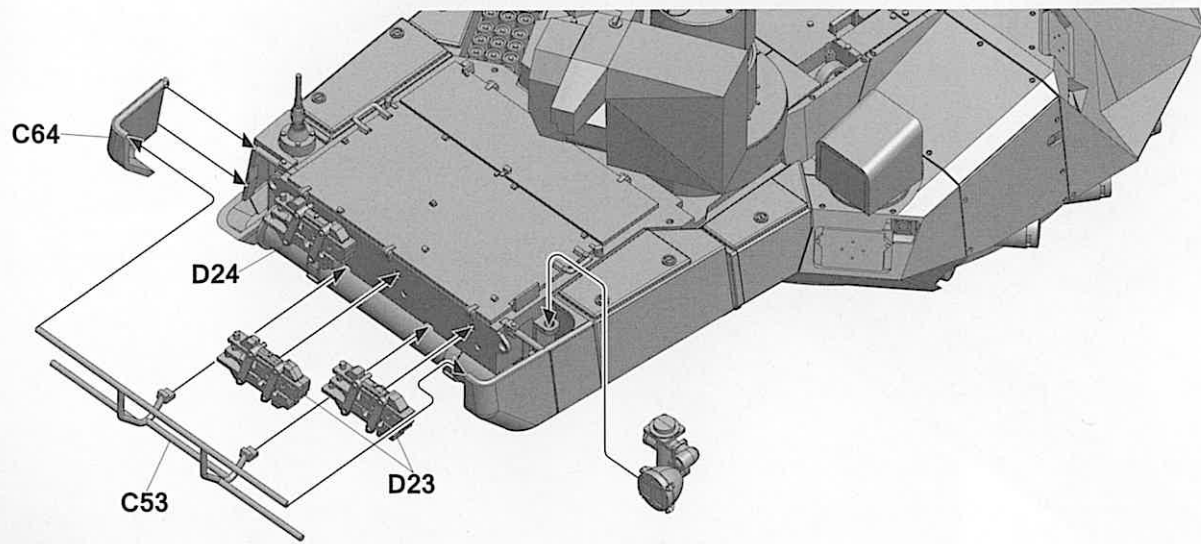
25



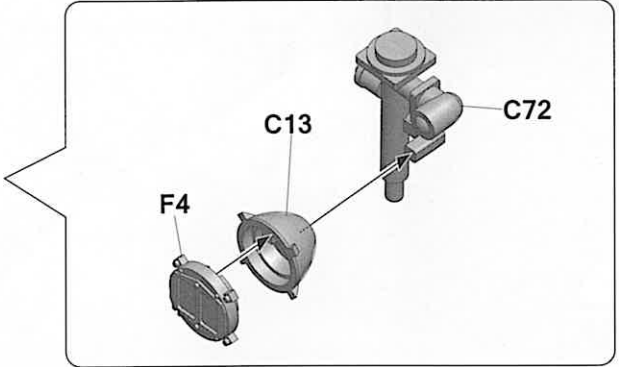
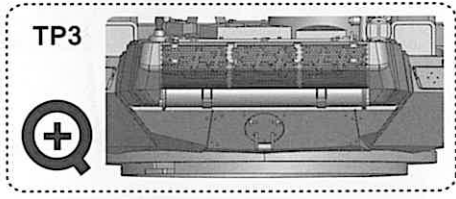
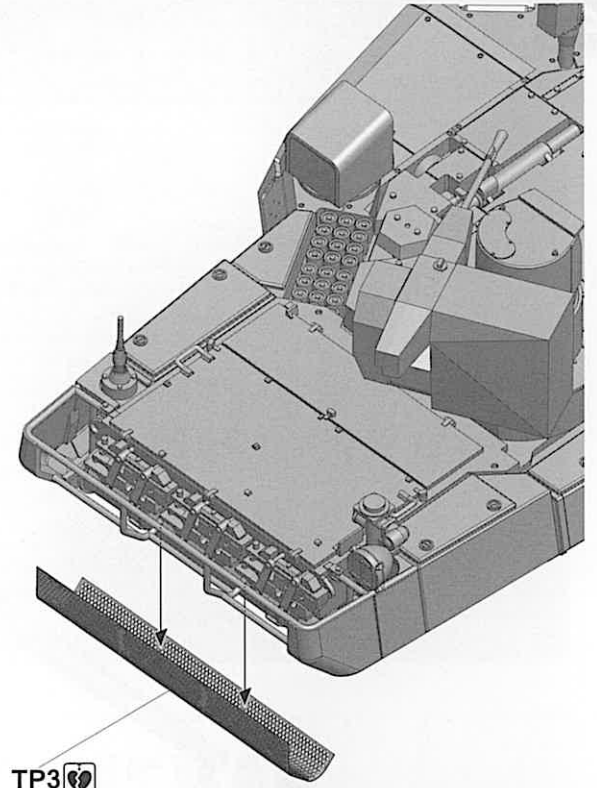
26

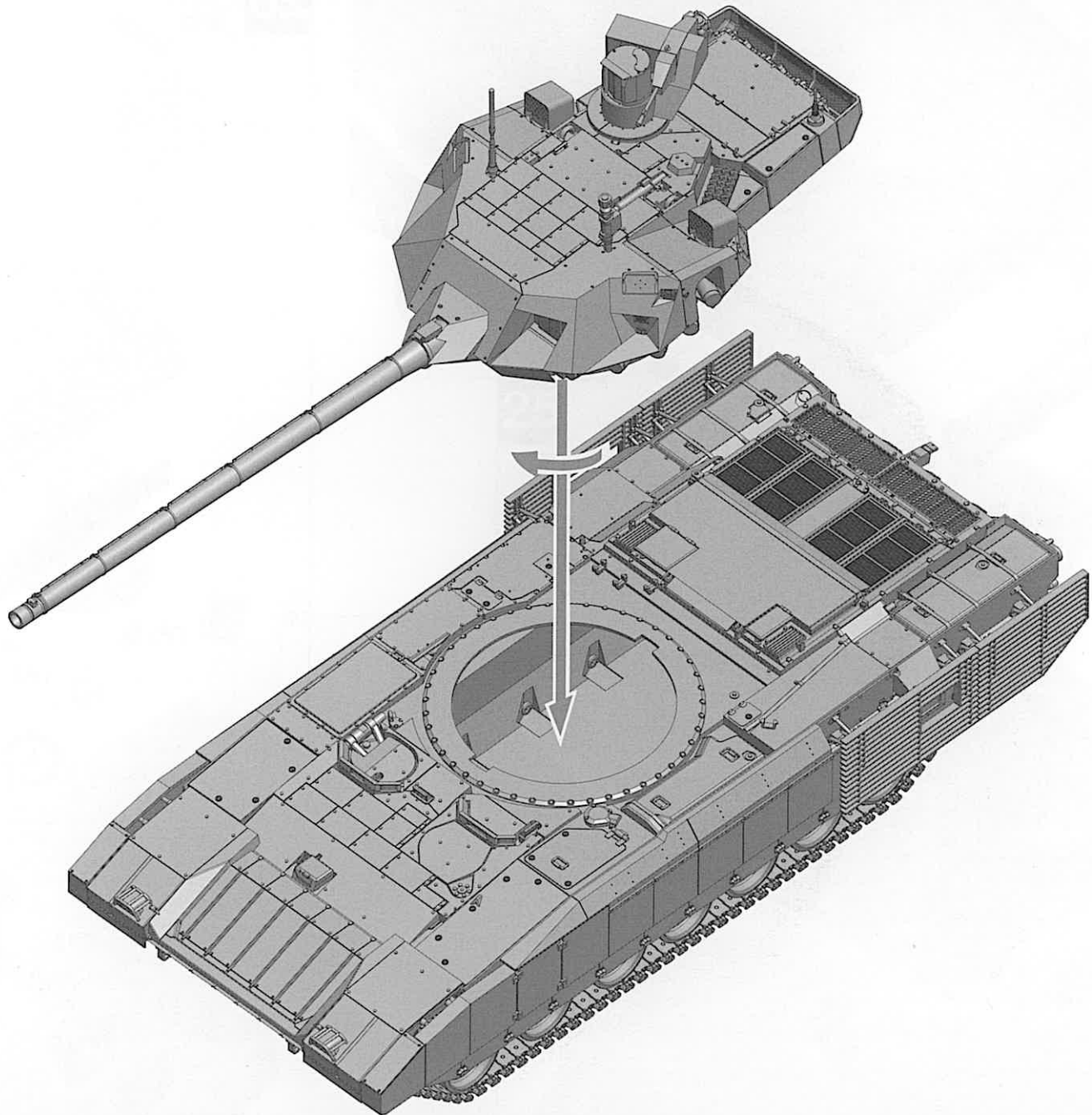


27



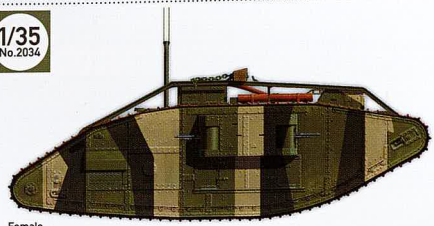
28



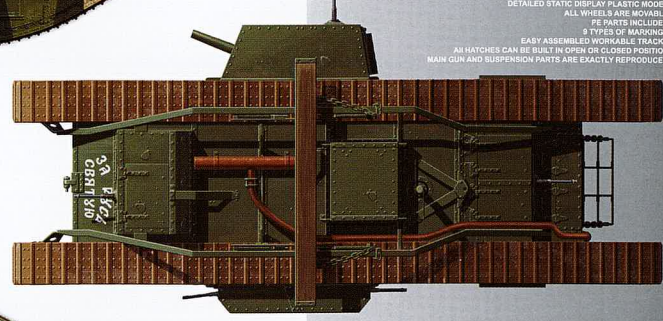


1/35
No.2034

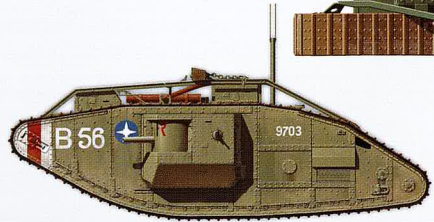
MK.V



Female



Hermaphrodite



Male

DETAILED STATIC DISPLAY PLASTIC MODEL
ALL WHEELS ARE MOVABLE
PE PARTS INCLUDED
3 TYPES OF MARKINGS
EASY ASSEMBLED WORKABLE TRACKS
HATCHES CAN BE BUILT IN OPEN OR CLOSED POSITION
MAIN GUN AND SUSPENSION PARTS ARE EXACTLY REPRODUCED

3 In 1



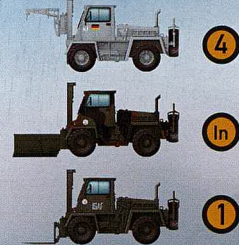
A. READY TO ASSEMBLE PRECISION MODEL KIT B. INTENDED FOR COLLECTORS OF AGE 14 YEARS AND ABOVE C. MODEL MAY VARY FROM IMAGE ON BOX D. CEMENT AND PAINT NOT INCLUDED

Bundeswehr FELDUMSCHLAGGERÄT FUG 2,5T

1/35
No.2021



A. READY TO ASSEMBLE PRECISION MODEL KIT B. MODELING SKILLS HELPFUL IF UNDER 14 YEARS OF AGE C. MODEL MAY VARY FROM IMAGE ON BOX D. CEMENT AND PAINT NOT INCLUDED



ALL WHEELS ARE WORKABLE
4 TYPES OF MARKINGS
REAR WHEELS ARE STEERABLE
ALL DOORS CAN BE OPENED
CAN BE BUILT AS ONE OF 4 VEHICLE TYPES
PE & CLEAR PARTS INCLUDED

SpPz 2 Luchs A1/A2 2 IN 1



DETAILED STATIC DISPLAY PLASTIC MODEL
CHASSIS STRUCTURE BE REPRODUCED EXACTLY
ALL WHEELS CAN BE STEERING TOGETHER LIKE THE REAL VEHICLE
HATCHES CAN BE BUILT IN OPEN OR CLOSED POSITION
TWO TYPES TRACKS AND OPTIONAL PARTS FOR A1 AND A2 VERSION
PE & CLEAR PARTS INCLUDED
4 TYPES OF MARKINGS



1/35
No.2017

CANADIAN MAIN BATTLE TANK LEOPARD C2 MEXAS

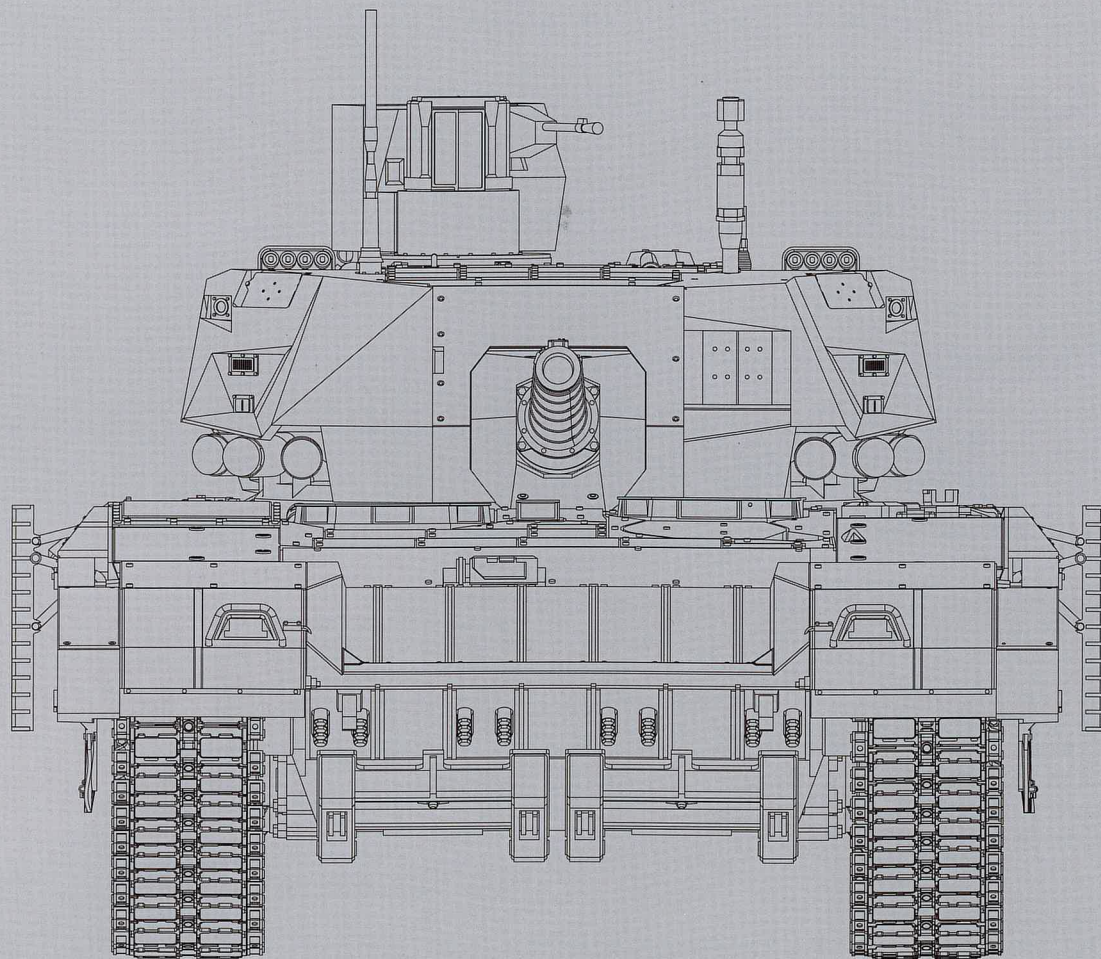
DETAILED STATIC DISPLAY PLASTIC MODEL
ALL THE WHEELS & SUSPENSION ARE MOVABLE
CROUCH WORKABLE TRACK-LINKS (Cement-free)
A 1:35 FIGURE INCLUDED
4 TYPES OF MARKINGS
PE & CLEAR PARTS INCLUDED



1/35
No.2003
A. READY TO ASSEMBLE PRECISION MODEL KIT
B. MODELING SKILLS HELPFUL IF UNDER 14 YEARS OF AGE
C. MODEL MAY VARY FROM IMAGE ON BOX
D. CEMENT AND PAINT NOT INCLUDED



2015/2029



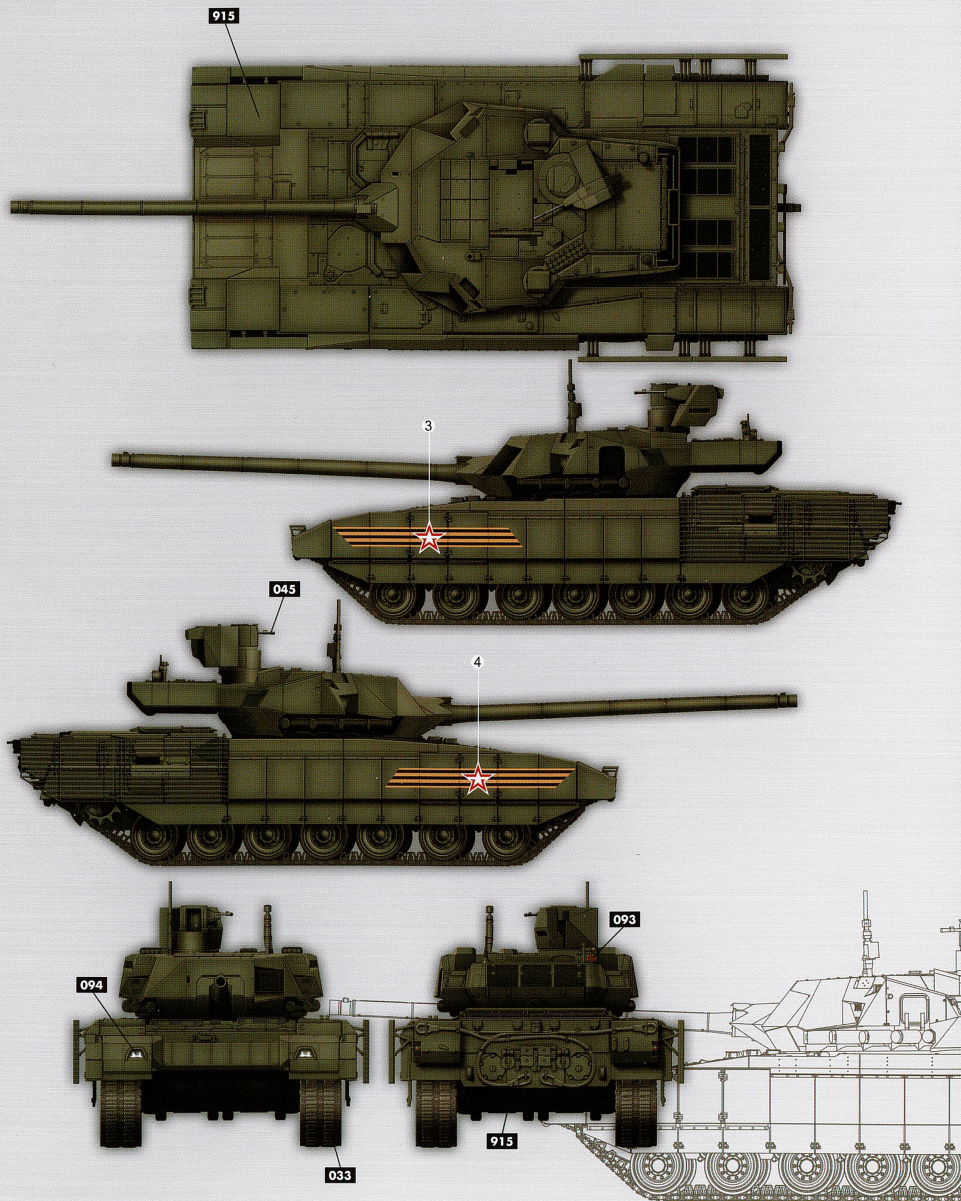
You can find TAKOM on Facebook.com

T-14 ARMATA

Painting and Marking Guide

- A.MIG 033 Rubber & Tires
- A.MIG 045 Gun Metal
- A.MIG 093 Crystal Red
- A.MIG 094 Crystal Glass
- A.MIG 915 Dark Green

T-14 ARMATA, World War II Victory Day parade, 9 May 2015.

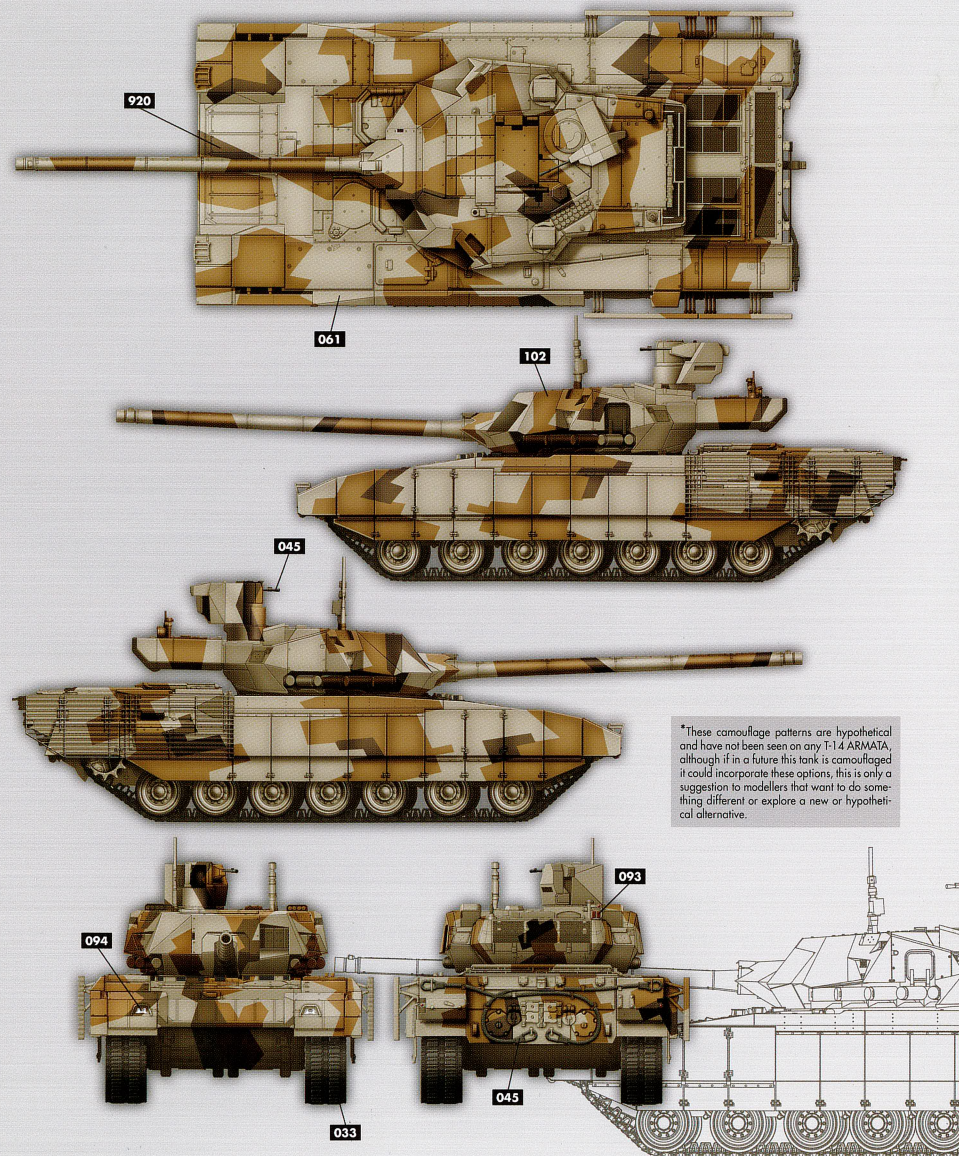


T-14 ARMATA

Painting and Marking Guide

- A.MIG 033 Rubber & Tires
- A.MIG 045 Gun Metal
- A.MIG 093 Crystal Red
- A.MIG 094 Crystal Glass
- A.MIG 061 Warm Sand-Yellow
- A.MIG 102 RAL 801 Ochre Brown
- A.MIG 920 Red Primer Base

T-14 ARMATA What if desert pattern



*These camouflage patterns are hypothetical and have not been seen on any T-14 ARMATA, although if in a future this tank is camouflaged it could incorporate these options, this is only a suggestion to modellers that want to do something different or explore a new or hypothetical alternative.

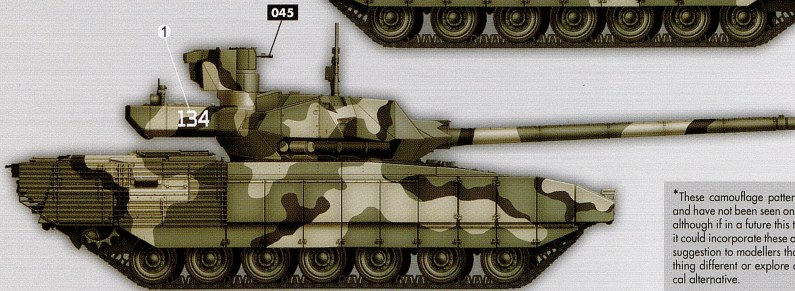
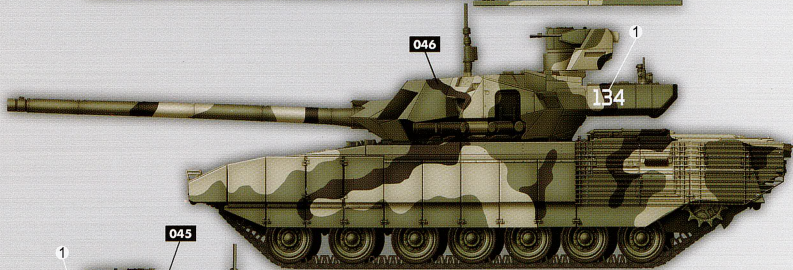
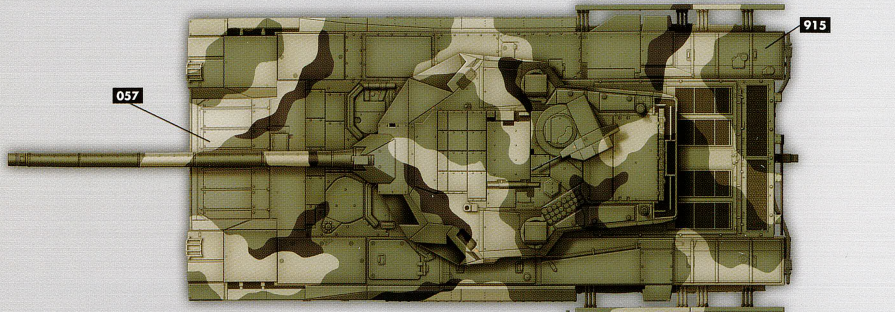
T-14 ARMATA

Painting and Marking Guide

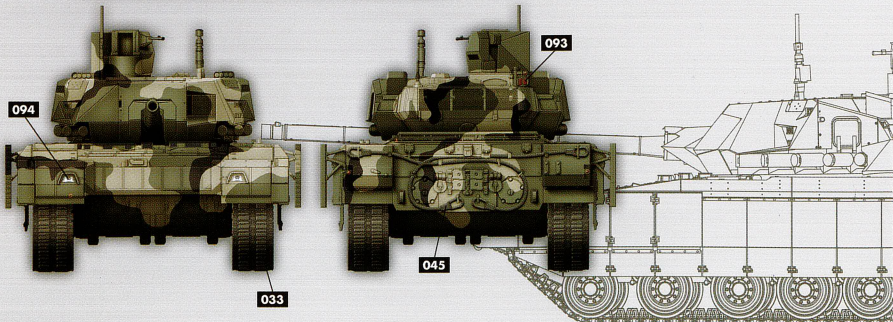
A.MIG 033 Rubber & Tires
 A.MIG 045 Gun Metal
 A.MIG 093 Crystal Red
 A.MIG 094 Crystal Glass

A.MIG 046 Mat Black
 A.MIG 057 Yellow Grey
 A.MIG 915 Dark Green

T-14 ARMATA What if T-90 pattern camouflage



*These camouflage patterns are hypothetical and have not been seen on any T-14 ARMATA, although if in a future this tank is camouflaged it could incorporate these options, this is only a suggestion to modellers that want to do something different or explore a new or hypothetical alternative.



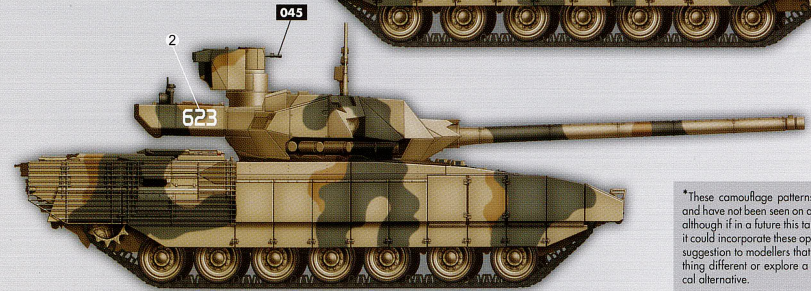
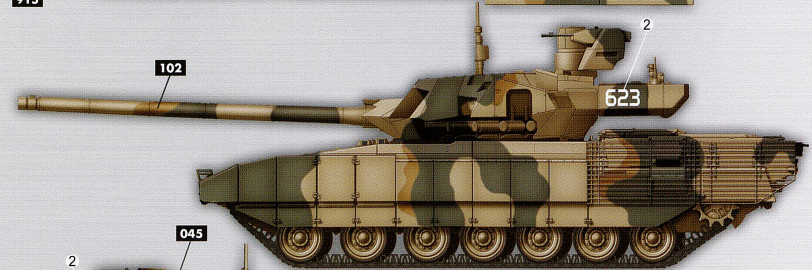
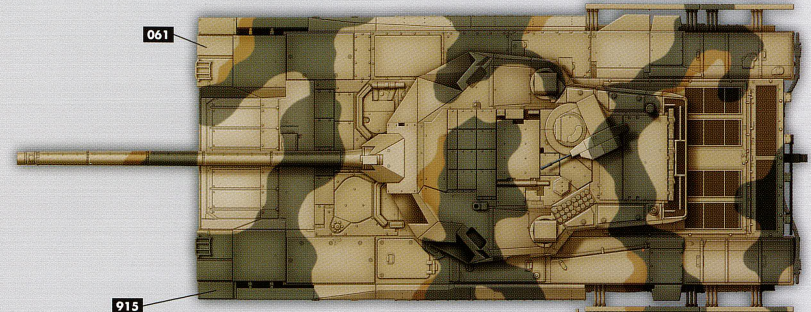
T-14 ARMATA

Painting and Marking Guide

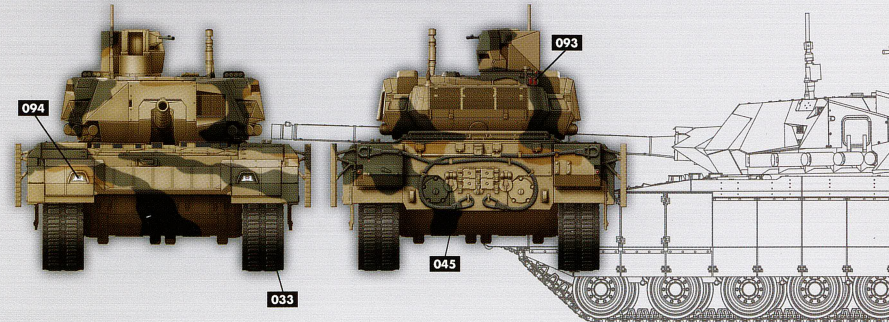
A.MIG 033 Rubber & Tires
 A.MIG 045 Gun Metal
 A.MIG 093 Crystal Red
 A.MIG 094 Crystal Glass

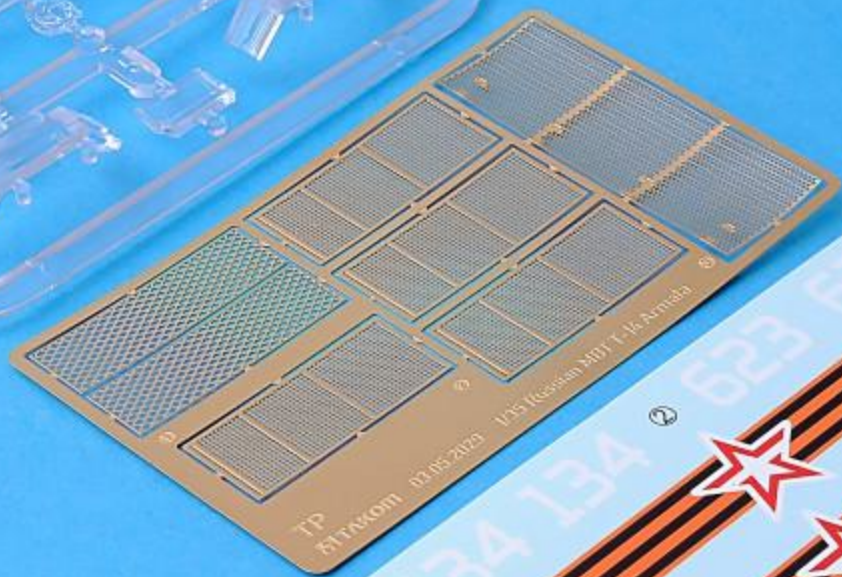
A.MIG 061 Warm Sand-Yellow
 A.MIG 102 RAL 801 Ochre Brown
 A.MIG 915 Dark Green

T-14 ARMATA What if camouflage pattern



*These camouflage patterns are hypothetical and have not been seen on any T-14 ARMATA, although if in a future this tank is camouflaged it could incorporate these options, this is only a suggestion to modellers that want to do something different or explore a new or hypothetical alternative.





HobbyTerra.com