

 bend  
ohnout

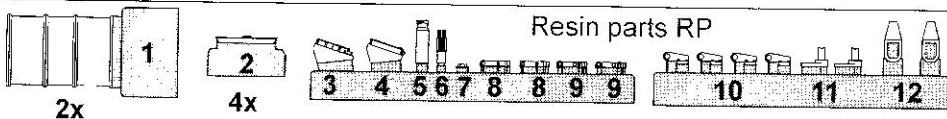
 symmetrical assembly  
symetrická montáž

 remove  
odstranit

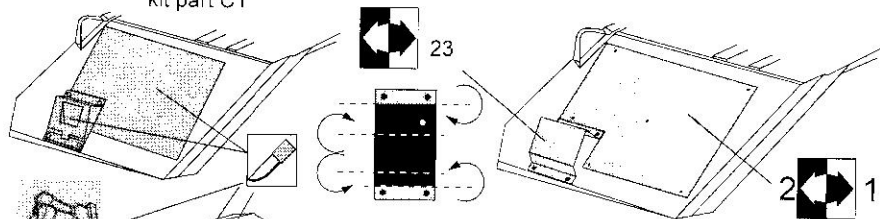
 optional  
volba

 replace  
nahradit

### Resin parts RP

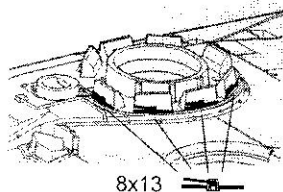
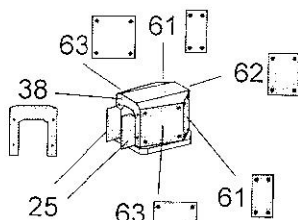


kit part C1

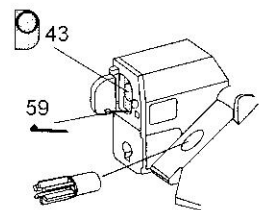


kit part A24+25

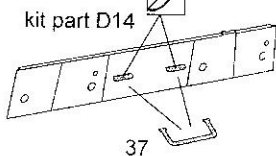
kit part D9+10



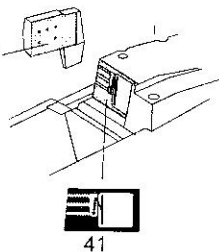
kit part D6



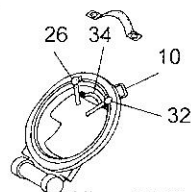
RP6



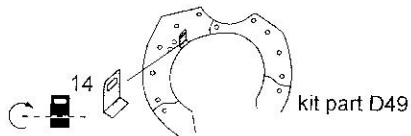
kit part D14



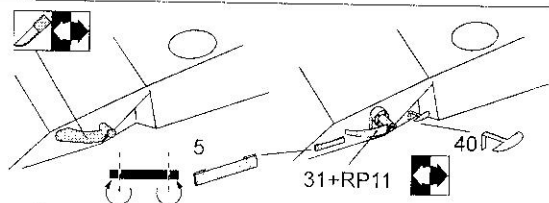
41



kit part D52

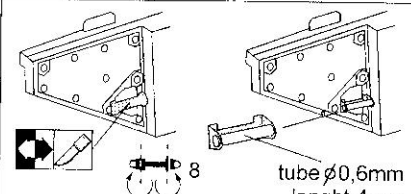


kit part D49



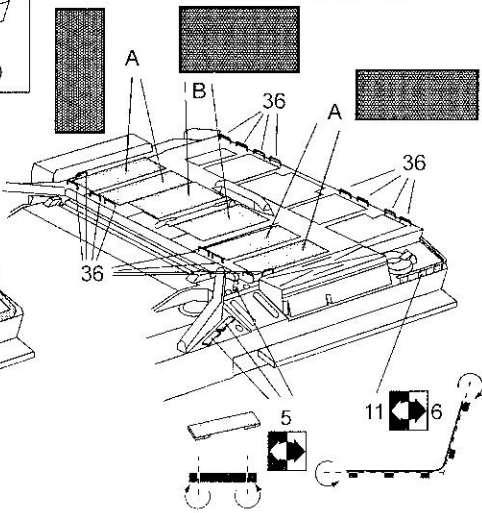
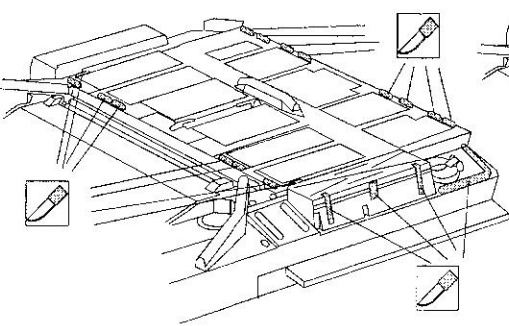
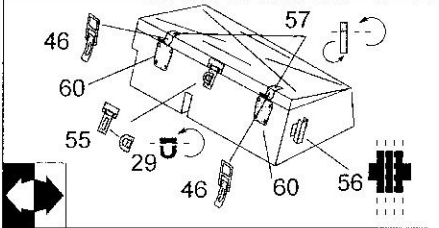
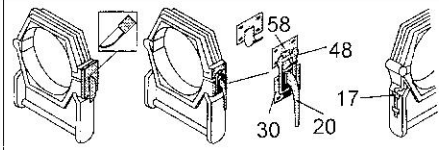
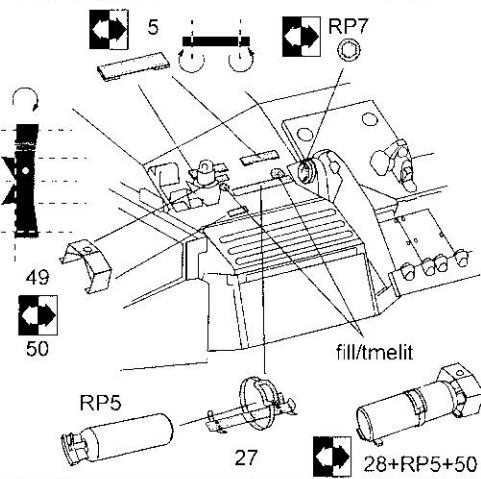
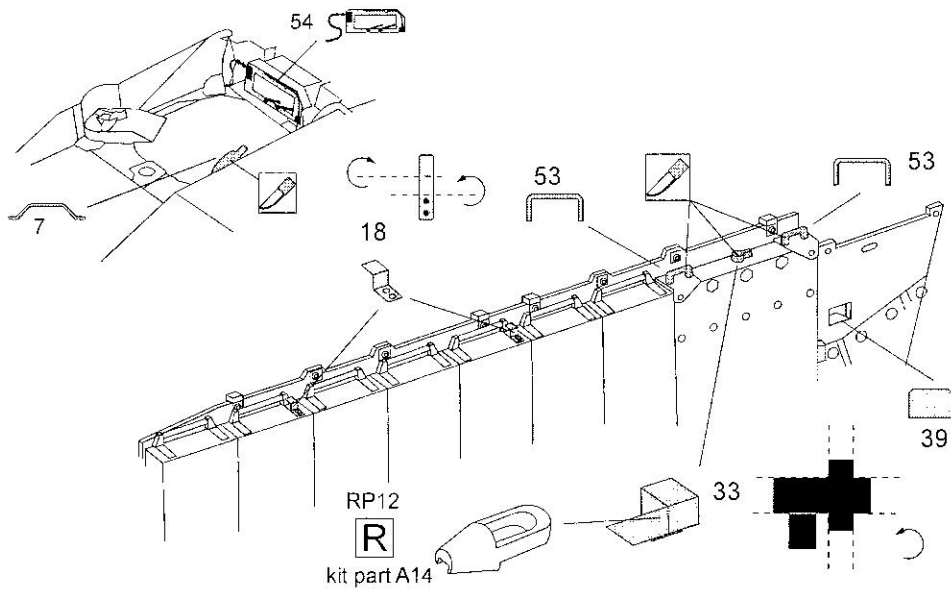
5

31+RP11



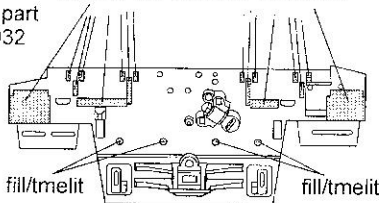
8

tube  $\varnothing 0,6\text{mm}$   
length 4mm

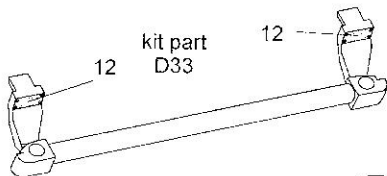


cut and fill / uříznout a zatmelit

kit part D32



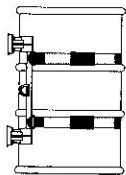
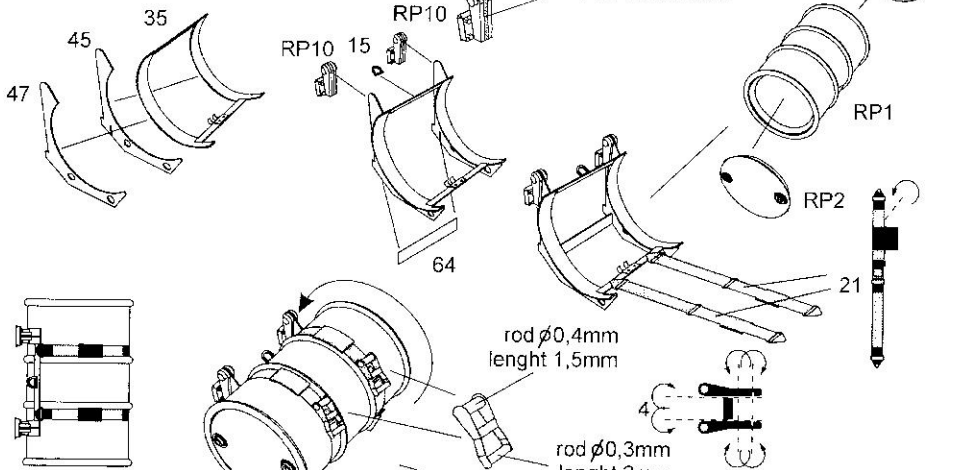
kit part D33



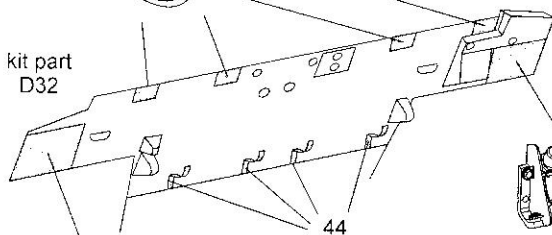
12

fill/tmelit

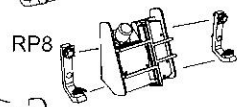
incision / naříznout



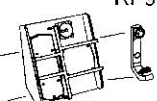
kit part D32



RP9



9



RP3

RP8

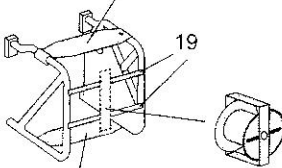
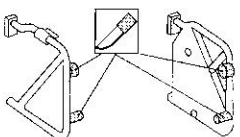
RP9

16

52

24

3



22

24

kit part D27

kit part D26

51

