

1/72 SCALE

SPITFIRE MK VB/TROP



EASY ASSEMBLY AUTHENTIC KIT

-  强力胶
-  配重
-  钻孔
-  切割
-  选择
-  不涂胶水
-  贴纸
-  弯曲

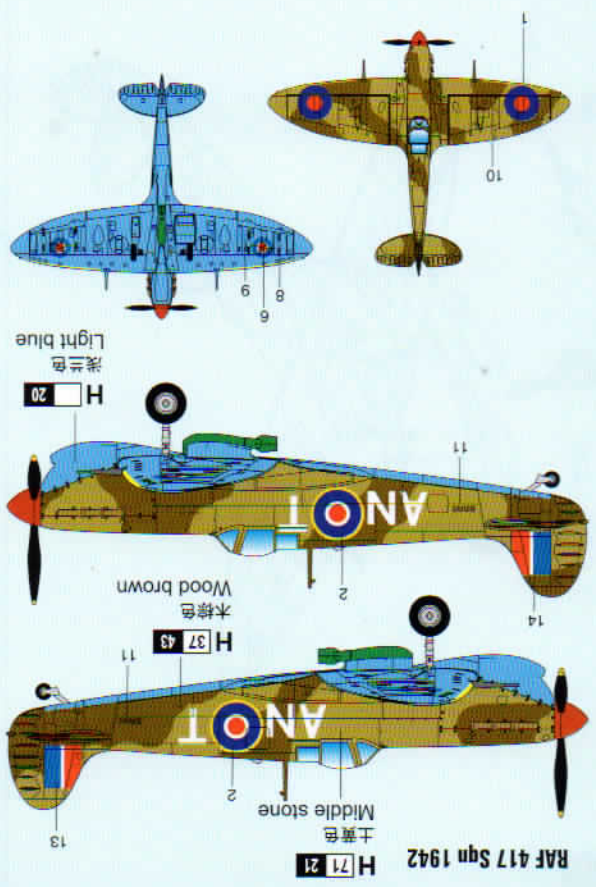
The way to apply the decals

1. Cut off the decal from the decal paper and put it into the warm water 40°C for 10 seconds.
2. Take the decal from the water and put it on a piece of clean cloth.
3. Remove the decal slowly from the paper to the targeted location by a wet finger.
4. Use a piece of dry and soft cloth to press it gently on the decal until it getting dry and no bubble existing.

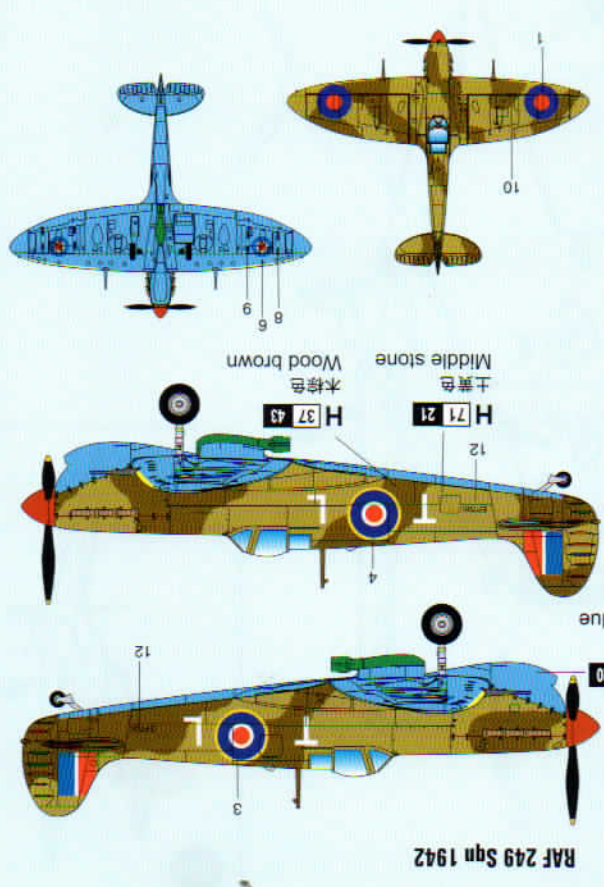
水贴纸的使用方法:

- 一. 把相关的印花从水贴纸上剪下, 放入40°C左右的温水中浸泡10秒。
- 二. 然后将印花放在干净的布上。
- 三. 拿上印花纸膜, 手指蘸水将印花移到适当的位置。
- 四. 用软干布轻轻印花直至水干, 气泡消失。

Painting & Marking guide
涂装与贴标指示



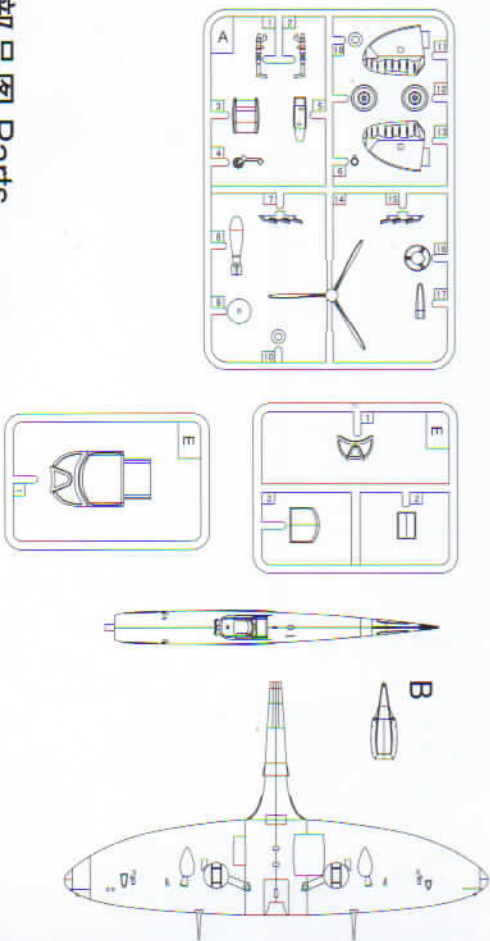
RAF 417 Sqn 1942



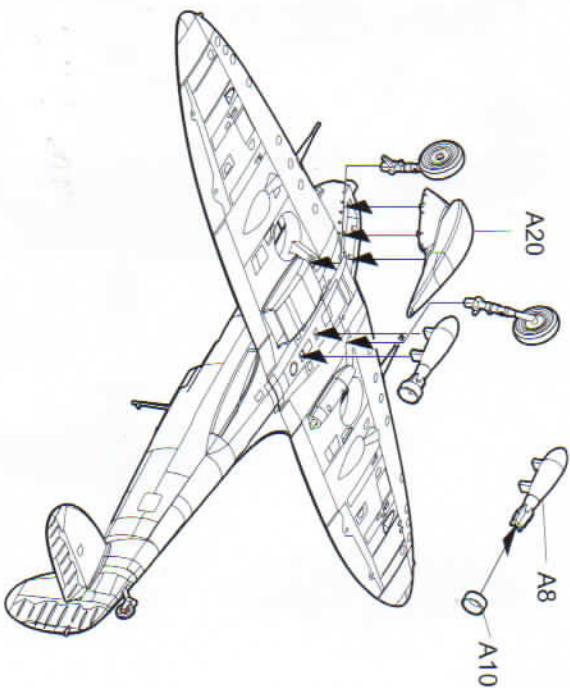
RAF 249 Sqn 1942

Some paints may not be available in your country. Please check your local hobby shop for substitute
H X GUNZE SANGYO AQUEOUS HOBBY COLOUR X GUNZE SANGYO MR.COLOUR

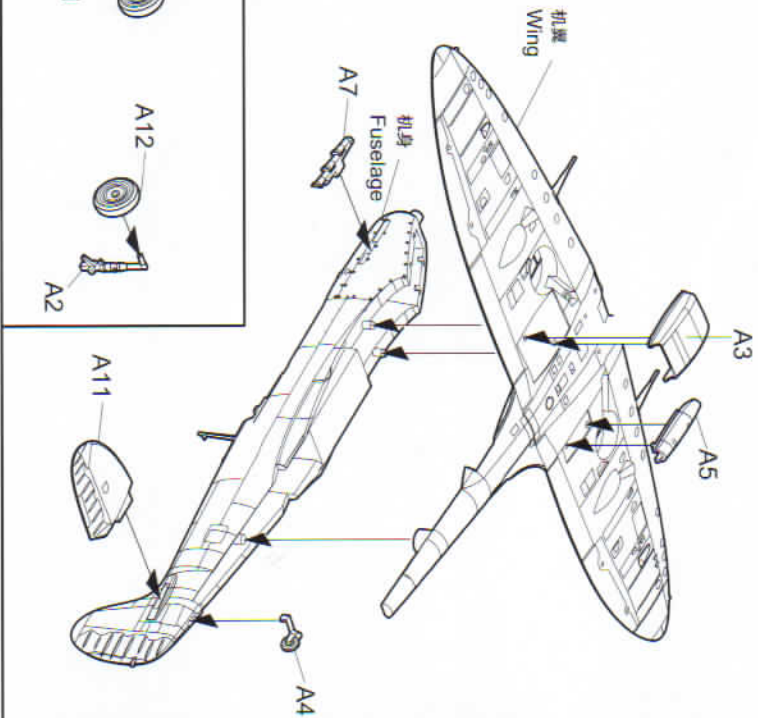
部品图 Parts



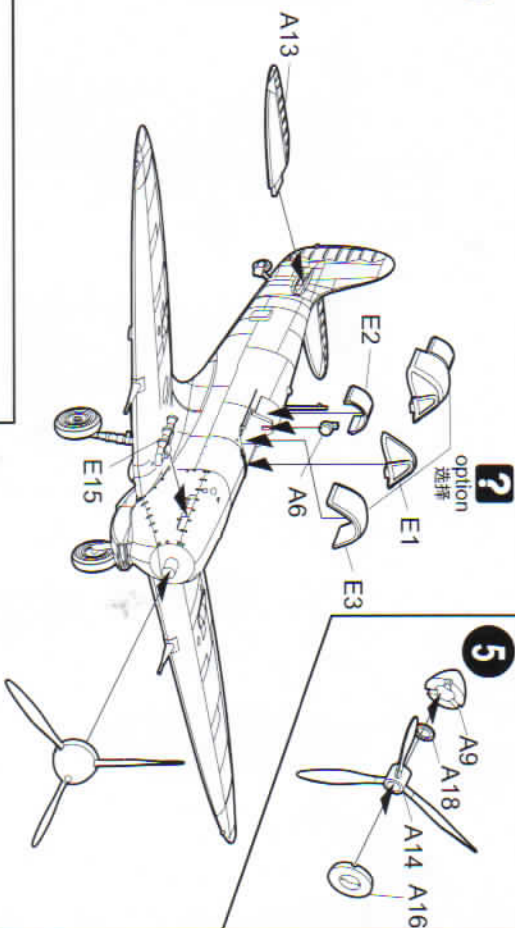
3



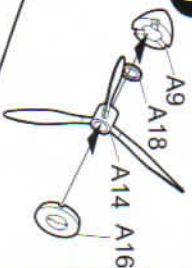
1



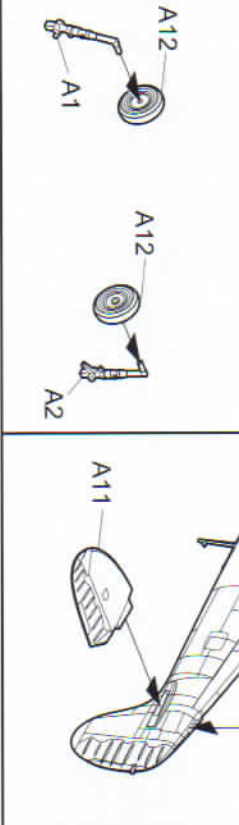
4



5



2



6

