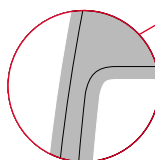
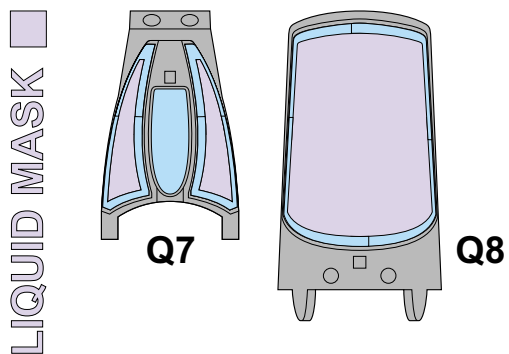
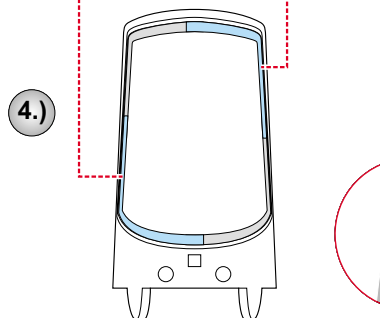
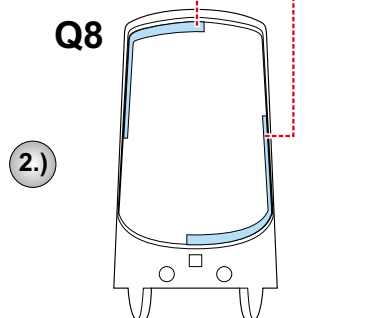
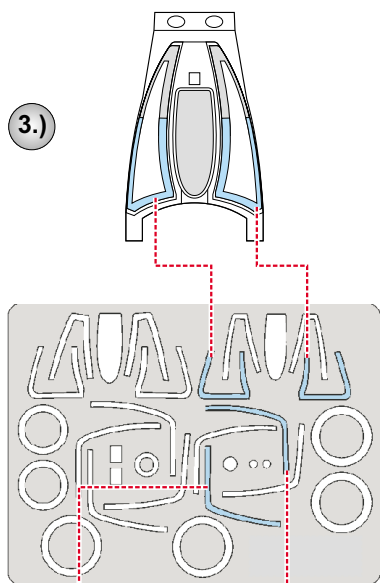
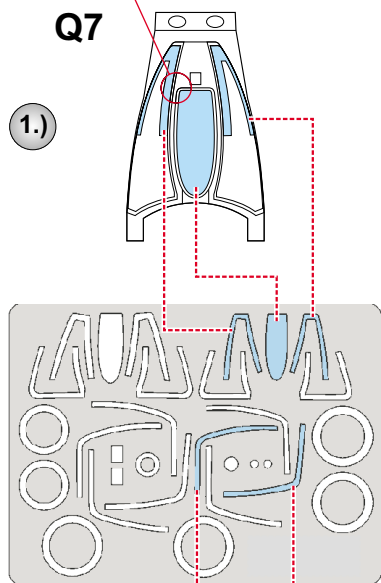
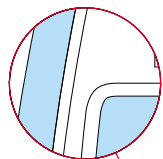
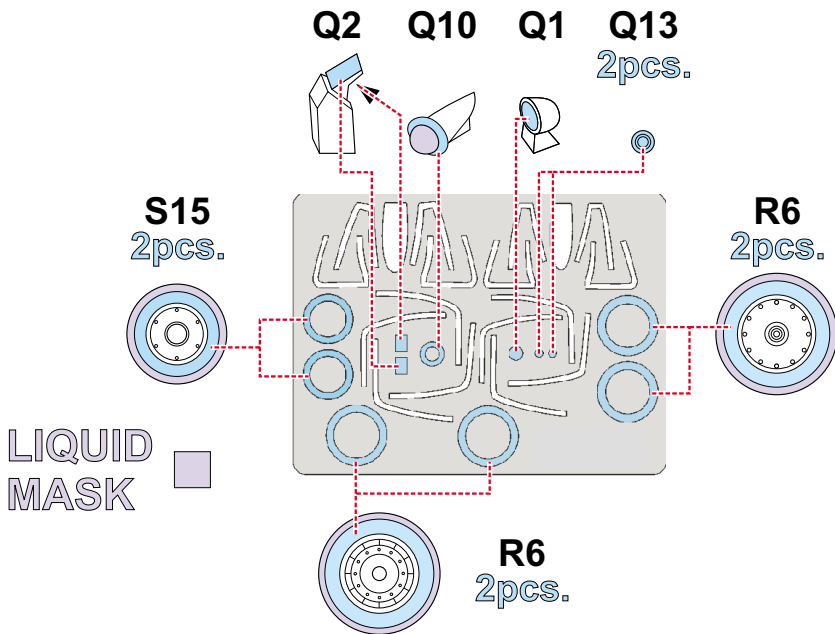
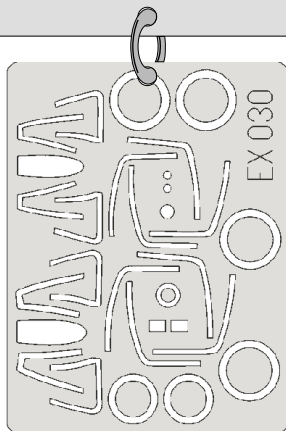


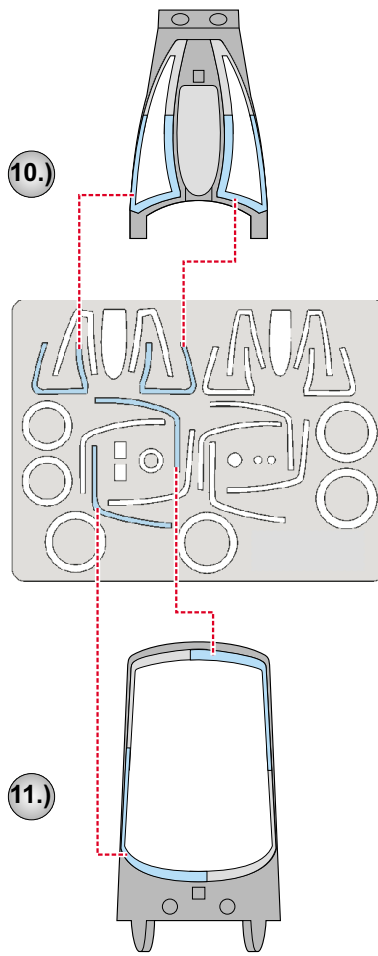
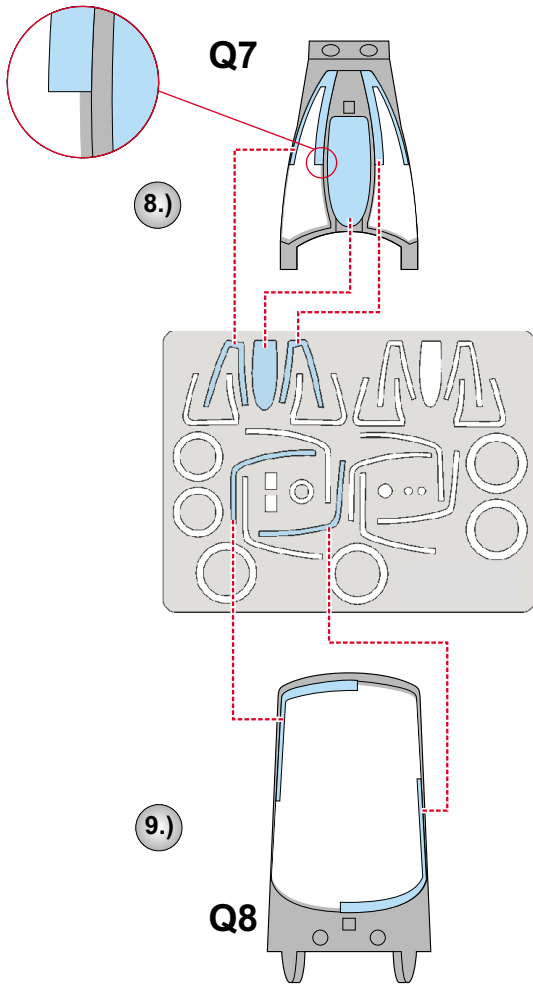
eduard
MASK

EX 030

F-8 Crusader

The die-cut mask for accurate canopy frame painting of the
Hasegawa 1/48 KIT

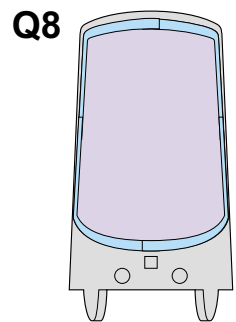
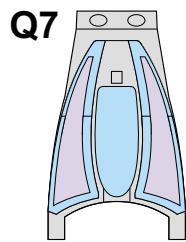




12.)



CAMOUFLAGE COLOR



LIQUID MASK ■

13.)

REMOVE MASK

