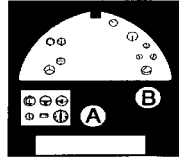
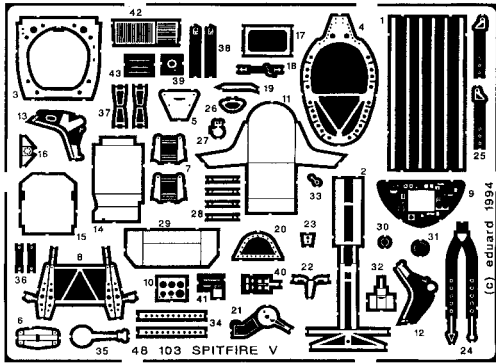




SPITFIRE Mk V

48 103

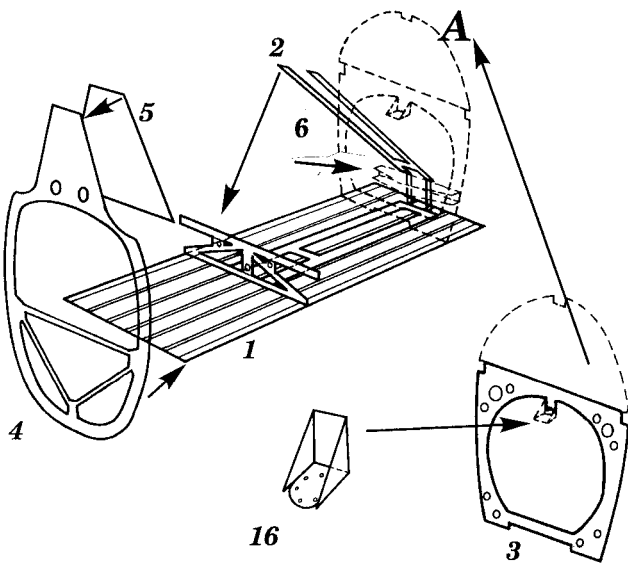
1/48th scale detail set for HASEGAWA kit



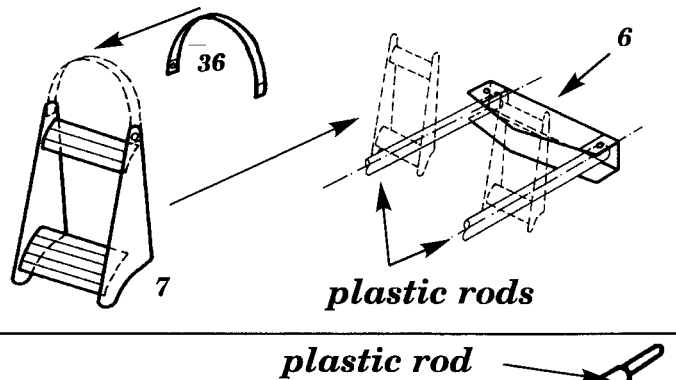
CAUTION!
 PHOTO-ETCHED PARTS CAN BE ONLY GLUED WITH CYANOACRYLATE GLUE. WORK IN A WELL VENTILATED AREA. DON'T INHALE WAPORS, SINCE THESE CAN BE HARMFUL. WASH YOUR HANDS AFTER USING.

- OPPOSITE SIDE
- REMOVE

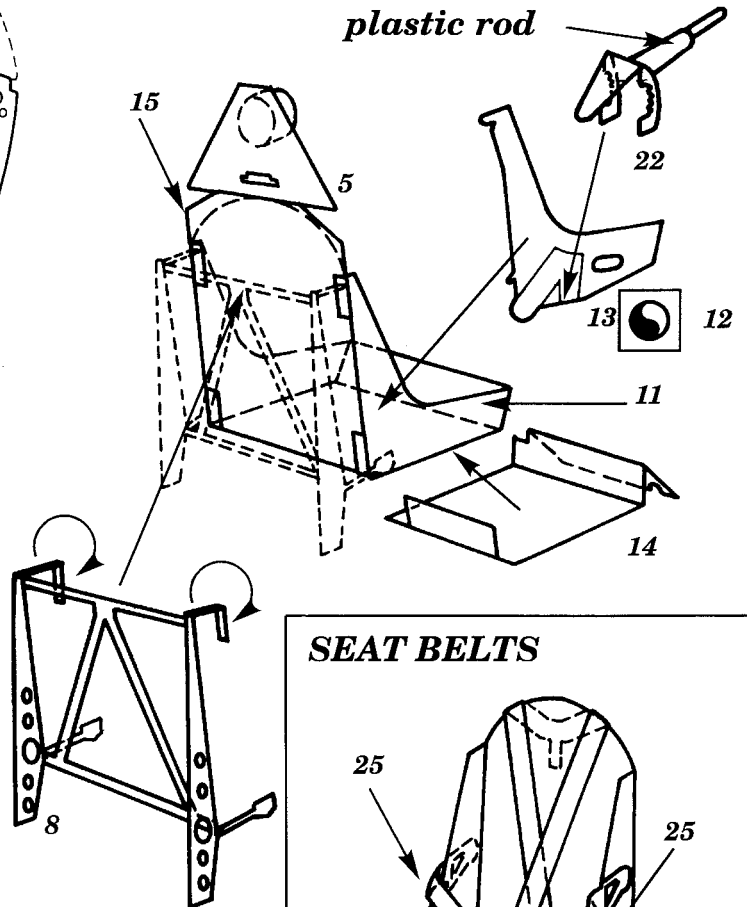
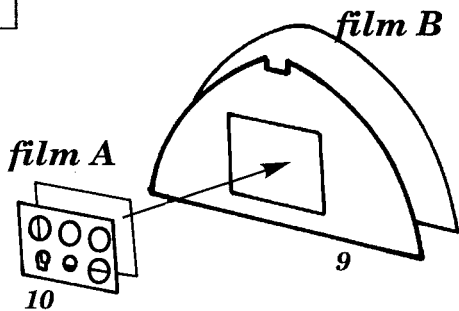
COCKPIT BOTTOM



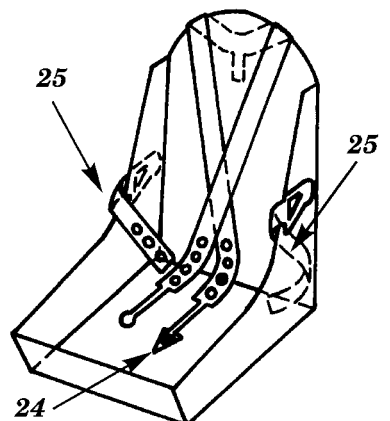
RUDDER PEDALS



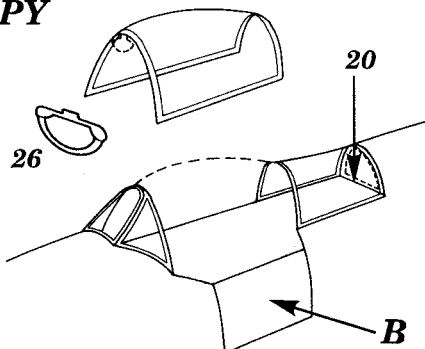
A INSTRUMENT PANEL



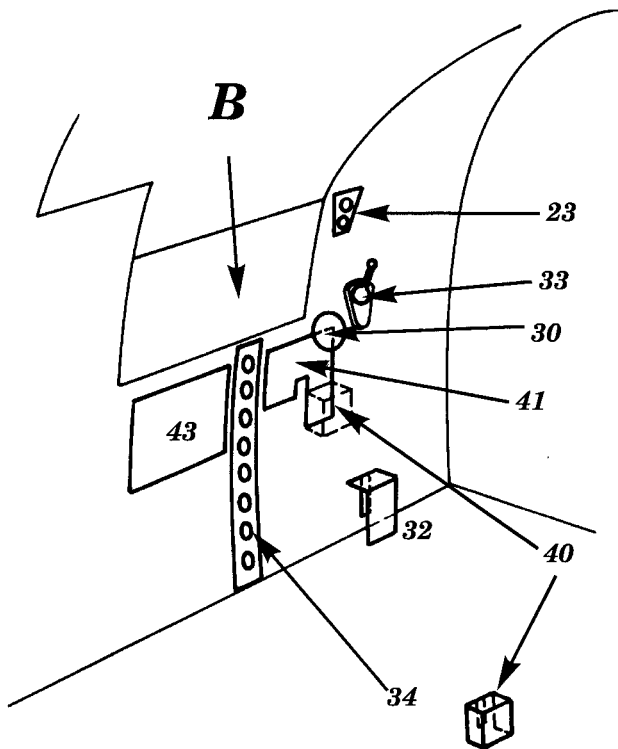
SEAT BELTS



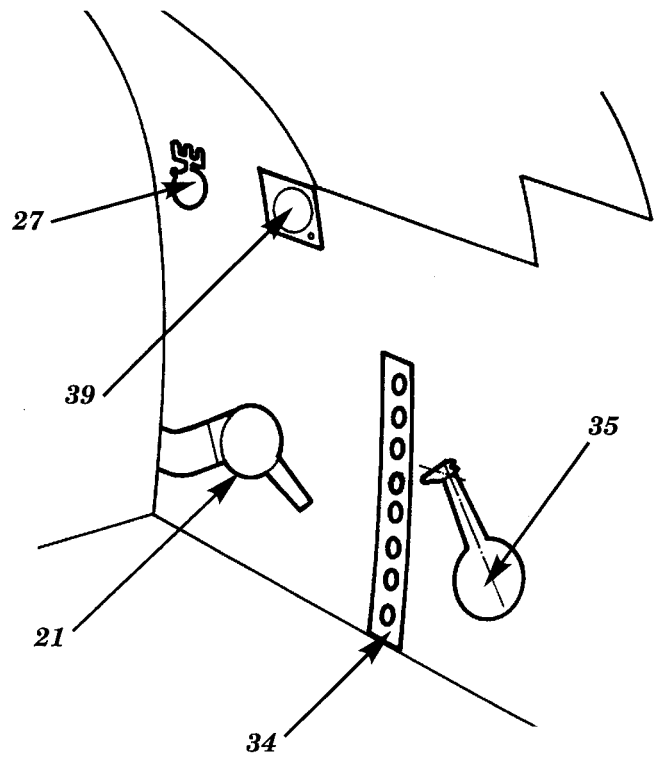
CANOPY



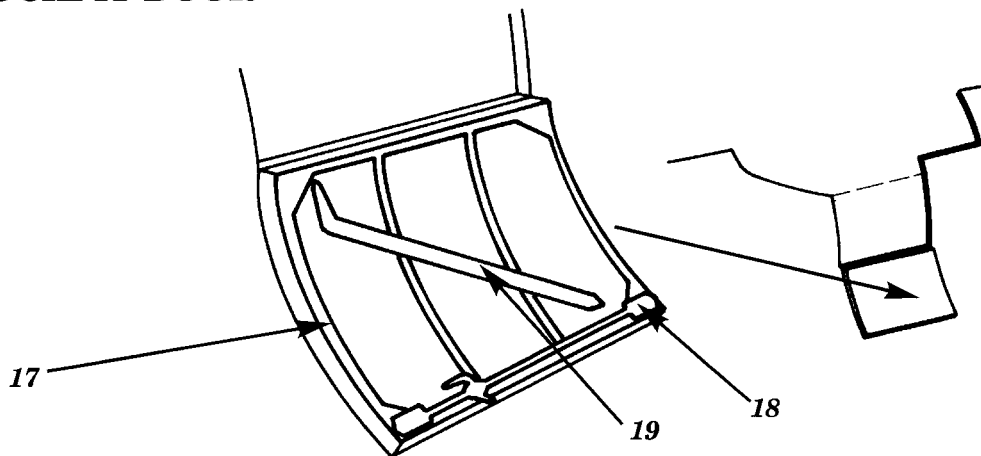
COCKPIT LEFT SIDE



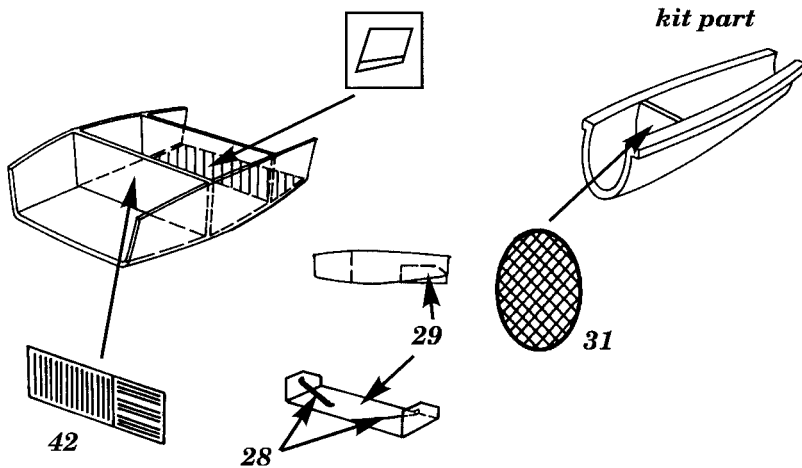
COCKPIT RIGHT SIDE



B COCKPIT DOOR



RADIATORS



MAIN UC STRUT

