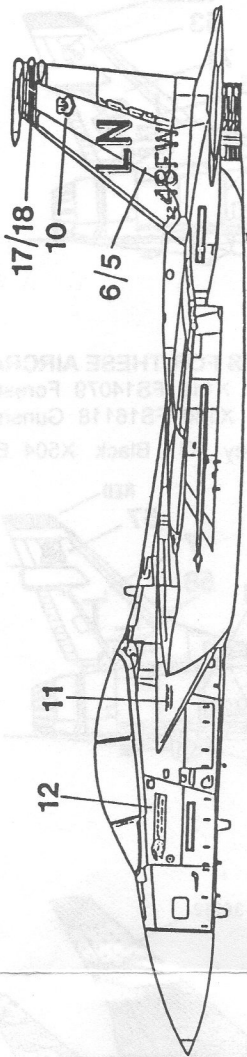
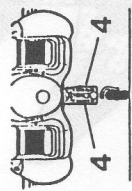
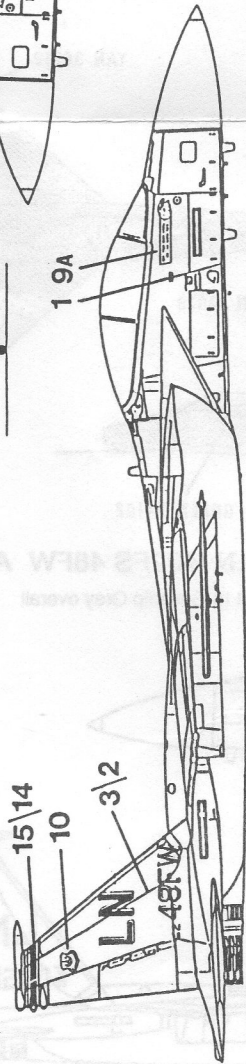




F-15E-50-MC 90-0248/LN 48FW October 1992

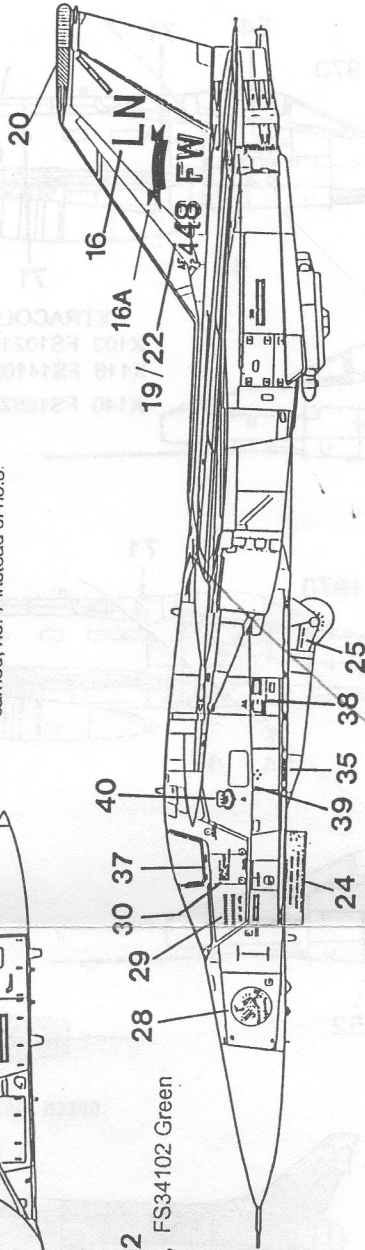
Standard FS36118 Gunship Grey overall



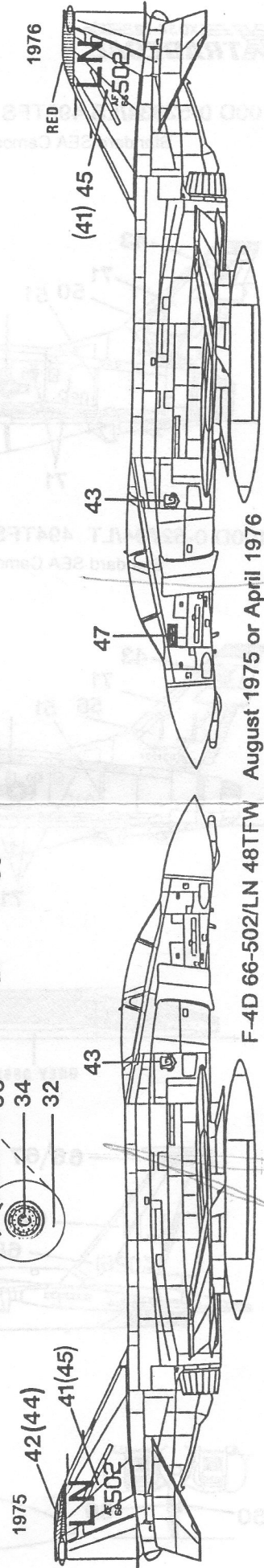
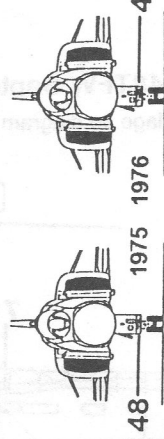
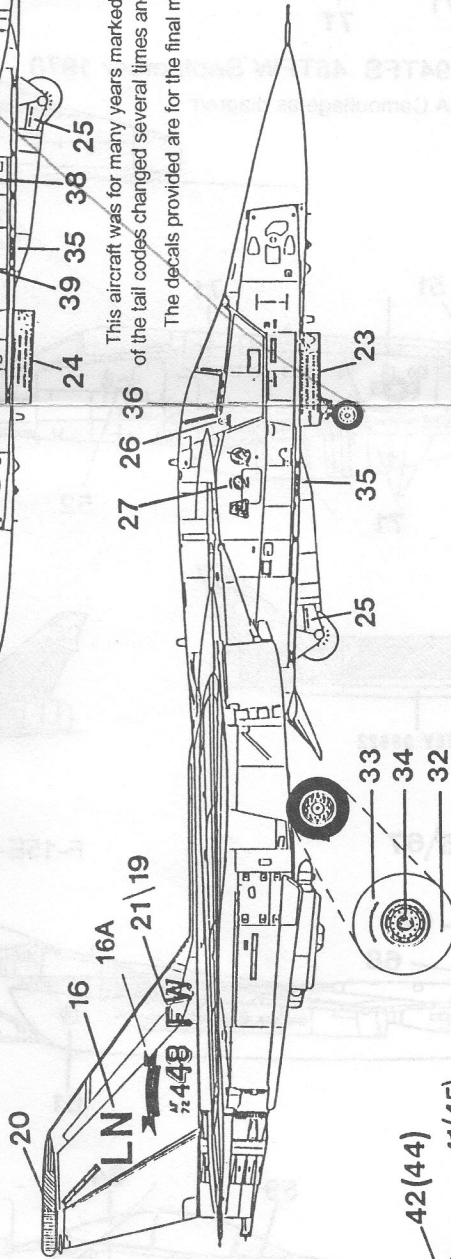
Note: In May 1992 the Commander and Crew Chief names were as decals nos. 8/9 which were located in the positions shown for nos. 12/9A. For a short time no CO name was carried, no. 7 instead of no.8.

F-111F 72-448/LN 48FW May 1992

Standard SEA camouflage of FS30219 Tan, FS34079 Green, FS34102 Green with black undersurfaces and radome.



This aircraft was for many years marked with the Wing Commanders name and over these years the style of the tail codes changed several times and the Miss Liberty badge on the nose also varied as it was repainted. The decals provided are for the final markings carried at the end of it's career prior to it's return to USA

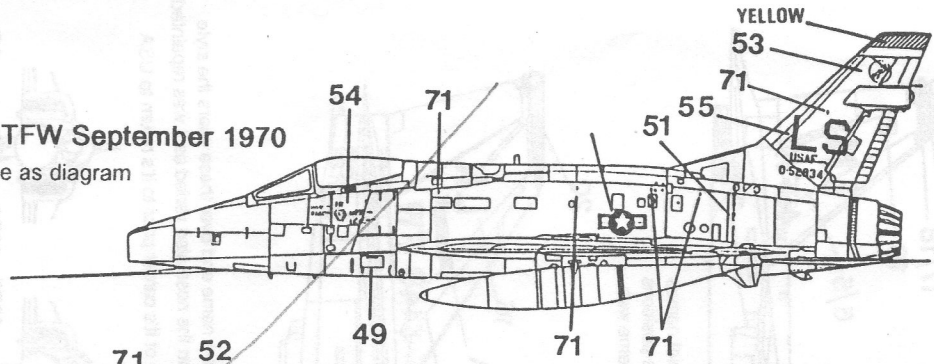
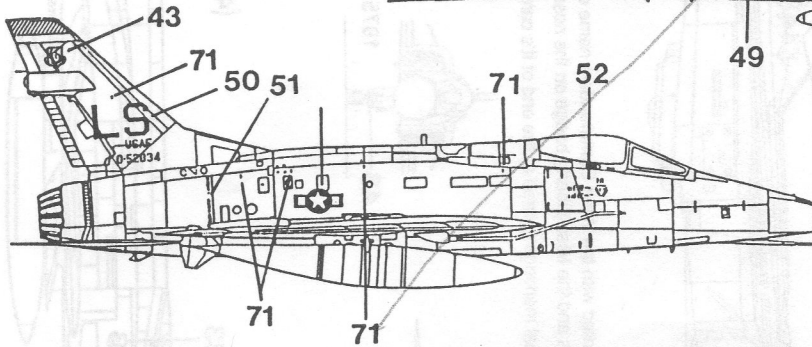


F-4D 66-502/LN 48TFW August 1975 or April 1976

Standard SEA camouflage of FS30219 Tan, FS34079 Green, FS34102 Green with FS36622 Grey undersurfaces. In 1975 the multi coloured fin top was carried, but by 1976 this had been changed to plain red for the 494TFS, crew name (47) added with a red stripe (46) on the nose wheel door.

F-100D 0-52834/LS 493TFS 48TFW September 1970

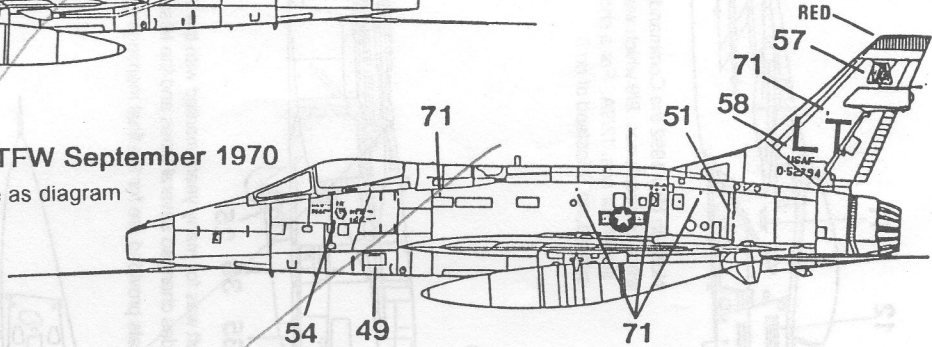
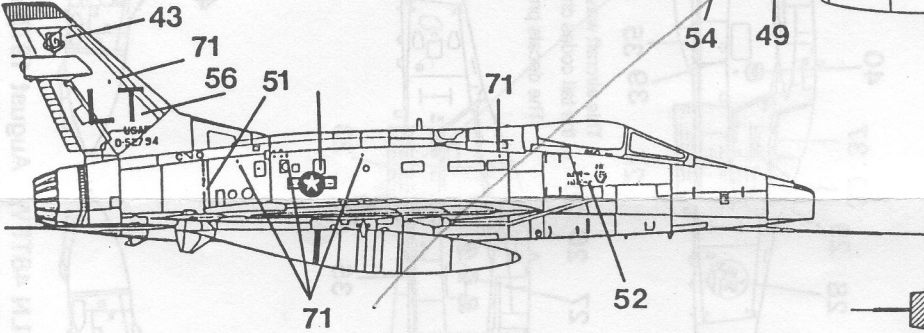
Standard SEA Camouflage as diagram



XTRACOLOR PAINTS FOR THESE AIRCRAFT
 X102 FS10219 Tan X110 FS14079 Forest Green
 X116 FS14102 Green X130 FS16118 Gunship Grey
 X140 FS16622 Light Grey X12 Black X504 Exhaust

F-100D 0-52794/LT 494TFS 48TFW September 1970

Standard SEA Camouflage as diagram



TAN 30219

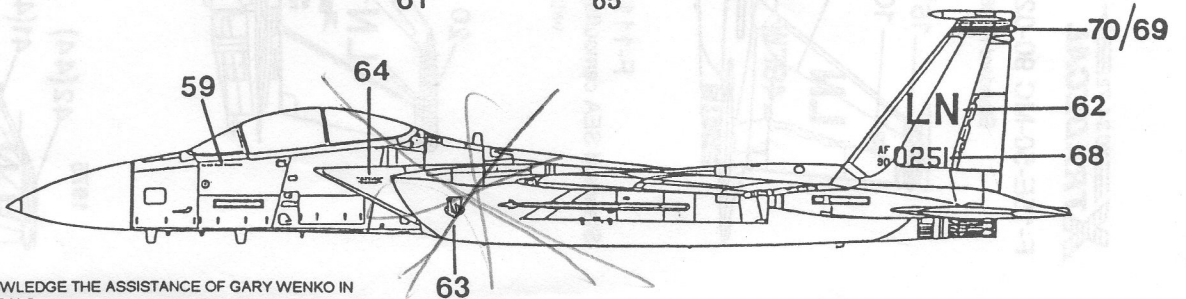
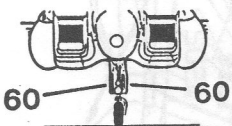
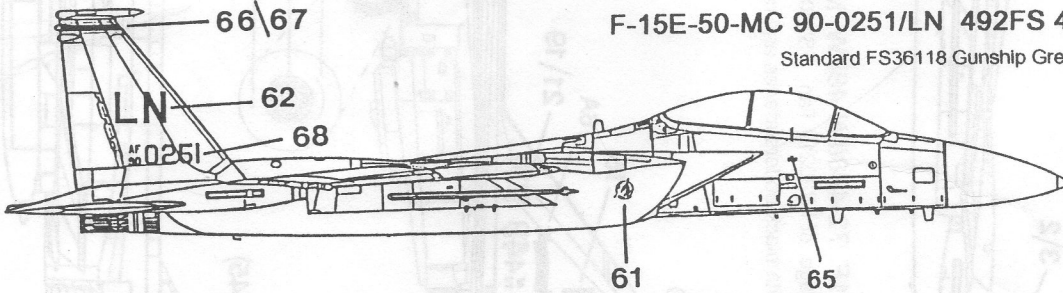
GREEN 34079

GREY 36622

GREEN 34102

F-15E-50-MC 90-0251/LN 492FS 48FW August 1992

Standard FS36118 Gunship Grey overall



LN 1

XO34-72 TRADEGAL

11

LN

2 AF 2 48FW

3 4 5

6 AF 2 48FW

7 48TH PW COMMANDER

9

9A

10

8 48TH PW COMMANDER ORIGINAL MIKE SMITH

DEGRADED CREW CHIEF THEY DON'T KNOW

SOO THAT EVERY ALIEN AND THE JAMES BOND

W/10-10L EXP/1000000 ASD-EXP/100 LINE

12

14

15

17

18

LN LN

16

19

20

19

AF 72 448 FW

AF 72 448 FW

21

23

24

22

25 STRIKE CLEAR

26

27

28

29

30

31

32

33

34

35

36

37

38

39

40

41

42

43

44

45

46

47

48

49

50

52

43

53

54

55

USAF 0-52834

51

71

USAF 0-52834

56

52

43

57

49

58

USAF 0-52794

71

USAF 0-52794