



French R39 Light Infantry Tank

フランス軽戦車 ルノーR39 法国R39轻型坦克

PLEASE READ BEFORE OPERATION!

- * Tools recommended as below: (Not included)
Adhesives; Paints; Side Cutters; Sharp Edged Pliers; Modeling Knife; Modeling File; Nippers; Drill; Scissors; Sand Paper; Soft Cloth; Cyanoacrylate Glue.
- * Make sure to read this instruction listed below before assembling.
- * The kit contains the small parts, they can be dangerous if swallowed by mistake, so keep them away from reach of children.
- * Cut the all parts off carefully and remove the waste parts into the garbage can.
- * More caution and care should be needed for cutting and handling the photo etched parts.
- * Make attention that some parts should be attached the decal when assembled.
- * During assembling, please tear up and throw away the plastic bags, or may cause the dangerous if wearing over head by children's mistake.
- * When using the adhesives and paints, please do not use them in the closed room or near the fire, also must be very careful to protect your eyes, face and clothes.
- * Adult supervised when assembled by children under 14 years old.

装配前请仔细阅读：

- * 推荐使用的模型工具(请自备):
专用模型胶水, 专用模型油漆, 水口剪刀, 长咀钳, 刀片, 锉刀, 镊子钳, 钻, 剪刀, 软布, 砂纸, 瞬间快干胶等。
- * 用水口剪刀或刀片小心切下所有塑胶零件和蚀刻片零件, 不要遗失小零件。
- * 切取蚀刻片时应特别注意防止利边划伤手指。
- * 用模型锉刀小心锉平所有零件表面的注射浇口。
- * 用适量的强力快干胶水粘合蚀刻片零件和金属轴, 切忌过量, 否则可能导致可动零件被粘住。
- * 注意某些零件表面需在装配时同步贴水上贴纸。
- * 制作时应远离幼儿并将包装袋及时收妥, 谨防小孩玩耍而引起意外。



强力胶

Cyanoacrylate glue



配重

Weight



钻孔

Make hole



切除

Cut /Remove



选择

Option



不涂胶水

No cement



贴纸

Decal



弯曲

Bend



填补

Repair



先装

Install it first

The method to apply the decals

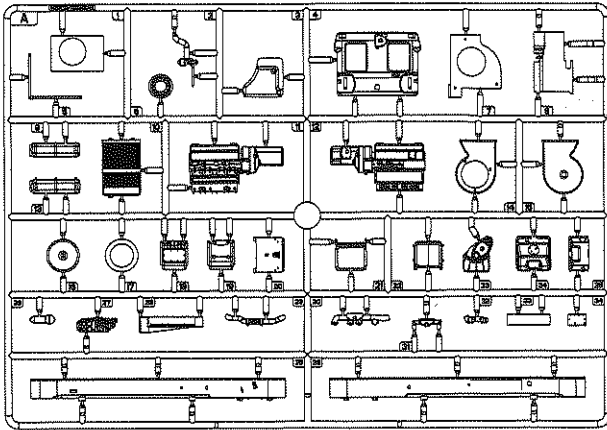
1. Cut off the decal from the decal paper and put it into the warm water 40°C for 10 seconds.
2. Take the decal from the water and put it on a piece of clean cloth.
3. Remove the decal slowly from the paper to the targeted location by a wet finger.
4. Use a piece of dry and soft cloth to press it gently on the decal until it getting dry and no bubble existing.

水贴纸的使用方法：

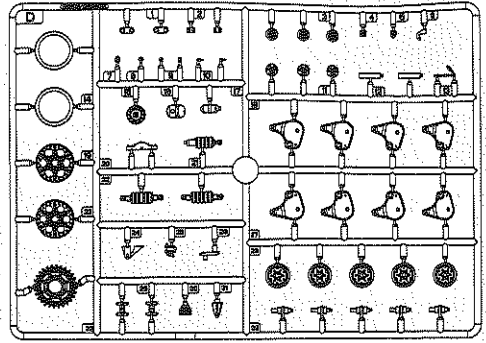
- 一. 把相关的印花从水贴上剪下, 放入40°C左右的温水中浸10秒。
- 二. 然后将印花放在干净的布上。
- 三. 拿上印花纸, 手指蘸水将印花移到适当的位置。
- 四. 用软干布轻压印花直至水干, 气泡消失。

部品图
Parts

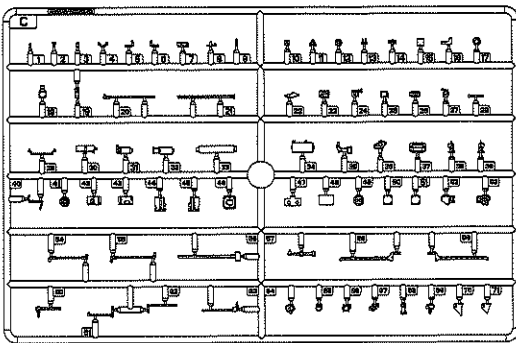
A



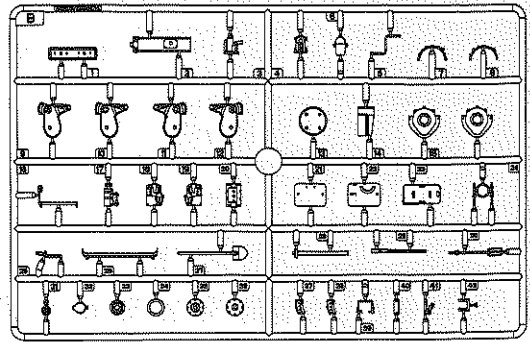
Dx2



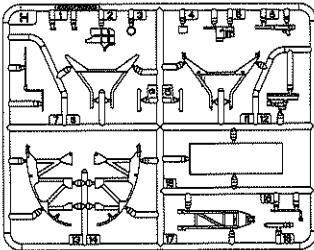
C



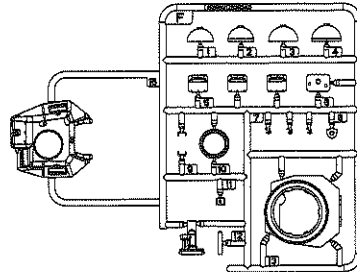
B



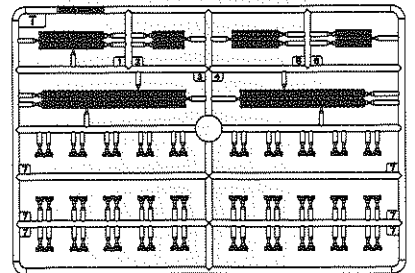
H



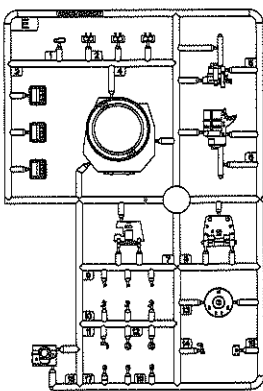
F



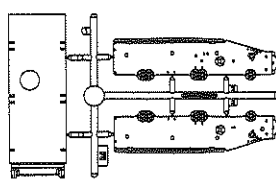
Tx2



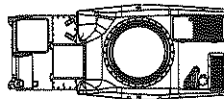
E



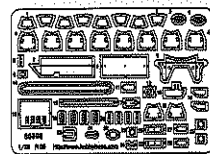
M



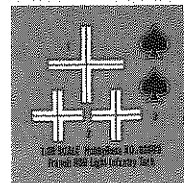
《车面》
Upper hull



PE

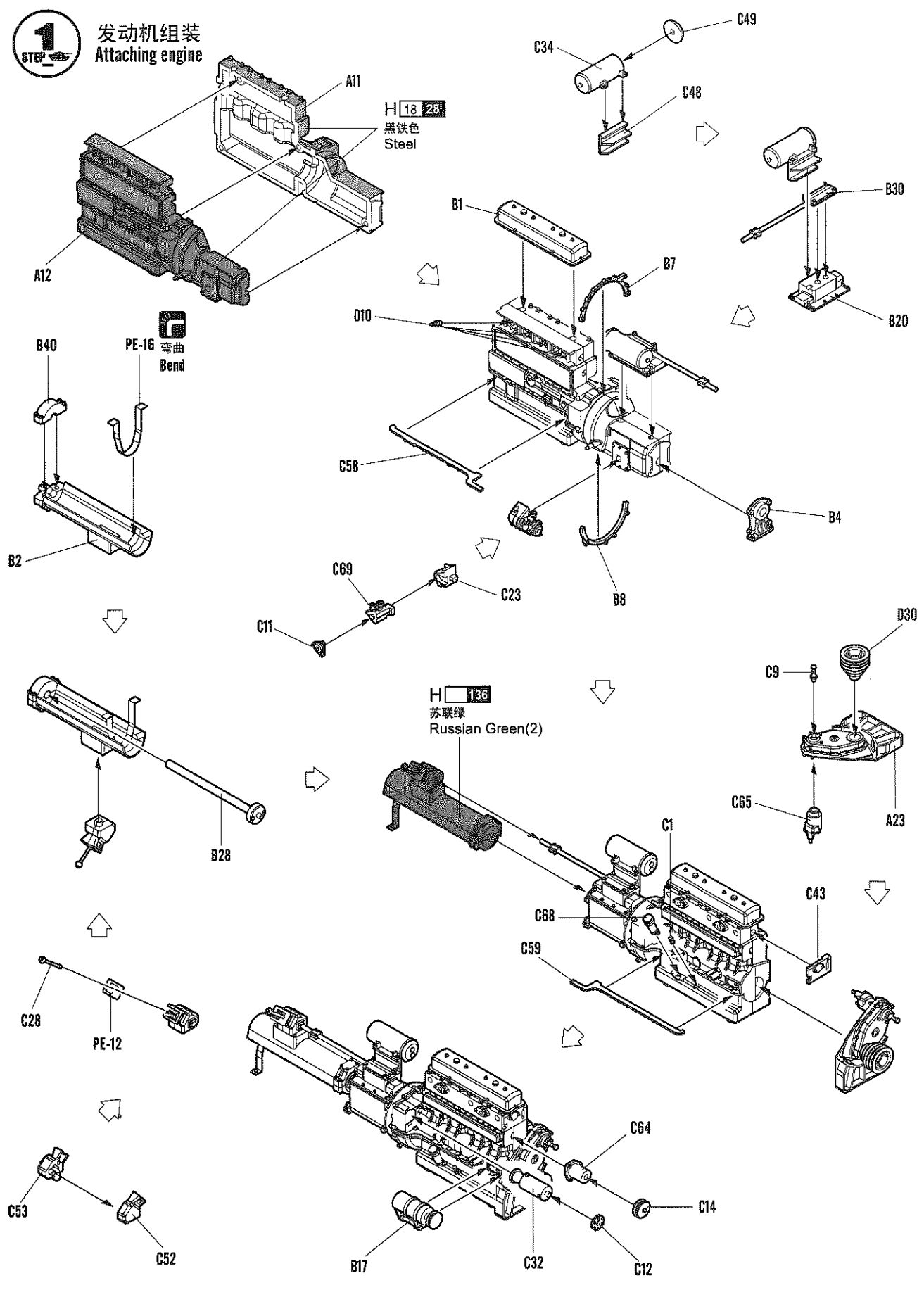


《水贴》
Decal

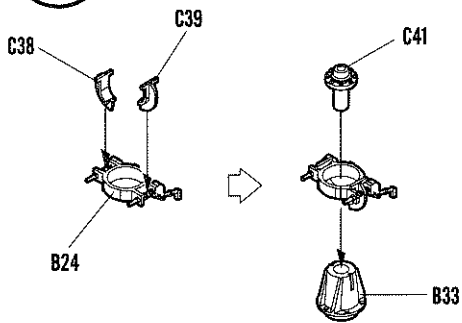


1
STEP

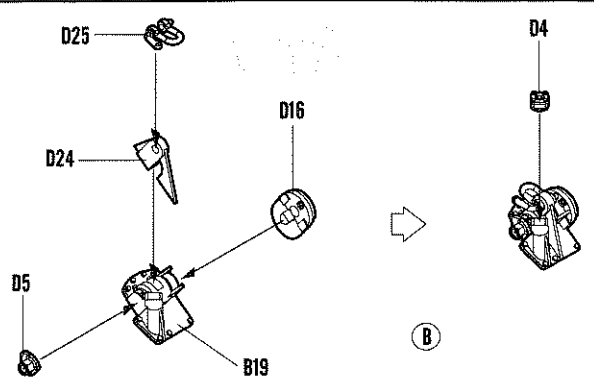
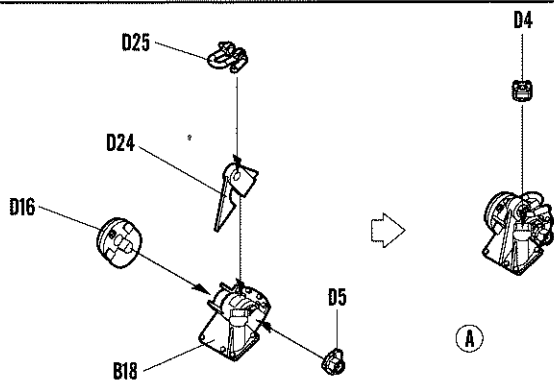
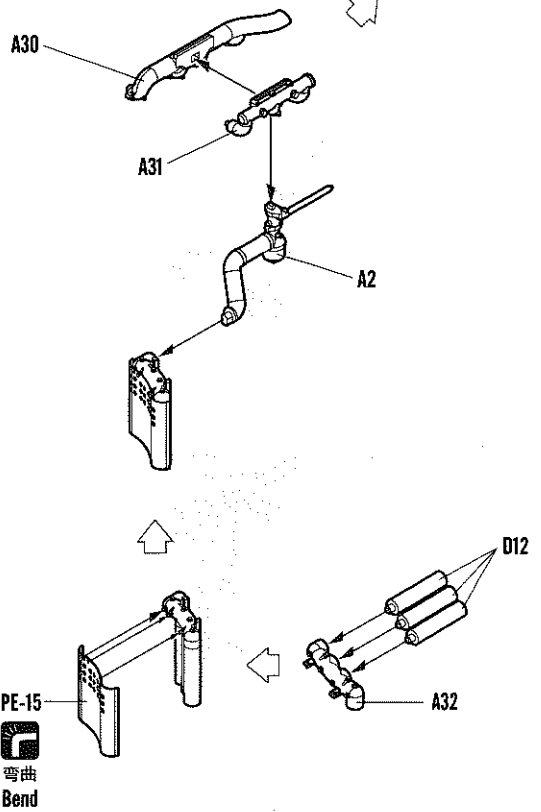
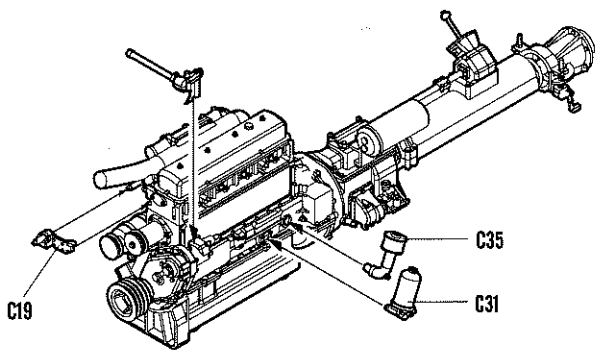
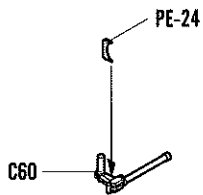
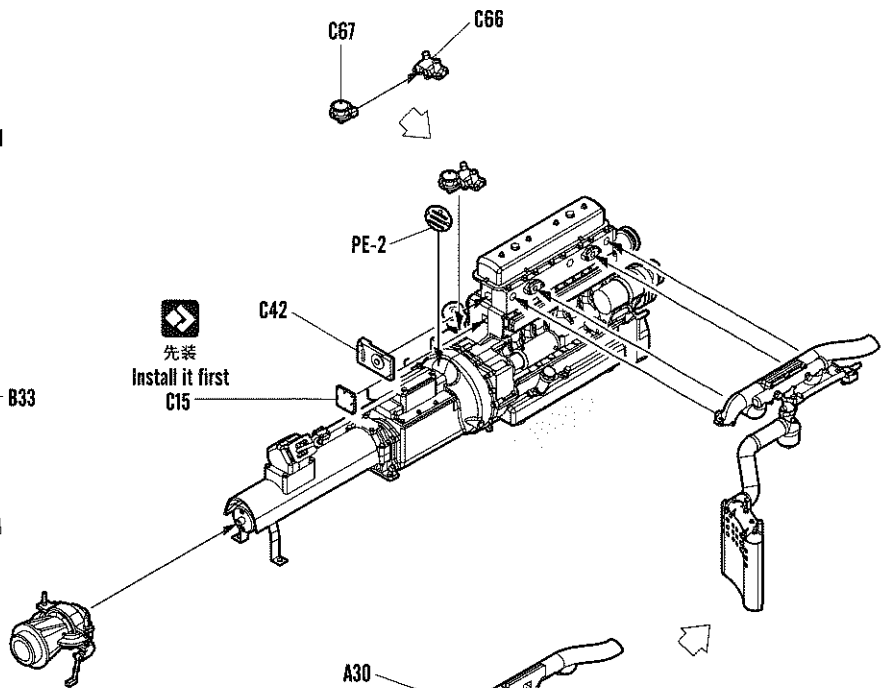
发动机组装
Attaching engine



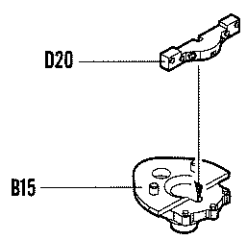
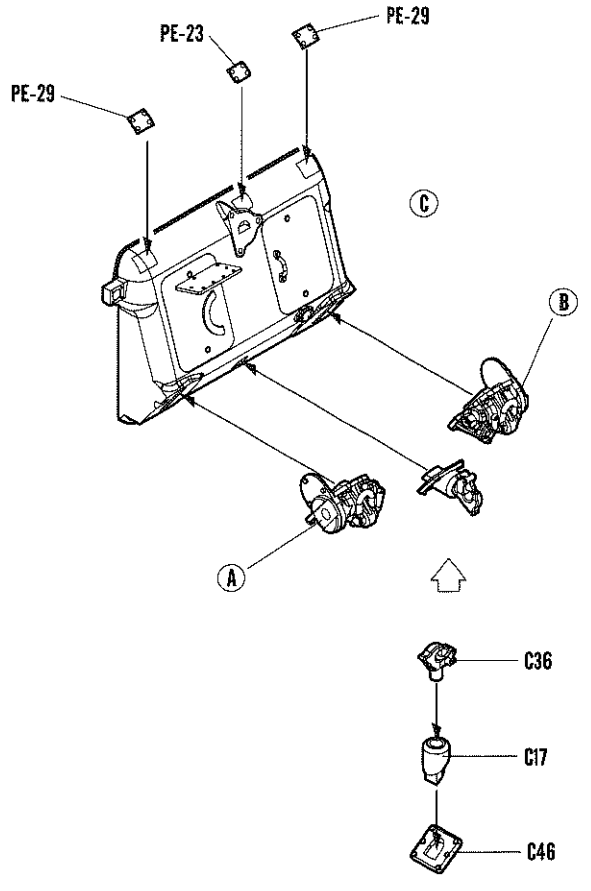
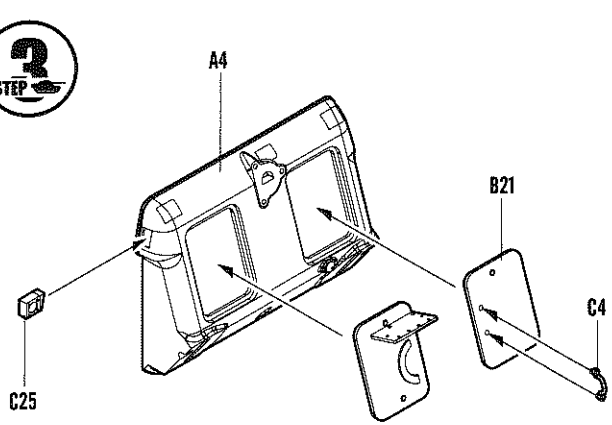
2
STEP




先装
Install it first
C15

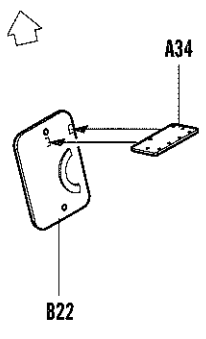


3
STEP

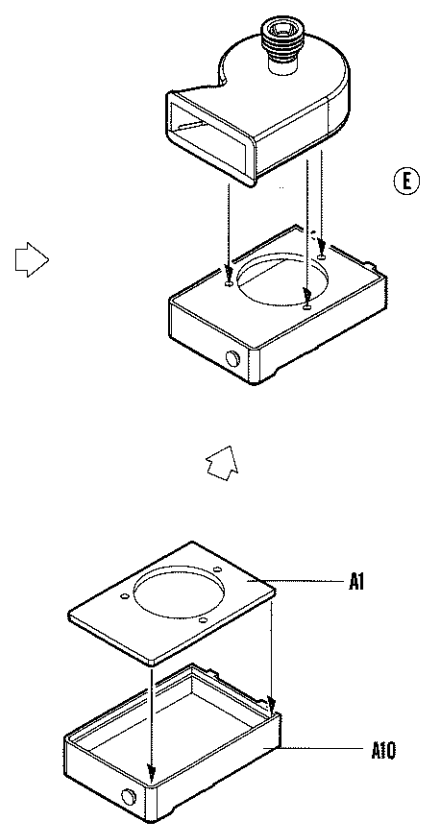
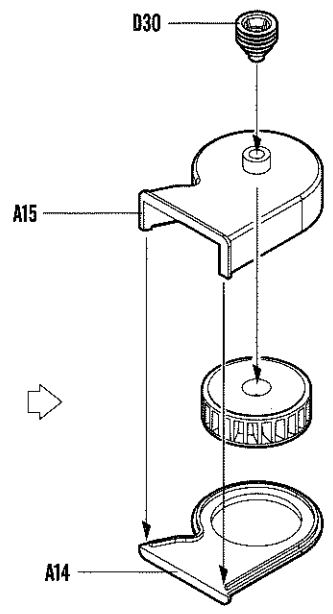
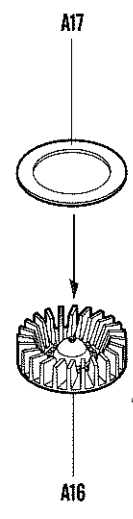


制作两组
Make two

D

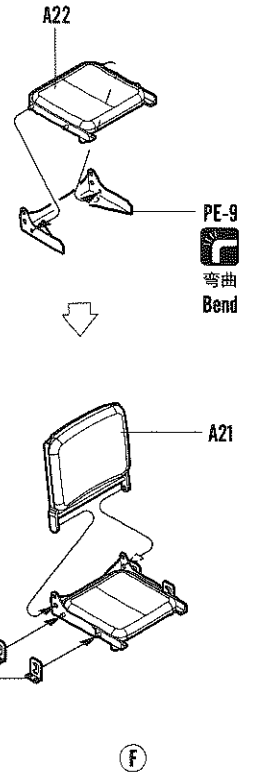
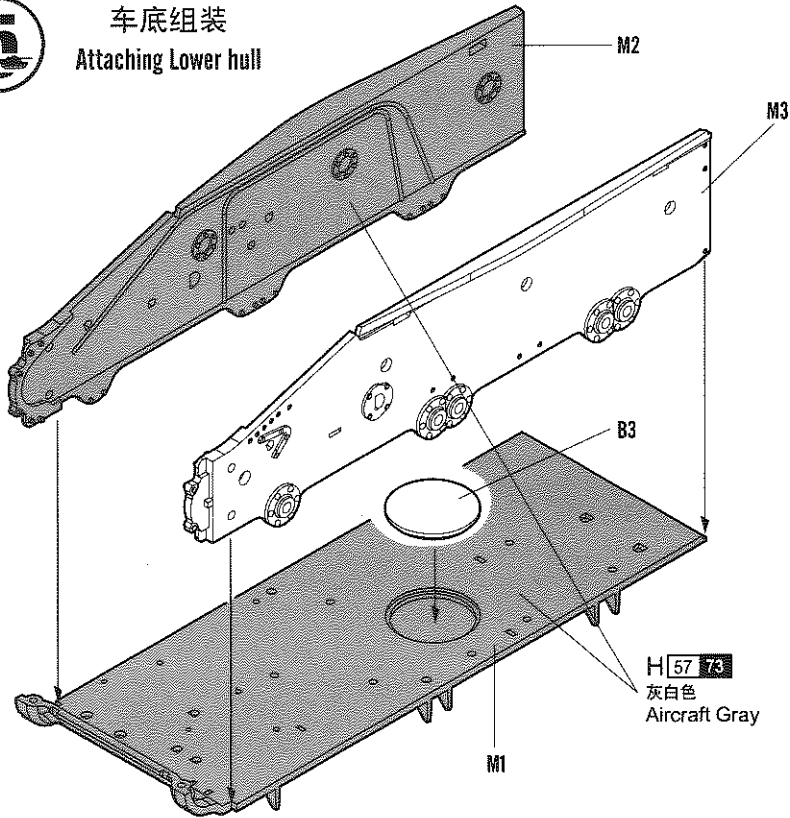


4
STEP

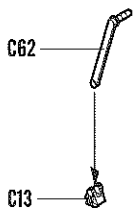




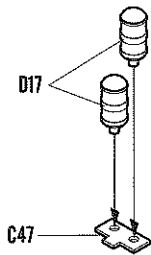
车底组装
Attaching Lower hull



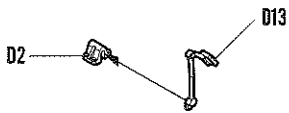
G



H

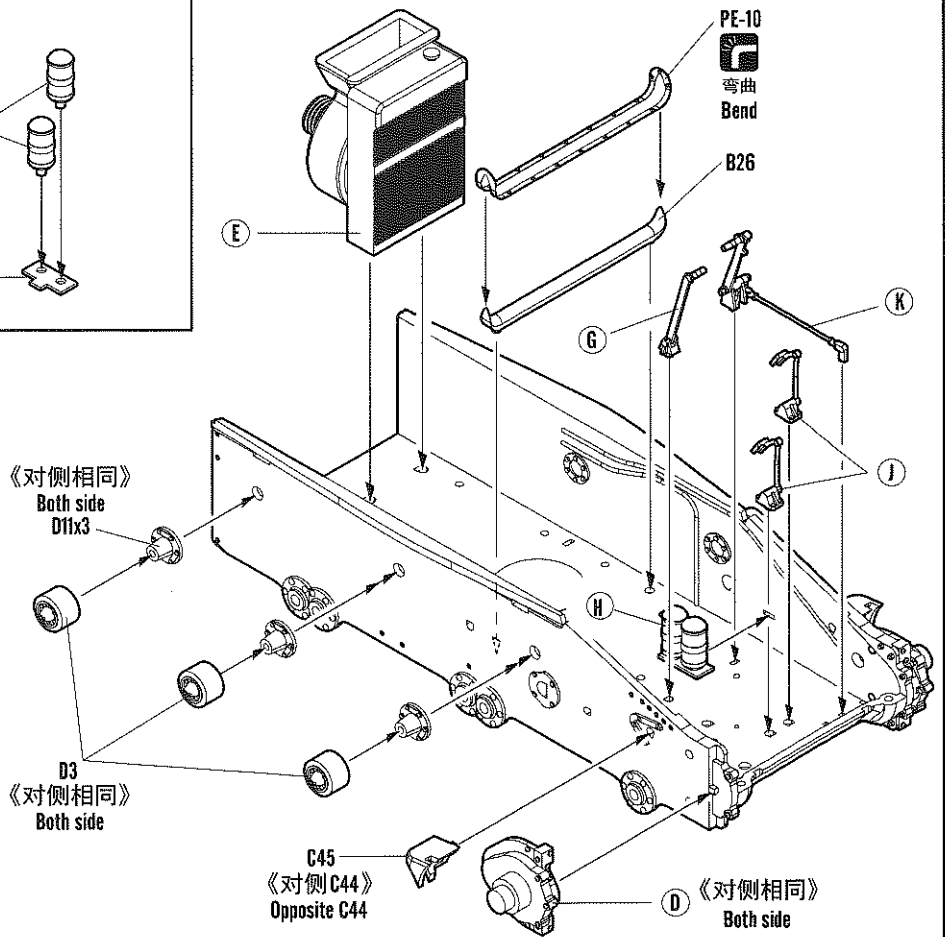
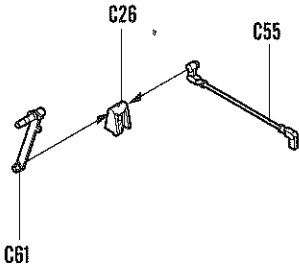


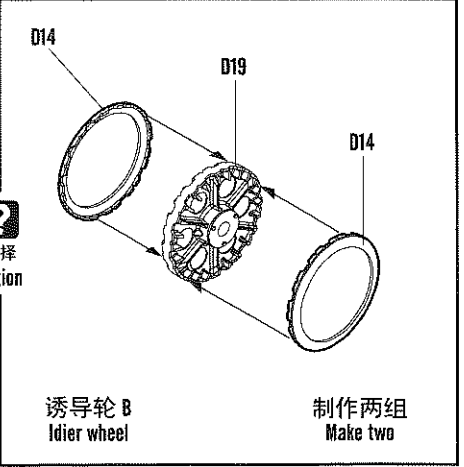
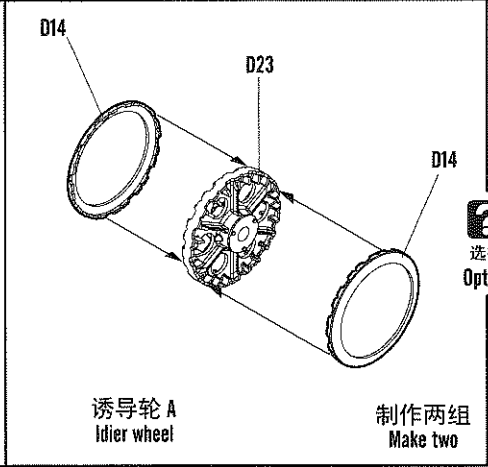
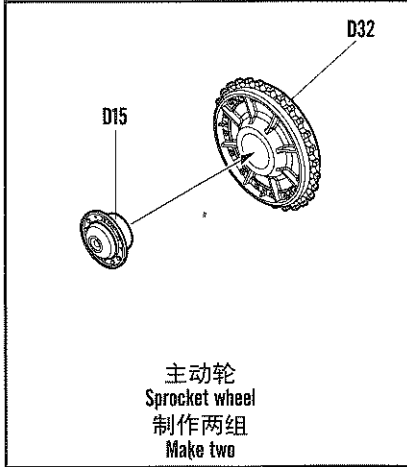
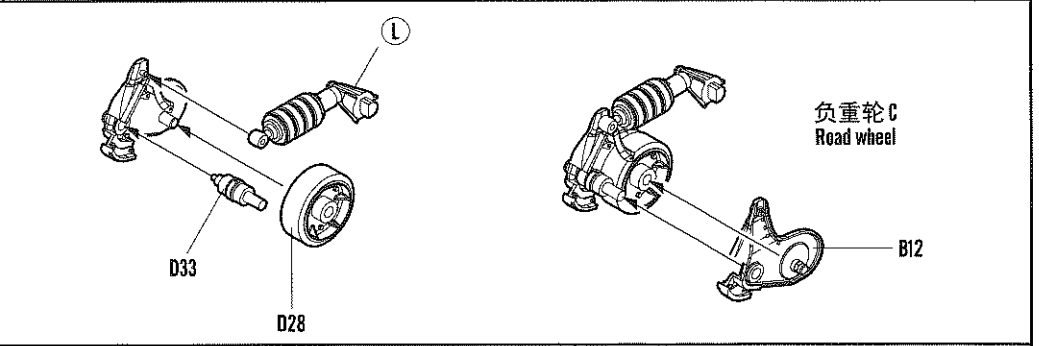
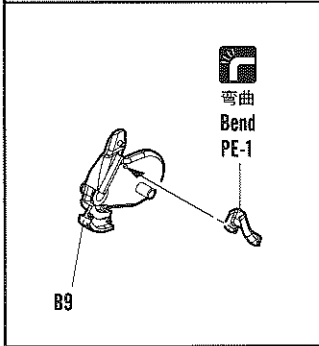
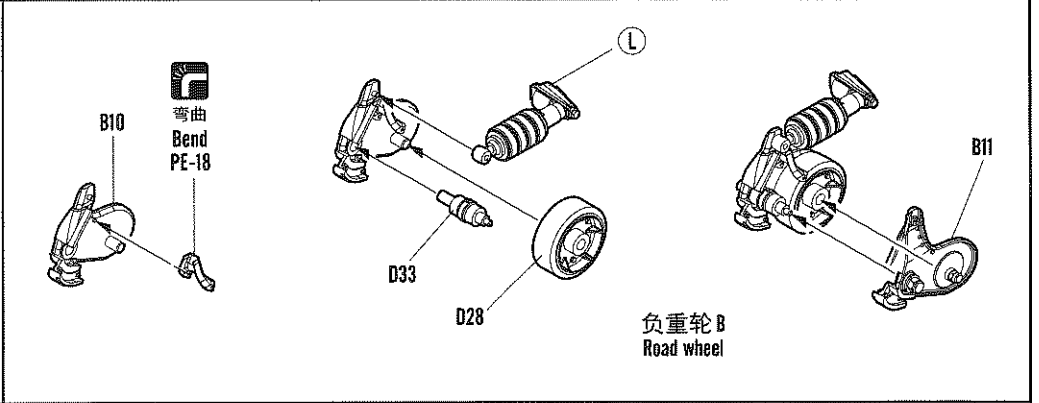
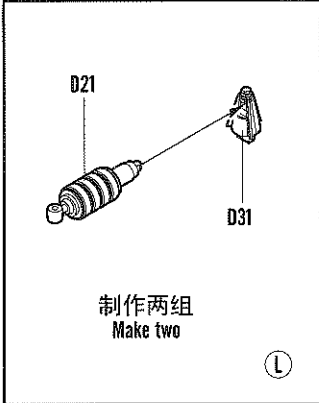
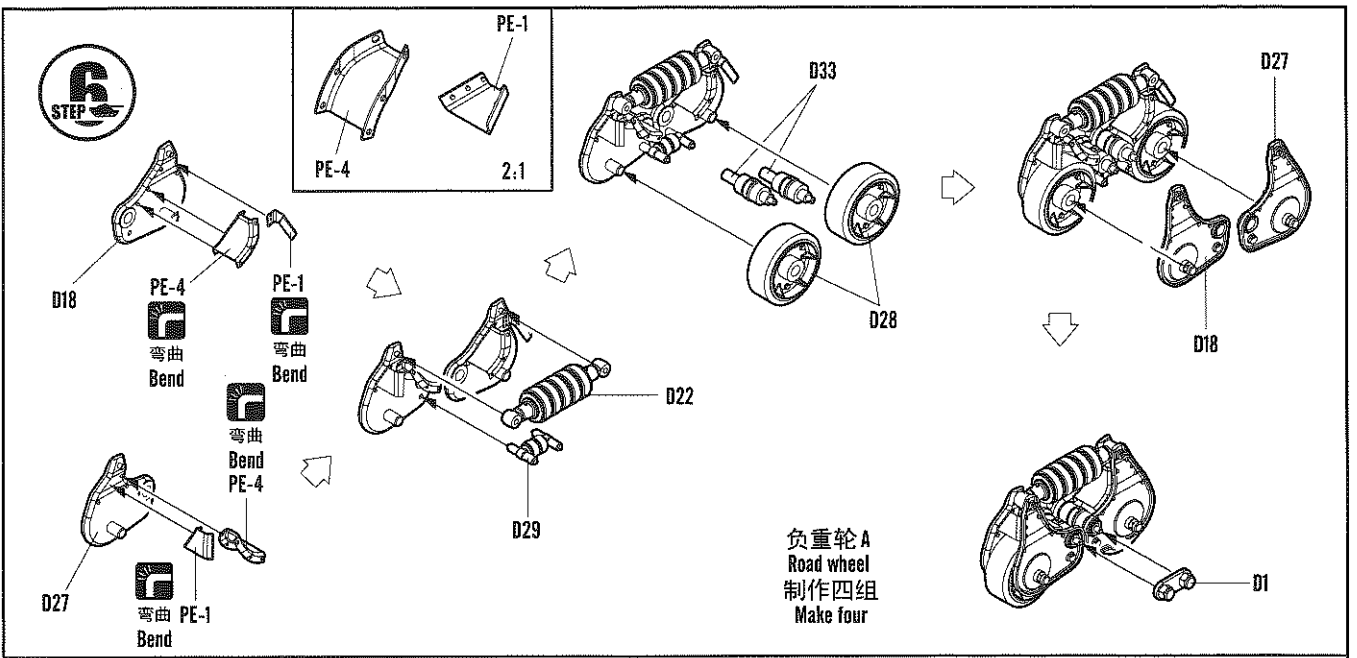
J



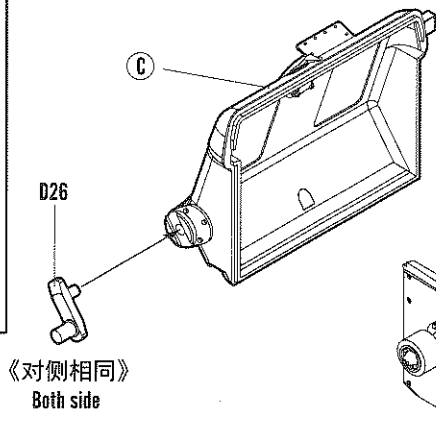
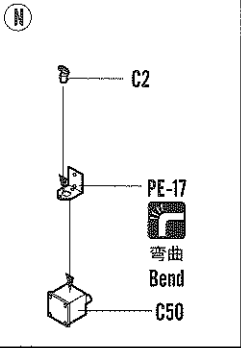
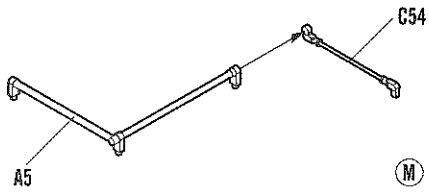
制作两组
Make two

K

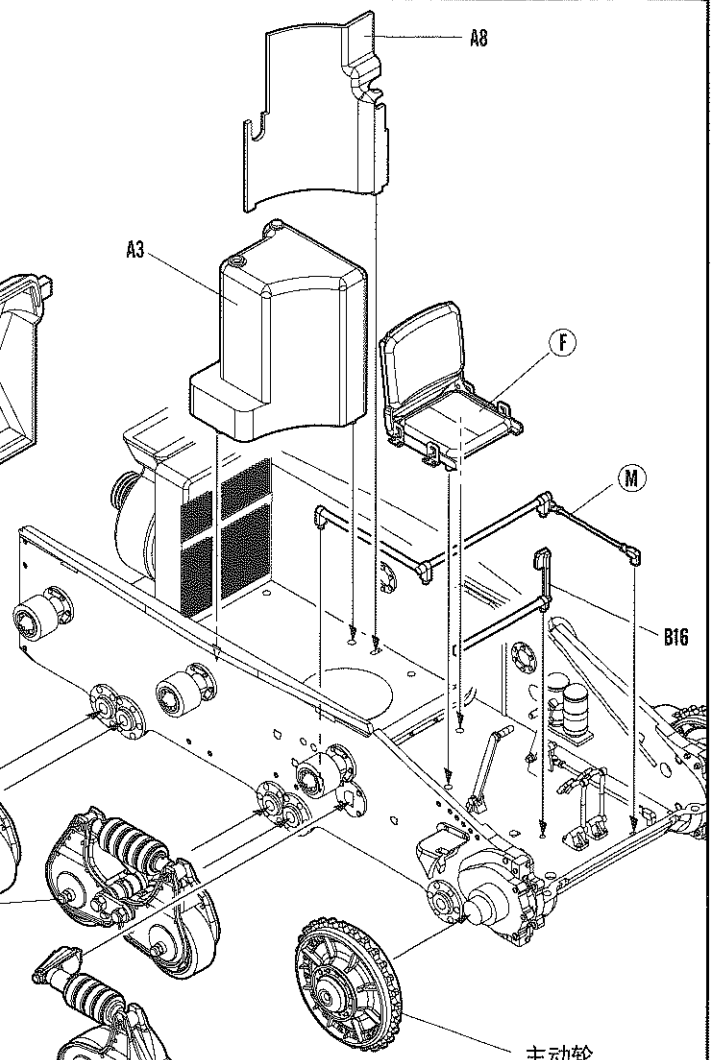




7
STEP



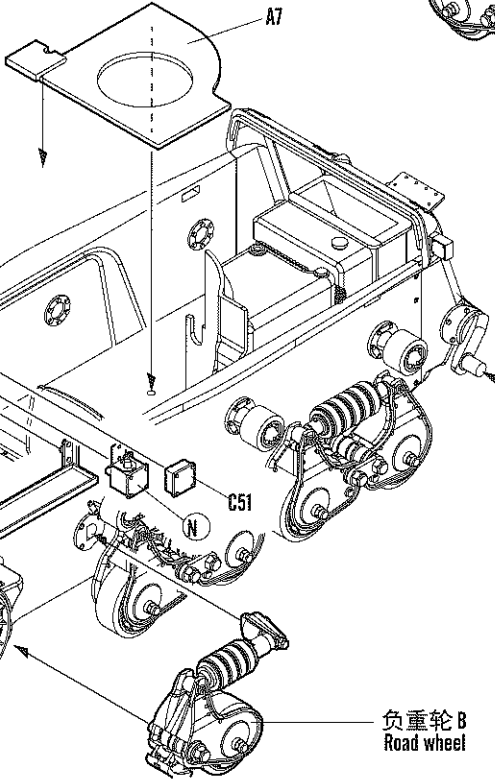
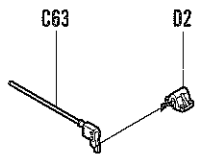
《对侧相同》
Both side



负重轮 A
Road wheel
《对侧相同》
Both side

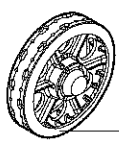
主动轮
Sprocket wheel
《对侧相同》
Both side

负重轮 C
Road wheel



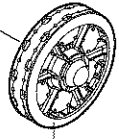
负重轮 B
Road wheel

?
选择
Option

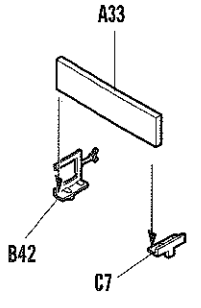


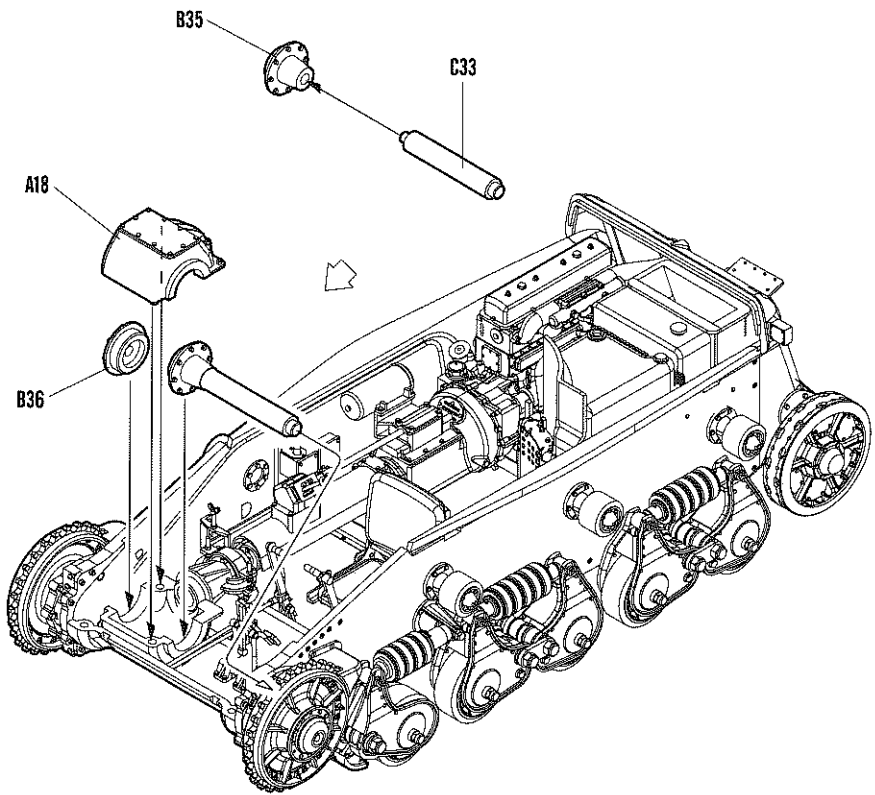
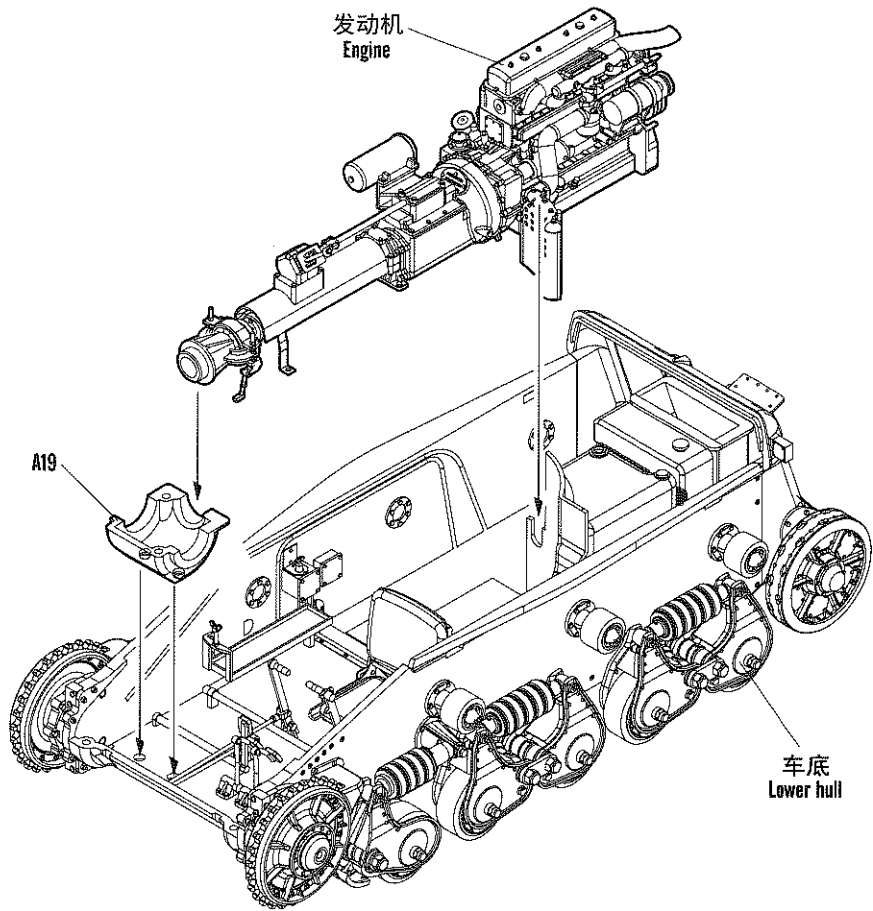
诱导轮 A
Idler wheel

《对侧相同》
Both side



诱导轮 B
Idler wheel







主动轮
Sprocket wheel

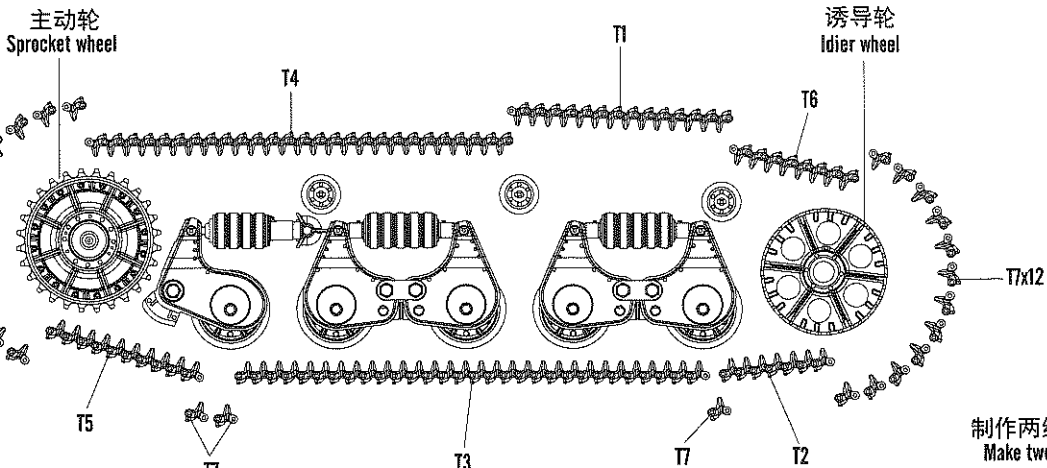
诱导轮
Idler wheel

T7x12

T7x12

履带安装
Attaching track

制作两组
Make two



弯曲
Bend
PE-27

弯曲
Bend
PE-7

弯曲
Bend
PE-28

B3

D8

B14

PE-11

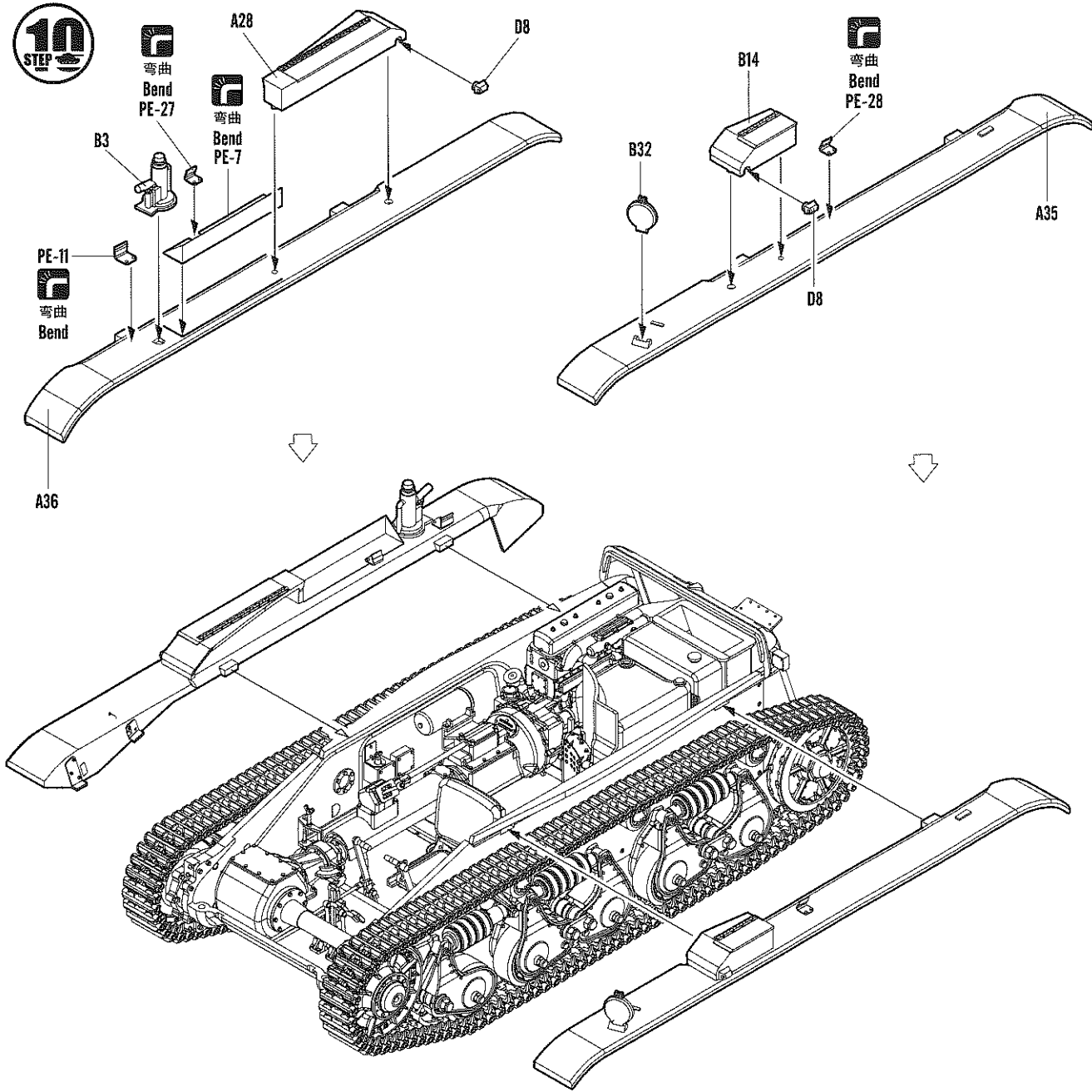
弯曲
Bend

B32

D8

A35

A36



11
STEP

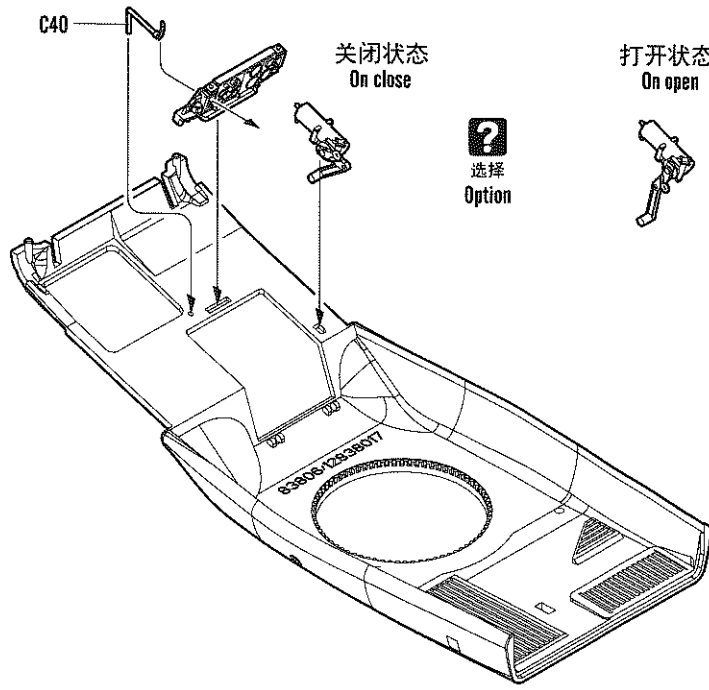
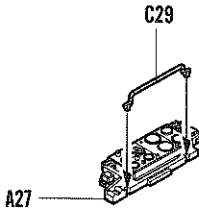
B41

B25

C30

?
选择
Option

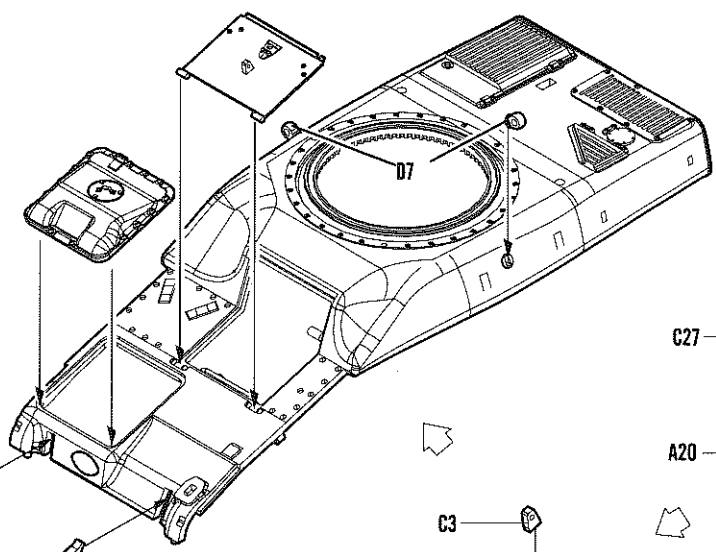
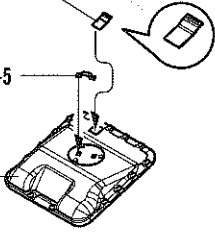
C24



弯曲
Bend
PE-6

弯曲
Bend
PE-5

A24



C27

A20

C3

C71

D25

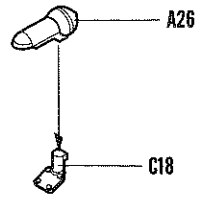
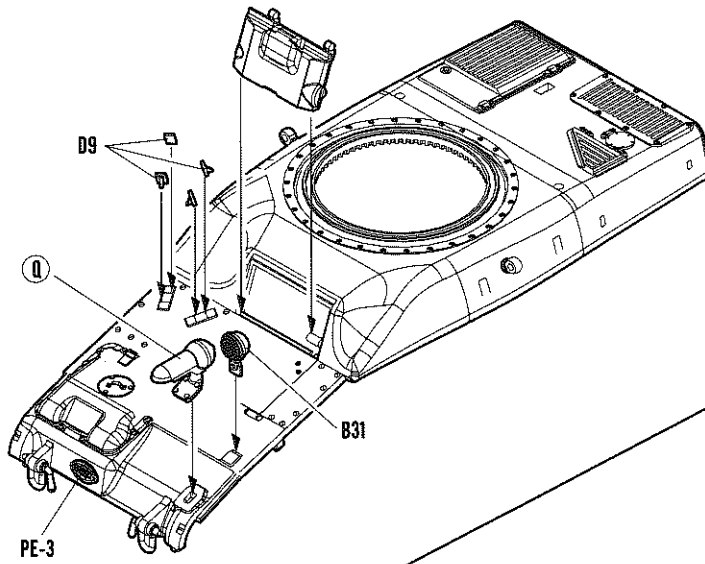
C70

12
STEP

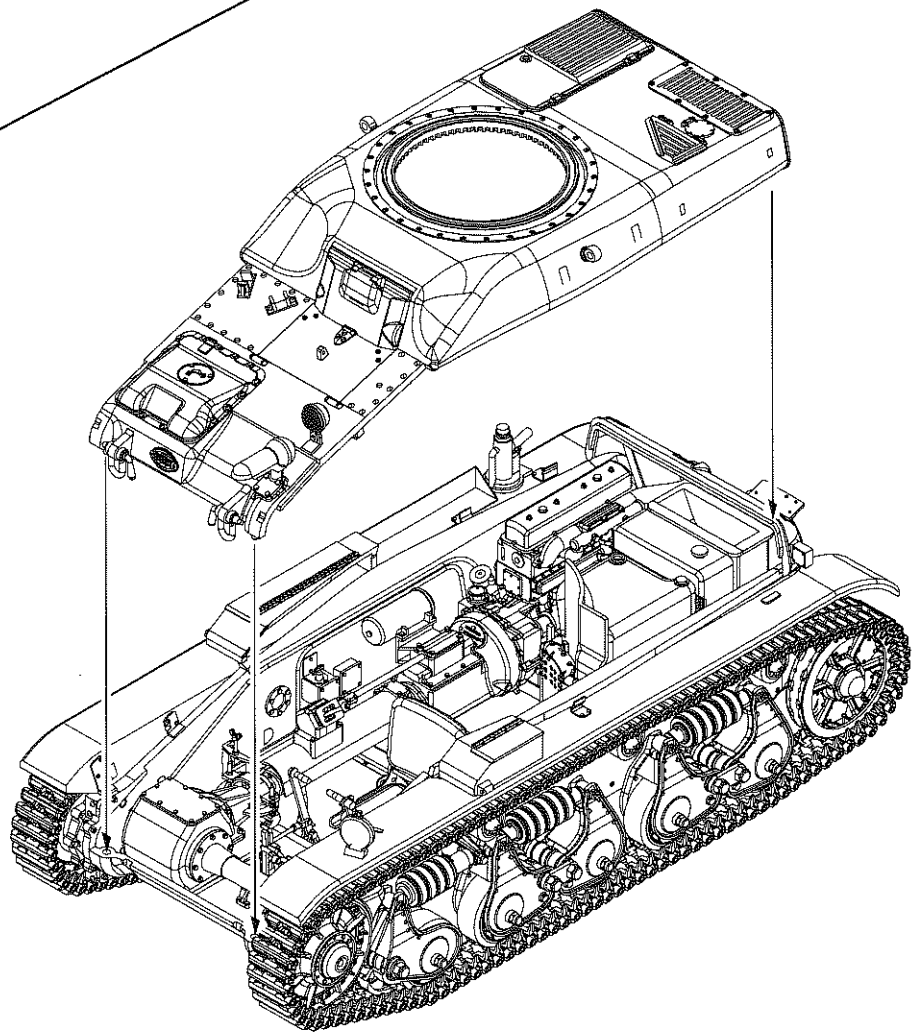
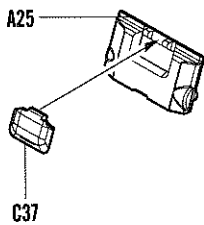
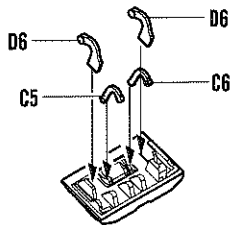
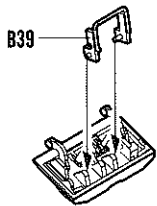
打开或关闭
Close or open



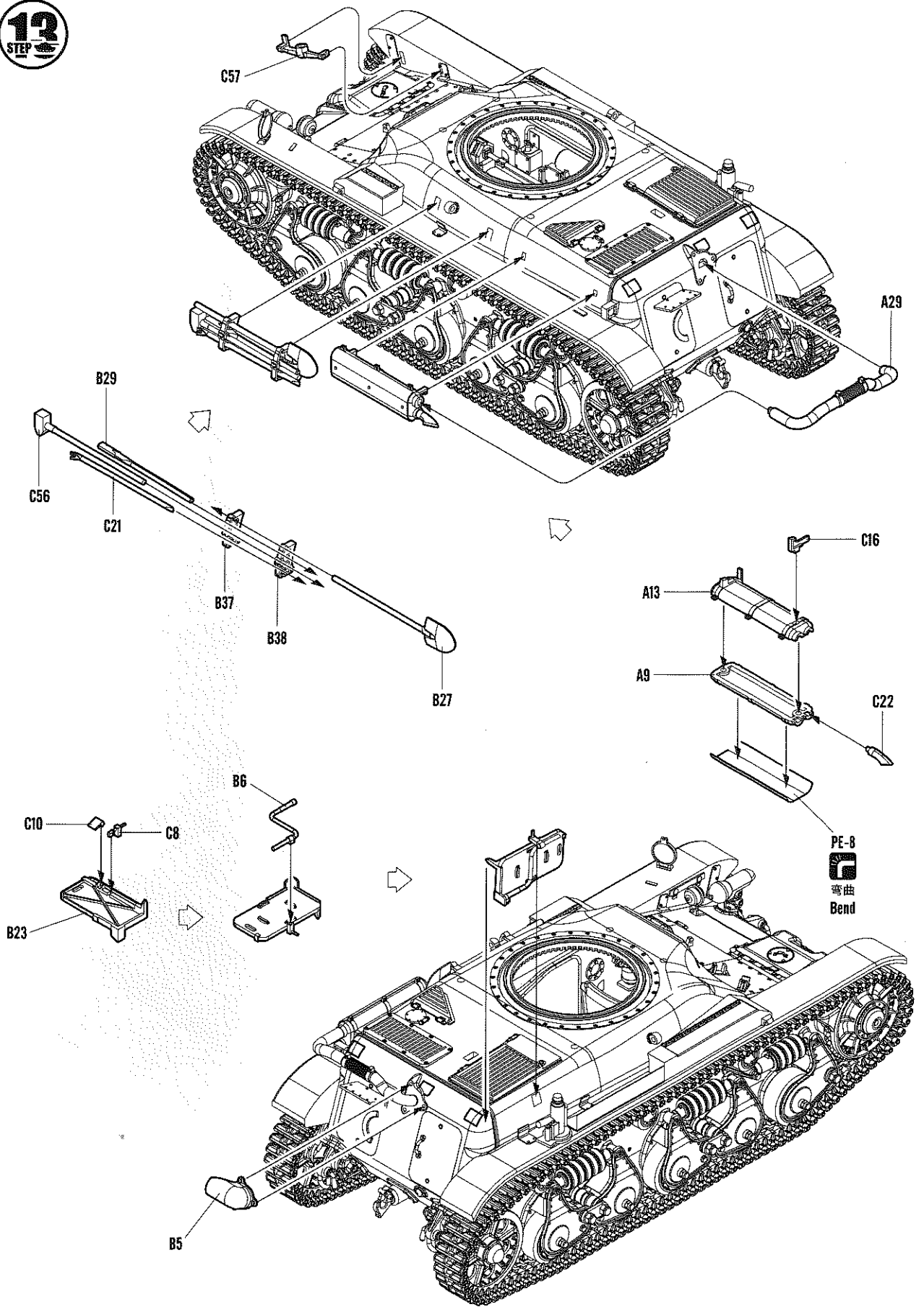
选择
Option



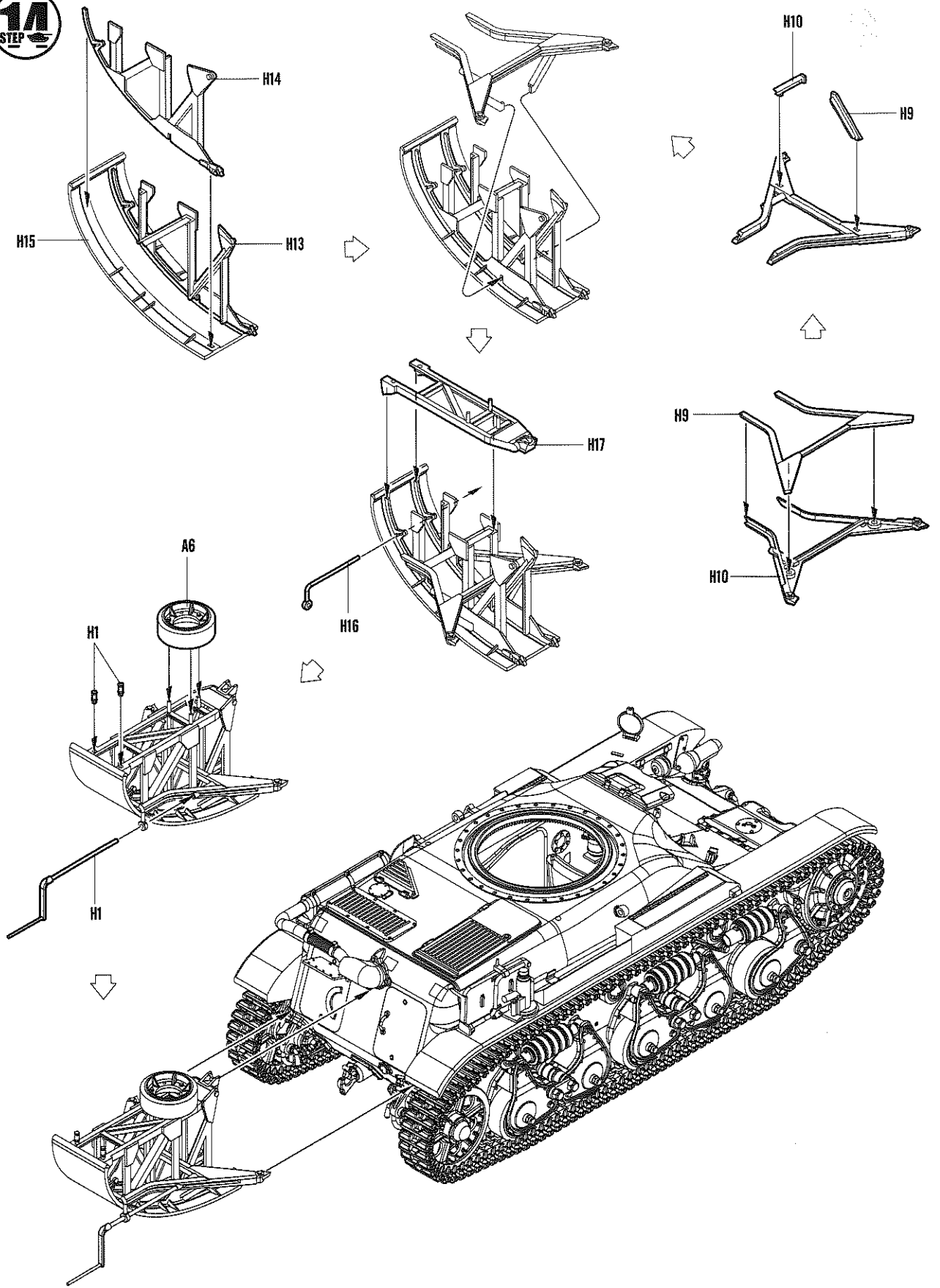
Q



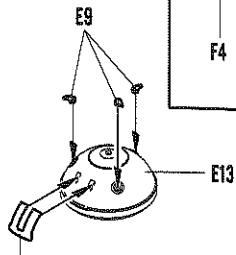
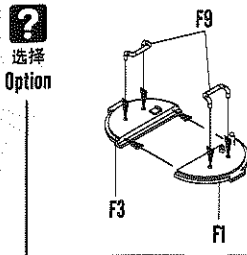
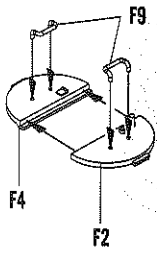
13
STEP



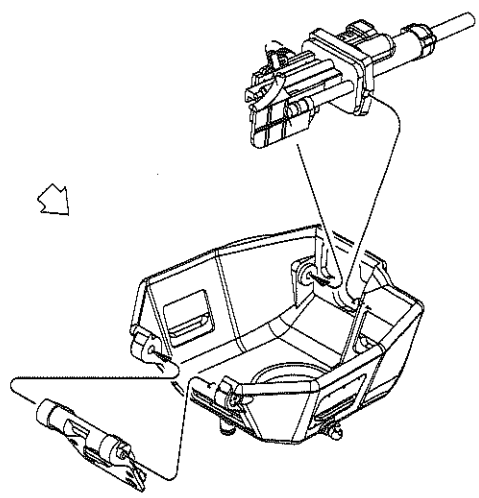
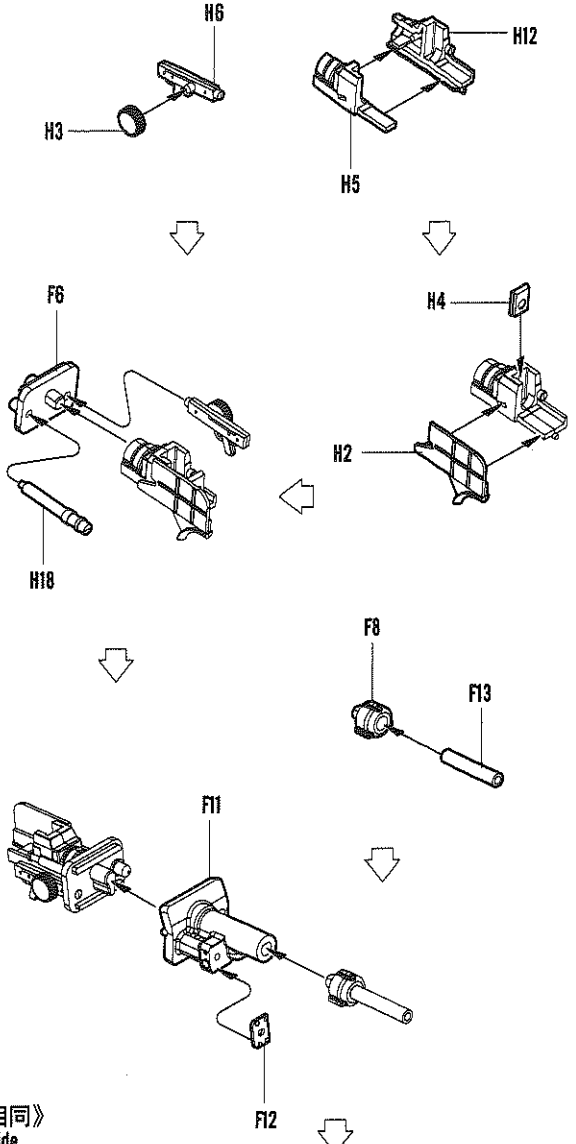
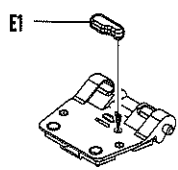
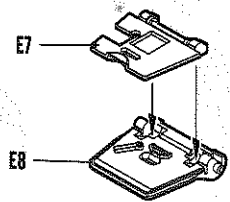
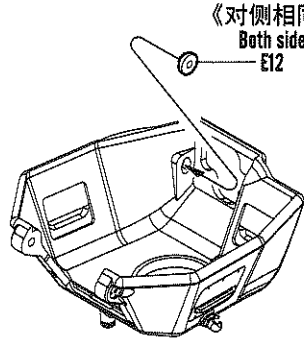
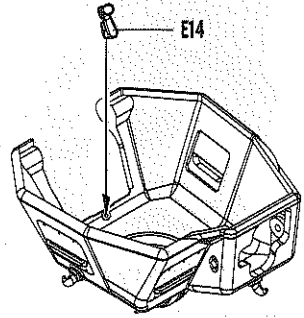
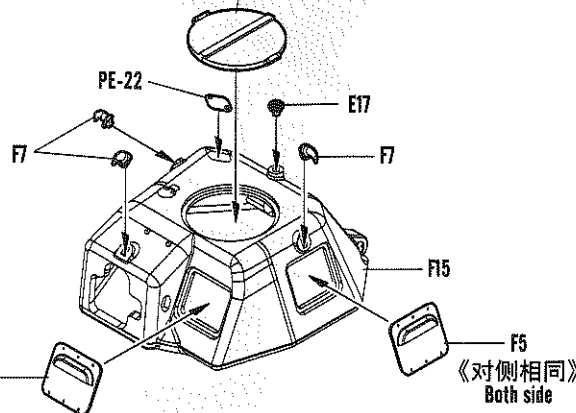
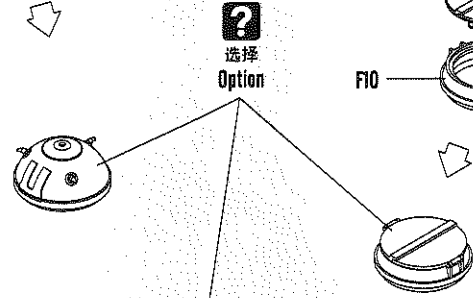
14
STEP



15
STEP

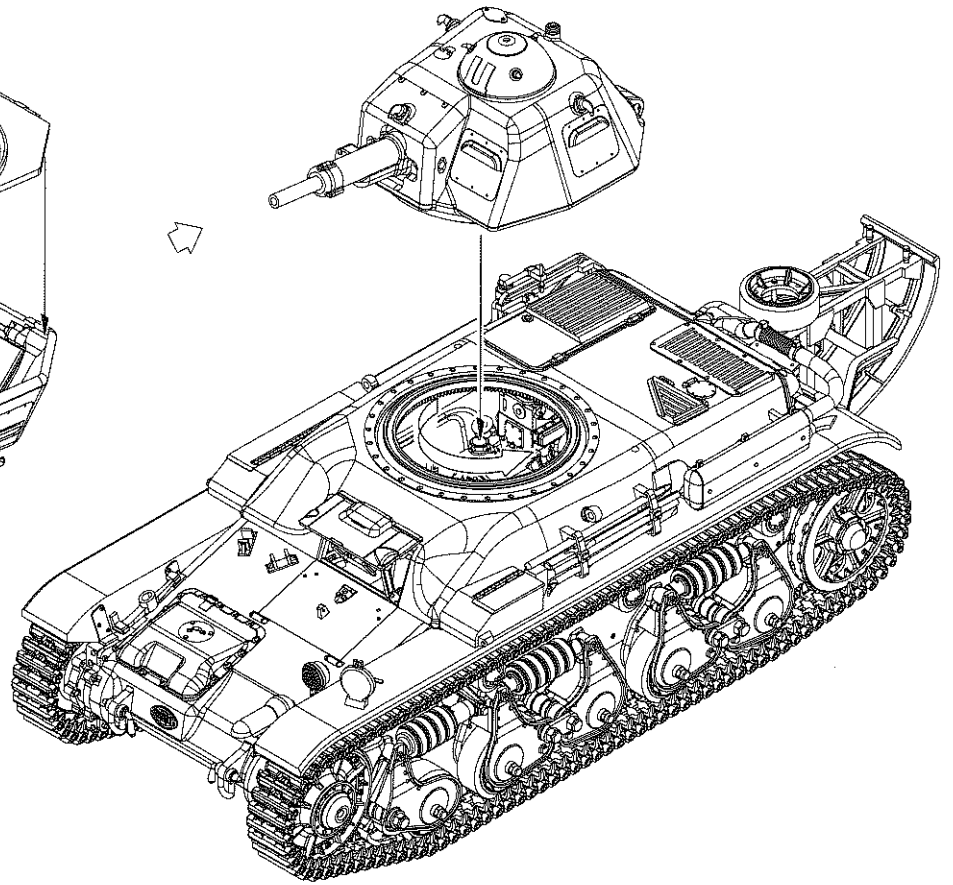
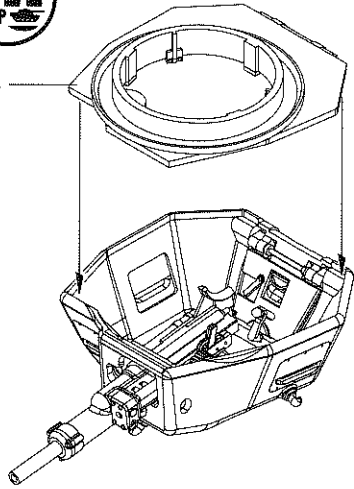


PE-30
弯曲
Band



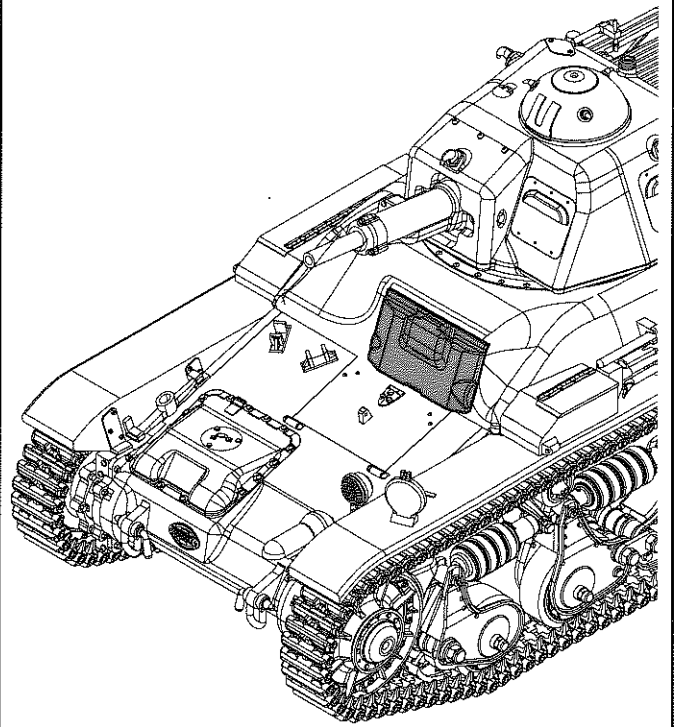
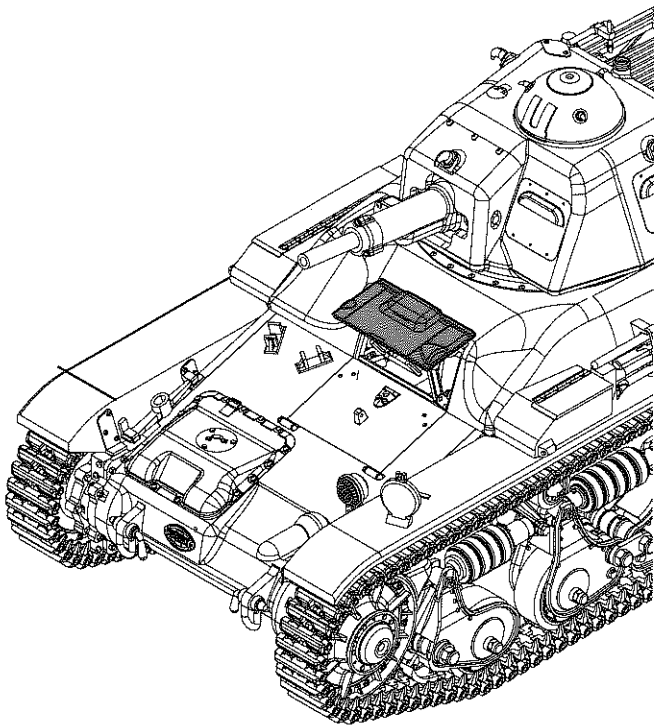
16
STEP

F14

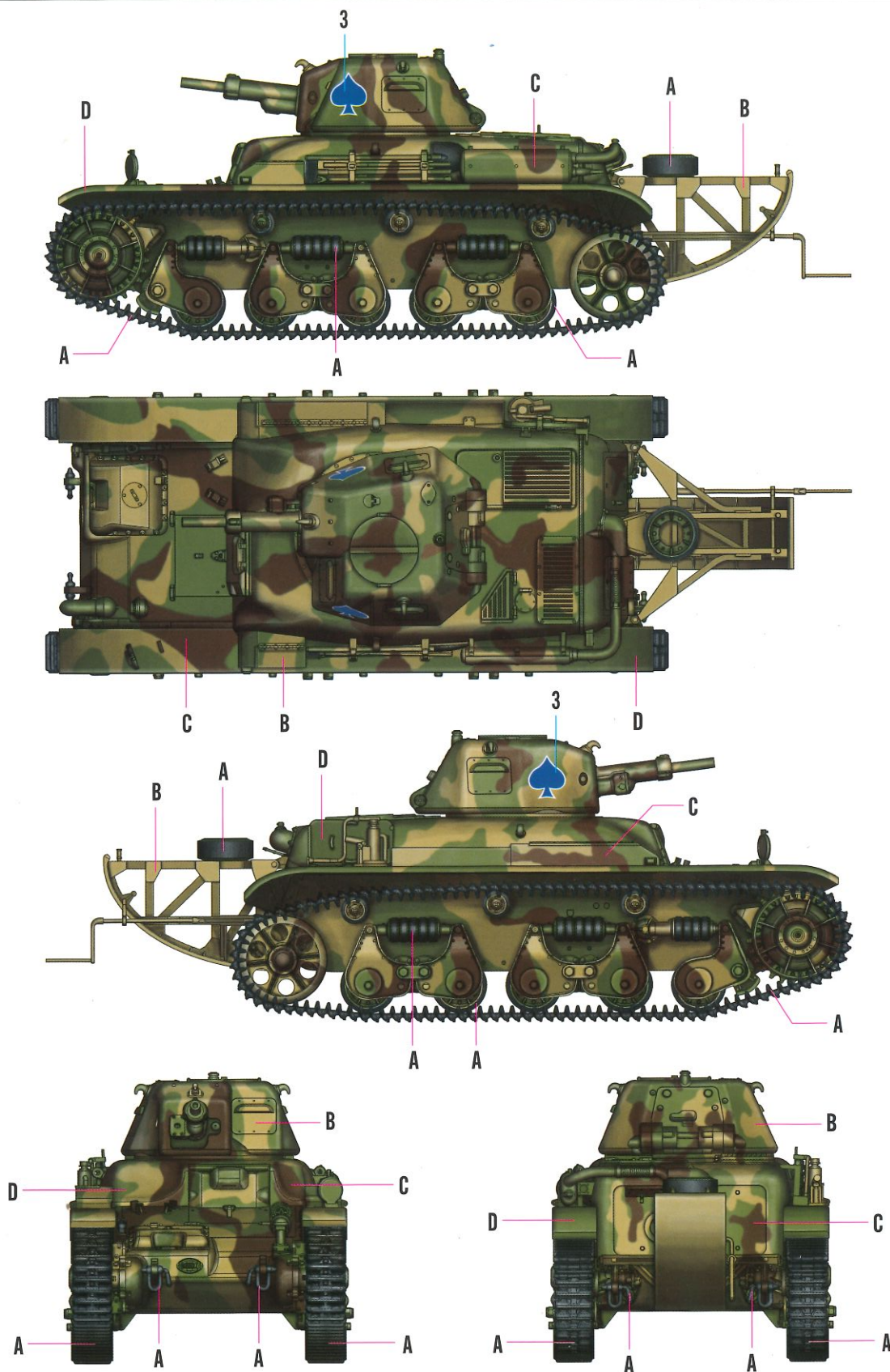


打开状态
Open

闭合状态
Close

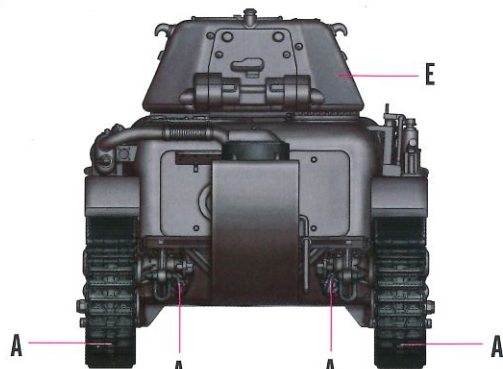
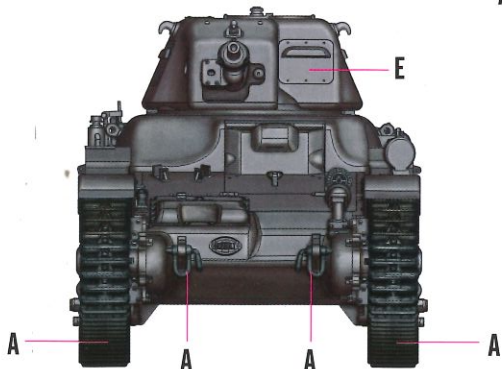
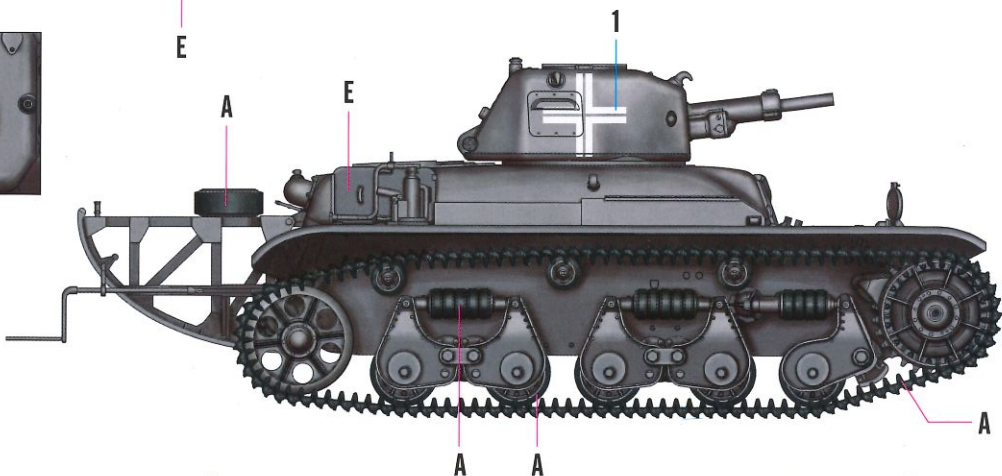
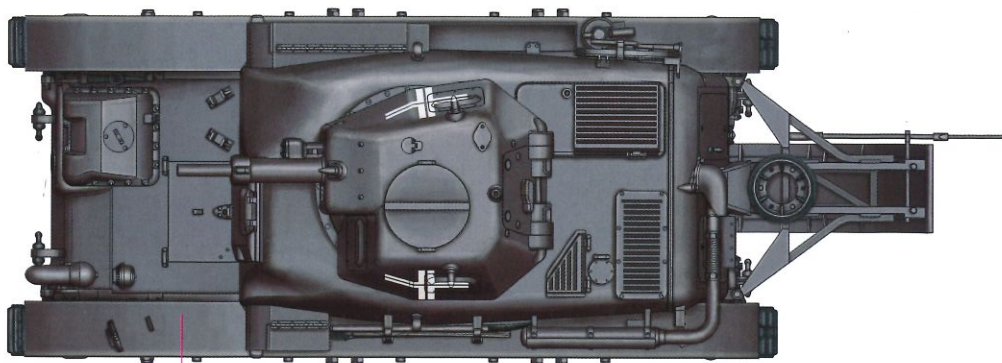
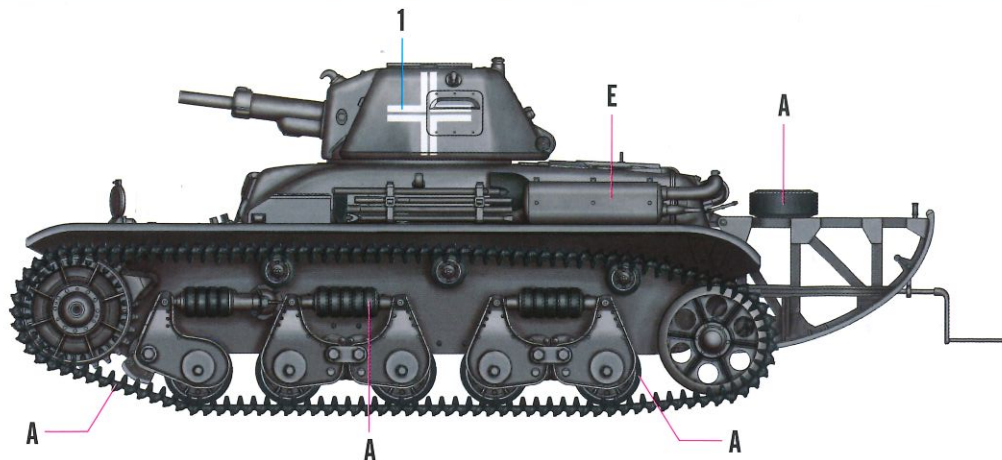


I



Color	Mr.Hobby	Acrycion	Vallejo	Model Master	Tamiya	Humbrol	Color	Mr.Hobby	Acrycion	Vallejo	Model Master	Tamiya	Humbrol
A 黑铁色 Steel	H [18] 28	N [18]	864	1402	-	-	D 战车绿 Dark Green	H [70]	N []	-	-	-	-
B 砂黄色 Sandy Yellow(Dark Yellow)	H [79] 39	N [79]	824	-	XF59	93	E 原野灰 Field Gray	H [32] 40	N [32]	830	-	XF22	111
C 红棕色 Red Brown	H [47] 41	N [47]	984	-	XF64	160							

II



Color	Mr.Hobby	Acrycion	Vallejo	Model Master	Tamiya	Humbrol	Color	Mr.Hobby	Acrycion	Vallejo	Model Master	Tamiya	Humbrol
A 黑铁色 Steel	H 18 28	N 18	864	1402	-	-	D 战车绿 Dark Green	H 70	N	-	-	-	-
B 砂黄色 Sandy Yellow(Dark Yellow)	H 79 39	N 79	824	-	XF59	93	E 原野灰 Field Gray	H 32 40	N 32	830	-	XF22	111
C 红棕色 Red Brown	H 47 41	N 47	984	-	XF64	160							