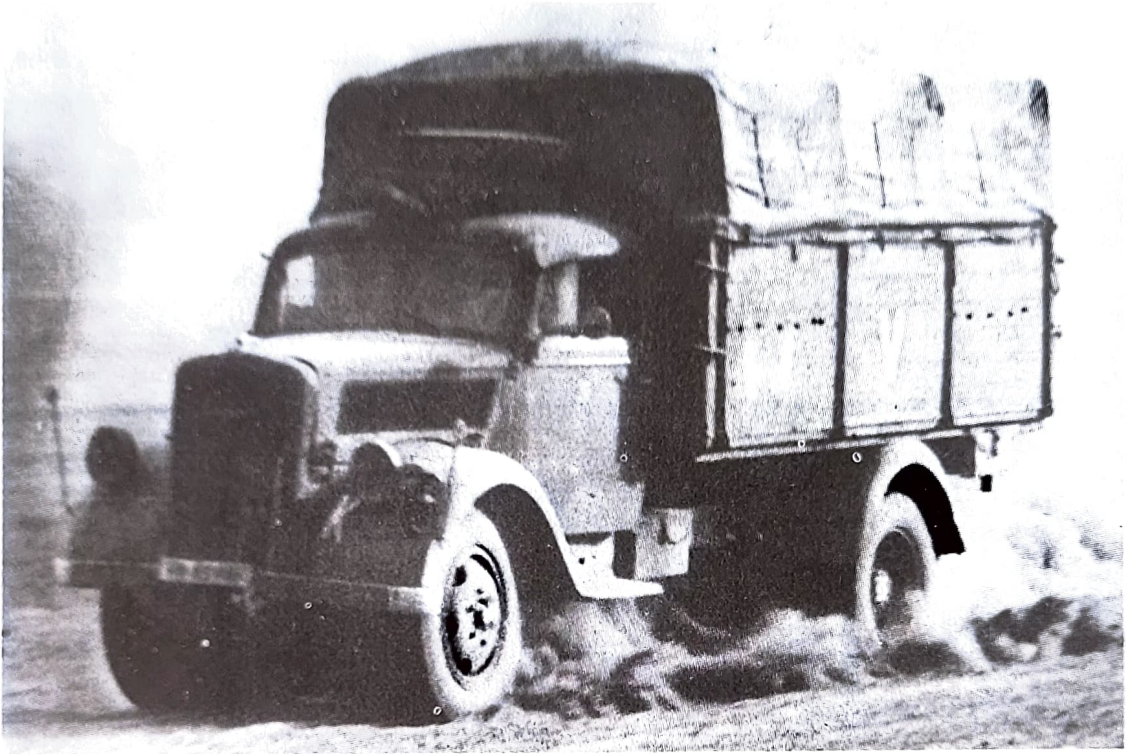


OPEL BLITZ TRUCK



GENERAL SPECIFICATION

LENGHT: MT. 6.10
WIDTH: MT. 2.27
HEIGHT: MT. 2.25
WHEEL BASE: MT. 3.60
WEIGHT: 3 TONS

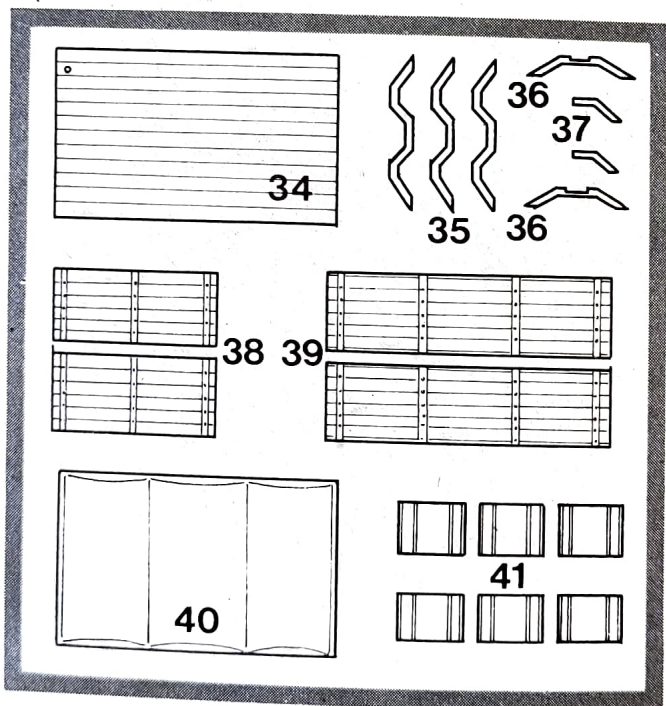
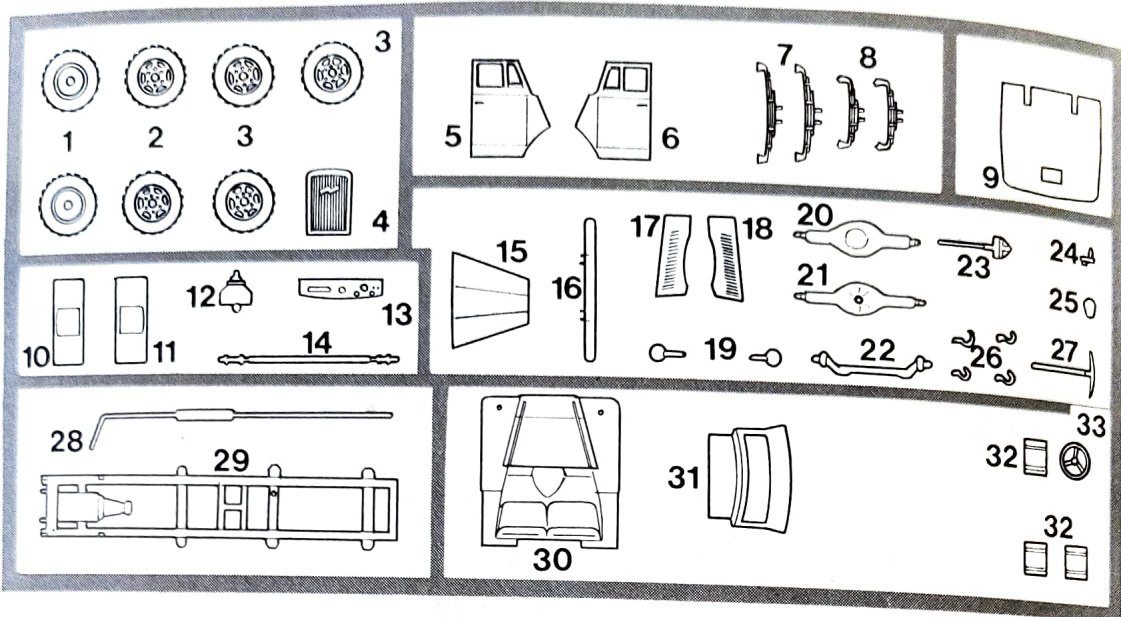
ENGINE
OPEL 3.6 L

1/72 SCALE

KIT 8611

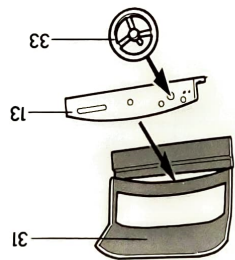
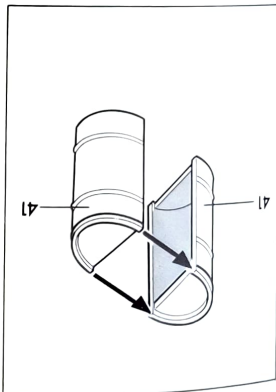
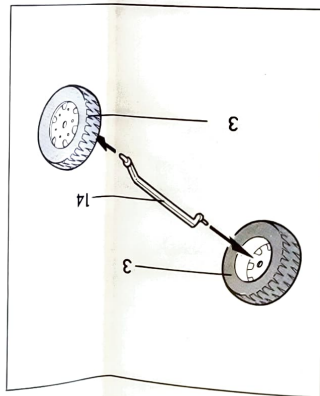
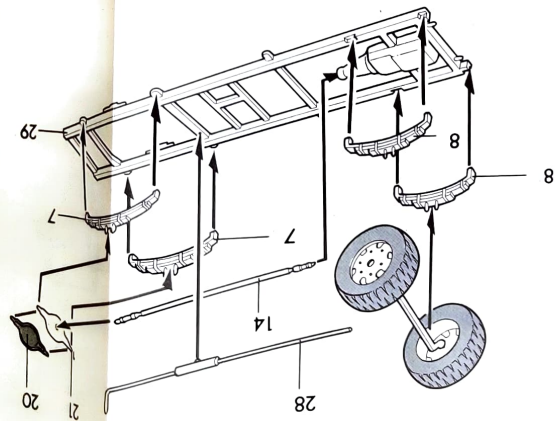
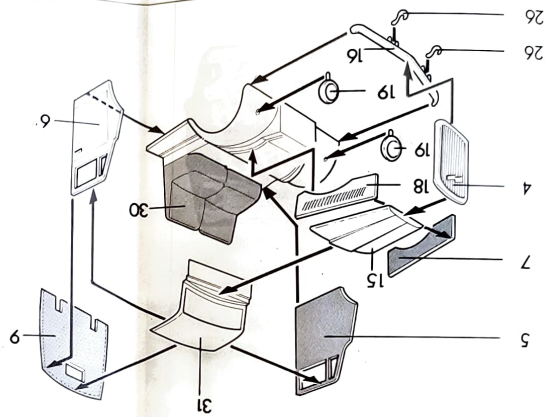
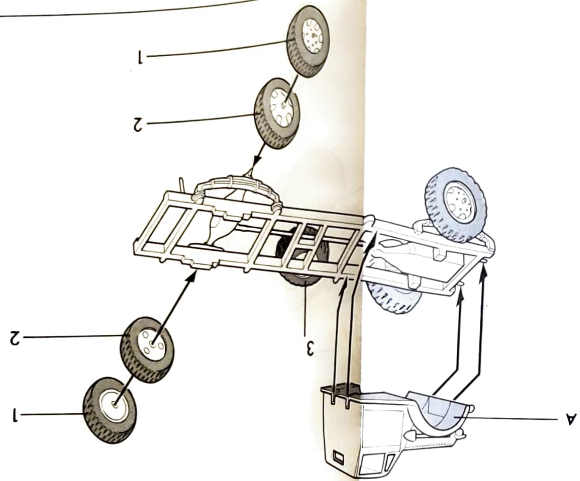


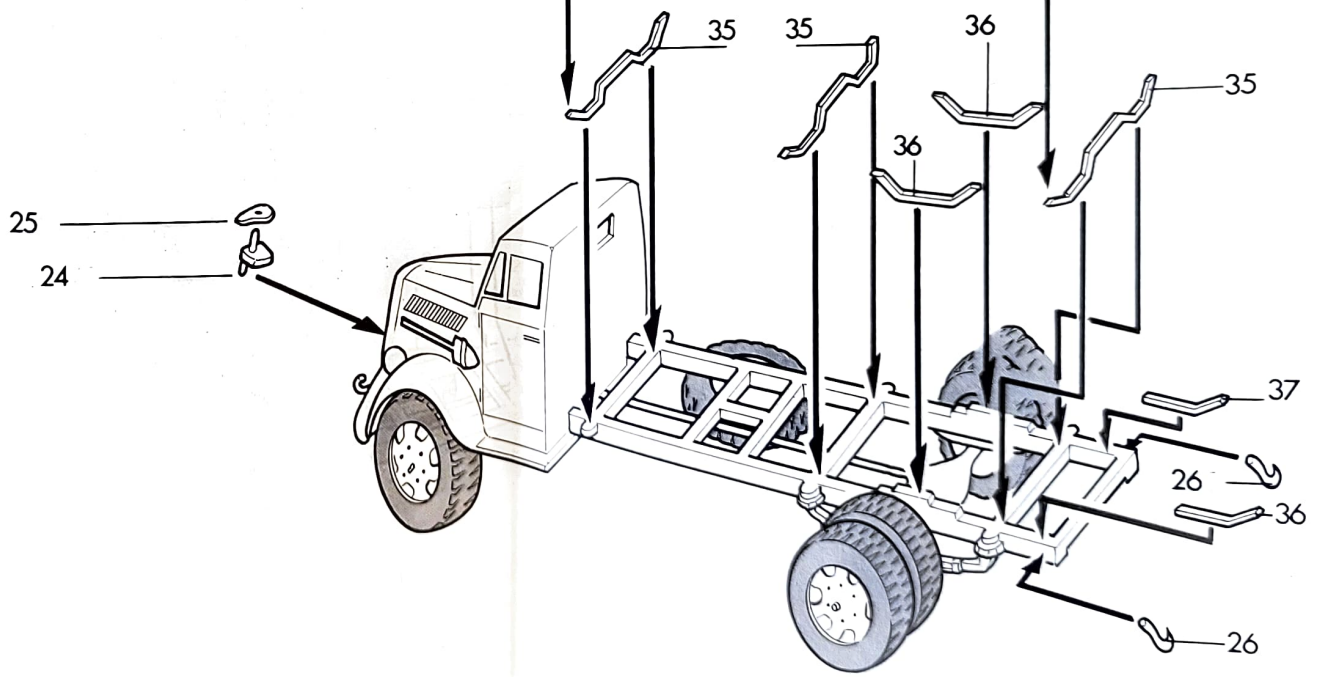
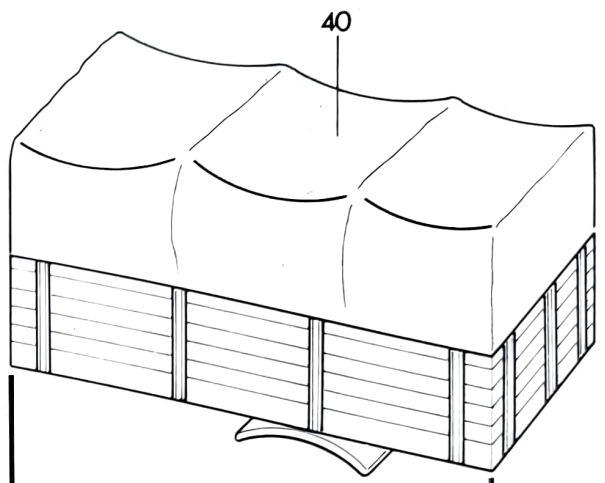
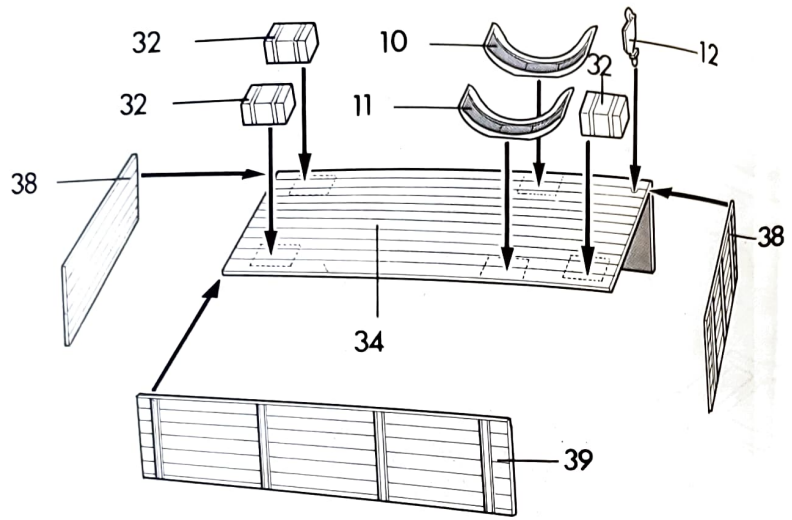
PERFORMANCE
MAXIMUM SPEED: 85 KM/H
RANGE: 320 KMS



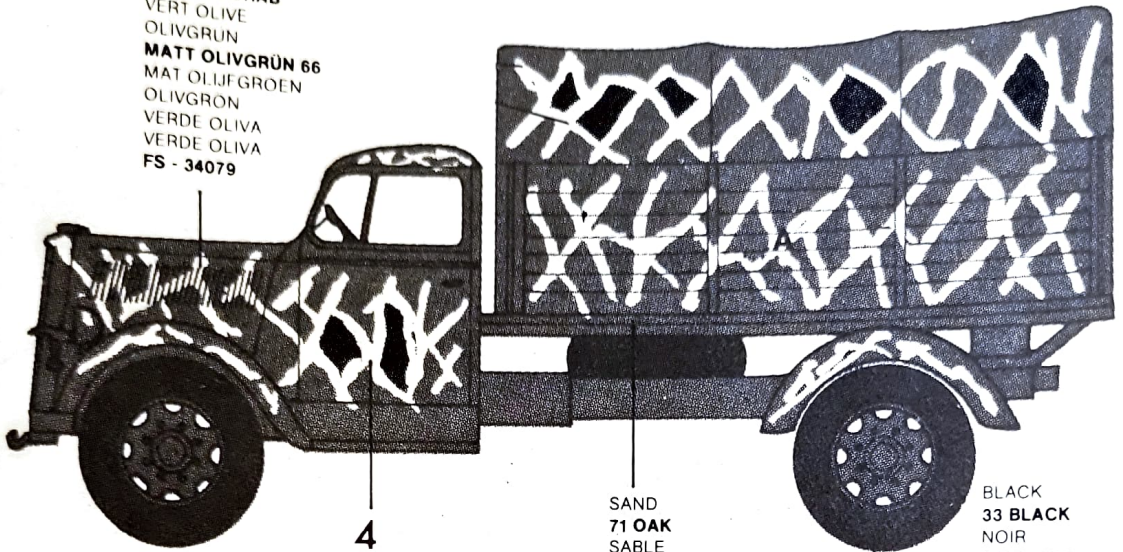
WARNING

Before starting to assemble the model, carefully examine the various assembly phases indicated in the drawings. Carefully remove the parts from the sprues using a razor blade or emery paper. Eliminate any burrs, check the fit of each piece before cementing in place. Before assembly, paint any internal parts of the model or parts which are difficult to get at once assembly has been made. Always follow the assembly order indicated on the tables and, in the case of alternative parts which make it possible to obtain different versions, always choose the version you prefer before assembly. **STEPS TO FOLLOW IN ATTACHING THE DECALS PROPERLY:** Cut out the subject you have chosen, being very careful to clip along its outlines so as not to leave any ragged edges. Soak it for a few seconds in warm water. Carefully separate it from its backing. Place the decal on the model. Remove all drops of water with a dry cloth. Any air bubbles which may have formed can be removed by gently squeezing them out to the edges of the decal.



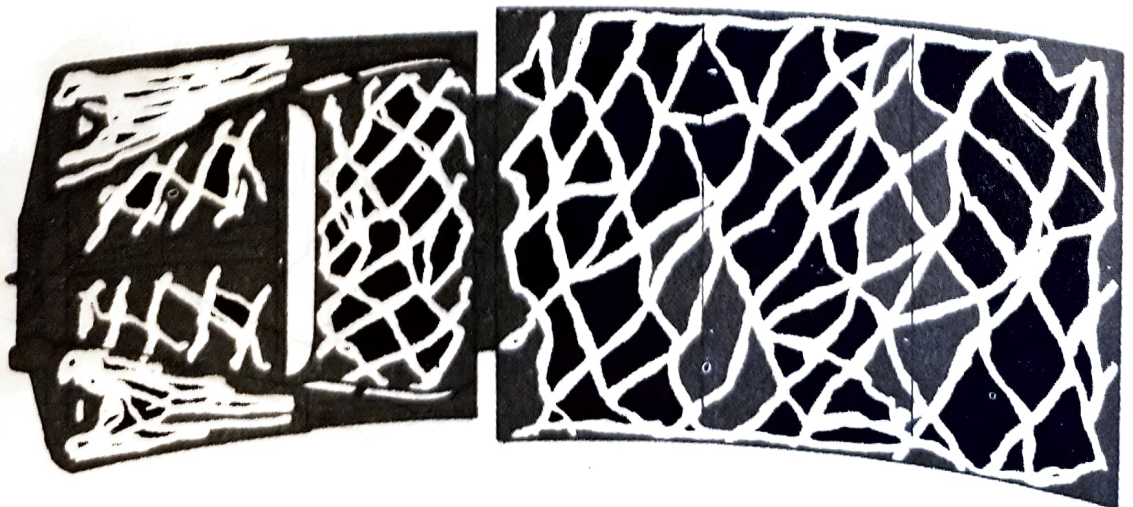
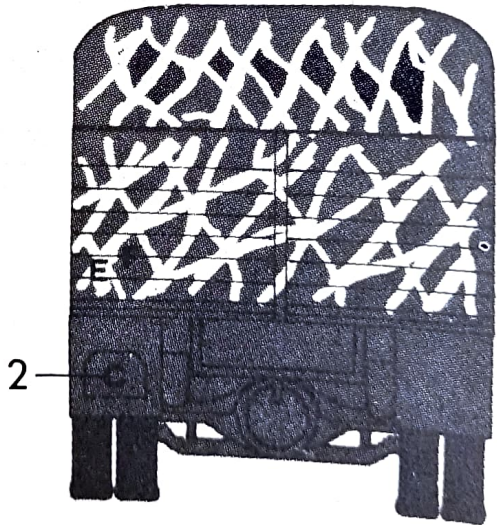
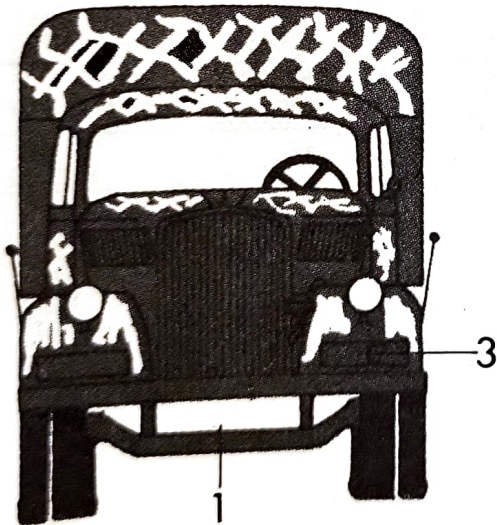


OLIVE GREEN
66 OLIVE DRAB
 VERT OLIVE
 OLIVGRÜN
MATT OLIVGRÜN 66
 MAT OLIVGRÖEN
 OLIVGRÖN
 VERDE OLIVA
 VERDE OLIVA
 FS - 34079



SAND
71 OAK
 SABLE
 SAND
MATT SAND 16
 MAT ZAND
 SANDFÄRG
 ARENA
 SABBIA
 FS - 33717

BLACK
33 BLACK
 NOIR
 SCHWARZ
MATT SCHWARZ 8
 MAT ZWART
 SVART
 NEGRO
 NERO
 FS - 37038



GERMAN AFRIKA CORPS



art. P-206

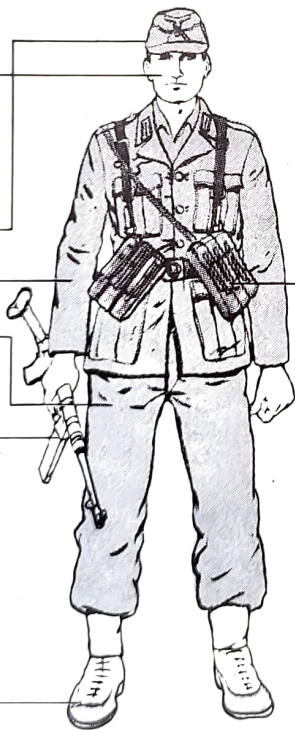
MADE IN ITALY

FLESH
61 FLESH
CHAIR
FLEISCHFARBEN
HUIDKLEUR
HJDFARGAD
COLOR OF DE CARNE
COLOR CARNE

GREEN
HD 5 GREEN
VERT
GRÜN
VAALGRÖEN
GRÜN
VERDE
VERDE

BURNISHED METAL
53 GUN METAL
METAL BRUNI
BRUNIERTER METALL
IJZERKLEUR
OXIDERAD METALL
METAL BRUNIDO
METALLO BRUNITO

BROWN
MC 22 CHESTNUT B
MARRON
BRAUN
BRUIN
BRUN
MARRON
MARRONE

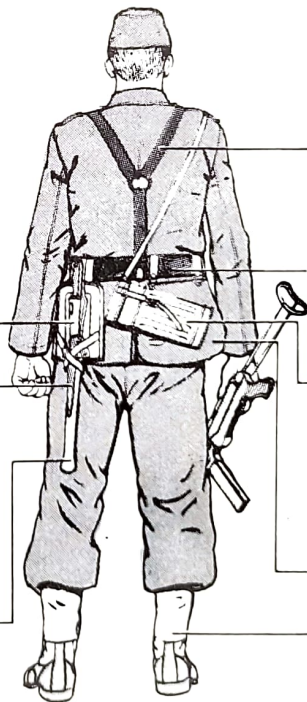


GREEN
MC 28 GREEN LEATHER
VERT
GRÜN
VAALGRÖEN
GRÜN
VERDE
VERDE

BROWN
MC 29 RED LEATHER
MARRON
BRAUN
BRUIN
BRUN
MARRON
MARRONE

BURNISHED METAL
53 GUN METAL
METAL BRUNI
BRUNIERTER METALL
IJZERKLEUR
OXIDERAD METALL
METAL BRUNIDO
METALLO BRUNITO

LIGHT BROWN
MC 24 NATURAL WOOD
MARRON CLAIR
HELL BRAUN
VAALSBRUIN
LJUSBRUN
MARRON CLARO
MARRONE CHIARO



DARK GREY
31 SLATE GREY
GRIS FONCE
DUNKELGRAU
DONKERGRUIS
MÖRKGRA
GRIS OSCURO
GRIGIO SCURO

BLACK
MC 14 BLACK
NOIR
SCHWARZ
ZWART
SVART
NEGRO
NERO

DARK GREY
HM 6 FIELD GREY
GRIS FONCE
FELDGRAU
DONKERGRUIS
MÖRKGRA
GRIS OSCURO
GRIGIO SCURO

SAND
HM 1 DESERT YELLOW
SABLE
SAND
SAND
MATT 2'AND
SANDFARG
ARENA
SABBIA