

摄影:袁澜

Su-27 Flanker B - Russian Knights

Su-27 フランカーB ロシアンナイツ 苏-27“侧卫”B战斗机-俄罗斯勇士表演队

PLEASE READ BEFORE OPERATION!

- * Tools recommended as below: (Not included)
Adhesives; Paints; Side Cutters; Sharp Edged Pliers; Modeling Knife; Modeling File, Nippers; Drill, Scissors, Sand Paper; Soft Cloth; Cyanoacrylate Glue.
- * Make sure to read this instruction listed below before assembling
- * The kit contains the small parts, they can be dangerous if swallowed by mistake, so keep them away from reach of children.
- * Cut the all parts off carefully and remove the waste parts into the garbage can
- * More caution and care should be needed for cutting and handling the photo etched parts.
- * Make attention that some parts should be attached the decal when assembled.
- * During assembling, please tear up and throw away the plastic bags, or may cause the dangerous if wearing over head by children's mistake.
- * When using the adhesives and paints, please do not use them in the closed room or near the fire, also must be very careful to protect your eyes, face and clothes.
- * Adult supervised when assembled by children under 14 years old.

装配前请仔细阅读:

- * 推荐使用的模型工具(请自备):
专用模型胶水, 专用模型油漆, 水口剪刀, 长咀钳, 刀片, 锉刀, 镊子钳, 钻, 剪刀, 软布, 砂纸, 瞬间快干胶等。
- * 用水口剪刀或刀片小心切下所有塑胶零件和蚀刻片零件, 不要遗失小零件。
- * 切取蚀刻片时应特别注意防止利边划伤手指。
- * 用模型锉刀小心锉平所有零件表面的注射浇口。
- * 用适量的强力快干胶水粘合蚀刻片零件和金属轴, 切忌过量, 否则可能导致可动零件被粘住。
- * 注意某些零件表面需在装配时同步贴水上贴纸。
- * 制作时应远离幼儿并将包装袋及时收妥, 谨防小孩玩耍而引起意外。



强力胶

Cyanoacrylate glue



配重

Weight



钻孔

Make hole



切除

Cut/Remove



选择

Option



不涂胶水

No cement



贴纸

Decal



弯曲

Bend



填补

Repair



先装

Install it first

The method to apply the decals

1. Cut off the decal from the decal paper and put it into the warm water 40°C for 10 seconds.
2. Take the decal from the water and put it on a piece of clean cloth.
3. Remove the decal slowly from the paper to the targeted location by a wet finger.
4. Use a piece of dry and soft cloth to press it gently on the decal until it getting dry and no bubble existing.

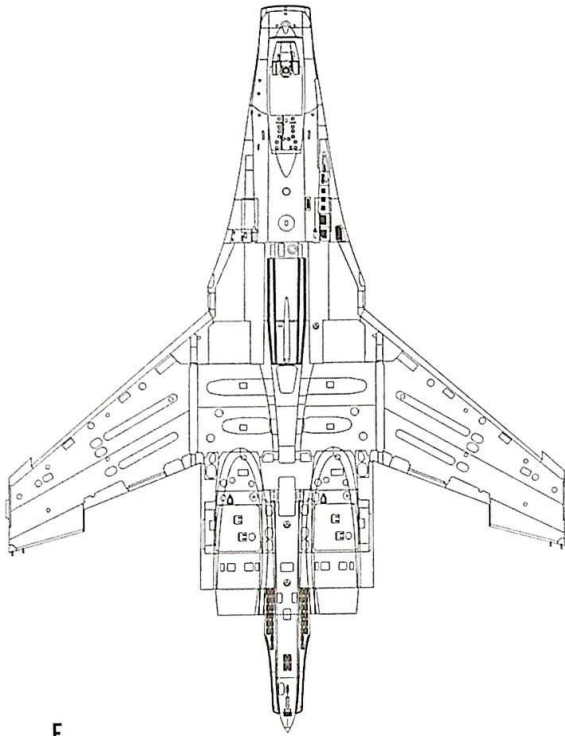
水贴纸的使用方法:

- 一. 把相关的印花从水贴上剪下, 放入40°C左右的温水中浸10秒。
- 二. 然后将印花放在干净的布上。
- 三. 戴上印花纸, 手指蘸水将印花移到适当的位置。
- 四. 用软干布轻压印花直至水干, 气泡消失。

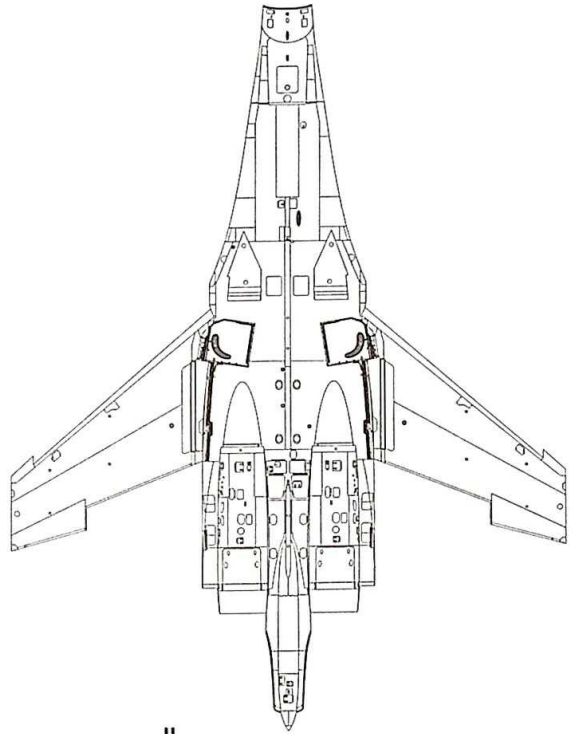
* 说明书中含有重要信息, 应保留。 Please Keep instruction since it contains important information.

部品图
Parts

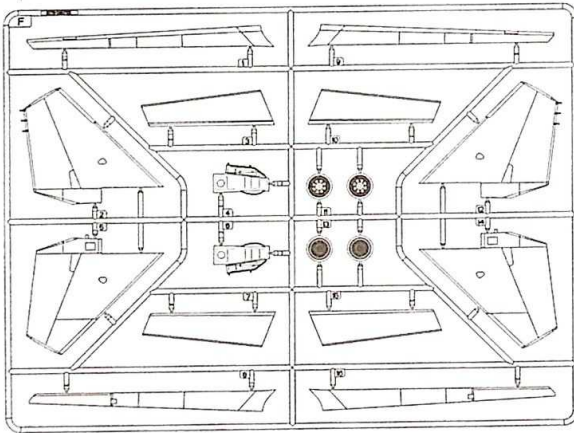
《上部机身》
Top fuselage



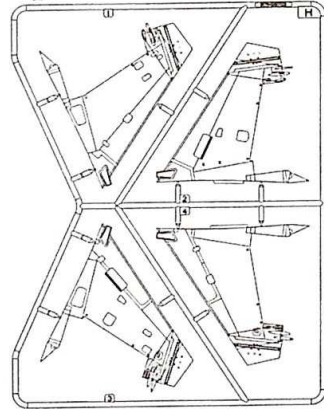
《下部机身》
Lower fuselage



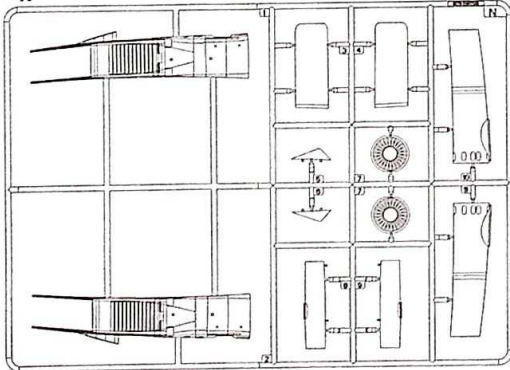
F



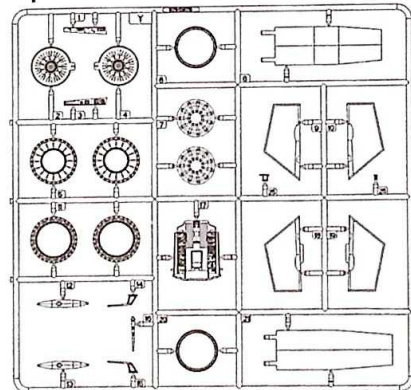
H



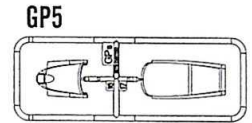
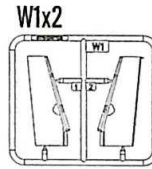
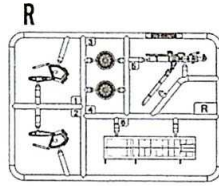
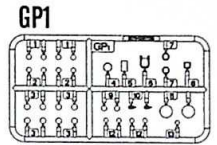
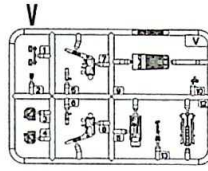
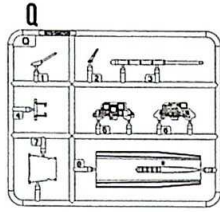
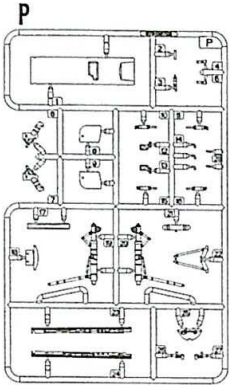
N



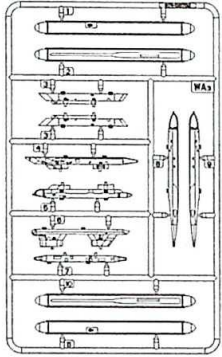
Y



部品图
Parts



WA3



Y22



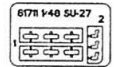
《前轮胎》
Nose tyre



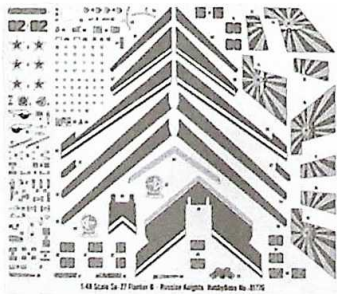
《主轮胎》x2
Main tyre



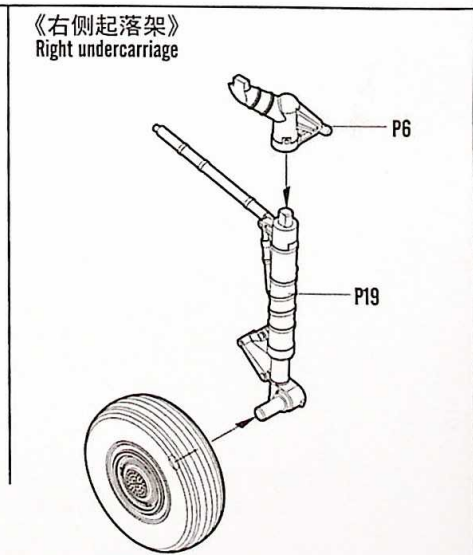
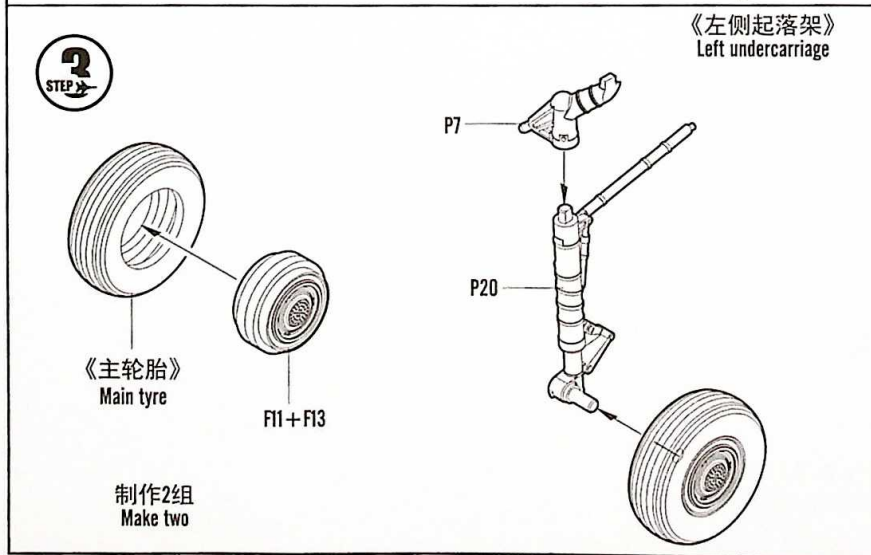
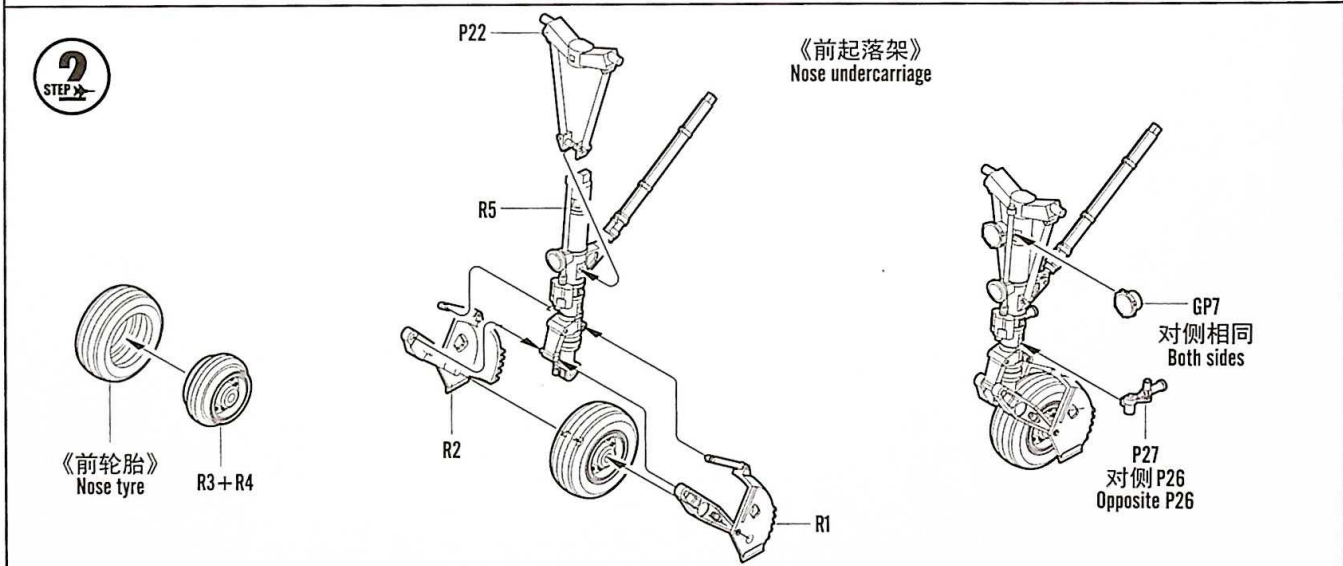
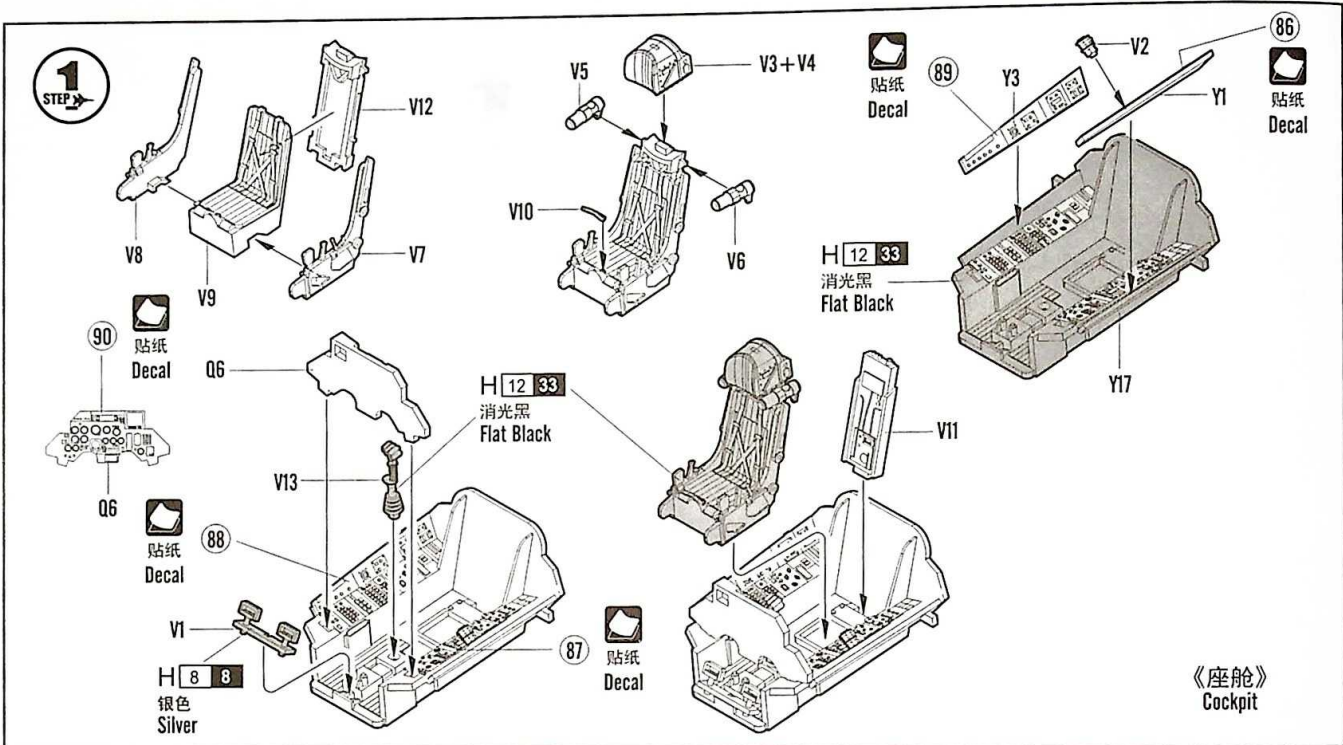
《蚀刻片》
Photo etched part(PE)

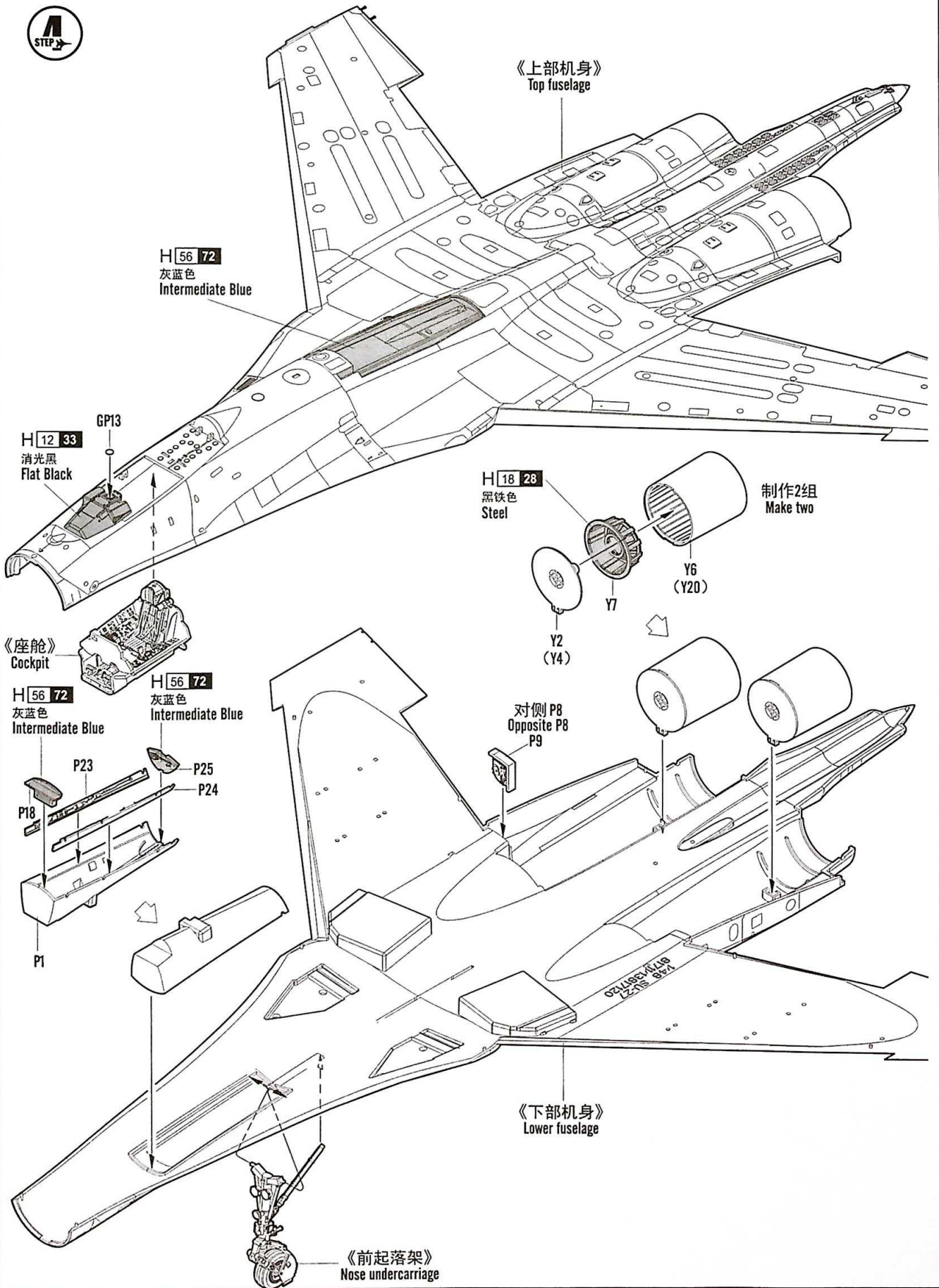


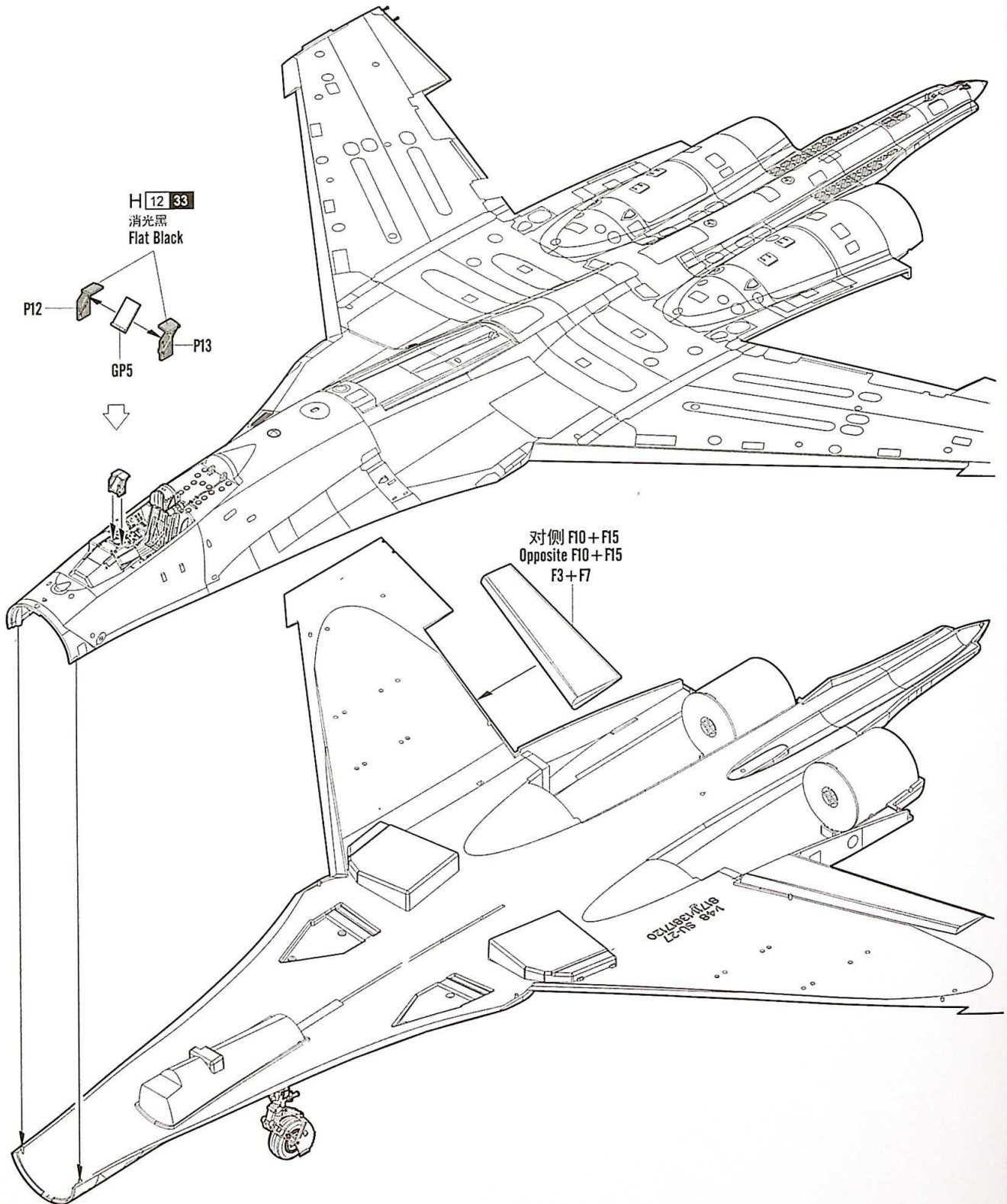
《水贴》
Decal



不用的部件: Y21 Q5 P28 GP1 GP2 GP3 GP6 GP8 GP9 GP11
Unused parts: WF2 WF4 WF6 WF8 WF9 WF10 WF16 WA6

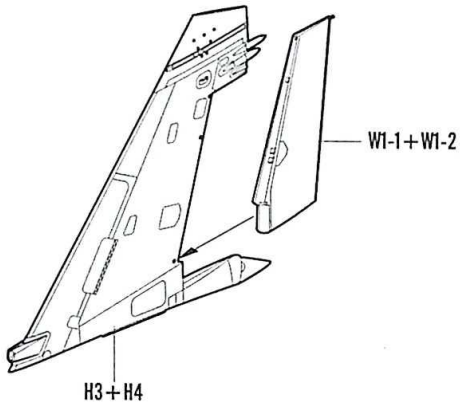






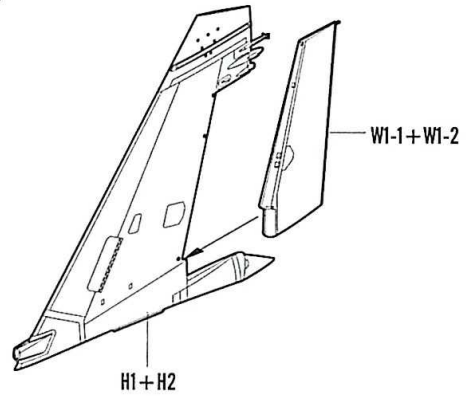
6
STEP

《右侧垂翼》
Right vertical stabilizer



7
STEP

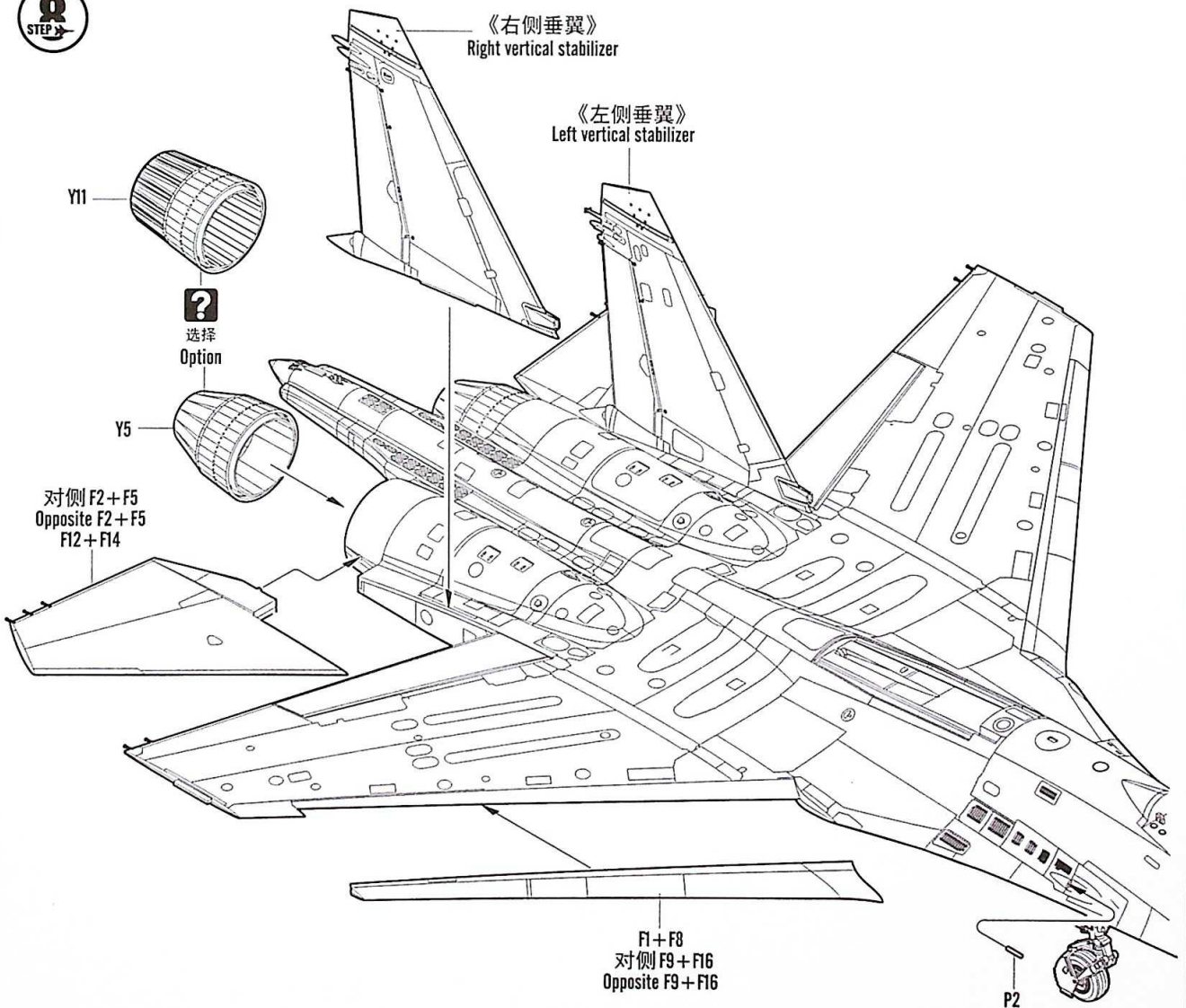
《左侧垂翼》
Left vertical stabilizer



8
STEP

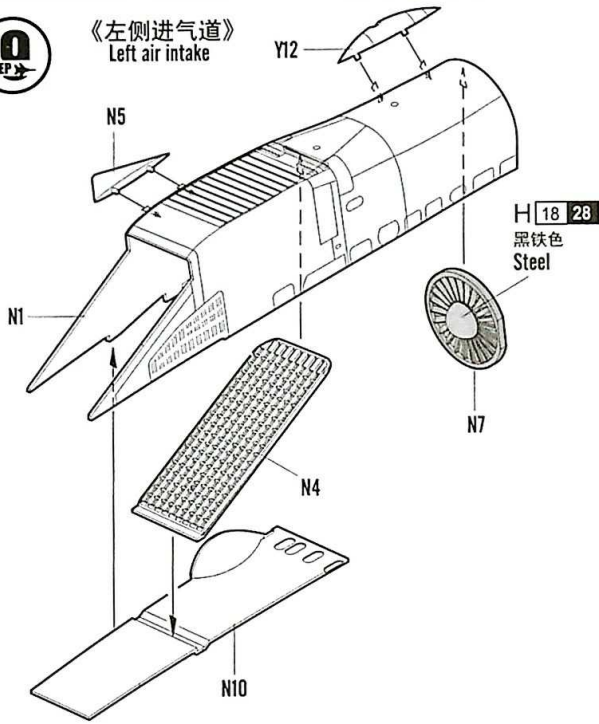
《右侧垂翼》
Right vertical stabilizer

《左侧垂翼》
Left vertical stabilizer



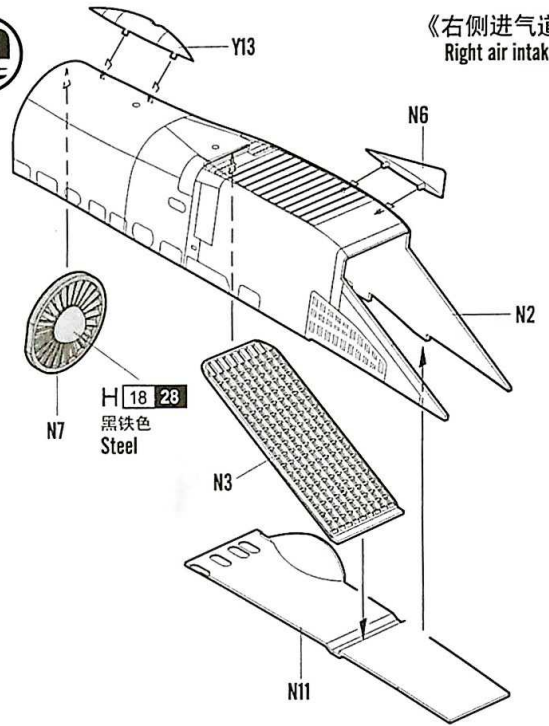
9
STEP

《左侧进气道》
Left air intake



10
STEP

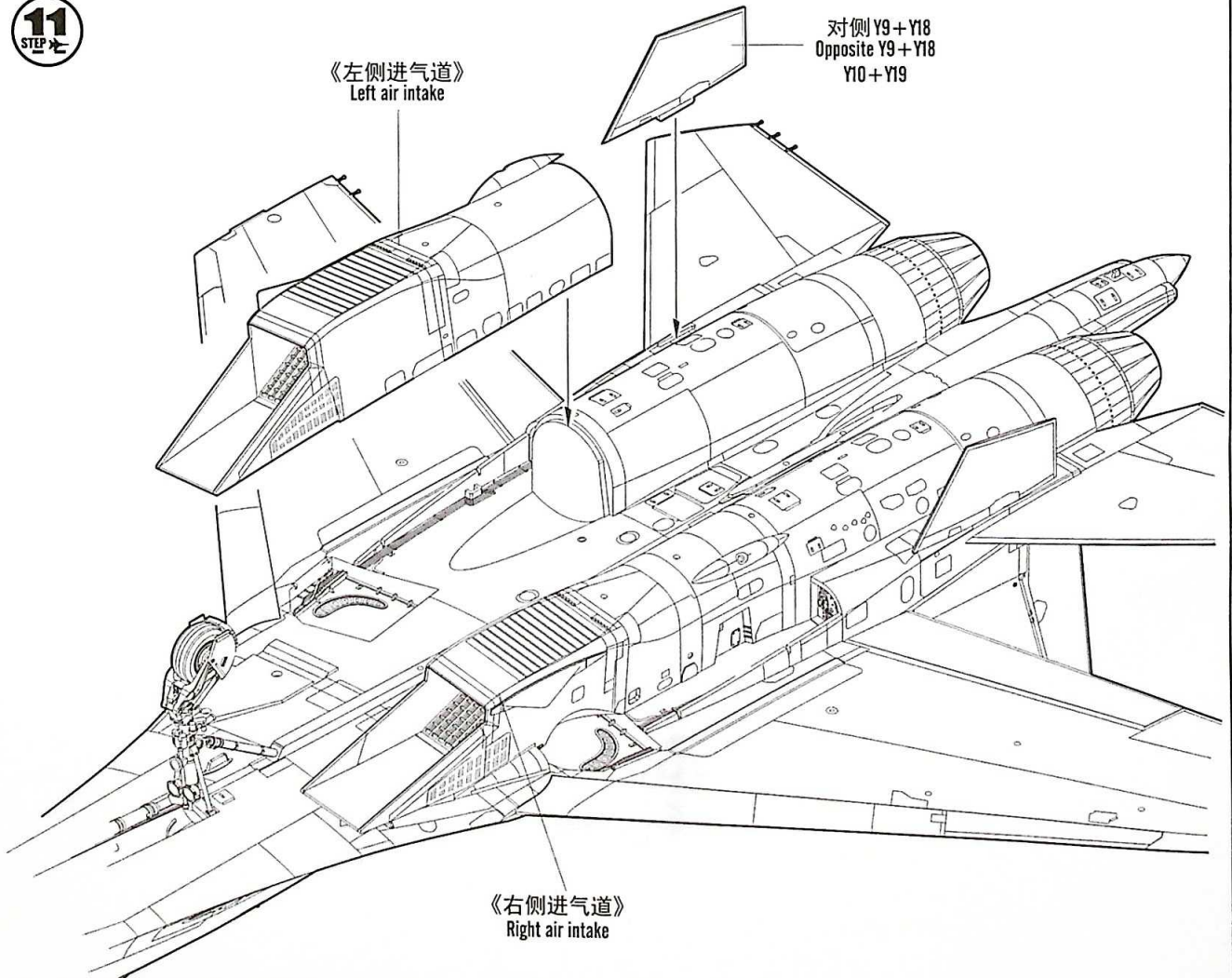
《右侧进气道》
Right air intake



11
STEP

《左侧进气道》
Left air intake

对侧 Y9 + Y18
Opposite Y9 + Y18
Y10 + Y19



《右侧进气道》
Right air intake

12
STEP

《左侧起落架》
Left undercarriage

《右侧起落架》
Right undercarriage

对侧 P5
Opposite P5
P4

P17

对侧 P10
Opposite P10
P11

P3

对侧 N8
Opposite N8
N9

对侧 P15
Opposite P15
P16

F4
对侧 F6
Opposite F6

PE2

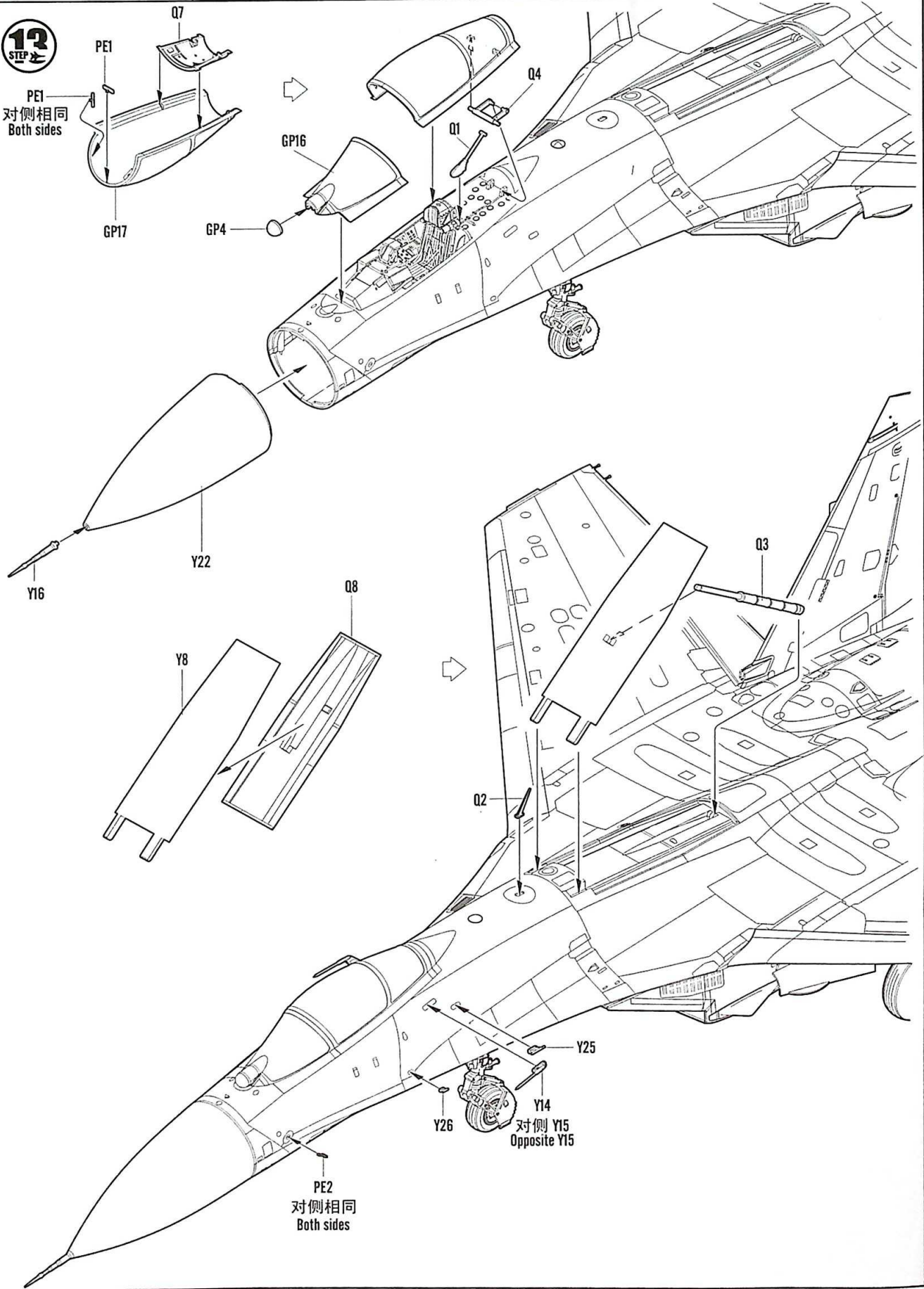
H 8 8
银色
Silver

P21

R6

13
STEP

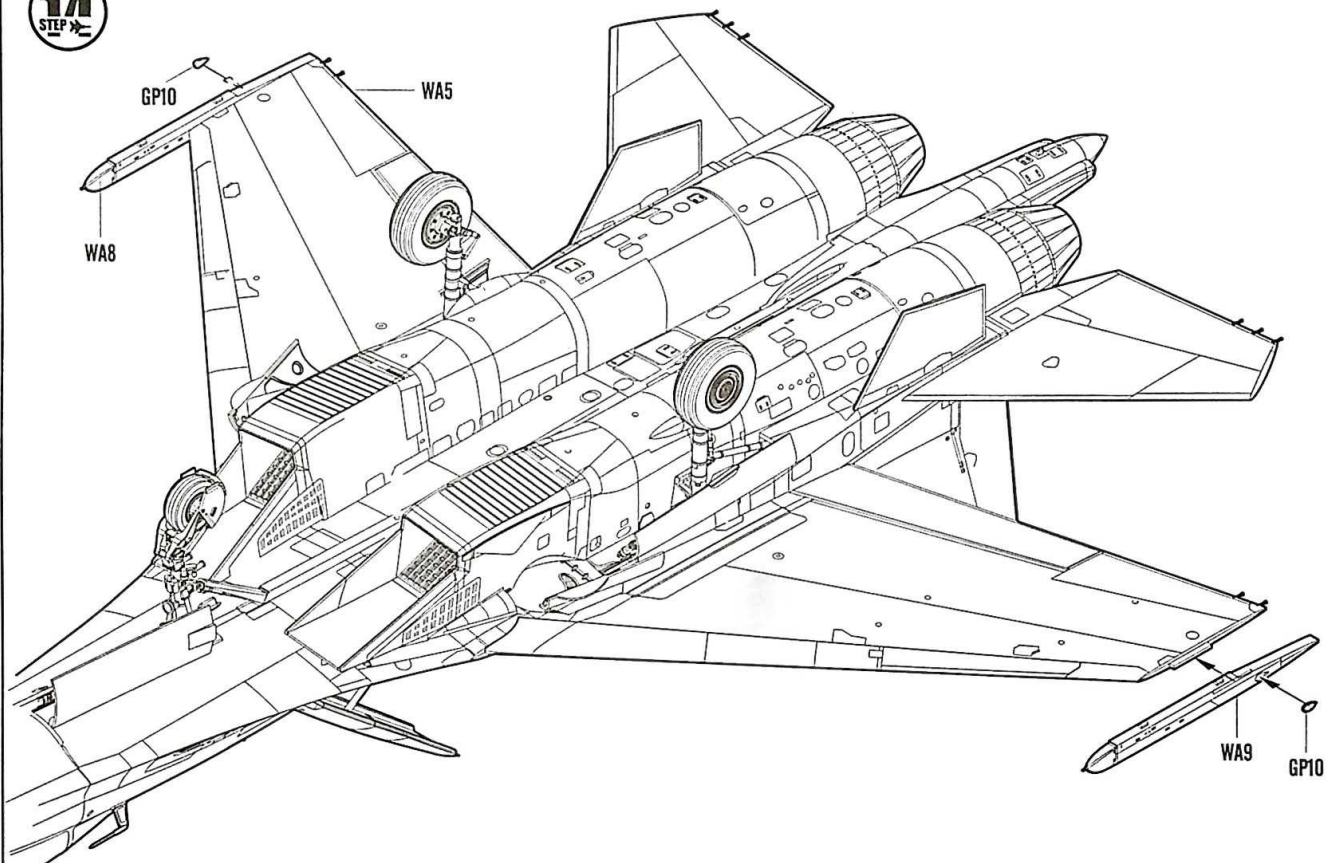
PE1
对侧相同
Both sides



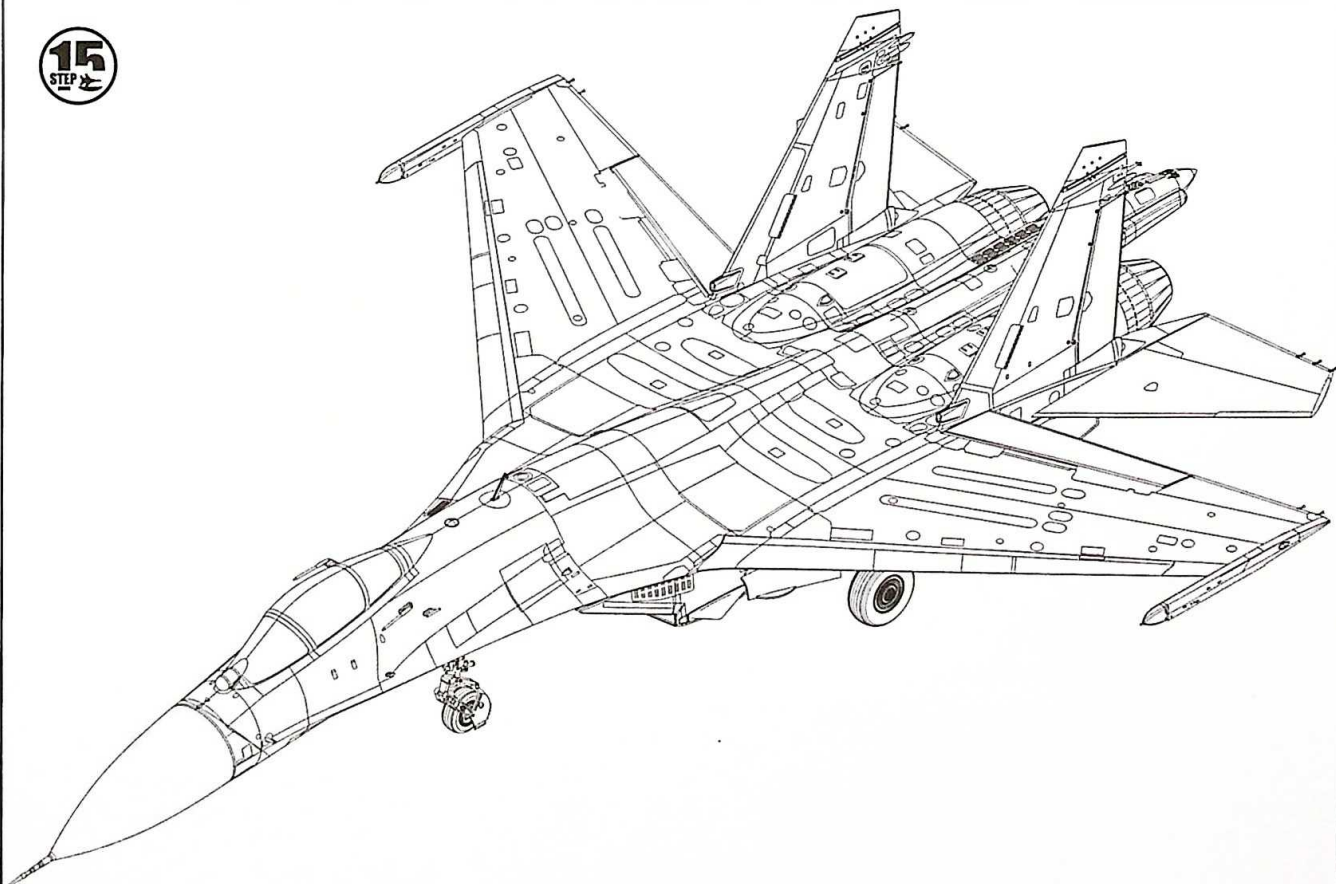
PE2
对侧相同
Both sides

Y14
对侧 Y15
Opposite Y15

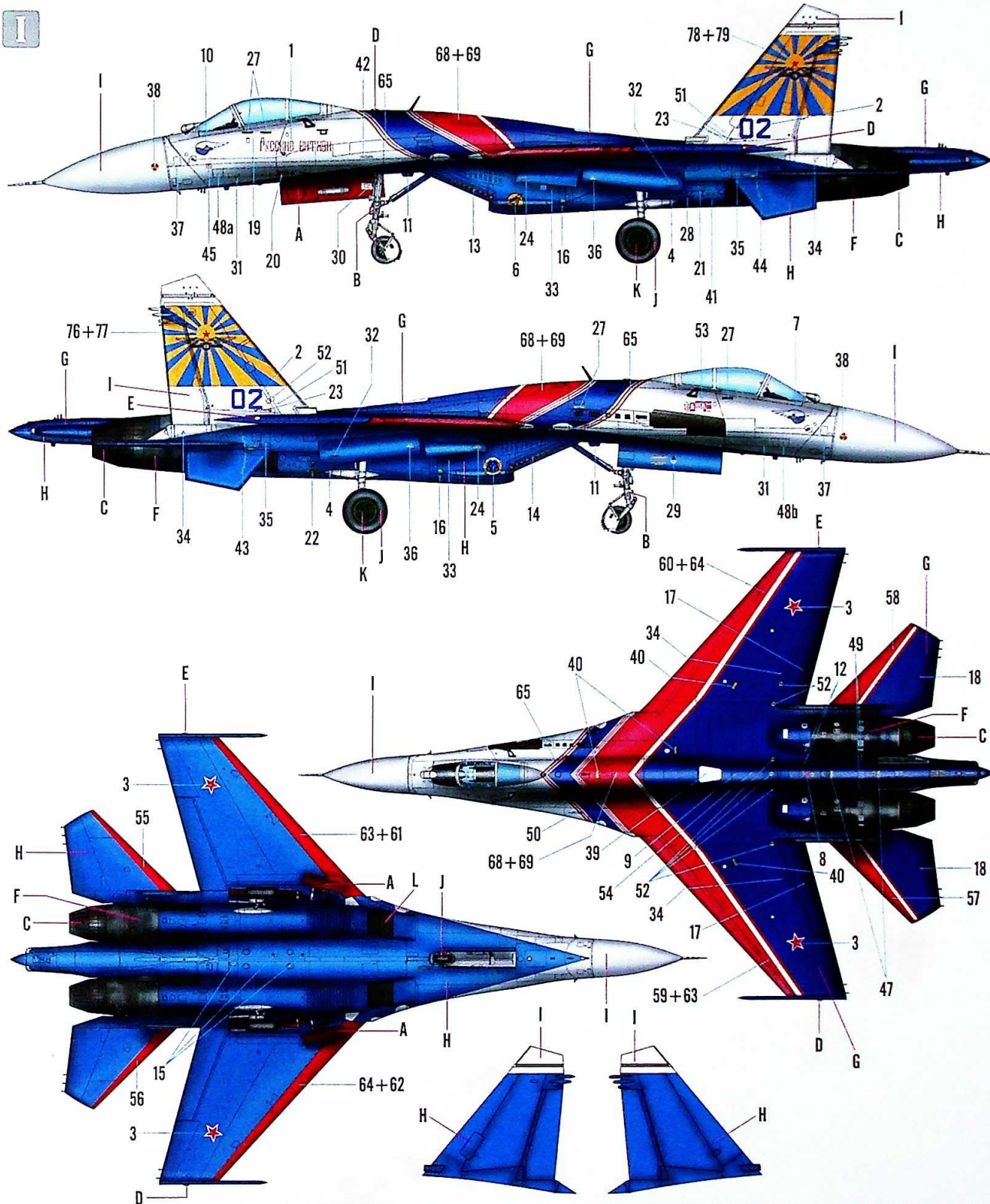
14
STEP



15
STEP



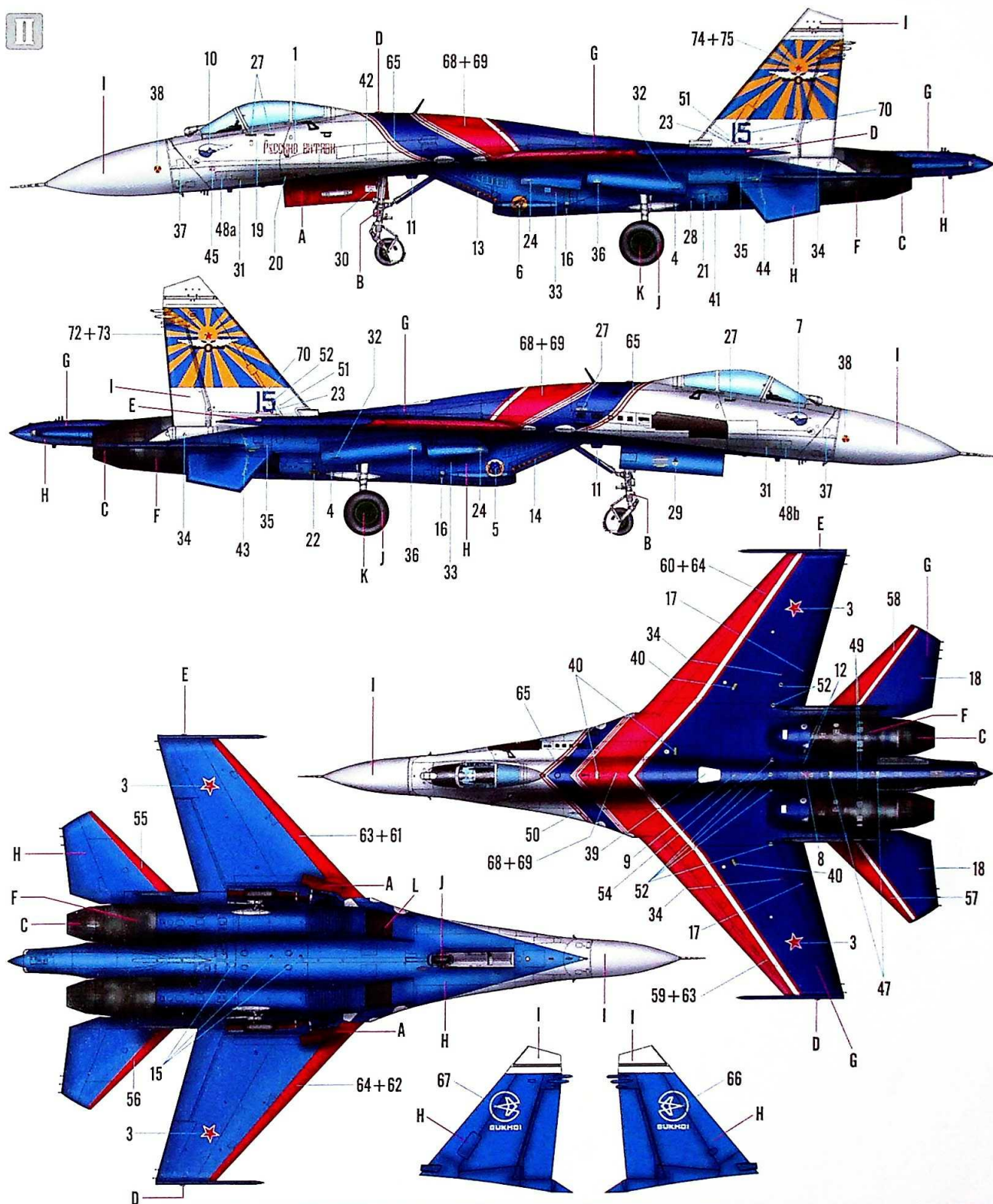




Color	Mr.Hobby	Acrycion	Vallejo	Model Master	Tamiya	Humbrol	Color	Mr.Hobby	Acrycion	Vallejo	Model Master	Tamiya	Humbrol
A 红色 Red	H 3 3	N 3	908	1503	X7	19	G 苔兰色 Dark Blue	H 322 322	N 322	--	--	--	--
B 银色 Silver	H 8 8	N 8	997	1745	X2	22	H 天蓝色 Sky Blue	H 25 34	N 25	--	--	X14	--
C 烧铁色 Burnt Iron	H 76 61	N 76	863	1795	X10	53	I 白色 White	H 1 1	N 1	842	1745	X2	22
D 透明红 Clear Red	H 90 47	N 90	934	--	X27	--	J 胎黑色 Tire Black	H 77 137	N 77	--	--	XF85	--
E 透明蓝 Clear Blue	H 93 50	N 93	938	--	X23	--	K 薄松叶色 Light Green	H 319 319	N 319	--	1713	--	117
F 黑铁色 Steel	H 18 28	N 18	864	1402	XF84	--	L 原野灰(1) Field Gray	H 32 40	N 32	830	--	XF22	111

H AQUEOUS HOBBY COLOR Mr. COLOR N ACRYSION COLOR

*Some paints may not be available in your country. Please check your local hobby shop for substitute



Color	Mr.Hobby	Acrycion	Vallejo	Model Master	Tamiya	Humbrol	Color	Mr.Hobby	Acrycion	Vallejo	Model Master	Tamiya	Humbrol
A 红色 Red	H 3 3	N 3	908	1503	X7	19	G 苔兰色 Dark Blue	H 322 322	N 322	--	--	--	--
B 银色 Silver	H 8 8	N 8	997	1745	X2	22	H 天蓝色 Sky Blue	H 25 34	N 25	--	--	X14	--
C 烧铁色 Burnt Iron	H 76 61	N 76	863	1795	X10	53	I 白色 White	H 1 1	N 1	842	1745	X2	22
D 透明红 Clear Red	H 90 47	N 90	934	--	X27	--	J 胎黑色 Tire Black	H 77 137	N 77	--	--	XF85	--
E 透明蓝 Clear Blue	H 93 50	N 93	938	--	X23	--	K 薄松叶色 Light Green	H 319 319	N 319	--	1713	--	117
F 黑铁色 Steel	H 18 28	N 18	864	1402	XF84	--	L 鹿野灰(1) Field Gray	H 32 40	N 32	830	--	XF22	111

H☐ AQUEOUS HOBBY COLOR ☒ Mr. COLOR N☒ ACRYCION COLOR

*Some paints may not be available in your country. Please check your local hobby shop for substitute