

This detail set is manufactured from photo etched brass sheet and is for use on the Modelcraft model kit.

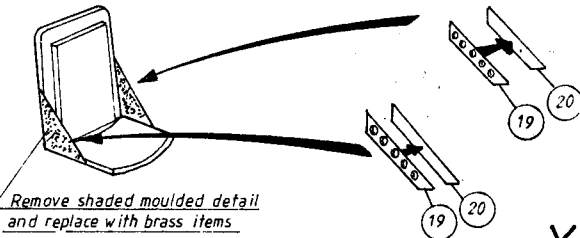
Prior to using fret wash in liquid detergent and rinse in clean water to deflux and clean parts. To separate parts support fret on a firm surface such as a ceramic tile and cut as near to the part as possible using a new sharp blade. Tag screws can be cleaned by holding part in pliers and using a fine file. To fold part support evenly up to line of fold and fold in one go using a blade for leverage. For assembly of parts use superglue or five minute epoxy. Prior to painting, prime parts using matt enamel or self etching primer. Position of parts in diagrams is for guidance only for final position and colouring consult reference material details of which are elsewhere on this sheet. Airwaves are manufactured and distributed by E.D. Models, 64 Stratford Road, Shirley, Solihull, West Midlands B90 3LT, England. Telephone - 021-744-7488 Fax - 021-733-2591

Note that only the best materials are used in the manufacture of Airwaves sets and that any waste is safely disposed of protecting the environment.

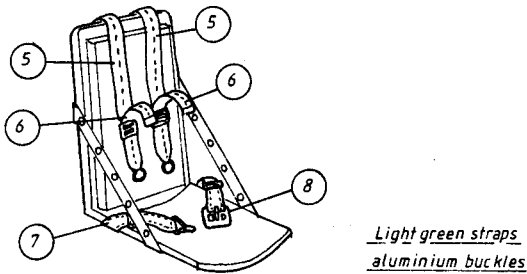
For further helpful hints to using etched brass and for full details of the extensive Airwaves range including tools and templates get a copy of the latest Airwaves illustrated catalogue.

Airwaves would like to thank Mr Larry Davis for his kind assistance during the preparation of this set.

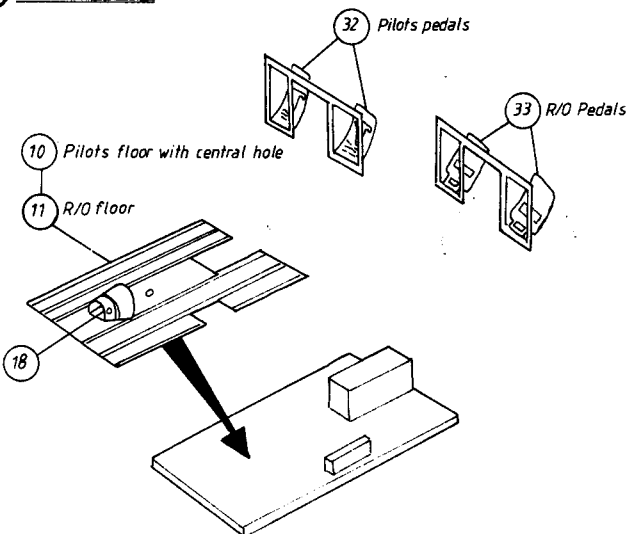
1 SEAT SUPPORT



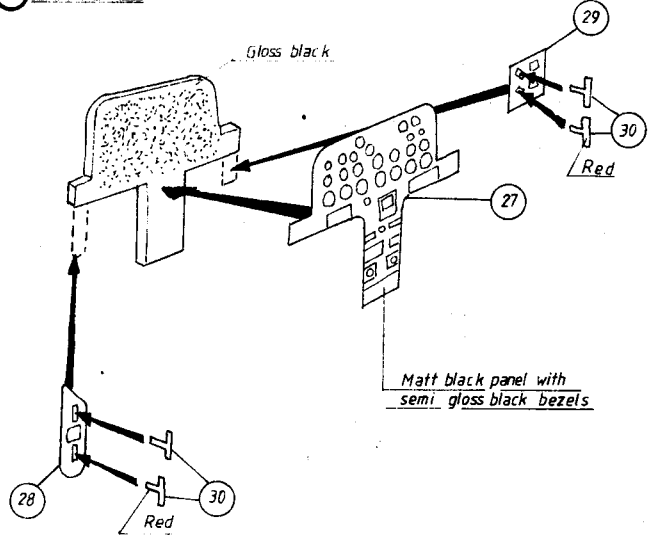
2 HARNESS



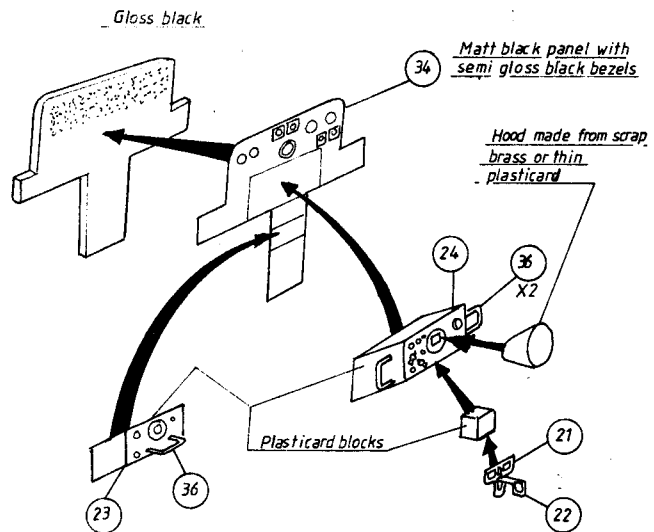
3 COCKPIT FLOORS



4 PILOTS PANEL



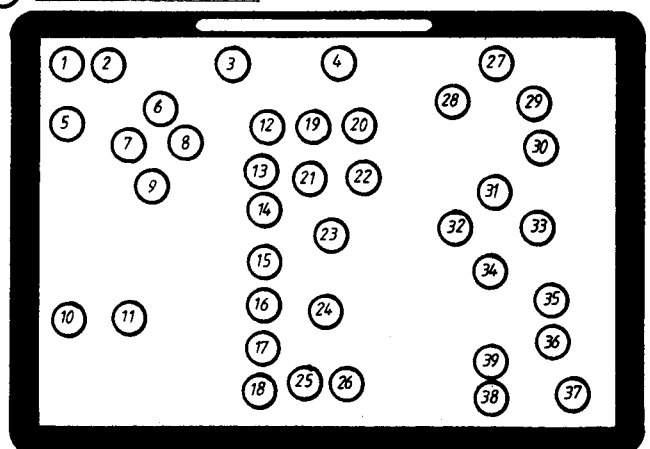
5 F-82F R/G PANEL



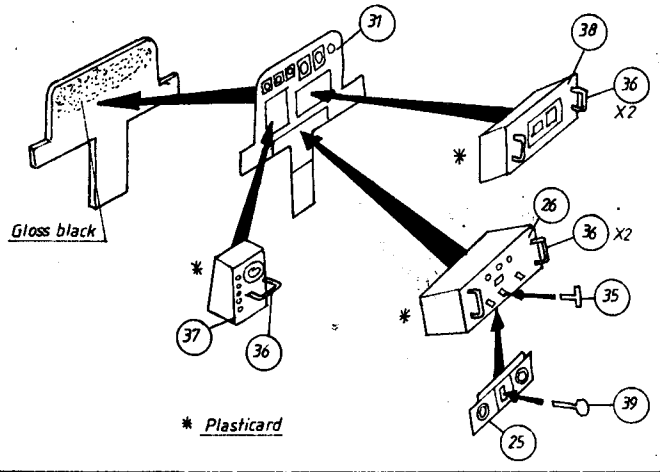
Recommended Reference

F-82 Twin Mustang, by Larry Davis, No 8, Squadron Signal Mini In Action, 1996.

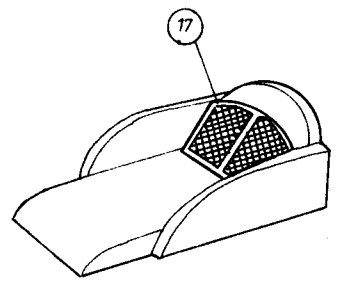
6 COMPONENT FRAME LAYOUT



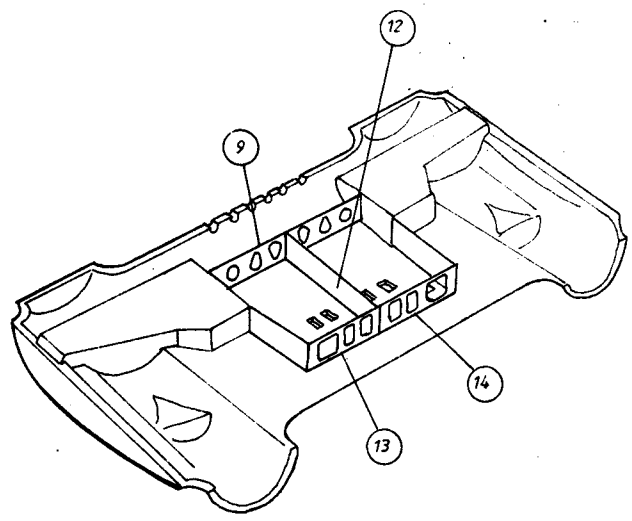
7 F-B2G R/O PANEL



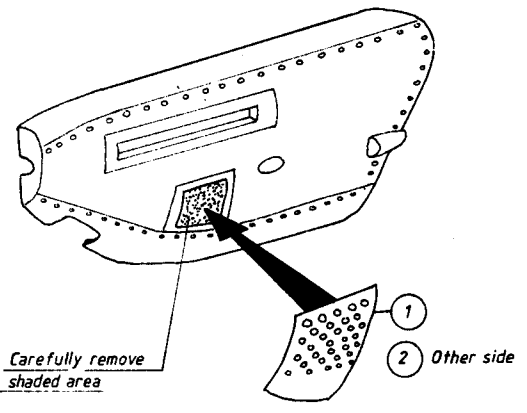
10 INTAKE GRILLE



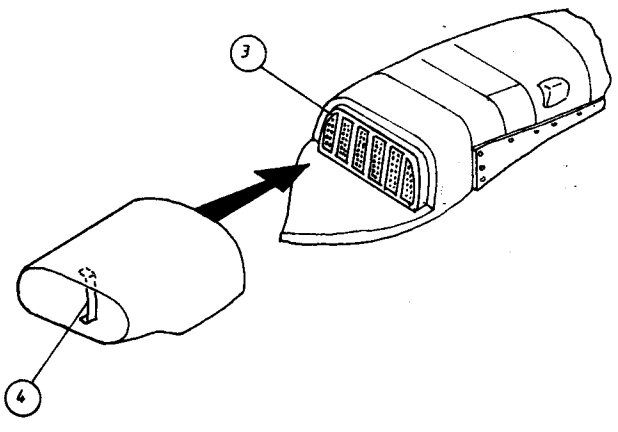
8 GUN BAY



11 NOSE GRILLES



9 RADIATOR GRILLE



12 CANOPY RAILS

